

INGERSOLL

ROTARY MOWER

J41, K41, L41, M41, N41, P41

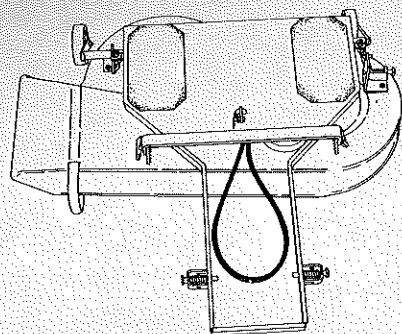
SNOWCASTER

J81, K81, L81, M81, N81, P81, R81

UTILITY BLADE G51, H51, J51

BAGGER B96

Parts Catalog No. D1232



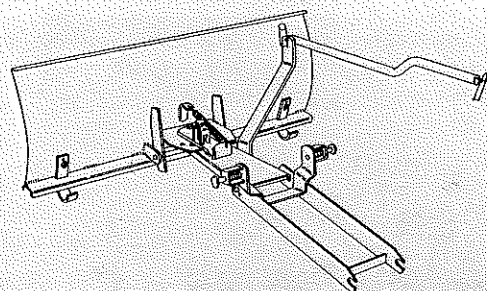
MOWER

ROTARY MOWER
 J41, K41, L41, M41, N41, P41
SNOWCASTER
 J81, K81, L81, M81, N81, P81, R81
UTILITY BLADE
 G51, H51, J51
BAGGER
 B96

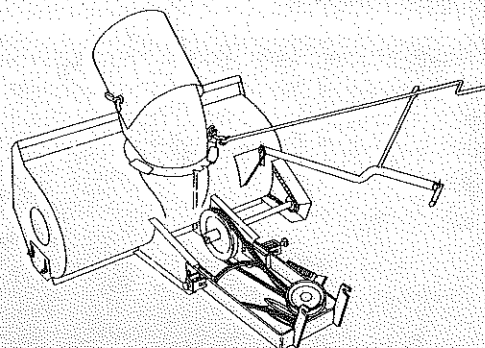
Parts Catalog No. D1232

5-85-RP-1000-139

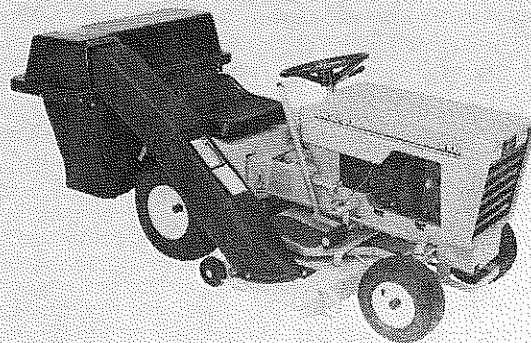
NOTE: This Parts Catalog replaces the previous Issue C1232 which is obsolete and should be discarded.



BLADE



SNOWCASTER



BAGGER

MODEL DESIGNATION

TRACTOR APPLICATION

MODEL DESIGNATION	TRACTOR APPLICATION
107	117
108	118
110	116

GENERAL INFORMATION

INDEX

There is an index at the front and rear of this catalog.

The front index is an alphabetical index of the major groups or assemblies.

The rear index is a numerical index of the part numbers and pages on which these numbers are shown.

ILLUSTRATION

Each illustration in this catalog shows a group of parts or components. These parts and components are aligned approximately as the parts and components on your machine. Each part and component in an illustration has a reference number. These reference numbers are in a list on the page opposite of the illustration. Next to the reference number is the part number, description and required quantity of the part shown in the illustration.

ABBREVIATIONS

UAR - "Use as required" indicates that the part quantity is variable.

NSS - "Not sold separately" indicates that the part is only available as a component of an assembly or the part must be purchased locally. If the part is an assembly component, the description will be indented under the assembly description in the parts list.

INDENTED DESCRIPTIONS

An assembly can have many components. The components of an assembly are indicated by an indented description. The quantity for an indented part is the total needed for that complete assembly. See the example.

PARTS ORDERS

All orders must include the following information:

1. Correct part number.
2. Complete description of part or component.
3. Total quantity of each part or component.
4. Product model number.
5. All necessary product identification numbers.
6. Method for sending the parts.
7. Complete and correct address.

CATALOG REVISIONS

As the product changes, we will send you new pages for your catalog.

IMPORTANT: Put all revisions into the catalog as soon as possible.

RIGHT HAND AND LEFT HAND IDENTIFICATION

The words right hand (RH) and left hand (LH) as used in this catalog indicate the direction while you are in the operator's seat in the normal operating position.

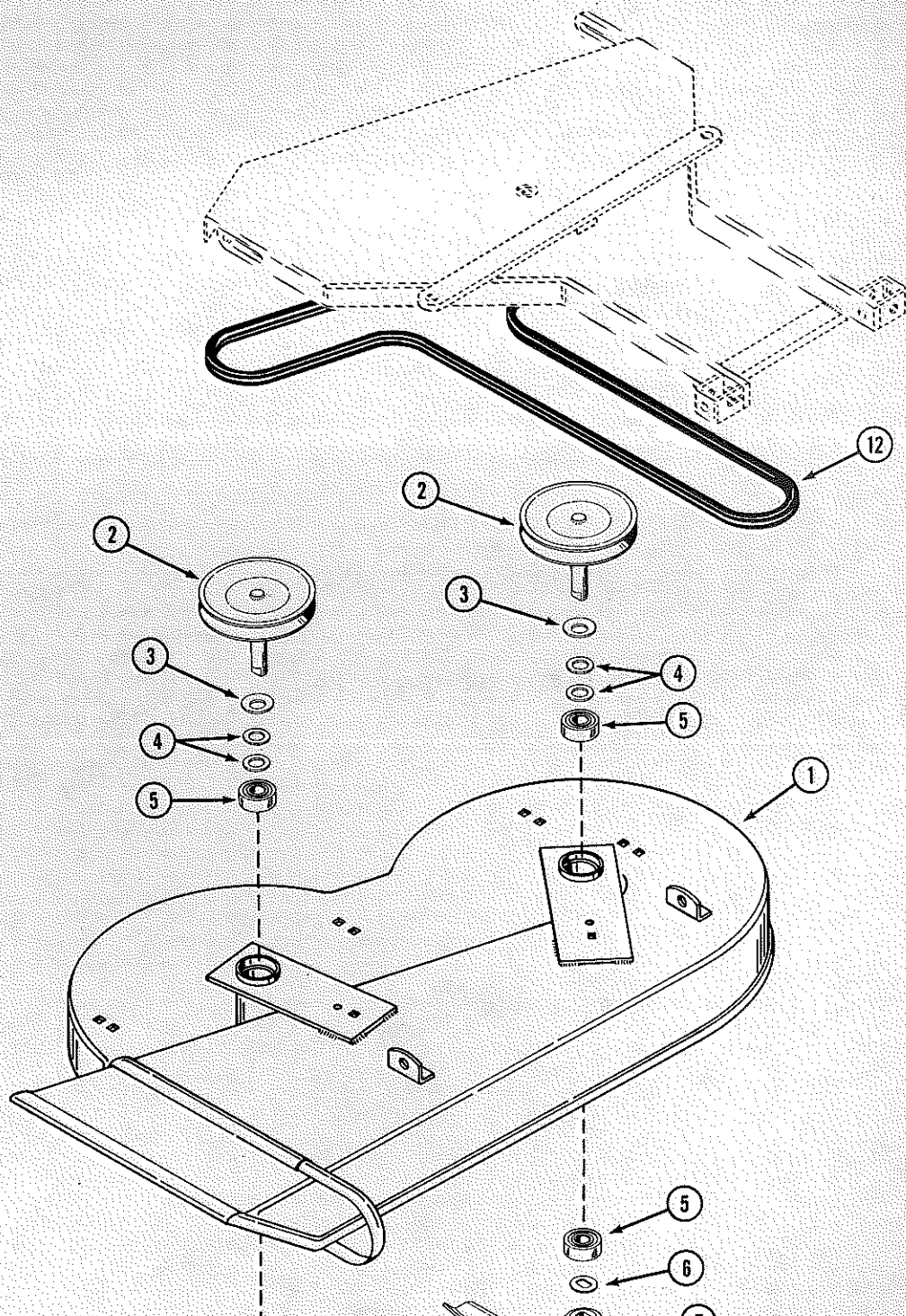
REF.	PART NO	DESCRIPTION	REQ'D
	A 55159	CYLINDER ASSY - rear steering	1

BAGGER SECTION	Page
Decals	39
Entire Parts List	37

MOWER SECTION	
Decals	39
J41	5-9
K41	11-15
L41, M41, N41	17-21
P41	23-27

SNOWCASTER SECTION	
Decals	39
Entire Parts List	29-33

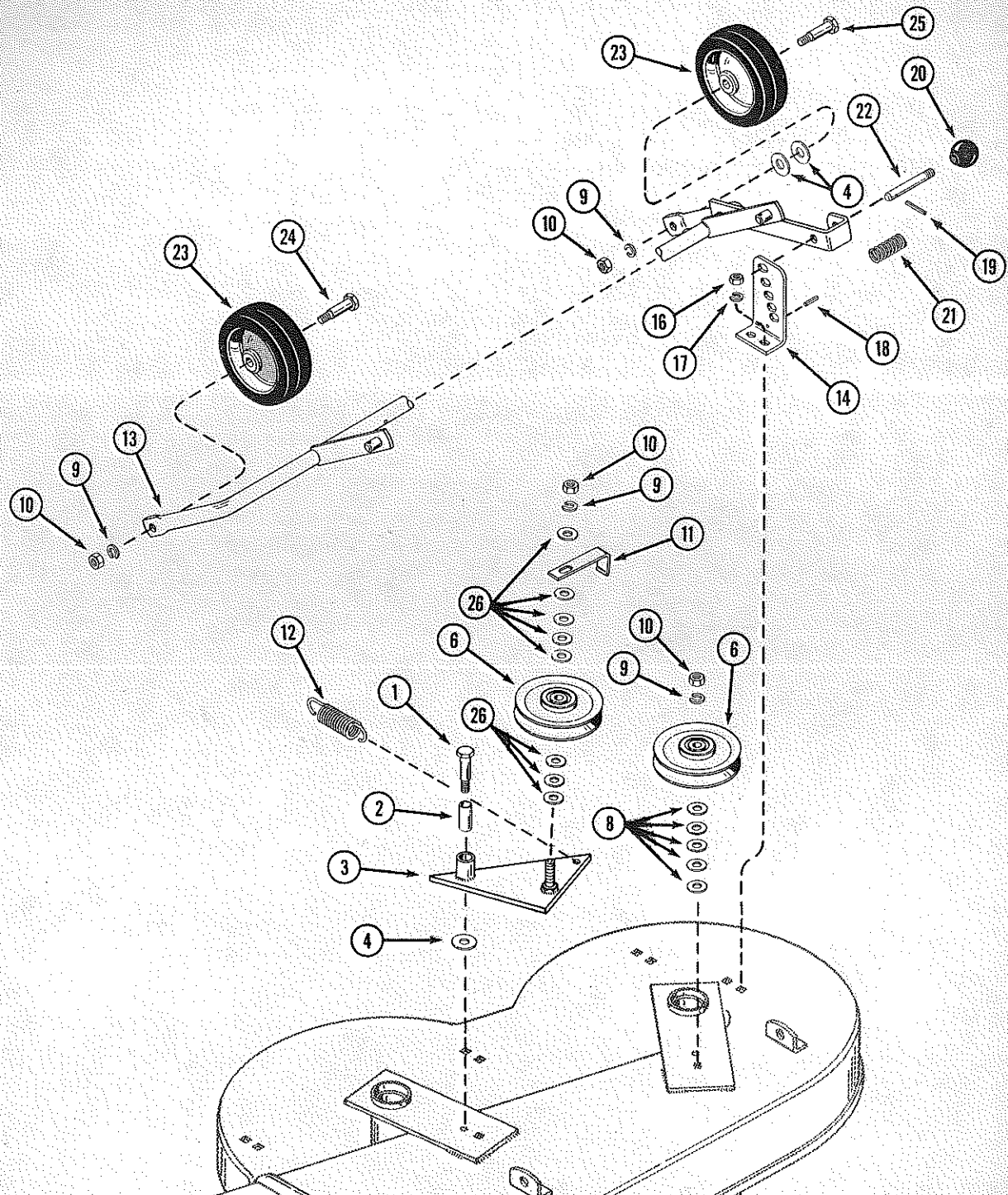
UTILITY BLADE SECTION	
Decals	39
Entire Parts List	35



DECK, BELT AND SPINDLE ASSEMBLY

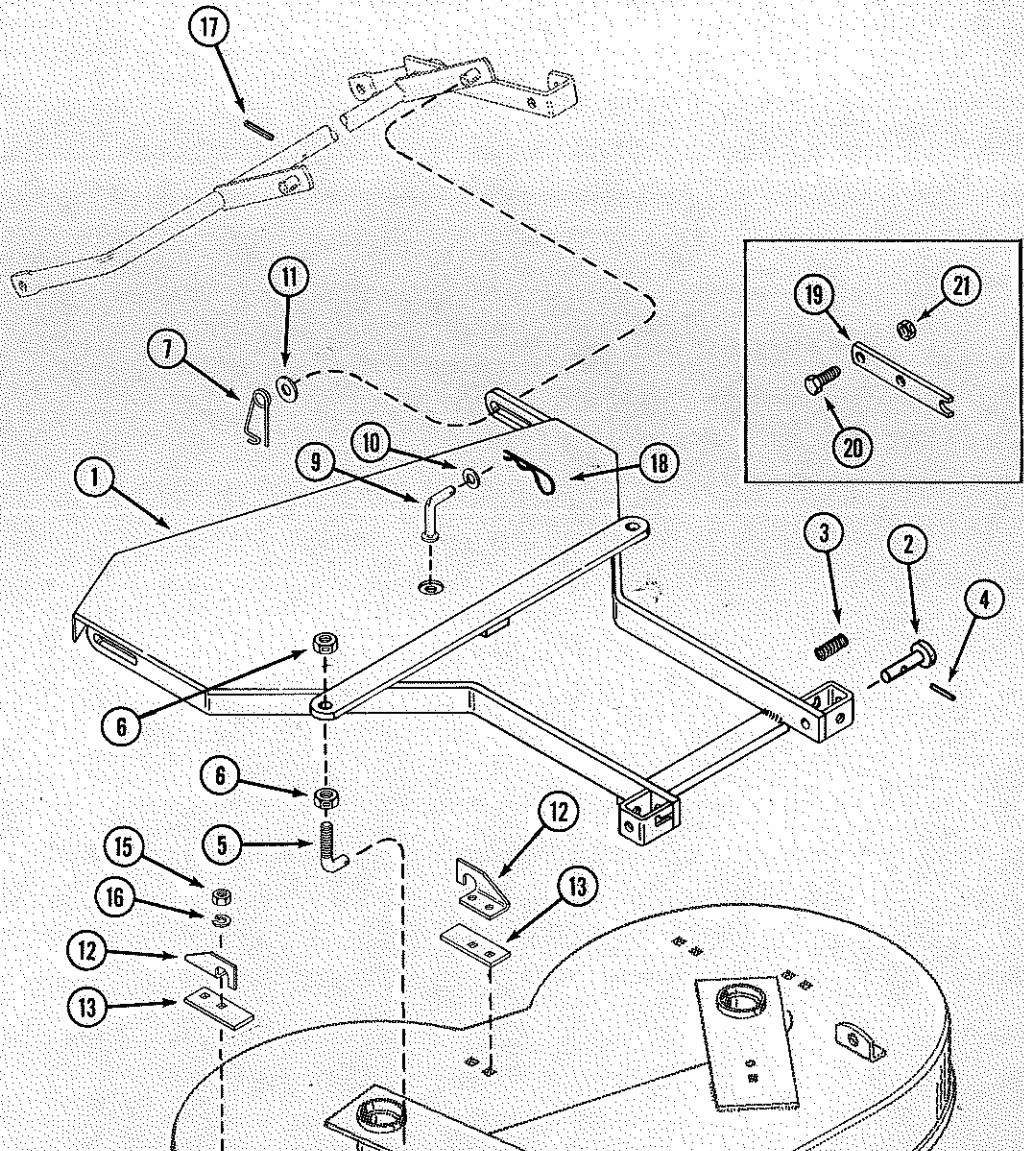
REF.	PART NO.	DESCRIPTION	REQ'D.
1	C 18905	DECK - mower 34"	1
2	C 17155	SPINDLE ASSEMBLY	2
3	C 15272	WASHER - spring	2
4	C 28972	WASHER - spindle	4
5	C 28971	BEARING - spindle	4
6	C 16719	WASHER - special, spindle	2
7	NSS	ADAPTER - spindle (use C25542 and C25544)	2
8	C 24797	BLADE - 17-1/4"	2
9	195- 2037	WASHER - 7/16" x 2" OD	2
10	192- 6	LOCKWASHER - 3/8"	2
11	113- 207	BOLT - 3/8 x 1" NC hex	2
12	C 17083	BELT - mower drive	1

2 - # 2 C17155 spindle assys
 2 - # 6 C 16719 washers
 belt



WHEELS, AXLE AND IDLERS

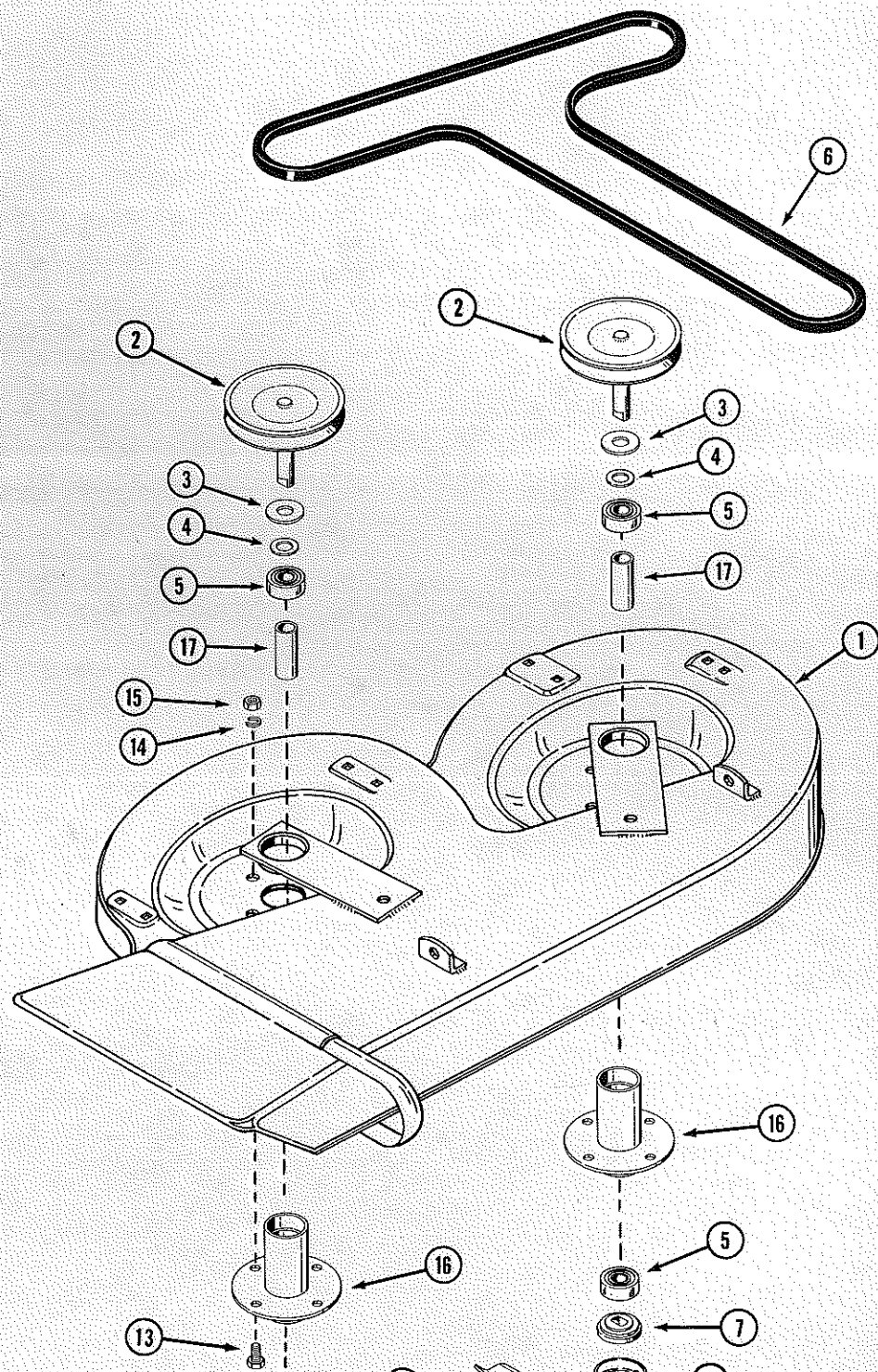
REF.	PART NO.	DESCRIPTION	REQ'D.
1	C 16745	BOLT - shoulder 3/8"	1
2	C 16714	BUSHING - idler arm	1
3	C 19084	ARM - idler	1
4	195- 533	WASHER - 1/2"	3
5	131- 178	NUT - lock 3/8" NC hex	1
6	C 17274	PULLEY - idler	2
7	111- 330	BOLT - 3/8" x 1-3/4" rd. hd. square neck	1
8	195- 103	WASHER - 3/8"	5
9	192- 21	LOCKWASHER - 3/8"	4
10	129- 103	NUT - 3/8" NC hex	4
11	C 17761	KEEPER - belt	1
12	C 15677	SPRING - idler arm	1
13	C 18899	AXLE - mower	1
14	C 16077	BRACKET - height adjust	1
15	111- 203	BOLT - 5/16" x 1" rd. hd. square neck	2
16	129- 102	NUT - 5/16" NC hex	2
17	192- 20	LOCKWASHER - 5/16"	2
18	138- 92	PIN - roll 3/16" x 3/4"	1
19	138- 77	PIN - roll	1
20	C 15618	KNOB - height adjust	1
21	C 10482	SPRING	1
22	C 15942	PIN - locking	1
23	C 26736	WHEEL - mower	2
24	C 16745	BOLT - shoulder, R.H.	1
25	C 14966	BOLT - shoulder, L.H.	1
26	195- 525	WASHER - 13/32"	8



AXLE MOUNTING AND LIFT ASSEMBLY

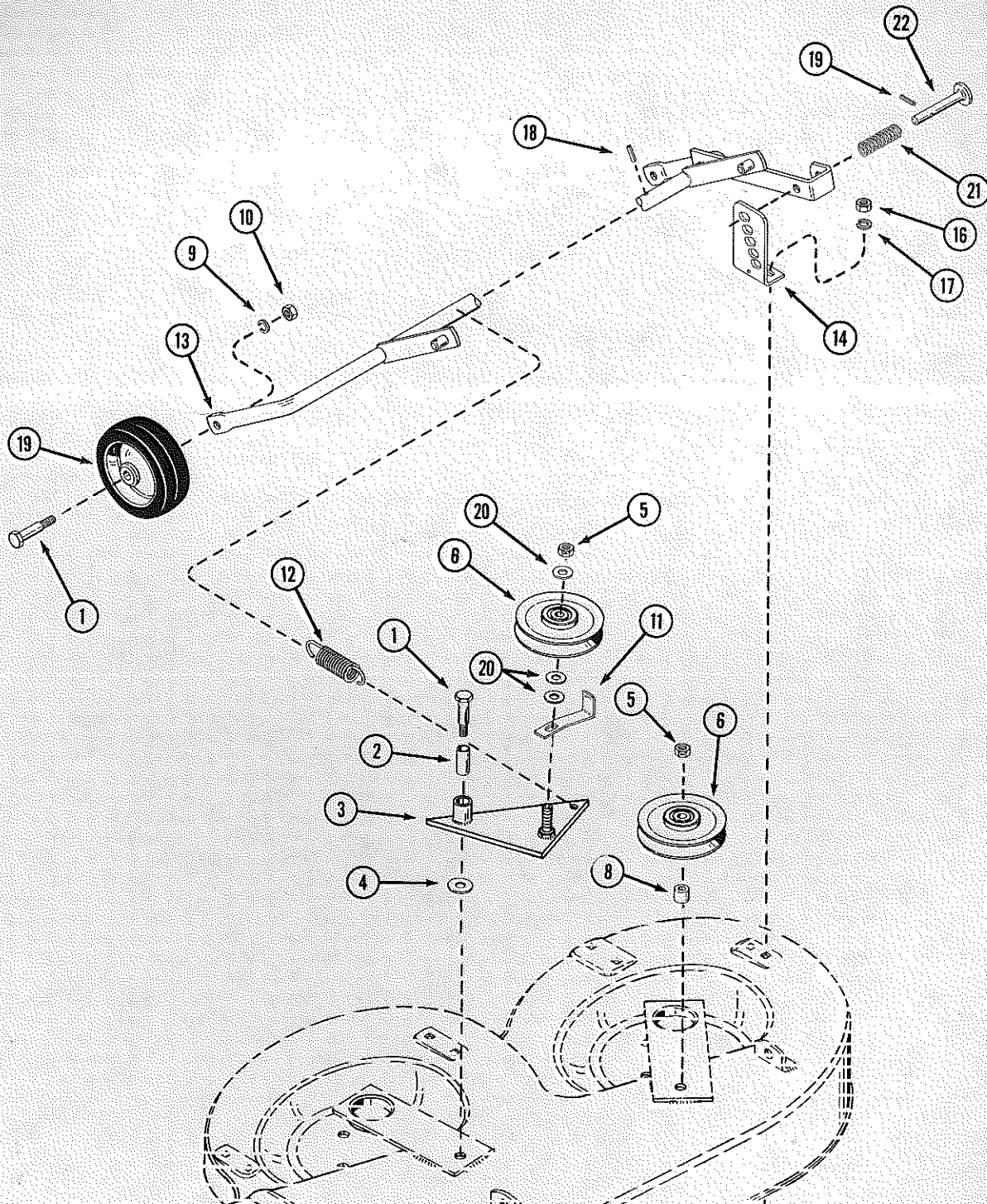
REF.	PART NO.	DESCRIPTION	REQ'D.
1	C 19456	BRACKET - lift assembly	1
2	C 15278	PIN - latch	2
3	C 10482	SPRING - latch	2
4	138- 2073	PIN - roll 3/16" x 1-1/4"	2
5	C 19088	"J" BOLT - adjusting	2
6	131- 1100	NUT - lock 1/2" NC hex	4
7	C 10898	PIN - safety	4
8	195- 529	WASHER - 7/16"	2
9	C 20006	PIN - lift	1
10	195- 525	WASHER - 3/8"	1
11	195- 106	WASHER - 1/2"	2
12	C 15351	BRACKET - axle mounting	3
13	C 15352	SPACER - axle	3
14	111- 203	BOLT - 5/16" x 1" rd. hd. square neck	6
15	129- 102	NUT - 5/16" NC hex	6
16	192- 20	LOCKWASHER - 5/16"	6
17	138- 96	PIN - roll 3/16" x 1"	1
18	C 16450	PIN - hair	1
19	C 27231*	BRACKET - lift adaptor	1
20	113- 207*	BOLT - 3/8" - 16 x 1" grade 5	1
21	131- 1181*	NUT - 3/8" - 16 lock	1

* Required to mount J41 mower
on tractors S/N and after:
108 - 14031940
110 - 14032840
116 - all



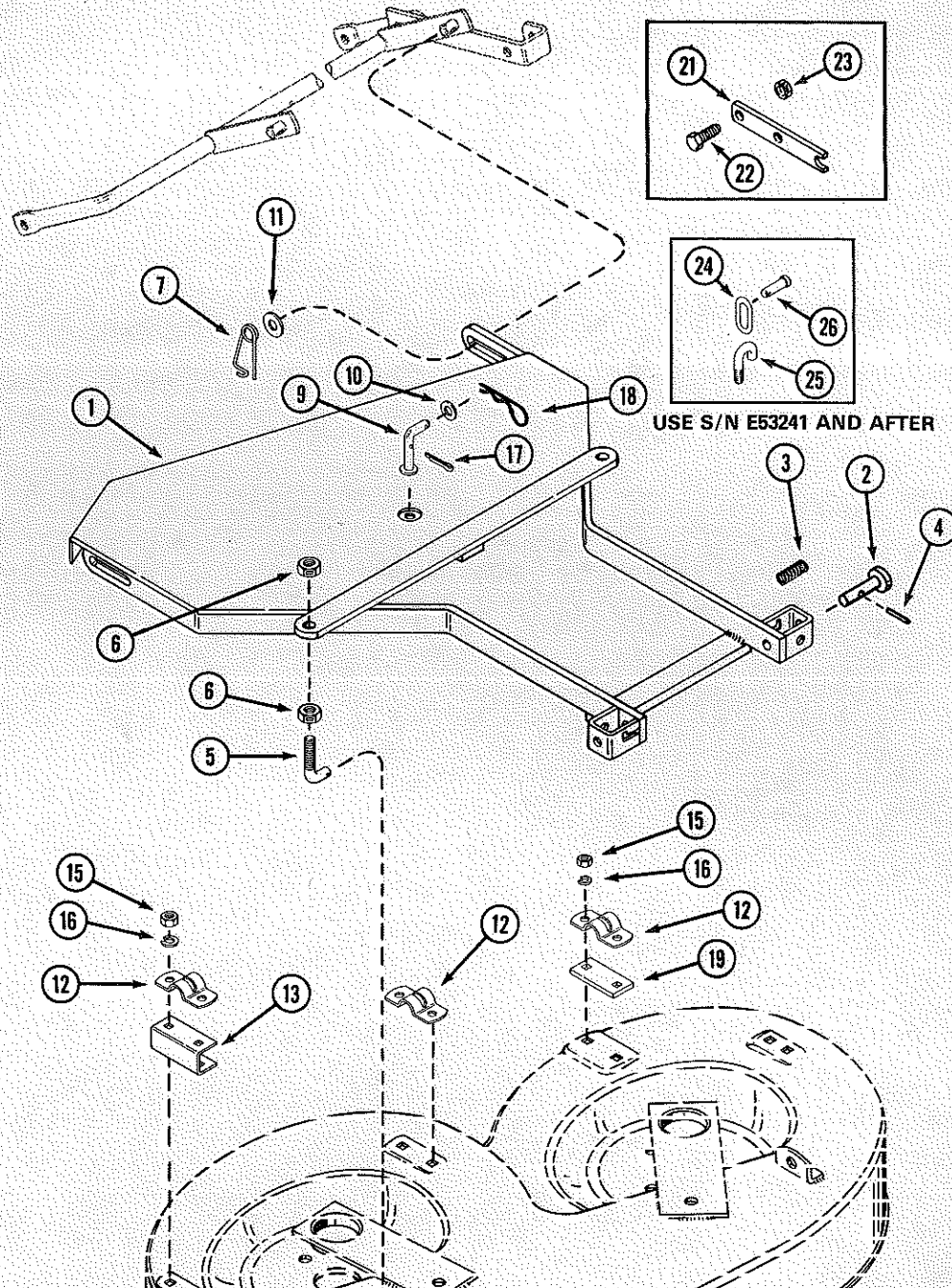
DECK, BELT AND SPINDLE ASSEMBLY

REF.	PART NO.	DESCRIPTION	REQ'D.
1	C 19457	DECK - mower 34"	1
2	C 17155	SPINDLE ASSEMBLY	2
3	C 10942	WASHER - spacer	2
4	C 28972	WASHER - spindle	4
5	C 28971	BEARING - spindle	4
6	C 17083	BELT - drive	1
7	C 25542	ADAPTER - spindle (also requires item 18 if not installed)	2
8	C 24797	BLADE - 17-1/4"	2
9	195- 2037	WASHER - 7/16" x 2" OD	2
10	192- 21	LOCKWASHER - 3/8"	2
11	113- 207	BOLT - 3/8 x 1" NC hex	2
12	C 17083	BELT - mower drive	1
13	113- 206	BOLT - 3/8 x 3/4" NC hex	8
14	192- 21	LOCKWASHER - 3/8"	8
15	129- 103	NUT - 3/8" NC hex	8
16	C 20009	HOUSING - spindle	2
17	C 21519	SPACER - spindle	2
18	C 25544	SHIELD - bearing	2



WHEELS, AXLE AND IDLERS

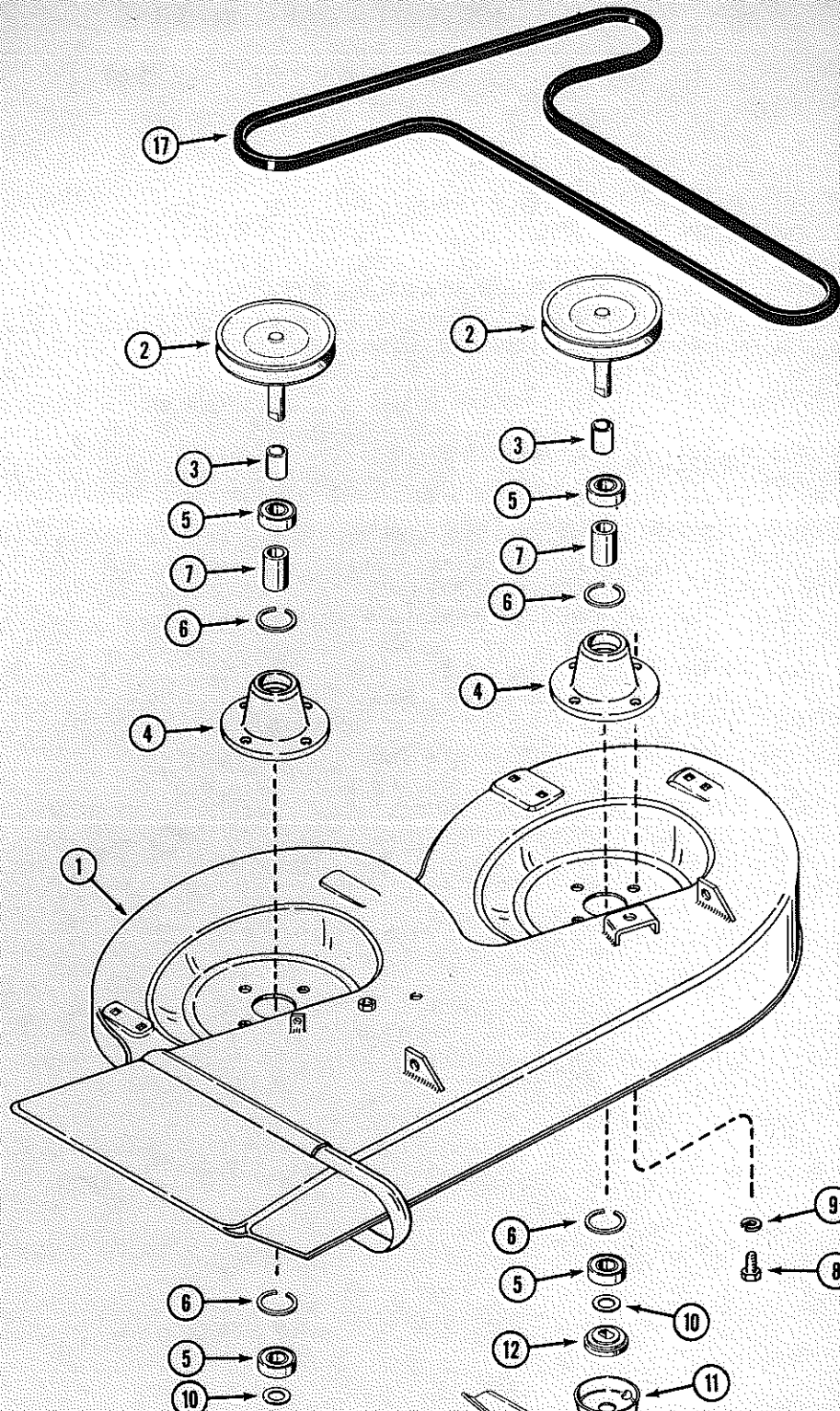
REF.	PART NO.	DESCRIPTION	REQ'D.
1	C 16745	BOLT - shoulder 3/8"	3
2	C 16714	BUSHING - idler arm	1
3	C 20016	ARM - idler	1
4	195- 533	WASHER - 1/2"	3
5	131- 1181	NUT - lock 3/8" NC hex	3
6	C 17274	PULLEY - idler	2
7	12- 632	BOLT - 3/8" x 2" rd. hd. square neck	1
8	C 20017	SPACER - idler pulley	1
9	192- 21	LOCKWASHER - 3/8"	2
10	129- 103	NUT - 3/8" NC hex	2
11	C 20013	KEEPER - belt	1
12	C 15677	SPRING - idler	1
13	C 19273	AXLE - mower	1
14	C 19259	BRACKET - height adjust	1
15	111- 203	BOLT - 5/16" x 1" rd. hd. square neck	2
16	129- 102	NUT - 5/16" NC hex	2
17	192- 20	LOCKWASHER	2
18	138- 96	PIN - roll 3/16" x 1"	2
19	C 26736	WHEEL - mower	2
20	195- 525	WASHER - 13/32 x 13/16" O.D.	3
21	C 10482	SPRING - locking pin	1
22	C 20005	PIN - locking	1



AXLE MOUNTING AND LIFT ASSEMBLY

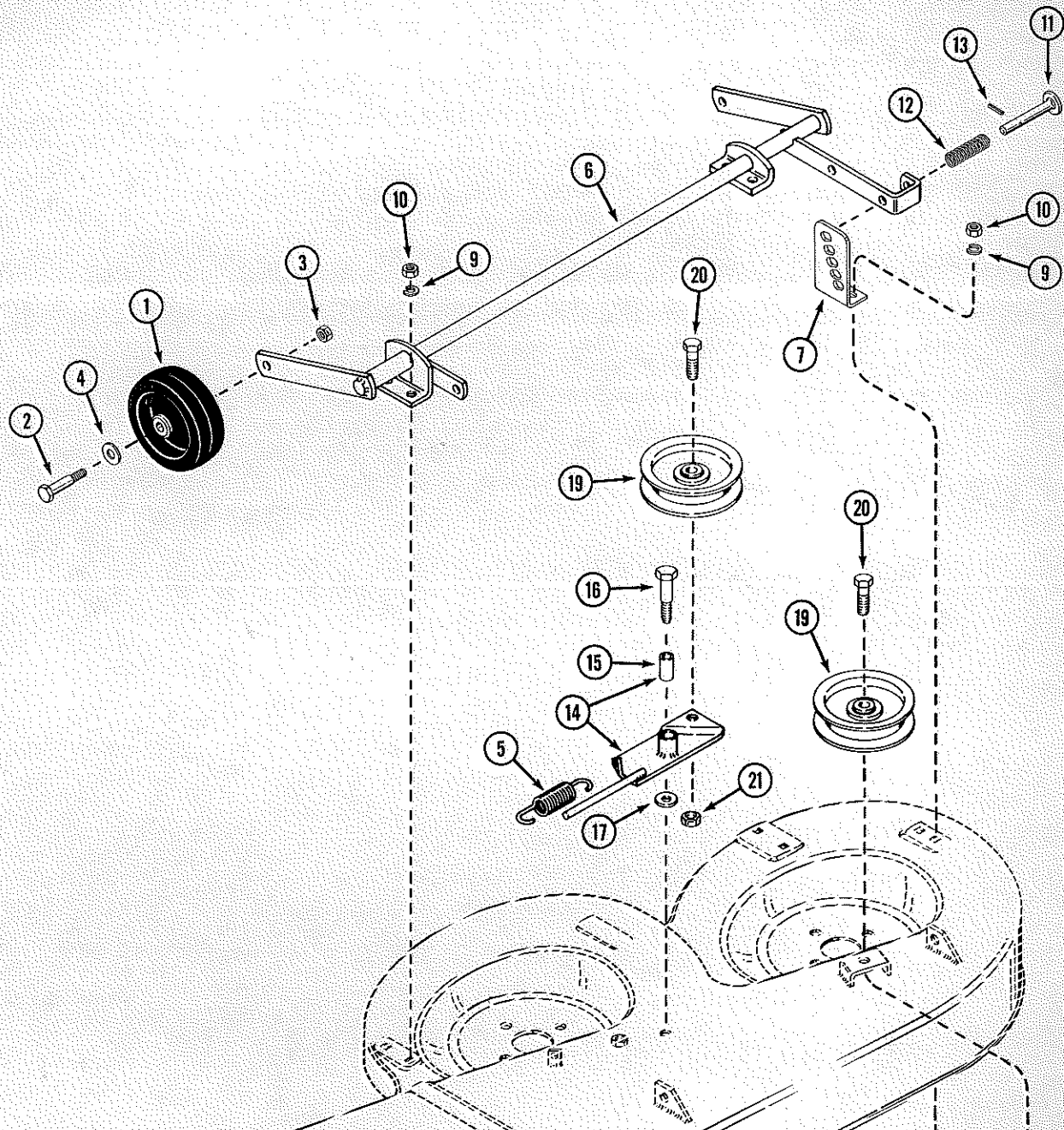
REF.	PART NO.	DESCRIPTION	REQ'D.
1	C 19456	BRACKET - lift assembly	1
2	C 15278	PIN - latch	2
3	C 10482	SPRING - latch	2
4	138- 2073	PIN - roll 3/16" x 1-1/4"	2
5	C 19088	"J" BOLT - adjusting	2
6	131- 1181	NUT - lock 1/2" NC hex	4
7	C 10898	PIN - safety	4
8	195- 529	WASHER - 7/16"	2
9	C 20006	PIN - lift	1
10	195- 525	WASHER - 3/8"	1
11	195- 106	WASHER - 1/2"	2
12	C 18029	BRACKET - saddle	3
13	C 20007	SPACER - axle 1-1/4"	3
14	111- 202	BOLT - 5/16" x 3/4" rd. hd. square neck	4
15	129- 102	NUT - 5/16" NC hex	8
16	192- 20	LOCKWASHER - 5/16"	8
17	138- 320	PIN - cotter 3/16" x 3/4"	1
18	C 16450	PIN - hair	1
19	C 20008	SPACER - axle 1/4"	1
20	111- 207	BOLT - 5/16" x 2" round head sq. neck	2
21	C 27231*	BRACKET - lift adaptor	1
22	113- 207*	BOLT - 3/8" - 16 x 1 grade 5	1
23	131- 1181*	NUT - 3/8" - 16 lock	1
24	C 25872	LINK - lift	1
25	C 25871	BOLT - "J" lift	1
26	141- 4	PIN - clevis 3/8"	1

* Required to mount K41 mower
on tractors S/N and after:
108 - 14031940
110 - 14032840
116 - all



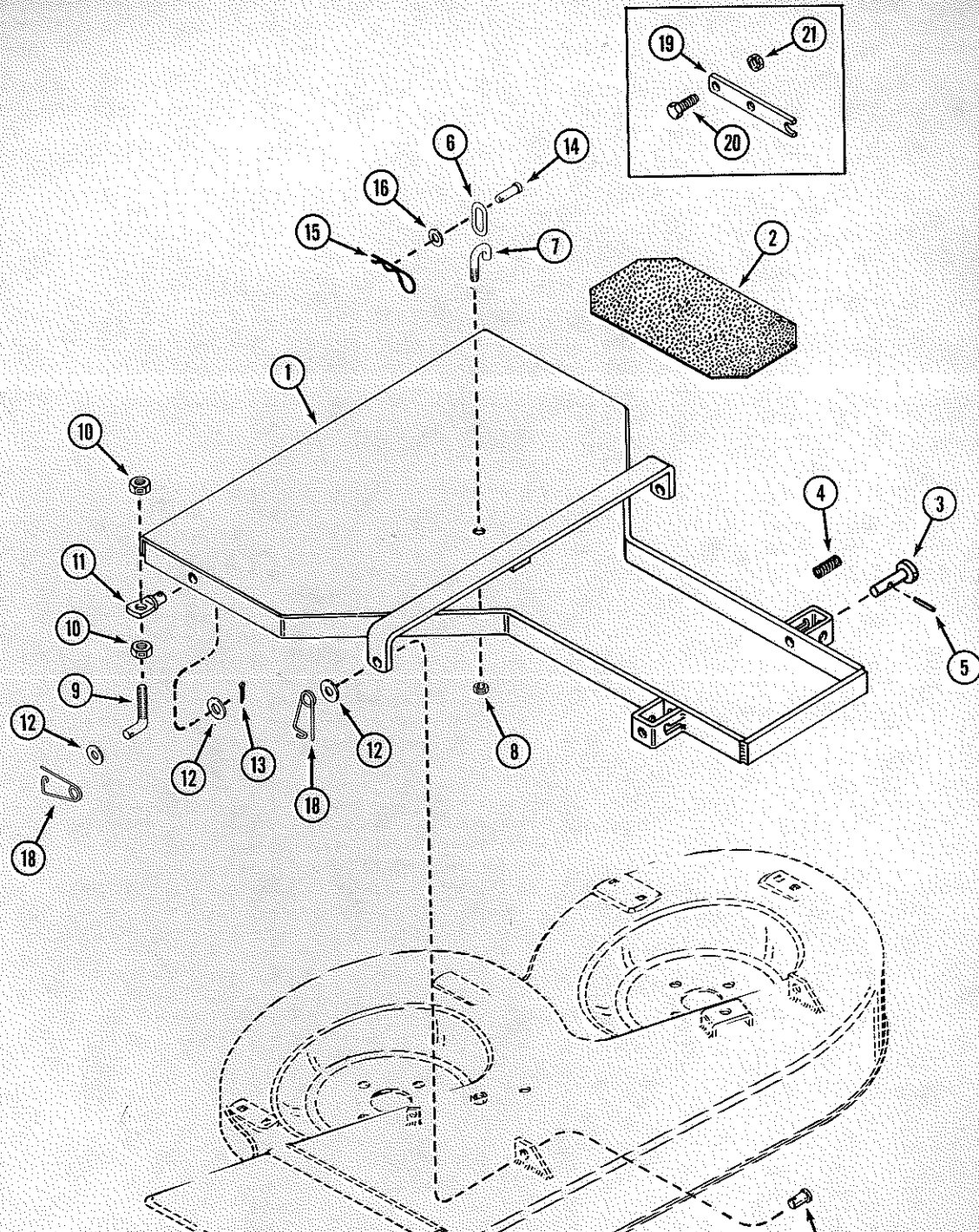
DECK, BELT AND SPINDLE ASSEMBLY

REF.	PART NO.	DESCRIPTION	REQ'D.
1	C 26071	DECK - mower	1
2	C 26076	SPINDLE - mower	2
3	C 28276	SPACER - sleeve	2
4	C 17666	HOUSING - spindle (also requires [2] A63279 S/N EE 11122 and after)	2
5	C 28971	BEARING - spindle	4
6	C 16516	RING - retaining (service part)	4
7	C 10810	SPACER - bearing	2
8	113- 206	BOLT - 3/8" - 16 x 3/4"	8
9	192- 21	LOCKWASHER - 3/8"	8
10	C 25541	SPACER - washer	2
11	C 25544	SHIELD - bearing	2
12	C 25542	ADAPTOR - spindle	2
13	C 24797	BLADE - 17-1/4"	2
14	195- 2037	WASHER - 7/16" x 2"	2
15	192- 21	LOCKWASHER - 3/8"	2
16	113- 207	BOLT - 3/8" - 16 x 1"	2
16	113- 233	BOLT - 3/8" - 16 x 1-3/4"	2
17	C 26097	BELT - drive	1



WHEELS, AXLE AND IDLERS

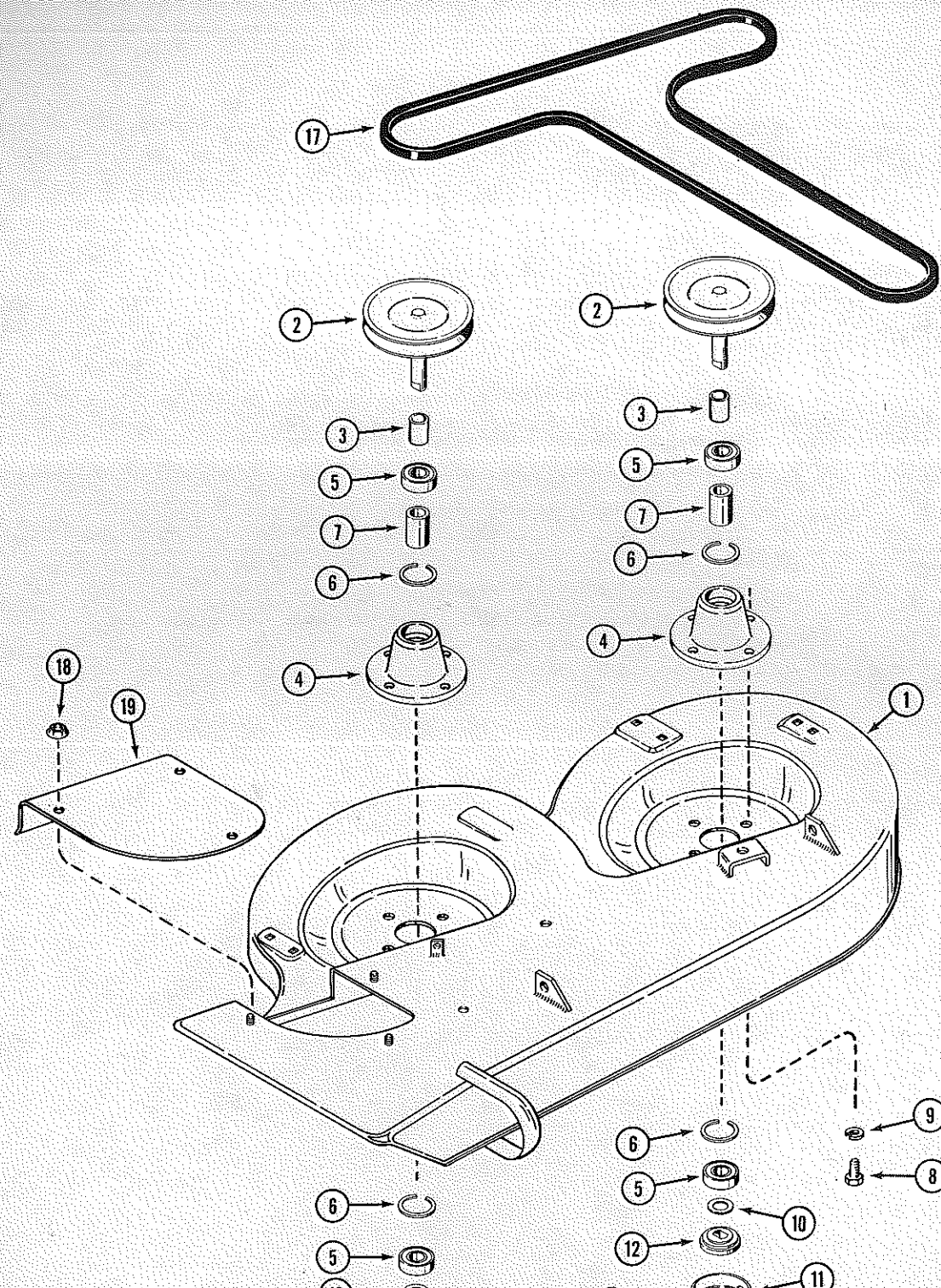
REF.	PART NO.	DESCRIPTION	REQ'D.
1	C 26736	WHEEL - gauge	2
2	C 16745	BOLT - shoulder	2
3	131- 1181	NUT - 3/8" lock	2
4	195- 533	WASHER - 1/2"	2
5	C 14482	SPRING - tension	1
6	C 26078	AXLE - mower	1
7	C 26086	BRACKET - height adjust	1
8	111- 132	BOLT - 5/16" - 18 x 3/4" carriage	6
9	192- 20	LOCKWASHER - 5/16"	6
10	129- 102	NUT - 5/16" - 18 hex	6
11	C 20005	PIN - height adjust	2
12	C 10482	SPRING - compression	2
13	138- 96	PIN - roll 3/16" x 1"	2
14	C 26087	ARM ASSEMBLY - idler	1
15	C 16714	BUSHING - sleeve	1
16	C 16745	BOLT - shoulder	1
17	195- 103	WASHER - 3/8"	2
18	131- 1181	NUT - lock 3/8" - 16	1
19	C 26090	PULLEY - flat	2
20	113- 410	BOLT - 1/2" - 13 x 1-1/2"	2
21	131- 1308	NUT - lock 1/2" - 13	2



MOUNTING AND LIFT ASSEMBLY

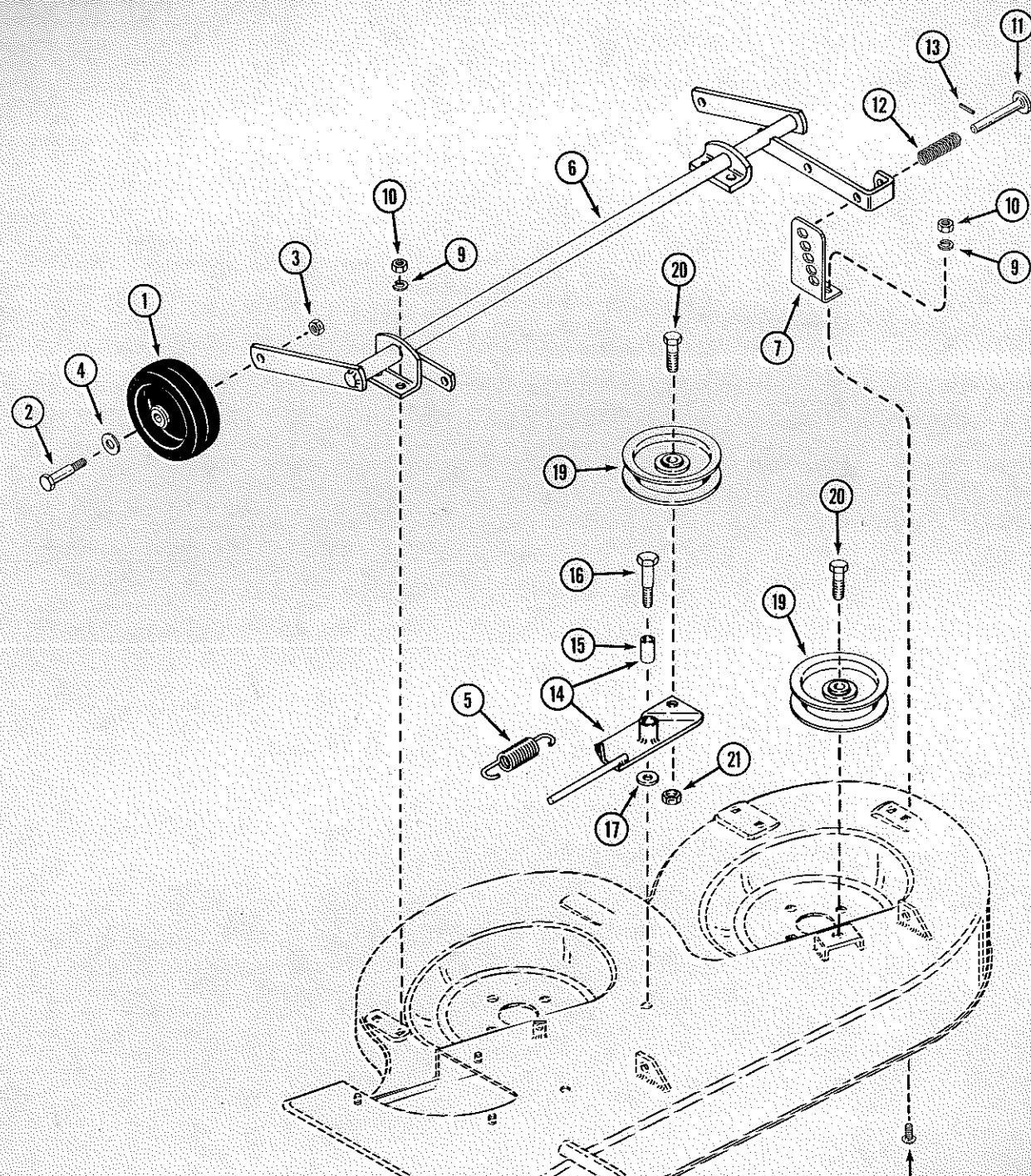
REF.	PART NO.	DESCRIPTION	REQ'D.
1	C 26093	FRAME - suspension	1
2	C 26092	PAD - foot	2
3	C 15278	PIN - latch	2
4	C 10482	SPRING - compression	2
5	138- 2073	PIN - roll 3/16" x 1-1/4"	2
6	C 25872	LINK - lift	1
7	C 25871	BOLT - "J", lift	1
8	131- 1181	NUT - lock 3/8" - 16 hex	1
9	C 19088	BOLT - "J" leveling	2
10	131- 1182	NUT - lock 1/2" - 13 hex	4
11	C 26033	LINK - adjust	2
12	195- 533	WASHER - 1/2"	6
13	132- 310	PIN - cotter 1/8" x 1"	2
14	141- 4	PIN - clevis 3/8"	1
15	C 16450	PIN - hair	1
16	195- 525	WASHER - 3/8"	1
17	C 10821	PIN - clevis 1/2"	2
18	C 10898	PIN - safety	4
19	C 27231*	BRACKET - lift adaptor (M41, N41)	1
20	113- 207*	BOLT - 3/8" - 16 x 1 grade 5	1
21	131- 1181*	NUT - lock 3/8" - 16	1

* Required to mount L41, M41, N41 mower
on tractors S/N and after:
108 - 14031940
110 - 14032840
116 - all



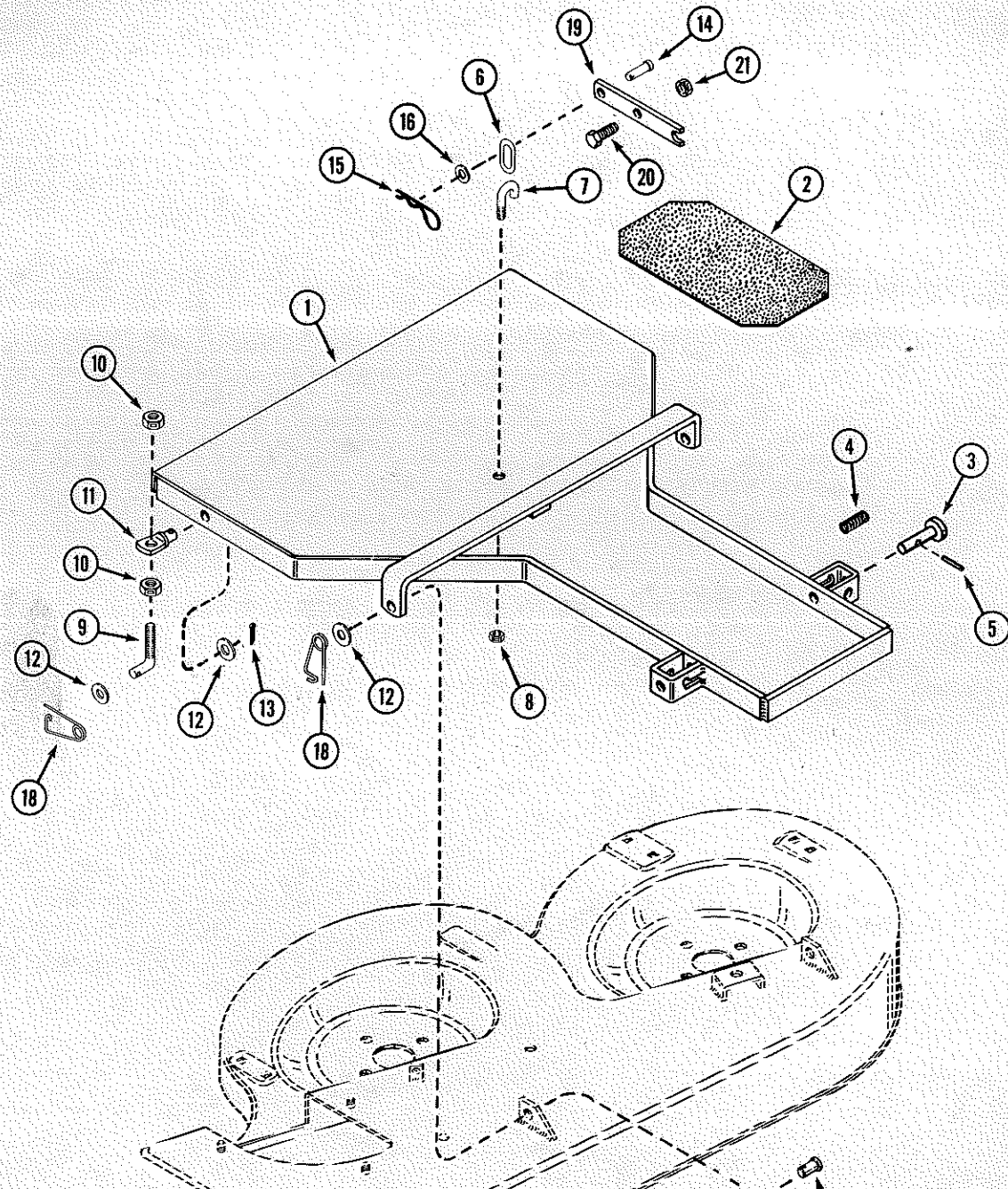
DECK, BELT AND SPINDLE ASSEMBLY

REF.	PART NO.	DESCRIPTION	REQ'D.
1	C 28477	DECK - mower	1
2	C 28481	SPINDLE - mower	2
3	C 28276	SPACER - sleeve	2
4	C 17666	HOUSING - spindle (also requires [2] A63279)	2
5	C 28971	BEARING - spindle	4
6	C 16516	RING - retaining (service part)	4
7	C 10810	SPACER - bearing	2
8	113- 206	BOLT - 3/8" - 16 x 3/4"	8
9	192- 21	LOCKWASHER - 3/8"	8
10	C 25541	SPACER - washer	2
11	C 25544	SHIELD - bearing	2
12	C 25542	ADAPTOR - spindle	2
13	C 28482	BLADE - 17-1/4"	2
14	195- 2037	WASHER - 7/16" x 2"	2
15	192- 21	LOCKWASHER - 3/8"	2
16	113- 233	BOLT - 3/8" - 16 x 1-3/4"	2
17	C 27023	BELT - drive	1
18	131- 931	NUT - 5/16" - 18 flanged	3
19	C 28483	COVER - chute	1



WHEELS, AXLE AND IDLERS

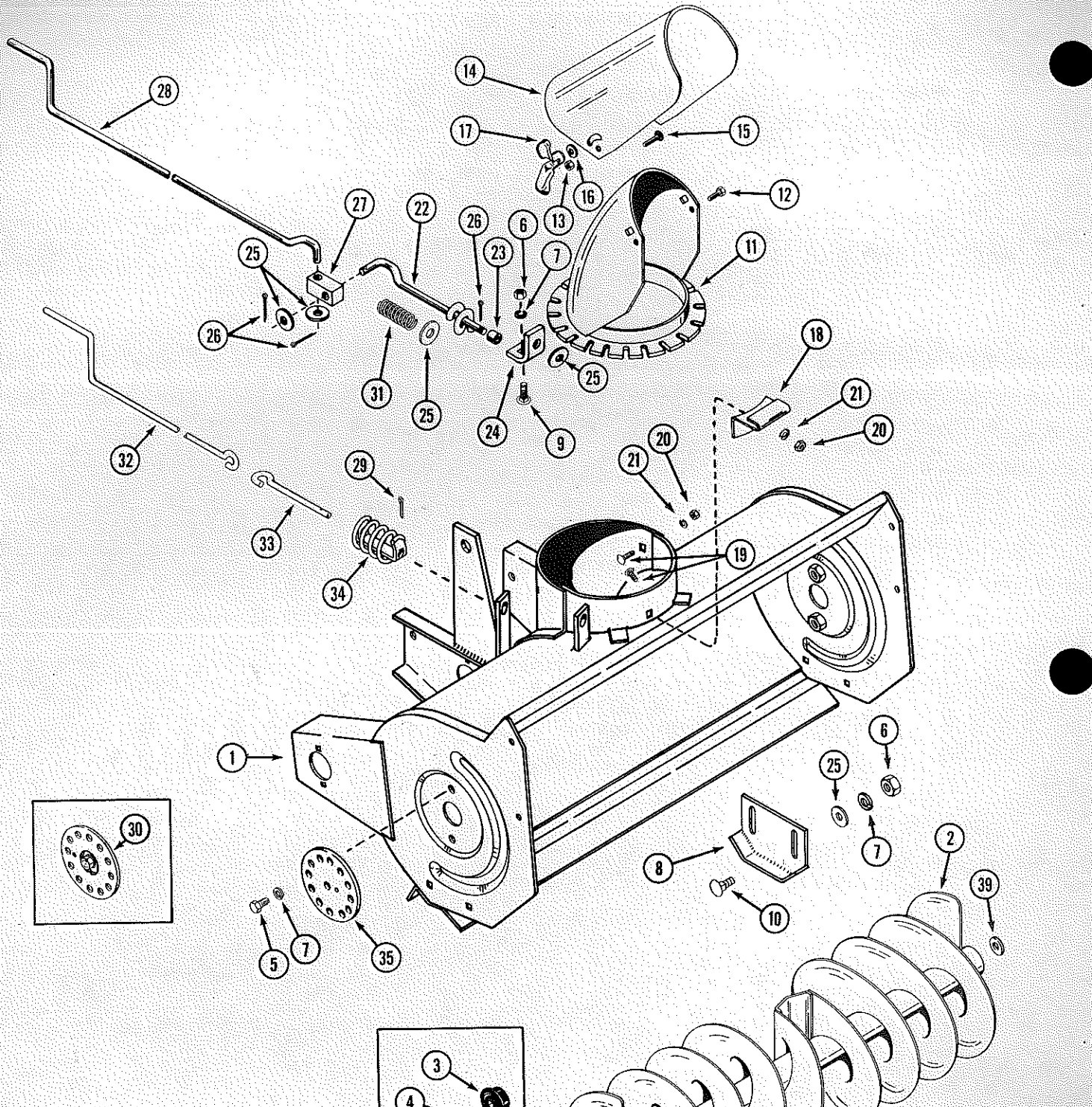
REF.	PART NO.	DESCRIPTION	REQ'D.
1	C 26736	WHEEL - gauge	2
2	C 16745	BOLT - shoulder	2
3	131- 1181	NUT - 3/8" lock	2
4	195- 533	WASHER - 1/2"	2
5	C 14482	SPRING - tension	1
6	C 26078	AXLE - mower	1
7	C 26086	BRACKET - height adjust	1
8	111- 132	BOLT - 5/16" - 18 x 3/4" carriage	6
9	192- 20	LOCKWASHER - 5/16"	6
10	129- 102	NUT - 5/16" - 18 hex	6
11	C 20005	PIN - height adjust	2
12	C 10482	SPRING - compression	2
13	138- 96	PIN - roll 3/16" x 1"	2
14	C 26087	ARM ASSEMBLY - idler	1
15	C 16714	BUSHING - sleeve	1
16	C 16745	BOLT - shoulder	1
17	195- 103	WASHER - 3/8"	2
18	131- 1181	NUT - lock 3/8" - 16	1
19	C 26090	PULLEY - flat	2
20	113- 410	BOLT - 1/2" - 13 x 1-1/2"	2
21	131- 1308	NUT - lock 1/2" - 13	1



MOUNTING AND LIFT ASSEMBLY

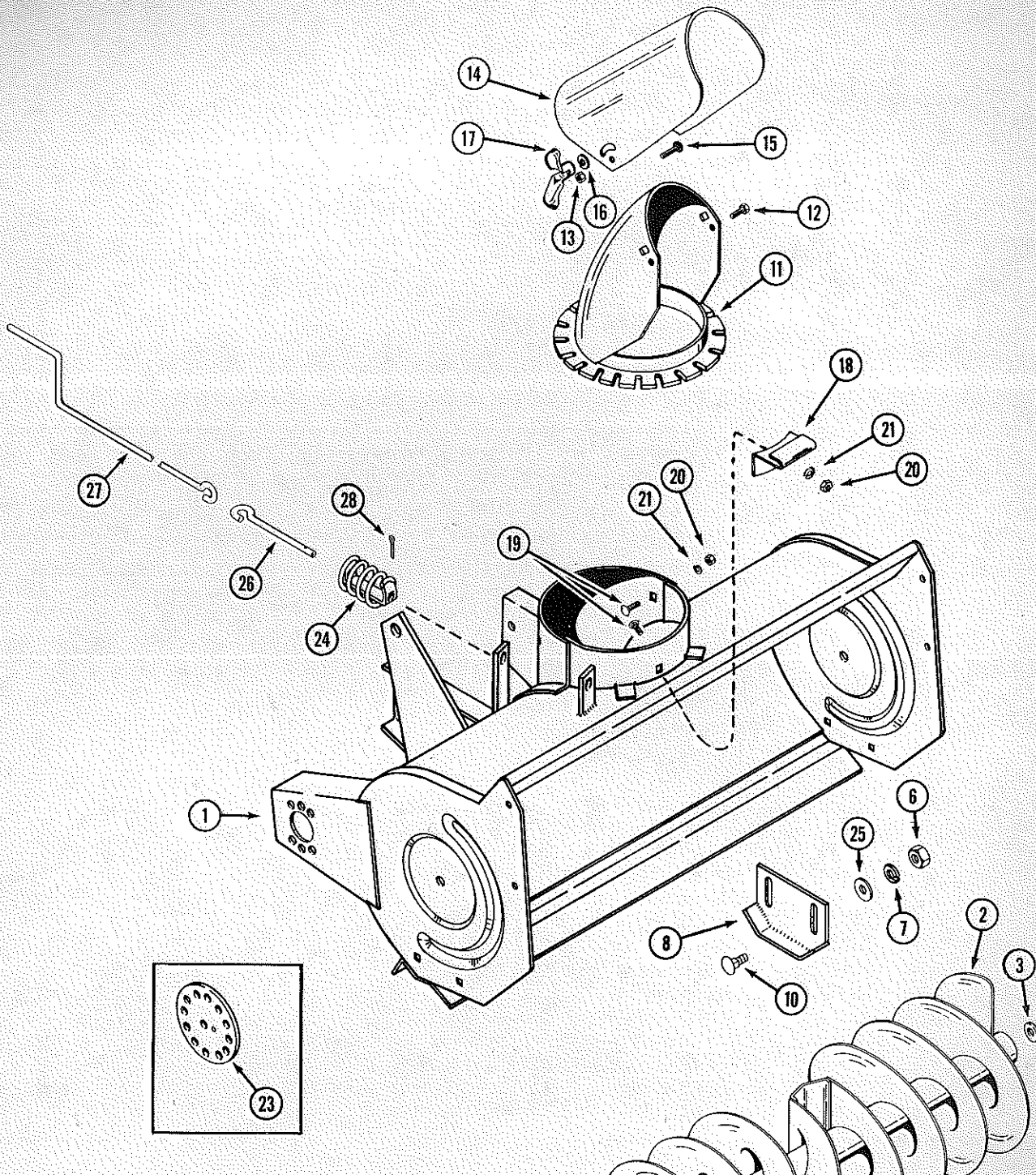
REF.	PART NO.	DESCRIPTION	REQ'D.
1	C 26093	FRAME - suspension	1
2	C 26092	PAD - foot	2
3	C 15278	PIN - latch	2
4	C 10482	SPRING - compression	2
5	138- 2073	PIN - roll 3/16" x 1-1/4"	2
6	C 25872	LINK - lift	1
7	C 25871	BOLT - "J", lift	1
8	131- 1181	NUT - lock 3/8" - 16 hex	1
9	C 19088	BOLT - "J" leveling	2
10	131- 1182	NUT - lock 1/2" - 13 hex	4
11	C 26033	LINK - adjust	2
12	195- 533	WASHER - 1/2"	6
13	132- 310	PIN - cotter 1/8" x 1"	2
14	141- 4	PIN - clevis 3/8"	1
15	C 16450	PIN - hair	1
16	195- 525	WASHER - 3/8"	1
17	C 10821	PIN - clevis 1/2"	2
18	C 10898	PIN - safety	4
19	C 27231*	BRACKET - lift adaptor	1
20	113- 207*	BOLT - 3/8" - 16 x 1 grade 5	1
21	131- 1181*	NUT - lock 3/8" - 16	1

* Required to mount mower
on tractors S/N and after:
108 - 14031940
110 - 14032840
116 - all



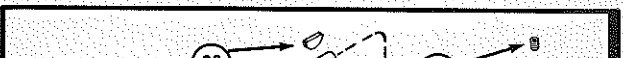
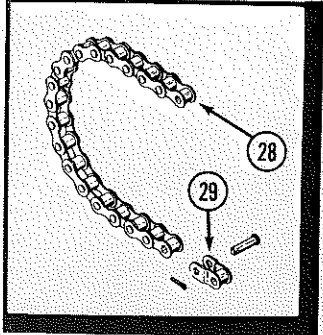
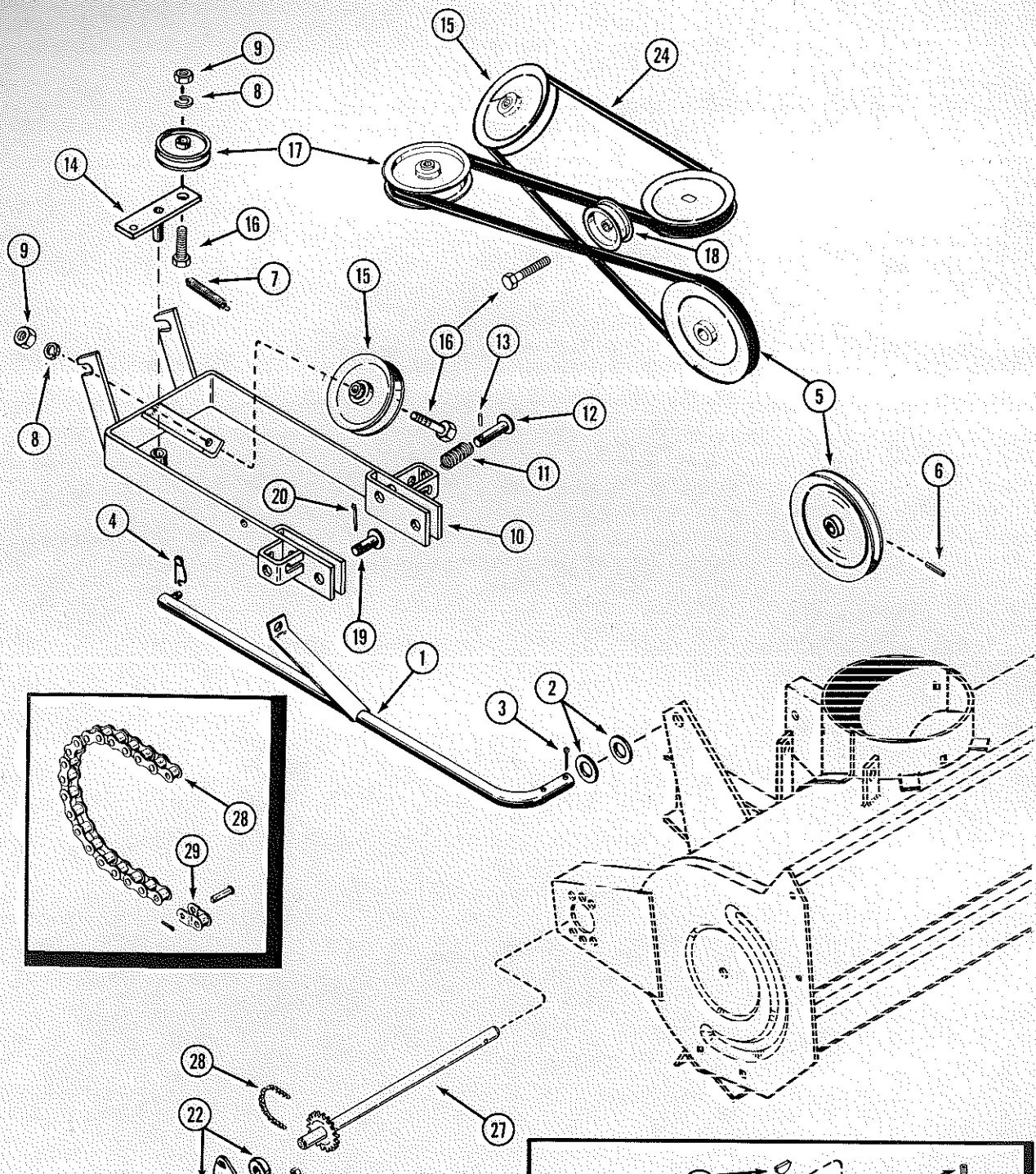
AUGER AND CHUTE ASSEMBLY

REF.	PART NO.	DESCRIPTION	REQ'D.
1	NSS	HOUSING - auger 32" (J81) (order C25183, C24705, C24643, C24640 and 132-300)	1
1	C 25183	HOUSING - auger 32" (K, L, M81)	1
2	C 25206	AUGER - includes items 36, 37 and 38 (M81)	1
2	C 15297	AUGER - (J, K, L81)	1
3	C 14421	BEARING - auger (J, K, L81)	2
4	195- 545	WASHER - 3/4" (J, K, L81)	UAR
5	113- 206	BOLT - 3/8" NC x 3/4" hex	4
6	129- 103	NUT - 3/8" NC hex	5
7	192- 21	LOCKWASHER - 3/8"	9
8	C 17775	SKID	2
9	111- 302	BOLT - 3/8" NC x 3/4" rd. hd. square neck (J81)	1
10	111- 371	BOLT - 3/8" NC x 1" rd. hd. square neck	4
11	C 15248	CHUTE	1
12	113- 1	BOLT - 1/4" NC x 1/2" hex	2
13	131- 1102	LOCKNUT - 1/4" NC hex	2
14	C 16940	DEFLECTOR	1
15	111- 340	BOLT - 3/8" NC x 3/4" rd. hd. square neck	2
16	C 28263	WASHER - dished 25/64" x 1"	2
17	C 22774	WING NUT - deflector lock	2
18	C 15334	BRACKET - chute hold down	3
19	111- 202	BOLT - 5/16" NC x 3/4" rd. hd. square neck	2
20	129- 102	NUT - 5/16" NC hex	2
21	192- 20	LOCKWASHER - 5/16"	3
22	C 15244	ROD - chute control (J81)	1
23	C 15277	SPACER - rod, chute control (J81)	1
24	C 15240	BRACKET - control rod (J81)	1
25	195- 525	WASHER - 3/8" plain	8
26	132- 320	PIN - cotter 3/32" x 3/4" (J81)	3
27	C 14583	JOINT - block (J81)	1
28	C 15371	CRANK - chute control (J81)	1
29	132- 310	PIN - cotter 1/8" x 1" (K, L, M81)	1
30	C 19734	PLATE - stub shaft (J, K, L81)	2
31	C 17612	SPRING - compression (J81)	1
32	C 24705	CRANK - chute control (K, L, M81)	1
33	C 24643	ROD - chute control (K, L, M81)	1
34	C 24640	COIL - chute control (K, L, M81)	1
35	C 25842	HUB - auger (M81)	2
36	C 25841	SHAFT - stub (M81)	2
37	C 28971	BEARING - auger (M81)	2
38	C 25840	SLEEVE - bearing (M81)	2
39	195- 522	WASHER - spacer (M81)	UAR



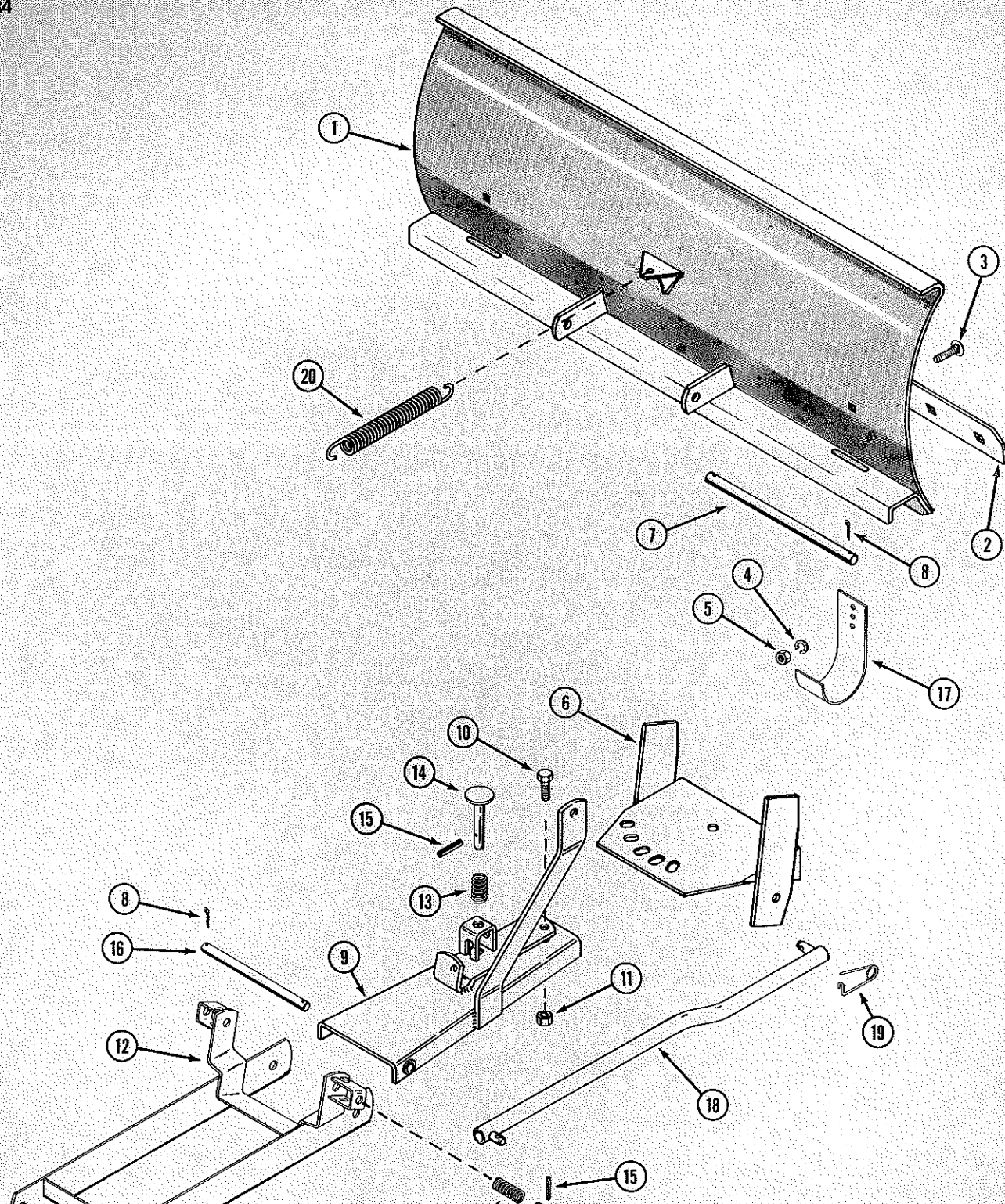
AUGER AND CHUTE ASSEMBLY

REF.	PART NO.	DESCRIPTION	REQ'D.
1	C 27087	HOUSING - auger 32" (P81, R81) shown	1
1	NSS	HOUSING - auger 32" (N81) use C27087 and (2) 113-102	1
2	C 25206	AUGER - includes items 4, 9 and 22	1
3	195- 522	WASHER - spacer	UAR
4	C 25840	SLEEVE - bearing	2
5	113- 207	BOLT - 3/8" NC x 1" hex (use lock tite for installation)	2
6	129- 103	NUT - 3/8" NC hex	4
7	192- 21	LOCKWASHER - 3/8"	4
8	C 17775	SKID	2
9	C 28971	BEARING - auger	1
10	111- 371	BOLT - 3/8" NC x 1" rd. hd. square neck	4
11	C 15248	CHUTE	1
12	113- 1	BOLT - 1/4" NC x 1/2" hex	2
13	131- 1102	LOCKNUT - 1/4" NC hex	2
14	C 16940	DEFLECTOR	1
15	111- 340	BOLT - 3/8" NC x 3/4" rd. hd. square neck	2
16	C 28263	WASHER - dished 25/64" x 1"	2
17	C 22774	WING NUT - deflector lock	2
18	C 15334	BRACKET - chute hold down	3
19	111- 202	BOLT - 5/16" NC x 3/4" rd. hd. square neck	2
20	129- 102	NUT - 5/16" NC hex	2
21	192- 20	LOCKWASHER - 5/16"	3
22	C 25841	SHAFT - stub	2
23	C 25842	HUB - auger (N81)	1
24	C 24640	COIL - chute control	1
25	195- 525	WASHER - 3/8" plain	6
26	C 24643	ROD - chute control	1
27	C 24705	CRANK - chute control	1
28	132- 310	PIN - cotter 1/8" x 1"	1



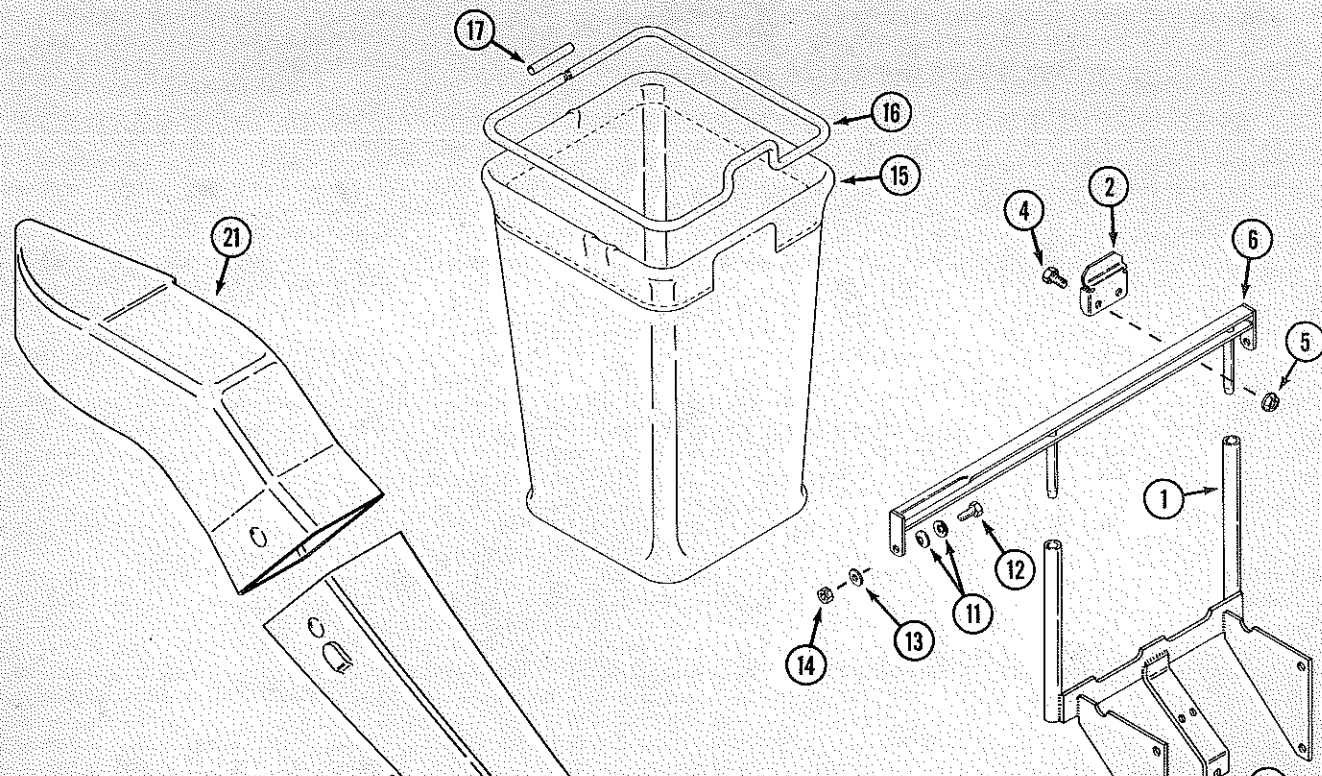
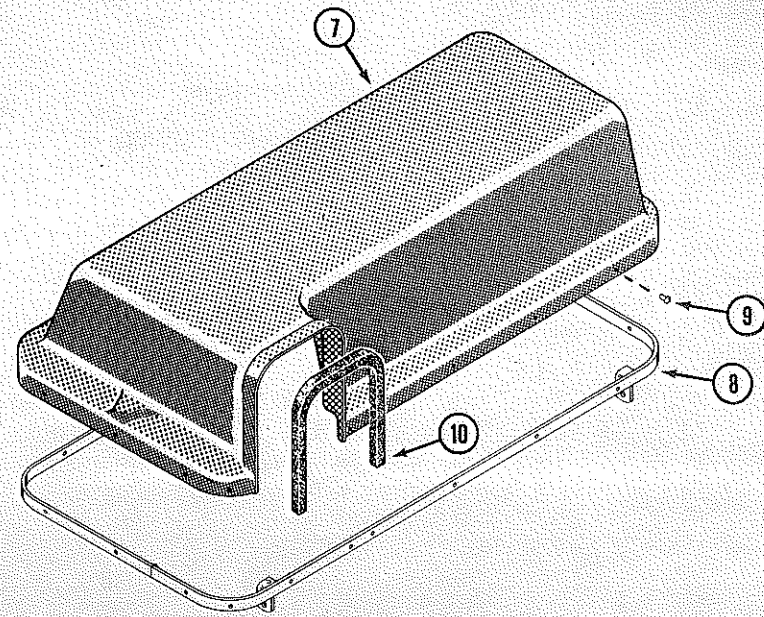
MOUNTING COMPONENTS AND DRIVE ASSEMBLY

REF.	PART NO.	DESCRIPTION	REQ'D.
1	C 15375	ROD - lift (J81, K81, L81, M81) shown	1
1	C 27085	ROD - lift (N81, P81, R81)	1
2	195- 549	WASHER - 7/8" ZP	2
3	132- 332	PIN - cotter 3/32" x 1-1/2"	2
4	C 10898	PIN - safety	1
5	C 19824	PULLEY - 6" (J81, K81)	1
5	C 19731	PULLEY - 6" (L81, M81, N81, P81, R81)	1
6	138- 2073	PIN - roll 3/16" x 1-1/4" (J81, K81)	1
6	138- 2040	PIN - roll 1/4" x 1-1/2" (L81, M81, N81, P81, R81)	1
7	C 15671	SPRING - idler arm	1
8	192- 21	LOCKWASHER - 3/8" ZP	3
9	129- 103	NUT - 3/8" NC hex, ZP	3
10	C 15288	BRACKET - mounting	1
11	C 10482	SPRING	1
12	C 15278	PIN - latch	2
13	138- 2073	PIN - roll 3/16" x 1-1/4"	2
14	C 15296	ARM - idler	1
15	C 15329	PULLEY - idler	1
16	113- 219	BOLT - 3/8" x 2" NC hex	3
17	C 15343	PULLEY - idler 4-1/2"	1
18	C 15672	PULLEY - idler 2-1/2"	1
19	141- 56	PIN - clevis 1/2"	2
20	132- 310	PIN - cotter 1/8" x 1"	2
21	C 15386	FLANGETTE - (J81 and K81)	4
21	C 28277	FLANGETTE - (L81, M81, N81, P81, R81)	4
22	C 28871	BEARING - 3/4" (L81, M81, N81, P81, R81)	2
22	C 15385	BEARING - includes collar and setscrew (J81 and K81)	2
23	111- 108	BOLT - 1/4" x 3/4" NC rd. hd. square neck (J81, K81)	4
23	111- 202	BOLT - 5/16" - 18 x 3/4" carriage (L81, M81, N81, P81, R81)	2
24	C 23950	BELT - drive	1
25	192- 19	LOCKWASHER - 1/4" ZP (J81, K81)	4
25	192- 20	LOCKWASHER - 5/16" (L81, M81, N81, P81, R81)	4
26	129- 101	NUT - 1/4" NC hex, ZP (J81, K81)	4
26	129- 102	NUT - 5/16" - 18 (L81, M81, N81, P81, R81)	4
27	C 19821	SHAFT ASSEMBLY - drive (J81, K81)	1
27	C 25186	SHAFT ASSEMBLY - drive (L81, M81, N81, P81, R81)	1
28	C 18775	CHAIN - auger drive, 82 pitches, #35 roller chain	1
29	C 28805	LINK - offset, #35 roller chain	2
	C 28645	CONNECTOR LINK - #35	1
30	C 15330	SPROCKET - 18T (includes setscrew) used prior to S/N H30473	1
31	83- 44	SETSCREW - 1/4" NC socket head	2
32	C 15331	SHAFT - drive (used prior to S/N H30473)	1
33	126- 16	KEY - 3/16" x 3/4"	2
34	C 15293	PULLEY - 6" (used prior to S/N H30473)	1
35	178- 858	SETSCREW - 5/16" x 3/8" NC socket head cup point	1
36	C 28824	COLLAR - 1/2" (L81, M81, N81, P81, R81)	2



UTILITY BLADE

REF.	PART NO.	DESCRIPTION	REQ'D.
1	C 15461	BLADE ASSEMBLY - 38"	1
2	C 15462	EDGE - cutting	1
3	111- 203	BOLT - 5/16" x 1" NC round head, square neck	10
4	192- 20	LOCKWASHER - 5/16"	10
5	129- 102	NUT - 5/16" NC hex	10
6	C 15494	PIVOT - blade	1
7	C 15495	PIN - blade pivot	1
8	132- 310	PIN - cotter 1/8" x 1"	4
9	N S S	BRACKET - push (G51) use C27080 and C27083	1
9	C 27080	BRACKET - push (H51, J51) shown	1
10	113- 417	BOLT - 1/2" x 1-1/4" NC hex	1
11	131- 165	NUT - 1/2" NC hex	1
12	C 15463	BRACKET - mounting	1
13	C 10482	SPRING - compression	3
14	C 15278	PIN - latch	3
15	138- 99	PIN - roll 3/16" x 1-3/8"	3
16	C 15496	PIN - bracket pivot	1
17	C 15469	SHOE - skid	2
18	C 15497	ROD - lift (G51)	1
18	C 27083	PIPE - lift (H51, J51) shown	1
19	C 10898	PIN - safety	2
20	C 27779	SPRING - blade extension	1

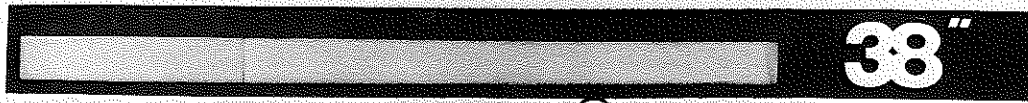


BAGGER

REF.	PART NO.	DESCRIPTION	REQ'D.
1	C 28429	BRACKET - mounting	1
2	C 28436	BRACKET - retaining, hopper	2
3	113- 207	BOLT - 3/8" x 1"	4
4	113- 102	BOLT - 5/16" x 3/4"	7
5	131- 911	NUT - 5/16" flanged	6
6	C 28434	FRAME - support	1
7	C 24685	COVER - bagger	1
8	C 24494	HINGE - cover	1
9	151- 88	RIVET - 3/16" x 5/16"	17
10	C 24610	SEAL - chute	1
11	C 25114	SPRING WASHER - Belleville	4
12	113- 103	BOLT - 5/16" - 18 x 1"	2
13	195- 521	WASHER - 5/16"	2
14	131- 176	NUT - 5/16 - 18 lock	2
15	C 28438	HOPPER	2
16	C 28439	REINFORCEMENT - metal	2
17	C 28440	TUBE - retaining	2
18	C 28446	BAFFLE - mower	1
19	195- 521	WASHER - 5/16"	3
20	C 28441	CHUTE - lower	1
21	C 28448	CHUTE - upper	1
22	C 29038	BOOT - mower	1

INGERSOLL

hi cast 32



⚠ DANGER

SPINNING BLADE
KEEP CLEAR
CONTACT CAN INJURE

⚠ CAUTION

FLYING DEBRIS
1. DO NOT RAISE COVER WHILE OPERATING.
2. PROPERLY INSTALL BAGGER AND CHUTE BEFORE STARTING MOWER. SEE OPERATOR'S MANUAL FOR FURTHER INSTRUCTIONS.

⚠ DANGER

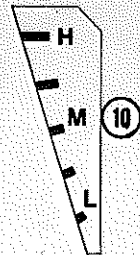
SPINNING BLADE
SEE OPERATOR'S MANUAL BEFORE ATTEMPTING TO CLEAR PLUGGED DISCHARGE CHUTE. CONTACT WITH BLADE CAN RESULT IN SERIOUS INJURY.

⚠ WARNING

ROTATING AUGER
TO AVOID SEVERE INJURY, KEEP HANDS OUT OF AUGER AND DISCHARGE CHUTE WHILE ENGINE IS RUNNING

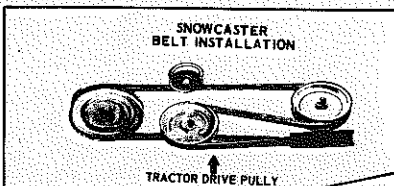
⚠ WARNING

FLYING DEBRIS
OPERATE MOWER ONLY WITH DISCHARGE CHUTE GUARD/COVER OR COMPLETE GRASS CATCHER IN PLACE. DEBRIS MAY CAUSE INJURY



⚠ CAUTION

KEEP HANDS AND FEET CLEAR OF THIS AREA
BLADE TILTS WITH SPRING TRIP ACTION
PINCH POINTS
COULD CAUSE PERSONAL INJURY



38

CASE

DECALS

REF.	PART NO.	DESCRIPTION	REQ'D.
1	321- 4199	DECAL - "Rotating Auger" (all casters)	1
2	C 16102	DECAL - drive belt (all casters)	1
3	C 27198	DECAL - "Hi Cast" (N81, P81)	1
4	321- 6379	DECAL - "CASE"	1
5	C 27937	DECAL - "Hi Cast" (R81)	1
6	NSS	DECAL - "CASE" (use 321-6379)	1
7	C 27972	DECAL - stripe (cut to length)	1
8	C 27973	DECAL - "INGERSOLI"	1
9	321- 6380	DECAL - white tred (M81)	UAR
10	321- 6433	DECAL - cutting height (all mowers)	1
11	321- 4381	DECAL - "Spinning Blade" (all mowers)	1
12	C 28428	DECAL - "Flying Debris" (P41, R41, B96)	1
13	321- 4686	DECAL - "Pinch Points" (all blades)	1
14	C 27940	DECAL - 38" (J51)	1
15	321- 4447	DECAL - "Spinning Blade" (B96)	1
16	321- 4446	DECAL - "Flying Debris" (B96)	1
17	C 27201	DECAL - utility blade (H51)	1

DECALS (French)

1	321- 4757	DECAL - "Rotating Auger" (all casters)	1
2	321- 4753	DECAL - drive belt (all casters)	1
11	321- 4763	DECAL - "Spinning Blade" (all mowers)	1
15	321- 4750	DECAL - "Spinning Blade" (B96)	1
16	321- 4761	DECAL - "Flying Debris" (B96)	1

NUMERICAL INDEX

PART NO.	PAGE NO.	REF. NO.	PART NO.	PAGE NO.	REF. NO.	PART NO.	PAGE NO.	REF. NO.			
C	10482	7	21	C	15494	35	6	C	19731	33	5
C	10482	9	3	C	15495	35	7	C	19734	29	30
C	10482	13	21	C	15496	35	16	C	19821	33	27
C	10482	15	3	C	15497	35	18	C	19824	33	5
C	10482	19	12	C	15618	7	20	C	20005	13	22
C	10482	21	4	C	15671	33	7	C	20005	19	11
C	10482	25	12	C	15677	7	12	C	20005	25	11
C	10482	27	4	C	15677	13	12	C	20006	9	9
C	10482	33	11	C	15942	7	22	C	20006	15	9
C	10482	35	13	C	16077	7	14	C	20007	15	13
C	10810	17	7	C	16102	39	2	C	20008	15	19
C	10810	23	7	C	16450	9	18	C	20009	11	16
C	10821	21	17	C	16450	15	18	C	20013	13	11
C	10821	27	17	C	16450	21	15	C	20016	13	3
C	10898	9	7	C	16450	27	15	C	20017	13	8
C	10898	15	7	C	16516	17	6	C	21519	11	17
C	10898	21	18	C	16516	23	6	C	22774	29	17
C	10898	27	18	C	16714	7	2	C	22774	31	17
C	10898	33	4	C	16714	13	2	C	23535	33	18
C	10898	35	19	C	16714	19	15	C	23950	33	24
C	10942	11	3	C	16714	25	15	C	24494	37	8
C	14421	29	3	C	16719	5	6	C	24610	37	10
C	14482	19	5	C	16745	7	1	C	24640	29	34
C	14482	25	5	C	16745	7	24	C	24640	31	24
C	14583	29	27	C	16745	13	1	C	24643	29	33
C	14966	7	25	C	16745	19	2	C	24643	31	26
C	15240	29	24	C	16745	19	16	C	24685	37	7
C	15244	29	22	C	16745	25	2	C	24705	29	32
C	15248	29	11	C	16745	25	16	C	24705	31	27
C	15248	31	11	C	16940	29	14	C	24797	5	8
C	15272	5	3	C	16940	31	14	C	24797	11	8
C	15277	29	23	C	17083	5	12	C	24797	17	13
C	15278	9	2	C	17083	11	6	C	25114	37	11
C	15278	15	2	C	17083	11	12	C	25183	29	1
C	15278	21	3	C	17155	5	2	C	25186	33	27
C	15278	27	3	C	17155	11	2	C	25206	29	2
C	15278	33	12	C	17274	7	6	C	25206	31	2
C	15278	35	14	C	17274	13	6	C	25541	17	10
C	15288	33	10	C	17612	29	31	C	25541	23	10
C	15293	33	34	C	17666	17	4	C	25542	11	7
C	15296	33	14	C	17666	23	4	C	25542	17	12
C	15297	29	2	C	17761	7	11	C	25542	23	12
C	15329	33	15	C	17775	29	8	C	25544	11	18
C	15330	33	30	C	17775	31	8	C	25544	17	11
C	15331	33	32	C	18029	15	12	C	25544	23	11

NUMERICAL INDEX

PART NO.	PAGE NO.	REF. NO.	PART NO.	PAGE NO.	REF. NO.	PART NO.	PAGE NO.	REF. NO.
138-	2073	15	4	195-	545	29	4	
138-	2073	21	5	195-	549	33	2	
138-	2073	27	5	195-	2037	5	9	
138-	2073	33	6	195-	2037	11	9	
138-	2073	33	13	195-	2037	17	14	
141-	4	15	26	195-	2037	23	14	
141-	4	21	14	321-	4199	39	1	
141-	4	27	14	321-	4381	39	11	
141-	56	33	19	321-	4446	37	16	
151-	88	37	9	321-	4447	39	15	
178-	858	33	35	321-	4686	39	13	
192-	6	5	10	321-	4750	39	15	
192-	19	33	25	321-	4753	39	2	
192-	20	7	17	321-	4757	39	1	
192-	20	9	16	321-	4761	39	16	
192-	20	13	17	321-	4763	39	11	
192-	20	15	16	321-	6379	39	4	
192-	20	19	9	321-	6380	39	9	
192-	20	25	9	321-	6433	39	10	
192-	20	29	21					
192-	20	31	21					
192-	20	33	25					
192-	20	35	4					
192-	21	7	9					
192-	21	11	10					
192-	21	11	14					
192-	21	13	9					
192-	21	17	9					
192-	21	17	15					
192-	21	23	9					
192-	21	23	15					
192-	21	29	7					
192-	21	31	7					
192-	21	33	8					
195-	103	7	8					
195-	103	19	17					
195-	103	25	17					
195-	106	9	11					
195-	106	15	11					
195-	521	37	13					
195-	521	37	19					
195-	522	29	39					
195-	522	31	3					
195-	525	7	26					
195-	525	9	10					
195-	525	13	20					

