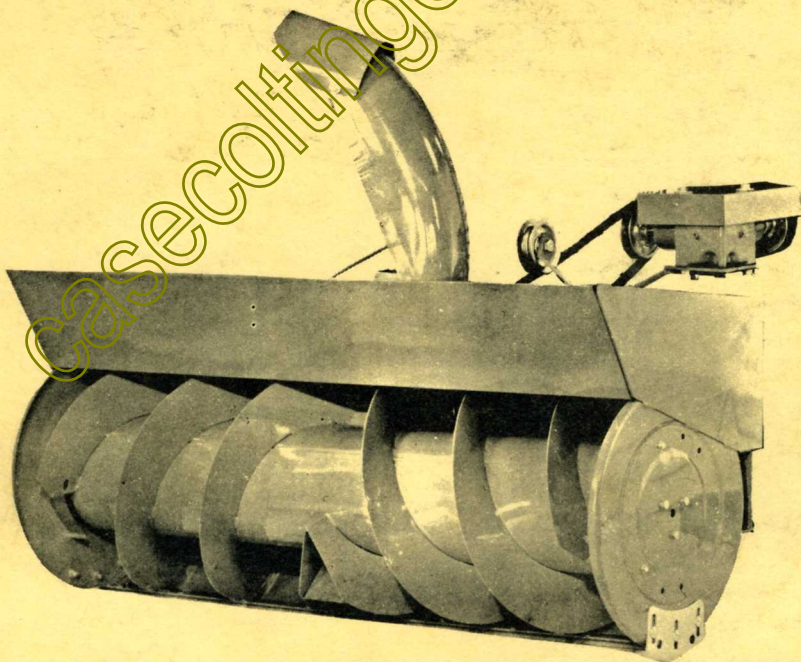


CASE

HABAN 36" and 48" SNOW THROWER
(SINGLE STAGE)

FOR

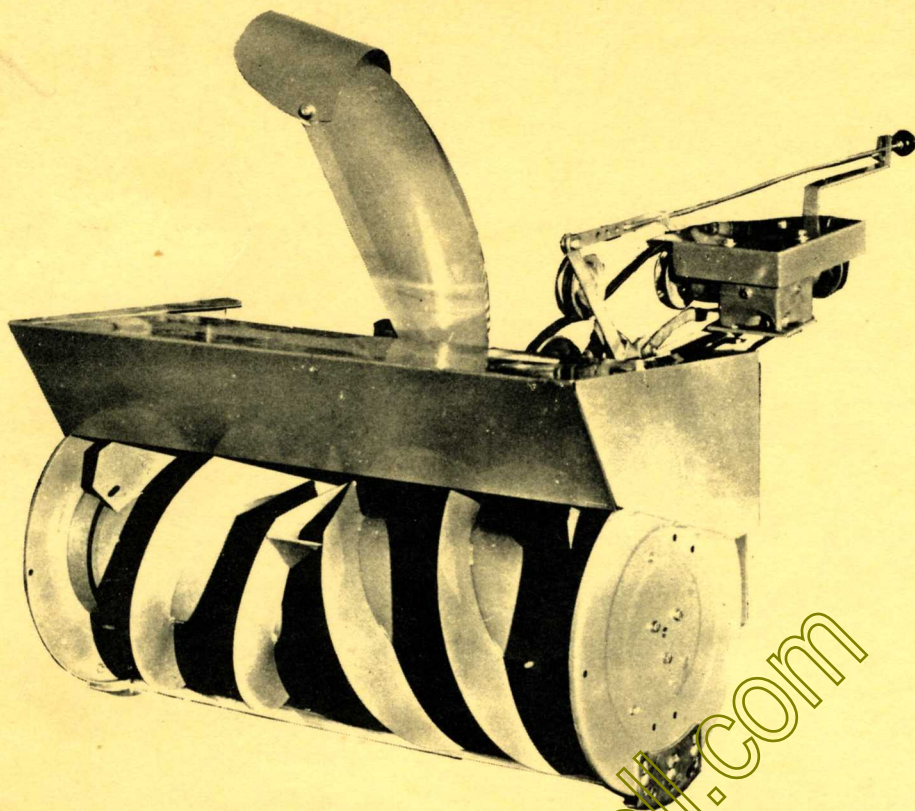
CASE MODELS 120 - 130 - 150 - 180 & 190
ALSO COLT DELUXE - SUPER - SUPERH - RANCHER -
2110 - 2310 - 2510 & 2712 COMPACT TRACTORS



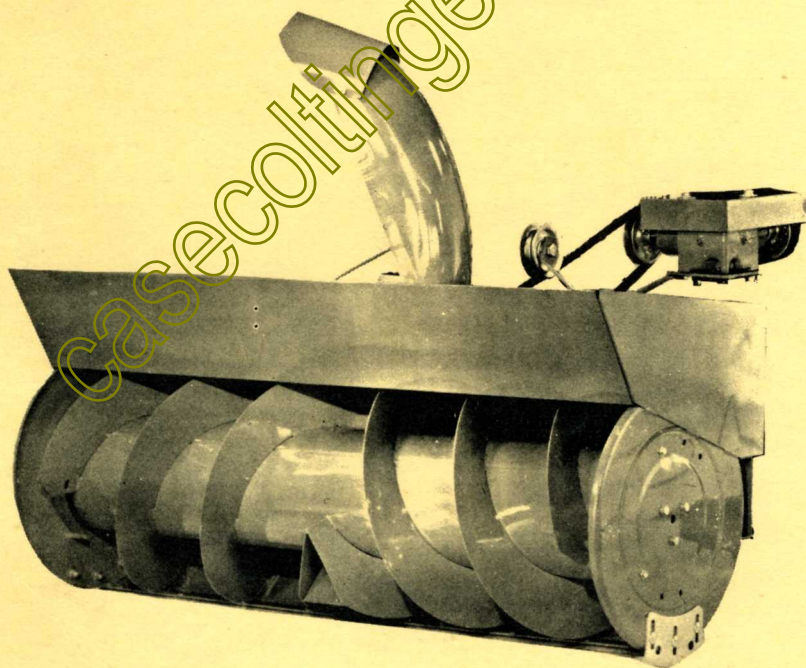
PRICE 50c



J. I. CASE COMPANY
Racine, Wisconsin, U.S.A.



Single-stage snow thrower for Case 130 and 180 tractors and Colt Deluxe, Super, Super H and Rancher compact tractors.



Single-stage snow thrower for Case 120, 150 and 190 tractors and Colt 2110, 2310, 2510 and 2712 compact tractors.

PARTS CATALOG 988

36" AND 48" SINGLE - STAGE SNOW THROWERS

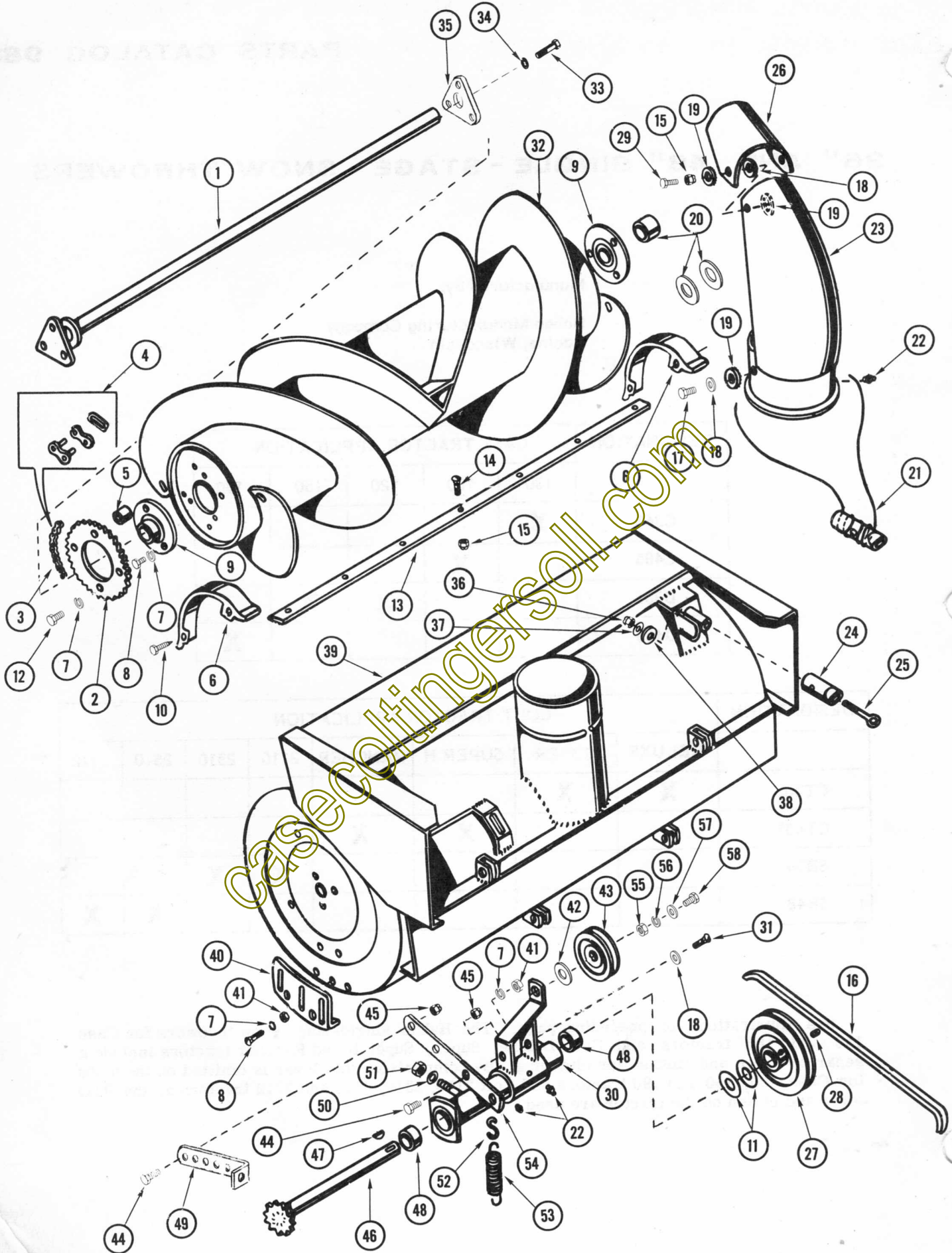
Manufactured by:

Haban Manufacturing Company
Racine, Wisconsin

DESIGNATION	CASE TRACTOR APPLICATION				
	130	180	120	150	190
C36S	X				
C48S		X			
D36S			X	X	
D48S					X

DESIGNATION	COLT TRACTOR APPLICATION							
	DELUXE	SUPER	SUPER H	RANCHER	2110	2310	2510	2712
CT36S	X	X						
CT48S			X	X				
SB36					X	X		
SB48							X	X

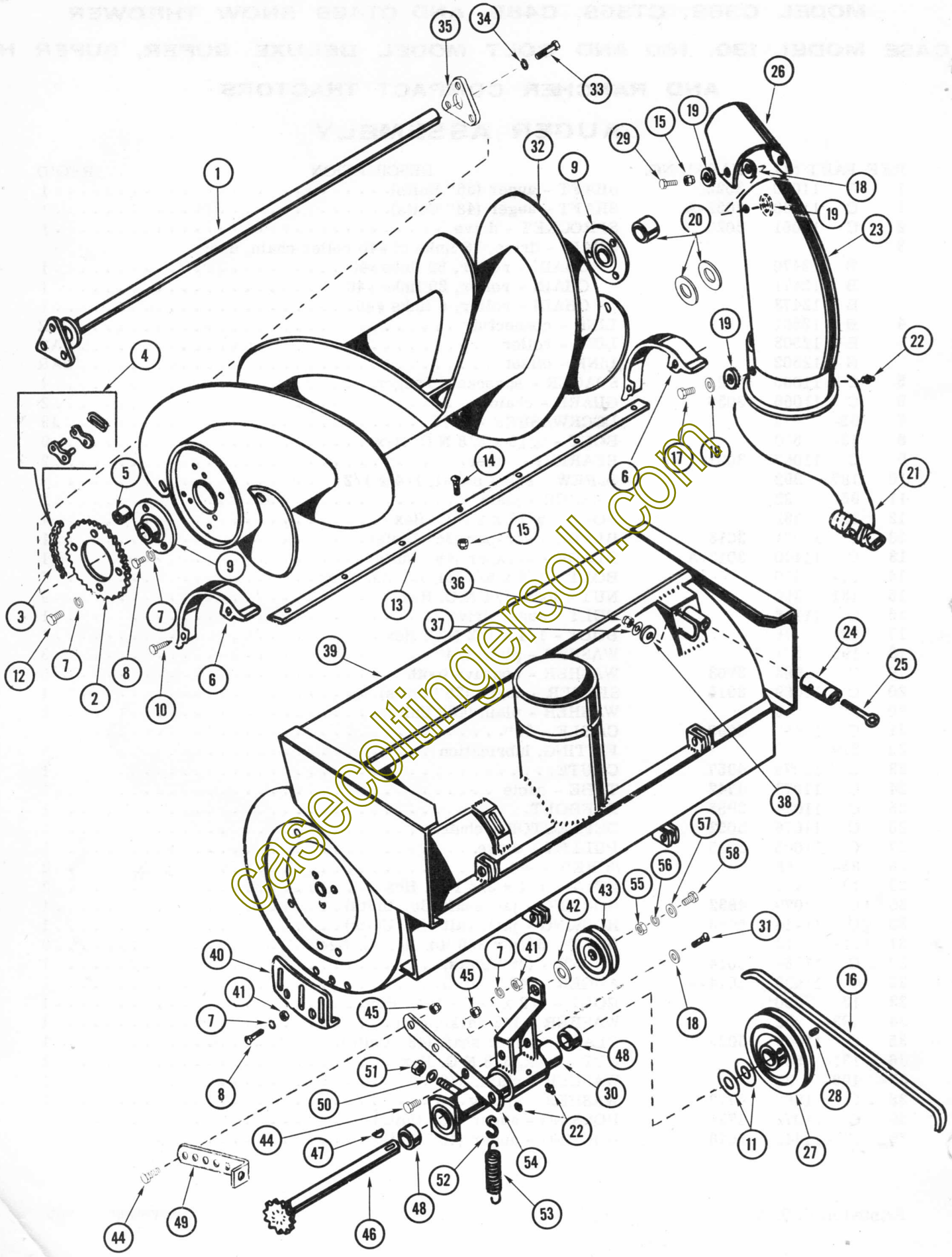
See illustrations on preceding page. The Haban single-stage snow throwers for Case 130 and 180 tractors and Colt Deluxe, Super, Super H and Rancher tractors include a separate lever and linkage for clutching. By comparison, this lever is omitted on the units for Case 120, 150 and 190 tractors and Colt 2110, 2310, 2510 and 2712 tractors as the PTO lever and clutch on the tractor are used.



**MODEL C36S, CT36S, C48S, AND CT48S SNOW THROWER
CASE MODEL 130, 180 AND COLT MODEL DELUXE, SUPER, SUPER H
AND RANCHER COMPACT TRACTORS**

AUGER ASSEMBLY

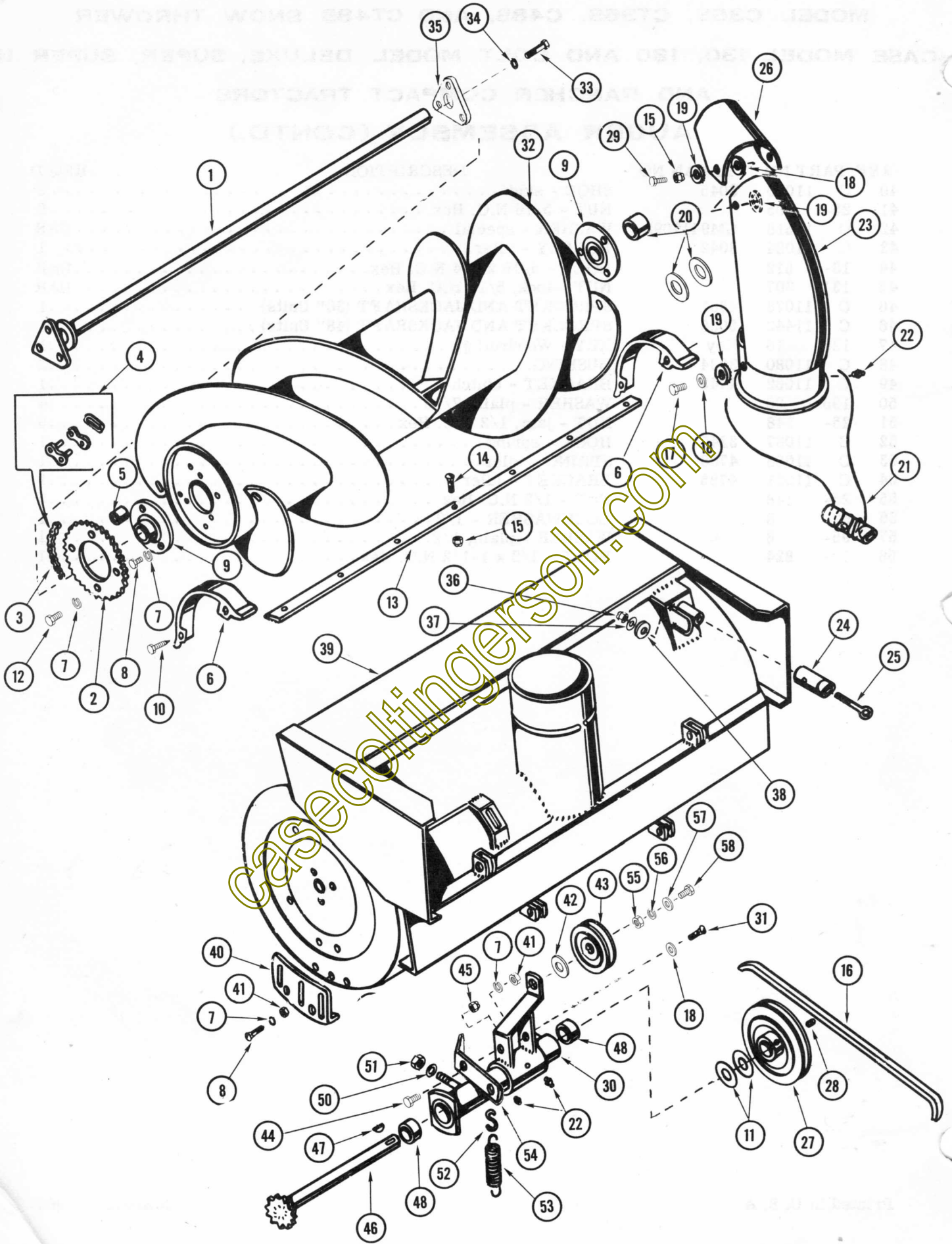
REF.	PART NO.	HABAN NO.	DESCRIPTION	REQ'D
1	C 11060	3022	SHAFT - auger (36" Units)	1
1	C 11438	3022-A	SHAFT - auger (48" Units)	1
2	C 11061	3026	SPROCKET - drive	1
3			CHAIN - drive, 76 links of #40 roller chain, use:	
	B 12470		CHAIN - roller, 50 links #40	1
	B 12471		CHAIN - roller, 20 links #40	1
	B 12473		CHAIN - roller, 6 links #40	1
4	B 12501		LINK - connecting	UAR
	B 12503		LINK - roller	UAR
	B 12502		LINK - offset	UAR
5	C 11065	3027	SPACER - sprocket to auger	4
6	C 11066	3036	GUARD - chain	2
7	92- 5		LOCKWASHER - 5/16	19
8	13- 510		BOLT - 5/16 x 5/8 N.C. Hex	9
9	C 11067	3021	BEARING - auger	2
10	187- 992		SCREW - sheet metal, 1/4 x 1/2	4
11	95- 22		WASHER - plain	2
12	13- 532		BOLT - 5/16 x 2 N.C. Hex	4
13	C 11071	3013	BLADE - scraper (36" Units)	1
13	C 11440	3013-A	BLADE - scraper (48" Units)	1
14	11- 410		BOLT - 1/4 x 5/8 Rd. Hd. Sq. Neck	7
15	131- 350		NUT - lock, 1/4 N.C. Hex	9
16	C 11116		BELT - auger drive	1
17	13- 48		BOLT - 1/4 x 1/2 N.C. Hex	1
18	195- 521		WASHER - plain 1/4"	3
19	C 11083	3903	WASHER - concave tooth	5
20	C 11069	3915	SPACER - auger (36" Units)	1
20	95- 16		WASHER - plain (48" Units)	2
21	C 11442	5098	CABLE - 56'	1
22	219- 6		FITTING, lubrication	3
23	C 11075	4957	CHUTE	1
24	C 11073	4742	TUBE - cable	1
25	C 11074	3955	EYEBOLT	1
26	C 11076	3052	DEFLECTOR - chute	1
27	C 11085	3035	PULLEY - drive	1
28	85- 58		SCREW - set	2
29	13- 412		BOLT - 1/4 x 3/4 N.C. Hex	2
30	C 11079	4832	HOUSING - jackshaft (36" Units)	1
30	C 11444	5086	HOUSING - jackshaft (48" Units)	1
31	11- 512		BOLT - 5/16 x 3/8 Rd. Hd. Sq. Neck	6
32	C 11068	3014	AUGER - (36" Units)	1
32	C 11439	3014-A	AUGER - (48" Units)	1
33	13- 820		BOLT - 1/2 x 1-1/4 N.C. Hex	1
34	193- 32		WASHER - 1/2 Shakeproof	1
35	C 11446	3025	PLATE - auger shaft (48" Units)	1
36	131- 508		NUT - lock, 3/8 N.C. Hex	1
37	192- 22		WASHER - plain, 3/8	1
38	C 11062	4772	WASHER - spring	1
39	C 11072	4730	HOUSING - auger (36" Units)	1
39	C 11441	5076	HOUSING - auger (48" Units)	1



**MODEL C36S, CT36S, C48S, AND CT48S SNOW THROWER
CASE MODEL 130, 180 AND COLT MODEL DELUXE, SUPER, SUPER H
AND RANCHER COMPACT TRACTORS
AUGER ASSEMBLY (CONTD.)**

REF. PART NO.	HABAN NO.	DESCRIPTION	REQ'D
40 C 11070	3045	SHOE - skid	2
41 25- 105		NUT - 5/16 N.C. Hex	6
42 C 11518	GM9417098	WASHER - special	UAR
43 C 11084	3042	PULLEY - idler	1
44 13- 512		BOLT - 5/16 x 3/4 N.C. Hex	UAR
45 131- 307		NUT - lock, 5/16 N.C. Hex	UAR
46 C 11078	4801	SPROCKET AND JACKSHAFT (36" Units)	1
46 C 11443	5088	SPROCKET AND JACKSHAFT (48" Units)	1
47 126- 16	Key	KEY - Woodruff #9	1
48 C 11080	3034	BUSHING	2
49 C 11082	4743	BRACKET - clutch	1
50 195- 26		WASHER - plain, 7/16	4
51 25- 148		NUT - jam, 1/2 N.C. Hex	5
52 C 11087	3247	HOOK - spring	1
53 C 11088	4798	SPRING - idler	1
54 C 11081	4785	BRACKET - idler	1
55 25- 148		NUT - 1/2 N.C. Hex	5
56 92- 8		LOCKWASHER - 1/2	1
57 95- 8		WASHER - plain, 1/2	1
58 13- 824		BOLT - 1/2 x 1-1/2 N.C. Hex	1

casecoltingersoil.com



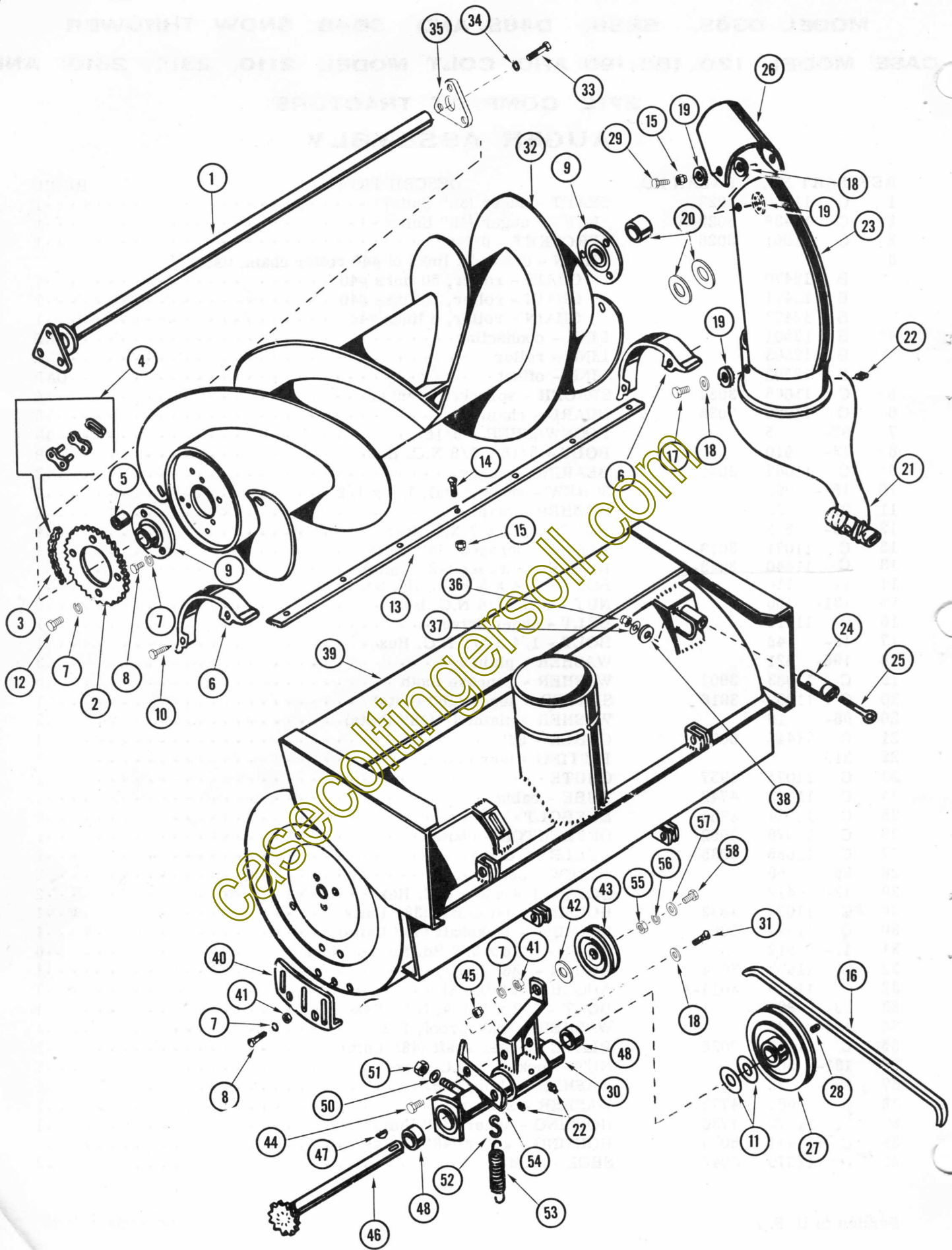
MODEL D36S, SB36, D48S, AND SB48 SNOW THROWER

CASE MODEL 120, 150, 190 AND COLT MODEL 2110, 2310, 2510, AND

2712 COMPACT TRACTORS

AUGER ASSEMBLY

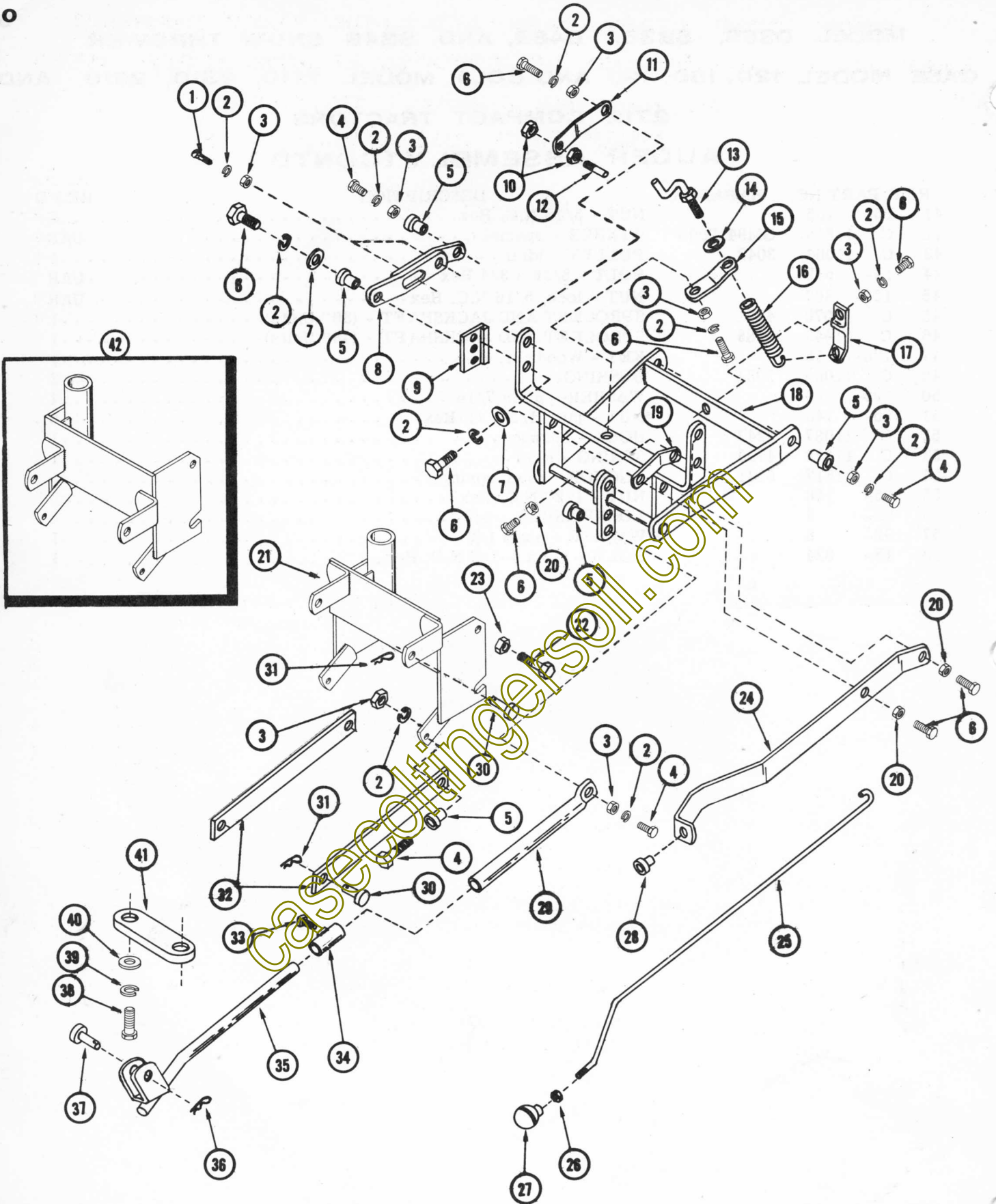
REF.	PART NO.	HABAN NO.	DESCRIPTION	REQ'D
1	C 11060	3022	SHAFT - auger (36" Units)	1
1	C 11438	3022-A	SHAFT - auger (48" Units)	1
2	C 11061	3026	SPROCKET - drive	1
3			CHAIN - drive, 76 links of #40 roller chain, use:	
	B 12470		CHAIN - roller, 50 links #40	1
	B 12471		CHAIN - roller, 20 links #40	1
	B 12473		CHAIN - roller, 6 links #40	1
4	B 12501		LINK - connecting	UAR
	B 12503		LINK - roller	UAR
	B 12502		LINK - offset	UAR
5	C 11065	3027	SPACER - sprocket to auger	4
6	C 11066	3036	GUARD - chain	2
7	92- 5		LOCKWASHER - 5/16	19
8	13- 510		BOLT - 5/16 x 5/8 N.C. Hex	9
9	C 11067	3021	BEARING - auger	2
10	187- 992		SCREW - sheet metal, 1/4 x 1/2	4
11	95- 22		WASHER - plain	2
12	13- 532		BOLT - 5/16 x 2 N.C. Hex	4
13	C 11071	3013	BLADE - scraper (36" Units)	1
13	C 11440	3013-A	BLADE - scraper (48" Units)	1
14	11- 410		BOLT - 1/4 x 5/8 Rd. Hd. Sq. Neck	7
15	131- 350		NUT - lock, 1/4 N.C. Hex	9
16	C 11116		BELT - auger drive	1
17	13- 48		BOLT - 1/4 x 1/2 N.C. Hex	1
18	195- 521		WASHER - plain, 1/4	3
19	C 11083	3903	WASHER - concave tooth	5
20	C 11069	3916	SPACER - auger (36" Units)	1
20	96- 16		WASHER - plain, 1" (48" Units)	2
21	C 11442	5098	CABLE - 56	1
22	219- 6		FITTING - lubrication	3
23	C 11075	4957	CHUTE	1
24	C 11073	4742	TUBE - cable	1
25	C 11074	3955	EYEBOLT	1
26	C 11076	3052	DEFLECTOR - chute	1
27	C 11085	3035	PULLEY - drive	1
28	85- 58		SCREW - set	2
29	13- 412		BOLT - 1/4 x 3/4 N.C. Hex	2
30	C 11079	4832	HOUSING - jackshaft (36" Units)	1
30	C 11444	5086	HOUSING - jackshaft (48" Units)	1
31	11- 512		BOLT - 5/16 x 3/8 Rd. Hd. Sq. Neck	6
32	C 11068	3014	AUGER - (36" Units)	1
32	C 11439	3014-A	AUGER - 48" Units)	1
33	13- 820		BOLT - 1/2 x 1-1/4, N.C. Hex	1
34	193- 32		WASHER - shakeproof, 1/2	1
35	C 11446	3025	PLATE - auger shaft (48" Units)	1
36	131- 508		NUT - lock, 3/8 N.C. Hex	1
37	192- 22		WASHER - plain, 3/8	1
38	C 11062	4772	WASHER - spring	1
39	C 11072	4730	HOUSING - auger (36" Units)	1
39	C 11441	5076	HOUSING - auger (48" Units)	1
40	C 11070	3045	SHOE - skid	2



**MODEL D36S, SB36, D48S, AND SB48 SNOW THROWER
CASE MODEL 120, 150, 190 AND COLT MODEL 2110, 2310, 2510, AND
2712 COMPACT TRACTORS
AUGER ASSEMBLY (CONTD.)**

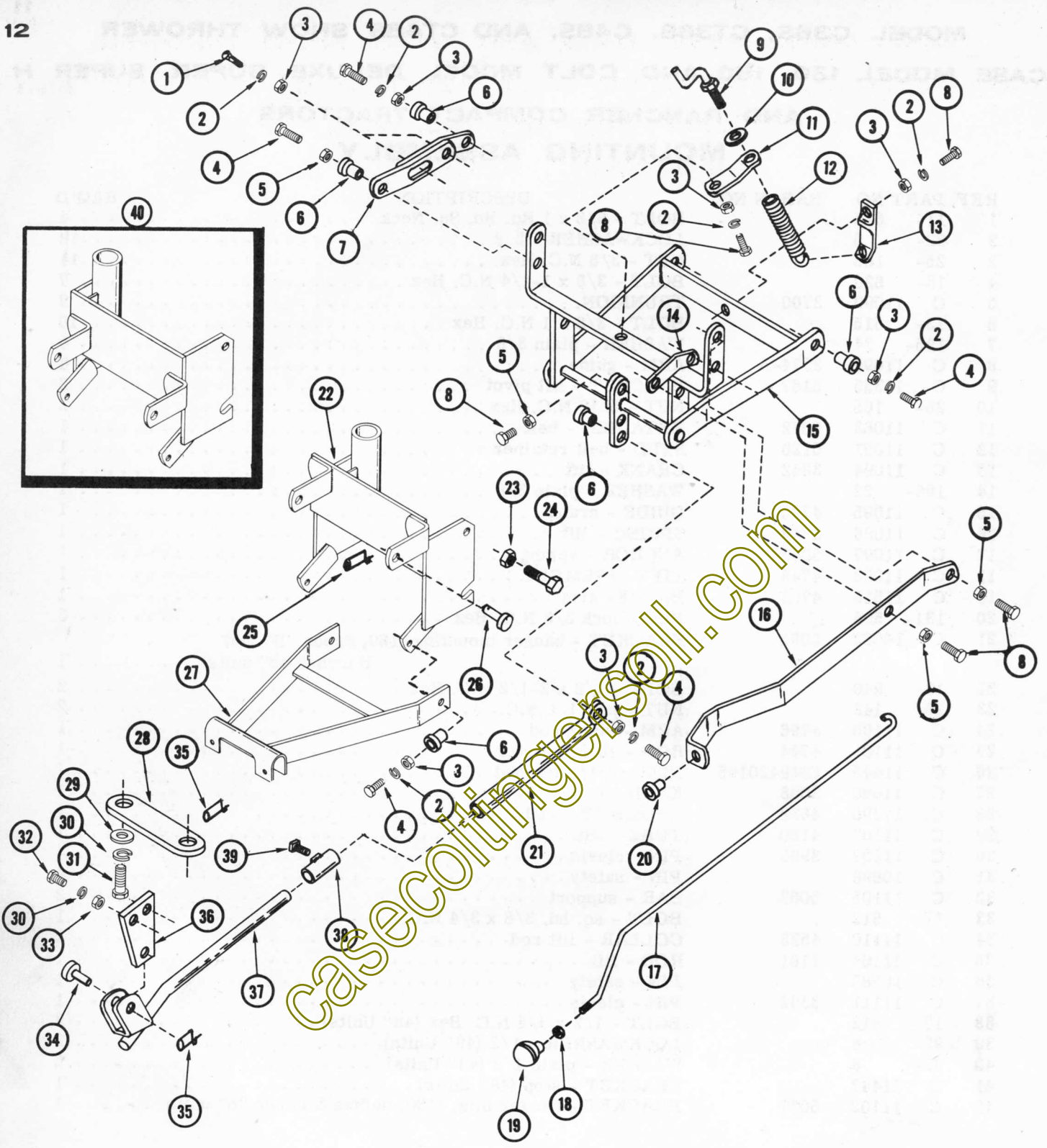
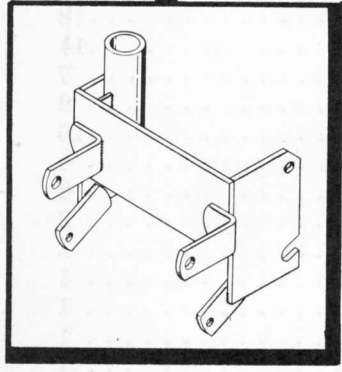
REF. PART NO.	HABAN NO.	DESCRIPTION	REQ'D
41 25- 105		NUT - 5/16 N.C. Hex	6
42 C 11518	GM9417098	WASHER - special	UAR
43 C 11084	3042	PULLEY - idler	1
44 13- 512		BOLT - 5/16 x 3/4 Hex	UAR
45 131- 307		NUT - lock, 5/16 N.C. Hex	UAR
46 C 11078	4801	SPROCKET AND JACKSHAFT - (36" Units)	1
46 C 11443	5088	SPROCKET AND JACKSHAFT - (48" Units)	1
47 126- 16		KEY - Woodruff, #9	1
48 C 11080	3034	BUSHING	2
50 195- 26		WASHER - plain 7/16	4
51 25- 148		NUT - jam, 1/2 N.C. Hex	5
52 C 11087	3247	HOOK - spring	1
53 C 11088	4798	SPRING - idler	1
54 C 11517	5131	ANCHOR - idler spring	1
55 25- 148		NUT - 1/2" N.C. Hex	5
56 92- 8		LOCKWASHER - 1/2	1
57 95- 8		WASHER - plain 1/2	1
58 13- 824		BOLT - 1/2 x 1-1/2 N.C. Hex	1

casecoltingersoll.com



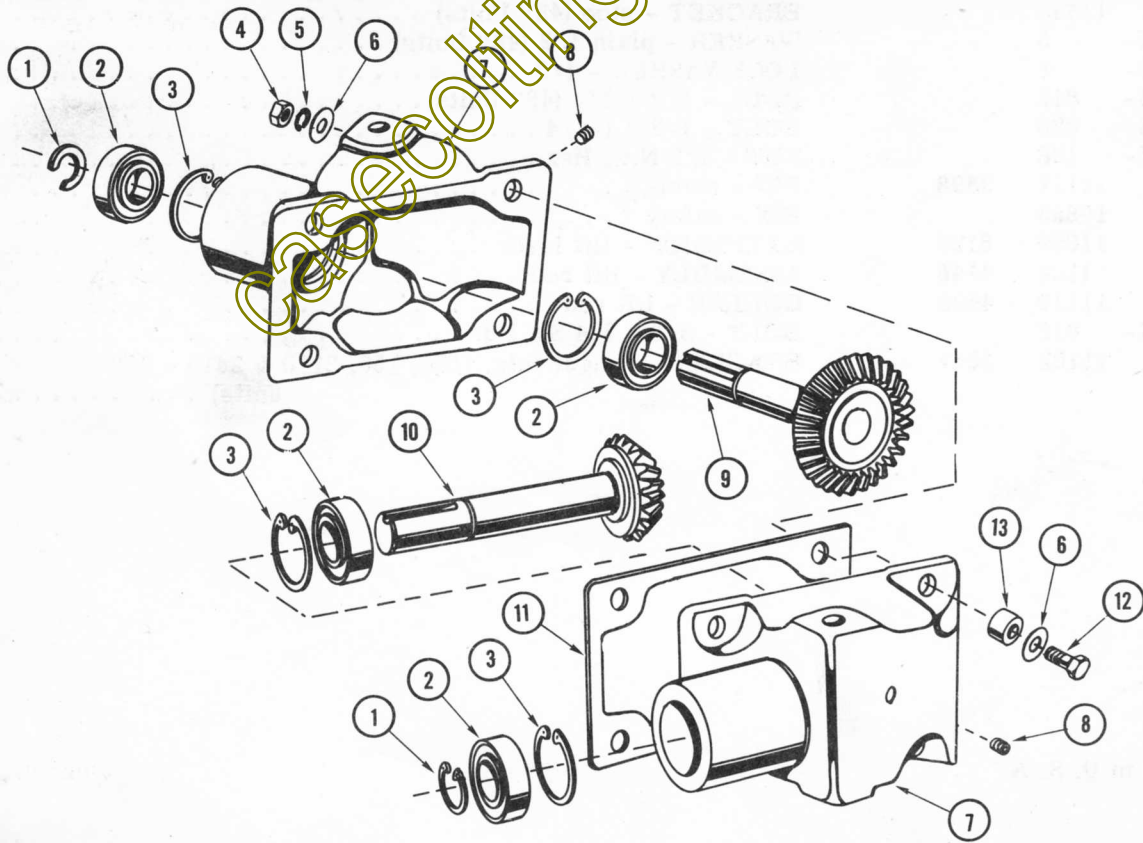
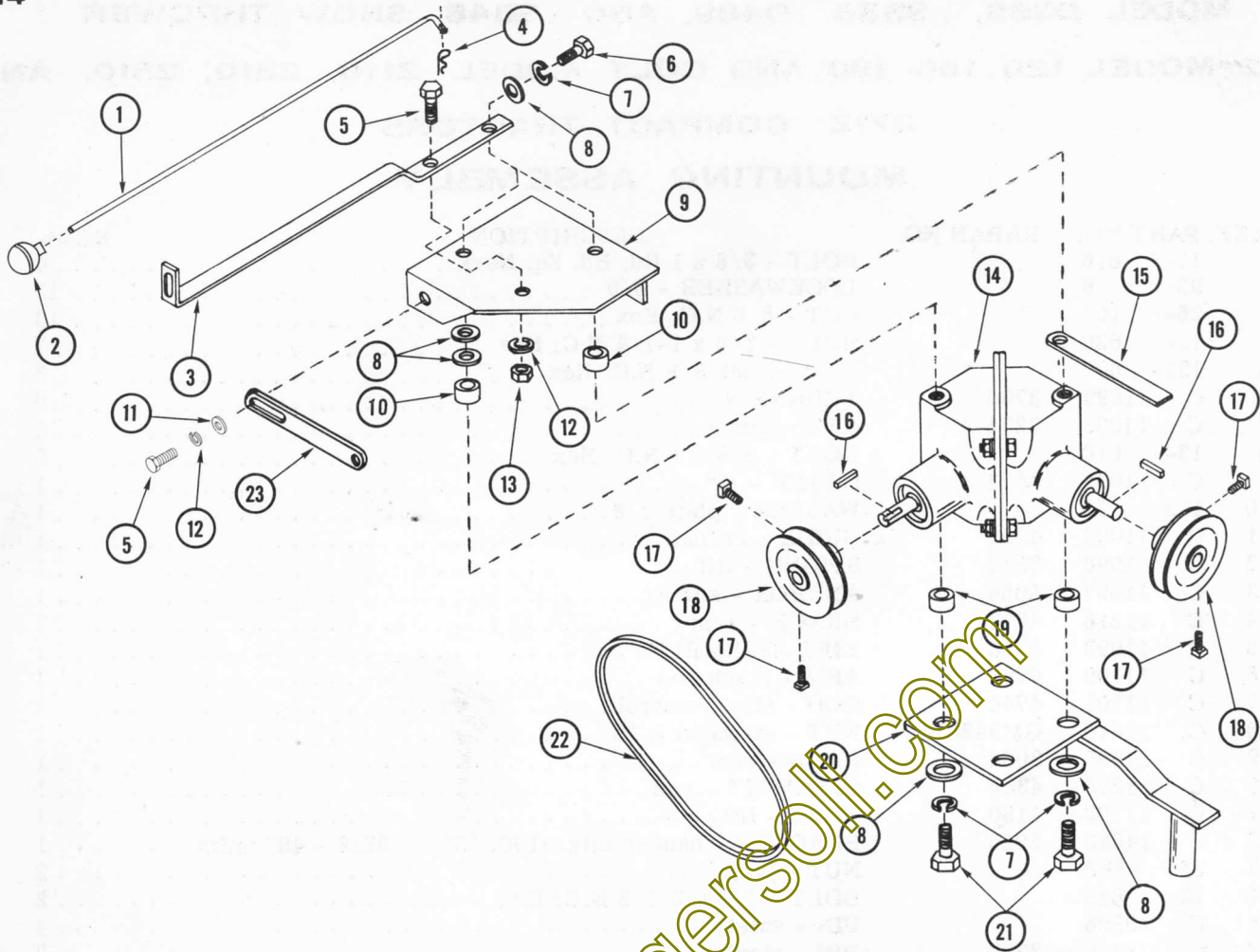
MODEL C36S, CT36S, C48S, AND CT48S SNOW THROWER
CASE MODEL 130, 180 AND COLT MODEL DELUXE, SUPER, SUPER H
AND RANCHER COMPACT TRACTORS
MOUNTING ASSEMBLY

REF. PART NO.	HABAN NO.	DESCRIPTION	REQ'D
1	11- 616	BOLT - 3/8 x 1 Rd. Hd. Sq. Neck	4
2	92- 6	LOCKWASHER - 3/8	18
3	25- 106	NUT - 3/8 N.C. Hex.	14
4	13- 620	BOLT - 3/8 x 1-1/4 N.C. Hex	7
5	C 11099 3700	TRUNNION.	9
6	13- 515	BOLT - 3/8 x 1 N.C. Hex	10
7	195- 24	WASHER - plain 3/8	4
8	C 11098 3274-A	ARM - guide.	4
9	C 11355 5167	BRACKET - lift pivot	2
10	25- 105	NUT - 5/16 N.C. Hex	2
11	C 11063 5072	RETAINER - belt	1
12	C 11091 5126	STUD - belt retainer	1
13	C 11094 3852	CRANK - lift	1
14	195- 22	WASHER - plain 3/8	1
15	C 11095 4795	GUIDE - crank	1
16	C 11096 3849	SPRING - lift	1
17	C 11097 5056	ANCHOR - spring	1
18	C 11093 4748	LIFT ASSEMBLY.	1
19	C 11516 4792	BRACE- arm	1
20	131- 508	NUT - lock 3/8 N.C. Hex	3
21	C 14082 5055	BRACKET - hanger mounting (180, Super "H" and Rancher 48" units)	1
22	13- 840	BOLT - 1/2 x 2-1/2 N.C. Hex	2
23	25- 148	NUT - jam 1/2 N.C.	2
24	C 11100 4796	ARM - stack rod	1
25	C 11101 4744	ROD - chute control	1
26	C 11445 GM9420165	NUT - 5/16 stamped	1
27	C 11090 3068	KNOB - rod	1
28	C 11298 4838	GROMMET - rod.	1
29	C 11103 4180	TUBE - lift	1
30	C 11299 3980	PIN - clevis	4
31	C 10898	PIN - safety	4
32	C 11105 5062	BAR - support	2
33	17- 612	BOLT - sq. hd. 3/8 x 3/4 N.C.	1
34	C 11110 4523	COLLAR - lift rod.	1
35	C 11104 4161	ROD - lift.	1
36	C 10883	PIN - safety	1
37	C 11111 3396	PIN - clevis	1
38	13- 812	BOLT - 1/2 x 3/4 N.C. Hex (48" Units)	2
39	92- 8	LOCKWASHER - 1/2 (48" Units).	2
40	95- 8	WASHER - plain 1/2 (48" Units).	2
41	C 11447	BRACKET - stop (48" Units)	1
42	C 11102 5057	BRACKET - hanger mtg. (130, deluxe & super 36" units)	1



**MODEL D36S, SB36, D48S, AND SB48 SNOW THROWER
CASE MODEL 120, 150, 190 AND COLT MODEL 2110, 2310, 2510, AND
2712 COMPACT TRACTORS
MOUNTING ASSEMBLY**

REF. PART NO.	HABAN NO.	DESCRIPTION	REQ'D
1 11- 616		BOLT - 3/8 x 1 Rd. Hd. Sq. Neck	4
2 92- 6		LOCKWASHER - 3/8	13
3 25- 106		NUT - 3/8 N.C. Hex	13
4 13- 620		BOLT - 3/8 x 1-1/4 N.C. Hex	7
5 131- 508		NUT - Lock 3/8 N.C. Hex	5
6 C 11099 3700		TRUNNION	9
7 C 11098 3274-A		ARM - guide	4
8 13- 616		BOLT - 3/8 x 1 N.C. Hex	5
9 C 11094 3852		CRANK - lift	1
10 195- 22		WASHER - plain 3/8	1
11 C 11095 4795		GUIDE - crank	1
12 C 11096 3849		SPRING - lift	1
13 C 11097 5056		ANCHOR - spring	1
14 C 11516 4792		BRACE - arm	1
15 C 11093 4748		LIFT ASSEMBLY	1
16 C 11100 4796		ARM - stack rod	1
17 C 11101 4744		ROD - stack control	1
18 C 11445 GM9420165		NUT - stamped 5/16	1
19 C 11090 3068		KNOB - rod	1
20 C 11298 4338		GROMMET - rod	1
21 C 11103 4180		TUBE - lift	1
22 C 14082 5055		BRACKET - hanger mtg. (190, 2510 & 2712 - 48" units)	1
23 25- 148		NUT - jam	2
24 13- 840		BOLT - 1/2 x 2-1/2 N.C. Hex	2
25 C 10898		PIN - safety	4
26 C 11299 3980		PIN - clevis	2
27 C 12814 5132		SUPPORT - wishbone	1
28 C 11447		BRACKET - stop (48" Units)	1
29 95- 8		WASHER - plain 1/2 (48" Units)	2
30 92- 8		LOCKWASHER - 1/2	2
31 13- 812		BOLT - 1/2 x 3/4 (48" Units)	2
32 13- 820		BOLT - 1/2 x 1-1/4	2
33 25- 128		NUT - 1/2 N.C. Hex	2
34 C 11111 3398		PIN - clevis	1
35 C 10883		PIN - safety	1
36 C 11059 5129		EXTENSION - lift lever	1
37 C 11104 4148		ASSEMBLY - lift rod	1
38 C 11110 4523		COLLAR - lift rod	1
39 17- 612		BOLT - 3/8 x 3/4 Sq. Hd.	1
40 C 11102 5057		BRACKET - hanger mtg. (130, 150, 2110 & 2310 - 36" units)	1

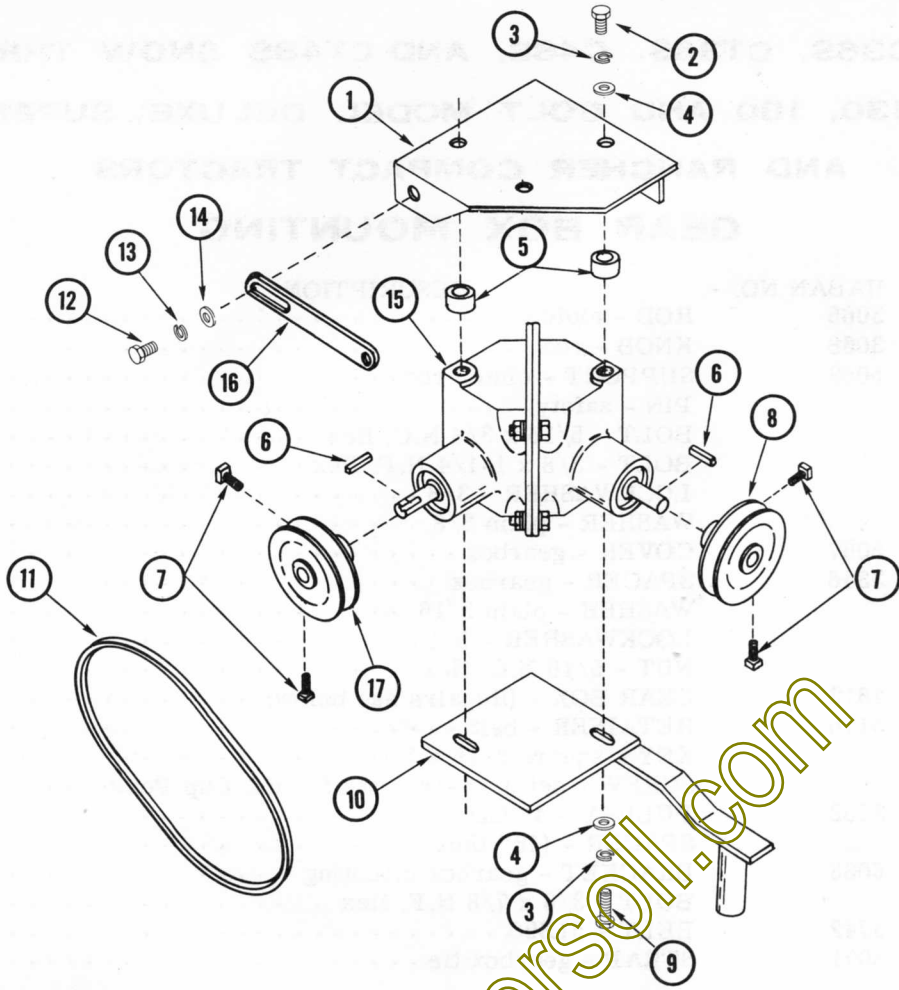


**MODEL C36S, CT36S, C48S, AND CT48S SNOW THROWER
CASE MODEL 130, 180 AND COLT MODEL DELUXE, SUPER, SUPER H
AND RANCHER COMPACT TRACTORS
GEAR BOX MOUNTING**

REF. PART NO.	HABAN NO.	DESCRIPTION	REQ'D
1 C 11089	3065	ROD - clutch	1
2 C 11090	3068	KNOB - rod	1
3 C 11108	5069	SUPPORT - clutch rod	1
4 C 10883		PIN - safety	1
5 13- 512		BOLT - 5/16 x 3/4 N.C. Hex	2
6 14- 620		BOLT - 3/8 x 1-1/4 N.F. Hex	2
7 92- 6		LOCKWASHER - 3/8	4
8 195- 24		WASHER - plain 3/8	6
9 C 11107	5067	COVER - gearbox	1
10 C 11114	3346	SPACER - gearbox	2
11 95- 5		WASHER - plain 5/16	1
12 92- 5		LOCKWASHER - 5/16	1
13 15- 105		NUT - 5/16 N.C. Hex	1
14 C 11117	4612	GEAR BOX - (Repairs see below)	1
15 C 11356	5176	RETAINER - belt	1
16 O 4284-CS		KEY - square 3/16 x 1	2
17 85- 58		SCREW - set 5/16-18 x 1/4 Sq. Hd. Cup Point	4
18 C 11092	3252	PULLEY - 4" OD	2
19 C 11357		SPACER - (48" Units)	2
20 C 11106	5063	BRACKET - gearbox mounting	1
21 14- 614		BOLT - 3/8 x 7/8 N.F. Hex	2
22 C 11124	3742	BELT - 5L390	1
23 C 11109	5071	STRAP - gearbox tie	1

GEAR BOX COMPONENTS (FOR ALL MODELS)

	C 11117	4612	GEARBOX	1
1	T 25683		SNAP RING - shaft	2
2	C 11119	4611	BEARING - shaft	4
3	C 11225	4610	SNAP RING - bearing	4
4	25- 205		NUT - 5/16 N.C. Hex	4
5	192- 19		LOCKWASHER - 5/16	4
6	195- 20		WASHER - plain 5/16	8
7	NSS		HOUSING - (Order C 11117 assembly)	
8	C 11118	3847	PLUG - oil	2
9	C 11120	4586	SHAFT AND GEAR - output 32T (Replace as a pair with C 11121)	1
10	C 11121	4587	SHAFT AND GEAR - input 22T (Replace as a pair with C 11120)	1
11	C 11122	4608	GASKET - housing	1
12	13- 528		BOLT - 5/16 x 1-1/4 N.C. Hex	4
13	C 11123	4606	SPACER	4



**MODEL D36S, SB36, D48S, AND SB48 SNOW THROWER
CASE MODEL 120, 150, 190 AND COLT MODEL 2110, 2310, 2510, AND
2712 COMPACT TRACTORS
GEAR BOX MOUNTING**

REF. PART NO.	HABAN NO.	DESCRIPTION	REQ'D
1 C 11107	5067	COVER - gearbox	1
2 14- 620		BOLT - 3/8 x 1-1/4 N.F. Hex	2
3 92- 6		LOCKWASHER - 3/8	4
4 95- 6		WASHER - plain 3/8	4
5 C 11114	3346	SPACER - gearbox	2
6 O 4284-CS		KEY - Square 3/16 x 1	2
7 85- 58		SCREW - set 5/16 x 1/2 N.C. Sq. Hd. Cup Point	4
8 C 11092	3252	PULLEY - 4" OD	1
9 14- 614		BOLT - 3/8 x 7/8 N.F. Hex	2
10 C 11106	5063	BRACKET - gearbox	1
11 C 11514	5137	BELT - 3V40	1
12 13- 512		BOLT - 5/16 x 3/4 N.C. Hex	1
13 92- 5		LOCKWASHER - 5/16	1
14 95- 5		WASHER - plain 5/16	1
15 C 11117	4612	GEARBOX (Repairs see page 15)	1
16 C 11109	5071	STRAP - gearbox tie	1
17 C 11515	5138	PULLEY - 4" OD 3V	1

casecoltingersoll.com

NUMERICAL INDEX

PART NO.	PAGE NO.	REF. NO.	PART NO.	PAGE NO.	REF. NO.	PART NO.	PAGE NO.	REF. NO.
B 12470	3	3	C 11083	3	19	C 11117	15	14
B 12470	7	3	C 11083	7	19	C 11117	17	15
B 12471	3	3	C 11084	5	43	C 11118	15	8
B 12471	7	3	C 11084	9	43	C 11119	15	2
B 12473	3	3	C 11085	3	27	C 11120	15	9
B 12473	7	3	C 11085	7	27	C 11121	15	10
B 12501	3	4	C 11087	5	52	C 11122	15	11
B 12501	7	4	C 11087	9	52	C 11123	15	13
B 12502	3	4	C 11088	5	53	C 11124	15	22
B 12502	7	4	C 11088	9	53	C 11225	15	3
B 12503	3	4	C 11089	15	1	C 11298	11	28
B 12503	7	4	C 11090	11	27	C 11298	13	20
C 10883	11	36	C 11090	13	19	C 11299	11	30
C 10883	13	35	C 11090	15	2	C 11299	13	26
C 10883	15	4	C 11091	11	12	C 11355	11	9
C 10898	11	31	C 11092	15	18	C 11356	15	15
C 10898	13	25	C 11092	17	8	C 11357	15	19
C 11059	13	36	C 11093	11	18	C 11438	3	1
C 11060	3	1	C 11093	13	15	C 11438	7	1
C 11060	7	1	C 11094	11	13	C 11439	3	32
C 11061	3	2	C 11094	13	9	C 11439	7	32
C 11061	7	2	C 11095	11	15	C 11440	3	13
C 11062	3	38	C 11095	13	11	C 11440	7	13
C 11062	7	38	C 11096	11	16	C 11441	3	39
C 11063	11	11	C 11096	13	22	C 11441	7	39
C 11065	3	5	C 11097	11	17	C 11442	3	21
C 11065	7	5	C 11097	13	13	C 11442	7	21
C 11066	3	6	C 11098	11	8	C 11443	5	46
C 11066	7	6	C 11098	13	7	C 11443	9	46
C 11067	3	9	C 11099	11	5	C 11444	3	30
C 11067	7	9	C 11099	13	6	C 11444	7	30
C 11068	3	32	C 11100	11	24	C 11446	3	35
C 11068	7	32	C 11100	13	16	C 11445	11	26
C 11069	3	20	C 11101	11	25	C 11445	13	18
C 11069	7	20	C 11101	13	17	C 11446	7	35
C 11070	5	40	C 11102	11	21	C 11447	11	41
C 11070	7	40	C 11102	13	22	C 11447	13	28
C 11071	3	13	C 11103	11	29	C 11513	13	27
C 11071	7	13	C 11103	13	21	C 11514	17	11
C 11072	3	39	C 11104	11	35	C 11515	17	17
C 11072	7	39	C 11104	13	37	C 11516	11	19
C 11073	3	24	C 11105	11	32	C 11516	13	14
C 11073	7	24	C 11106	15	20	C 11517	9	54
C 11074	3	25	C 11106	17	10	C 11518	5	42
C 11074	7	25	C 11107	15	9	C 11518	9	42
C 11075	3	23	C 11107	17	1	O 4284-CS	15	16
C 11075	7	23	C 11108	15	3	O 4284-CS	17	6
C 11076	3	26	C 11109	15	23	T 25683	15	1
C 11076	7	26	C 11109	17	16	NSS	15	7
C 11078	5	46	C 11110	11	34			
C 11078	9	46	C 11110	13	38			
C 11079	3	30	C 11111	11	37			
C 11079	3	30	C 11111	13	34			
C 11079	7	30	C 11114	15	10			
C 11080	5	48	C 11114	17	5			
C 11080	9	48	C 11116	3	16			
C 11081	5	54	C 11116	7	16			
C 11082	5	49	C 11117	15				

HARDWARE CODE NUMBERS

11-	410	3	14
11-	410	7	14
11-	512	3	31
11-	512	7	31
11-	616	11	1
11-	616	13	1

NUMERICAL INDEX

PART NO.	PAGE NO.	REF. NO.	PART NO.	PAGE NO.	REF. NO.	PART NO.	PAGE NO.	REF. NO.
13-	48	3	17	92-	6	17	3	
13-	48	7	17	92-	8	5	56	
13-	412	3	29	92-	8	9	56	
13-	412	7	29	92-	8	11	39	
13-	510	3	8	92-	8	13	30	
13-	510	7	8	95-	5	15	11	
13-	512	5	44	95-	5	17	14	
13-	512	9	44	95-	6	17	4	
13-	512	15	5	95-	8	5	57	
13-	512	17	12	95-	8	9	57	
13-	515	11	6	95-	8	11	40	
13-	528	15	12	95-	8	13	29	
13-	532	3	12	95-	16	3	20	
13-	532	7	12	95-	22	3	11	
13-	616	13	8	95-	22	7	11	
13-	620	11	4	96-	16	7	20	
13-	620	13	4	126-	16	5	47	
13-	812	11	38	126-	16	9	47	
13-	812	11	38	131-	307	5	45	
13-	812	13	31	131-	307	9	45	
13-	820	3	33	131-	350	5	15	
13-	820	7	33	131-	350	7	15	
13-	820	13	32	131-	508	3	36	
13-	824	5	58	131-	508	7	36	
13-	824	9	58	131-	508	11	20	
13-	840	11	22	131-	508	13	5	
13-	840	13	24	187-	992	3	10	
14-	614	15	21	187-	992	7	10	
14-	614	17	9	192-	19	15	5	
14-	620	15	6	192-	22	3	37	
14-	620	17	2	192-	22	7	37	
15-	105	15	13	193-	32	3	34	
17-	612	11	33	193-	32	7	34	
17-	612	13	30	195-	20	15	6	
25-	105	5	41	195-	22	11	14	
25-	105	9	41	195-	22	13	10	
25-	105	11	10	195-	24	11	7	
25-	106	11	3	195-	24	15	8	
25-	106	13	3	195-	26	5	50	
25-	128	13	33	195-	26	9	50	
25-	148	5	51	195-	521	3	18	
25-	148	5	55	195-	521	7	18	
25-	148	9	51	219-	6	3	22	
25-	148	9	55	219-	6	7	22	
25-	148	11	23					
25-	148	13	23					
25-	205	15	4					
85-	58	3	28					
85-	58	7	28					
85-	58	15	17					
85-	58	17	7					
92-	5	3	7					
92-	5	7	7					
92-	5	15	12					
92-	5	17	13					
92-	6	11	2					
92-	6	13	2					
92-	6	15	7					



HERE'S YOUR SET
OF REVISION PAGES
TO KEEP YOUR PARTS
DEPT. UP-TO-DATE!

Revision No.1

TO PAGES

9-10, 11-12, 13, 14

Parts Catalog No. 988
for

Haban 36" and 48" Snow Thrower

Insert the attached revised pages in your copy of the
above Catalog.

This Catalog has been printed in loose leaf style to
allow your Parts Department to keep their Catalogs
current and up-to-date. Insert these pages promptly
in their proper places. Remove and destroy the pages
they replace.

J. I. CASE CO.
Est. 1842 Racine, Wisconsin, U. S. A.

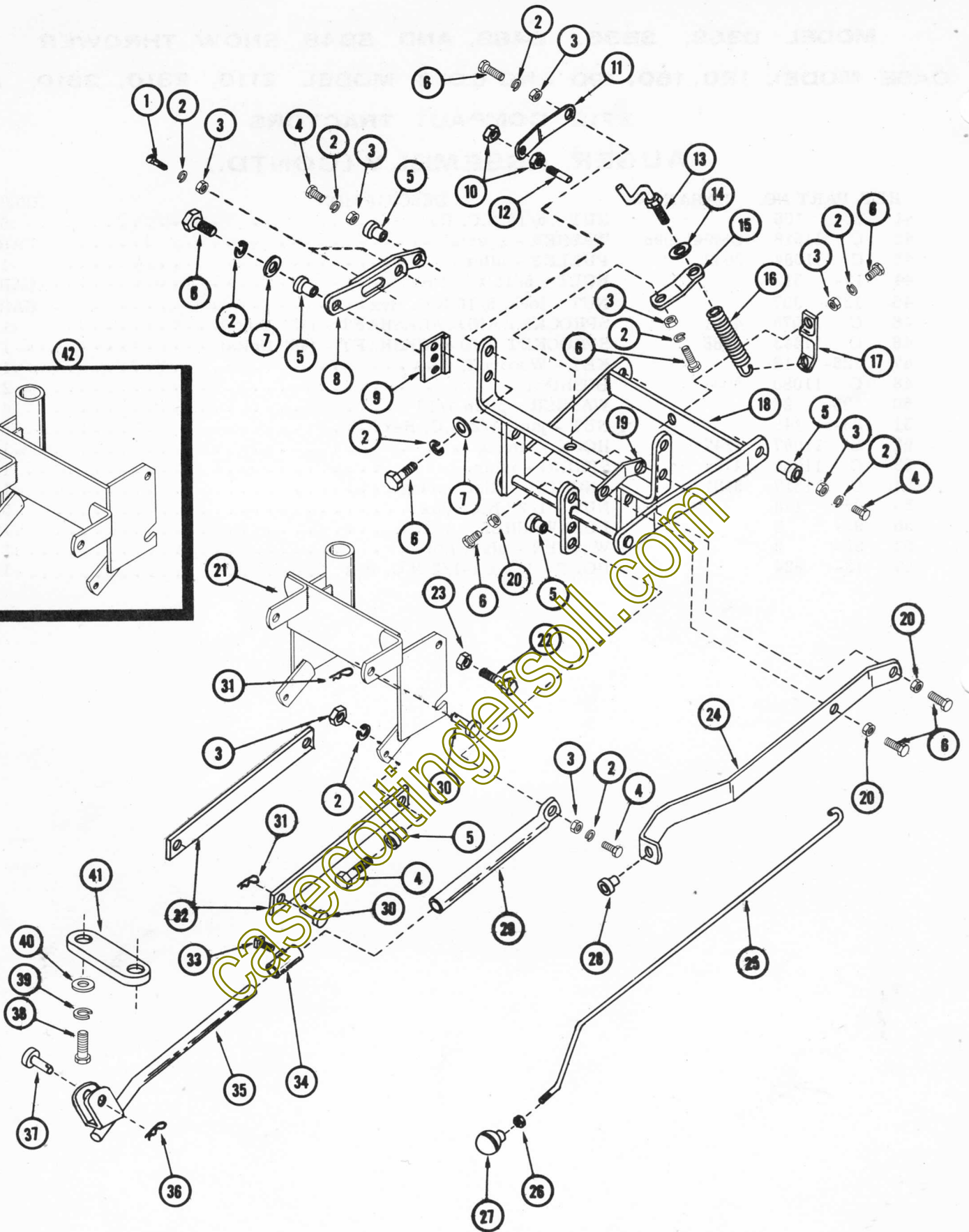
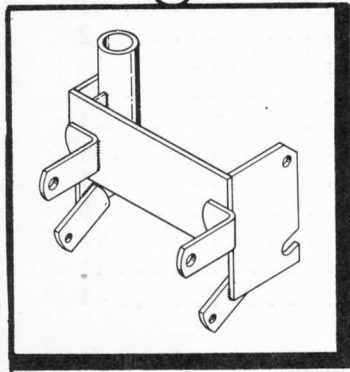
Printed in U.S.A.

Issued February 1968

**MODEL D36S, SB36, D48S, AND SB48 SNOW THROWER
CASE MODEL 120, 150, 190 AND COLT MODEL 2110, 2310, 2510, AND
2712 COMPACT TRACTORS
AUGER ASSEMBLY (CONTD.)**

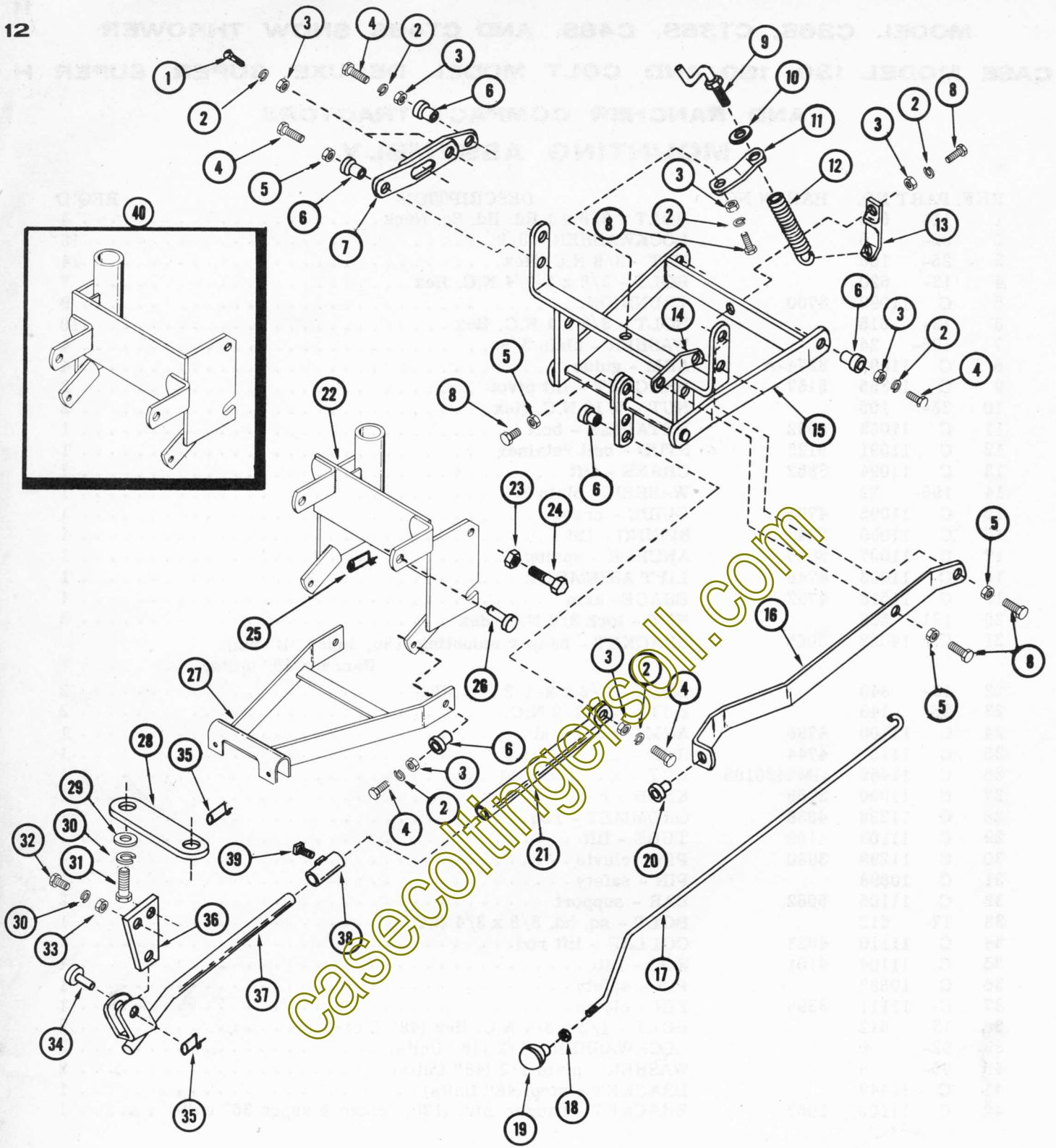
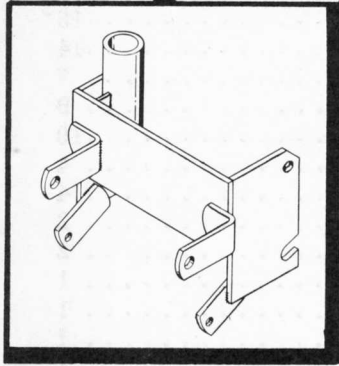
REF. PART NO.	HABAN NO.	DESCRIPTION	REQ'D
41 25- 105		NUT - 5/16 N.C. Hex	6
42 C 11518	GM9417098	WASHER - special	UAR
43 C 11084	3042	PULLEY - idler	1
44 13- 512		BOLT - 5/16 x 3/4 Hex	UAR
45 131- 307		NUT - lock, 5/16 N.C. Hex	UAR
46 C 11078	4801	SPROCKET AND JACKSHAFT - (36" Units)	1
46 C 11443	5088	SPROCKET AND JACKSHAFT - (48" Units)	1
47 126- 16		KEY - Woodruff, #9	1
48 C 11080	3034	BUSHING	2
50 195- 26		WASHER - plain 7/16	4
51 25- 148		NUT - jam, 1/2 N.C. Hex	5
52 C 11087	3247	HOOK - spring	1
53 C 11088	4798	SPRING - idler	1
54 C 11517	5131	ANCHOR - idler spring	1
55 25- 148		NUT - 1/2" N.C. Hex	5
56 92- 8		LOCKWASHER - 1/2	1
57 95- 8		WASHER - plain 1/2	1
58 13- 824		BOLT - 1/2 x 1-1/2 N.C. Hex	1

casecoltingersoll.com



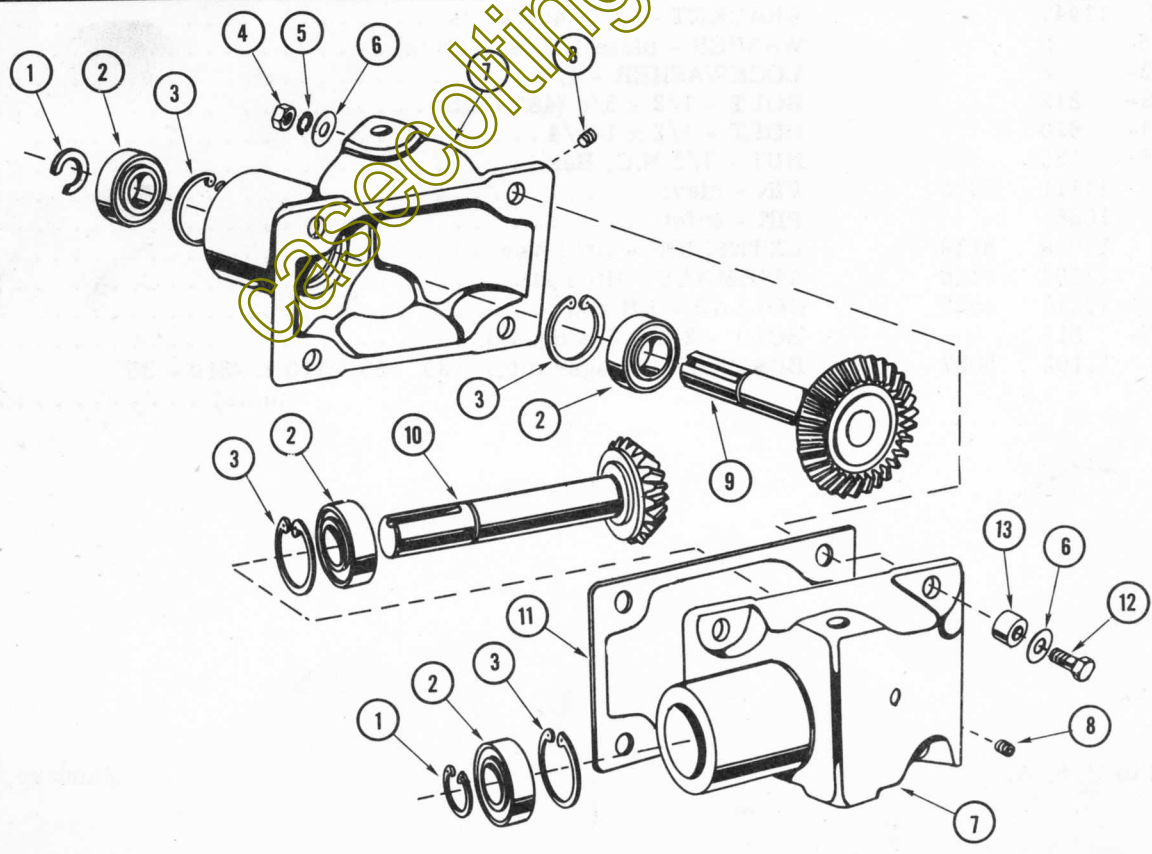
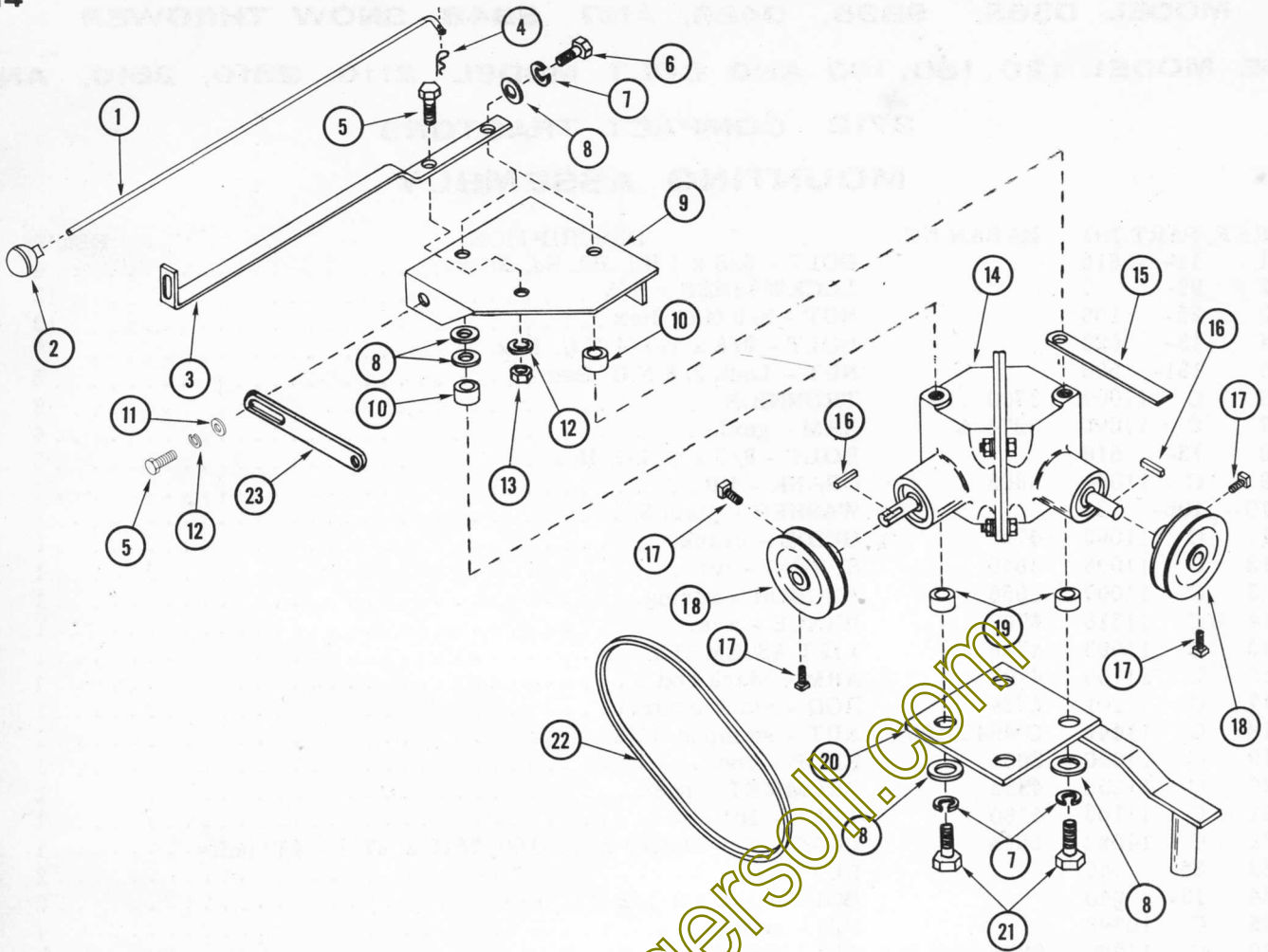
MODEL C36S, CT36S, C48S, AND CT48S SNOW THROWER
CASE MODEL 130, 180 AND COLT MODEL DELUXE, SUPER, SUPER H
AND RANCHER COMPACT TRACTORS
MOUNTING ASSEMBLY

REF. PART NO.	HABAN NO.	DESCRIPTION	REQ'D
1 11- 616		BOLT - 3/8 x 1 Rd. Hd. Sq. Neck	4
2 92- 6		LOCKWASHER - 3/8	18
3 25- 106		NUT - 3/8 N.C. Hex	14
4 13- 620		BOLT - 3/8 x 1-1/4 N.C. Hex	7
5 C 11099 3700		TRUNNION	9
6 13- 515		BOLT - 3/8 x 1 N.C. Hex	10
7 195- 24		WASHER - plain 3/8	4
8 C 11098 3274-A		ARM - guide	4
9 C 11355 5167		BRACKET - lift pivot	2
10 25- 105		NUT - 5/16 N.C. Hex	2
11 C 11063 5072		RETAINER - belt	1
12 C 11091 5126		STUD - belt retainer	1
13 C 11094 3852		CRANK - lift	1
14 195- 22		WASHER - plain 3/8	1
15 C 11095 4795		GUIDE - crank	1
16 C 11096 3849		SPRING - lift	1
17 C 11097 5056		ANCHOR - spring	1
18 C 11093 4748		LIFT ASSEMBLY	1
19 C 11516 4792		BRACE- arm	1
20 131- 508		NUT - lock 3/8 N.C. Hex	3
21 C 14082 5055		BRACKET - hanger mounting (180, Super "H" and Rancher 48" units)	1
22 13- 840		BOLT - 1/2 x 2-1/2 N.C. Hex	2
23 25- 148		NUT - jam 1/2 N.C.	2
24 C 11100 4796		ARM - stack rod	1
25 C 11101 4744		ROD - chute control	1
26 C 11445 GM9420165		NUT - 5/16 stamped	1
27 C 11090 3068		KNOB - rod	1
28 C 11298 4838		GROMMET - rod	1
29 C 11103 4180		TUBE - lift	1
30 C 11299 3980		PIN - clevis	4
31 C 10898		PIN - safety	4
32 C 11105 5062		BAR - support	2
33 17- 612		BOLT - sq. hd. 3/8 x 3/4 N.C.	1
34 C 11110 4523		COLLAR - lift rod	1
35 C 11104 4161		ROD - lift	1
36 C 10883		PIN - safety	1
37 C 11111 3398		PIN - clevis	1
38 13- 812		BOLT - 1/2 x 3/4 N.C. Hex (48" Units)	2
39 92- 8		LOCKWASHER - 1/2 (48" Units)	2
40 95- 8		WASHER - plain 1/2 (48" Units)	2
41 C 11447		BRACKET - stop (48" Units)	1
42 C 11102 5057		BRACKET - hanger mtg. (130, deluxe & super 36" units)	1



MODEL D36S, SB36, D48S, AND SB48 SNOW THROWER
CASE MODEL 120, 150, 190 AND COLT MODEL 2110, 2310, 2510, AND
2712 COMPACT TRACTORS
MOUNTING ASSEMBLY

REF. PART NO.	HABAN NO.	DESCRIPTION	REQ'D
1	11- 616	BOLT - 3/8 x 1 Rd. Hd. Sq. Neck	4
2	92- 6	LOCKWASHER - 3/8	13
3	25- 106	NUT - 3/8 N.C. Hex	13
4	13- 620	BOLT - 3/8 x 1-1/4 N.C. Hex	7
5	131- 508	NUT - Lock 3/8 N.C. Hex	5
6	C 11099 3700	TRUNNION	9
7	C 11098 3274-A	ARM - guide	4
8	13- 616	BOLT - 3/8 x 1 N.C. Hex	5
9	C 11094 3852	CRANK - lift	1
10	195- 22	WASHER - plain 3/8	1
11	C 11095 4795	GUIDE - crank.	1
12	C 11096 3849	SPRING - lift.	1
13	C 11097 5056	ANCHOR - spring.	1
14	C 11516 4792	BRACE - arm	1
15	C 11093 4748	LIFT ASSEMBLY.	1
16	C 11100 4796	ARM - stack rod	1
17	C 11101 4744	ROD - stack control	1
18	C 11445 GM9420165	NUT - stamped 5/16	1
19	C 11090 3068	KNOB - rod.	1
20	C 11298 4338	GROMMET - rod	1
21	C 11103 4180	TUBE - lift.	1
22	C 14082 5055	BRACKET - hanger mtg. (190, 2510 & 2712 - 48" units.	1
23	25- 148	NUT - jam	2
24	13- 840	BOLT - 1/2 x 2-1/2 N.C. Hex	2
25	C 10898	PIN - safety	4
26	C 11299 3980	PIN - clevis	2
27	C 12814 5132	SUPPORT - wishbone	1
28	C 11447	BRACKET - stop (48" Units)	1
29	95- 8	WASHER - plain 1/2 (48" Units)	2
30	92- 8	LOCKWASHER - 1/2	2
31	13- 812	BOLT - 1/2 x 3/4 (48" Units)	2
32	13- 820	BOLT - 1/2 x 1-1/4	2
33	25- 128	NUT - 1/2 N.C. Hex	2
34	C 11111 3398	PIN - clevis	1
35	C 10883	PIN - safety	1
36	C 11059 5129	EXTENSION - lift lever	1
37	C 11104 4146	ASSEMBLY - lift rod	1
38	C 11110 4523	COLLAR - lift rod	1
39	17- 612	BOLT - 3/8 x 3/4 Sq. Hd.	1
40	C 11102 5057	BRACKET - hanger mtg. (130, 150, 2110 & 2310 - 36" units)	1



Be Safe...

***Insist on
GENUINE***

CASE[®]

PARTS!