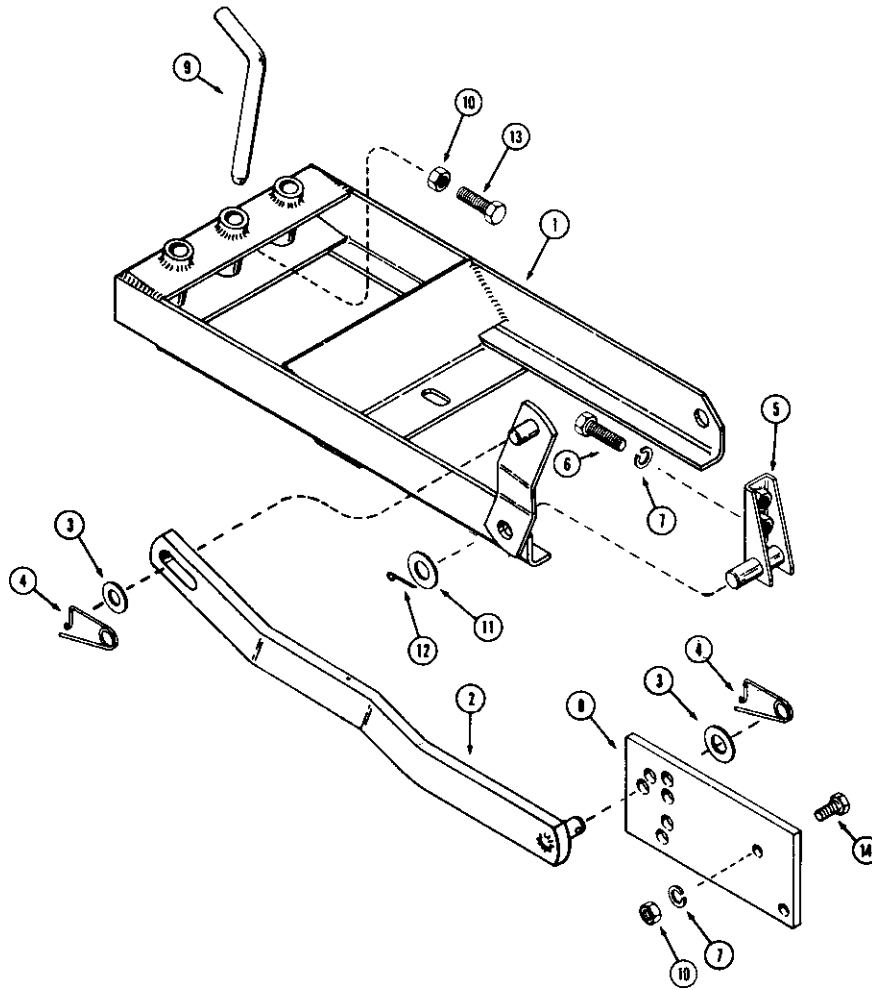


K22, K22-1, K24 AND K24-1 SLEEVE HITCH



**K22 & K22-1 SLEEVE HITCH (Used on 3000 Series)
K24 & K24-1 SLEEVE HITCH (Used on 4000 Series)**

REF.	PARTNO.	DESCRIPTION	REQ'D
1	NSS	HITCH FRAME ASSEMBLY (K24) shown	1
1	C47812 *	HITCH FRAME ASSEMBLY (K24-1).....	1
1	C23707	HITCH FRAME ASSEMBLY (K22).....	1
1	C47802 *	HITCH FRAME ASSEMBLY (K22-1).....	1
2	C25371	ARM - lift	1
3	195-541	WASHER - plain 21/32".....	2
4	C10898	PIN - retaining	2
5	C14459	BRACKET - hitch mounting R.H. (K22 and K24) (shown).....	1
5	C47807 *	BRACKET - hitch mounting R.H. (K22-1 and K24-1)	1
5	C25789	BRACKET - hitch mounting L.H. (K22 and K24)	1
5	C47809 *	BRACKET - hitch mounting L.H. (K22-1 and K24-1)	1
6	113-2400	BOLT - 1/2" hex, zinc (for K22 and K24)	4
6	113-422	BOLT - 1/2" hex, zinc (for K22-1 and K24-1) also use 113-441 (1) for LH Top Hole.....	3
7	192-23	LOCKWASHER - 1/2" zinc.....	6
8	C25382	PLATE - lift lever	1
9	C14568	PIN - drawbar	1
10	129-105	NUT - 1/2"N.C. hex, zinc	4
11	195-545	WASHER - plain 3/4" zinc	2
12	132-306	PIN - cotter 3/16" x 1-3/4"	2
13	22-844	BOLT - 1/2" x 2" N.C. hex, zinc	2
14	113-417	BOLT - 1/2" x 2-3/4" hex.....	2

* NOTE: K22-1 and K24-1 hitches will fit on all 3000 and 4000 series tractors (including those with ribbed transmissions)
K22 and K24 hitches will only fit on 3000 and 4000 Series tractors prior to PIN 17193395 (without ribbed transmissions)