



**Model 446  
Compact Tractor**

**Parts Catalog 1257**

*casecollectorsoll.com*

**J I Case**  
A Tenneco Company



PRICE 75 CENTS

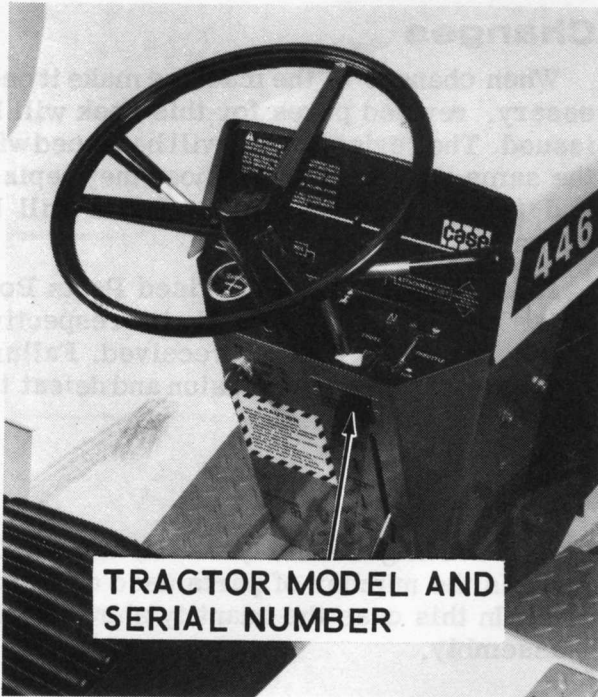
# CASE MODEL 446 COMPACT TRACTOR

Parts Catalog No. 1257

Hi-Liter 2500 5-73 PRINTED  
IN  
U.S.A.



## CASE 446 COMPACT TRACTOR



TRACTOR MODEL AND SERIAL NUMBER



ENGINE MODEL, SERIAL AND SPECIFICATION NUMBERS (UNDER TRACTOR MUFFLER)

TRACTOR MODEL DESIGNATIONS	ENGINE MODEL DESIGNATIONS
446 TRACTOR	Onan BF-MS C19029 Engine

**NOTE** For Onan engine service parts refer to Onan Parts and Service Manual No. 965-250 and Supplementary Instruction Sheet No. 965-1004. These publications are available from: ONAN, 1400 - 73rd Ave. North East, Minneapolis, Minn. 55432.

### SERIAL NUMBERS

When using this catalog, notice the reference to serial numbers of various components noted here and listed in the "description" copy. By referring to correct serial numbers, proper parts identification will be assured.

## Indexes

This Parts Catalog is arranged for easy identification of Genuine CASE Service Parts. An alphabetical index is provided at the front of this Catalog to locate the major groups or assemblies. A numerical index at the rear of the Catalog gives the part numbers and the pages on which they are described.

## Illustrations

All parts are illustrated in "Exploded Views" which show the individual parts in their normal relationship to each other. Reference numbers are used in the illustrations. These numbers correspond to those in the "Reference Number" column and are followed by the part number, description and quantity required.

## Orders

Orders should plainly specify correct part number, full description, quantity required, machine model and engine model, machine and engine serial numbers, method of shipment and shipping address.

## Changes

When changes to the machine make it necessary, revised pages for this book will be issued. The revised pages will be issued with the same page number as those they replace and the "issue" number and date will be advanced.

It is imperative that revised Parts Book pages be inserted into their respective Parts Books as soon as received. Failure to do so will lead to confusion and defeat the purpose of the book.

## Indented Description

Indented parts in the descriptive list are a part of the preceding assembly or sub-assembly. The quantity shown in the "Number Required" column is the number of parts used on a machine except where parts are indented in descriptive list. In this case the quantity shown is the number required for the preceding assembly or sub-assembly.

REF.	PART NO.	DESCRIPTION	REQ'D
	A 55159	CYLINDER ASSY - rear steering . . . . .	1
28	A 56208	SOCKET ASSY - rear cylinder . . . . .	1
29	A 55956	PLUG - adjusting, socket assy . . . . .	1
30	A 55957	SEAT - socket ball. . . . .	2
31	A 56210	SPRING - socket . . . . .	1
32	A 56209	SEAT - socket spring . . . . .	1
33	G 45175	CLAMP ASSY - socket assy . . . . .	1
	16- 836	BOLT - 1/2" x 2-1/4" N.F.hex. . . . .	1
34	132- 104	PIN - cotter, 3/16" x 3". . . . .	1
35	A 55889	STUD - ball, socket & cylinder . . . . .	2
36	13- 410	BOLT - 1/4" x 5/8" N.C., hex. . . . .	4
37	92- 4	LOCKWASHER - 1/4" SAE . . . . .	4

## Terms "Right Hand" and "Left Hand"

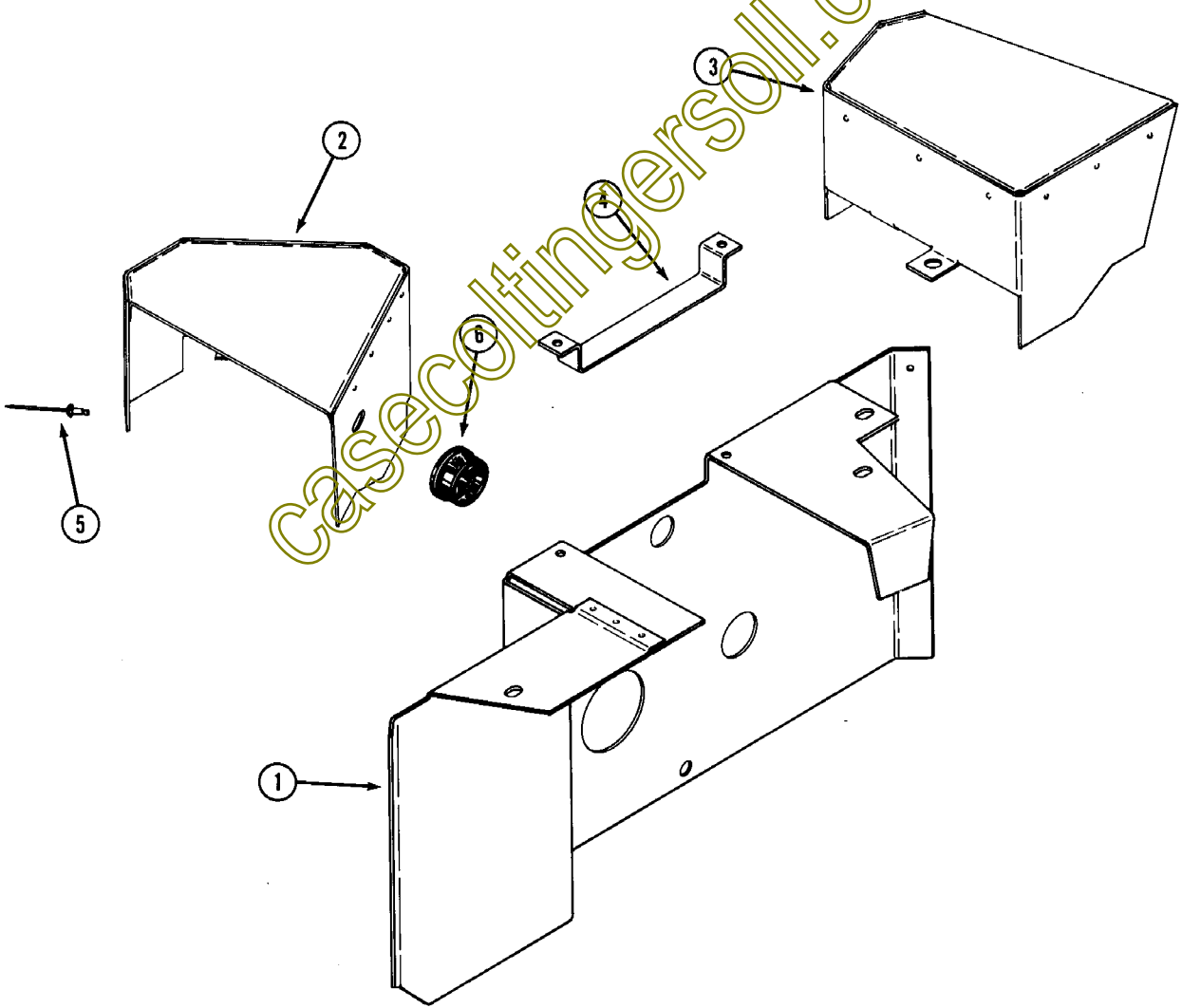
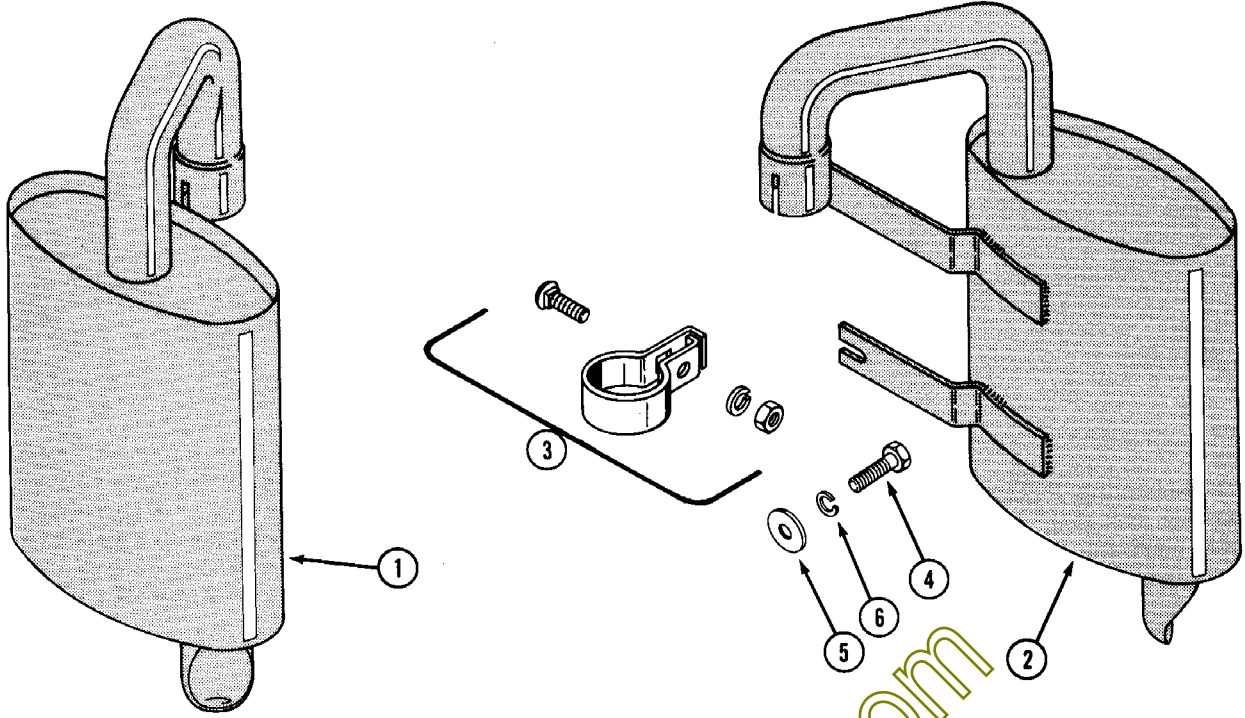
"Right Hand" and "Left Hand" sides of this machine are determined by standing at the rear of the unit and facing in the direction of forward travel.

## ALPHABETICAL INDEX ENGINE SECTION

	Page		Page
Battery .....	35	Fuel System .....	7
Choke .....	7	Governor .....	7
Clutch Assembly PTO .....	11	Muffler .....	5
Electrical System .....	35-37	Pulley, Clutch .....	9
Exhaust System .....	5	Tank, Fuel .....	7
Fan .....	11	Throttle .....	7

## BASIC TRACTOR SECTION

	Page		Page
Axle, Front .....	17	Implement Lift Lever .....	33
Axle, Rear .....	31	Instruments .....	35
Baffles & Heat Shields .....	5	Model D10 Wheel Weights .....	47
Brakes .....	21	Model F27 Three Point Hitch Adapter .....	43
Control-Speed .....	25	Model H26 Three Point Hitch .....	41
Decals .....	39	Model H24 Sleeve Hitch .....	45
Electrical System .....	35-37	Model H13 Weight Box .....	49
Fenders .....	15	Model H18 Counterweight Brackets .....	49
Frame .....	13	Model J17 Hydraulic PTO Kit .....	51-53
Grille .....	13	Model J19 Flow Control Valve Kit .....	55
Hitch .....	27	Model J30 Hydraulic Lift .....	33
Hood .....	13	Pulley Clutch .....	9
Hydraulics .....	23-29	Seat, Operator's .....	15
Coupling, Pump Drive .....	25	Steering Wheel & Gear .....	19
Hoses, Lines & Fittings .....	23	Tool Box .....	15
Motor, Hydraulic Drive .....	29	Transmission .....	31
Pump .....	25	Wheels, Front & Rear .....	21
Reservoir Mtg. ....	9		



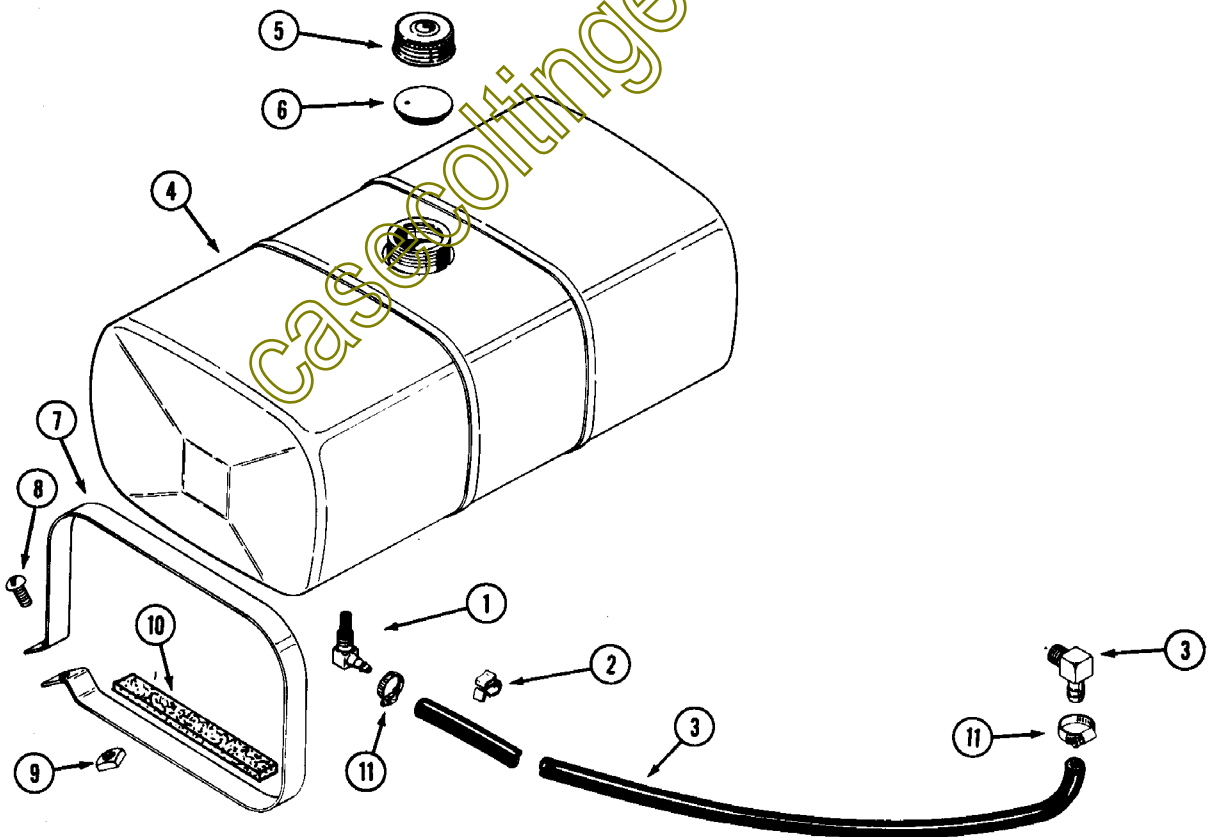
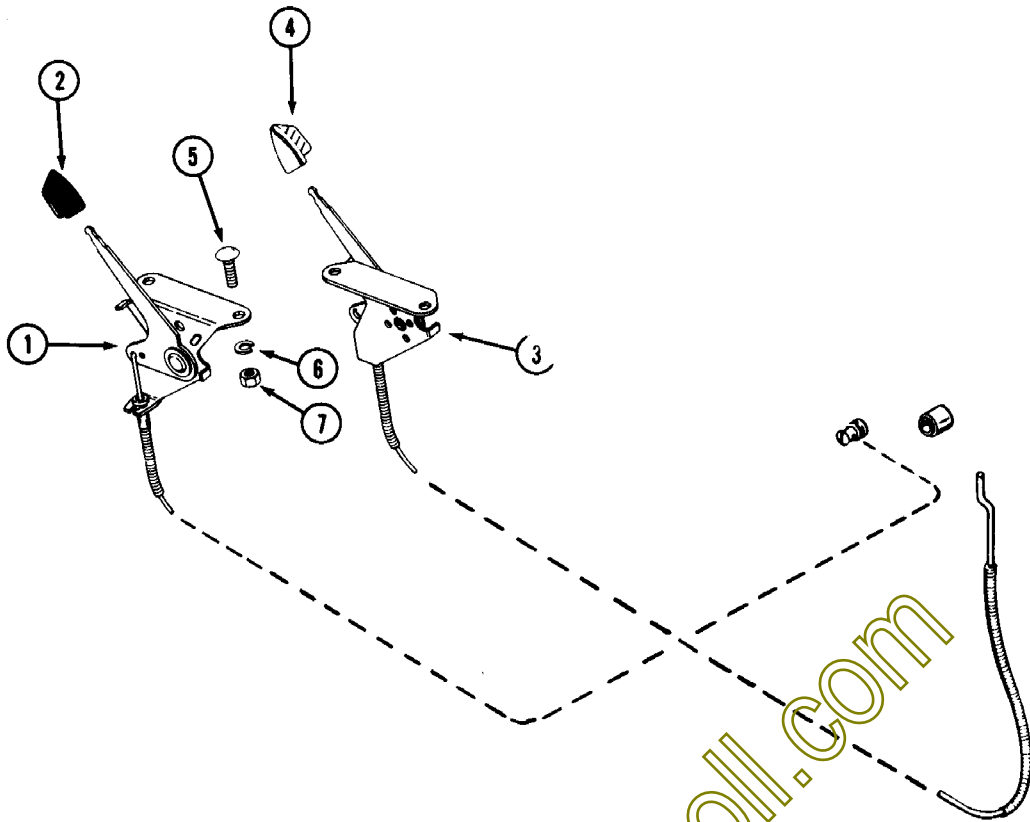
**EXHAUST SYSTEM**

REF.	PART NO.	DESCRIPTION	REQ'D
1	C 19195	MUFFLER - exhaust R.H. ....	1
2	C 19194	MUFFLER - exhaust L.H. ....	1
3	C 18216	CLAMP ASS'LY - muffler ....	2
4	113- 3	BOLT - 1/4" NC x 3/4" hex. ....	4
5	C 17245	WASHER - plain 1/4" ....	12
6	192- 19	LOCKWASHER - 1/4" ....	4

**HEAT SHIELD AND BAFFLES**

1	C 18886	SHIELD - heat ....	1
2	C 19261	BAFFLE - R.H. ....	1
3	C 19260	BAFFLE - L.H. ....	1
4	C 19432	BAFFLE - point box ....	1
5	151- 525	RIVET - pop 1/8" diam. x 1/4" dome head ....	4
6	353- 495	BUSHING ....	1

casecollecting.com





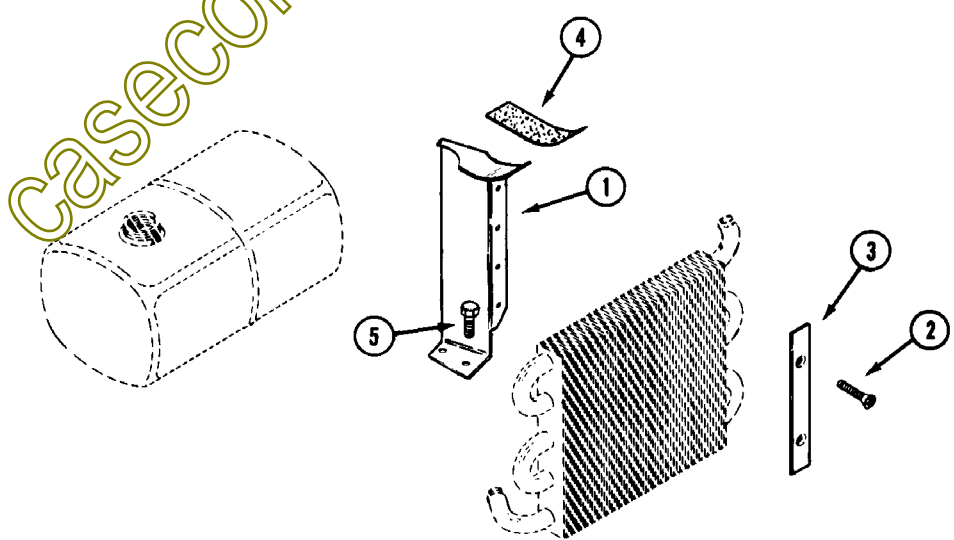
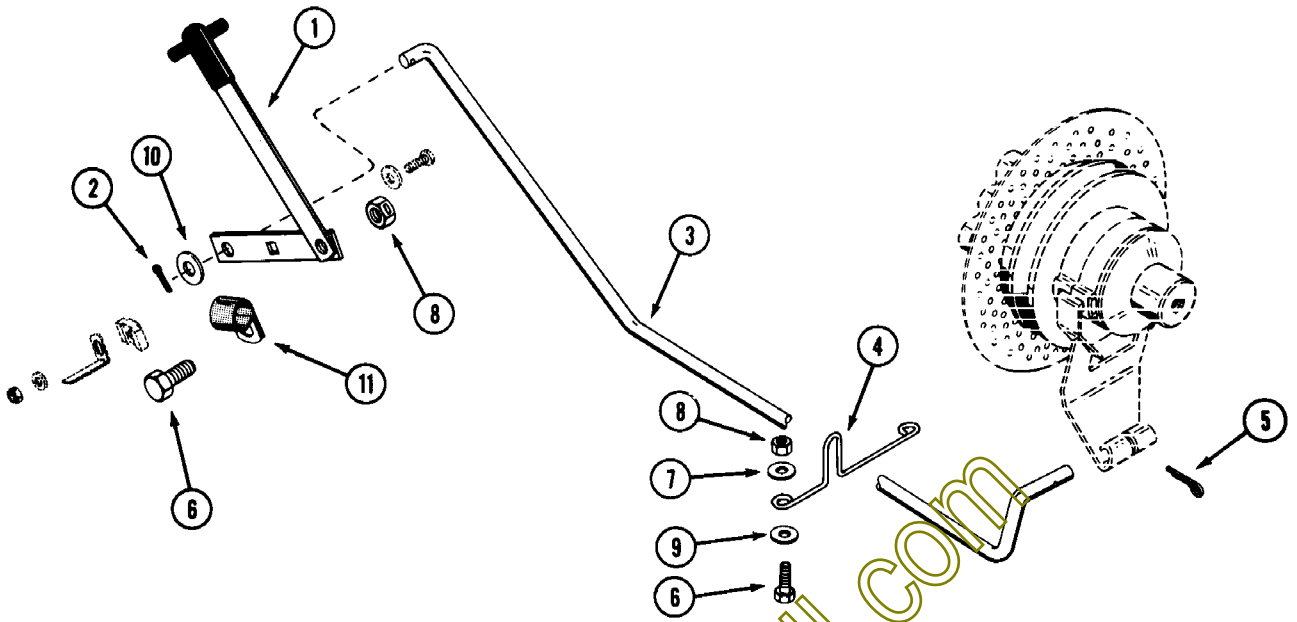
**CHOKE, THROTTLE AND GOVERNOR**

REF.	PART NO.	DESCRIPTION	REQ'D
1	C 19240	CONTROL - throttle	1
2	C 12224	HANDLE - throttle control, black	1
3	C 19239	CONTROL - choke	1
4	C 14506	HANDLE - choke control, white	1
5	111- 1	BOLT - 10-24 x 1/2" round head, square neck	2
6	192- 18	LOCKWASHER - #10 Std. plated	2
7	129- 17	NUT - #10-24 plated	2

**FUEL SYSTEM**

1	C 10657	ELBOW ASSEMBLY - fuel tank	1
2	C 14157	CLIP - fuel line	2
3	C 19238	HOSE - fuel line 43"	1
4	C 16363	TANK - fuel	1
5	C 11529	CAP - fuel tank (Includes insert)	1
6	C 11545	INSERT - fuel cap	1
7	C 16796	STRAP - fuel tank mounting	2
8	173- 215	SCREW - 1/4 x 1/2" NC round head, machine, zinc plated	2
9	129- 504	NUT - square 1/4" NC	2
10	C 14690	CUSHION - fuel tank	2
11	214- 251	CLAMP - hose 1/2"	2

casecoltingersoil.com



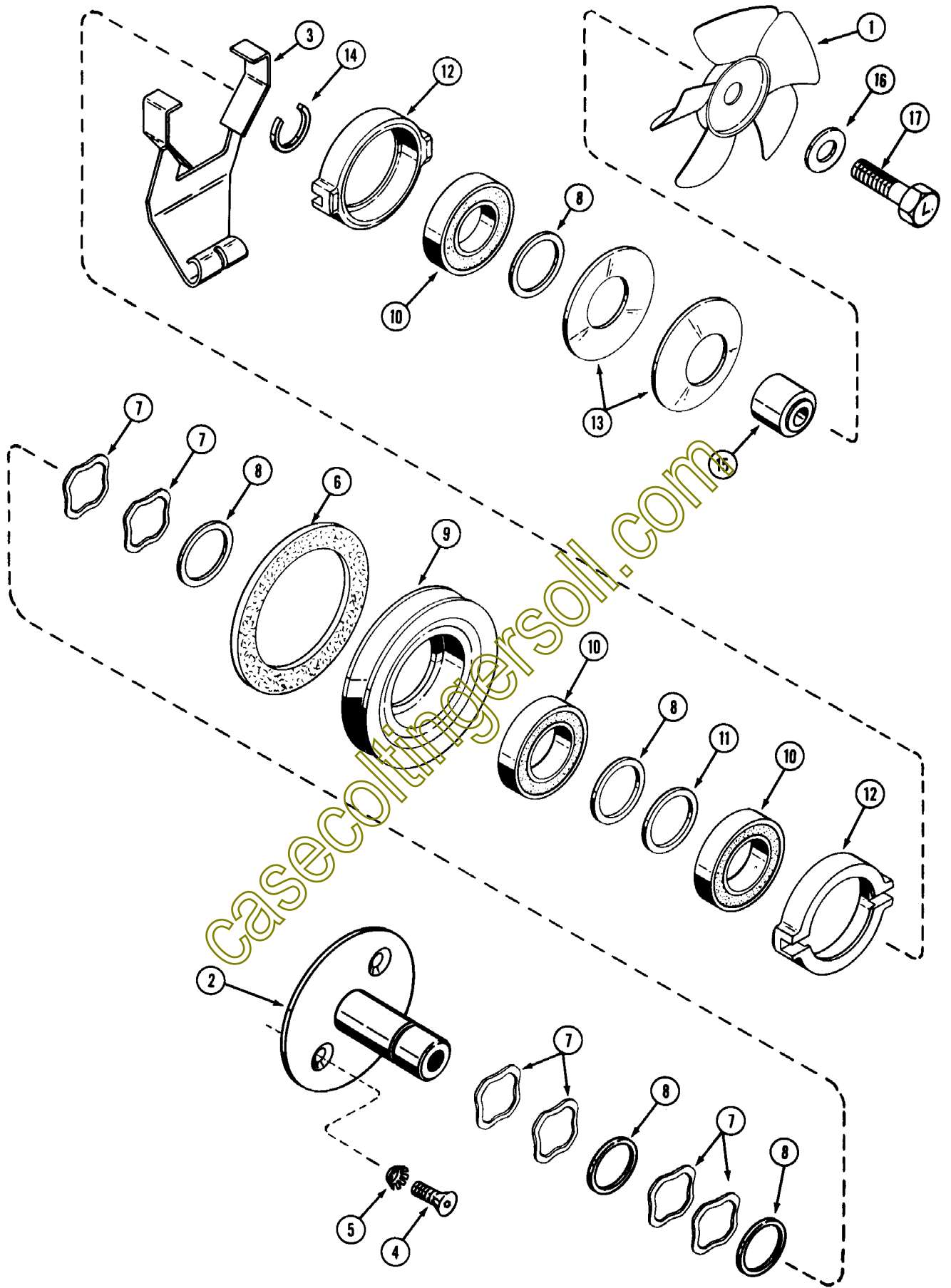
Casecoltingersoll.com

**PULLEY CLUTCH & LINKAGE**

REF.	PART NO.	DESCRIPTION	REQ'D
1	C 19362	LEVER - clutch	1
2	131- 178	LOCKNUT - 3/8" NC hex	1
3	C 18911	ROD - clutch	1
4	C 18825	RETAINER - clutch rod	1
5	132- 48	PIN - cotter 1/8" x 1"	1
6	113- 207	BOLT - 3/8" x 1" NC hex	3
7	132- 46	PIN - cotter 1/8" x 3/4"	1
8	131- 118	LOCKNUT - 3/8" NC hex	3
9	195- 104	WASHER - 3/8"	2
10	195- 525	WASHER - 3/8"	1

**HYDRAULIC RESERVOIR MOUNTING**

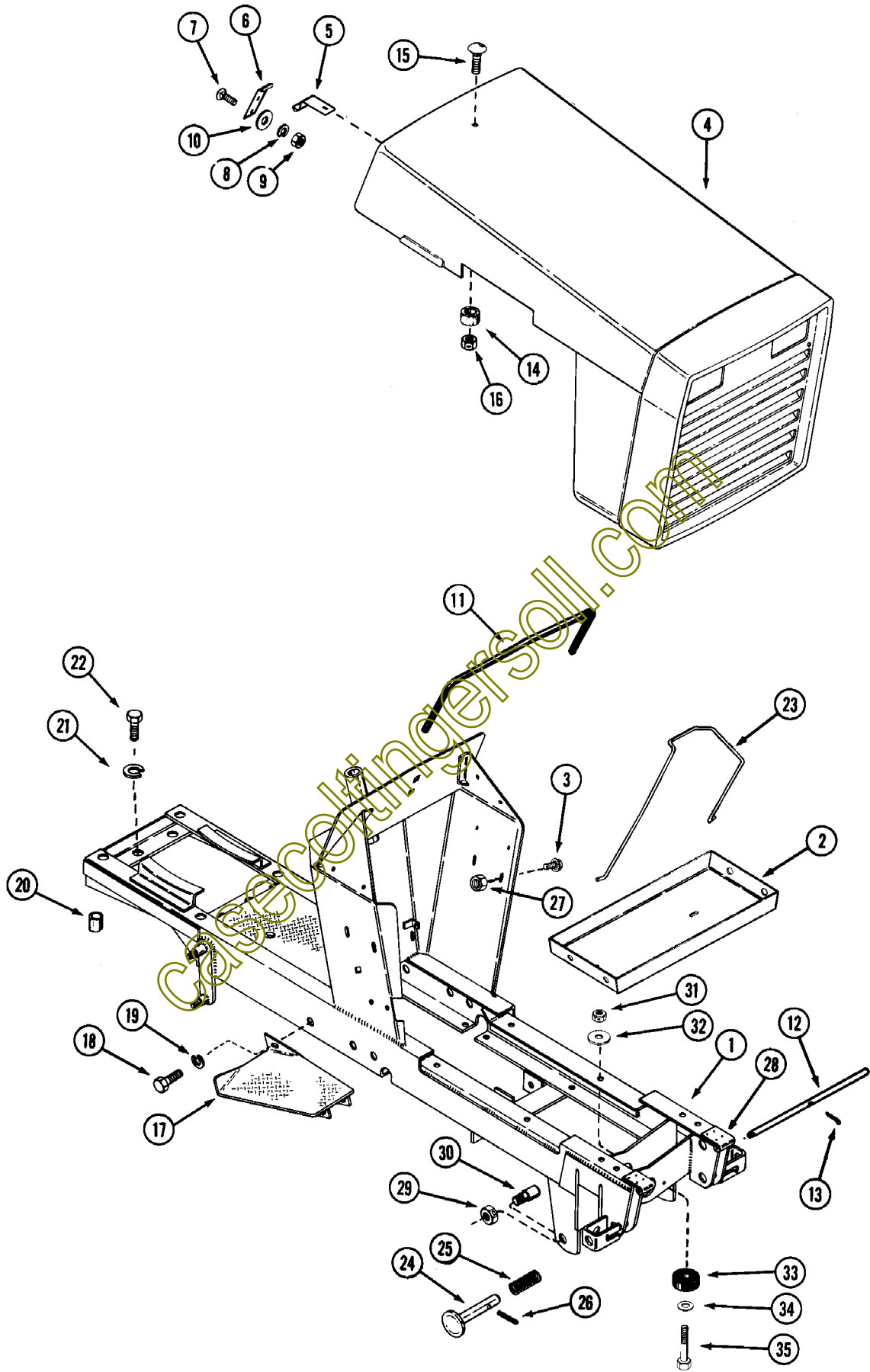
1	C 14240	SUPPORT - reservoir mounting R.H.	1
1	C 14241	SUPPORT - reservoir mounting L.H.	1
2	187- 1251	SCREW - 1/4 x 1-1/4" NC flat head Phillips	4
3	C 14246	BRACKET - heat exchanger mounting	2
4	C 14690	CUSHION - reservoir	2
5	113- 118	BOLT - 5/16 x 5/8" NC hex	4



## CLUTCH ASSEMBLY (PTO)

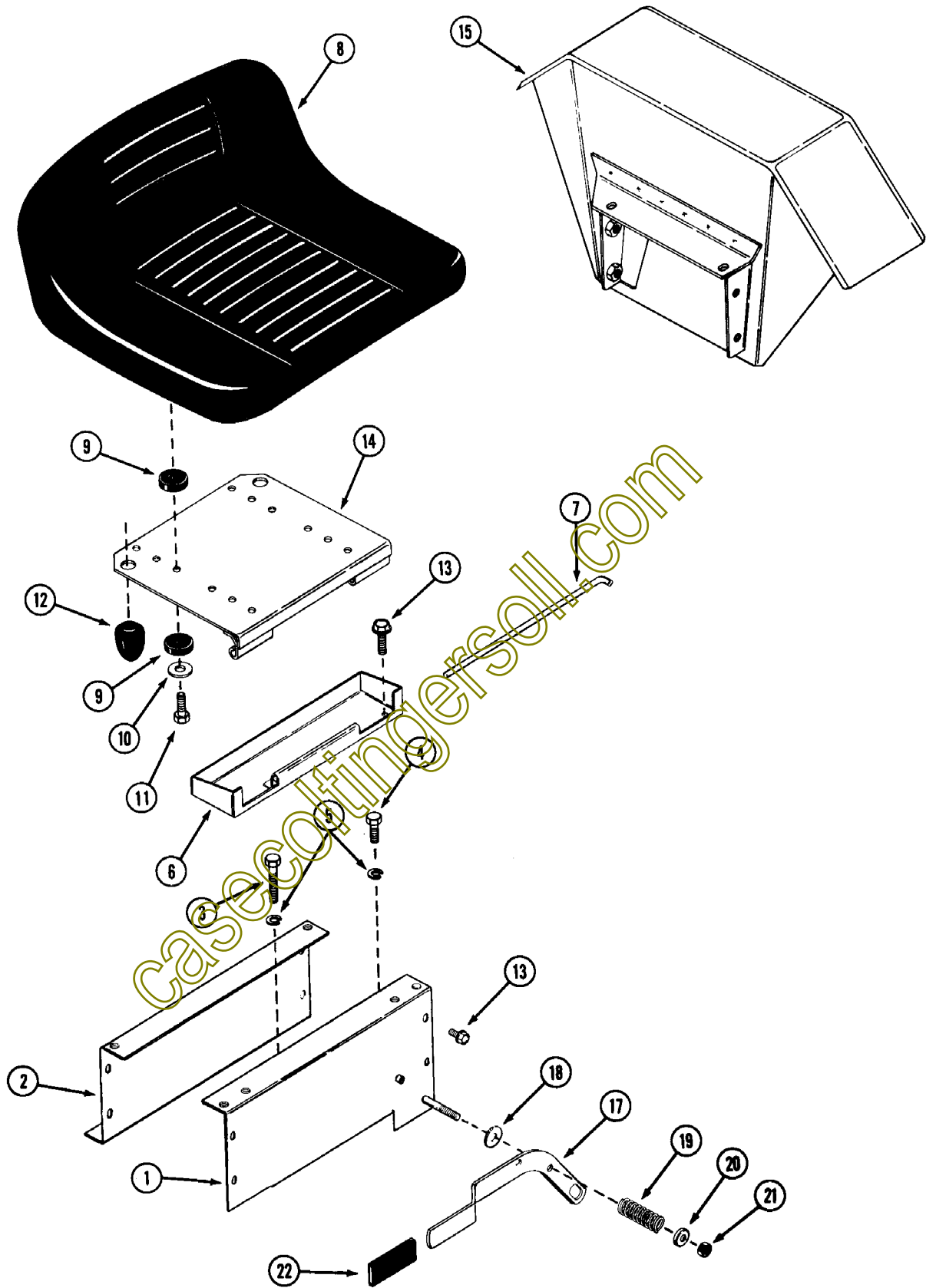
REF.	PART NO.	DESCRIPTION	REQ'D
	C 18910	CLUTCH ASSEMBLY .....	1
1	C 16616	FAN - cooling .....	1
2	C 18901	HUB - clutch .....	1
3	C 19363	ARM - engaging .....	1
4	164- 41	BOLT - 5/16" x 3/4" NC flat head socket .....	2
5	193- 76	LOCKWASHER - 5/16" countersunk external tooth .....	2
6	C 14291	DISC - friction .....	2
7	C 15515	WASHER - spring .....	4
8	C 15557	WASHER - spacer .050" .....	UAR
9	C 15719	PULLEY - clutch .....	1
10	C 14295	BEARING - cam and pulley .....	3
11	C 15556	WASHER - spacer .010" .....	UAR
12	C 14293	CAM - clutch .....	2
13	C 16786	SPRING - clutch load .....	2
14	F 59014	RING - retaining .....	1
15	C 18908	SPACER - hub .....	1
16	O 2815N	WASHER - fan 17/32" .....	1
17	C 18940	BOLT - 1/2" x 1-3/4" NC hex L.H. threads .....	1

casecoltingersoll.com



## HOOD, FRAME AND GRILLE

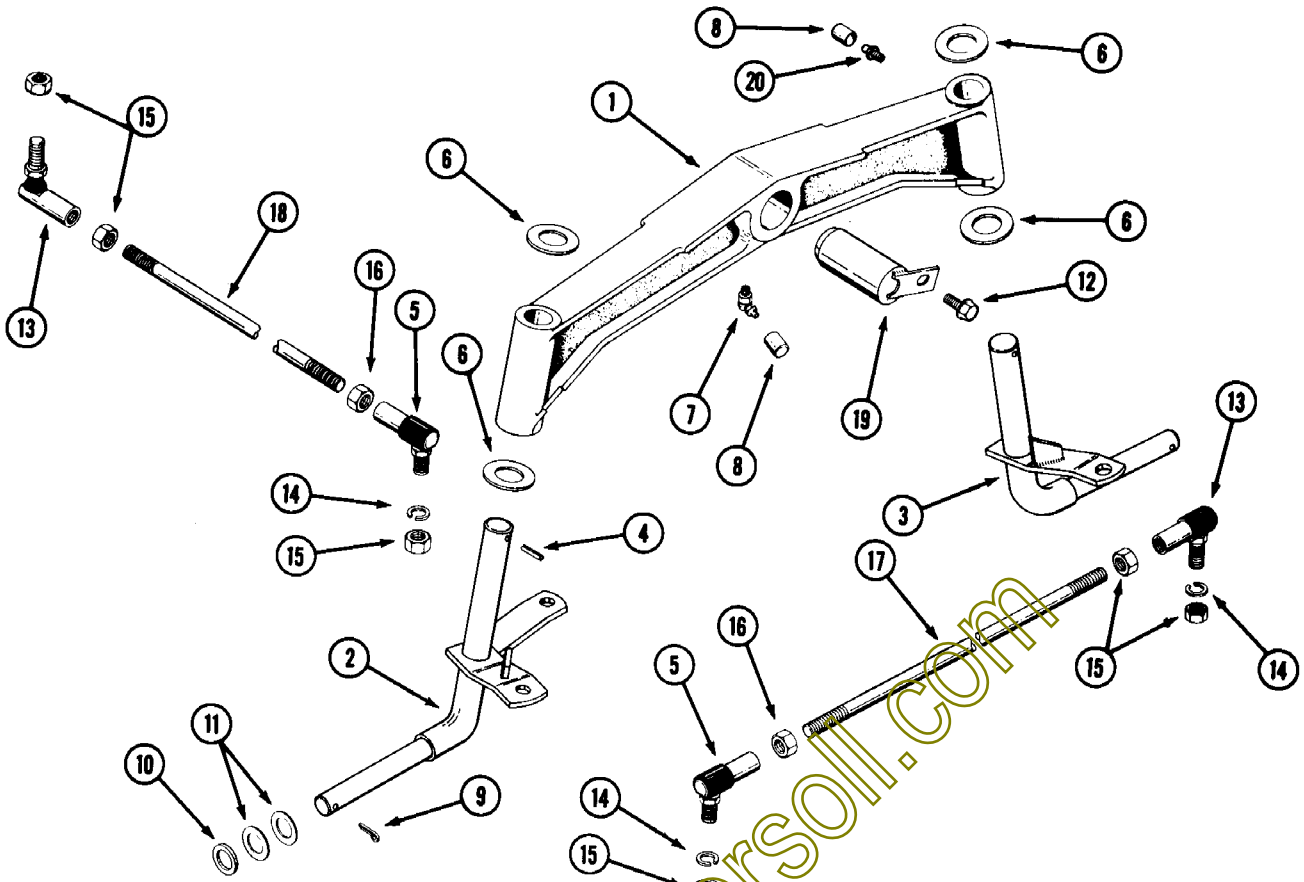
REF.	PART NO.	DESCRIPTION	REQ'D
1	C 18991	FRAME - main	1
2	C 16170	TRAY - battery	1
3	121- 106	SCREW - 5/16" x 1/2" whizlock	4
4	C 19245	HOOD AND GRILLE ASSEMBLY	1
5	C 15183	SPRING - hood latch	1
6	C 15184	LATCH - hood	1
7	111- 1	BOLT - #10 x 1/2" NC round head, square neck	2
8	192- 18	LOCKWASHER - #10	2
9	129- 17	NUT - #10 NC hex	2
10	195- 512	WASHER - 7/32" zinc plated	2
11	C 18153	CHANNEL - instrument panel liner	1
12	C 16362	ROD - hood hinge	1
13	132- 46	PIN - cotter 1/8" x 3/4"	1
14	C 14500	SPACER - hood	1
15	111- 109	BOLT - 1/4" x 1-1/4" NC round head, square neck	1
16	131- 71	LOCKNUT - 1/4" NC hex	1
17	C 18890	PAD - foot L.H.	1
17	C 18150	PAD - foot R.H.	1
18	13- 514	BOLT - 5/16" x 7/8" NC hex	2
19	192- 20	LOCKWASHER - 5/16"	2
20	C 14729	SPACER - rear frame	2
21	192- 23	LOCKWASHER - 1/2"	4
22	113- 424	BOLT - 1/2" NC hex	4
23	C 16239	STRAP - battery hold down	1
24	C 16373	PIN - latch	2
25	C 16374	SPRING - latch	2
26	138- 319	PIN - roll 3/16" x 1-1/4"	2
27	129- 102	NUT - 5/16" NC hex	4
28	C 16351	HINGE - frame	2
29	131- 159	LOCKNUT - 1/2" NF	2
30	C 18733	PIN - attachment	2
31	131- 179	LOCKNUT - 3/8" NC	4
32	195- 525	WASHER - plain 3/8" x 13/16" O.D. (over engine foot pad)	4
33	C 15410	CUSHION - washer	4
34	195- 2029	WASHER - plain 3/8" x 1-1/4" O.D. (under cushion)	8
35	113- 219	BOLT - 3/8" hex x 2-1/4" NC	4





## SEAT, FENDERS AND TOOL TRAY

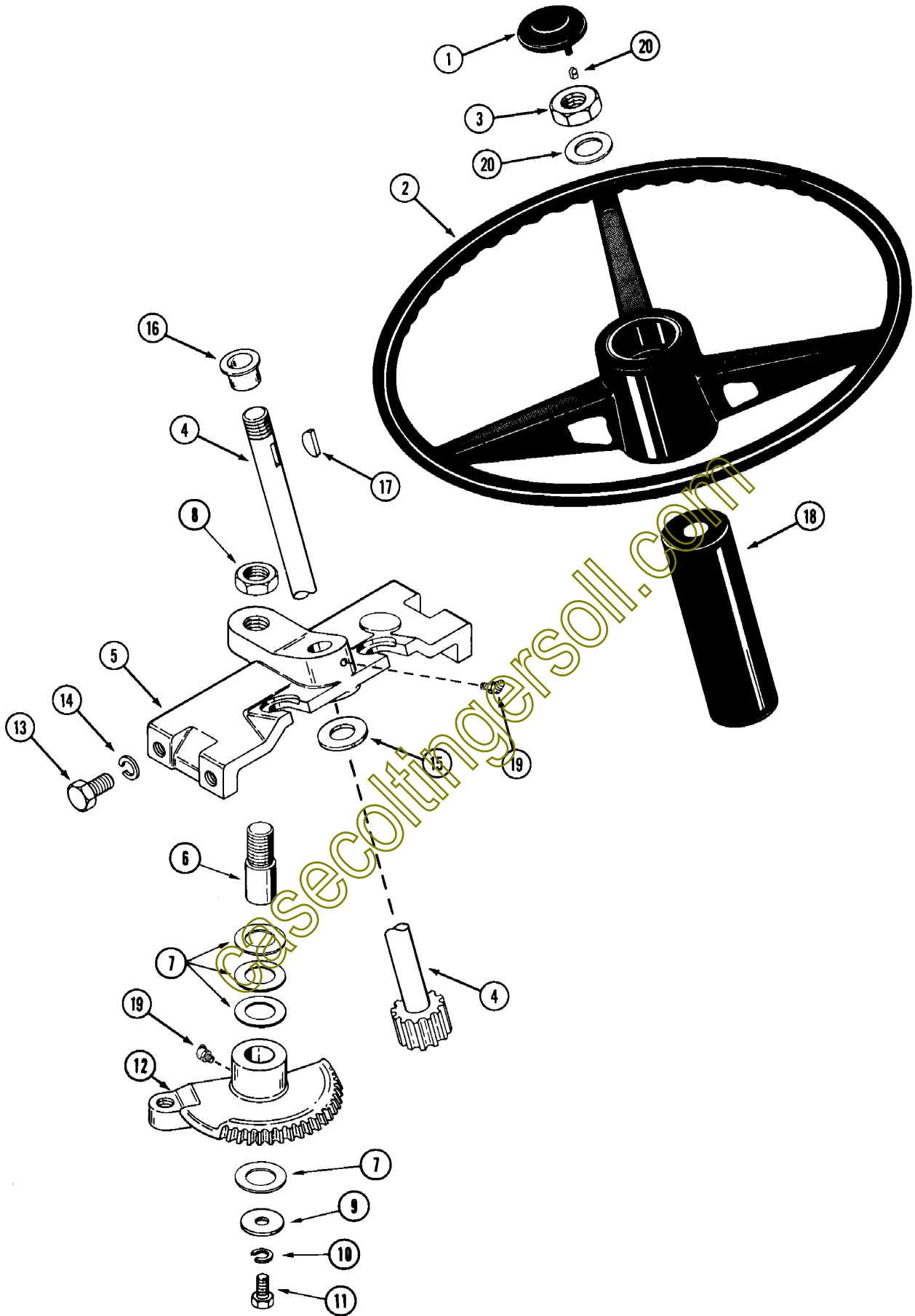
REF.	PART NO.	DESCRIPTION	REQ'D
1	C 16408	SUPPORT - seat, front	1
2	C 16404	SUPPORT - seat, rear	1
3	113- 441	BOLT - 1/2 x 2-1/4" NC hex	2
4	113- 424	BOLT - 1/2 x 1" NC hex	2
5	192- 23	LOCKWASHER - 1/2"	4
6	C 19417	TRAY - tool	1
7	C 16429	PIN - seat hinge	1
8	C 16651	SEAT	1
9	C 15410	CUSHION - rubber	8
10	195- 2021	WASHER - 5/16 x 1-1/4" OD, zinc plated	4
11	113- 122	BOLT - 5/16 x 1-1/2"	4
12	C 14534	BUMPER - seat	2
13	121- 106	BOLT - 5/16 x 1/2" flange whizlock	14
14	C 17152	HINGE ASSEMBLY - seat	1
15	C 16444	FENDER - L.H.	1
15	C 16445	FENDER - R.H.	1
17	C 16393	LEVER - shift	1
18	195- 524	WASHER - 7/16 x 1-1/4" O.D.	1
19	C 17216	SPRING - shift lever	1
20	C 17066	WASHER - cupped	1
21	131- 178	NUT - lock 3/8" NC hex	1
22	C 14728	GRIP - shift lever	1



FRONT AXLE

REF.	PART NO.	DESCRIPTION	REQ'D
1	C 18813	AXLE - front	1
2	C 18784	SPINDLE - right hand	1
3	C 18782	SPINDLE - left hand	1
4	138- 99	PIN - roll	2
5	C 13605	BALL JOINT - 1/2" L.H. thread	2
6	C 13716	WASHER - thrust	4
7	219- 404	FITTING - lube	3
8	C 13106	COVER - lube fitting	3
9	132- 311	PIN - cotter 5/32 x 1-1/4"	2
10	C 12975	WASHER - wheel spindle	2
11	A 30881	WASHER - wheel spacer	4
12	187- 1046	BOLT - 3/8" NC indented hex head	1
13	C 12102	BALL JOINT - 1/2" R.H. thread	2
14	192- 23	LOCKWASHER - 1/2" zinc plated	3
15	129- 125	NUT - 1/2" NF R.H. thread	6
16	129- 325	NUT - 1/2" NF L.H. thread	2
17	C 16384	TIE ROD	1
18	C 18786	ROD - drag link	1
19	C 19009	PIN - axle pivot	1
20	219- 17	FITTING - lube	2

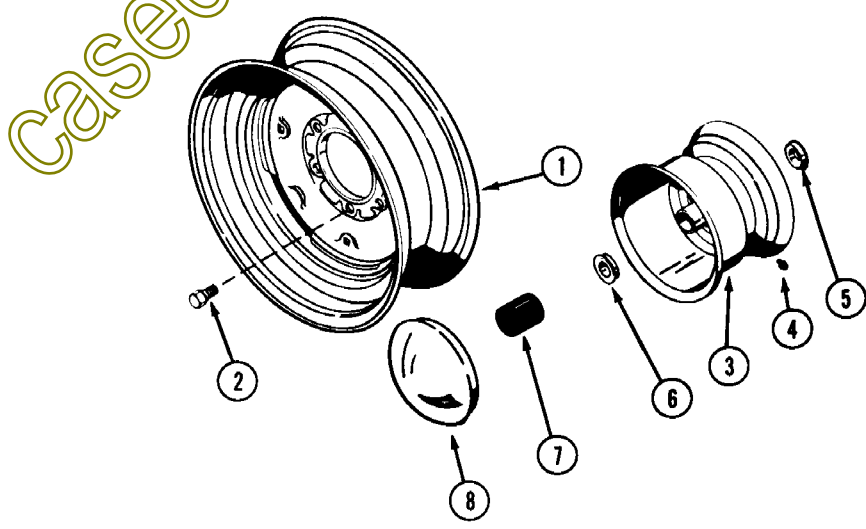
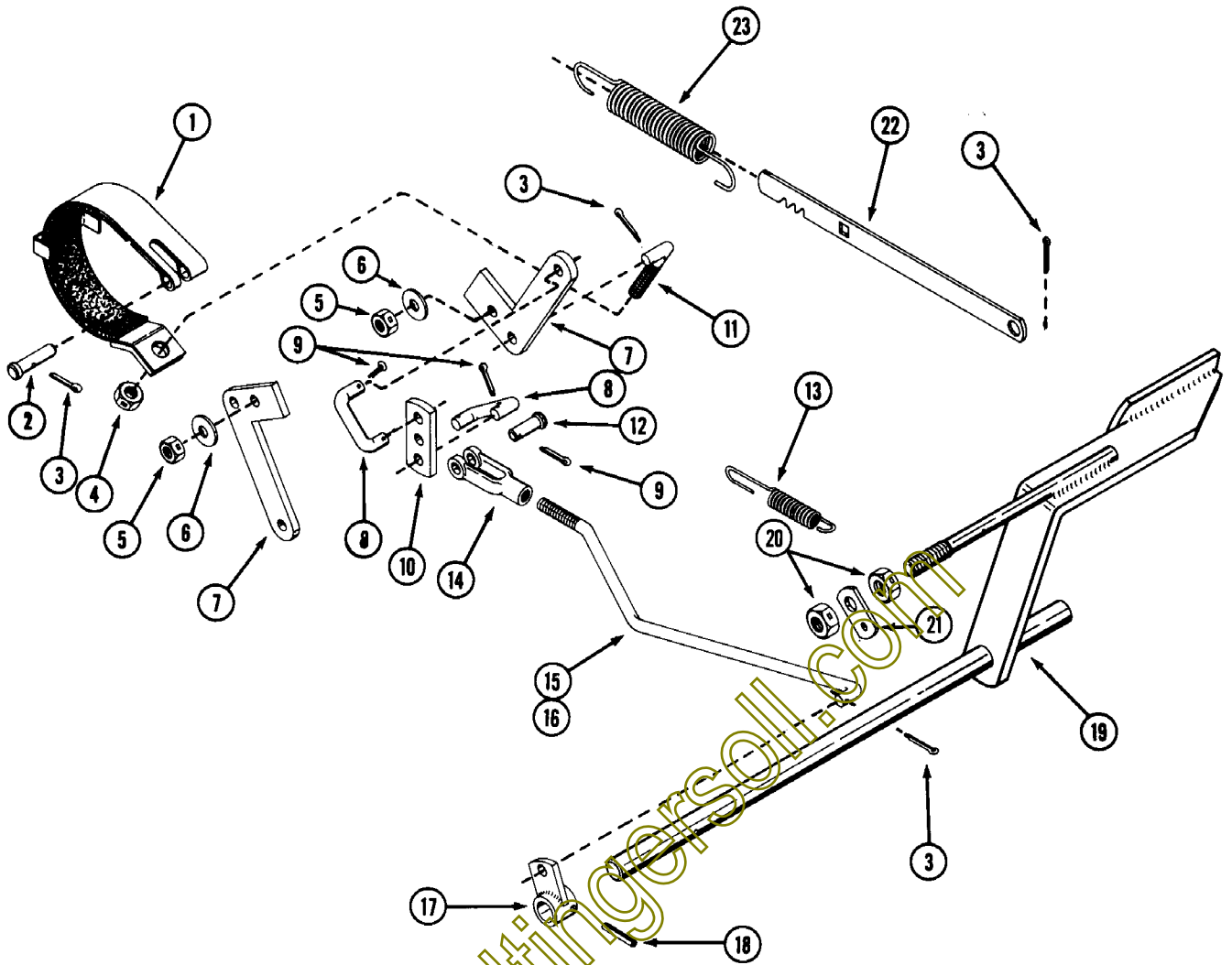
casecollectingersoll.com



STEERING GEAR

REF.	PART NO.	DESCRIPTION	REQ'D
1	C 18016	CAP - steering wheel	1
2	C 18014	WHEEL - steering	1
3	131- 356	NUT - lock 5/8"	1
4	C 16200	SHAFT - steering	1
5	C 18992	SUPPORT - steering gear	1
6	C 14200	PIN - pivot	1
7	C 14201	WASHER - shim	4
8	131- 1112	NUT - jam 3/4"	1
9	G 49048	WASHER	1
10	192- 20	LOCKWASHER - 5/16" zinc plated	1
11	113- 113	BOLT - 5/16" x 7/8" NC hex	1
12	C 18711	GEAR - steering	1
13	113- 206	BOLT - 3/8" x 3/4" NC hex	4
14	192- 21	LOCKWASHER - 3/8"	4
15	195- 2069	WASHER - 5/8" zinc plated	1
16	C 15096	BUSHING - flanged nylon	1
17	126- 16	KEY - Woodruff 3/16" x 3/4"	1
18	C 16692	TUBE - steering	1
19	219- 404	FITTING - lube 45°	2
20	C 12975	WASHER - 5/8"	1
21	C 18017	CLIP - tinnerman (use with C18014 steering wheel)	2

casecollectingersoll.com

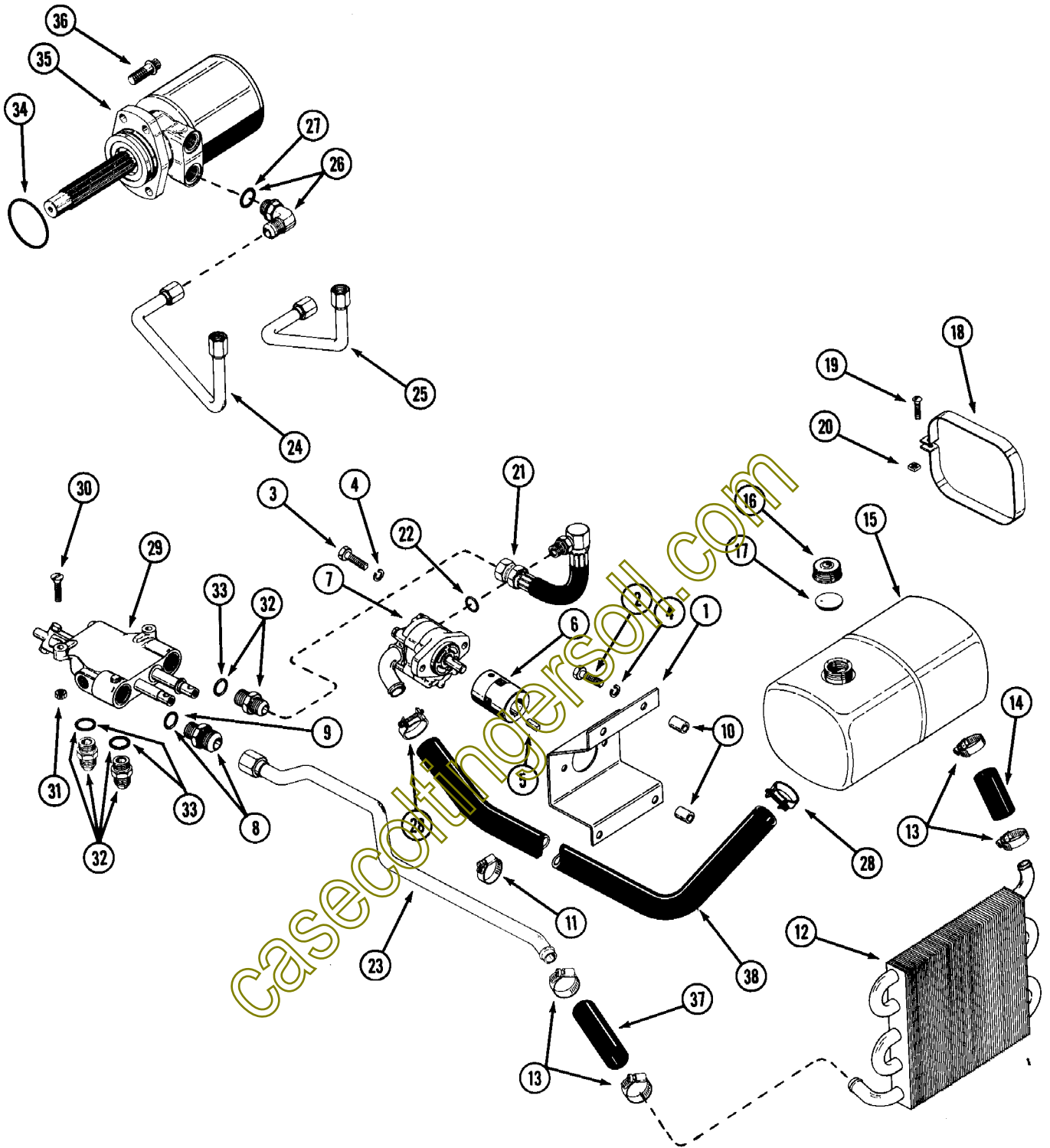


**BRAKE ASSEMBLY**

REF.	PART NO.	DESCRIPTION	REQ'D
1	C 19250	BAND - brake	1
2	C 13526	PIN - clevis	1
3	132- 310	PIN - cotter 1/8" x 1"	4
4	131- 1129	LOCKNUT - 7/16" hex NC	1
5	131- 179	LOCKNUT - 3/8" hex NC	2
6	195- 104	WASHER - 3/8" flat	2
7	C 19063	ARM - brake	2
8	C 19064	LINK - brake	2
9	132- 321	PIN - cotter 3/32" x 1"	6
10	C 19179	LINK - brake	1
11	C 19251	LINK - brake band	1
12	141- 4	PIN - clevis	1
13	C 18871	SPRING - return	1
14	213- 4	CLEVIS	1
15	C 19187	ROD - brake 220, 222, and 224	1
16	C 19186	ROD - brake 444	1
17	C 19183	ARM - brake rod	1
18	138- 319	PIN - roll 3/16" x 1-1/4"	1
19	C 19243	PEDAL - brake ass'ly	1
20	131- 164	NUT - centerlock jam	2
21	C 16164	TAB - lift control	1
22	C 18147	LEVER - brake lock	1
23	C 16379	SPRING - brake lock	1

**FRONT AND REAR WHEELS**

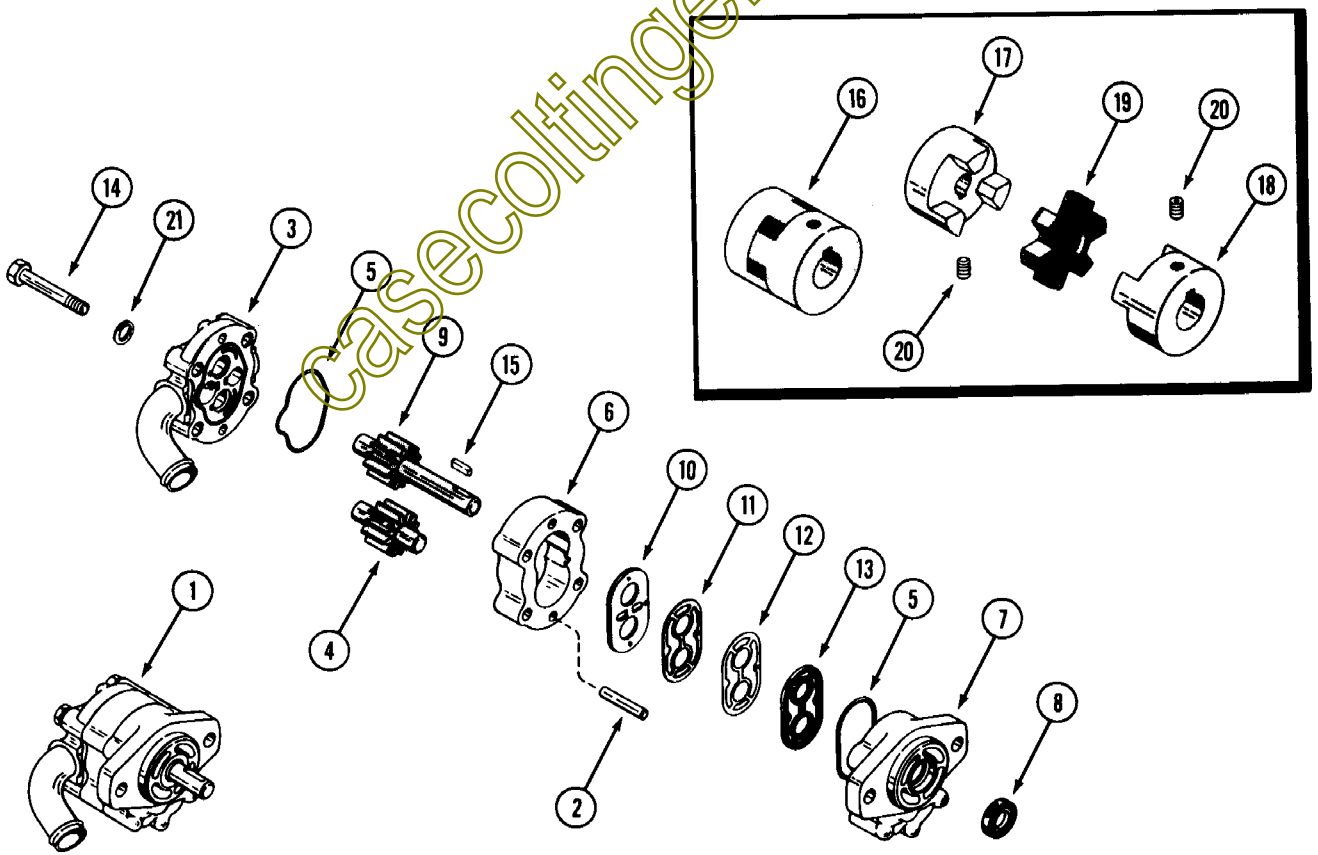
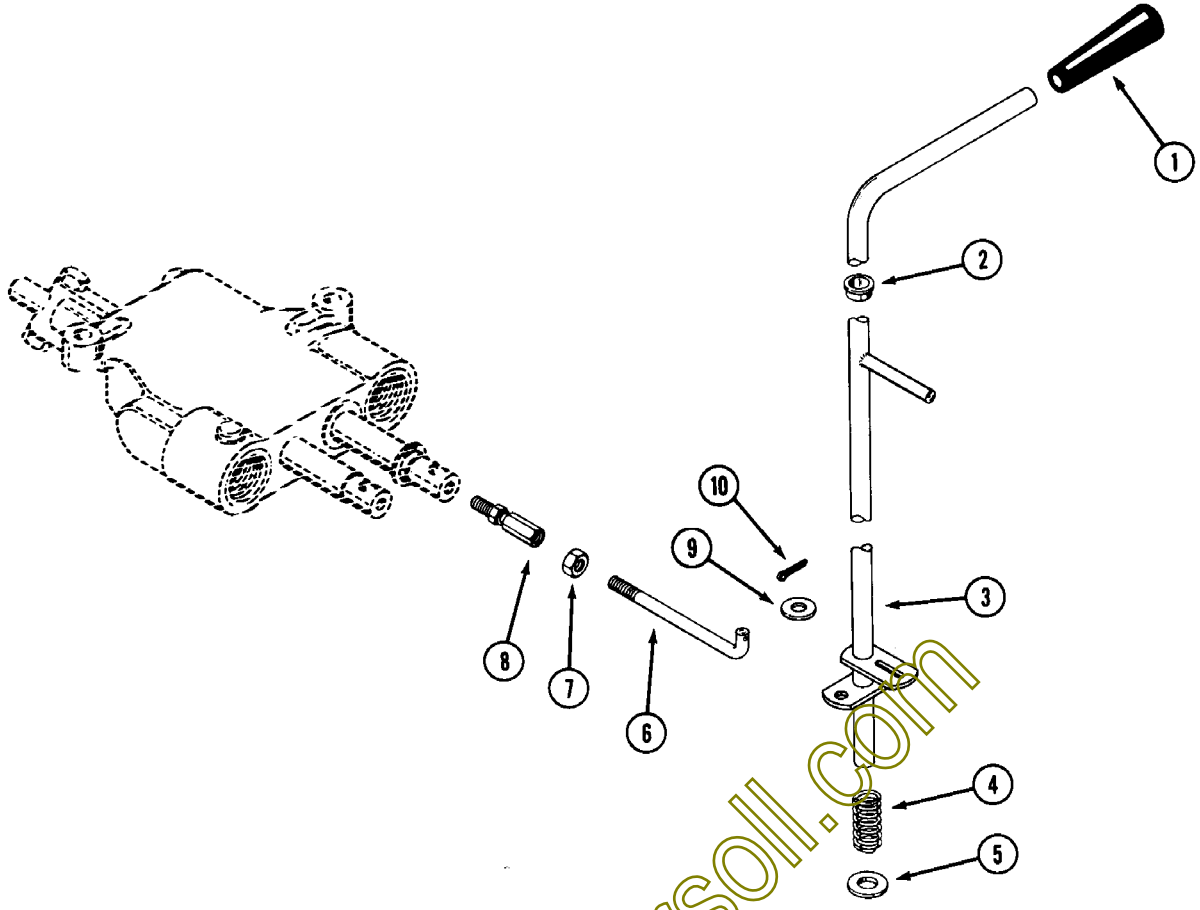
1	C 10317	WHEEL - rear, 6 bolt	2
2	A 30064	BOLT - rear wheel	12
3	C 12081	WHEEL - front	2
4	219- 403	FITTING - lube	2
5	C 12110	BEARING - wheel, inner	2
6	C 12111	BEARING - wheel, outer	2
7	C 12370	CAP - plastic, front	2
8	A 70062	CAP - nub front wheel (optional)	2





## HYDRAULIC SYSTEM

REF.	PART NO.	DESCRIPTION	REQ'D
1	C 18885	PLATE - pump mounting	1
2	113- 233	BOLT - 3/8 x 1-3/4" NC hex, support mounting	4
3	114- 200	BOLT - 3/8 x 1 NF hex, pump mounting	2
4	192- 21	LOCKWASHER - 3/8" zinc plated	6
5	T 33565	KEY - square 1/4 x 1" (engine shaft)	1
6	C 18916	COUPLING - pump (Repairs page 51)	1
7	C 19045	PUMP - hydraulic (Repairs page 51)	1
8	C 17236	FITTING - hydraulic 3/4T x 7/8" "O" RING	1
9	218- 5007	"O" RING - 5/8" for C17263 fitting	1
10	C 17622	SPACER - pump mounting	4
11	214- 258	CLAMP - hose, holds C19237 against C19191 (mounting guide)	1
12	C 14195	EXCHANGER - heat	1
13	214- 8	CLAMP - hose	4
14	C 14245	HOSE - rubber 3"	2
15	C 18580	RESERVOIR - hydraulic oil	1
16	C 11529	CAP - reservoir with insert	1
17	C 11545	INSERT - reservoir cap	1
18	A 70100	STRAP - reservoir mounting	2
19	173- 215	SCREW - 1/4 x 1-1/4" round head machine	2
20	129- 504	NUT - square 1/4" NC zinc plated	2
21	C 18797	HOSE - hydraulic, pump to valve	1
22	218- 5006	"O" RING - 1/2" for 218-5066 fitting	1
23	C 19191	TUBE - valve to heat exchanger	1
24	C 16687	TUBE - valve to lower motor port	1
25	C 17898	TUBE - valve to upper motor port	1
26	218- 5107	FITTING - motor port, 90° elbow "O" ring	2
27	218- 5007	"O" RING - 5/8" for 218-5107 fitting	2
28	214- 14	CLAMP - hose	2
29	C 18713	VALVE - hydraulic control, two spool (Repairs page 53)	1
30	171- 247	SCREW - 5/16 x 1-1/4" NC flat head machine	2
31	131- 351	NUT - lock 5/16" NC hex	2
32	C 18321	FITTING - hydraulic valve 5/8T x 7/8" "O" RING	3
33	218- 5007	"O" RING - 5/8" for 218-5062	2
34	A 30095	SEAL - motor to transmission case	1
35	C 14655	MOTOR - hydraulic (Repairs page 55)	1
36	166- 86	SCREW - 1/2" x 1-1/4" NC flanged 12 pt.	4
37	C 14619	HOSE - rubber 4"	1
38	C 19237	HOSE - rubber tank to pump	1

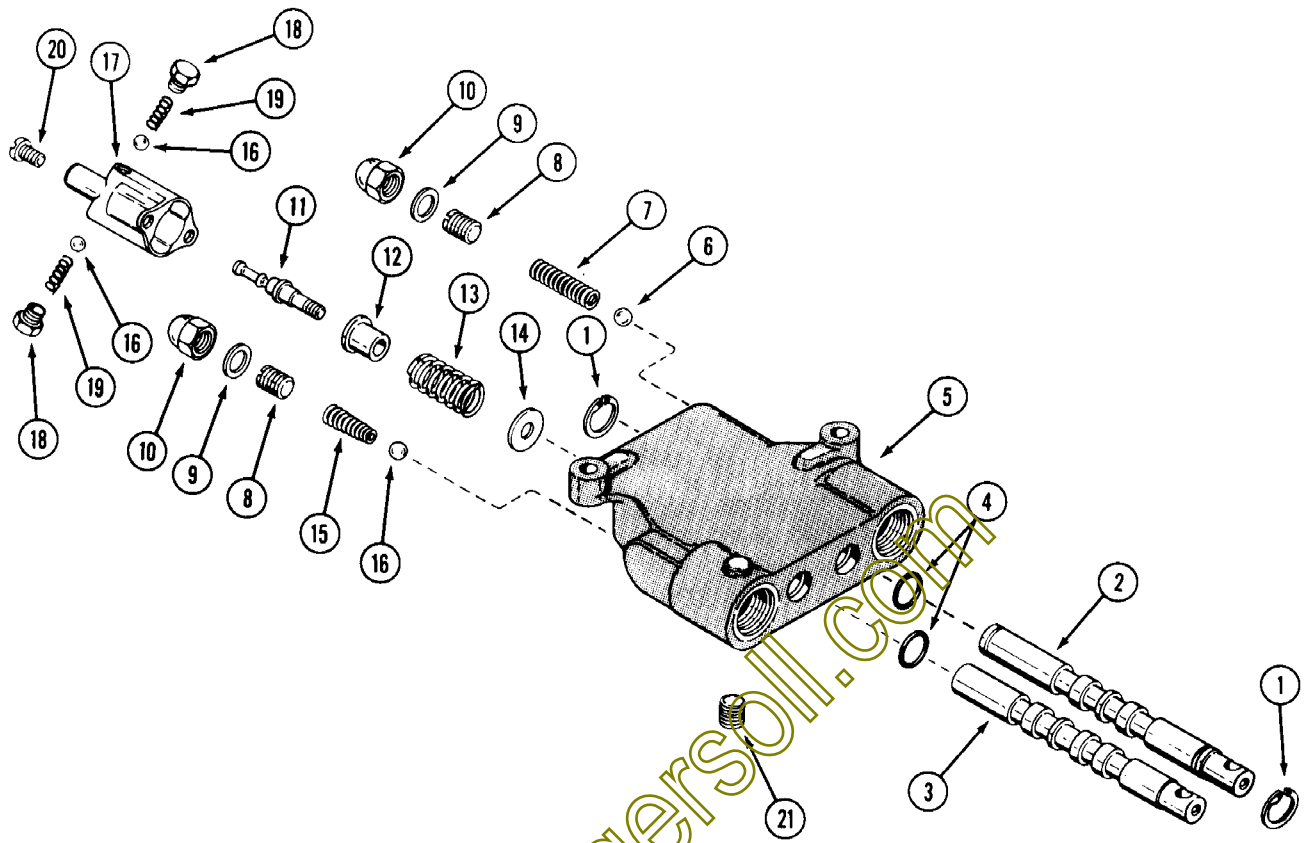


## SPEED CONTROL

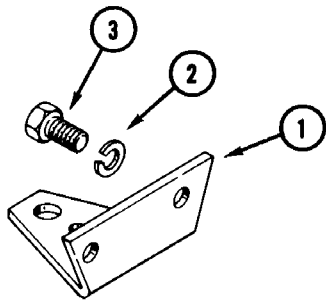
REF.	PART NO.	DESCRIPTION	REQ'D
1	A 37247	KNOB - speed control	1
2	C 12093	BUSHING - lever	1
3	C 18857	LEVER - speed control	1
4	C 17612	SPRING - compression	1
5	C 16730	WASHER - oilite	1
6	C 18742	ROD - control	1
7	129- 122	NUT - 5/16" NF hex, zinc plated	2
8	C 19025	JOINT - ball	1
9	195- 521	WASHER - 5/16"	1
10	132- 320	PIN - cotter 3/32" x 3/4"	1

## HYDRAULIC PUMP AND COUPLING

1	C 19045	PUMP - hydraulic	1
2	C 15729	PIN - dowel	2
3	C 19113	COVER - back assembly	1
4	C 15731	GEAR ASSEMBLY - driven	1
5	C 15732	"O" RING	2
6	C 15733	BODY - pump	1
7	C 15734	COVER - front	1
8	C 15735	SEAL - rotary	1
9	C 19114	GEAR ASSEMBLY - drive	1
10	C 15737	PLATE - wear	1
11	C 15738	SHIELD - heat	1
12	C 15739	GASKET	1
13	C 15740	SEAL	1
14	C 15741	BOLT	4
15	C 19207	KEY - 1/8" Sq. x 3/4"	1
16	C 18916	COUPLING - pump	1
17	NSS	HUB - (order item 16)	1
18	NSS	HUB - (order item 16)	1
19	C 15036	SPIDER	1
20	83- 55	SCREW - set 5/16 x 5/16" NC socket head	2
21	C 19115	WASHER	4



casecoltingers.com

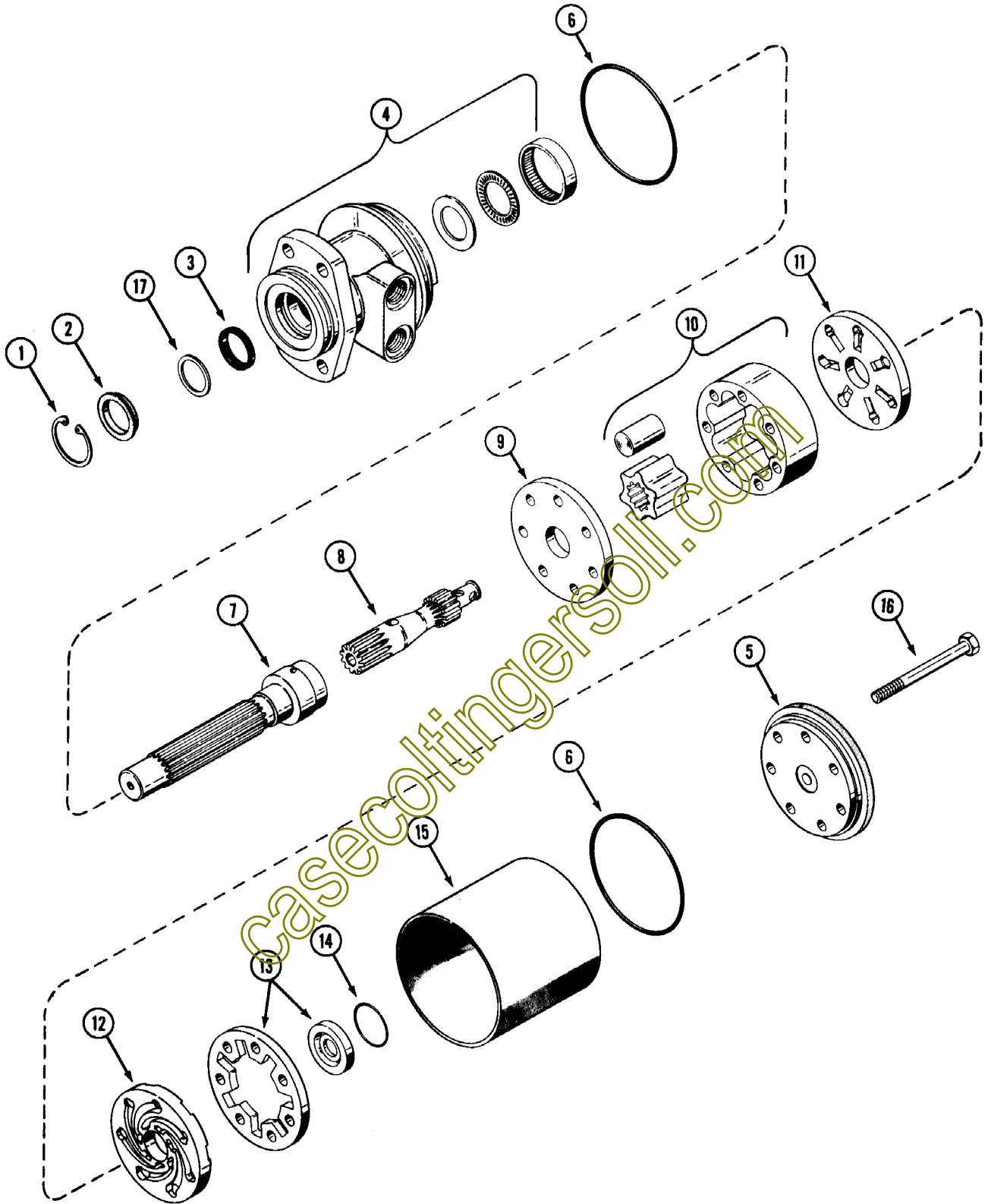


## HYDRAULIC CONTROL VALVE ( TWO SPOOL )

REF.	PART NO.	DESCRIPTION	REQ'D
	C 18713	VALVE - control, two spool	1
1	A 60273	RING - retaining	2
2	NSS	SPOOL - motor (Order C18713 valve)	1
3	NSS	SPOOL - float (Order C18713 valve)	1
4	A 7982	SEAL - spool	4
5	NSS	BODY - valve (Order C18713 valve)	1
6	211- 9	BALL - steel 5/16"	1
7	C 17432	SPRING - relief	2
8	C 17433	SCREW - relief adjust	2
9	C 17435	GASKET - relief adjust cap	2
10	129- 531	CAP - adjust screw	2
11	C 17439	DETENT - spool	1
12	C 13200	SPACER - detent	1
13	C 17441	SPRING - detent return	1
14	C 17440	WASHER - return	1
15	C 17445	SPRING - relief, tapered	1
16	211- 7	BALL - steel 1/4"	3
17	C 17438	COVER - detent	1
18	C 17443	SCREW - detent	2
19	C 17444	SPRING - detent	2
20	169- 114	SCREW - cover	2
21	221- 841	PLUG - pipe	1

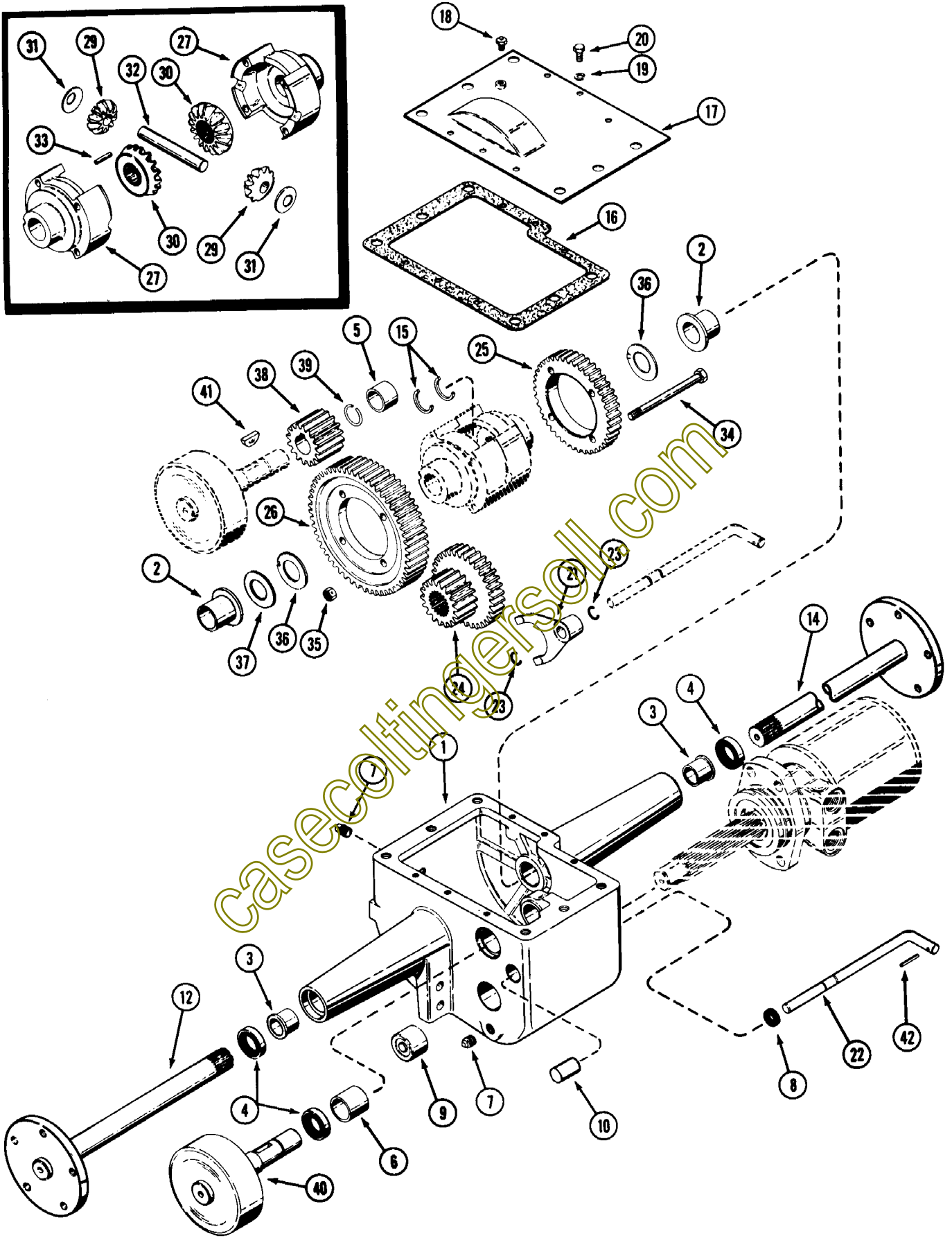
## DRAWBAR AND TOW HITCH

1	C 13360	DRAWBAR	1
2	192- 23	LOCKWASHER - 1/2 zinc plated	2
3	113- 424	BOLT - 1/2 x 1" NC hex zinc plated	2



## HYDRAULIC DRIVE MOTOR

REF.	PART NO.	DESCRIPTION	REQ'S
	C 14655	MOTOR - hydraulic	1
1	L 30654	RING - retaining	1
2	NSS	SPACER - (See kits below)	1
3	NSS	SEAL - oil (See kits below)	1
4	C 14827	HOUSING ASSEMBLY	1
5	C 14837	END CAP	1
6	NSS	SEAL - (See kits below)	2
7	C 14828	SHAFT - coupling	1
8	C 14829	DRIVE LINK	1
9	C 14830	PLATE - wear	1
10	C 14831	ROTOR ASSEMBLY	1
11	C 14832	PLATE - manifold	1
12	C 14833	MANIFOLD	1
13	C 14834	COMMUTATOR AND RING SET	1
14	NSS	RING - sealing (See kit below)	1
15	C 14836	SLEEVE	1
16	C 14838	BOLT - 3/8" x 4-3/8" NF hex	7
17	NSS	WASHER - back up, .010"	1
	C 19037	KIT - "O" ring and seal	1
	C 19041	RING - sealing	1
	C 19038	SEAL - dirt (not used - throw away item)	1
	C 18382	SEAL	2
	C 19039	SEAL	1
	L 30654	RING - retaining	1
	C 19040	SPACER - seal	1
	C 19212	WASHER - back up, .010"	1

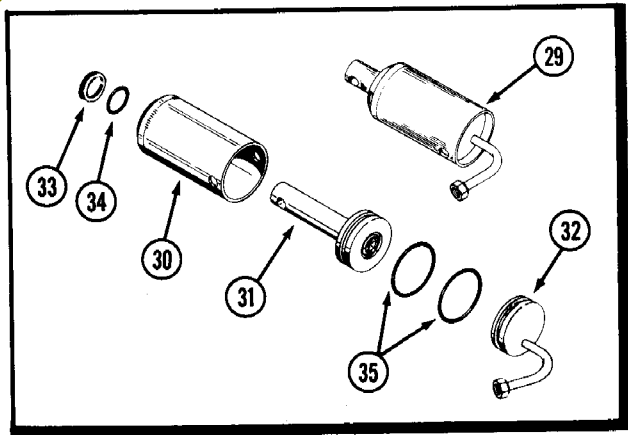
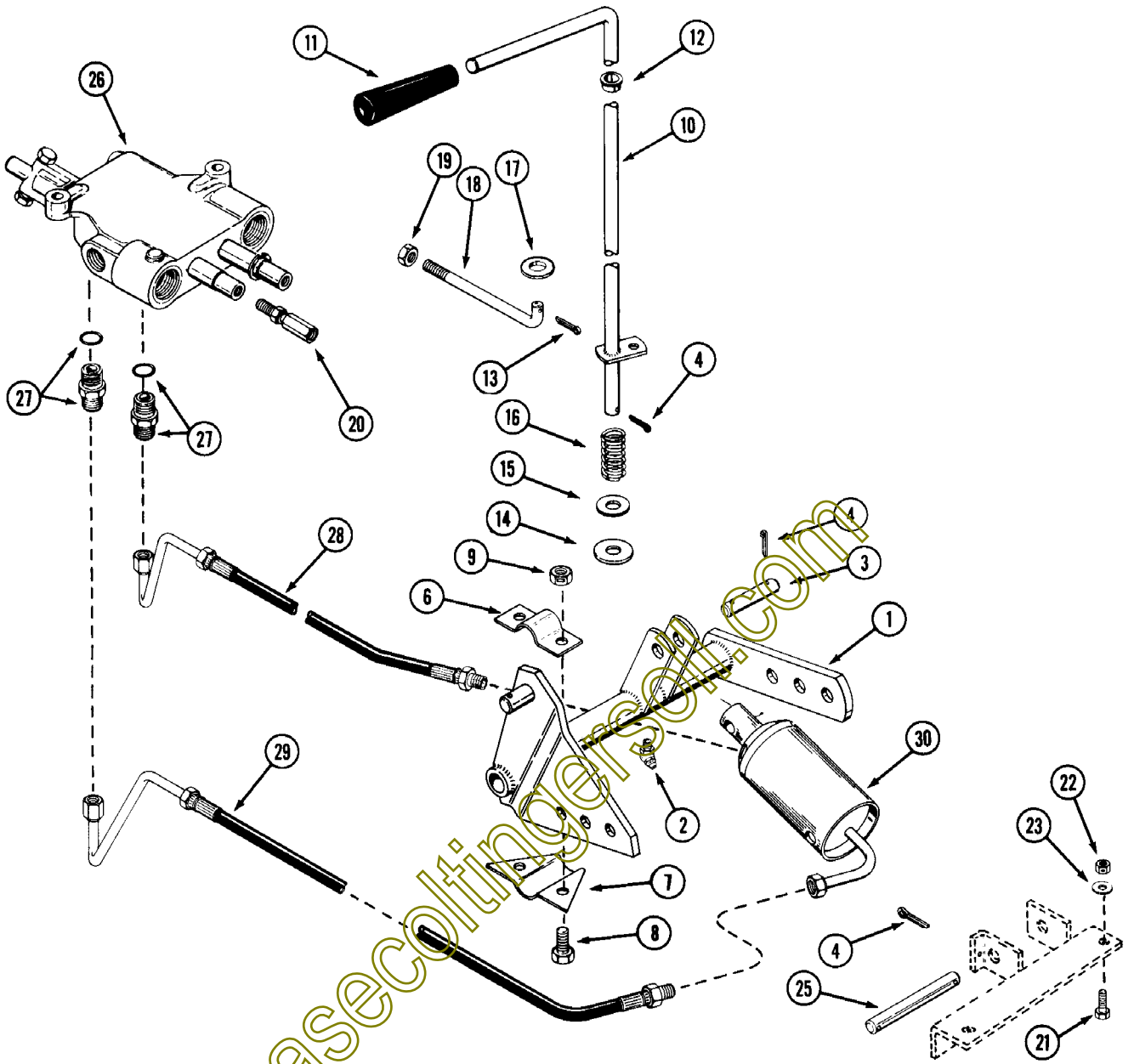




## TRANSMISSION AND FINAL DRIVE

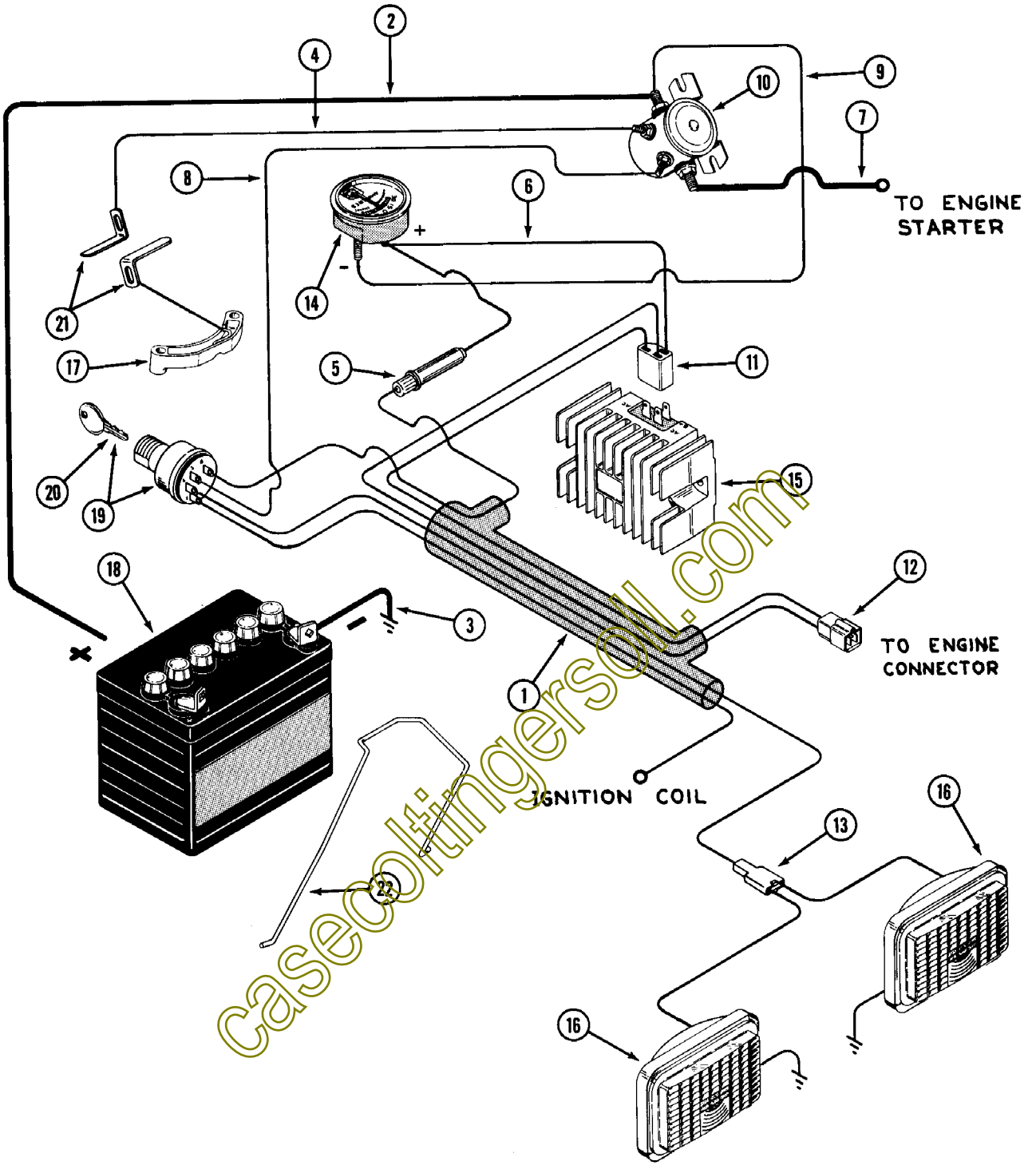
REF.	PART NO.	DESCRIPTION	REQ'D
1	C 13770	CASE - transmission	1
2	C 12713	BEARING - flange	2
3	C 16744	BEARING - flanged	2
4	D 31945	SEAL - axle	3
5	C 13241	BEARING - sleeve	1
6	C 13385	BEARING - sleeve	1
7	221- 4	PLUG - filler and drain 1/2"	2
8	C 13266	SEAL - shift rod	1
9	C 13211	BEARING - roller, input shaft	1
10	C 12723	CAP - shift rod	1
12	C 12722	SHAFT - axle, short R.H.	1
14	C 12721	SHAFT - axle, long L.H.	1
15	B 52144	RING - retainer, axle	2
16	C 13196	GASKET - transmission cover	1
17	C 13197	COVER - transmission	1
18	A 50096	BREATHER - transmission	1
19	192- 19	LOCKWASHER - 1/4"	6
20	113- 1	BOLT - 1/4 x 1/2" NC hex	6
21	C 12725	FORK - shift	1
22	C 16339	ROD - gear shift	1
23	C 14168	RING - retaining	2
24	C 14644	GEAR - cluster input	1
25	C 12551	GEAR - high 41 tooth	1
26	C 12552	GEAR - low 55 tooth	1
27	C 16295	KIT - diff. case (includes Ref. 34 and 35)	1
29*		GEAR - differential pinion (order two of each, items 29 and 30)	2
30*		GEAR - differential (order two of each, items 29 and 30)	2
31	C 12559	WASHER - pinion thrust	2
32	C 12560	PIN - differential cross	1
33	R 17820	PIN - differential cross lock	1
34	C 12561	SCREW - 3/8 x 4-3/4" NC hex cap	4
35	131- 366	NUT - lock 3/8" NC hex	4
36	C 12718	WASHER - differential	2
37	C 14223	WASHER - spacer	UAR
38	C 12965	GEAR - brake idler	1
39	C 14222	RING - retainer, brake idler	1
40	C 13261	BRAKE DRUM	1
41	126- 128	KEY - Woodruff, brake idler	1
42	138- 319	PIN - roll 3/16 x 1-1/2"	1

\*Must be serviced in sets of four using two C12558 Pinion Gears and two C12557 Differential Gears



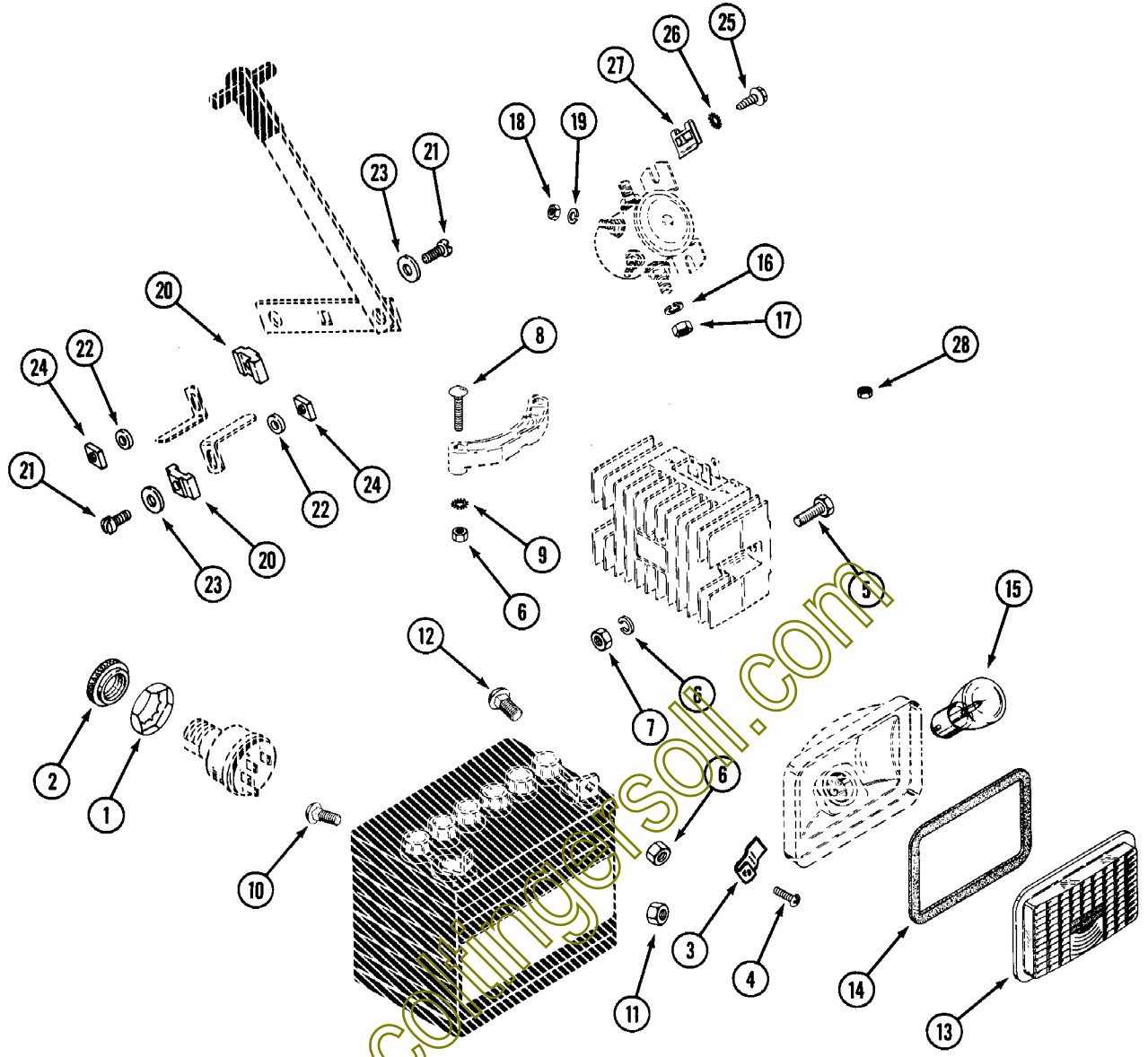
## J30 HYDRAULIC LIFT

REF.	PART NO.	DESCRIPTION	REQ'D
1	C 19661	CROSS SHAFT ASSEMBLY	1
2	219- 404	FITTING - lube	1
3	C 18251	PIN - cylinder to lever	1
4	132- 310	PIN - cotter 1/8" x 1"	5
5	C 17734	HOSE - long	1
6	C 17249	BRACKET - mounting, top	2
7	C 17250	BRACKET - mounting, bottom	2
8	13- 614	BOLT - 3/8" x 7/8" NC hex	4
9	131- 178	NUT - 3/8" NC hex	4
10	C 16163	LEVER - lift control	1
11	A 37247	KNOB - control lever	1
12	C 12093	BUSHING - lift lever	1
13	132- 320	PIN - cotter 3/32" x 3/4"	1
14	195- 533	WASHER - 1/2"	1
15	C 16730	WASHER - oilite	1
16	C 17612	SPRING - control lever	1
17	195- 521	WASHER - 5/16"	1
18	C 18742	ROD - control	1
19	129- 122	NUT - 5/16 NF hex	1
20	C 19025	BALL JOINT	1
21	113- 207	BOLT - 3/8" x 1" NC hex	2
22	131- 178	LOCKNUT - 3/8" NC hex	2
23	195- 104	WASHER - 3/8" x 1-1/8" O.D.	2
25	C 18888	PIN - cylinder foot	1
26	C 18713	VALVE - hydraulic, two spool	1
27	218- 5056	FITTING - valve (Includes 218-5004 "O" ring)	2
28	C 17224	HOSE - short	1
29	C 18318	CYLINDER - lift	1
30	C 16133	BODY - cylinder	1
31	C 19104	ROD AND PISTON ASSEMBLY	1
32	C 17732	FOOT - cylinder	1
33	NSS	SEAL	1
34	NSS	"O" RING	1
35	NSS	"O" RING	2
	C 17268	KIT - seal, cylinder (Consists of items 33, 34 and 35)	1



## ELECTRICAL SYSTEM

REF.	PART NO.	DESCRIPTION	REQ'D
1	C 19228	HARNES - wire	1
2	C 14565	CABLE - battery to solenoid (Red 10-1/2")	1
3	C 14566	CABLE - battery to ground (Black 12")	1
4	C 19055	WIRE - solenoid to PTO safety switch (Black 21")	1
5	223- 20	FUSE - 20 amp.	1
6	C 19231	WIRE - ammeter to rectifier (Red 9")	1
7	C 19232	CABLE - solenoid to starter (Black 18")	1
8	C 19229	WIRE - solenoid to ignition switch (Yellow 9")	1
9	C 19230	WIRE - solenoid to ammeter (White 8-1/2")	1
10	C 14553	SOLENOID - start	1
11	C 19378	CONNECTOR - regulator, 3 contact	1
12	C 19379	CONNECTOR - engine, 2 contact	1
13	C 14537	CONNECTOR - headlamp	1
14	C 18389	AMMETER - 30-0-30 amp.	1
15	C 19234	REGULATOR - rectifier	1
16	C 14302	HEADLAMP ASSEMBLY - 12 volt	2
17	C 19562	SWITCH - neutral safety	1
18	C 18197	BATTERY - 12 volt	1
19	C 17976	SWITCH - ignition (Includes key)	1
20	C 17763	KEY - ignition	1
21	C 18115	SWITCH - PTO safety	2
22	C 16239	STRAP - battery hold down	1

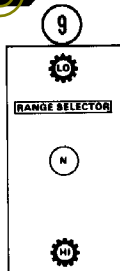
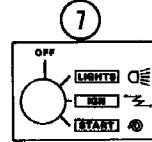
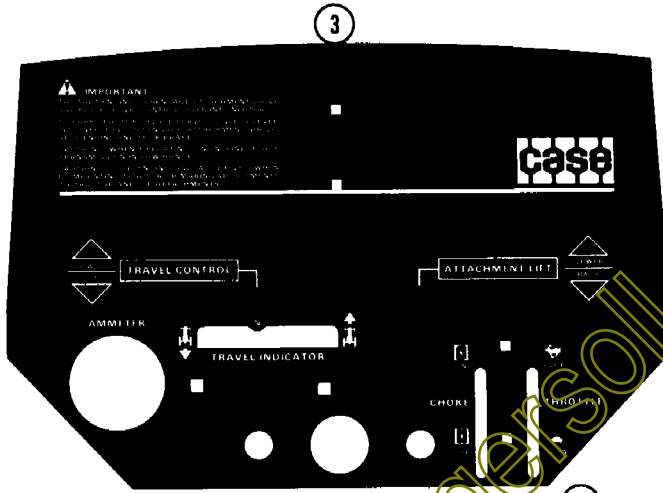


## ELECTRICAL SYSTEM HARDWARE

REF.	PART NO.	DESCRIPTION	REQ'D
1	C 14060	NUT - back up	1
2	C 17921	NUT - escutcheon	1
3	131- 629	NUT - speed type "U"	4
4	187- 1047	SCREW - #8 x 1/2" self tap. Phillips	4
5	113- 3	BOLT - 1/4" x 3/4" NC hex	2
6	129- 101	LOCKWASHER - 1/4"	5
7	192- 19	NUT - 1/4" NC hex	2
8	111- 131	BOLT - 1/4" x 1-1/8" NC rd. hd. square neck	2
9	193- 57	LOCKWASHER - 1/4" external tooth	2
10	111- 202	BOLT - 5/16 x 3/4" NC round head, square neck	1
11	129- 102	NUT - 5/16" NC hex	1
12	111- 108	BOLT - 1/4" NC round head, square neck	1
	C 14302	HEADLAMP ASSEMBLY 12 volt	2
13	C 14303	LENS - headlamp	1
14	C 14304	GASKET - headlamp	2
15	C 14305	BULT - headlamp 12 volt	1
16	192- 20	LOCKWASHER - 5/16"	2
17	129- 122	NUT - 5/16" NF hex	2
18	129- 27	NUT - #10 NF hex	2
19	192- 18	LOCKWASHER #10	2
20	C 19246	HOLDER - strip switch	2
21	182- 523	SCREW - #10 x 7/8" binder head	2
22	195- 513	WASHER - #10 nylon	2
23	C 19254	WASHER - 13/64"	2
24	129- 77	NUT - square #10 NF	2
25	187- 485	SCREW - #10 x 5/8" self tapping hex	2
26	193- 70	LOCKWASHER - #10 external tooth	2
27	C 10836	NUT - speed	2
28	129- 660	NUT - #10 - 32 UNF hex brass (use on ammeter minus terminal)	1

# Case hydraulic drive 446

# 446 Case

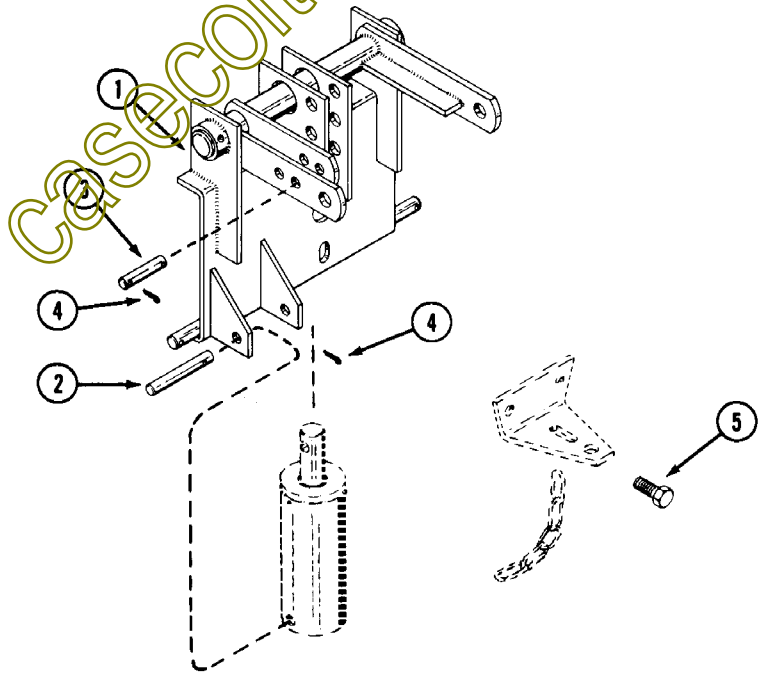
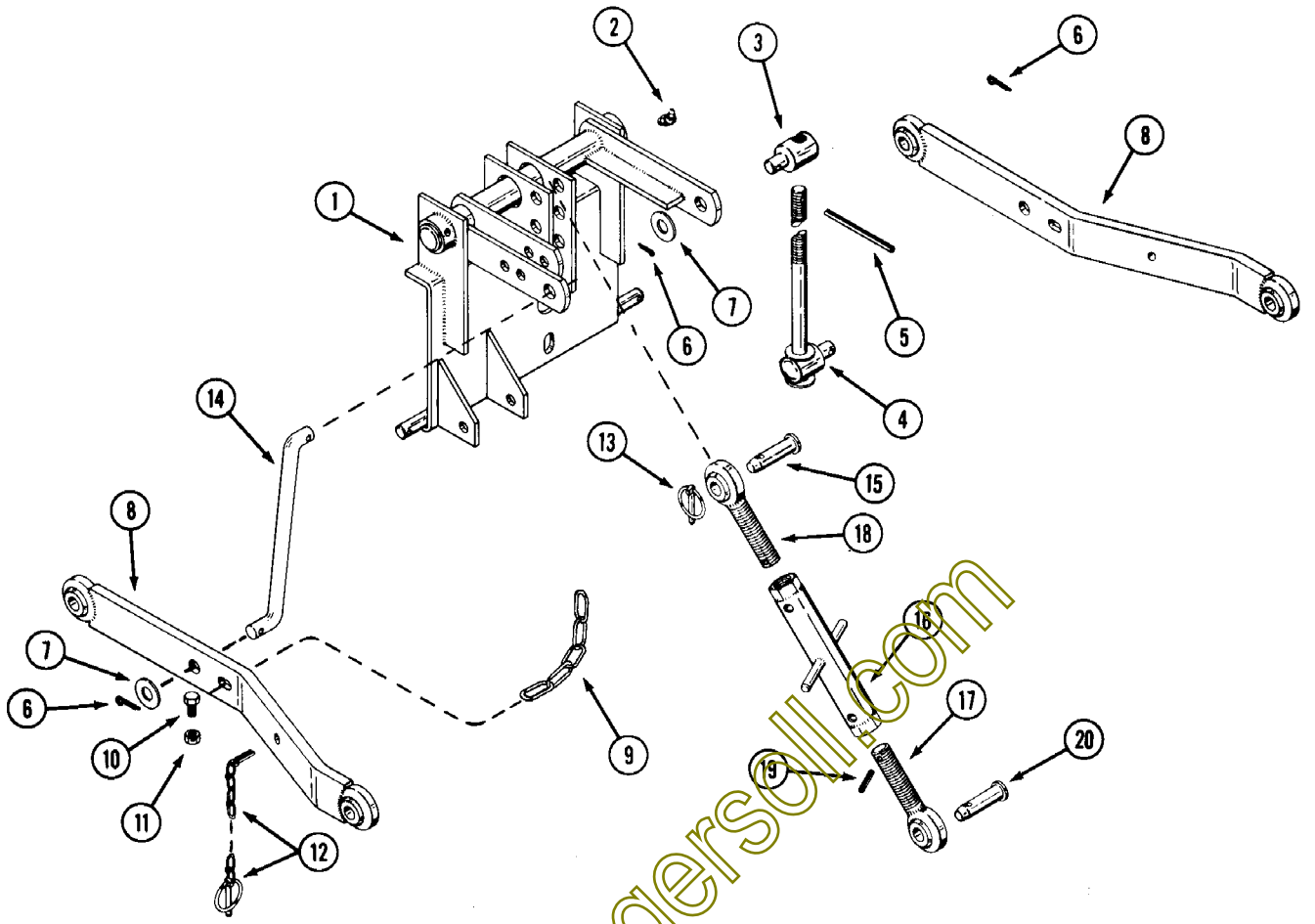




## DECALS

REF.	PART NO.	DESCRIPTION	REQ'D
1	321- 2501	DECAL - hood L.H. ....	1
2	321- 2500	DECAL - hood R.H. ....	1
3	321- 2503	DECAL - instrument panel ....	1
4	C 14066	DECAL - gasoline ....	1
5	321- 2111	DECAL - attachment drive ....	1
6	C 14539	DECAL - hydraulic reservoir ....	1
7	321- 1786	DECAL - ignition switch ....	1
8	321- 2487	DECAL - caution ....	1
9	321- 1788	DECAL - shift range ....	1
10	321- 2110	DECAL - parking brake ....	1
11	321- 1785	DECAL - float ....	1
12	321- 1571	DECAL - "CASE" ....	1

casecollectingersoll.com

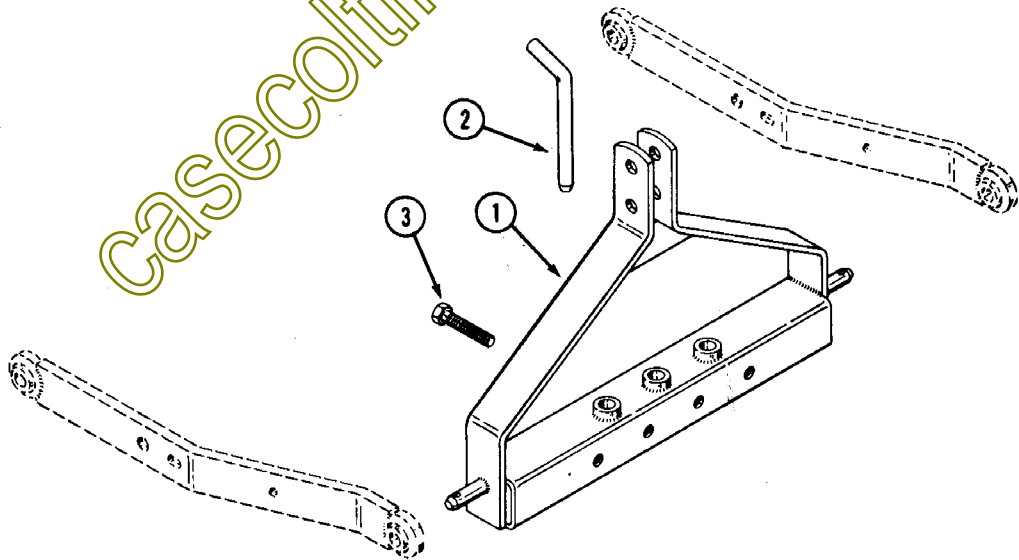
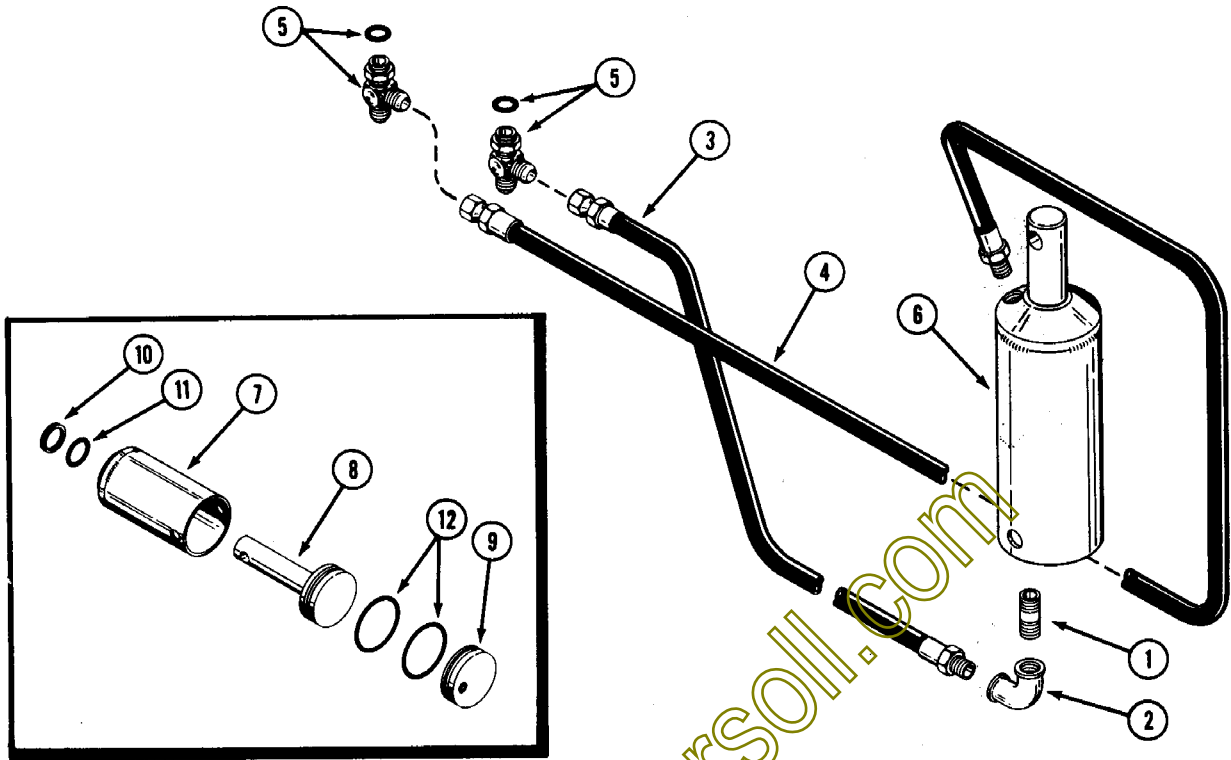


**H26 THREE POINT HITCH  
FRAME, LIFT RODS AND ARMS**

REF.	PART NO.	DESCRIPTION	REQ'D
1	C 14977	HITCH PLATE ASSEMBLY	1
2	219- 405	FITTING - lube	2
3	C 14722	NUT - lift rod	1
4	C 14724	ROD ASSEMBLY - R.H. lift	1
5	138- 309	PIN - roll 1/4 x 4"	1
6	132- 91	PIN - cotter 3/16 x 1"	6
7	195- 541	WASHER - plain 5/8"	4
8	C 14715	ARM - lift	2
9	C 14991	CHAIN - stay 19 links	1
10	113- 118	BOLT - 5/16 x 5/8" NC hex, zinc plated	2
11	131- 176	NUT - lock 5/16" NC hex	2
12	B 52118	PIN - klik	2
13	A 30338	PIN - klik	3
14	C 14725	ROD - lift L.H.	1
15	C 14717	PIN - clevis	1
	C 14712	LINK ASSEMBLY	1
16	C 14703	CENTER TUBE ASSEMBLY	1
17	C 14709	BALL END ASSEMBLY R.H. THREAD	1
18	C 14710	BALL END ASSEMBLY L.H. THREAD	1
19	138- 59	PIN - roll 1/8 x 7/8"	2
20	C 16128	PIN - clevis 5/8 x 3"	1

**CYLINDER AND DRAWBAR MOUNTING**

1	C 14977	HITCH PLATE ASSEMBLY	1
2	C 14975	PIN - lower cylinder mounting	1
3	C 14976	PIN - upper cylinder mounting	1
4	132- 310	PIN - cotter 1/8 x 1"	3
5	113- 417	BOLT - 1/2 x 1-1/4" NC, hex, zinc plated	2



43

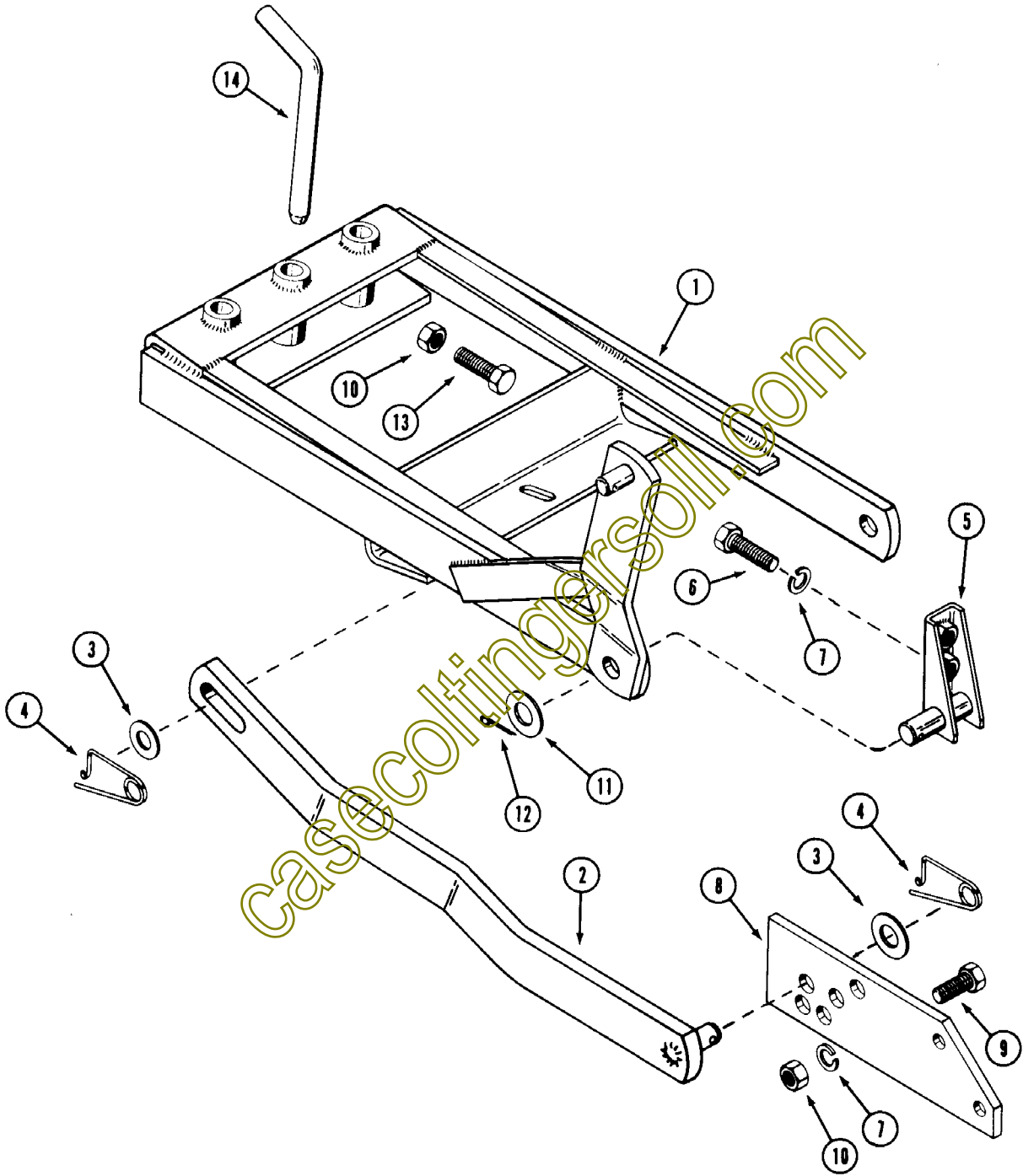
**CASE MODEL 446 COMPACT TRACTOR**  
**MODEL H26 THREE POINT HITCH AND MODEL**  
**F27 HITCH ADAPTER**  
**HYDRAULIC CONNECTIONS AND COMPONENTS**

REF.	PART NO.	DESCRIPTION	REQ'D
1	221- 1134	NIPPLE - 1/4 x 1-1/2" . . . . .	1
2	221- 1375	ELBOW - 90° . . . . .	1
3	C 17188	HOSE - hydraulic short . . . . .	1
4	C 17189	HOSE - hydraulic long . . . . .	1
5	218- 5291	FITTING - tee (Includes 218-5004 "O" ring) . . . . .	2
6	C 19468	CYLINDER ASSEMBLY . . . . .	1
7	C 15768	BODY - cylinder . . . . .	1
8	C 19469	ROD AND PISTON ASSEMBLY . . . . .	1
9	C 14692	FOOT - cylinder . . . . .	1
10	NSS	SEAL - wiper . . . . .	1
11	NSS	"O" RING . . . . .	1
12	NSS	"O" RING . . . . .	2
13	C 17268	KIT - seal (Consists of items 10, 11 and 12) . . . . .	1

**MODEL F27 HITCH ADAPTER**

1	C 14872	BRACKET - hitch adapter . . . . .	1
2	C 14568	PIN - drawbar . . . . .	1
3	113- 425	BOLT - 1/2 x 3" NC hex, zinc plated . . . . .	4

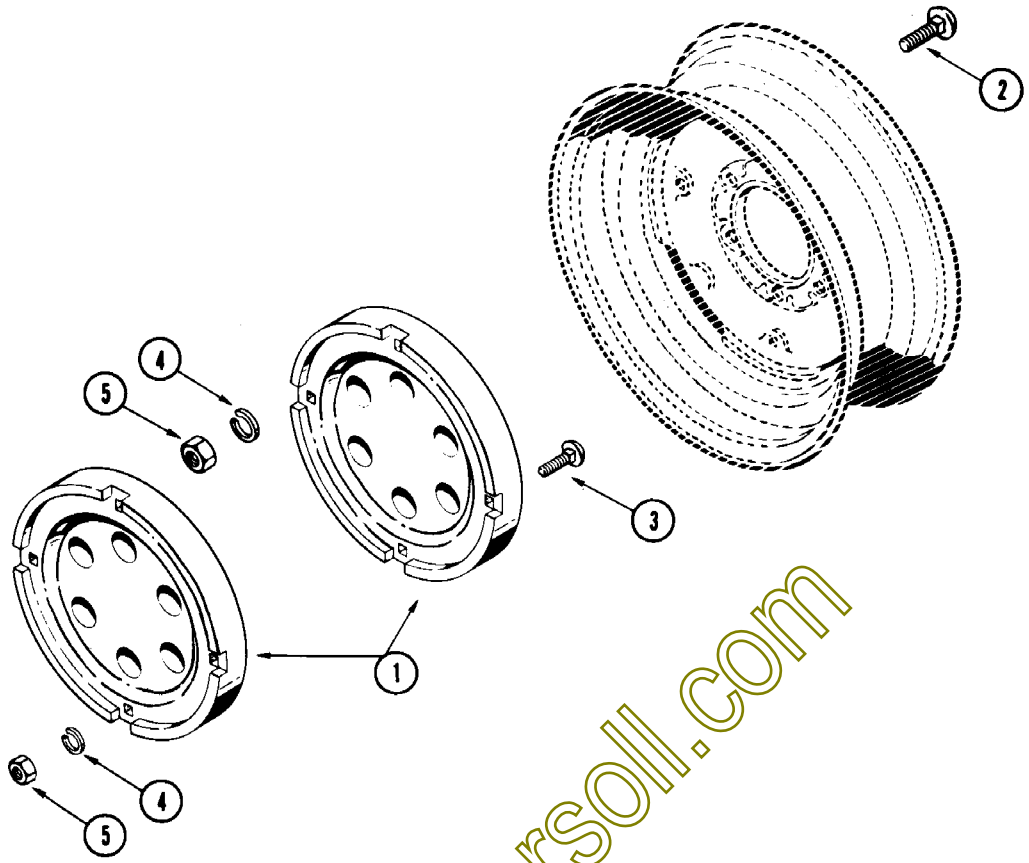
casecoltingersoll.com



## H 24 SLEEVE HITCH

REF.	PART NO.	DESCRIPTION	REQ'D
1	C 14867	HITCH FRAME ASSEMBLY .....	1
2	C 14457	ARM - lift .....	1
3	195- 541	WASHER - plain 21/32" .....	2
4	C 10898	PIN - safety .....	2
5	C 14459	BRACKET - hitch mounting R.H. ....	1
5	C 14460	BRACKET - hitch mounting L.H. ....	1
6	113- 417	BOLT - 1/2 x 1-1/4" NC hex, zinc plated .....	4
7	192- 23	LOCKWASHER - 1/2" zinc plated .....	6
8	C 17219	PLATE - lift lever .....	1
9	113- 417	BOLT - 1/2 x 1-1/4" NC hex, zinc plated .....	2
10	129- 105	NUT - 1/2" NC hex, zinc plated .....	4
11	195- 545	WASHER - plain 3/4" zinc plated .....	2
12	132- 306	PIN - cotter 3/16 x 1-3/4" .....	2
13	113- 421	BOLT - 1/2 x 2" NC hex, zinc plated .....	2
14	C 14568	PIN - drawbar .....	1

casecoltingersoll.com



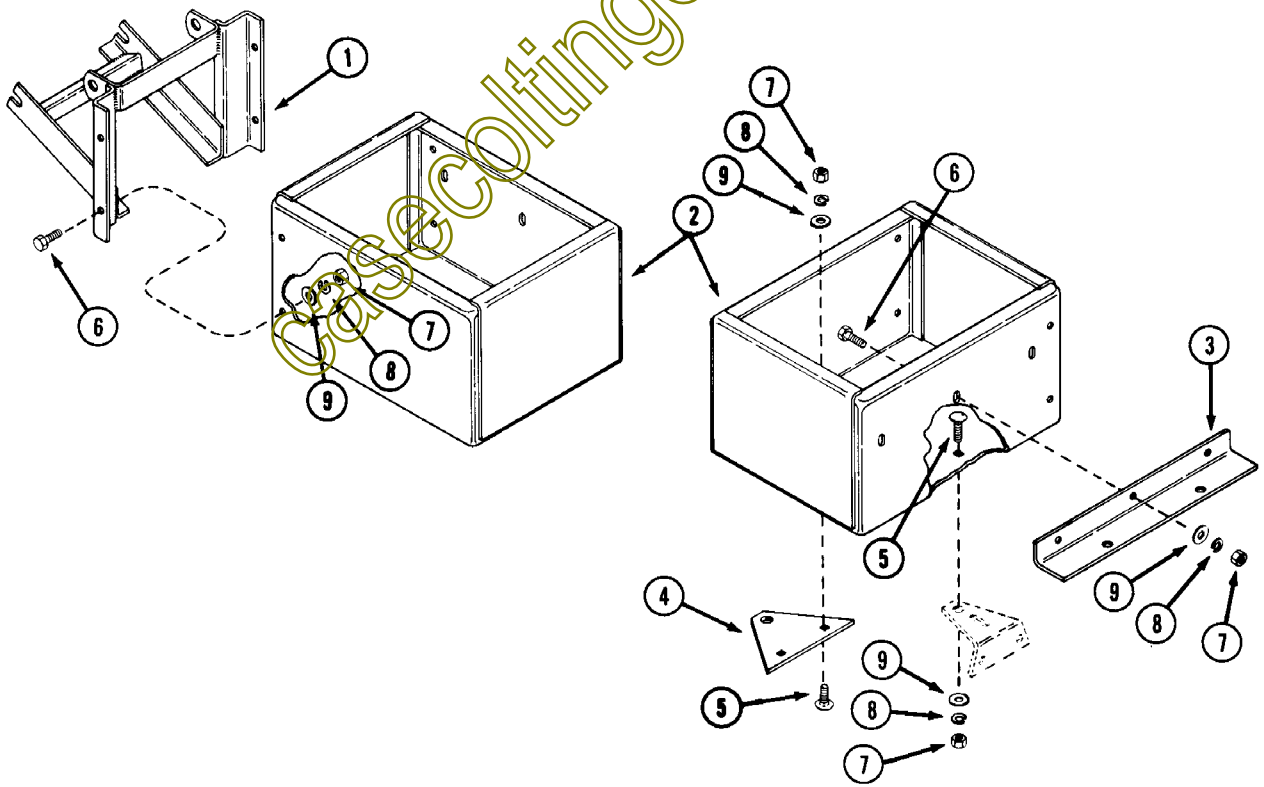
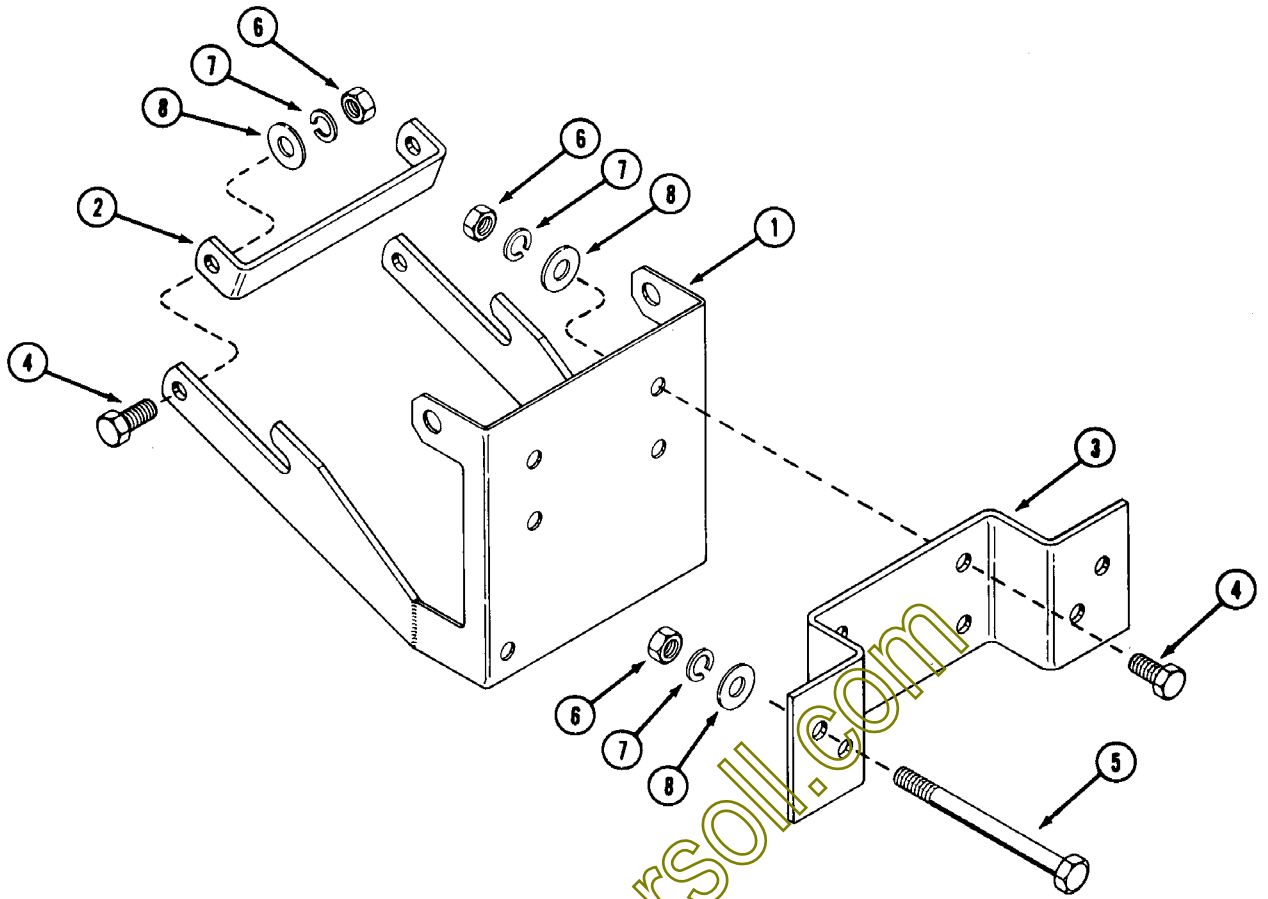
casecoltingersoll.com



## D10 WHEEL WEIGHTS

REF. PART NO.	DESCRIPTION	REQ'D
1 NSS	WEIGHT - wheel 15" & 16 (Order as Machinery Item)	4
2 111- 530	BOLT - 1/2 x 2-1/2" round head, square neck, NC, zinc plated	4
3 111- 531	BOLT - 1/2 x 2-3/4" round head, square neck, NC, zinc plated	4
4 92- 8	LOCKWASHER - 1/2" zinc plated	8
5 129- 105	NUT - 1/2" NC hex	8

casecoltingersoll.com

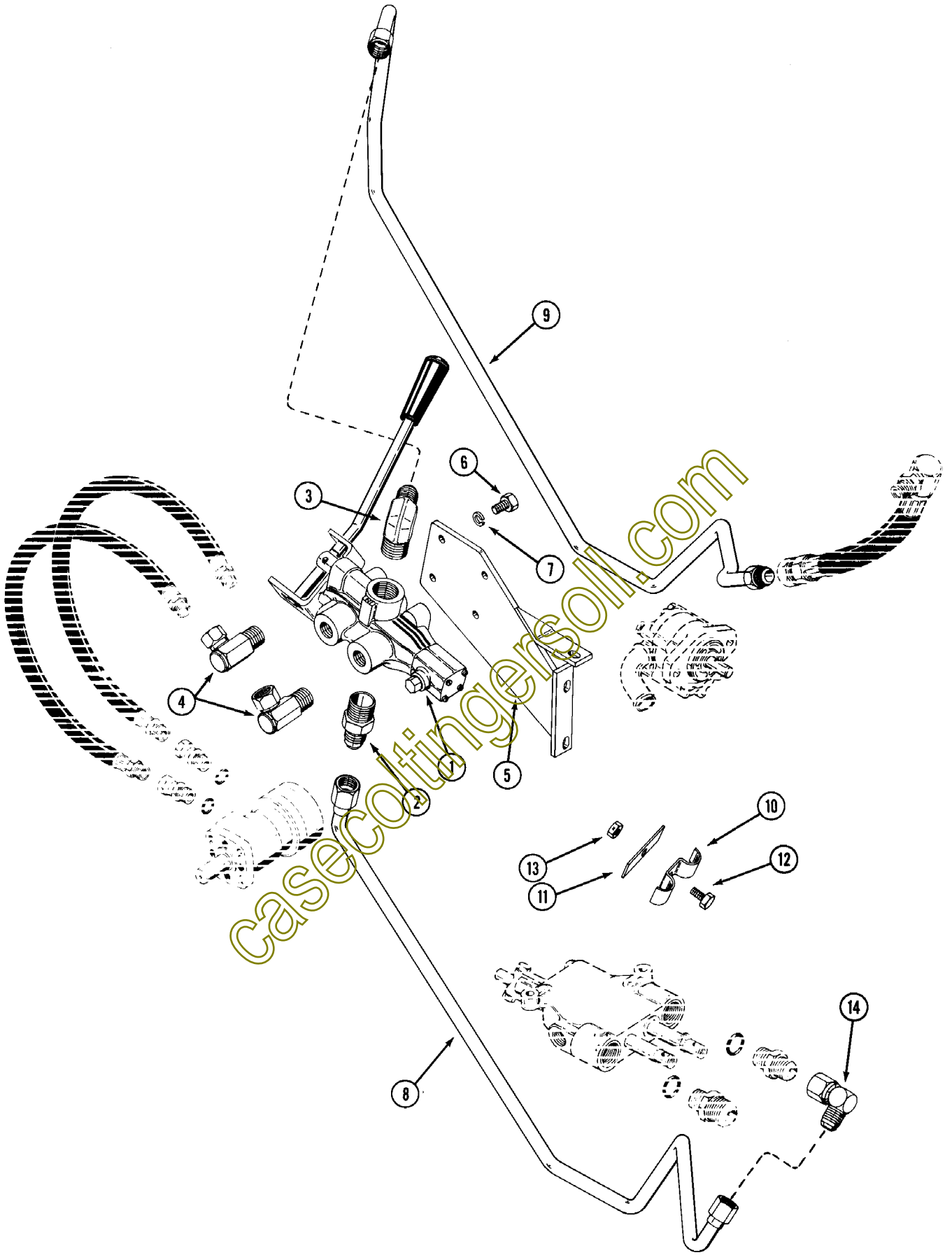


**MODEL H18 FRONT END WEIGHT BRACKETS**

REF.	PART NO.	DESCRIPTION	REQ'D
1	C 16581	BRACKET - mounting	1
2	C 17161	BRACE - rear	1
3	C 17162	BRACKET - weight mounting	1
4	113- 417	BOLT - 1/2 x 1-1/2" NC hex, zinc plated	6
5	113- 443	BOLT - 1/2 x 6-1/2" NC hex	2
6	25- 108	NUT - 1/2" NC hex, zinc plated	8
7	192- 23	LOCKWASHER - 1/2"	8
8	195- 533	WASHER - 1/2" zinc plated	8

**MODEL H13 WEIGHT BOX**

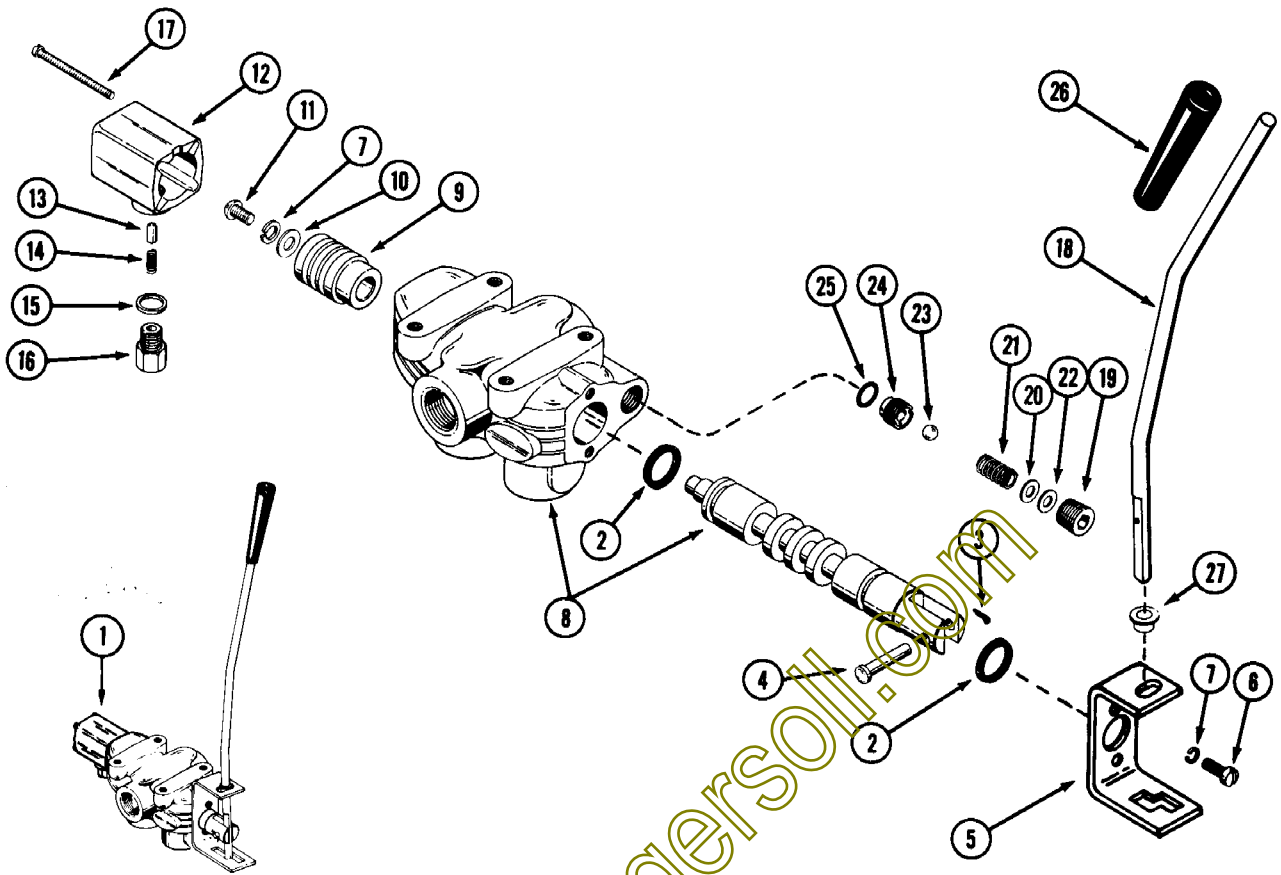
1	C 17859	FRAME - weight box	1
2	C 17863	BOX - weight	1
3	C 17860	SUPPORT - weight box	1
4	C 17636	PLATE - hitch	1
5	111- 317	BOLT - 3/8 x 1" round head, square neck	3
6	113- 207	BOLT - 3/8 x 1" NC hex	4
7	129- 103	NUT - 3/8" NC hex	7
8	192- 21	LOCKWASHER - 3/8"	7
9	195- 525	WASHER - 3/8"	7



## J-17 HYDRAULIC PTO KIT

REF.	PART NO.	DESCRIPTION	REQ'D
1	C 18281	VALVE - PTO control .....	1
2	218- 457	FITTING - straight 3/4" NPT x 5/8" tube .....	1
3	218- 494	FITTING - elbow 90°, 3/4" NPT x 5/8" tube .....	1
4	218- 927	FITTING - elbow - 90°, 1/2" NPT x 1/2" female NPSM swivel. . .	2
5	C 19418	BRACKET - valve mounting .....	1
6	113- 206	BOLT - 3/8" hex NC x 3/4" .....	4
7	192- 21	LOCKWASHER - 3/8" .....	4
8	C 19401	TUBE - pump to PTO valve .....	1
9	C 19400	TUBE - PTO valve to travel control valve .....	1
10	C 15389	CLAMP - double tubing .....	1
11	C 19424	BAR - clamp .....	1
12	113- 102	BOLT - 5/16" hex NC x 3/4" .....	1
13	129- 102	LOCKNUT - 5/16" NC hex .....	1
14	218- 5232	FITTING - 90° swivel elbow 37° x 37° flare 3/4" NPT x 5/8" tube. .	1

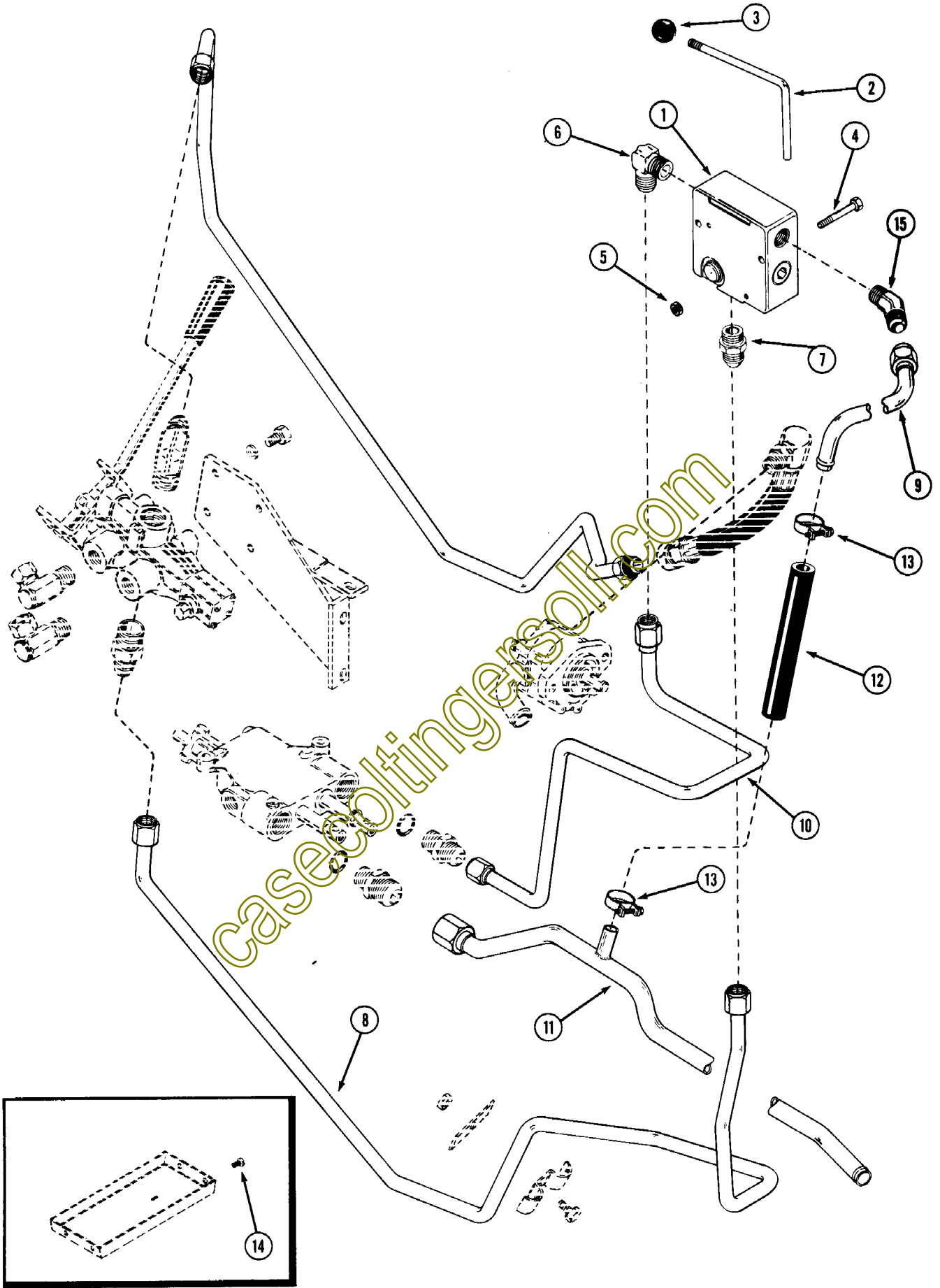
casecollectingersoll.com



casecoltingersol.com

## J-17 HYDRAULIC PTO VALVE

REF.	PART NO.	DESCRIPTION	REQ'D
1	C 18281	VALVE - control	1
2	C 11891	SEAL - U-cup	2
3	132- 5	PIN - cotter 1/16" x 1/2"	1
4	36627	PIN - handle	1
5	C 19422	BRACKET - handle	1
6	71- 410	SCREW - 1/4" x 5/8" NC fillister head	2
7	33628	LOCKWASHER - 1/4"	3
8	NSS	BODY AND SPOOL ASSEMBLY (Order C18281)	1
9	C 11895	ADAPTER - spool	1
10	95- 4	WASHER - plain 1/4"	1
11	75- 48	SCREW - 1/4" x 1/2" rd. hd. machine	1
12	C 11893	BONNET - detent	1
13	C 11901	PIN - detent	1
14	C 11892	SPRING - detent	1
15	C 11886	WASHER - detent spring	1
16	C 11887	CAP - detent	1
17	169- 108	SCREW - bonnet 8-32 x 2-1/4" fillister head	4
18	C 19423	LEVER - valve	1
19	221- 842	PLUG - relief 3/8" NPT	1
20	D 39712	SHIM - .010" thick	UAR
21	T 40189	SPRING - relief	1
22	A 55894	SHIM - .020" thick	UAR
23	211- 11	BALL - relief 3/8"	1
24	C 18417	SEAT - relief	1
25	A 27891	"O" RING - relief seat	1
26	A 37247	KNOB - hand throttle	1
27	C 12127	BUSHING - nylon	1





**MODEL J-19 FLOW CONTROL VALVE KIT**

REF.	PART NO.	DESCRIPTION	REQ'D
1	C 18722	VALVE - flow control	1
2	C 18720	LEVER - valve	1
3	A 61683	KNOB - lever	1
4	113- 12	BOLT - 1/4" x 2-1/2" NC hex	2
5	131- 1115	NUT - lock 1/4" NC hex	2
6	218- 485	FITTING - elbow 90° 1/2" NPT	1
7	218- 445	FITTING - straight 1/2" NPT	1
8	C 19402	TUBE - valve to PTO valve	1
9	C 19404	TUBE - bypass to return line	1
10	C 19403	TUBE - valve to tractor valve	1
11	C 19405	TUBE - heat exchanger	1
12	C 19474	HOSE - return	1
13	214- 6	CLAMP - hose	2
14	182- 515	SCREW - battery tray 5/16" x 5/8" pan head	2
15	218- 535	FITTING - 45° 1/2 NPT x 5/8" tube	1
	C 18719	DECAL - valve, "slow - fast"	1

casecollectingersoll.com

## NUMERICAL INDEX

PART NO.	PAGE NO.	REF. NO.	PART NO.	PAGE NO.	REF. NO.	PART NO.	PAGE NO.	REF. NO.			
	33628	53	7	C	13211	31	9	C	14827	29	4
	36627	53	4	C	13241	31	5	C	14828	29	7
A	7982	27	4	C	13261	31	40	C	14829	29	8
A	27891	53	25	C	13266	31	8	C	14830	29	9
A	30064	21	2	C	13360	27	1	C	14831	29	10
A	30095	23	34	C	13385	31	6	C	14832	29	11
A	30338	41	13	C	13526	21	2	C	14833	29	12
A	30881	17	11	C	13605	17	5	C	14834	29	13
A	37247	25	1	C	13716	17	6	C	14836	29	15
A	37247	33	11	C	13770	31	1	C	14837	29	5
A	37247	53	26	C	14060	37	1	C	14838	29	16
A	50096	31	18	C	14066	39	4	C	14867	45	1
A	55894	53	22	C	14157	7	2	C	14872	43	1
A	60273	27	1	C	14168	31	23	C	14975	41	2
A	61683	55	3	C	14195	23	12	C	14976	41	3
A	70062	21	8	C	14200	19	6	C	14977	41	1
A	70100	23	18	C	14201	19	7	C	14991	41	9
B	52118	41	12	C	14222	31	39	C	15036	25	19
B	52144	31	15	C	14223	31	37	C	15096	19	16
C	10317	21	1	C	14240	9	1	C	15183	13	5
C	10657	7	1	C	14241	9	1	C	15184	13	6
C	10836	37	27	C	14245	23	14	C	15389	51	10
C	10898	45	4	C	14246	9	3	C	15410	13	33
C	11529	7	5	C	14291	11	6	C	15410	15	9
C	11529	23	16	C	14293	11	12	C	15515	11	7
C	11545	7	6	C	14295	11	10	C	15556	11	11
C	11545	23	17	C	14302	35	16	C	15557	11	8
C	11580	23	16	C	14302	37	-	C	15719	11	9
C	11886	53	15	C	14303	37	13	C	15729	25	2
C	11887	53	16	C	14304	37	-	C	15731	25	4
C	11891	53	2	C	14305	37	15	C	15732	25	5
C	11892	53	14	C	14457	45	2	C	15733	25	6
C	11893	53	12	C	14459	43	5	C	15734	25	7
C	11895	53	9	C	14460	45	5	C	15735	25	8
C	11901	53	13	C	14500	13	14	C	15737	25	10
C	12081	21	3	C	14506	7	4	C	15738	25	11
C	12093	25	2	C	14534	15	12	C	15739	25	12
C	12093	33	12	C	14537	35	13	C	15740	25	13
C	12102	17	13	C	14539	39	6	C	15741	25	14
C	12110	21	5	C	14553	35	10	C	15768	43	7
C	12111	21	6	C	14565	35	2	C	16128	41	20
C	12127	53	27	C	14566	35	3	C	16133	33	29
C	12224	7	2	C	14568	43	2	C	16164	33	10
C	12370	21	7	C	14568	45	14	C	16164	21	21
C	12551	31	25	C	14619	23	37	C	16170	13	2
C	12552	31	26	C	14644	31	24	C	16200	19	4
C	12559	31	31	C	14655	23	35	C	16239	13	23
C	12560	31	32	C	14655	29	-	C	16239	35	22
C	12561	31	34	C	14690	7	10	C	16295	31	27
C	12713	31	2	C	14690	9	4	C	16339	31	22
C	12718	31	36	C	14692	43	9	C	16351	13	28
C	12721	31	14	C	14703	41	16	C	16362	13	12
C	12722	31	12	C	14709	41	17	C	16363	7	4
C	12723	31	10	C	14710	41	18	C	16373	13	24
C	12725	31	21	C	14712	41	-	C	16374	13	25
C	12965	31	38	C	14715	41	8	C	16379	21	23
C	12975	17	10	C	14717	41	15	C	16384	17	17
C	12975	19	20	C	14722	41	3	C	16393	15	17
C	13106	17	8	C	14724	41	4	C	16404	15	2
C	13196	31	16	C	14725	41	14	C	16408	15	1
C	13197	31	17	C	14728	15	22	C	16429	15	7
C	13200	27	12	C	14729	13	20				

# NUMERICAL INDEX

PART NO.	PAGE NO.	REF. NO.	PART NO.	PAGE NO.	REF. NO.	PART NO.	PAGE NO.	REF. NO.			
C	16444	15	15	C	18281	51	1	C	19194	5	2
C	16445	15	15	C	18281	53	1	C	19195	5	1
C	16581	49	1	C	18318	33	5	C	19207	25	15
C	16616	11	1	C	18321	23	32	C	19212	29	-
C	16651	15	8	C	18382	29	-	C	19228	35	1
C	16687	23	24	C	18389	35	14	C	19229	35	8
C	16692	19	18	C	18417	53	24	C	19230	35	9
C	16730	25	5	C	18580	23	15	C	19231	35	6
C	16730	33	15	C	18711	19	12	C	19232	35	7
C	16744	31	3	C	18713	23	29	C	19234	35	15
C	16786	11	13	C	18713	27	-	C	19237	23	38
C	16796	7	7	C	18713	33	26	C	19238	7	3
C	17066	15	20	C	18719	55	-	C	19239	7	3
C	17152	15	14	C	18720	55	2	C	19240	7	1
C	17161	49	2	C	18722	55	1	C	19243	21	19
C	17162	49	3	C	18733	13	30	C	19245	13	4
C	17188	43	3	C	18742	25	6	C	19246	37	20
C	17189	43	4	C	18742	33	18	C	19250	21	1
C	17216	15	19	C	18782	17	3	C	19251	21	11
C	17219	45	8	C	18782	17	2	C	19254	37	23
C	17224	33	28	C	18784	17	18	C	19260	5	3
C	17236	23	8	C	18786	17	21	C	19261	5	2
C	17245	5	5	C	18797	23	1	C	19362	9	1
C	17249	33	6	C	18813	17	4	C	19363	11	3
C	17250	33	7	C	18825	25	3	C	19378	35	11
C	17268	33	35	C	18857	21	13	C	19379	35	12
C	17268	43	13	C	18871	23	1	C	19400	51	9
C	17432	27	7	C	18885	5	1	C	19401	51	8
C	17433	27	8	C	18886	39	25	C	19402	55	8
C	17435	27	9	C	18888	13	17	C	19403	55	10
C	17438	27	17	C	18890	11	2	C	19404	55	9
C	17439	27	11	C	18901	11	15	C	19405	55	11
C	17440	27	14	C	18908	11	-	C	19417	15	6
C	17441	27	13	C	18910	9	3	C	19418	51	5
C	17443	27	18	C	18911	23	6	C	19422	53	5
C	17444	27	19	C	18916	25	16	C	19423	53	18
C	17445	27	15	C	18916	11	17	C	19424	51	11
C	17612	25	4	C	18940	13	1	C	19432	5	4
C	17612	33	16	C	18991	19	5	C	19468	43	6
C	17622	23	10	C	18992	17	19	C	19469	43	8
C	17636	49	1	C	19009	25	8	C	19474	55	12
C	17732	33	31	C	19025	33	20	C	19562	35	17
C	17732	33	31	C	19025	29	-	C	19661	33	1
C	17763	35	20	C	19037	29	-	D	31945	31	4
C	17859	49	1	C	19038	29	-	D	39712	53	20
C	17860	49	3	C	19039	29	-	F	59014	11	14
C	17863	49	2	C	19040	29	-	G	49048	19	9
C	17898	23	25	C	19041	29	-	L	30654	29	-
C	17921	37	2	C	19045	23	7	L	30654	29	1
C	17976	35	19	C	19045	25	1	O	2815N	11	16
C	18014	19	2	C	19055	35	4	R	17820	31	33
C	18016	19	1	C	19063	21	7	T	33565	23	5
C	18017	19	21	C	19064	21	8	T	40189	53	21
C	18115	35	21	C	19104	33	30	<b>HARDWARE CODE NUMBERS</b>			
C	18147	21	22	C	19113	25	3				
C	18150	13	17	C	19114	25	9				
C	18153	13	11	C	19115	25	21				
C	18197	35	18	C	19179	21	10				
C	18216	5	3	C	19183	21	17				
C	18251	33	3	C	19186	21	16				
				C	19187	21	15				
				C	19191	23	23				
								13-	614	33	8
								25-	108	49	6
								71-	410	53	6
								75-	48	53	11

## NUMERICAL INDEX

PART NO.	PAGE NO.	REF. NO.	PART NO.	PAGE NO.	REF. NO.	PART NO.	PAGE NO.	REF. NO.			
83-	55	25	20	129-	504	23	20	192-	20	13	19
92-	8	47	4	129-	531	27	10	192-	20	19	10
95-	4	53	10	129-	660	37	28	192-	20	37	16
111-	1	7	5	131-	71	13	16	192-	20	37	16
111-	1	13	7	131-	118	9	8	192-	21	19	14
111-	108	37	12	131-	159	13	29	192-	21	23	4
111-	109	13	15	131-	164	21	20	192-	21	49	8
111-	131	37	8	131-	176	41	11	192-	21	51	7
111-	202	37	10	131-	178	9	2	192-	23	13	21
111-	317	49	5	131-	178	15	21	192-	23	15	5
111-	530	47	2	131-	178	33	9	192-	23	17	14
111-	531	47	3	131-	178	33	22	192-	23	27	2
113-	1	31	20	131-	179	13	31	192-	23	45	7
113-	3	5	4	131-	179	21	5	192-	23	49	7
113-	3	37	5	131-	351	23	31	193-	57	37	9
113-	12	55	4	131-	356	19	3	193-	70	37	26
113-	102	51	12	131-	366	31	35	193-	76	11	5
113-	113	19	11	131-	629	37	3	193-	525	13	32
113-	118	9	5	131-	1112	19	8	195-	104	9	9
113-	118	41	10	131-	1115	55	5	195-	104	21	6
113-	122	15	11	131-	1129	21	4	195-	104	33	23
113-	206	19	13	132-	5	53	3	195-	512	13	10
113-	206	51	6	132-	46	9	7	195-	513	37	22
113-	207	9	6	132-	46	13	13	195-	521	25	9
113-	207	49	6	132-	48	9	5	195-	521	33	17
113-	207	33	21	132-	91	41	6	195-	524	15	18
113-	219	13	35	132-	306	45	12	195-	525	9	10
113-	233	23	2	132-	310	21	3	195-	525	49	9
113-	417	41	5	132-	310	33	4	195-	533	33	14
113-	417	45	6	132-	310	41	4	195-	533	49	8
113-	417	45	9	132-	311	17	9	195-	541	41	7
113-	417	49	4	132-	320	25	10	195-	541	45	3
113-	421	45	13	132-	320	33	13	195-	545	45	11
113-	424	13	22	132-	321	21	9	195-	2021	15	10
113-	424	15	4	138-	59	41	19	195-	2029	13	34
113-	424	27	3	138-	99	17	4	195-	2069	19	15
113-	425	43	3	138-	309	41	5	211-	7	27	16
113-	441	15	3	138-	319	13	26	211-	9	27	6
113-	443	49	5	138-	319	21	18	211-	11	53	23
114-	200	23	3	138-	319	31	42	213-	4	21	14
121-	106	13	3	141-	4	21	12	214-	6	55	13
121-	106	15	13	151-	525	5	5	214-	8	23	13
126-	16	19	17	164-	41	11	4	214-	14	23	28
126-	128	31	41	166-	86	23	36	214-	251	7	11
129-	17	7	7	169-	108	53	17	214-	258	23	11
129-	17	13	9	169-	114	27	20	218-	445	55	7
129-	27	37	18	171-	247	23	30	218-	485	55	6
129-	77	37	24	173-	215	7	8	218-	494	51	3
129-	101	37	6	173-	215	23	19	218-	457	51	2
129-	102	13	27	182-	515	55	14	218-	927	51	4
129-	102	37	11	182-	523	37	21	218-	5006	23	22
129-	102	51	13	187-	485	37	25	218-	5007	23	9
129-	103	49	7	187-	1046	17	12	218-	5007	23	33
129-	105	45	10	187-	1047	37	4	218-	5007	23	27
129-	105	47	5	187-	1251	9	2	218-	5056	31	27
129-	122	25	7	192-	18	7	6	218-	5107	23	26
129-	122	33	19	192-	18	13	8	218-	5232	51	14
129-	122	37	17	192-	18	37	19	218-	5291	43	5
129-	125	17	15	192-	19	5	6	219-	17	17	20
129-	325	17	16	192-	19	31	19	219-	403	21	4
129-	504	7	9	192-	19	37	7	219-	404	17	7

# NUMERICAL INDEX

PART NO.	PAGE NO.	REF. NO.	PART NO.	PAGE NO.	REF. NO.	PART NO.	PAGE NO.	REF. NO.
19-	404	19						
219-	404	33						
219-	405	41						
221-	4	31						
221-	841	27						
221-	842	53						
221-	1134	43						
221-	1375	43						
223-	20	35						
321-	1571	39						
321-	1785	39						
321-	1786	39						
321-	1788	39						
321-	2110	39						
321-	2111	39						
321-	2500	39						
321-	2501	39						
321-	2487	39						
321-	2503	39						
353-	495	5						

casecoltingersoll.com

casecollectingersoll.com

Printed In U.S.A.