



COMPACT TRACTORS

446 P.I.N. 9770165 to 14041700

448 P.I.N. 9774000 to 14044240

Parts Catalog No. 8-1242

casecoltingersoll.com

JI Case
A Tenneco Company

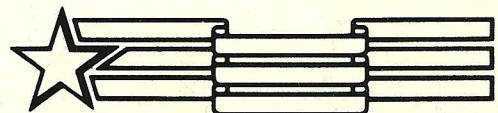




Ingersoll

COMPACT TRACTORS
446 P.I.N. 9770165 to 14041700
448 P.I.N. 9774000 to 14044240
Parts Catalog No. 8-1242

casecoltingersoll.com



QUALITY IN THE AMERICAN TRADITION

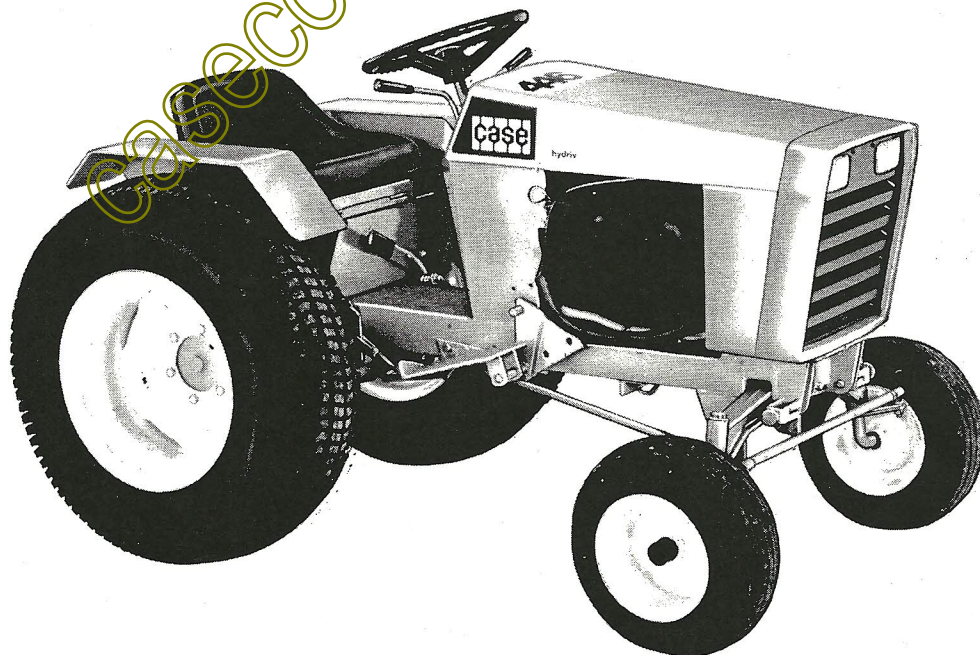
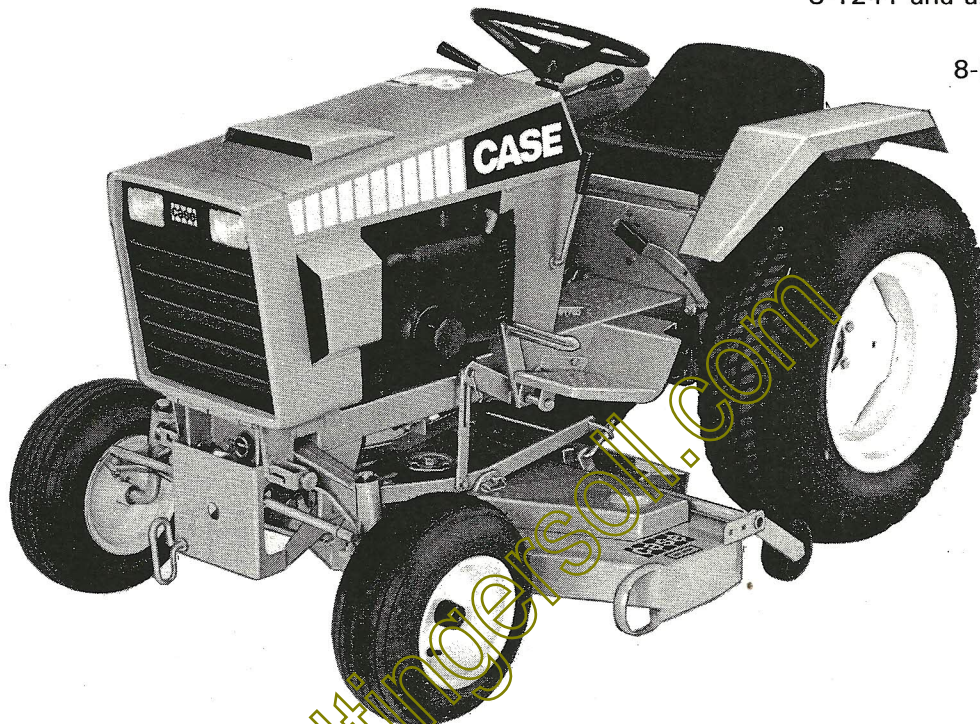
Ingersoll Equipment Co., Inc.

Winneconne, Wisconsin 54986-9576

COMPACT TRACTORS
446 P.I.N. 9770165 to 14041700
448 P.I.N. 9774000 to 14044240
Parts Catalog No. 8-1242

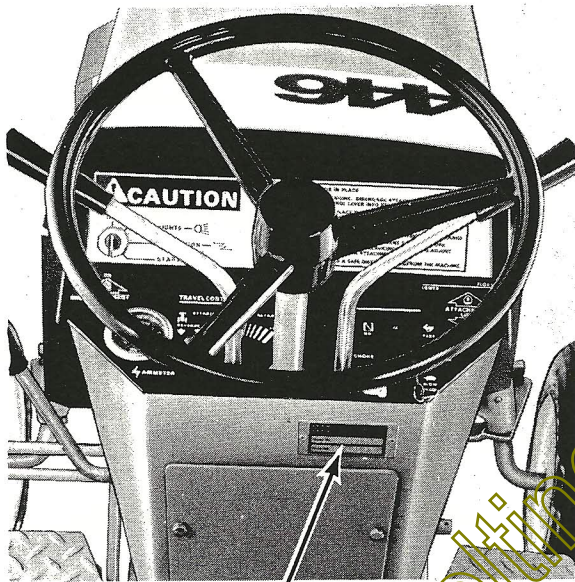
NOTE: This catalog replaces catalog
8-1241 and all revisions

8-94-RP-300-385

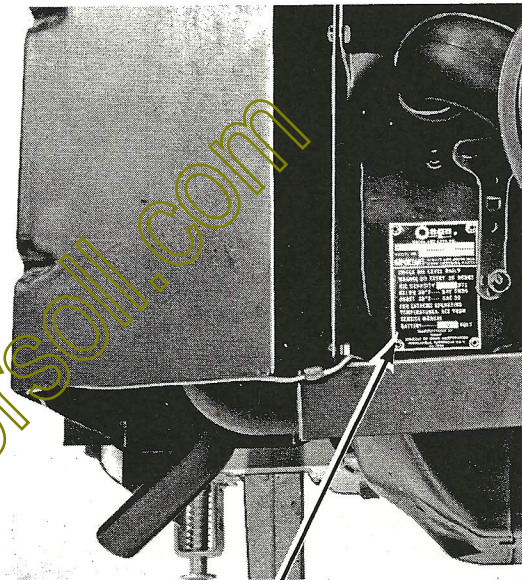


casecoltingersoll.com

CASE 446 AND 448 COMPACT TRACTOR



**TRACTOR MODEL AND
P.I.N. NUMBER**



**ENGINE MODEL, SERIAL AND
SPECIFICATION NUMBERS**

TRACTOR MODEL	ENGINE MODEL
446 TRACTOR	ONAN B43M - GAO16 C24787 ENGINE SPEC. NO. 3419A, 3552A AND 3622A
448 TRACTOR	ONAN B48M - GAO18 C25262 ENGINE SPEC. NO. 3631A

**PRODUCT IDENTIFICATION
NUMBER (P.I.N.)**

While you use this catalog you will see a P.I.N. in the description of some parts. This P.I.N. means that the part indicated can be used only according to the instructions.

INDEX

There is an index at the front and rear of this catalog.

The front index is an alphabetical index of the major groups or assemblies.

The rear index is a numerical index of the part numbers and pages on which these numbers are shown.

ILLUSTRATION

Each illustration in this catalog shows a group of parts or components. These parts and components are aligned approximately as the parts and components on your machine. Each part and component in an illustration has a reference number. These reference numbers are in a list on the page opposite of the illustration. Next to the reference number is the part number, description and required quantity of the part shown in the illustration.

ABBREVIATIONS

UAR - "Use as required" indicates that the part quantity is variable.

NSS - "Not sold separately" indicates that the part is only available as a component of an assembly or the part must be purchased locally. If the part is an assembly component, the description will be indented under the assembly description in the parts list.

INDENTED DESCRIPTIONS

An assembly can have many components. The components of an assembly are indicated by an indented description. The quantity for an indented part is the total needed for that complete assembly. See the example.

PARTS ORDERS

All orders must include the following information:

1. Correct part number.
2. Complete description of part or component.
3. Total quantity of each part or component.
4. Product model number.
5. All necessary product identification numbers.
6. Method for sending the parts.
7. Complete and correct address.

CATALOG REVISIONS

As the product changes, we will send you new pages of your catalog.

IMPORTANT: Put all revisions into the catalog as possible.

RIGHT HAND AND LEFT HAND IDENTIFICATION

The words right hand (RH) and left hand (LH) as used in this catalog indicate the direction while you are in the operator's seat in the normal operating position.

REF.	PART NO.	DESCRIPTION	REQ'D
	A 55159	CYLINDER ASSY - rear steering	1
28	A 56208	SOCKET ASSY - rear cylinder	1
29	A 55956	PLUG - adjusting, socket assy	1
30	A 55957	SEAT - socket ball	2
31	A 56210	SPRING - socket	1
32	A 56209	SEAT - socket spring.	1
33	G 45175	CLAMP ASSY - socket assy	1
	16- 836	BOLT - 1/2" x 2-1/4" N.F. hex.	1
34	132- 104	PIN - cotter, 3/16" x 3".	1
35	A 55889	STUD - ball, socket & cylinder	2
36	13- 410	BOLT - 1/4" x 5/8" N.C., hex.	4
37	92- 4	LOCKWASHER - 1/4" SAE	4

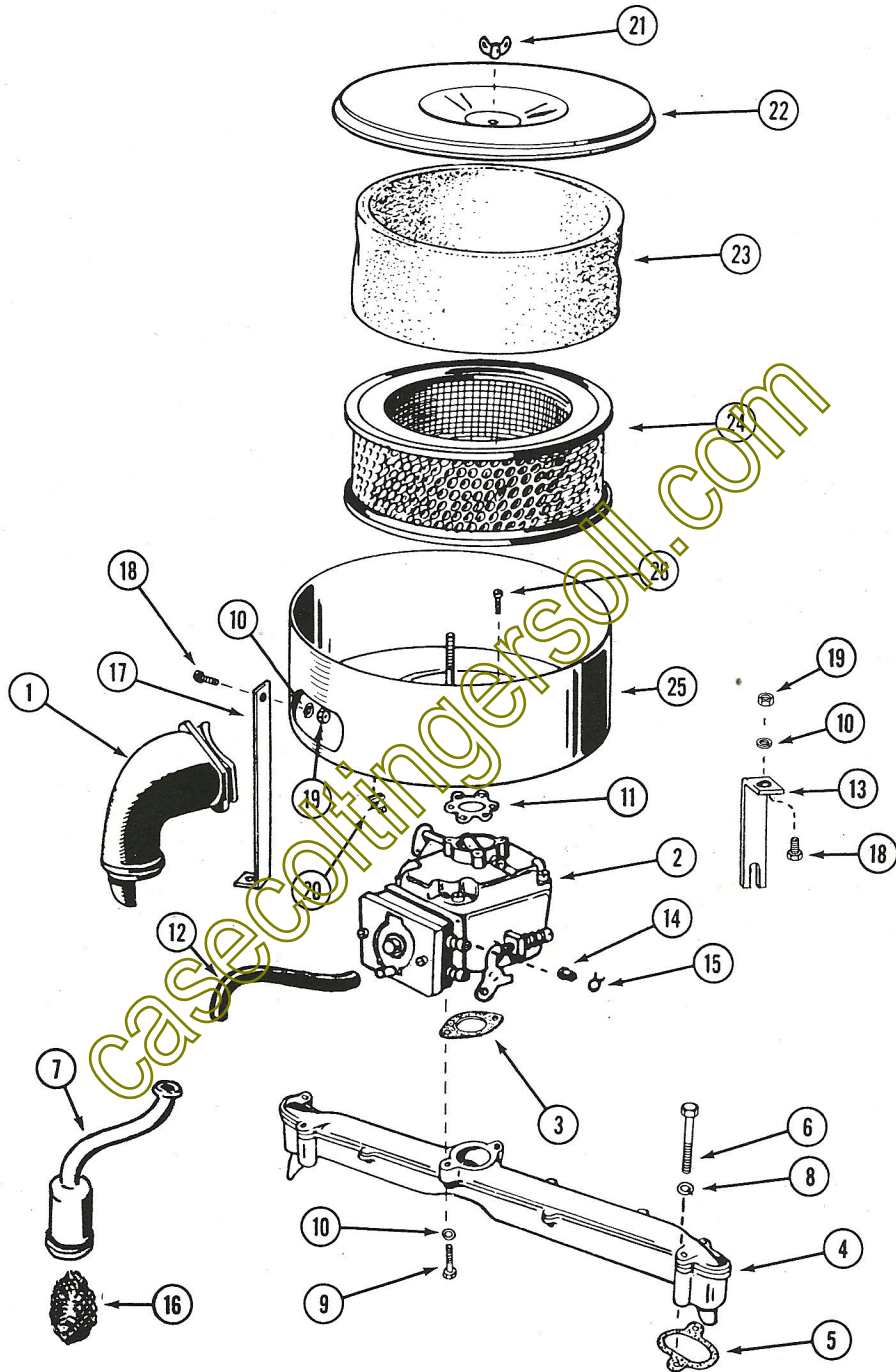
ALPHABETICAL INDEX

ENGINE SECTION

	PAGE		PAGE
Air Cleaner	5	Exhaust System	15
Baffles and Shields	17-21	Fan	21
Battery	59	Flywheel, Engine	9
Camshaft	9	Fuel System	5-23
Carburetor	5-7	Governor	15-17
Choke and Throttle	23	Housing, Blower	17
Clutch, PTO	27	Oil Pump	15
Crankshaft	9	Oil Sump	15
Electrical System	19-59	Pistons and Connecting Rods ..	9
Engine Block	11-13	Starter Motor	17

BASIC TRACTOR SECTION

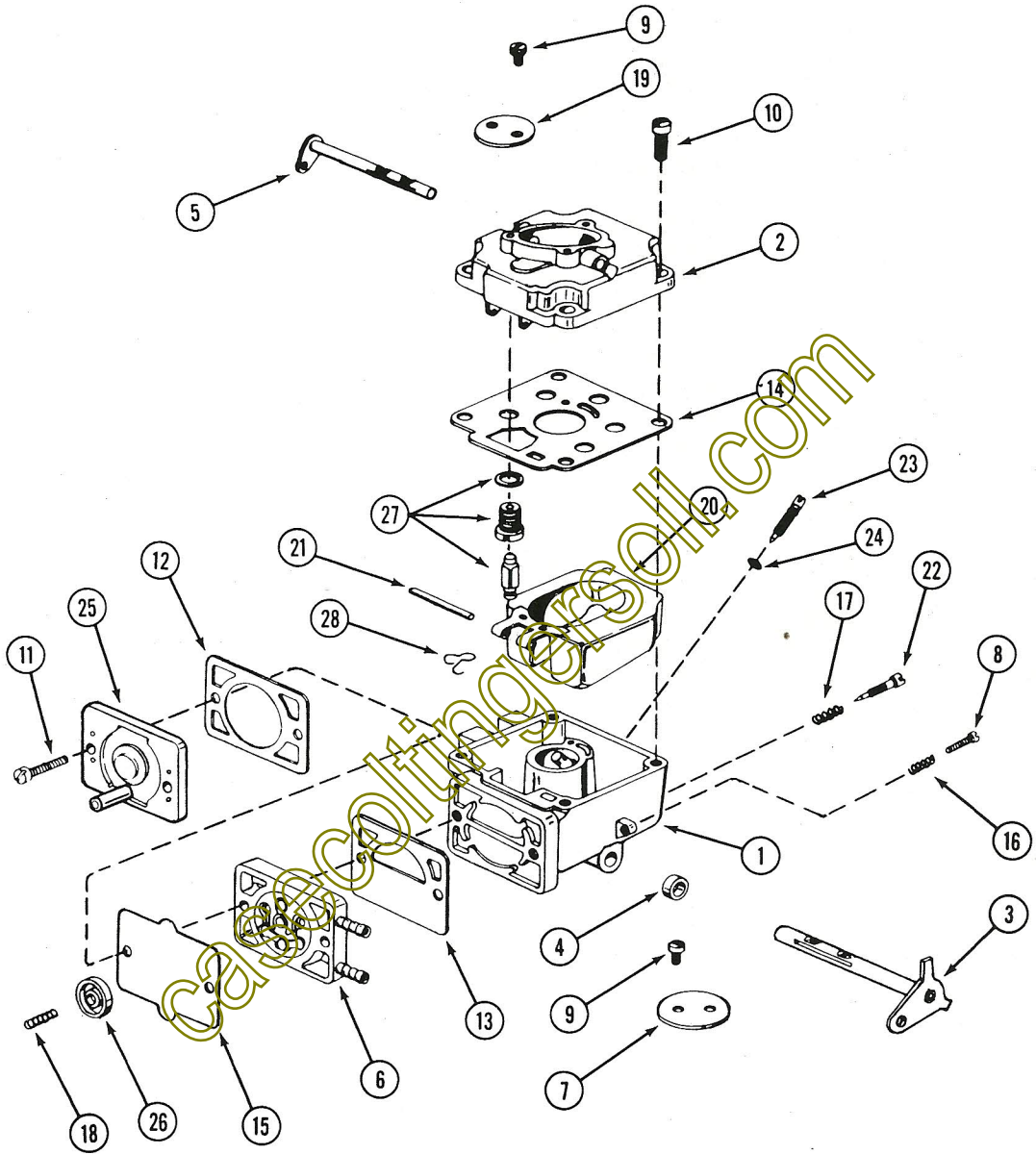
	PAGE		PAGE
Axle, Front	33	Valve, Hydraulic	49-53
Axle, Rear	55	F27 Three Point Hitch Adapter ..	67
Baffles & Heat Shields	17-21-43	R13 Weight Box	73
Brakes	37	H18 Counterweight Brackets ..	73
Clutch Assembly, PTO	27	Instruments	59
Control, Speed	41	J26 Three Point Hitch	65-67
Decals	63	K10 Wheel Weights	71
Electrical System	19-61	K24 Sleeve Hitch	69
Fenders	31	L11 Weight Kit	81
Frame	29	L17 Hydraulic PTO Kit	75-77
Grille	29	L29 PTO	83
Hitch	49	Lift, Implement, Hydraulic	57
Hood	29	M9 Holding Valve	81
Hydraulics	39-53	M19 Flow Control Kit	79
Coupling, Pump Drive	39-45	PTO Linkage	25
Heat Exchanger Mounting	47	Seat, Operator's	31
Hoses, Lines and Fittings	39	Steering Wheel & Gear	35
Motor, Hydraulic Drive	39-41	Tool Box	31
Pump	39-45	Transmission	55
		Wheels, Front and Rear	37



CARBURETOR, AIR FILTER AND MANIFOLD

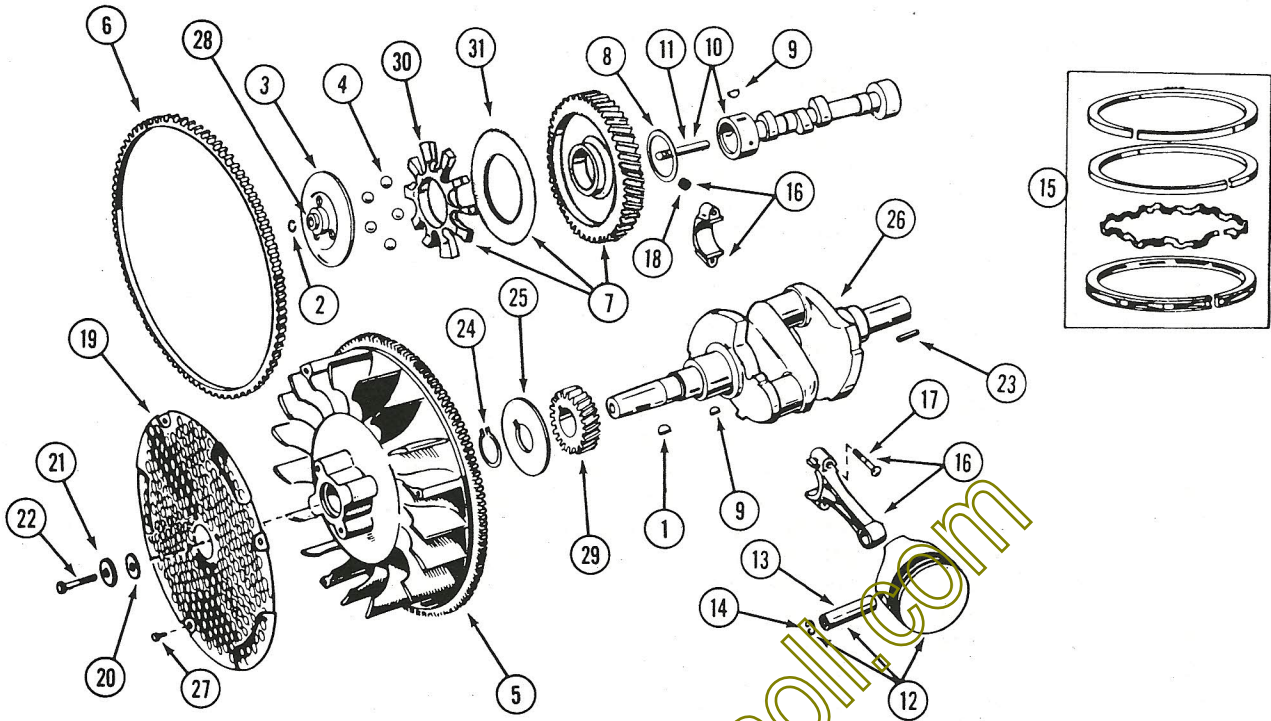
REF.	PART NO.	DESCRIPTION	REQ'D
1	C 20387	TUBE - air intake	1
2	C 27507	CARBURETOR AND FUEL PUMP ASSEMBLY (repairs page 7)	1
3	C 20389	GASKET - carburetor mounting	1
4	C 28720	MANIFOLD - engine intake	1
5	C 26202	GASKET - intake manifold	2
6	113- 121	BOLT - manifold 5/16" x 2"	4
7	C 24927	HOSE - breather	1
8	192- 20	LOCK WASHER - 5/16"	4
9	113- 65	BOLT - 1/4" x 1-3/4" N.C. hex	2
10	192- 19	LOCK WASHER - 1/4"	3
11	C 20396	GASKET - air cleaner mounting	1
12	C 23300	HOSE - fuel pump	1
13	C 24929	BRACKET - support	1
14	C 20411	CAP - fuel pump	1
15	214- 102	CLAMP - hose 7/16"	1
16	C 29948	FILTER - breather	1
17	C 20393	SUPPORT - air cleaner	1
18	13- 48	BOLT - 1/4" x 1/2" N.C. hex	1
19	129- 101	NUT - 1/4" N.C. hex	1
20	C 20407	RETAINER - choke cable	2
21	C 26703	NUT - wing 1/4"	1
22	C 20399	COVER - air cleaner	1
23	C 20405	PRECLEANER	1
24	C 20398	ELEMENT - air cleaner	1
25	C 20397	HOUSING - air cleaner	1
26	182- 525	SCREW - No. 10 x 3/8" round head	3
	C 22947	TIE - breather tube	1

casecoltingersoil.com



C27507 CARBURETOR AND FUEL PUMP ASSEMBLY

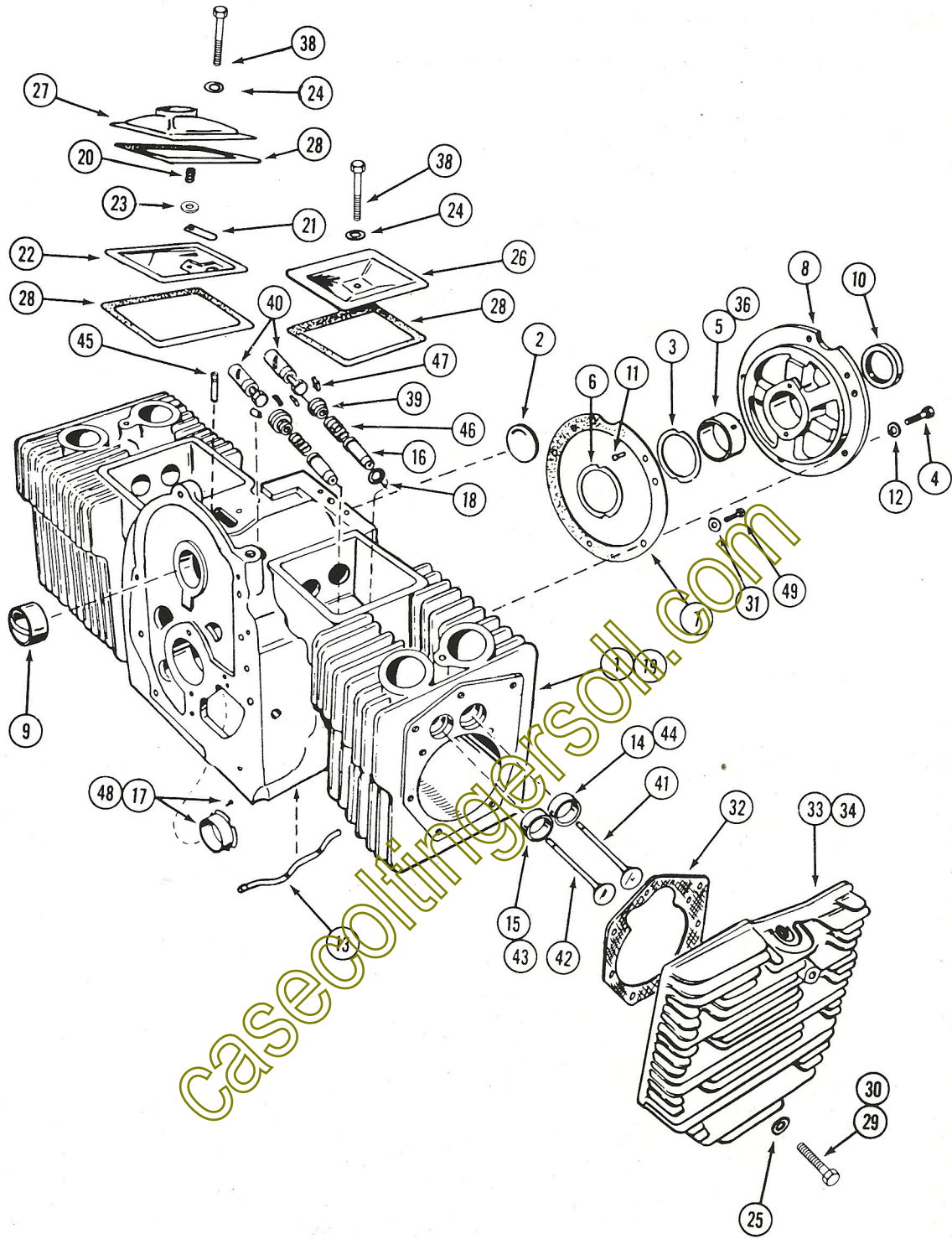
REF.	PART NO.	DESCRIPTION	REQ'D
1	NSS	BODY ASSEMBLY - carburetor (order C27507 carburetor)	1
2	NSS	SLEEVE ASSEMBLY - carburetor (order C27507 carburetor)	1
3	C 20425	SHAFT - throttle (See kit below)	1
4	C 20426	PACKING - shaft (See kit below)	1
5	C 20427	SHAFT - choke	1
6	C 20428	VALVE - plate assembly (See kit below)	1
7	C 20429	PLATE - throttle	1
8	C 20430	SCREW - throttle stop	1
9	C 20431	SCREW - plate mounting (See kit below)	4
10	C 20432	SCREW - bowl cover mounting	4
11	C 20433	SCREW - pump cover	2
12	C 20434	GASKET - cover to valve plate (See kit below)	1
13	C 20435	GASKET - pump cover (See kit below)	1
14	C 20436	GASKET - sleeve assembly (See kit below)	1
15	C 20437	DIAPHRAGM - fuel pump (See kit below)	1
16	C 20438	SPRING - screw, throttle stop	1
17	C 20439	SPRING - idle needle (See kit below)	1
18	C 20440	SPRING - diaphragm, fuel pump (See kit below)	1
19	C 20441	PLATE - choke	1
20	C 27506	FLOAT ASSEMBLY - carburetor	1
21	C 20443	PIN - float (See kit below)	1
22	C 20444	NEEDLE - idle adjust (See kit below)	1
23	C 20445	NEEDLE ASSEMBLY - power	1
24	C 20446	"O" RING - needle assembly (See kit below)	1
25	C 20447	COVER - fuel pump	1
26	C 20448	PLATE - spring, fuel pump (See kit below)	2
27	C 20449	INLET - needle and seat assembly	1
28	C 20450	RETAINER - float pin	1
	C 24665	KIT - gasket (includes items 4, 12, 13, 14, 15 and 24)	1
	C 24666	KIT - repair (includes items 3, 6, 9, 17, 18, 21, 22, 26, 27 and gasket kit)	1



casecoltingersoll.com

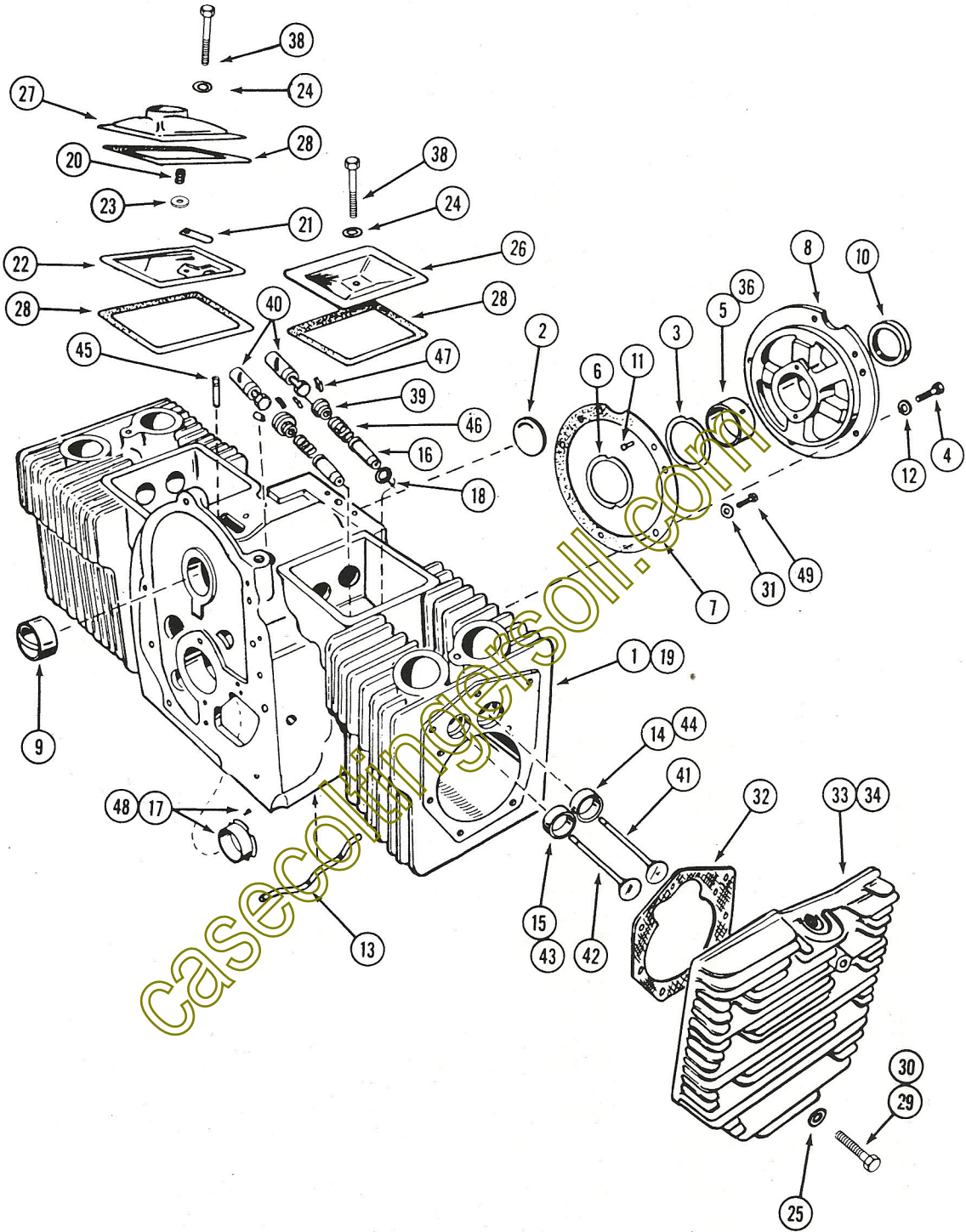
PISTON, CRANKSHAFT, FLYWHEEL AND CAMSHAFT

REF.	PART NO.	DESCRIPTION	REQ'D
1	126- 13	KEY - woodruff 3/16" x 5/8", flywheel mounting	1
2	C 20223	RING - camshaft center pin	1
3	C 24326	CUP - governor	1
4	211- 216	BALL - governor	5
5	C 24943	FLYWHEEL - engine (includes ring gear and magnet ring)	1
6	C 20226	GEAR - ring, flywheel	1
7	C 22261	GEAR ASSEMBLY - camshaft (includes items 30 and 31)	1
8	C 20229	WASHER - thrust, camshaft gear	1
9	126- 9	KEY - woodruff 1/8" x 1/2" (0.13 x 12.7 mm)	2
10	C 23304	CAMSHAFT - (includes C20233 pin)	1
11	C 20233	PIN - camshaft center	1
12	C 24931	PISTON AND PIN - standard (includes item 14)	2
12	C 24932	PISTON AND PIN - .005" oversize (includes item 14) (0.13 mm)	2
12	C 24933	PISTON AND PIN - .010" oversize (includes item 14) (0.25 mm)	2
12	C 24934	PISTON AND PIN - .020" oversize (includes item 14) (0.51 mm)	2
12	C 24935	PISTON AND PIN - .030" oversize (includes item 14) (0.76 mm)	2
12	C 24936	PISTON AND PIN - .040" oversize (includes item 14) (1.02 mm)	2
13	C 29972	PIN - piston	2
14	C 20241	RETAINER - piston pin	4
15	C 29739	RING SET - piston (standard)	2
15	C 24938	RING SET - piston (.005" oversize) (0.13 mm)	2
15	C 24939	RING SET - piston (.010" oversize) (0.25 mm)	2
15	C 24940	RING SET - piston (.020" oversize) (0.51 mm)	2
15	C 24941	RING SET - piston (.030" oversize) (0.76 mm)	2
15	C 24942	RING SET - piston (.040" oversize) (1.02 mm)	2
16	C 20202	CONNECTING ROD ASSEMBLY - (standard) includes 17 and 18 (446)	2
16	C 20203	CONNECTING ROD ASSEMBLY - (.010" undersize) (0.25 mm) 446	2
16	C 20204	CONNECTING ROD ASSEMBLY - (.020" undersize) (0.51 mm) 446	2
16	C 20205	CONNECTING ROD ASSEMBLY - (.030" undersize) (0.76 mm) 446	2
16	C 25383	CONNECTING ROD ASSEMBLY - (standard) 448	2
16	C 25384	CONNECTING ROD ASSEMBLY - (.010" undersize) (0.25 mm) 448	2
16	C 25385	CONNECTING ROD ASSEMBLY - (.020" undersize) (0.51 mm) 448	2
16	C 25386	CONNECTING ROD ASSEMBLY - (.030" undersize) (0.76 mm) 448	2
17	C 25774	BOLT - connecting rod, special 5/16" N.F. hex	4
18	C 25775	NUT - lock, connecting rod 5/16" N.F.	4
19	C 20215	SCREEN - flywheel	1
20	C 20303	WASHER - 7/16" flywheel mounting	1
21	92- 7	LOCK WASHER - 7/16"	1
22	113- 321	BOLT - 7/16" x 4" N.C. hex, flywheel mounting	1
23	C 28345	KEY - square, 1/4" x 2", rear crankshaft (6.35 x 50.8 mm)	1
24	C 20218	RETAINER - crankshaft gear	1
25	C 20219	WASHER - retaining, crankshaft gear	1
26	C 22500	CRANKSHAFT - engine (446)	1
26	C 25776	CRANKSHAFT - engine (448)	1
27	182- 547	SCREW - locking 1/4" x 1/2" N.C. hex	3
28	C 24325	HUB - governor cup	2
29	C 22262	GEAR - crankshaft	1
30	C 29973	SPACER - governor ball	1
31	C 22264	PLATE - governor ball	1



ENGINE BLOCK AND ATTACHING PARTS

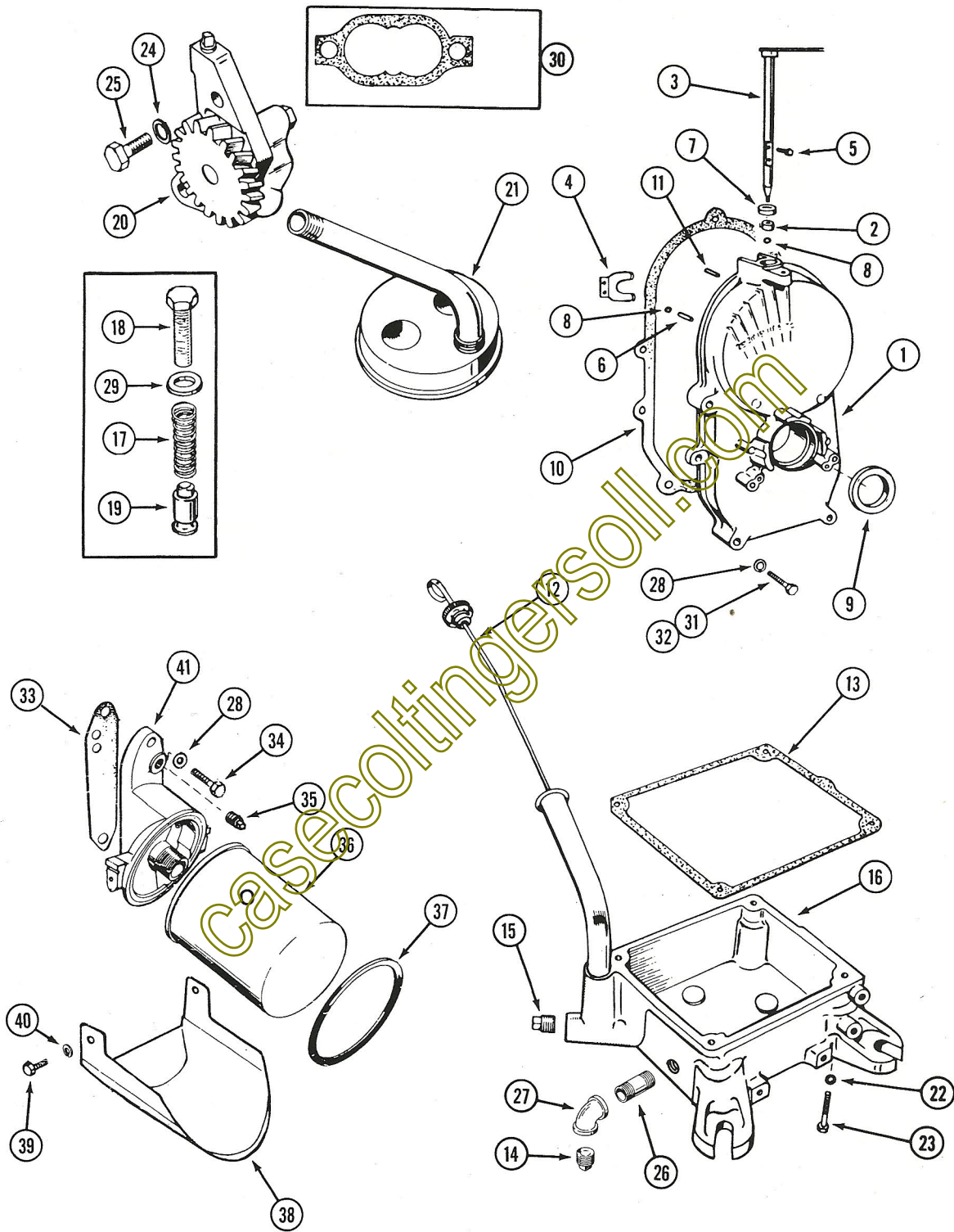
REF.	PART NO.	DESCRIPTION	REQ'D
1	C 25223	BLOCK ASSEMBLY - cylinder, standard bore	1
2	41- 26	PLUG - camshaft, expansion	1
3	C 20256	SHIM - rear bearing plate (.005") (0.13 mm).	UAR
4	113- 208	BOLT - 3/8" x 1-1/4" N.C. hex	5
5	C 22618	BEARING - crankshaft, rear (standard)	1
6	C 20267	WASHER - thrust, crankshaft bearing	2
7	C 20268	GASKET - bearing plate	1
8	C 20269	PLATE - bearing (does not include bearings)	1
9	C 20270	BEARING - camshaft 3/4" (service part is 5/16" wide)	2
10	C 20271	SEAL - bearing plate	1
11	C 20272	PIN - main bearing stop	4
12	192- 21	LOCK WASHER - 3/8" bearing plate	5
13	C 24946	TUBE - oil, crankcase	1
14	C 20287	INSERT - valve seat, intake	2
15	C 29974	INSERT - valve seat, exhaust	2
16	C 20292	GUIDE - valve	4
17	C 20295	BEARING - crankshaft front (standard)	1
18	C 20302	GASKET - valve guide, intake	2
19	C 24947	BLOCK ASSEMBLY - short (446) (includes: cylinder and crankcase, all bearings, crankshaft, camshaft, timing gear, governor gear case, connecting rods, pistons, piston rings, valves, oil pump and breather tube)	1
19	C 25777	BLOCK ASSEMBLY - short (448) (includes: cylinder and crankcase, all bearings, crankshaft, camshaft, timing gear, governor gear case, connecting rods, pistons, piston rings, valves, oil pump and breather tube)	1
20	C 20243	SPRING - breather valve	1
21	C 20244	VALVE - breather	1
22	C 20245	BAFFLE - breather	1
23	195- 2010	WASHER - 1/4"	1
24	C 20247	WASHER - 1/4" copper	2
25	C 20248	WASHER - 5/16"	18
26	C 20250	COVER - valve	1
27	C 24948	COVER - valve (with breather port)	1
28	C 20251	GASKET - valve cover	3
29	26- 532	BOLT - head, 5/16" - 18 x 2"	6
30	26- 526	BOLT - head, 5/16" - 18 x 1-5/8"	12
31	C 20574	WASHER - copper 3/8"	2
32	C 26201	GASKET - cylinder head	2
33	C 24949	HEAD - L.H. No. 2	1
34	C 24950	HEAD - R.H. No. 1	1
36	C 22619	BEARING - crankshaft, rear (.002" undersize) (0.05 mm)	1
36	C 22620	BEARING - crankshaft, rear (.010" undersize) (0.25 mm)	1
36	C 22621	BEARING - crankshaft, rear (.020" undersize) (0.51 mm)	1
36	C 22622	BEARING - crankshaft, rear (.030" undersize) (0.76 mm)	1
38	113- 132	BOLT - valve cover 1/4" x 1-3/4" hex	2
39	C 20517	RETAINER - valve spring (rotator service part for 446)	4
40	C 20276	TAPPET - valve (standard)	4
40	C 20470	TAPPET - valve (.001" oversize) (0.025 mm)	4



ENGINE BLOCK AND ATTACHING PARTS

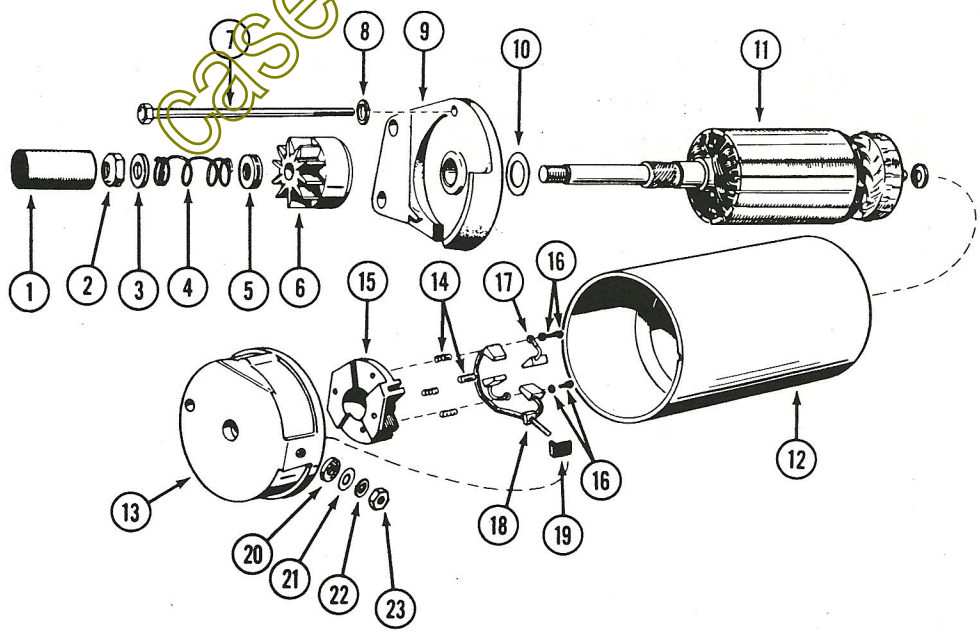
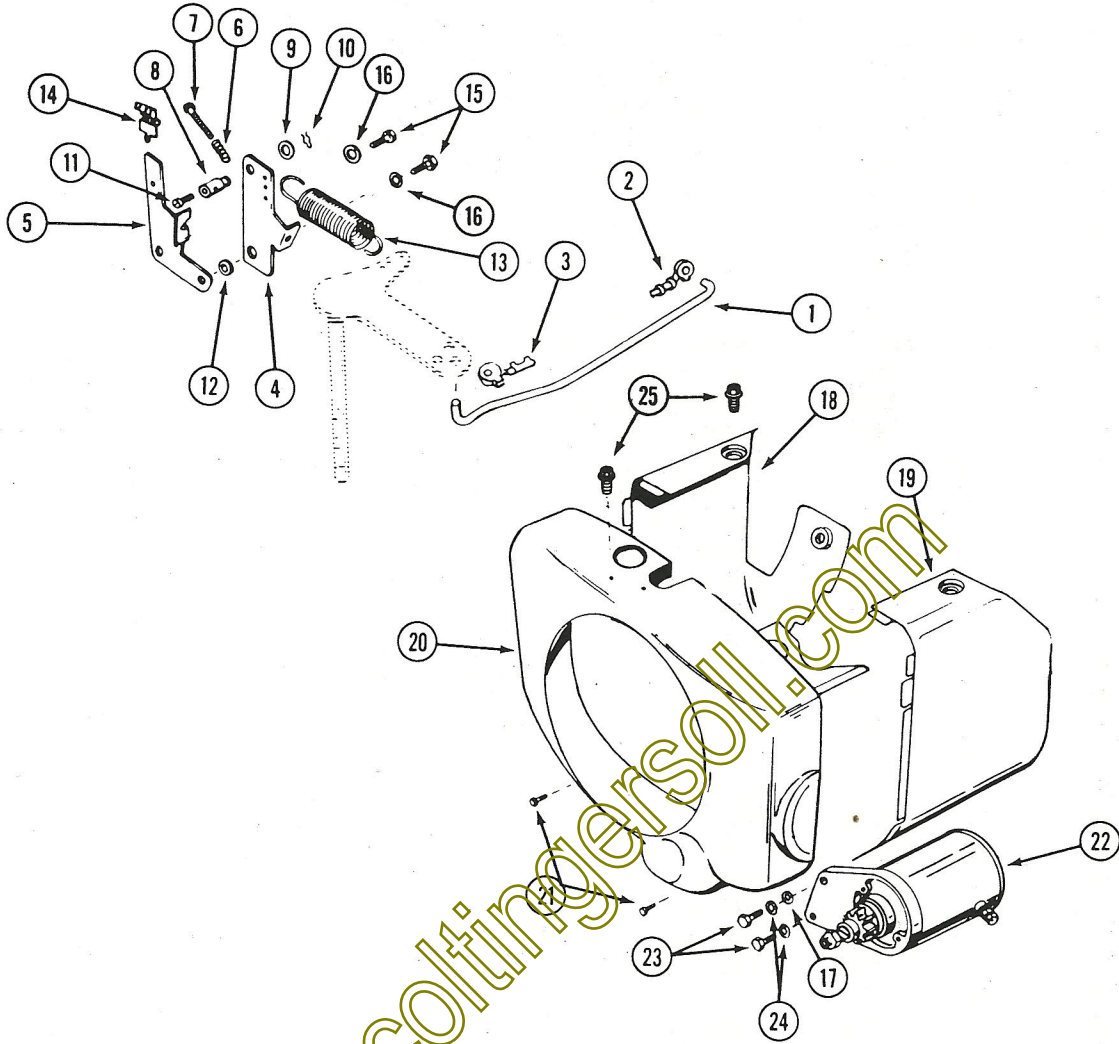
REF.	PART NO.	DESCRIPTION	REQ'D
40	C 20471	TAPPET - valve (.002" oversize) (0.05 mm).....	4
40	C 20277	TAPPET - valve (.005" oversize) (0.13 mm).....	4
41	C 26145	VALVE - intake.....	2
42	C 26146	VALVE - exhaust.....	2
43	C 20283	INSERT - valve seat, exhaust (.002" oversize) (0.05 mm).....	2
43	C 29976	INSERT - valve seat, exhaust (.005" oversize) (0.13 mm).....	2
43	C 20285	INSERT - valve seat, exhaust (.010" oversize) (0.25 mm).....	2
43	C 29978	INSERT - valve seat, exhaust (.025" oversize) (0.64 mm).....	2
44	C 20288	INSERT - valve seat, intake (.002" oversize) (0.05 mm).....	2
44	C 20289	INSERT - valve seat, intake (.005" oversize) (0.13 mm).....	2
44	C 20290	INSERT - valve seat, intake (.010" oversize) (0.25 mm).....	2
44	C 20291	INSERT - valve seat, intake (.025" oversize) (0.64 mm).....	2
45	C 20412	TUBE - fuel pump vacuum.....	1
46	C 20293	SPRING - valve.....	4
47	C 20294	LOCK - valve and spring.....	8
48	C 20296	BEARING - crankshaft, front (.002" undersize) (0.05 mm).....	1
48	C 20297	BEARING - crankshaft, front (.010" undersize) (0.25 mm).....	1
48	C 20298	BEARING - crankshaft, front (.020" undersize) (0.51 mm).....	1
48	C 20299	BEARING - crankshaft, front (.030" undersize) (0.76 mm).....	1
49	113- 204	BOLT - 3/8" x 1/2" N.C. hex.....	2
	C 28721	KIT - gasket, engine.....	1
	C 25225	KIT - gasket, carbon removal (includes: valve cover gaskets, cylinder head gaskets, and intake manifold gaskets).....	1

casecoltingersoil.com



OIL SUMP, OIL PUMP AND GEAR COVER

REF.	PART NO.	DESCRIPTION	REQ'D
1	C 22631	COVER ASSEMBLY - gear	1
2	C 20305	BEARING - governor shaft	1
3	C 22632	SHAFT AND ARM ASSEMBLY - governor	1
4	C 20307	YOKE - governor shaft	1
5	182- 84	SCREW - yoke retaining	2
6	C 20309	PIN - governor, cup stop	1
7	C 20310	SEAL - oil, governor shaft	1
8	211- 5	BALL - governor shaft bearing	2
9	C 20312	SEAL - gear cover	1
10	C 20313	GASKET - gear cover	1
11	C 23320	PIN - gear cover 5/16" x 1-1/8"	2
12	C 24958	DIPSTICK - oil level indicator	1
13	C 29984	GASKET - oil pan	1
14	NSS	PLUG - oil sump, 1/2" square head (use 221-844)	1
15	221- 844	PLUG - oil sump, 1/2" socket head	1
16	C 22633	SUMP - oil	1
17	C 20320	SPRING - oil bypass	1
18	114- 200	BOLT - oil bypass 3/8" x 1" N.C. hex	1
19	C 20322	VALVE - oil bypass	1
20	C 29734	PUMP - oil	1
21	C 23321	INTAKE - oil pump (includes cup, screen and pipe)	1
22	192- 21	LOCK WASHER - 3/8"	4
23	113- 257	BOLT - 3/8" x 2-1/2" N.C. hex	4
24	192- 19	LOCK WASHER - 1/4"	2
25	113- 4	BOLT - 1/4" x 1" N.C. hex	2
26	221- 1190	NIPPLE - oil drain	1
27	221- 1377	ELBOW - oil drain	1
28	C 20331	WASHER - 5/16" copper	7
29	C 20574	WASHER - 3/8" copper	1
30	C 20325	KIT - gasket, oil pump	1
31	113- 120	BOLT - 5/16" x 1-3/4"	4
32	26- 544	BOLT - 5/16" x 2-3/4"	1
33	C 20330	GASKET - oil filter adapter (448)	1
34	113- 103	SCREW - 5/16" - 18 x 1" (448)	2
35	221- 1849	PLUG - pipe (448)	1
36	C 26191	FILTER - oil (448)	1
37	C 20577	SEAL - oil filter (448)	1
38	C 25389	DRAIN - oil filter (448)	1
39	182- 525	SCREW - No. 10 - 32 x 3/8" (448)	2
40	192- 18	WASHER - No. 10 (448)	2
41	C 20565	ADAPTER - oil filter (448)	1

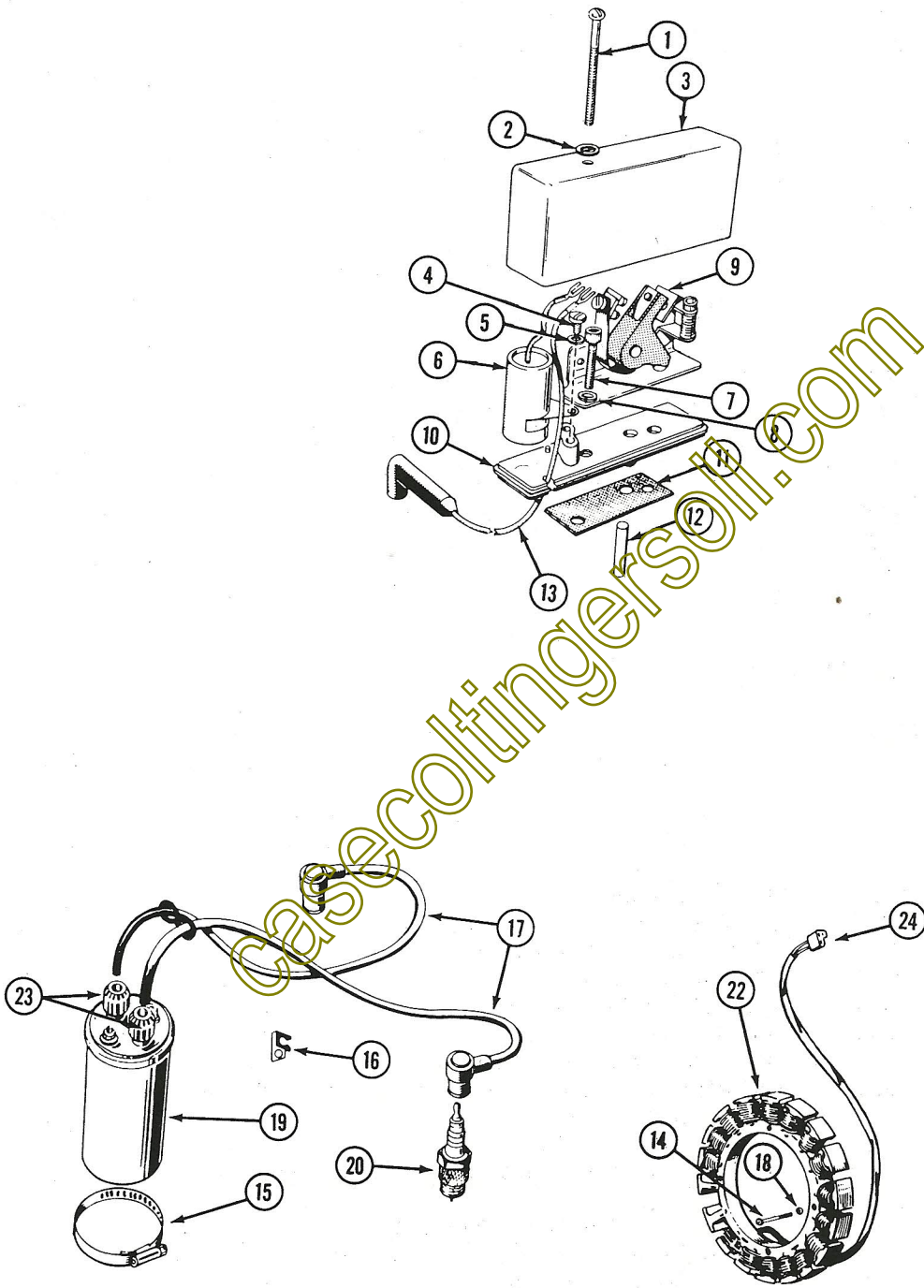


GOVERNOR AND BLOWER HOUSING

REF.	PART NO.	DESCRIPTION	REQ'D
1	C 20359	ROD - governor control	1
2	C 20360	RETAINER - governor control rod, carburetor end	1
3	C 20361	RETAINER - governor control rod, governor end	1
4	C 20369	ARM - governor control	1
5	C 28719	BRACKET - governor mounting	1
6	C 20371	SPRING - throttle lever adjust	1
7	182- 49	SCREW - No. 6 x 7/8" round head machine	1
8	C 20372	CLAMP - swivel, throttle	1
9	195- 14	WASHER - swivel clamp mounting	2
10	136- 2	PIN - cotter, swivel clamp mounting	1
11	169- 131	SCREW - No. 8 x 5/16", swivel clamp	1
12	C 20375	BUSHING - governor control	1
13	C 20376	SPRING - governor	1
14	NSS	RETAINER - throttle cable (use C29506, 187-1511)	1
15	121- 3	BOLT - 1/4" - 20 x 1/2"	2
17	195- 2027	WASHER - 5/16"	2
18	C 24951	BAFFLE - cylinder air, R.H.	1
19	C 24952	BAFFLE - cylinder air, L.H. (446) shown	1
19	C 25778	BAFFLE - cylinder air, L.H. (448)	1
20	C 25779	HOUSING - blower (448)	1
20	C 24953	HOUSING - blower (446) shown	1
21	163- 22	BOLT - 1/4" x 7/16" N.C. hex	7
22	C 29733	MOTOR - starting, 12 volt (see below)	1
23	113- 103	BOLT - 5/16" x 1" N.C. hex, starter motor	2
24	192- 20	LOCK WASHER - 5/16"	2
25	187- 1147	BOLT	4

C29733 STARTER MOTOR

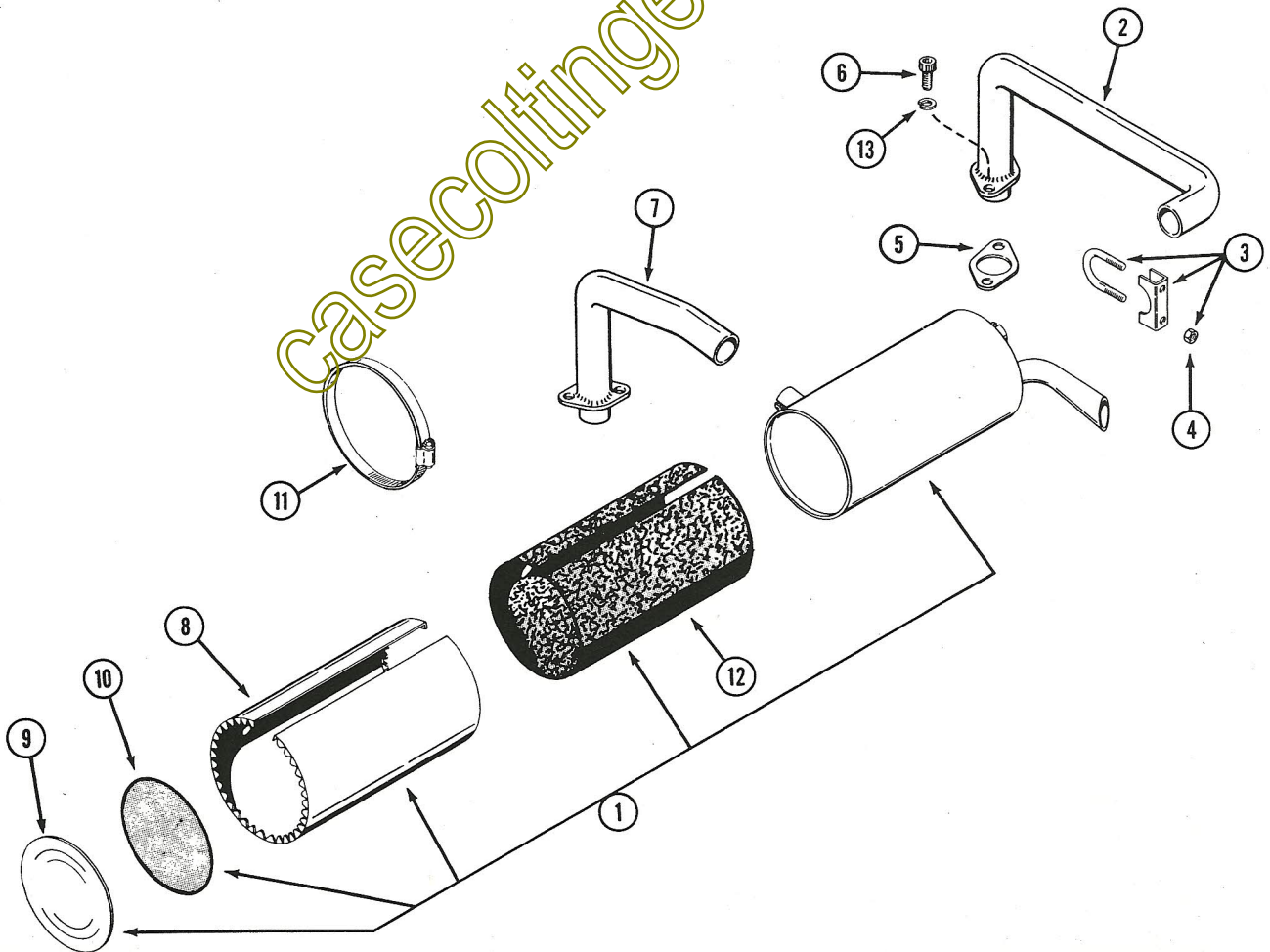
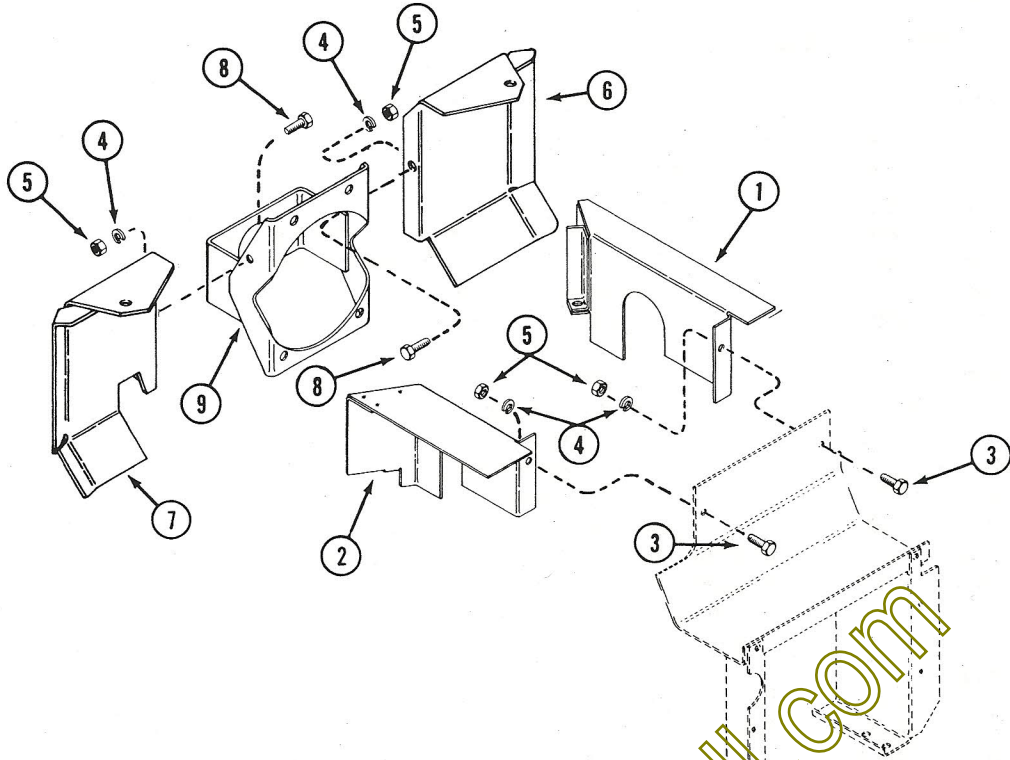
	C 26508	KIT - dust cover	1
1	NSS	COVER - dust	1
2	NSS	NUT - stop	1
3	NSS	WASHER - stop nut	1
4	NSS	SPRING - tension	1
5	NSS	SPACER - dust cover	1
6	C 20274	DRIVE ASSEMBLY	1
7	C 20279	BOLT - through	2
8	192- 19	LOCK WASHER - through bolt	2
9	C 20333	CAP ASSEMBLY - drive end	1
10	C 20334	WASHER - thrust, armature	1
11	C 20335	ARMATURE - starter motor	1
12	NSS	HOUSING - starter, order C29733 starter	1
13	C 20336	CAP ASSEMBLY - commutator (includes items 14 through 23)	1
14	NSS	SPRING - brush	4
15	NSS	HOLDER - brush	1
16	NSS	SCREW AND LOCK WASHER - brush mounting	2
17	NSS	BRUSH - ground	2
18	NSS	STUD AND BRUSH ASSEMBLY	2
19	NSS	BUSHING - insulating	1
20	NSS	WASHER - insulating	1
21	NSS	WASHER - stud mounting	1
22	NSS	LOCK WASHER - stud mounting	1
23	NSS	NUT - stud mounting	1
	C 20337	KIT - brush and spring (includes items 14, 17 and 18)	1
24	193- 57	LOCK WASHER - external tooth 1/4"	1
25	129- 101	NUT - 1/4" - 20	1



IGNITION AND CHARGING SYSTEMS

REF.	PART NO.	DESCRIPTION	REQ'D
	C 29990	BREAKER CONTACT ASSEMBLY	1
1	182- 520	SCREW - No. 10 - 24 x 1-1/2"	1
2	195- 513	WASHER - No. 10	1
3	C 23854	COVER - breaker box (includes items 1 and 2)	1
4	182- 545	SCREW - No. 8 - 32 x 5/16" self-tapping	1
5	192- 16	LOCK WASHER - No. 8	1
6	C 29991	CONDENSER - ignition	1
7	165- 143	SCREW - 1/4" - 20 x 3/4"	2
8	192- 402	LOCK WASHER - 1/4"	2
9	C 29736	CONTACTS - breaker	1
10	C 25100	BASE - breaker box	1
11	C 20345	GASKET - breaker box	1
12	C 20347	PLUNGER - breaker box	1
13	C 29992	LEAD - breaker to coil negative	1
14	173- 210	SCREW - No. 10 x 1-3/8" round head, machine	3
15	214- 259	CLAMP - coil mounting	1
16	C 20344	RETAINER - spark plug cables	1
17	C 24955	CABLE - spark plug	2
18	192- 18	LOCK WASHER - No. 10	3
19	C 29752	COIL - ignition	1
20	C 25845	SPARK PLUG	2
22	C 24956	STATOR - alternator charging	1
23	C 25227	CAP - coil	2
24	C 25338	CONNECTOR - stator	1

casecoltingersoil.com



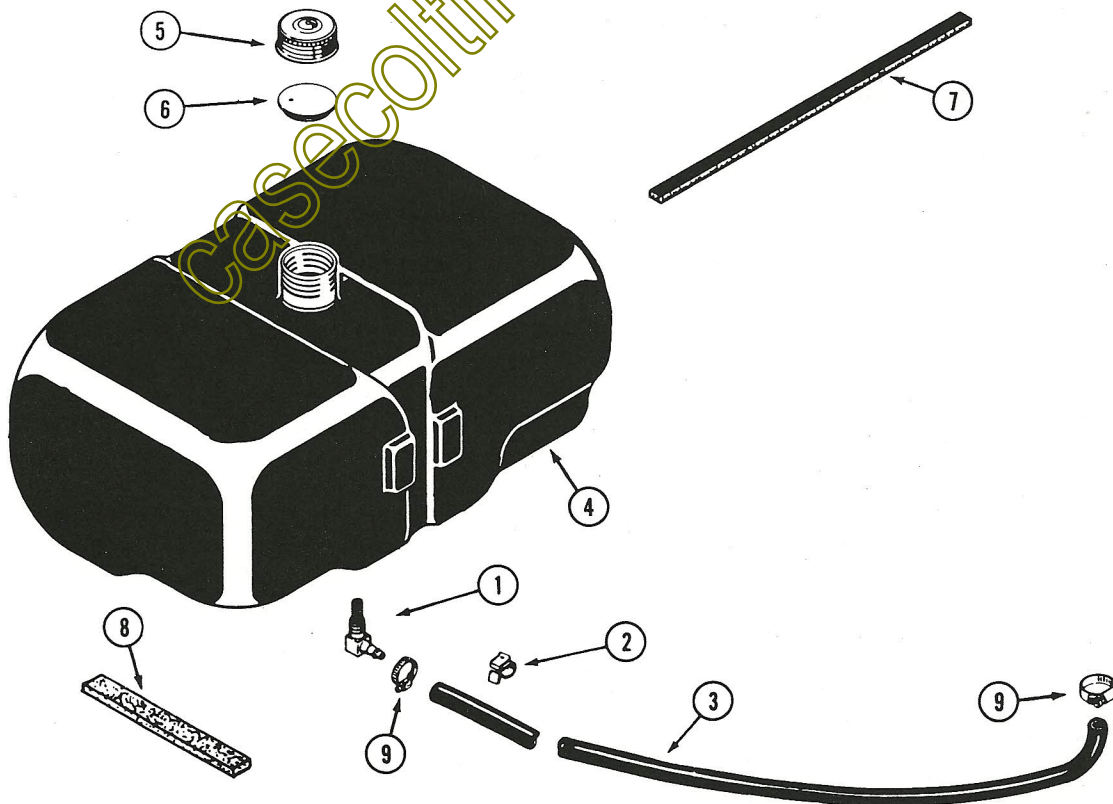
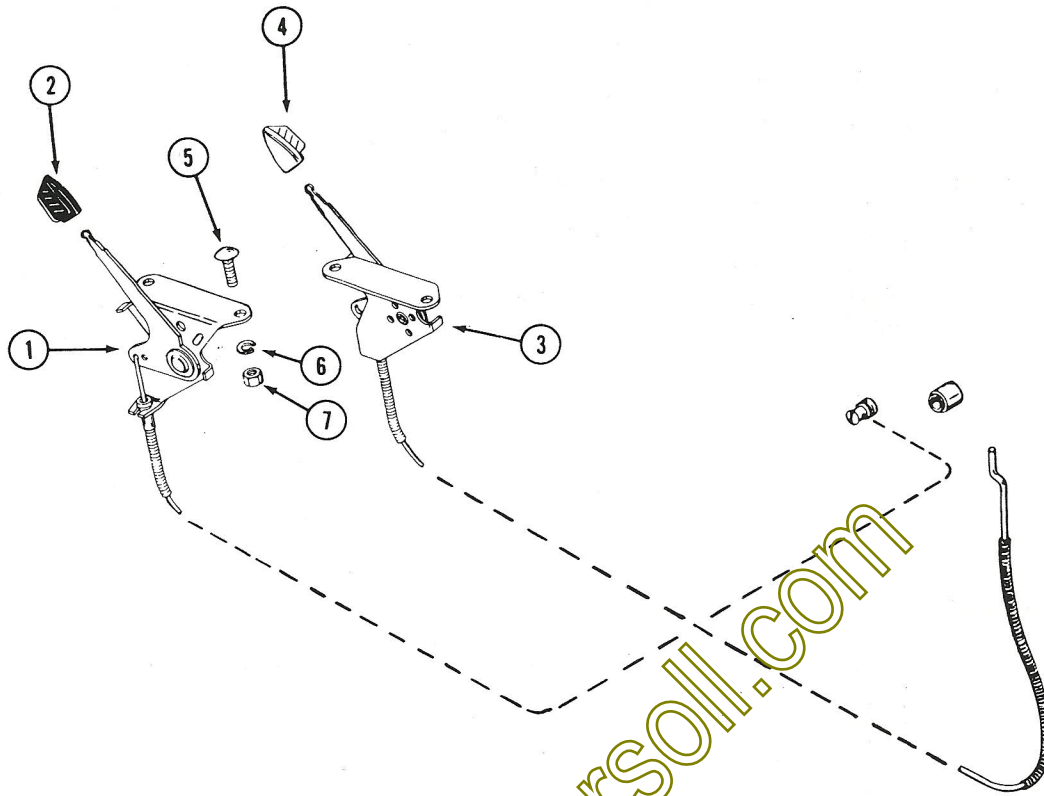
HEAT SHIELDS AND ENGINE BAFFLES

REF.	PART NO.	DESCRIPTION	REQ'D
1	C 25489	SHIELD - exhaust pipe L.H.	1
2	C 25490	SHIELD - exhaust pipe R.H.	1
3	113- 1	BOLT - 1/4" - 20 x 1/2" hex.	2
4	192- 19	LOCK WASHER - 1/4"	4
5	129- 101	NUT - 1/4" - 20 hex.	4
6	C 28033	BAFFLE - cylinder L.H.	1
7	C 28034	BAFFLE - cylinder R.H.	1
8	187- 1036	SCREW - self-tapping.	2
9	C 26255	SUPPORT - pump mounting.	1

EXHAUST SYSTEM

1	C 24703	MUFFLER ASSEMBLY - exhaust (includes items 8, 9, 10 and 12).....	1
2	C 25071	PIPE - engine exhaust L.H.	1
3	C 28968	CLAMP ASSEMBLY - muffler.	2
4	129- 102	NUT - 5/16" N.C. hex.	1
5	C 26207	GASKET - exhaust.	2
6	61- 512	BOLT - 5/16" x 5/8" socket head.	4
7	C 25073	PIPE - engine exhaust R.H.	1
8	C 24296	WRAPPER - muffler.	1
9	C 23581	COVER - muffler end.	1
10	C 23580	INSULATION - muffler end.	1
11	214- 272	CLAMP - wrapper mounting.	3
12	C 23686	INSULATION - muffler.	1
13	192- 404	LOCK WASHER - 5/16"	4

casecentral.com



CHOKE AND THROTTLE

REF.	PART NO.	DESCRIPTION	REQ'D
1	C 25603	CONTROL - throttle	1
2	NSS	HANDLE - throttle control (use C30073).....	1
3	C 25604	CONTROL - choke	1
4	NSS	HANDLE - choke control (use C30074).....	1
5	111- 5	BOLT - No. 10 - 24 x 1/2" N.C. round head, square neck	2
6	192- 18	LOCK WASHER - No. 10	2
7	129- 17	NUT - No. 10 - 24	2

FUEL SYSTEM

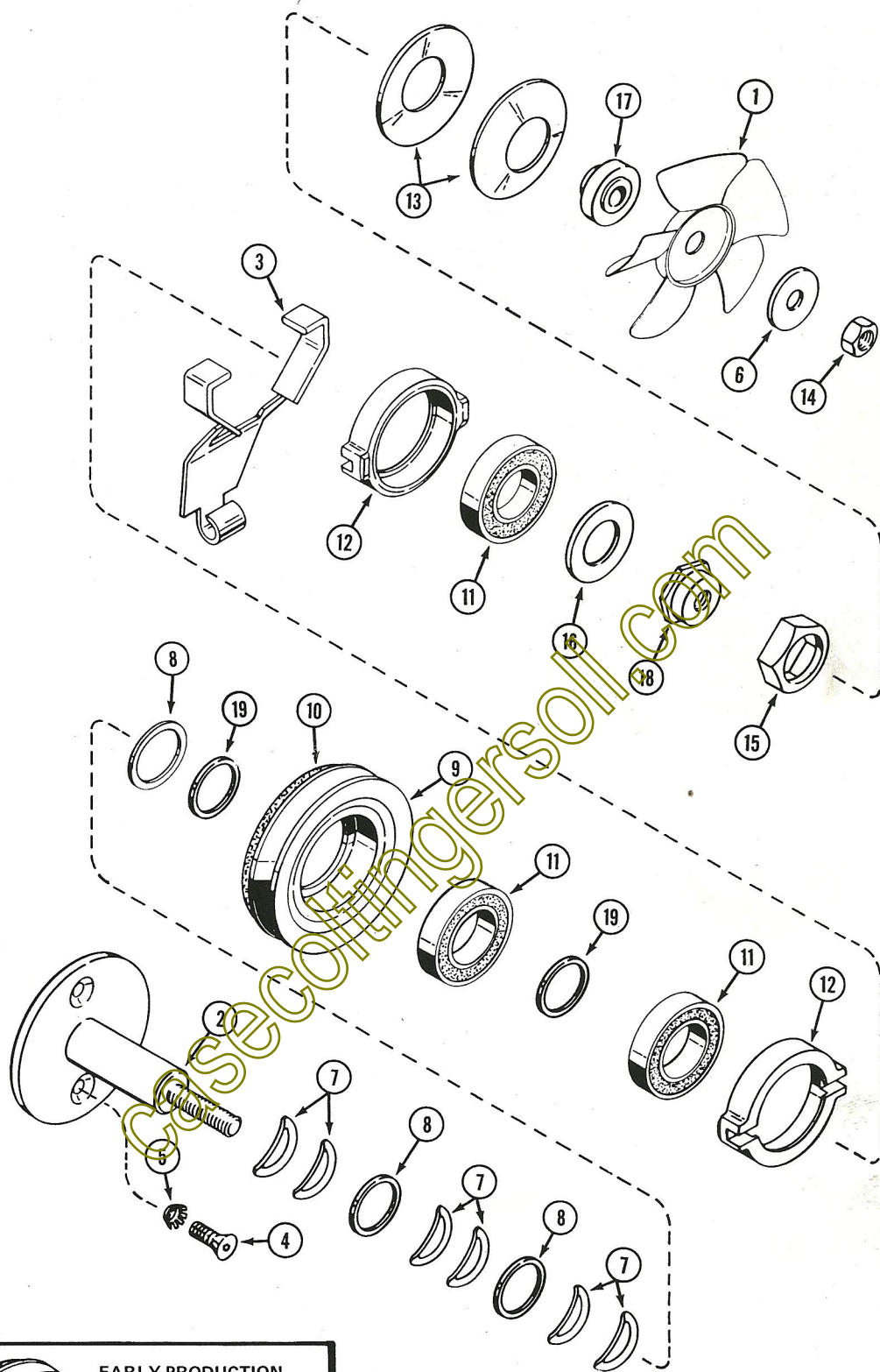
1	C 10657	ELBOW ASSEMBLY - fuel tank	1
2	A 62079	RETAINER - fuel line (optional).....	2
3	NSS	HOSE - fuel line 48" (1220 mm) use C28375 cut to length)	1
4	NSS	TANK - fuel (use C28935, C28940, (2) 214-274)	1
5	C 11529	CAP - fuel tank (includes insert)	1
6	C 11545	INSERT - fuel cap	1
7	C 23527	LINER - tank.....	1
8	C 14690	CUSHION - fuel tank.....	2
9	214- 274	CLAMP - hose 1/2"	2

casecoltingersoil.com

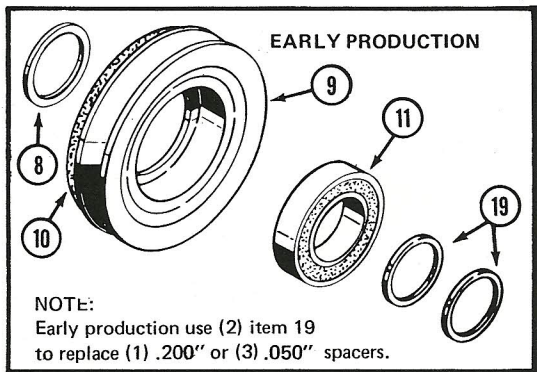
PTO CLUTCH LINKAGE

REF.	PART NO.	DESCRIPTION	REQ'D
1	C 28237	KNOB - lever, PTO	1
2	195- 533	WASHER - 1/2"	1
3	C 24872	ARM ASSEMBLY - PTO.	1
4	353- 462	BUSHING - lever, control tower	1
5	C 20093	BUSHING - special	1
6	138- 96	PIN - roll 3/16" x 1"	1
7	C 20053	BUSHING - nylon	2
8	113- 207	BOLT - 3/8" x 1" N.C. hex.	2
9	C 25013	LEVER - PTO engaging.	1
10	132- 310	PIN - cotter 1/8" x 1"	2
11	C 14906	WASHER - nylon 3/8"	2
12	C 19867	SPRING - clutch rod.	2
13	C 26266	BUSHING - special	1
14	C 20039	ROD - clutch	1
15	C 19767	GUIDE - clutch rod.	1
16	131- 178	NUT - lock 3/8" N.C. hex.	2
17	195- 104	WASHER - 3/8"	2
18	C 29409	LEVER - PTO engaging.	1
19	C 26264	BRACKET - support, PTO lever	1
20	C 26266	BUSHING - flange, nylon	1
21	138- 63	PIN - roll 1/8" x 1-1/4"	1
22	C 28288	WASHER - spring	1

casecoltingersoll.com



Use before S/N:
 446 - 14025431
 448 - 14028081

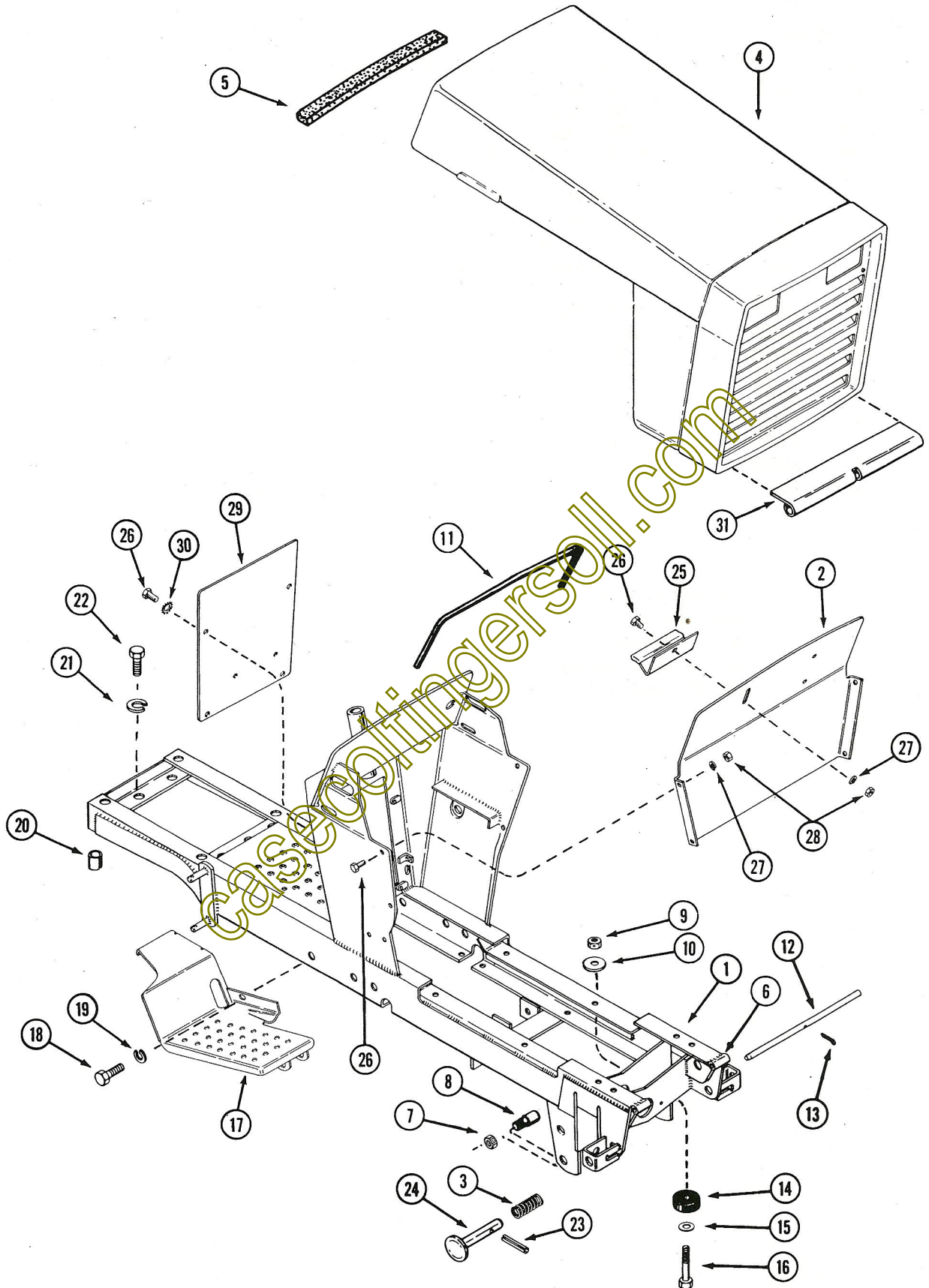


CLUTCH ASSEMBLY (PTO)

REF.	PART NO.	DESCRIPTION	REQ'D
	NSS	CLUTCH AND FAN ASSEMBLY - (use C27152)	1
1	C 16616	FAN - cooling	1
2	C 24741	HUB - clutch	1
3	NSS	ARM - engaging (use C27031 kit)	1
4	164- 41	SCREW - 5/16" - 18 x 1" flat head socket	2
5	193- 76	LOCK WASHER - 5/16" special external tooth	2
6	C 28677	WASHER - fan 17/32"	1
7	C 15515	WASHER - spring	6
8	C 15557	WASHER - spacer .050	3
9	C 26353	KIT - pulley and disc assembly (includes item 19)	1
10	C 23740	KIT - friction disc	1
11	C 29735	BEARING - ball	3
12	C 23033	CAM - clutch	2
13	C 16786	SPRING - clutch load	2
14	129- 125	NUT - 1/2" N.F.	1
15	C 23627	GUIDE - adjusting nut	1
16	C 23624	WASHER - spacer	1
17	C 23630	SPACER - hub	1
18	C 23625	NUT - adjust	1
19	C 29811*	SPACER - washer .100" (see note on opposite page for early production)	2

* Use S/N and after:
 446 - 14025431
 448 - 14028081
 On some late production, item 19 is replaced by
 (2) .050" spacers. Use item 19 for service.

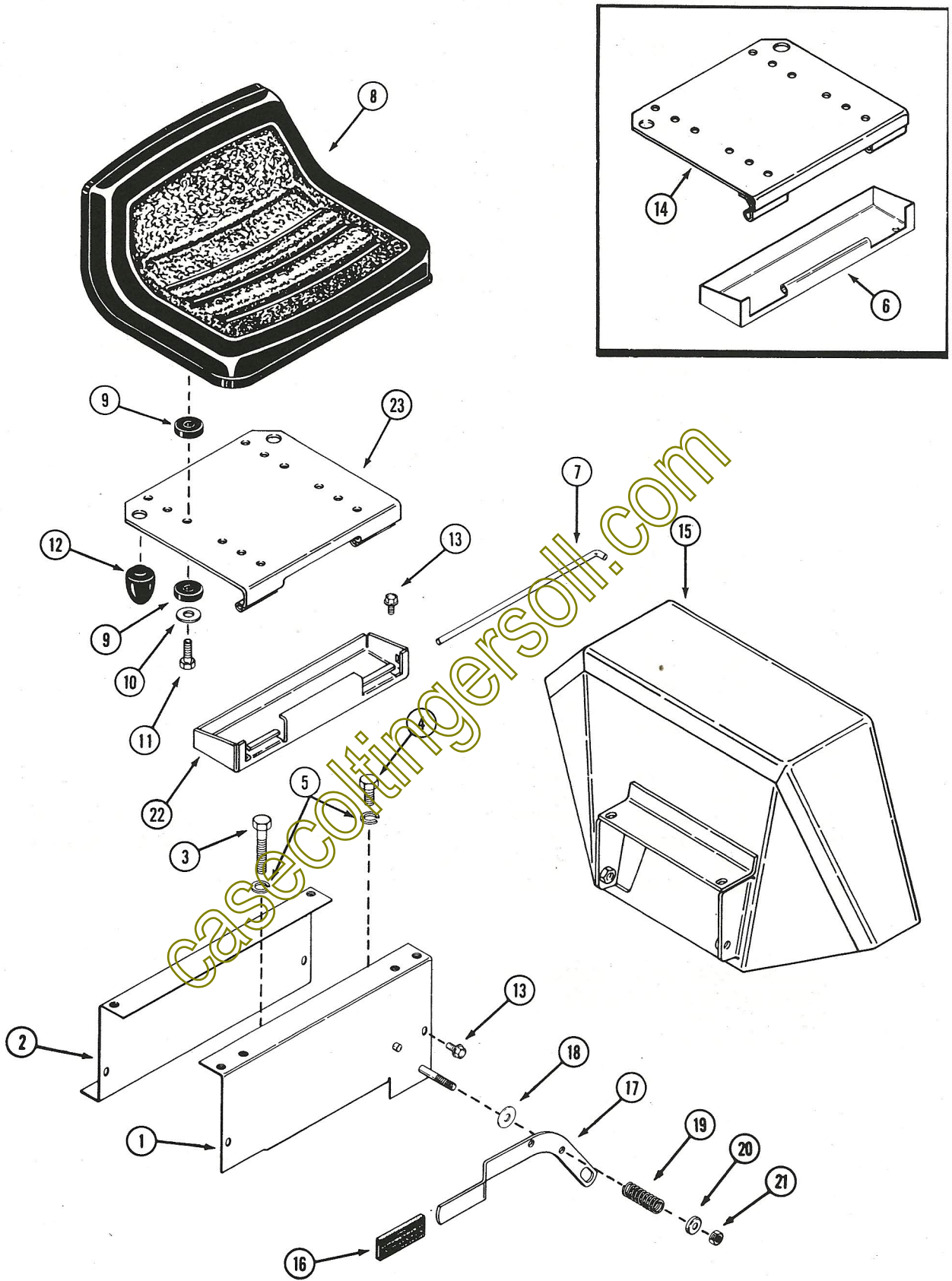
casecoltivatore.com



HOOD, FRAME AND GRILLE

REF.	PART NO.	DESCRIPTION	REQ'D
1	C 26941*	FRAME - main	1
2	C 24821	SHIELD - heat	1
3	C 24137	SPRING - latch	2
4	C 23573	HOOD AND GRILLE ASSEMBLY (includes item 31) 446 (shown)	1
4	C 25423	HOOD AND GRILLE ASSEMBLY - (includes item 31) 448	1
5	C 23527	LINER - hood	1
6	C 22023	HINGE - frame	2
7	131- 1318	NUT - lock 1/2" N.F.	2
8	C 27508	PIN - attachment	2
9	131- 1181	NUT - lock 3/8" N.C.	4
10	195- 525	WASHER - plain 3/8" x 13/16" O.D. (over engine foot pad)	4
11	C 18153	LINER - instrument panel	1
12	C 16362	ROD - hood hinge	1
13	132- 334	PIN - cotter 1/8" x 3/4"	1
14	C 15410	CUSHION - washer	4
15	195- 2029	WASHER - plain 3/8" x 1-1/4" O.D. (under cushion)	8
16	113- 219	BOLT - 3/8" x 2-1/4" N.C. hex	4
17	C 25317	PAD - foot L.H.	1
17	C 25318	PAD - foot R.H.	1
18	113- 113	BOLT - 5/16" x 7/8" N.C. hex	2
19	192- 20	LOCK WASHER - 5/16"	2
20	C 14729	SPACER - rear, frame	2
21	192- 23	LOCK WASHER - 1/2"	4
22	113- 424	BOLT - 1/2" N.C. hex, transaxle mounting	3
22	166- 86	BOLT - 1/2" x 1-1/4" flange	1
23	138- 2073	PIN - roll 3/16" x 1-1/4"	2
24	C 16373	PIN - latch	2
25	C 24820	RETAINER - battery hold down	1
26	113- 1	BOLT - 1/4" 20 x 1/2"	9
27	192- 19	LOCK WASHER - 1/4"	5
28	129- 101	NUT - 1/4" 20 hex	5
29	C 24822	COVER - access (use before S/N 9785993 - 446, S/N 9788982 - 448)	1
29	C 26506	COVER - access (use S/N 9785993 - 446, S/N 9788982 - 448 and after)	1
30	193- 57	LOCK WASHER - 1/4" external tooth	4
31	C 16361	HINGE - hood	1

*also use C26266, C26265, C26264, 195-533
 138-63 and 132-310 before S/N:
 446 - 14011335
 448 - 14013531

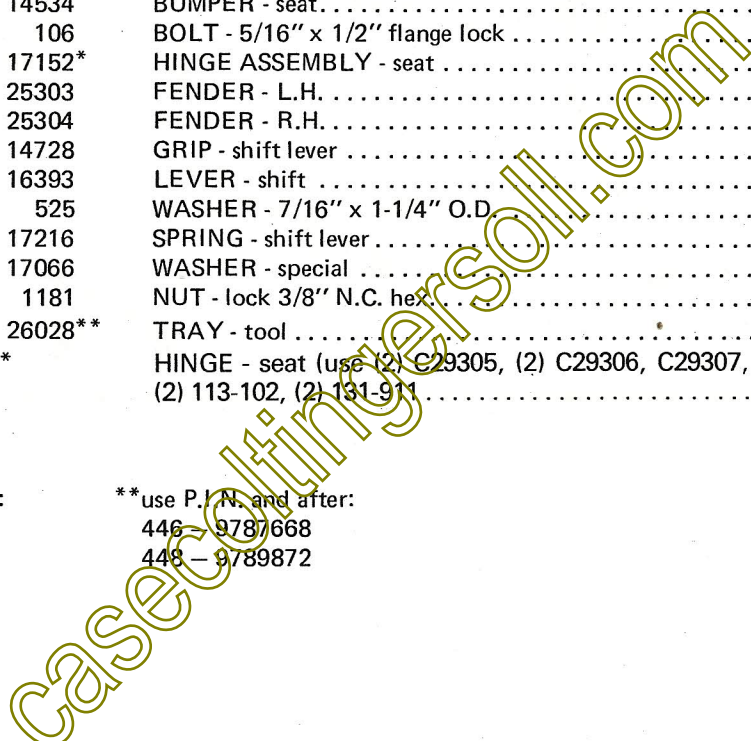


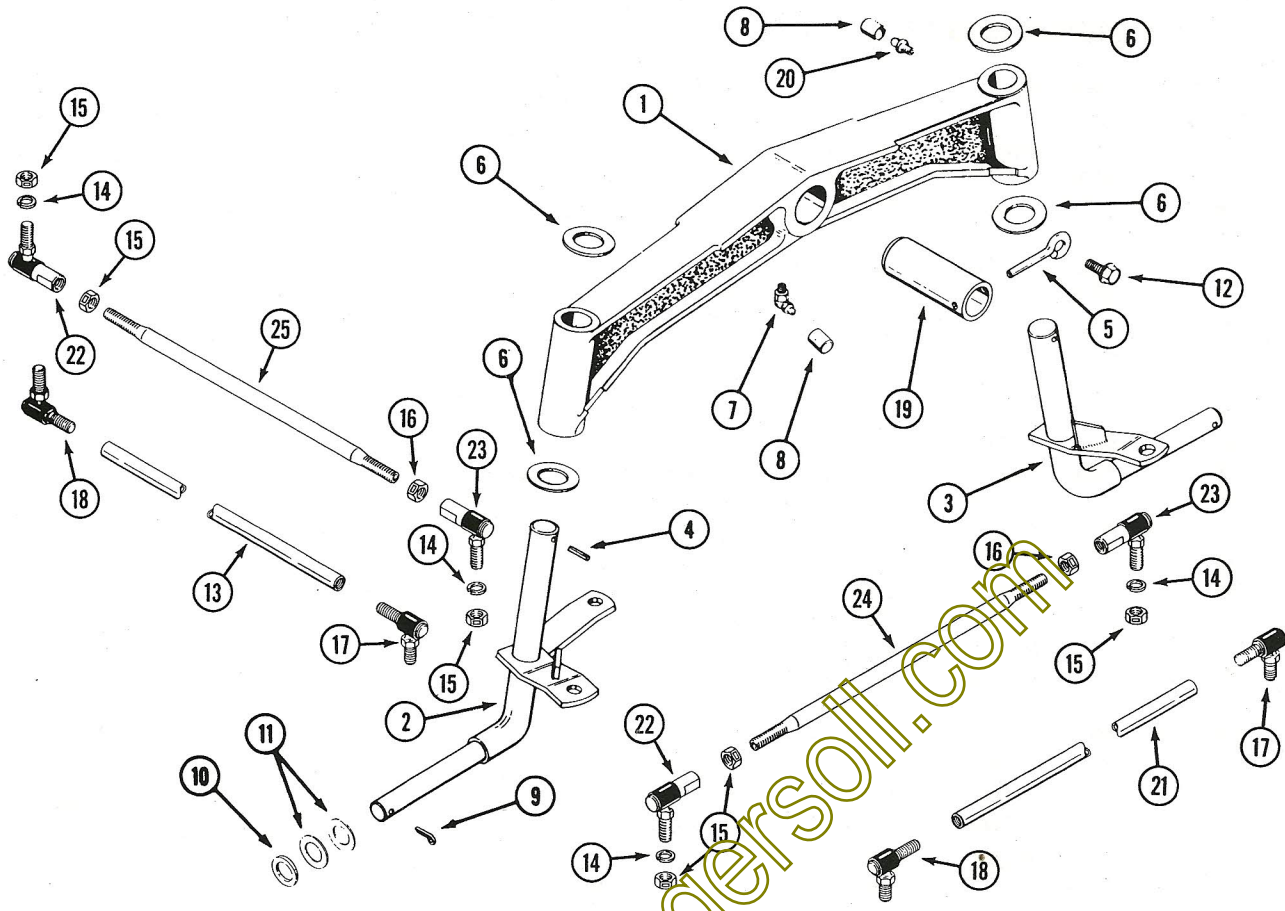
SEAT, FENDERS AND TOOL TRAY

REF.	PART NO.	DESCRIPTION	REQ'D
1	C 26066	SUPPORT - seat, front	1
2	NSS	SUPPORT - seat, rear (use C26695)	1
3	113- 441	BOLT - 1/2" x 2-1/4" N.C. hex	2
4	113- 424	BOLT - 1/2" x 1" N.C. hex	2
4	113- 118	BOLT - 5/16" x 5/8"	1
5	192- 20	LOCK WASHER - 5/16"	1
5	192- 23	LOCK WASHER - 1/2"	4
6	C 19417*	TRAY - tool	1
7	C 16429	PIN - seat hinge	1
8	C 30071	SEAT	1
9	C 15410	CUSHION - rubber	8
10	195- 2175	WASHER - 5/16" x 1-1/4" OD, zinc	4
11	113- 122	BOLT - 5/16" x 1-1/2"	4
12	C 14534	BUMPER - seat	2
13	121- 106	BOLT - 5/16" x 1/2" flange lock	10
14	C 17152*	HINGE ASSEMBLY - seat	1
15	C 25303	FENDER - L.H.	1
15	C 25304	FENDER - R.H.	1
16	C 14728	GRIP - shift lever	1
17	C 16393	LEVER - shift	1
18	195- 525	WASHER - 7/16" x 1-1/4" O.D.	1
19	C 17216	SPRING - shift lever	1
20	C 17066	WASHER - special	1
21	131- 1181	NUT - lock 3/8" N.C. hex	1
22	C 26028**	TRAY - tool	1
23	NSS**	HINGE - seat (use (2) C29305, (2) C29306, C29307, (2) 113-102, (2) 131-911)	1

*use before P.I.N.:
446 - 9787668
448 - 9789872

**use P.I.N. and after:
446 - 9787668
448 - 9789872



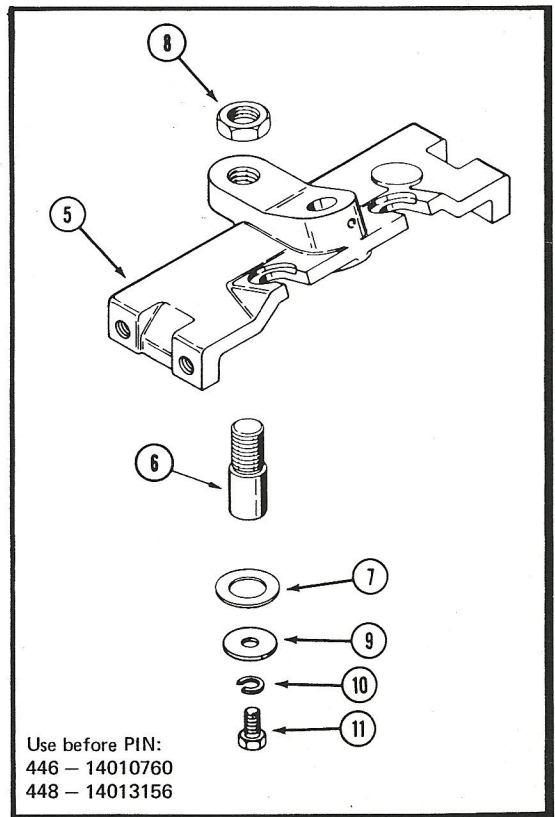
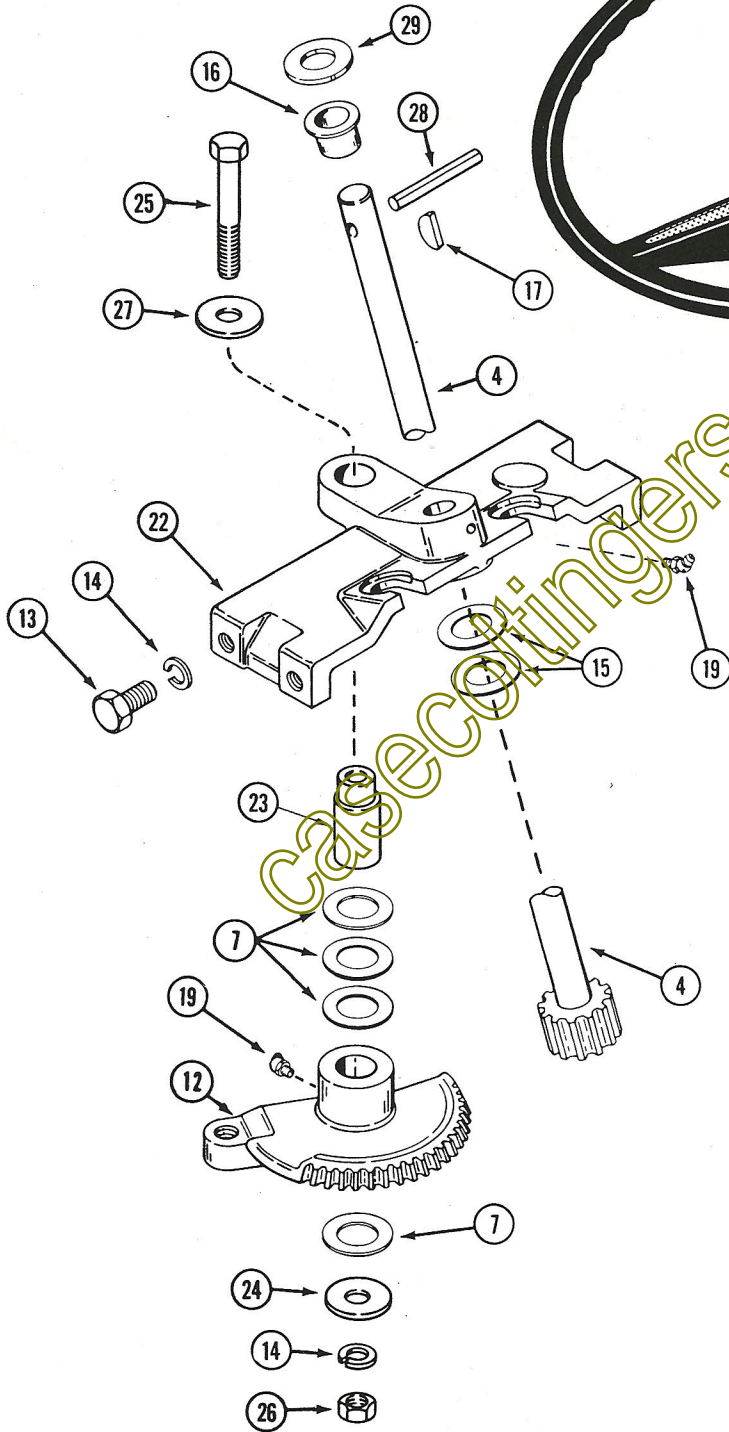
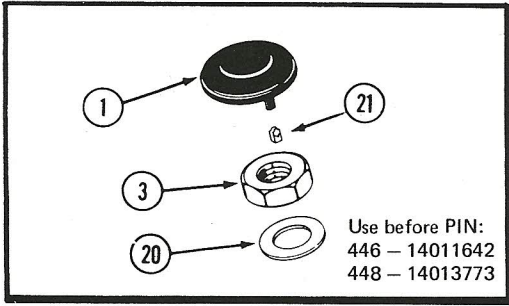


casecoltingersoil.com

FRONT AXLE

REF.	PART NO.	DESCRIPTION	REQ'D
1	C 18813	AXLE - front	1
2	NSS	SPINDLE - right hand (use C27600, (2) C27902)	1
3	NSS	SPINDLE - left hand (use C27599, (2) C27209)	1
4	138- 99	PIN - roll	2
5	C 22278	PIN - retaining, axle pivot.	1
6	C 13716	WASHER - thrust.	4
7	219- 404	FITTING - lubrication	3
8	C 13106	COVER - lubrication fitting.	3
9	132- 311	PIN - cotter 5/32" x 1-1/4"	2
10	C 12975	WASHER - wheel spindle	2
11	C 28226	WASHER - wheel spacer.	4
12	187- 1910	BOLT - 3/8" N.C. hex head	1
13	C 22992	KIT - drag link (use before S/N 9787865-446, 9790110-448)	1
14	192- 23	LOCK WASHER - 1/2" zinc.	3
15	129- 165	NUT - 1/2" N.F. R.H. thread, special.	6
16	129- 365	NUT - 1/2" N.F. L.H. thread, special.	2
17	C 21527	BALL JOINT - 1/2" L.H. (use before S/N 9787865 - 446, 9790110 - 448)	2
18	C 21526	BALL JOINT - 1/2" R.H. (use before S/N 9787865 - 446, 9790110 - 448)	2
19	C 22568	PIN - axle pivot	1
20	219- 17	FITTING - lubrication	2
21	C 21529	TIE ROD - (use before S/N 9787865 - 446, 9790110 - 448)	1
22	C 12102	BALLJOINT - 1/2" R.H. (use S/N 9787865 - 446, 9790110 - 448 and after)	2
23	C 13605	BALLJOINT - 1/2" L.H. (use S/N 9787865 - 446, 9790110 - 448 and after)	2
24	C 25855	TIE ROD - (use S/N 9787865 - 446, 9790110 - 448 and after)	1
25	C 25857	LINK - drag (use S/N 9787865 - 446, 9790110 - 448 and after)	1

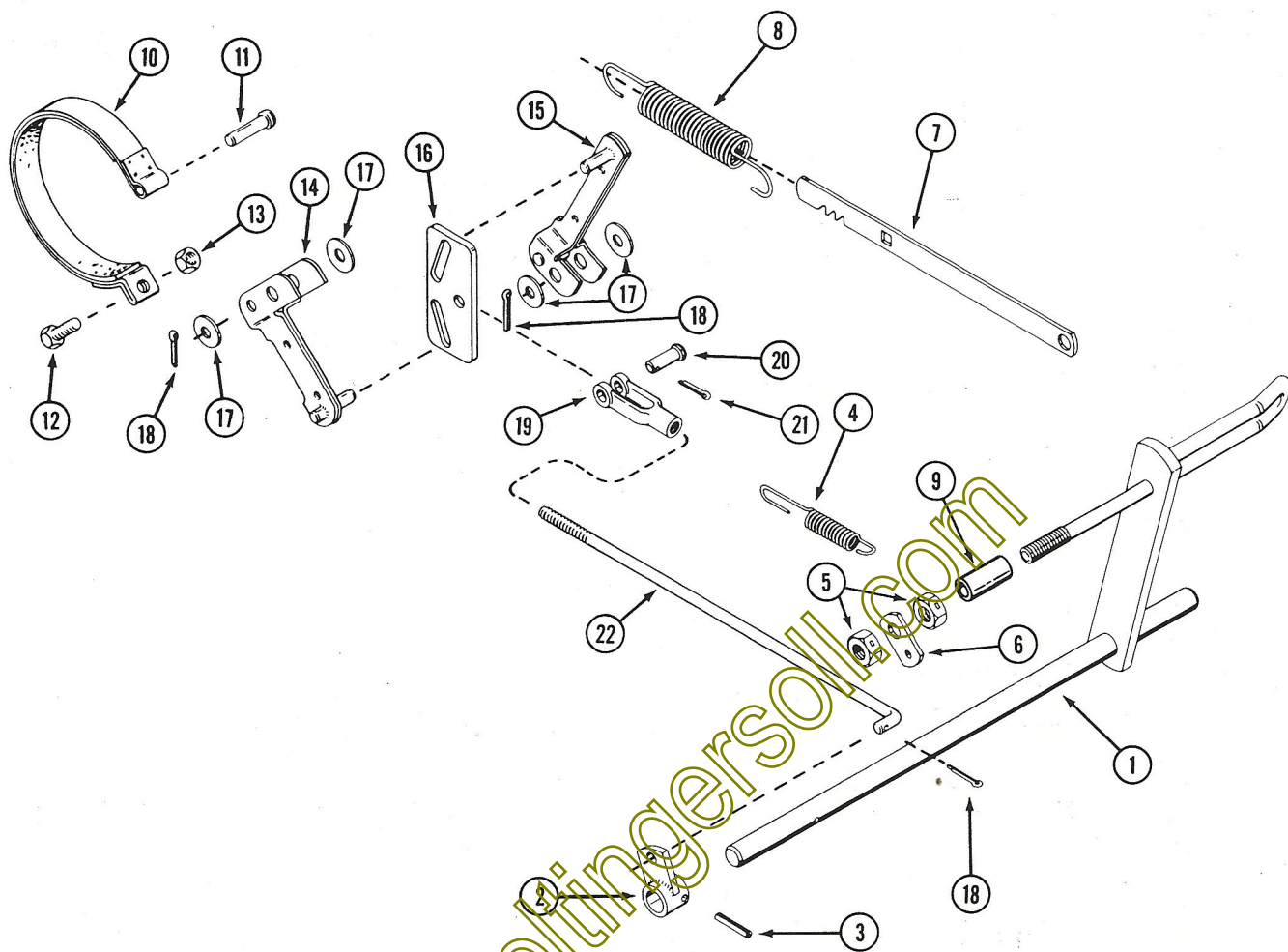
casecolting.com



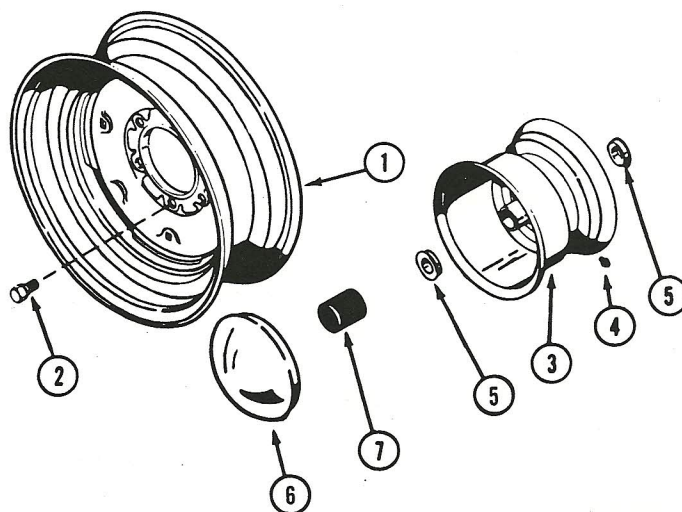
STEERING GEAR

REF.	PART NO.	DESCRIPTION	REQ'D
1	C 16945	CAP - steering wheel	1
2	C 18014*	WHEEL - steering	1
2	C 26325**	WHEEL - steering	1
3	131- 1113	NUT - lock 5/8"	1
4	NSS*	SHAFT - steering (use C26325, C26326, 138-143)	1
4	C 26326**	SHAFT - steering	1
5	NSS	SUPPORT - steering gear (use items 14, 22, 23, 24, 25, 26 and 27)	1
6	C 14200	PIN - pivot	1
7	C 14201	WASHER - shim	4
8	129- 148	NUT - 3/4", special	1
9	195- 2175	WASHER	1
10	192- 20	LOCK WASHER - 5/16" zinc	1
11	113- 102	BOLT - 5/16" x 3/4" N.C. hex	1
12	NSS	GEAR - steering (use C29040)	1
13	113- 206	BOLT - 3/8" x 3/4" N.C. hex	4
14	192- 21	LOCK WASHER - 3/8"	5
15	195- 2069	WASHER - 5/8" zinc	2
16	C 15096	BUSHING - flanged nylon	1
17	126- 16	KEY - Woodruff 3/16" x 3/4" (early production)	1
18	C 24098	TUBE - steering	1
19	219- 404	FITTING - lubrication, 45 degrees	2
20	C 12975	WASHER - 5/8"	2
21	C 18017	RETAINER - steering wheel	2
22	NSS	SUPPORT - steering gear (use C30019, C29044, C29812)	1
23	C 25787	PIN - pivot	1
24	195- 2029	WASHER - 7/16" x 1 25	1
25	113- 241	BOLT - 3/8" - 16 x 3" hex	1
26	129- 103	NUT - 3/8" - 16 hex	1
27	195- 137	WASHER - 1 1/8" O.D.	1
28	138- 143	PIN - roll 1/4" x 2-1/4"	1
29	195- 541	WASHER - 5/8"	UAR
	C 13106	COVER - lubrication fitting	2

*use before PIN: *use PIN and after:
 446 - 14011642 446 - 14011642
 448 - 14013773 448 - 14013773



casecolingerson.com

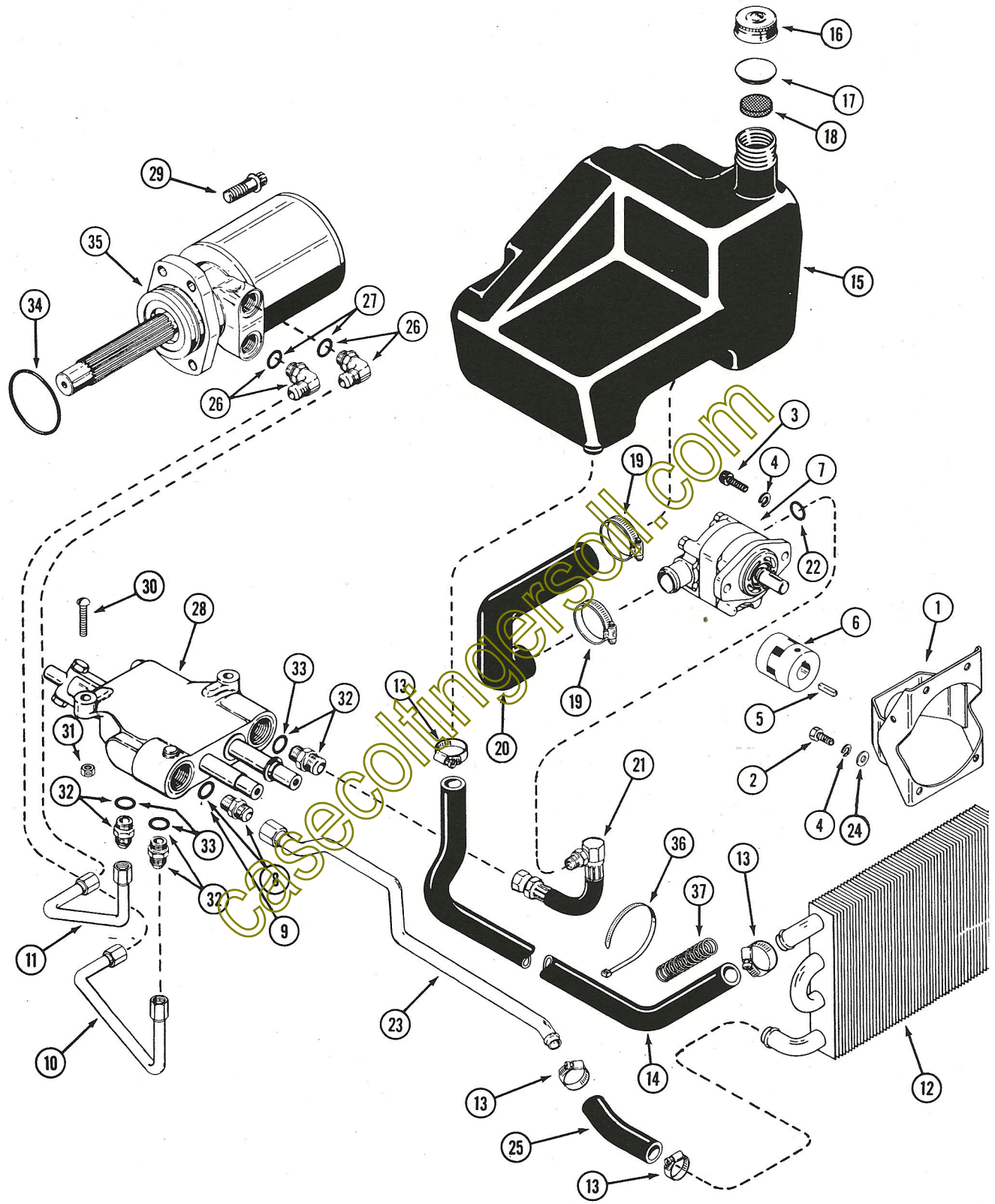


BRAKE ASSEMBLY

REF.	PART NO.	DESCRIPTION	REQ'D
1	C 22316	PEDAL - brake actuating	1
2	C 26381	ARM - brake pedal	1
3	138- 2073	PIN - roll 3/16" x 1-1/4"	1
4	C 25022	SPRING - return	1
5	131- 1308	NUT - lock, special	2
6	C 16164	TAB - lift	1
7	C 18147	LEVER - brake lock	1
8	C 27755	SPRING - brake lock	1
9	C 21857	SPACER - brake pedal	1
10	C 23909	BAND - brake	1
11	C 23910	PIN - clevis	1
12	113- 2262	BOLT - 3/8" - 16 x 1-1/2" hex	1
13	129- 143	NUT - 3/8" - 16 special	1
14	C 23899	ARM - brake	1
15	C 24761	ARM - brake (includes adjustment nut)	1
16	C 23883	GUIDE - brake actuator	1
17	195- 533	WASHER - .531 I.D.	4
18	132- 310	PIN - cotter 1/8" x 1"	3
19	C 28978	CLEVIS	1
20	141- 54	PIN - clevis	1
21	132- 321	PIN - cotter	1
22	C 25306	ROD - brake	1

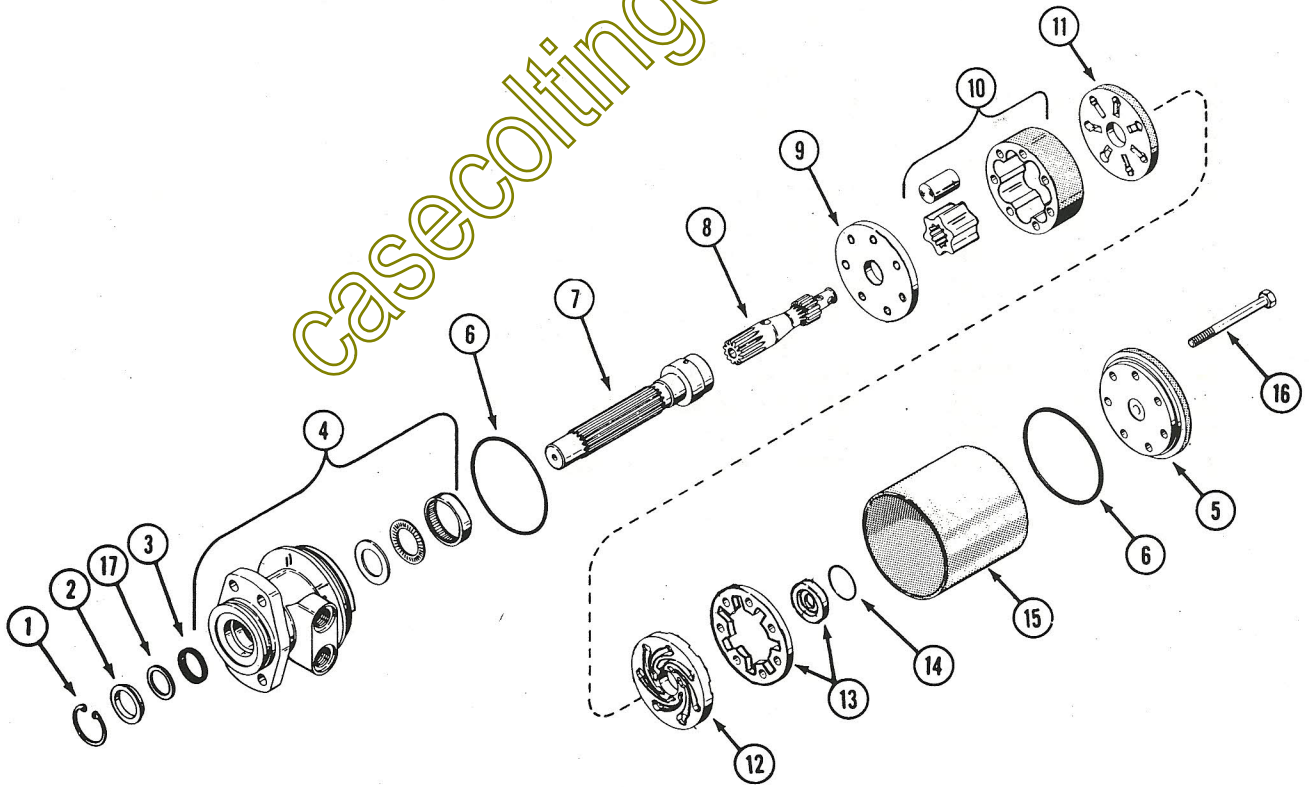
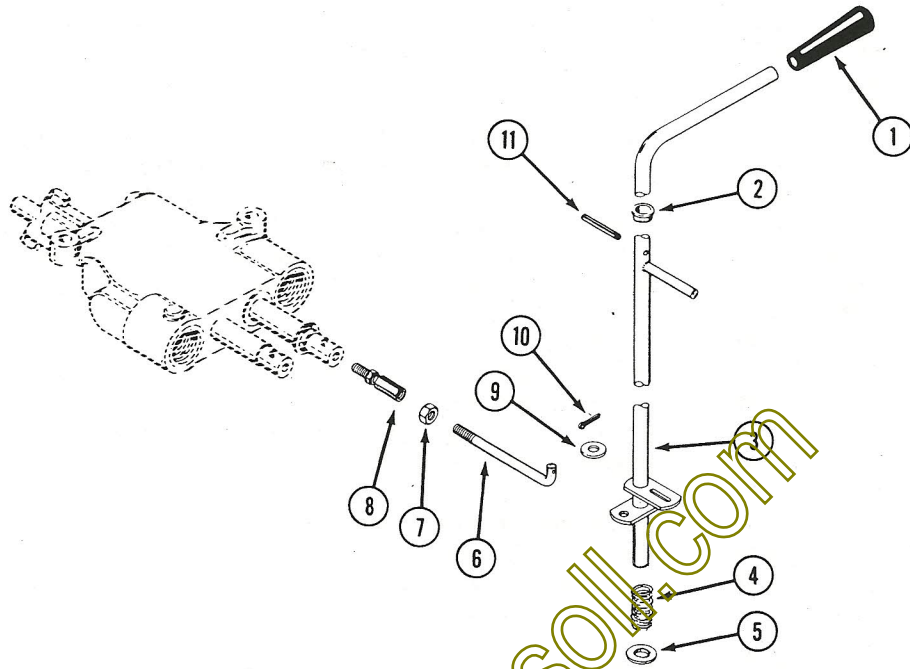
FRONT AND REAR WHEELS

1	C 24438	WHEEL - rear, 6 bolt (white)	2
2	C 27763	BOLT - rear wheel	12
3	C 24433	WHEEL - front (white) (includes bearings)	2
4	219- 403	FITTING - lubrication	2
5	C 12110	BEARING - wheel	2
6	C 28965	CAP - hub, front wheel (optional)	2
7	C 26021	CAP - plastic, front	2
	C 13106	COVER - lubrication fitting	2



HYDRAULIC SYSTEM

REF.	PART NO.	DESCRIPTION	REQ'D
1	C 26255	SUPPORT - pump mounting	1
2	113- 206	BOLT - 3/8" x 3/4" N.C. hex, support mounting	4
3	61- 616	SCREW - 3/8" x 1" N.C. hex, socket head (early production)	2
3	62- 616	SCREW - 3/8" - 24 x 1" N.F. thread (late production)	2
4	192- 21	LOCK WASHER - 3/8" zinc	6
5	C 28321	KEY - square 1/4" x 3/4" (6.35 x 19.5 mm) (engine shaft)	1
6	C 25209	COUPLING - pump, 9/16" shaft (see page 43 and 45)	1
6	C 18916	COUPLING - pump, 1/2" shaft (repairs page 43 and 45)	1
7	C 26278	PUMP - hydraulic 1/2" shaft (repairs page 43 and 45)	1
7	NSS	PUMP - hydraulic 9/16" shaft (repairs page 43 and 45) (use C26278, C17300)	1
8	218- 5065	FITTING - hydraulic 3/4" x 7/8" "O" ring	1
9	218- 5007	"O" RING - 7/8"	1
10	C 25333	TUBE - valve to lower motor port	1
11	C 25334	TUBE - valve to upper motor port	1
12	C 25784	EXCHANGER - heat (446) shown	1
12	C 25376	EXCHANGER - heat (448) (use before S/N 14028535)	1
12	C 26456	EXCHANGER - heat (448) (use S/N 14028535 and after)	1
13	214- 254	CLAMP - hose	4
14	C 25785	HOSE - rubber, tank to heat exchanger	1
15	C 24818	RESERVOIR - hydraulic oil	1
16	C 25237	CAP - reservoir (includes insert)	1
17	NSS	INSERT - reservoir cap	1
18	NSS	ELEMENT - insert	1
19	C 23326	CLAMP - hose	2
20	C 24827	HOSE - rubber, tank to pump	1
21	C 18797	HOSE - hydraulic, pump to valve	1
22	218- 5006	"O" RING - 1/2" (for C18797)	1
23	C 26182	TUBE - valve to heat exchanger (also req's item 25 before S/N 9787599 - 446, 9789840 - 448)	1
24	195- 104	WASHER - 3/8"	4
25	NSS	HOSE - rubber (use C25785 cut to length)	1
26	218- 5107	FITTING - motor port 90 degree elbow, "O" Ring	2
27	218- 5007	"O" RING - 5/8" (for 218-5107 fitting)	2
28	NSS	VALVE - hydraulic control, two spool (repairs page 49, 51, 53) (use C27217)	1
29	166- 86	SCREW - 1/2" x 1-1/4" N.C. flanged 12 point	4
30	182- 246	SCREW - 5/16" x 1-1/4" N.C. flat head machine	2
31	131- 351	NUT - lock 5/16" N.C. hex	2
32	218- 5062	FITTING - hydraulic valve 5/8" x 7/8" "O" Ring	3
33	218- 5007	"O" RING - 5/8" (for C18321)	3
34	C 28949	SEAL - motor to transmission	1
35	C 14655	MOTOR - hydraulic (repairs page 41)	1
36	C 22947	TIE - hose clamp	2
37	C 26900	SPRING - compression (448)	1



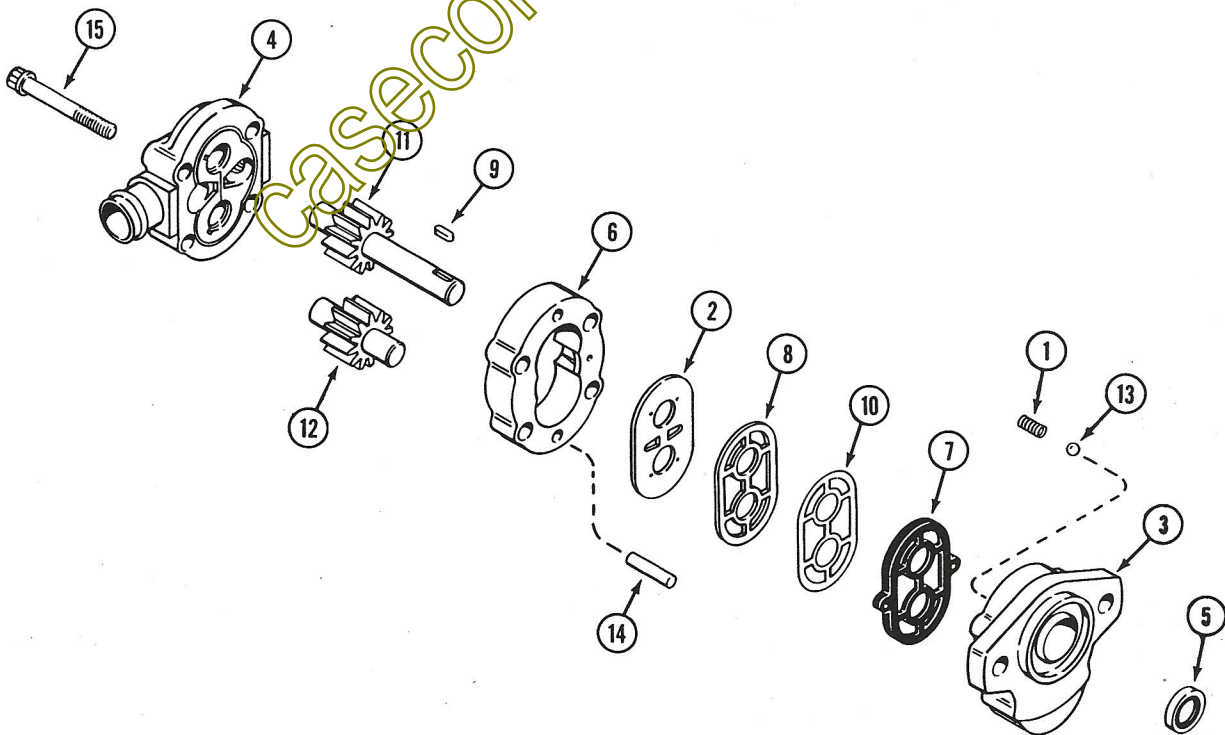
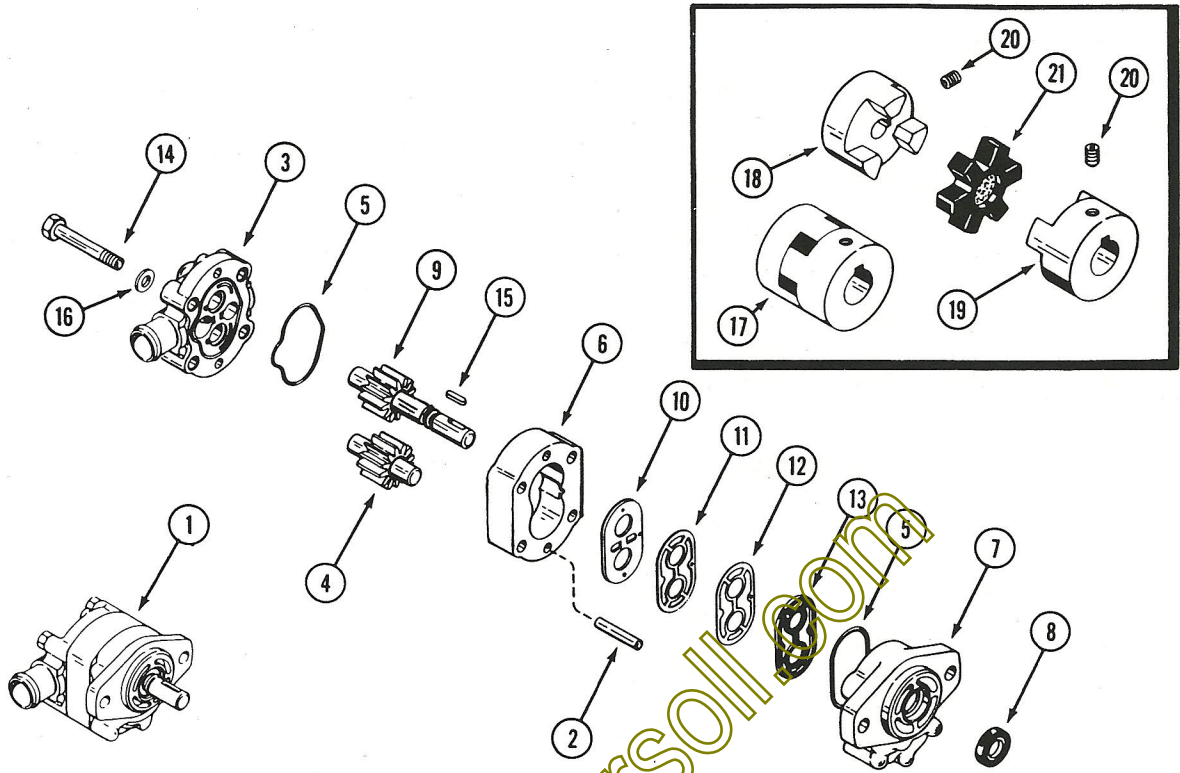
SPEED CONTROL

REF.	PART NO.	DESCRIPTION	REQ'D
1	C 28237	KNOB - speed control	1
2	C 27593	BUSHING - lever	1
3	NSS	LEVER - speed control (use C29407 and C28003)	1
4	C 27822	SPRING - compression	1
5	C 21518	WASHER - nylon	1
6	C 18742	ROD - control	1
7	129- 122	NUT - 5/16" N.F. hex, zinc	1
8	C 19025	JOINT - ball	1
9	195- 521	WASHER - 5/16"	1
10	132- 320	PIN - cotter 3/32" x 3/4"	1
11	138- 2072	PIN - roll 1/8" x 1-3/4"	1

HYDRAULIC DRIVE MOTOR

	C 14655	MOTOR - hydraulic	1
1	C 16516	RING - retaining	1
2	C 19040	SPACER -	1
3	C 25048	SEAL - oil	1
4	C 14827	HOUSING ASSEMBLY	1
5	C 14837	END CAP	1
6	C 18382	SEAL -	2
7	C 14828	SHAFT - coupling	1
8	C 14829	DRIVE LINK	1
9	C 14830	PLATE - wear	1
10	C 14831	ROTOR ASSEMBLY	1
	NSS	KIT - manifold (also use item 8 before motor code 86-75)	1
11	C 28703	PLATE - manifold	1
12	C 28874	MANIFOLD	1
13	C 28701	COMMUTATOR AND RING SET	1
14	C 19041	RING - sealing	1
15	C 14836	SLEEVE	1
16	C 14838	BOLT - 3/8" x 4-3/8" N.F. hex	7
17	C 19212	WASHER - .010" (0.25 mm)	1

casecentral.com



HYDRAULIC PUMP AND COUPLING (PARKER-HANNIFIN)

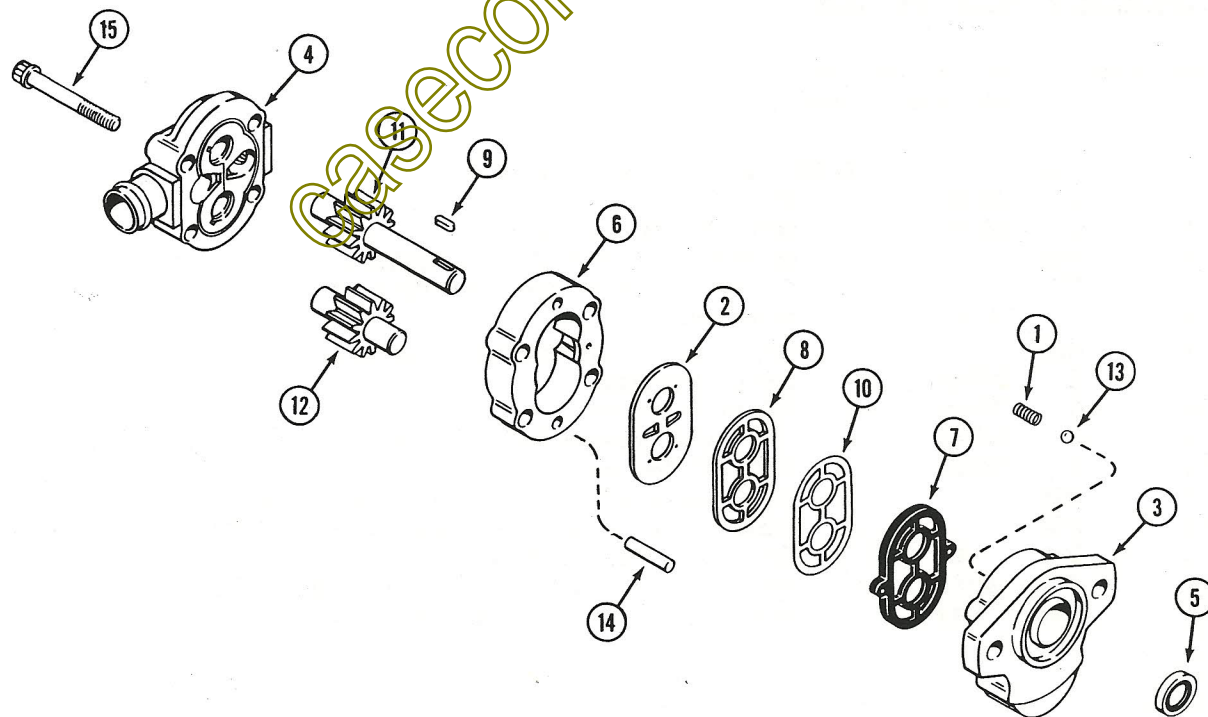
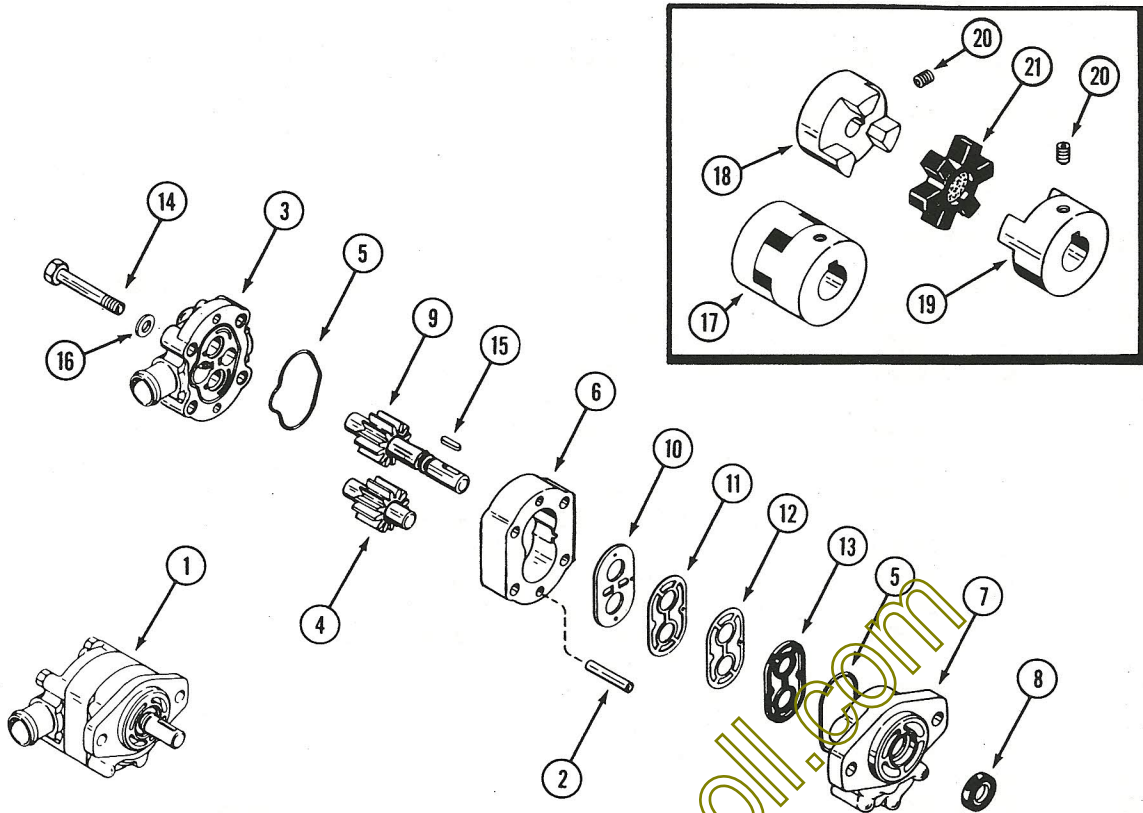
use before S/N: 446 - S/N 14011824
 448 - S/N 14013893

REF.	PART NO.	DESCRIPTION	REQ'D
1	NSS	PUMP - hyd. 9/16" (14.29 mm) shaft (use C26278 and C17300)	1
2	F 53109	PIN - dowel	2
3	C 24861	COVER - rear	1
4	C 15731	GEAR ASSEMBLY - driven.	1
5	C 15732	"O" RING - cover	2
6	C 15733	BODY - pump	1
7	C 15734	COVER - front	1
8	C 15735	SEAL - shaft	1
9	NSS	GEAR ASSEMBLY - drive (9/16" shaft)	1
	C 24862	SHAFT - drive (9/16" shaft)	1
	C 24863	GEAR - drive (9/16" shaft)	1
	C 24864	KEY - gear (9/16" shaft)	1
	C 24865	RING - retaining (9/16" shaft)	2
10	C 15737	PLATE - wear	1
11	C 15738	SHIELD - heat	1
12	C 15739	GASKET	1
13	C 15740	SEAL	1
14	113- 111	BOLT	4
15	C 28215	KEY - 3/16" (4.76 mm) square (for 9/16" shaft)	1
16	C 19115	WASHER	4
17	C 25209	COUPLING - pump (9/16" shaft)	1
18	NSS	HUB - (order item 17)	1
19	NSS	HUB - (order item 17)	1
20	83- 55	SCREW - set 5/16" x 5/16" NC socket head	2
21	C 15036	SPIDER	1

HYDRAULIC PUMP (CESSNA)

use before S/N: 446 - S/N 14011824
 448 - S/N 14013893

	NSS	PUMP - hyd. (9/16" shaft use C26278 and C17300)	1
1	C 28709	SPRING	2
2	C 28718	DIAPHRAGM - wear plate	1
3	NSS	COVER - front (9/16" shaft use C26278 and C17300)	1
4	NSS	COVER - rear (9/16" shaft use C26278 and C17300)	1
5	C 28711	SEAL - shaft	1
6	NSS	BODY - pump (9/16" shaft use C26278 and C17300)	1
7	C 28712	SEAL - diaphragm	1
8	C 28714	GASKET - back up	1
9	C 28215	KEY - 3/16" square x .609" (4.76 mm x 15.47 mm)	1
10	C 28713	GASKET - back up	1
11	NSS	GEAR - drive (9/16" shaft use C26278 and C17300)	1
12	NSS	GEAR - driven (9/16" shaft use C26278 and C17300)	1
13	211- 306	BALL - steel 7/32" (5.55 mm)	2
14	C 28715	PIN - dowel 1/4" x 1-1/4" (6.35 mm x 31.75 mm)	2
15	166- 32	BOLT - 5/16" - 18 x 2-1/2" 12 point flange	4



HYDRAULIC PUMP AND COUPLING (PARKER-HANNIFIN)

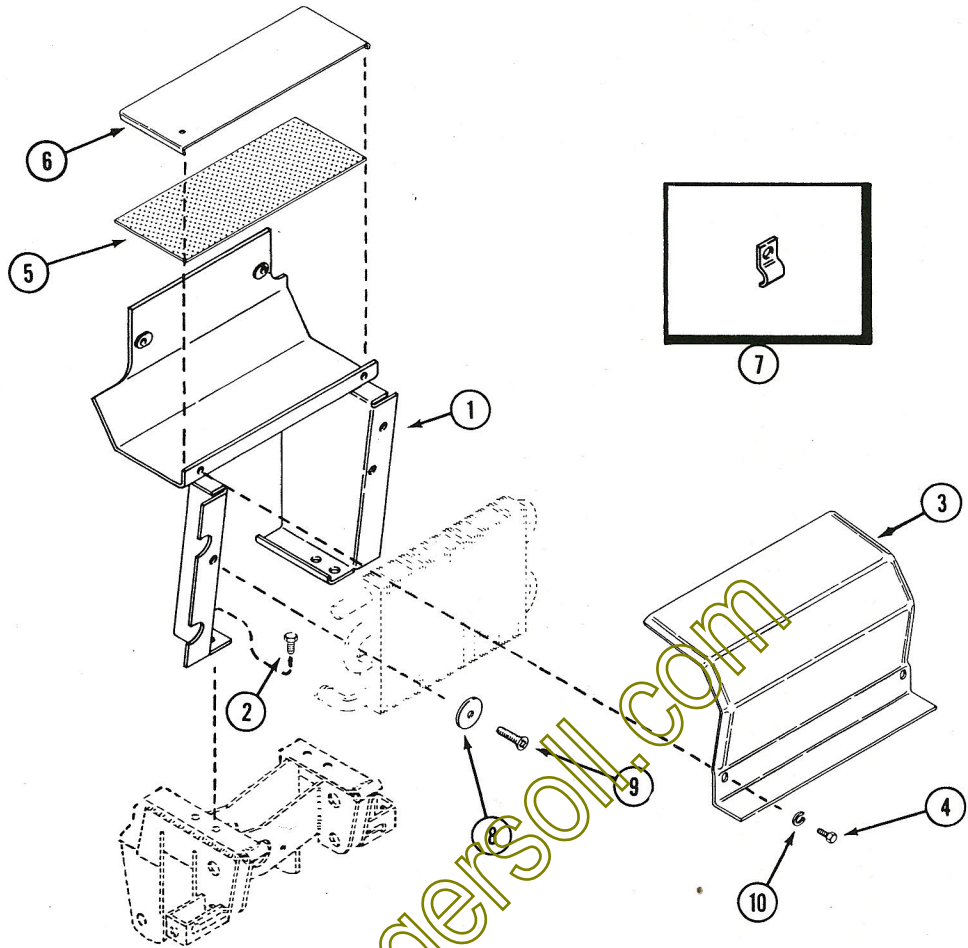
Use S/N and after:
 446 - S/N 14011824
 448 - S/N 14013893

REF.	PART NO.	DESCRIPTION	REQ'D
1	C 26278	PUMP - hydraulic 1/2" shaft	1
2	F 53109	PIN - dowel	2
3	C 24861	COVER - rear	1
4	C 15731	GEAR ASSEMBLY - driven	1
5	C 15732	"O" RING - cover	2
6	C 15733	BODY - pump	1
7	C 15734	COVER - front	1
8	C 15735	SEAL - shaft	1
9	NSS	GEAR ASSEMBLY - drive (1/2" shaft) (use C26278)	1
10	C 15737	PLATE - wear	1
11	C 15738	SHIELD - heat	1
12	C 15739	GASKET	1
13	C 15740	SEAL	1
14	113- 111	BOLT	4
15	C 19207	KEY - 1/8" square x 3/4" long	1
16	C 19115	WASHER	4
17	C 18916	COUPLING - pump	1
18	C 17300	HUB - pump half	1
19	NSS	HUB - (order item 17)	1
20	83- 55	SCREW - set 5/16" x 5/16" NC socket head	2
21	C 15036	SPIDER -	1

HYDRAULIC PUMP (CESSNA)

Use S/N and after:
 446 - S/N 14011824
 448 - S/N 14013893

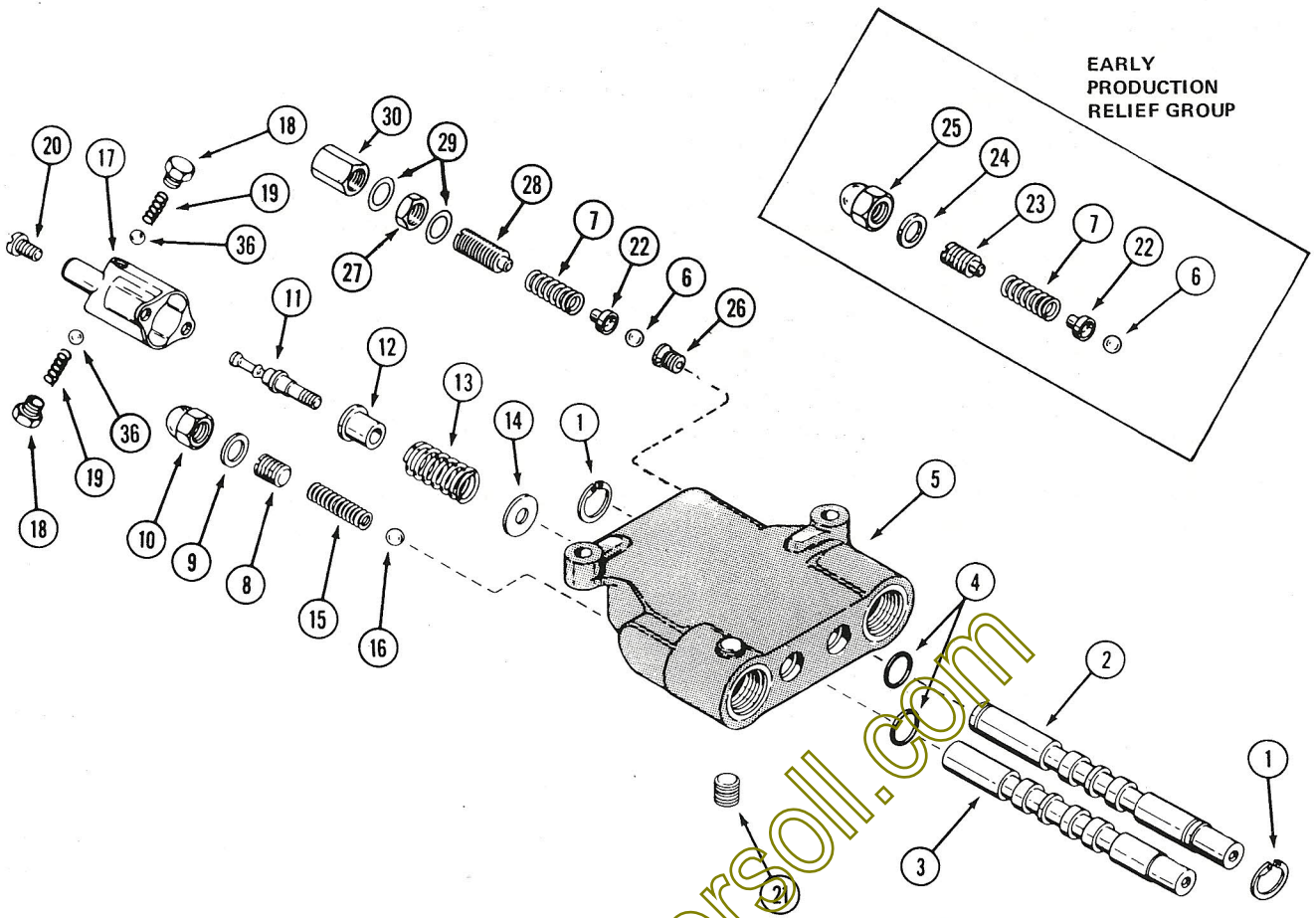
REF.	PART NO.	DESCRIPTION	REQ'D
	NSS	PUMP - hyd. 1/2" shaft (use C26278)	1
1	C 28709	SPRING	2
2	C 28718	DIAPHRAGM - wear plate	1
3	NSS	COVER - front (use C26278)	1
4	NSS	COVER - rear (use C26278)	1
5	C 28711	SEAL - shaft	1
6	NSS	BODY - pump (use C26278)	1
7	C 28712	SEAL - diaphragm	1
8	C 28714	GASKET - back up	1
9	C 19207	KEY - 1/8" square x 3/4" long	1
10	C 28713	GASKET - protector	1
11	NSS	GEAR ASSEMBLY - drive (use C26278)	1
12	NSS	GEAR ASSEMBLY - driven (use C26278)	1
13	211- 306	BALL - steel 7/32"	2
14	C 28715	PIN - dowel 1/4" x 1-1/4"	2
15	166- 32	BOLT - 5/16" - 18 x 2-1/2" 12 point flange	4



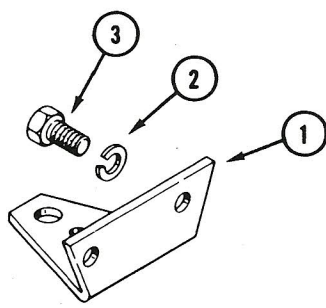
HEAT EXCHANGER MOUNTS AND MUFFLER SHIELDS

REF.	PART NO.	DESCRIPTION	REQ'D
1	C 25419	SUPPORT - heat exchanger (448) (use before S/N 14028535).....	1
1	C 29283	SUPPORT - heat exchange (448) (use S/N 14028535 and after)	1
1	C 23482	SUPPORT - heat exchanger (446) shown	1
2	113- 118	BOLT - 5/16" x 5/8"	4
3	C 25422	SHIELD - heat, muffler	1
4	113- 1	BOLT - 1/4" - 20 x 1/2" hex	2
5	C 23558	PAD - insulation.....	1
6	C 23559	RETAINER - insulation.....	1
7	C 25164	RETAINER - heat exchanger (448)	4
8	C 28987	WASHER - heat exchanger bracket	2
9	187- 1252	SCREW - 1/4" x 1-1/2" flat head Phillips.....	3
10	192- 19	LOCK WASHER - 1/4"	2

casecoltingersoll.com



casecoltingersoil.com



HYDRAULIC CONTROL VALVE (TWO SPOOL)

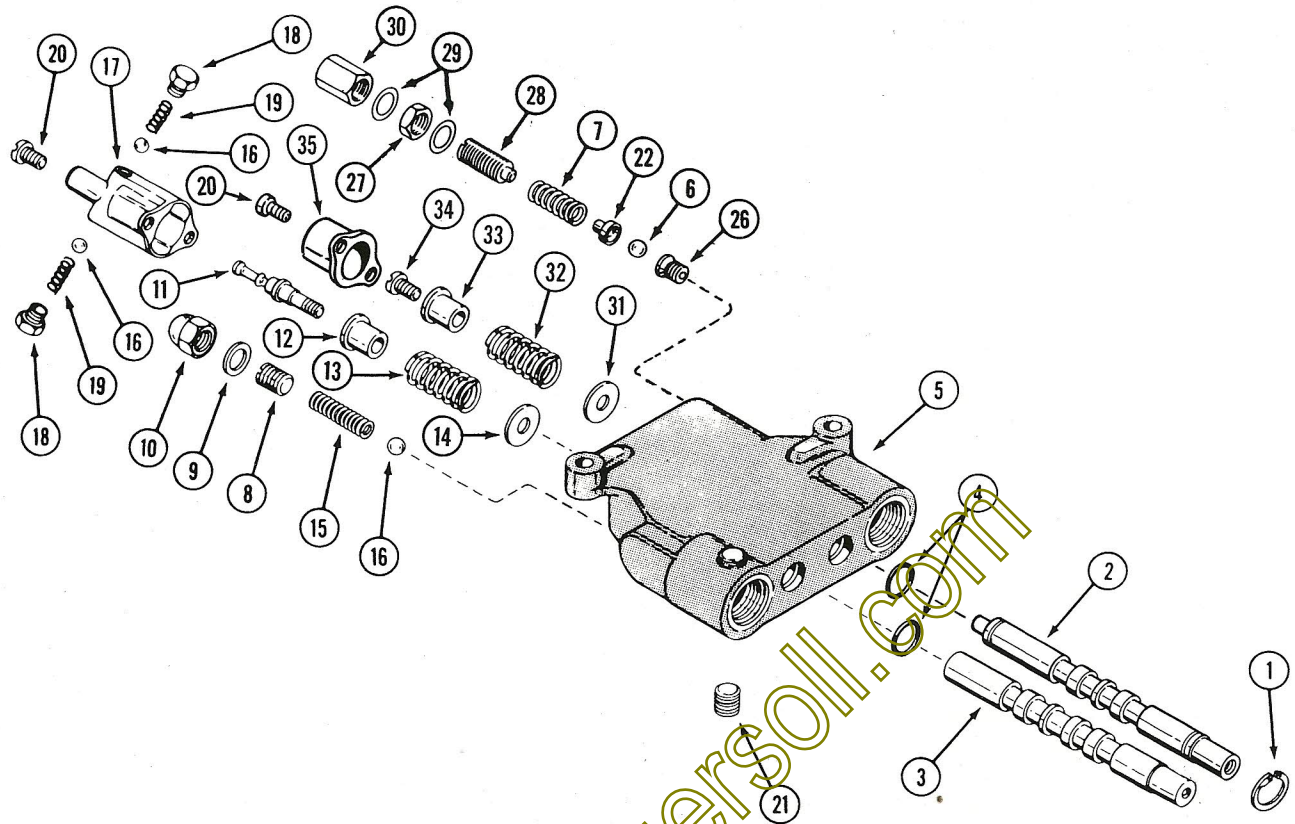
446 (use before S/N 9787653)

448 (use before S/N 9789869)

REF.	PART NO.	DESCRIPTION	REQ'D
	NSS	VALVE - control, two spool (use C27217)	1
1	C 28699	RING - retaining	2
2	NSS	SPOOL - motor (order C27217)	1
3	NSS	SPOOL - lift (order C27217)	1
4	C 28856	SEAL - spool	4
5	NSS	BODY - valve (order C27217)	1
6	211- 208	BALL - steel 5/16" (7.94 mm)	1
7	C 21507	SPRING - relief	2
8	C 17433	SCREW - relief adjust	1
9	C 17435	GASKET - relief adjust cap	1
10	129- 531	CAP - adjust screw	2
11	C 17439	DETENT - spool	1
12	C 13200	SPACER - detent	1
13	C 26431	SPRING - detent return	1
14	C 17440	WASHER - return	1
15	NSS	SPRING - relief (use C21511 kit)	1
16	211- 7	BALL - steel 1/4" (6.35 mm)	3
17	C 17438	COVER - detent	1
18	C 17443	SCREW - detent	2
19	C 17444	SPRING - detent	2
20	169- 114	SCREW - cover	2
21	221- 841	PLUG - pipe	1
22	C 21506	RETAINER - ball seat	1
23	C 21509	SCREW - adjust, relief	1
24	C 21508	GASKET - adjust cap	1
25	C 21510	CAP - adjust screw	1
26	C 26663	SEAT - relief ball	1
27	129- 166	NUT - lock	1
28	C 26665	SCREW - adjust, relief	1
29	C 26664	GASKET - adjust cap	2
30	C 26666	CAP - adjust screw	1
	C 21511	KIT - relief (includes items 8, 9, 10, 15 and 16)	1
	C 18851	KIT - detent (includes items 11, 12, 13, 14, 16, 17, 18, 19 and 20)	1

DRAWBAR AND TOW HITCH

1	C 13360	DRAWBAR	1
2	192- 23	LOCK WASHER - 1/2"	2
3	113- 424	BOLT - 1/2" x 1" N.C. hex	2



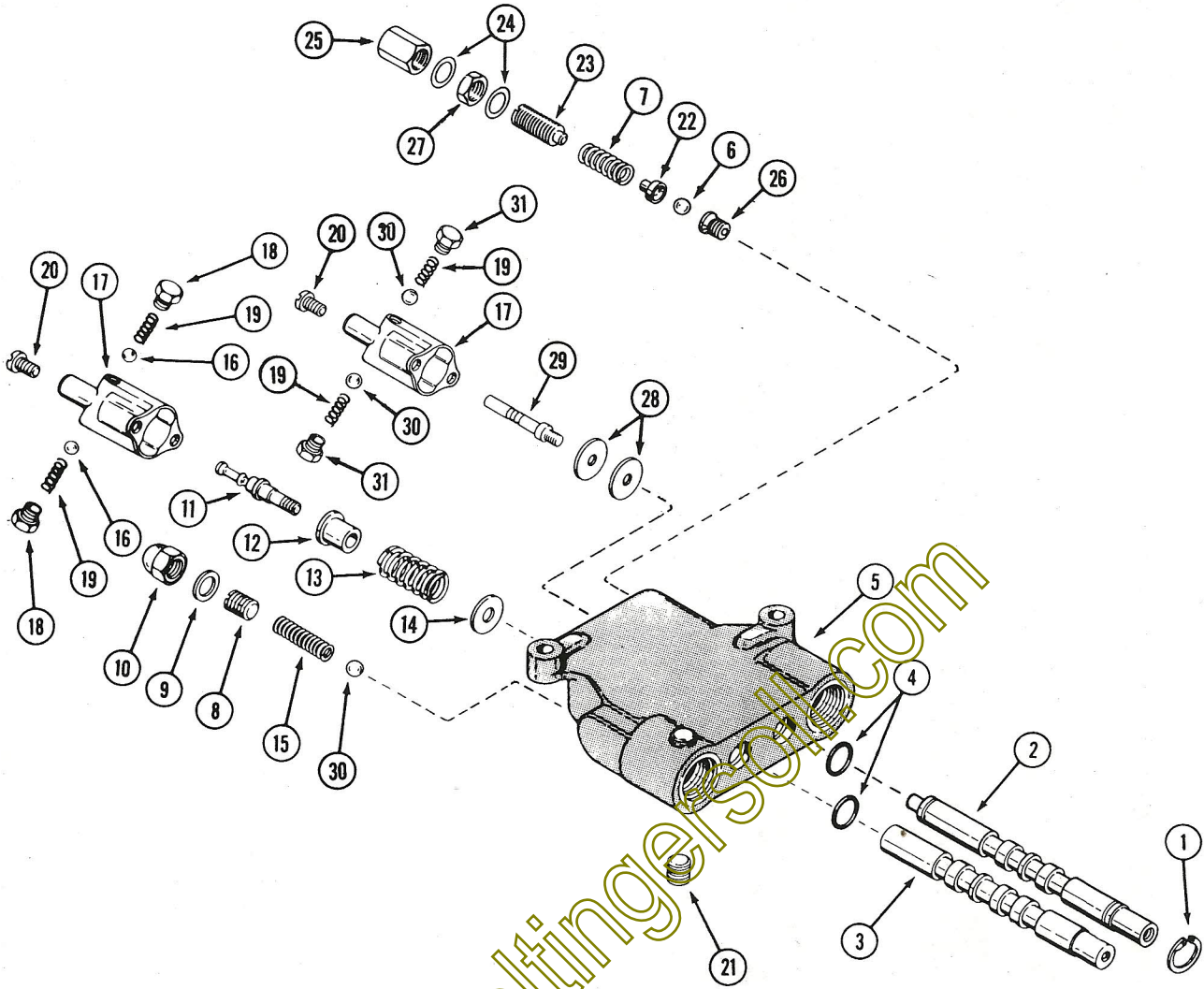
HYDRAULIC CONTROL VALVE (TWO SPOOL)

446 (use 9787653 and after)

448 (use 9789869 and after)

REF.	PART NO.	DESCRIPTION	REQ'D
	NSS	VALVE - control, two spool (use C27217)	1
1	C 28699	RING - retaining	2
2	NSS	SPOOL - motor (order C27217)	1
3	NSS	SPOOL - lift (order C27217)	1
4	C 28856	SEAL - spool	4
5	NSS	BODY - valve (order C27217)	1
6	211- 208	BALL - steel 5/16" (7.94 mm)	1
7	C 21507	SPRING - relief	2
8	C 17433	SCREW - relief adjust.	1
9	C 17435	GASKET - relief adjust cap	1
10	129- 531	CAP - adjust screw	2
11	C 26668	DETENT - spool	1
12	C 28707	SPACER - detent	1
13	C 28706	SPRING - detent return	1
14	C 28705	WASHER - return	1
15	NSS	SPRING - relief (use C21511 kit)	1
16	211- 7	BALL - steel 1/4" (6.35 mm)	3
17	C 17438	COVER - detent	1
18	C 28708	SCREW - detent	2
19	C 17444	SPRING - detent	2
20	169- 114	SCREW - cover	4
21	221- 841	PLUG - pipe	1
22	C 21506	RETAINER - ball seat	1
26	C 26663	SEAT - relief ball	1
27	129- 166	NUT - lock	1
28	C 26665	SCREW - adjust relief	1
29	C 26664	GASKET - adjust cap	2
30	C 26666	CAP - adjust screw	1
31	195- 521	WASHER - return	1
32	C 26382	SPRING - return	1
33	C 26667	SPACER - return	1
34	193- 524	SCREW - return spacer 1/4" - 20 x 7/16" with lockwasher	1
35	C 18847	COVER - return	1
36	211- 5	BALL - steel 3/16"	2
	C 21511	KIT - relief (includes items 8, 9, 10, 15 and 16)	1

NOTE: C27271 Travel control detent kit is available to change this valve over to the current travel detent style. See page 47D for parts list

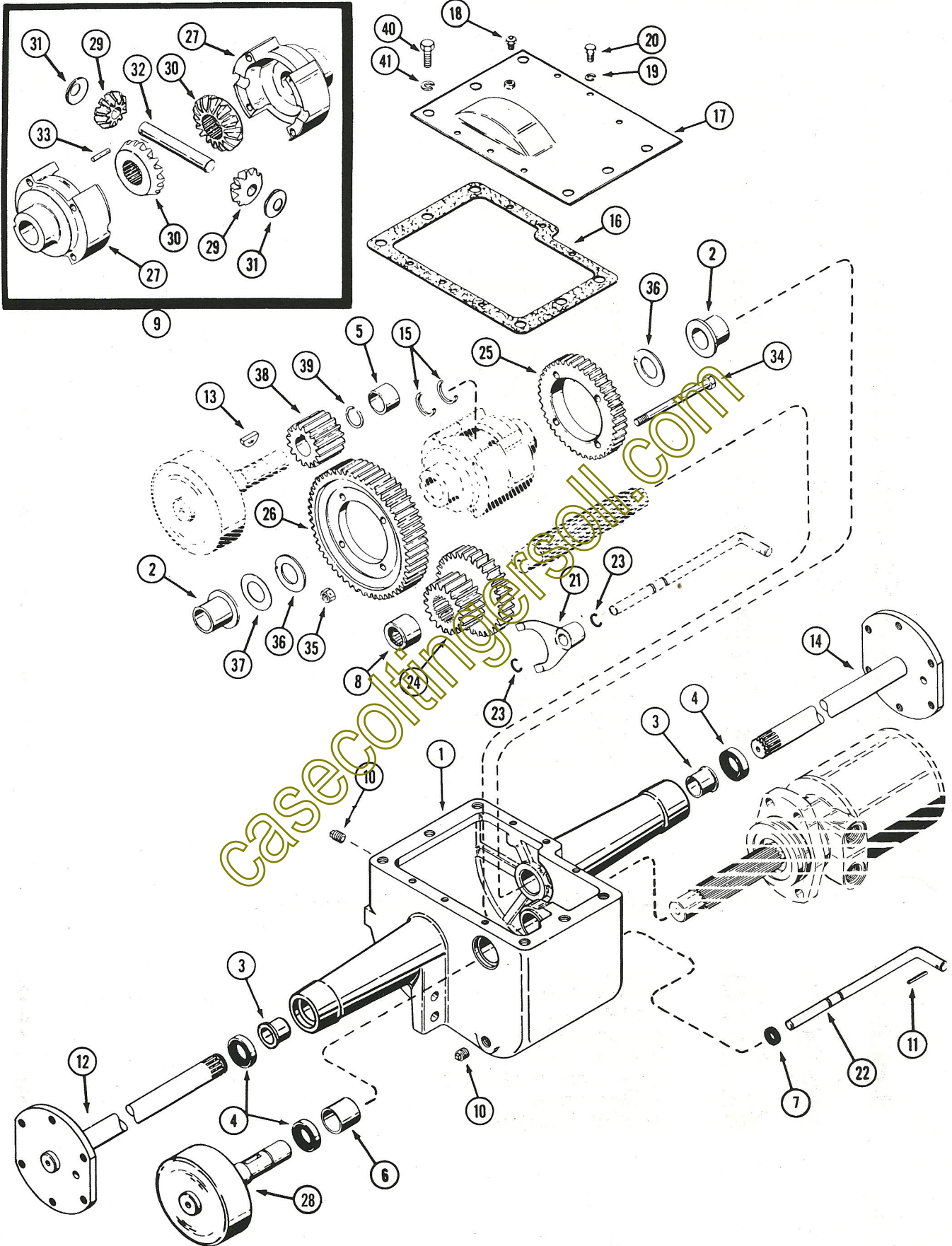


HYDRAULIC CONTROL VALVE (TWO SPOOL)
 (Service Value)

REF.	PART NO.	DESCRIPTION	REQ'D
	C 27217	VALVE - control, two spool	1
1	C 28699	RING - retaining	2
2	NSS	SPOOL - motor (order C27217)	1
3	NSS	SPOOL - lift (order C27217)	1
4	C 28856	SEAL - spool	4
5	NSS	BODY - valve (order C27217)	1
6	211- 208	BALL - steel 5/16" (7.94 mm)	1
7	C 21507	SPRING - relief	2
8	C 17433	SCREW - relief adjust	1
9	C 17435	GASKET - relief adjust cap	1
10	129- 531	CAP - adjust screw	2
11	C 26668	DETENT - spool	1
12	C 28707	SPACER - detent	1
13	C 28706	SPRING - detent return	1
14	C 28705	WASHER - return	1
15	NSS	SPRING - relief (use C21511 kit)	1
16	211- 5	BALL - steel 3/16" (4.763 mm)	3
17	C 17438	COVER - detent	1
18	C 28708	SCREW - detent	2
19	C 17444	SPRING - detent	2
20	169- 114	SCREW - cover	4
21	221- 841	PLUG - pipe	1
22	C 21506	RETAINER - ball seat	1
23	C 26665	SCREW - adjust, relief	1
24	C 26664	GASKET - adjust cap	1
25	C 26666	CAP - adjust screw	1
26	C 26663	SEAT - relief ball	1
27	129- 166	NUT - lock	1
28	195- 521	WASHER	2
29	C 27219	DETENT - spool	1
30	211- 7	BALL - steel 1/4" (6.35 mm)	2
31	C 17443	SCREW - detent	2
	C 21511	KIT - relief (includes items 8, 9, 15 and 30)	1

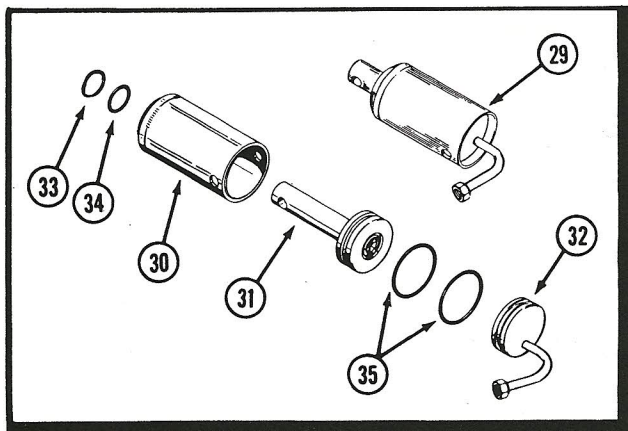
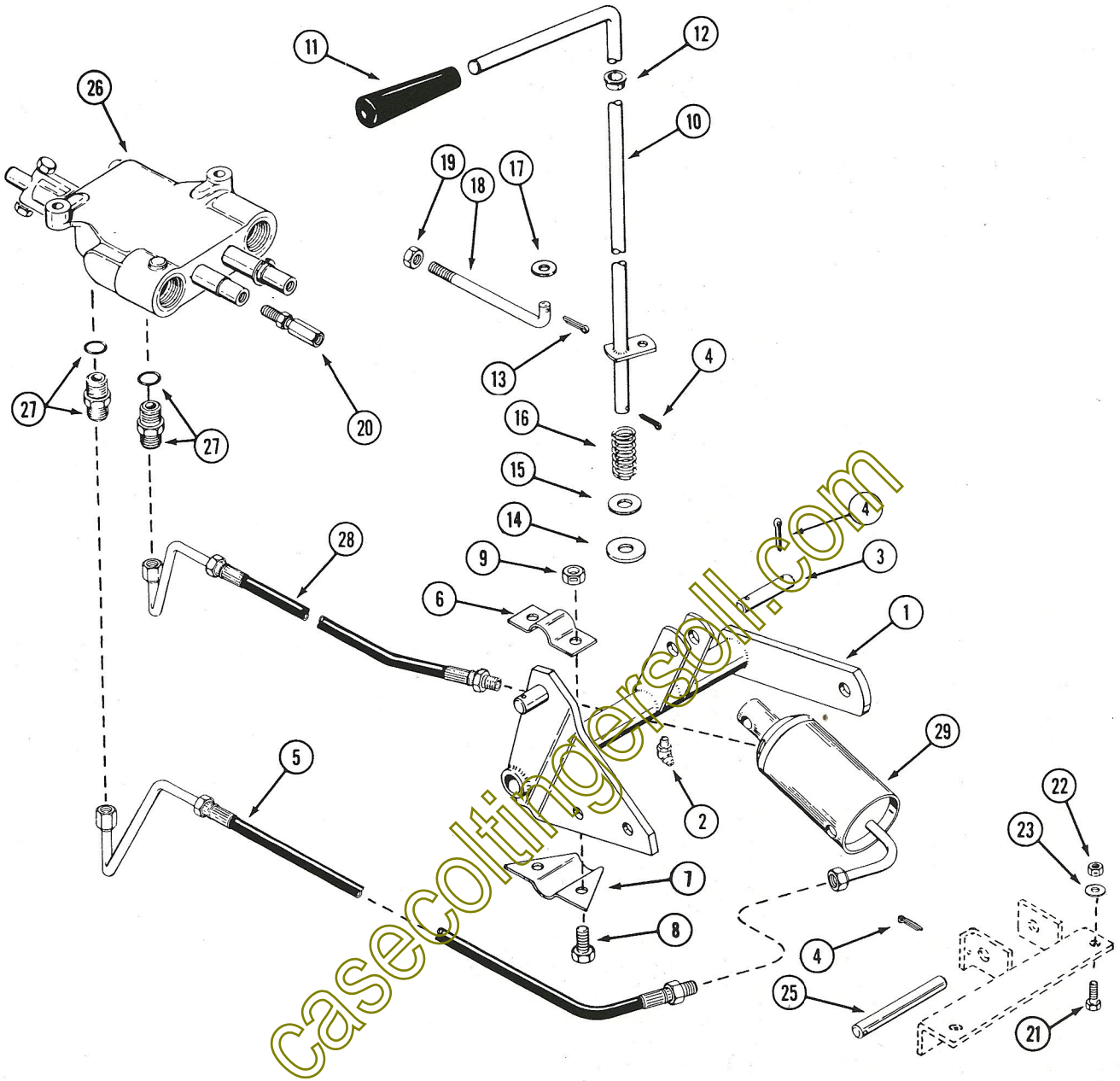
C27271 TRAVEL CONTROL DETENT KIT

17	C 17438	COVER - detent	1
19	C 17444	SPRING - detent	2
20	169- 114	SCREW - cover	2
28	195- 521	WASHER - detent	2
29	C 27219	DETENT - spool	1
30	211- 7	BALL - steel 1/4" (6.35 mm)	2
31	C 17443	SCREW - detent	2
	C 28003	SWITCH - neutral start	1



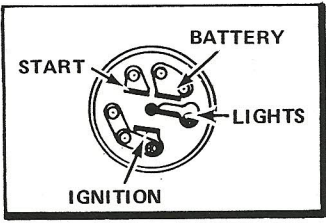
TRANSMISSION AND FINAL DRIVE

REF.	PART NO.	DESCRIPTION	REQ'D
	C 24843	CASE ASSEMBLY - transmission	1
1	NSS	CASE - transmission (order C24843 assembly)	1
2	C 12713	BEARING - flange	2
3	C 24804	BEARING - flange	2
4	C 24803	SEAL - shaft	3
5	C 13241	BEARING - sleeve	1
6	C 13385	BEARING - sleeve	1
7	C 13266	SEAL - shift rod	1
8	C 28281	BEARING - roller	1
9	C 30029	DIFFERENTIAL ASSEMBLY	1
10	221- 843	PLUG - filler and drain 3/8" (late production)	2
10	221- 844	PLUG - filler and drain 1/2" (early production)	2
11	138- 2073	PIN - roll 3/16" x 1-1/4"	1
12	C 22638	SHAFT - axle, short R.H.	1
13	126- 128	KEY - Woodruff, brake idler	1
14	C 22637	SHAFT - axle, long L.H.	1
15	C 26342	RING - retainer, axle	2
16	C 13196	GASKET - transmission cover	1
17	C 13197	COVER - transmission	1
18	C 28241	BREATHER - transmission	1
19	192- 19	LOCK WASHER - 1/4"	6
20	121- 21	BOLT - 1/4" x 1/2" N.C. hex	6
21	C 12725	FORK - shift	1
22	C 24802	ROD - gear shift	1
23	C 14168	RING - retaining	2
24	C 14644	GEAR - cluster input	1
25	NSS	GEAR - high 41 tooth (use C30030 and C30031)	1
26	C 12552	GEAR - low 55 tooth	1
27	NSS	DIFFERENTIAL CASE	1
28	C 25258	BRAKE DRUM	1
29	NSS	GEAR - differential pinion	2
30	NSS	GEAR - differential	2
31	NSS	WASHER - pinion thrust	2
32	NSS	PIN - differential	1
33	NSS	PIN - differential pin lock	1
34	28- 680	SCREW - 3/8" x 5" N.F. hex cap	4
35	131- 1133	NUT - lock 3/8" N.F. hex	4
36	C 12718	WASHER - differential	2
37	C 14223	WASHER - spacer	UAR
38	C 25254	GEAR - brake idler	1
39	C 14222	RING - retainer, brake idler	1
40	113- 424	BOLT - 1/2" - 13 x 1" hex	3
40	166- 86	BOLT - 1/2" - 13 x 1-1/4" flange	1
41	192- 23	LOCK WASHER - 1/2"	4

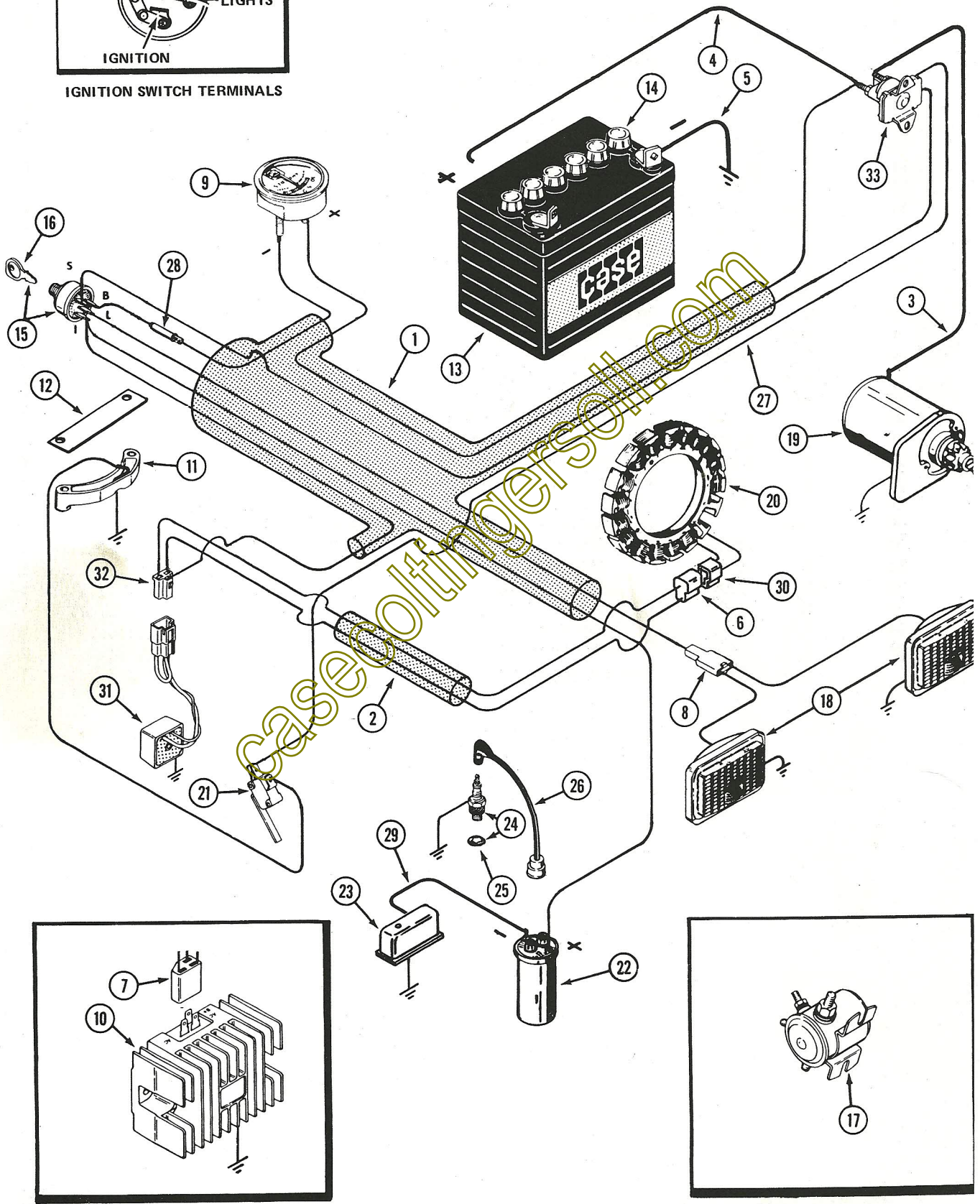


HYDRAULIC LIFT

REF.	PART NO.	DESCRIPTION	REQ'D
1	C 19661	SHAFT ASSEMBLY - lift	1
2	219- 404	FITTING - lubrication	1
3	C 18251	PIN - cylinder to lever	1
4	132- 310	PIN - cotter 1/8" x 1"	5
5	C 17734	HOSE - long	1
6	C 17249	BRACKET - mounting, top	2
7	C 17250	BRACKET - mounting, bottom	2
8	113- 207	BOLT - 3/8" x 1" N.C. hex	4
9	131- 1181	NUT - 3/8" N.C. hex	4
10	C 29408	LEVER - lift control	1
11	C 28237	KNOB - control lever	1
12	C 27593	BUSHING - lift lever	1
13	132- 320	PIN - cotter 3/32" x 3/4"	1
14	195- 533	WASHER - 1/2"	1
15	C 21518	WASHER - nylon	1
16	C 27822	SPRING - control lever	1
17	195- 521	WASHER - 5/16"	1
18	C 18742	ROD - control	1
19	129- 122	NUT - 5/16" N.F. hex	1
20	C 19025	BALL JOINT	1
21	113- 207	BOLT - 3/8" x 1" N.C. hex	2
22	131- 1181	NUT - lock 3/8" N.C. hex	2
23	195- 104	WASHER - 3/8" x 1-1/8" O.D.	2
25	C 26188	PIN - cylinder base	1
26	C 27217	VALVE - hydraulic, two spool	1
27	218- 5056	FITTING - valve (includes 218-5004 "O" ring)	2
28	C 17224	HOSE - short	1
29	NSS	CYLINDER - lift (use C27590 cylinder and C28702 pin)	1
30	C 16133	BODY - cylinder	1
31	C 19104	ROD AND PISTON ASSEMBLY	1
32	C 17732	BASE - cylinder	1
33	C 14970	SEAL	1
34	C 28487	"O" RING	1
35	C 28697	"O" RING	2
	C 13106	COVER - lubrication fitting	1



IGNITION SWITCH TERMINALS

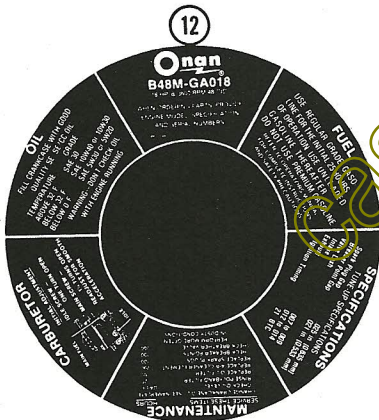
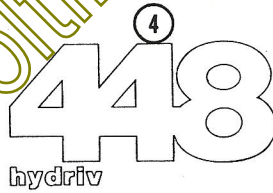
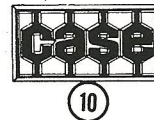
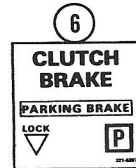
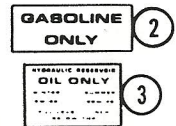
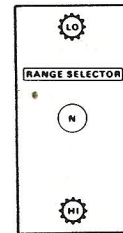
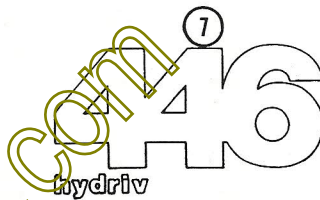
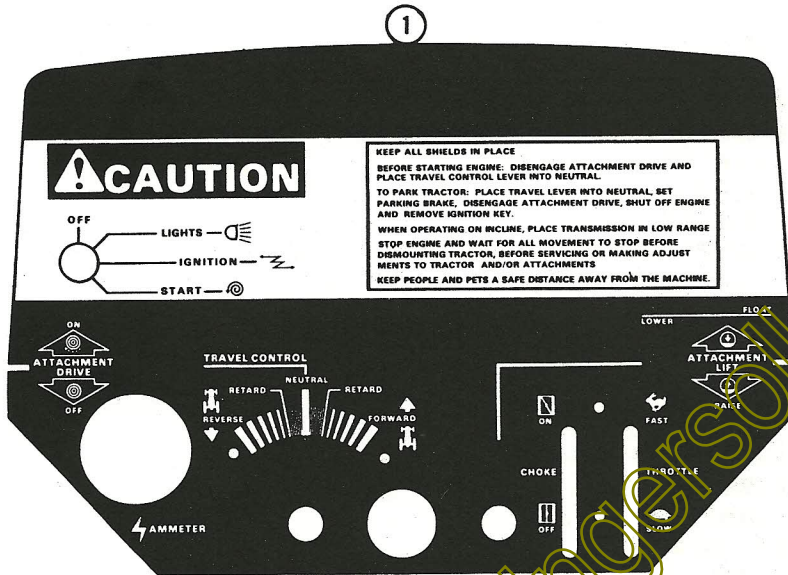
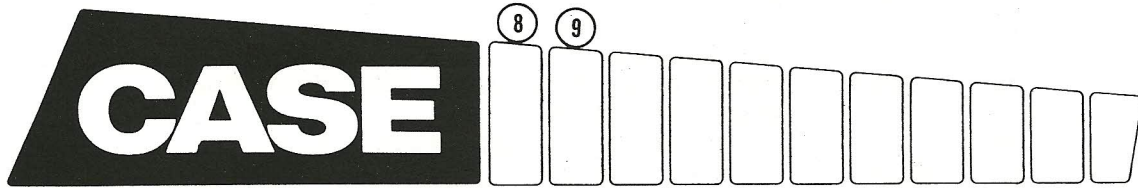


ELECTRICAL SYSTEM

REF.	PART NO.	DESCRIPTION	REQ'D
1	C 24898	HARNESS - wire (use before S/N 9786764 - 446, S/N 9789345 - 448) ...	1
1	C 25564	HARNESS - wire (use S/N 9786764 - 446, S/N 9789345 - 448 and after) ...	1
2	C 24815	HARNESS - wire	1
3	C 24809	CABLE - solenoid to starter (black)	1
4	C 14565	CABLE - solenoid to battery positive (red)	1
5	C 24814	CABLE - battery negative to ground (black)	1
6	C 24813	CONNECTOR - stator	1
7	C 19378	CONNECTOR - rectifier (early production)	1
8	C 14537	CONNECTOR - lights	1
9	C 29413	AMMETER - 30 amperes, 12v	1
10	C 21945	RECTIFIER - voltage, 12v (early production)	1
11	C 23002	SWITCH - neutral start (includes wire)	1
12	C 21989	INSULATOR - locator	1
13	NSS	BATTERY - 12v (use C31212)	1
14	C 18113	CAP - battery	6
15	C 30268	SWITCH ASSEMBLY - ignition (includes key and lock washer)	1
16	C 27751	KEY - ignition	1
17	C 14553	SOLENOID - start 12v (use before S/N 9786764 - 446, S/N 9789345 - 448)	1
18	C 22571	HEADLIGHT ASSEMBLY - 12v (repairs page 61)	2
19	C 29733	STARTER - (repairs page 17)	1
20	C 24956	STATOR	1
21	C 26108	SWITCH - neutral start, PTO	1
22	C 29752	COIL - ignition, 12v	1
23	C 29990	BREAKER CONTACT ASSEMBLY - ignition (repairs page 19)	1
24	C 25845	SPARK PLUG - (includes gasket)	2
25	C 28673	GASKET - spark plug	1
26	C 32299	CABLE - spark plug	2
27	C 24896	WIRE - solenoid to switch (use before S/N 9786764 - 446, S/N 9789345 - 448)	1
27	C 25563	WIRE - solenoid to switch (use S/N 9786764 - 446, S/N 9789345 - 448 and after)	1
28	223- 20	FUSE - 20 amperes (included in harness)	1
29	C 29992	WIRE - breaker contacts to coil negative	1
30	C 25338	CONNECTOR - stator	1
31	C 27509	RECTIFIER - voltage, 12v (late production)	1
32	C 25486	CONNECTOR - rectifier (late production)	1
33	NSS	SOLENOID - start, 12v (use S/N 9786764 - 446, S/N 9789345 - 448 and after) (use C26525)	1

ELECTRICAL SYSTEM HARDWARE

REF.	PART NO.	DESCRIPTION	REQ'D
1	C 23330	NUT - switch mounting	1
2	C 23012	LOCK WASHER - internal tooth	1
3	131- 629	NUT - speed type "U"	4
4	187- 1334	SCREW - No. 8 x 1/2" self-tapping, round head Phillips	4
	C 22571	HEADLIGHT ASSEMBLY	2
5	NSS	RECEPTACLE - headlight (order C22571)	1
6	C 28932	BULB - headlight	1
7	C 14304	GASKET - headlight	2
8	C 22573	LENS - headlight	1
9	113- 1	BOLT - 1/4" - 20 x 1/2" hex	2
10	193- 57	LOCK WASHER - 1/4" external tooth	4
11	129- 101	NUT - 1/4" - 20 hex	2
12	111- 139	BOLT - 1/4" - 20 x 1" round head, square neck	2
13	192- 19	LOCK WASHER - 1/4"	2
14	129- 162	NUT - 5/16" NF hex	2
15	129- 37	NUT - No. 10 N.F. hex	8
16	193- 99	LOCK WASHER - No. 10	6
17	111- 202	BOLT - 5/16" x 3/4" N.C. round head, square neck	1
18	111- 108	BOLT - 1/4" x 3/4" N.C. round head, square neck	1
19	129- 102	NUT - 5/16" NC hex	1
20	182- 10	SCREW - No. 4 - 40 x 7/8"	2
21	129- 13	NUT - No. 4 - 40 hex	2
22	192- 13	LOCK WASHER - No. 4	2
23	C 24069	COVER - terminal	1
24	113- 3	BOLT - 1/4" - 20 x 3/4" hex	2
25	193- 29	LOCK WASHER - 5/16"	2
26	C 10836	NUT - speed type	2
27	187- 1908	SCREW - self tapping	2
28	113- 17	BOLT - 1/4" - 20 x 1-1/4" hex	1
	C 19521	CLIP - headlight wire	1



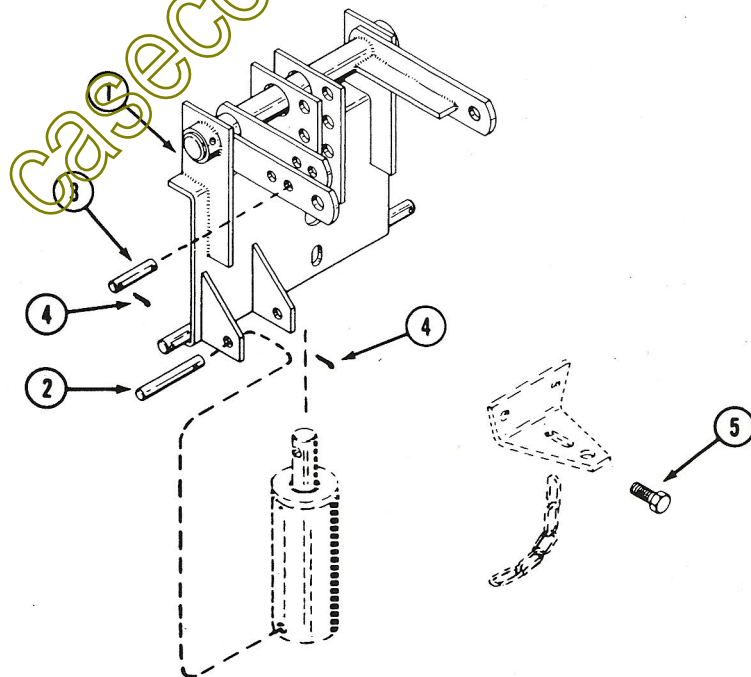
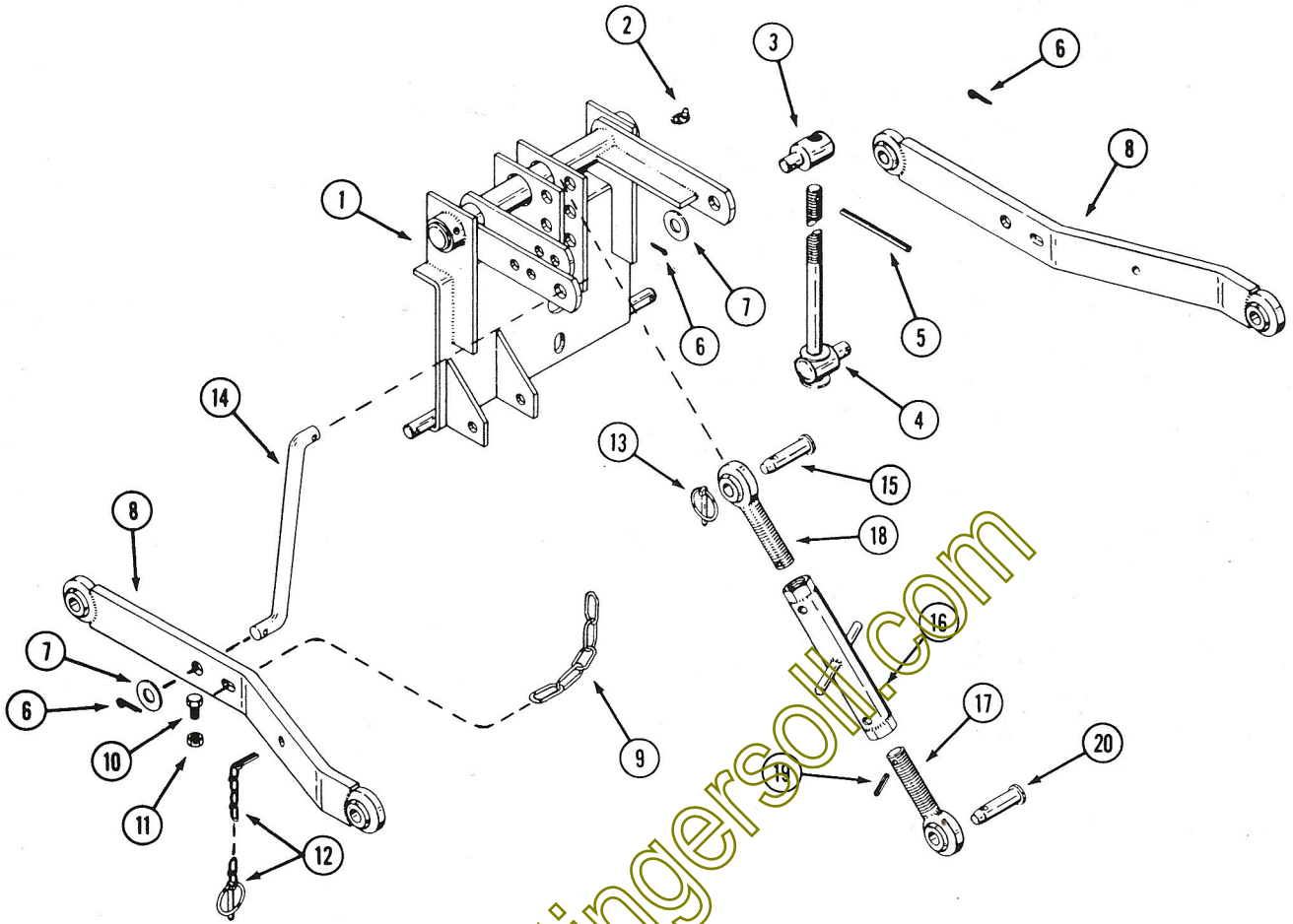
DECALS (English)

REF.	PART NO.	DESCRIPTION	REQ'D
1	321- 3585	DECAL - instrument panel	1
2	C 29031	DECAL - gasoline	1
3	321- 4767	DECAL - hydraulic reservoir	1
4	321- 5930	DECAL - hood top (448)	1
5	321- 1788	DECAL - shift range	1
6	NSS	DECAL - clutch, brake (use C27481)	1
7	321- 5107	DECAL - hood top (446)	1
8	321- 5100	DECAL - hood R.H. (shown)	1
9	321- 5101	DECAL - hood L.H.	1
10	321- 5040	MEDALLION - "Case"	1
11	321- 5097	DECAL - "Case" seat back	1
12	C 26656	DECAL - air cleaner (446)	1
12	C 26657	DECAL - air cleaner (448)	1

(French and English)

1	321- 4734	DECAL - instrument panel	1
2	321- 4728	DECAL - gasoline	1
3	321- 4764	DECAL - hydraulic reservoir	1
4	321- 4697	DECAL - parking brake	1
5	321- 4693	DECAL - shift range	1
6	321- 4696	DECAL - clutch, brake	1

casecoltingersoll.com

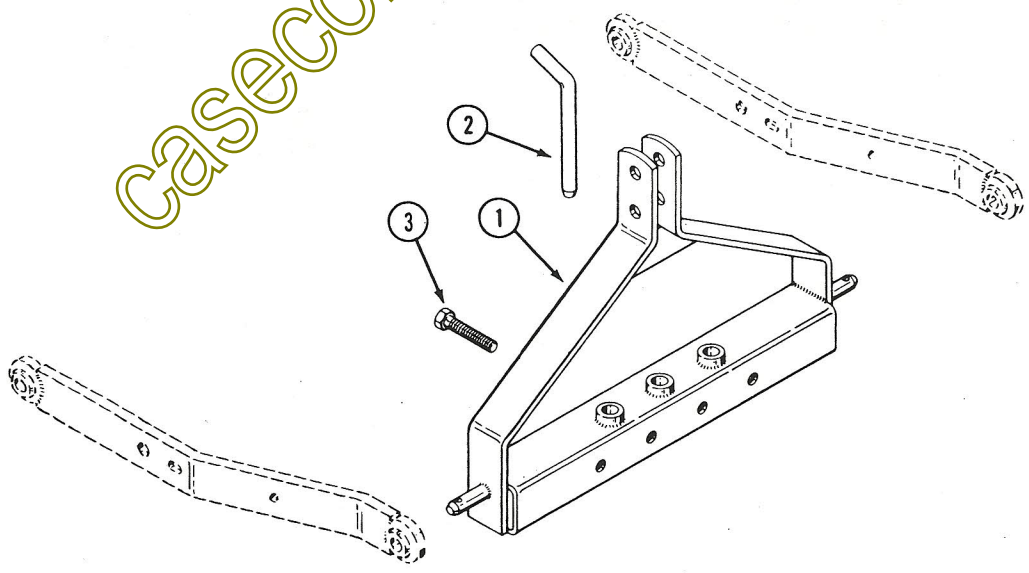
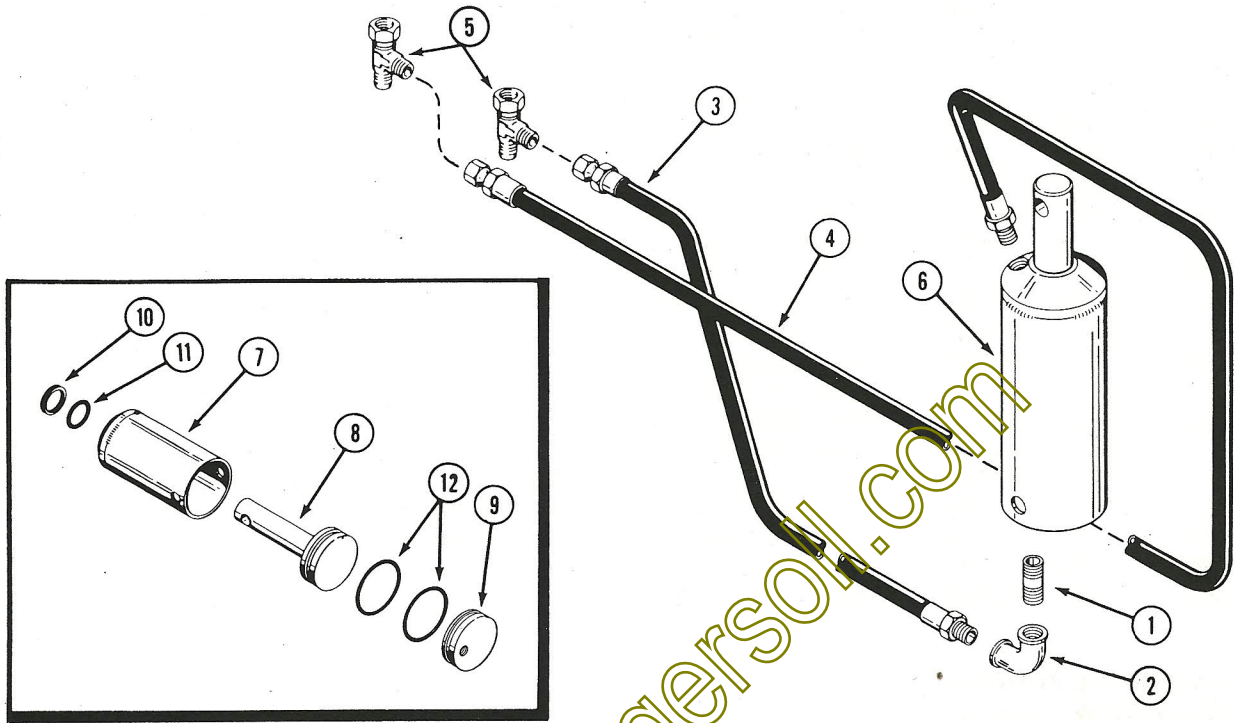


**J26 THREE POINT HITCH
FRAME, LIFT RODS AND ARMS**

REF.	PART NO.	DESCRIPTION	REQ'D
1	C 19740	HITCH PLATE ASSEMBLY	1
2	219- 405	FITTING - lubrication.....	2
	C 24447	ROD ASSEMBLY - R.H. lift	1
3	C 14722	NUT - lift rod.....	1
4	C 14724	ROD ASSEMBLY - R.H. lift	1
5	138- 308	PIN - roll 1/4" x 3"	1
6	132- 91	PIN - cotter 3/16" x 1"	6
7	195- 541	WASHER - plain 5/8"	4
8	C 14715	ARM - lift	2
9	C 14991	CHAIN - 19 links.....	1
10	113- 118	BOLT - 5/16" x 5/8" N.C. hex, zinc	2
11	131- 176	NUT - lock 5/16" N.C. hex	2
12	C 28985	PIN - retaining.....	2
13	C 28222	PIN - retaining.....	3
14	C 14725	ROD - lift L.H.	1
15	C 14717	PIN - clevis.....	1
	C 14712	LINK ASSEMBLY.....	1
16	C 14703	CENTER TUBE ASSEMBLY.....	1
17	C 14709	BALL END ASSEMBLY - R.H. thread.....	1
18	C 14710	BALL END ASSEMBLY - L.H. thread.....	1
19	138- 59	PIN - roll 1/8" x 7/8".....	2
20	C 16128	PIN - clevis 5/8" x 3"	1

**J26 THREE POINT HITCH
CYLINDER AND DRAWBAR MOUNTING**

1	C 19740	HITCH PLATE ASSEMBLY	1
2	C 26188	PIN - lower cylinder mounting.....	1
3	C 14976	PIN - upper cylinder mounting	1
4	132- 310	PIN - cotter 1/8" x 1"	3
5	113- 417	BOLT - 1/2" x 1-1/4" N.C., hex, zinc	2



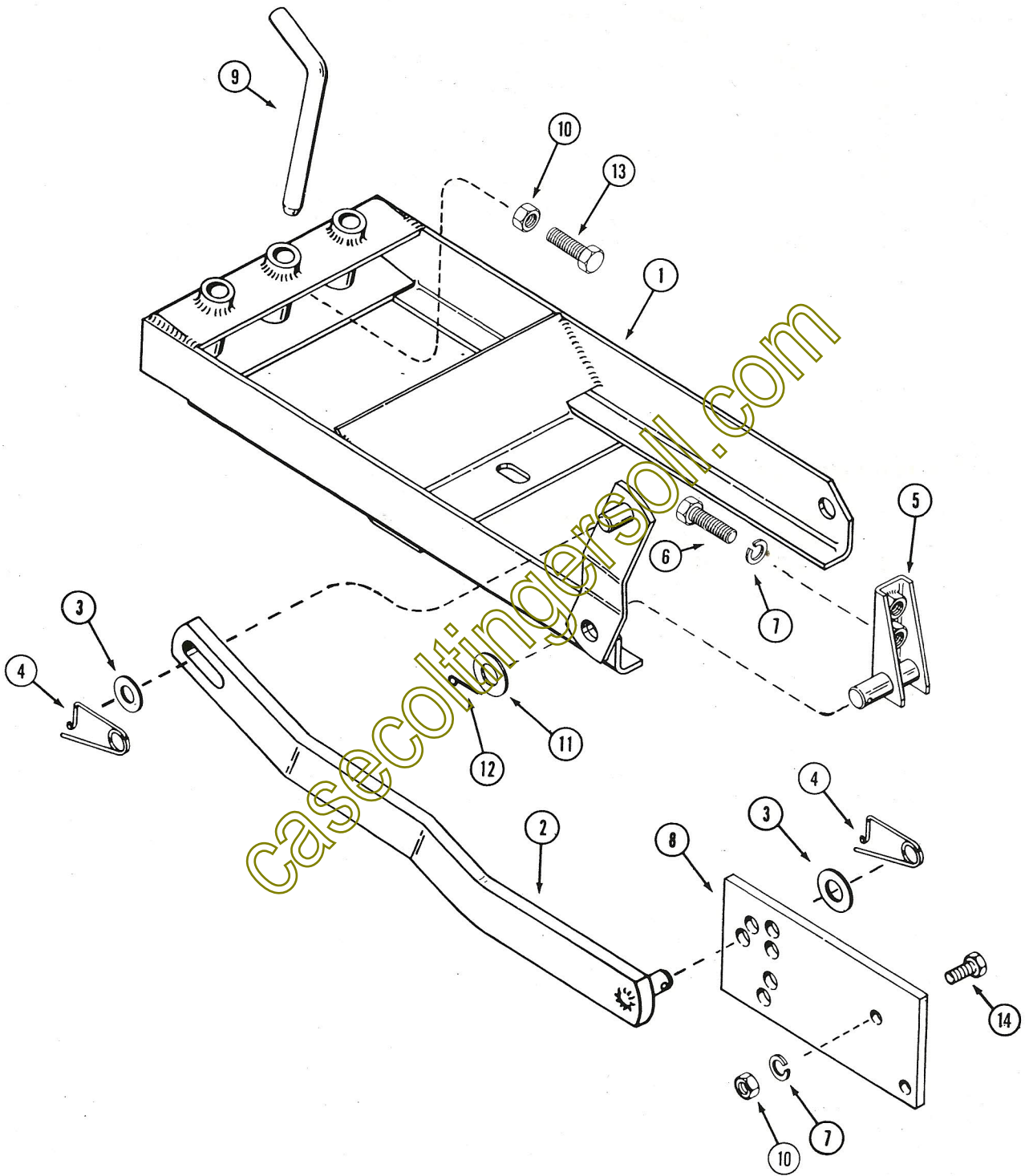
**J26 THREE POINT HITCH
HYDRAULIC CONNECTIONS AND COMPONENTS**

REF.	PART NO.	DESCRIPTION	REQ'D
1	221- 1139	NIPPLE - 1/4" x 3"	1
2	221- 1375	ELBOW - 90 degrees.	1
3	C 25369	HOSE - hydraulic, short.	1
4	C 25368	HOSE - hydraulic, long.	1
5	218- 5479	FITTING - "T", swivel (includes 218-5004 "O" ring)	2
6	NSS	CYLINDER ASSEMBLY (use C26494 and C30049)	1
7	C 19476	BODY - cylinder (also use C30049)	1
8	C 19469	ROD AND PISTON ASSEMBLY	1
9	NSS	BASE - cylinder (use C27590 cylinder)	1
10	C 14970	SEAL - wiper	1
11	C 28487	"O" RING	1
12	C 28697	"O" RING	2

F27 HITCH ADAPTER

1	C 14872	BRACKET - hitch adapter	1
2	C 14568	PIN - drawbar	1
3	113- 425	BOLT - 1/2" x 3" N.C. hex	4

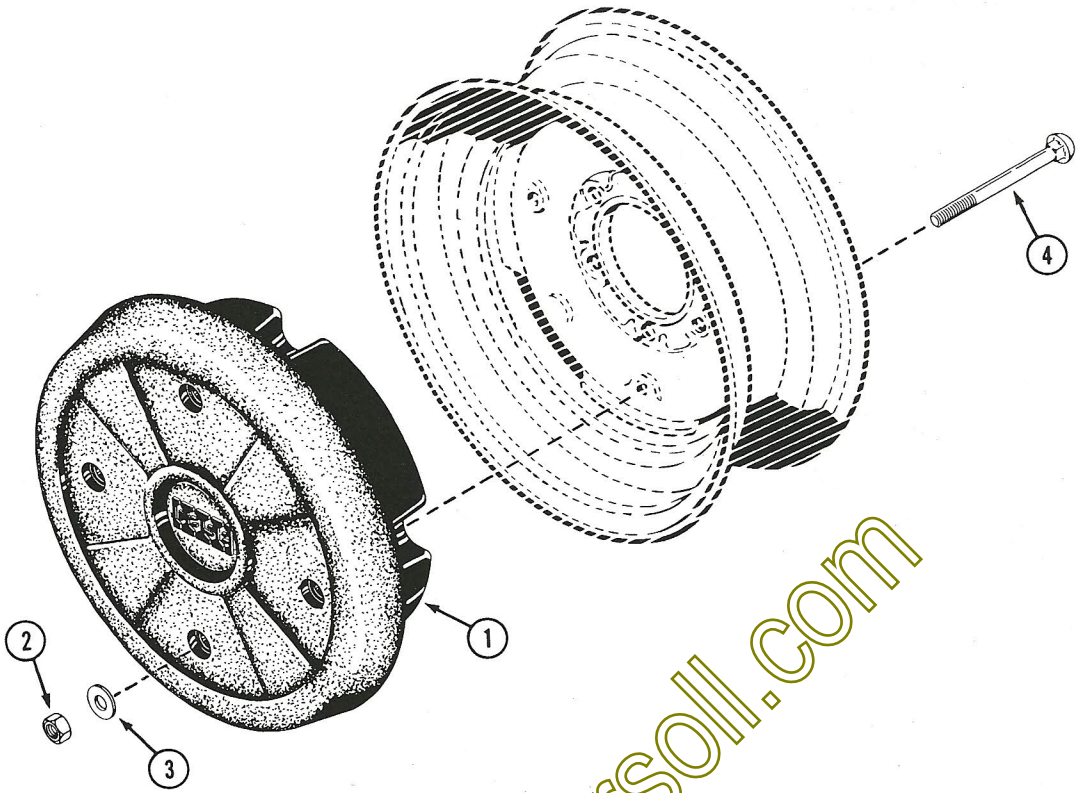
casecoltingersoll.com



K24 SLEEVE HITCH

REF.	PART NO.	DESCRIPTION	REQ'D
1	C 22218	HITCH FRAME ASSEMBLY	1
2	C 25371	ARM - lift	1
3	195- 541	WASHER - plain 21/32"	2
4	C 10898	PIN - retaining	2
5	C 14459	BRACKET - hitch mounting R.H. (shown)	1
5	C 25789	BRACKET - hitch mounting L.H.	1
6	113- 410	BOLT - 1/2" x 1-1/2" N.C. hex, zinc	6
7	192- 23	LOCK WASHER - 1/2" zinc	6
8	C 25382	PLATE - lift lever	1
9	C 14568	PIN - drawbar	1
10	129- 105	NUT - 1/2" N.C. hex, zinc	4
11	195- 545	WASHER - plain 3/4" zinc	2
12	132- 306	PIN - cotter 3/16" x 1-3/4"	2
13	22- 844	BOLT - 1/2" x 2" N.C. hex, zinc	2
14	113- 417	BOLT - 1/2" x 1-1/4" hex	2

casecoltingersoll.com

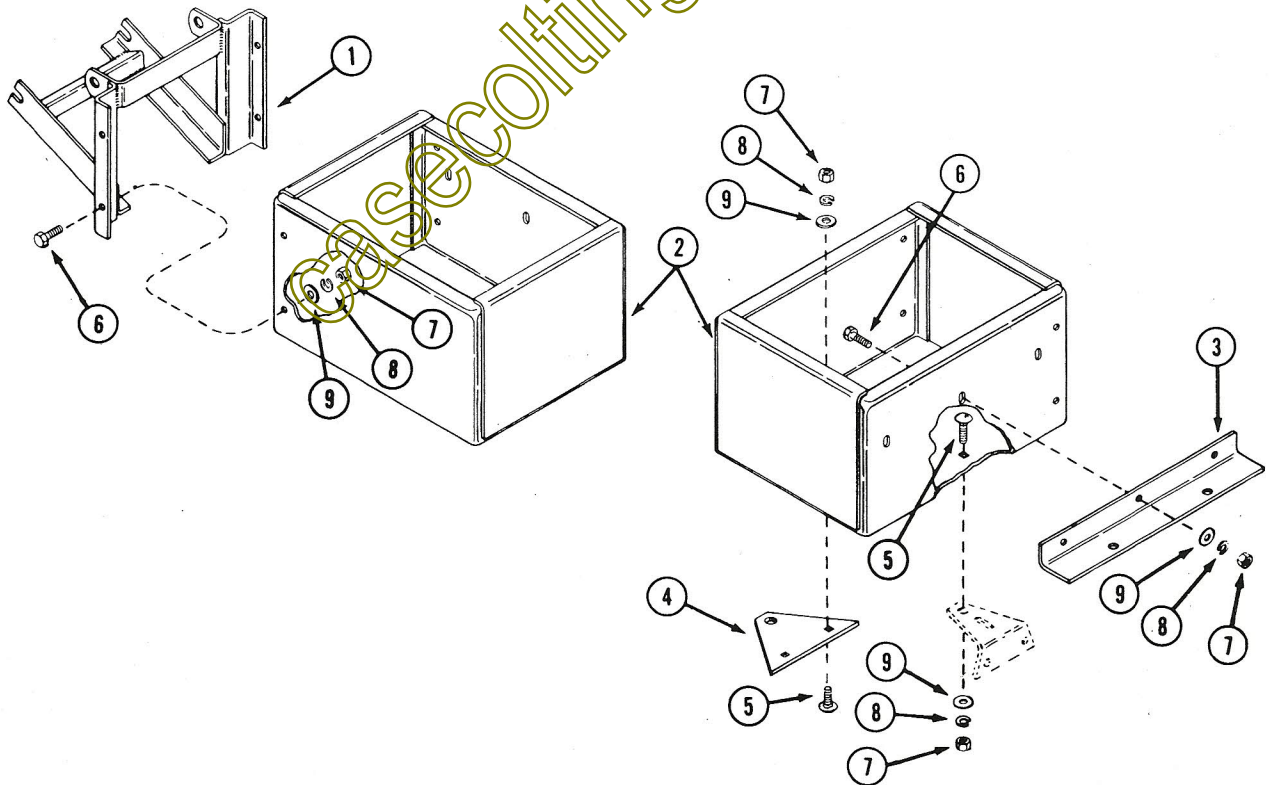
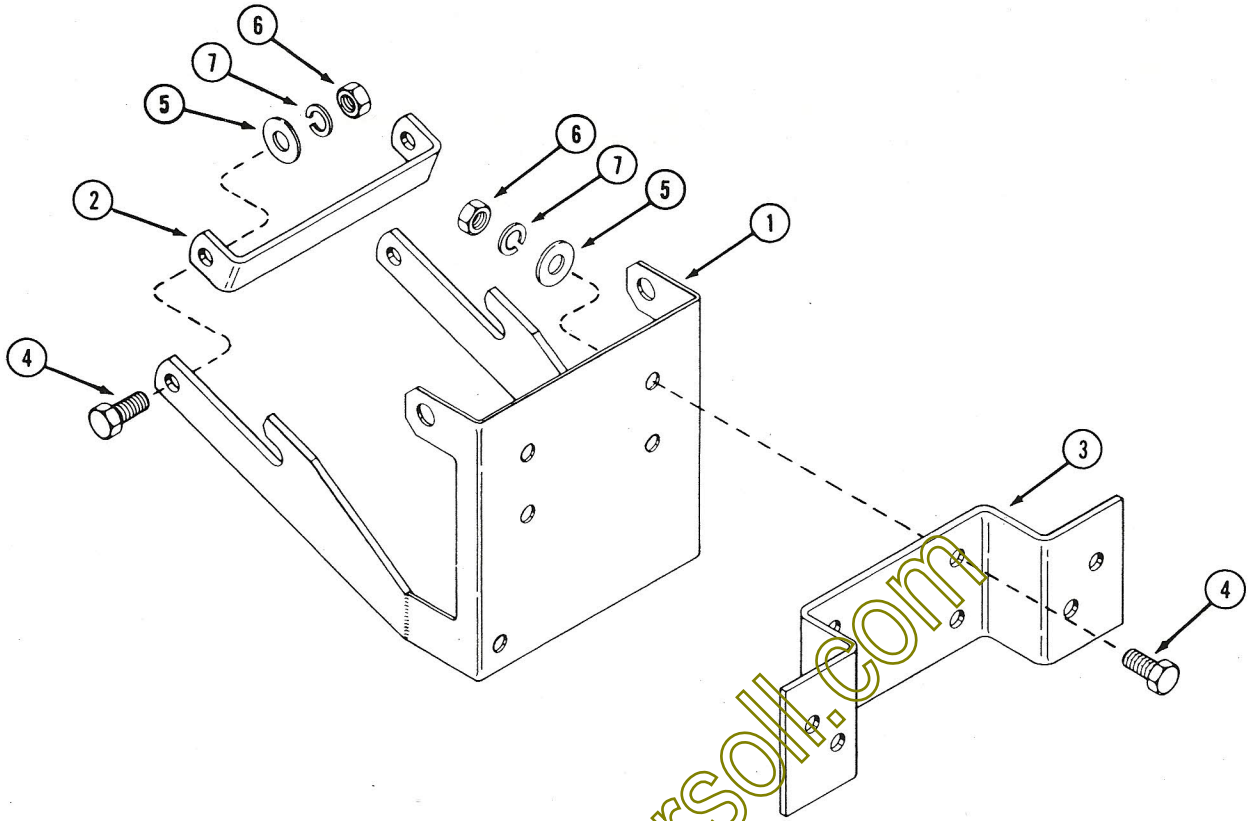


casecoltingersoll.com

K10 WHEEL WEIGHTS

REF.	PART NO.	DESCRIPTION	REQ'D
1	NSS	WEIGHT - wheel, 75 lb. (order as machinery item)	2
2	131- 1182	NUT - 1/2" N.C. hex	4
3	195- 533	WASHER - 1/2"	8
4	111- 525	BOLT - 1/2" x 6" round head, square neck	8

casecoltingersoll.com



H18 FRONT END WEIGHT BRACKETS

REF.	PART NO.	DESCRIPTION	REQ'D
1	C 16581	BRACKET - mounting	1
2	C 17161	BRACE - rear	1
3	C 17162	BRACKET - weight mounting	1
4	113- 417	BOLT - 1/2" x 1-1/2" N.C. hex, zinc	6
5	195- 533	WASHER - 1/2" zinc	6
6	129- 105	NUT - 1/2" N.C. hex, zinc	6
7	192- 23	LOCK WASHER - 1/2"	6

H13 WEIGHT BOX

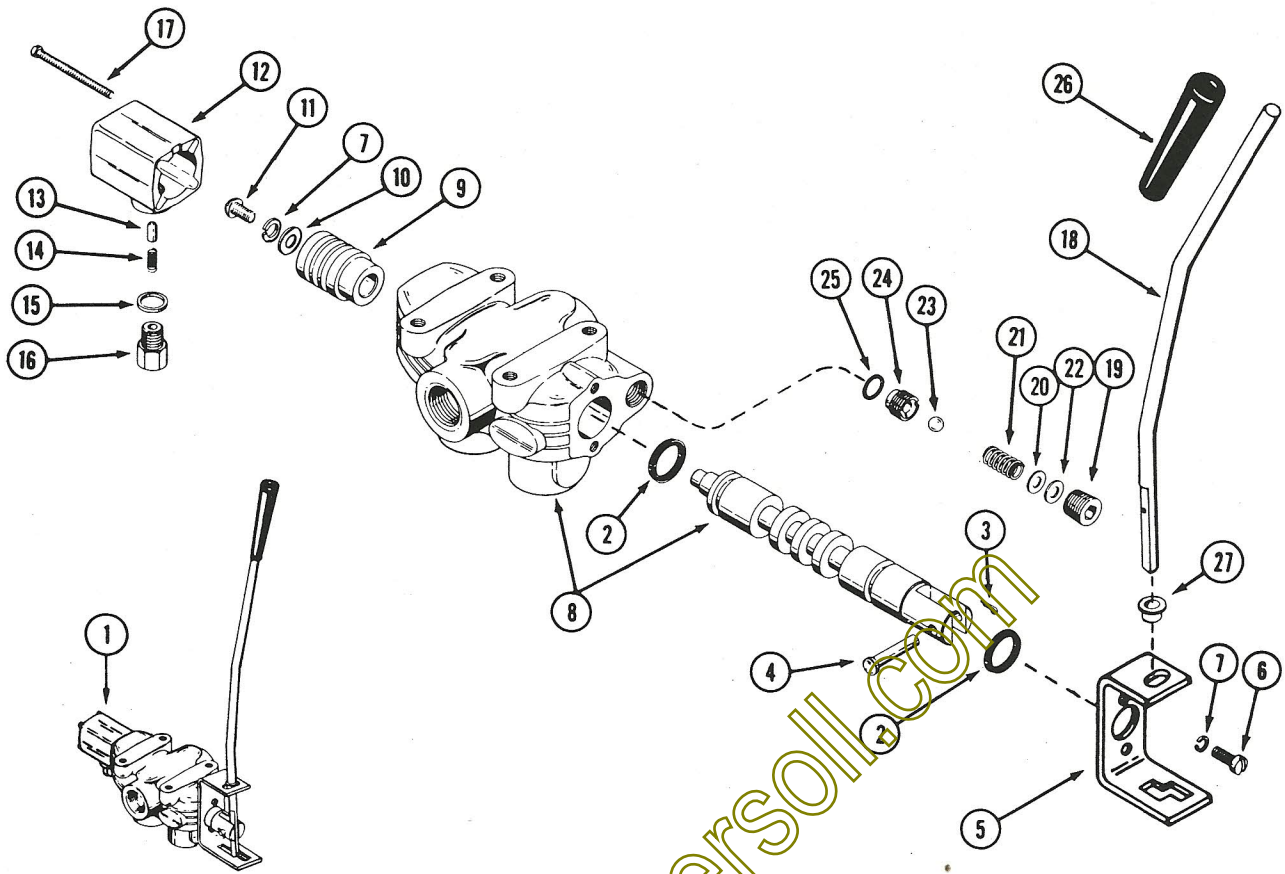
1	C 17859	FRAME - weight box	1
2	C 17863	BOX - weight	1
3	C 17860	SUPPORT - weight box	1
4	C 17636	PLATE - hitch	1
5	111- 371	BOLT - 3/8" x 1" round head, square neck	3
6	113- 207	BOLT - 3/8" x 1" N.C. hex	4
7	129- 103	NUT - 3/8" N.C. hex	7
8	192- 21	LOCK WASHER - 3/8"	7
9	195- 525	WASHER - 3/8"	7

casecoltingersoil.com

L17 HYDRAULIC PTO KIT

REF.	PART NO.	DESCRIPTION	REQ'D
1	C 30044	VALVE - PTO control	1
2	218- 457	FITTING - straight 3/4" NPT x 5/8" tube	1
3	218- 494	FITTING - elbow 90 degrees, 3/4" NPT x 5/8" tube	1
4	218- 927	FITTING - elbow 90 degrees, 1/2" NPT x 1/2" female swivel	2
5	C 23337	BRACKET - valve mounting	1
6	113- 206	BOLT - 3/8" x 3/4" N.C. hex	4
7	192- 21	LOCK WASHER - 3/8"	4
8	C 25343	TUBE - PTO valve to travel control valve	1
9	C 25344	TUBE - pump to PTO valve	1
10	218- 5232	FITTING - 90 degrees swivel elbow flare 3/4" NPT x 5/8" tube	1
11	113- 103	BOLT - 5/16" x 1" N.C. hex	2
12	195- 521	WASHER - 5/16"	2
13	192- 20	LOCK WASHER - 5/16"	2

casecoltingersoll.com



L17 HYDRAULIC PTO VALVE

REF.	PART NO.	DESCRIPTION	REQ'D
1	C 30044	VALVE - control	1
2	C 11891	SEAL - "U" cup	2
3	132- 5	PIN - cotter 1/16" x 1/2"	1
4	C 28875	PIN - handle	1
5	C 19422	BRACKET - handle	1
6	169- 145	SCREW - 1/4" x 5/8" N.C. special head	2
7	C 28873	LOCK WASHER - 1/4"	3
8	NSS	BODY AND SPOOL ASSEMBLY - (use C30044) valve	1
9	C 11895	ADAPTER - spool	1
10	195- 102	WASHER - plain 1/4"	1
11	75- 48	SCREW - 1/4" x 1/2" round head	1
12	C 11893	COVER - detent	1
13	C 11901	PIN - detent	1
14	C 11892	SPRING - detent	1
15	C 11886	WASHER - detent spring	1
16	C 11887	CAP - detent	1
17	169- 88	SCREW - cover no. 8 - 32 x 2-1/4" fillister head	4
18	C 19423	LEVER - valve	1
19	221- 842	PLUG - relief 3/8" pipe thread	1
20	C 28700	SHIM - .010" (0.25 mm) thick	UAR
21	C 28716	SPRING - relief	1
22	C 28698	SHIM - .020" thick (0.51 mm)	UAR
23	211- 11	BALL - relief 3/8" (9.53 mm)	1
24	C 18417	SEAT - relief	1
25	C 28696	"O" RING - relief seat	1
26	C 28237	KNOB - hand throttle	1
27	C 26266	BUSHING - nylon	1

casecoltingersoil.com

M19 FLOW CONTROL VALVE KIT

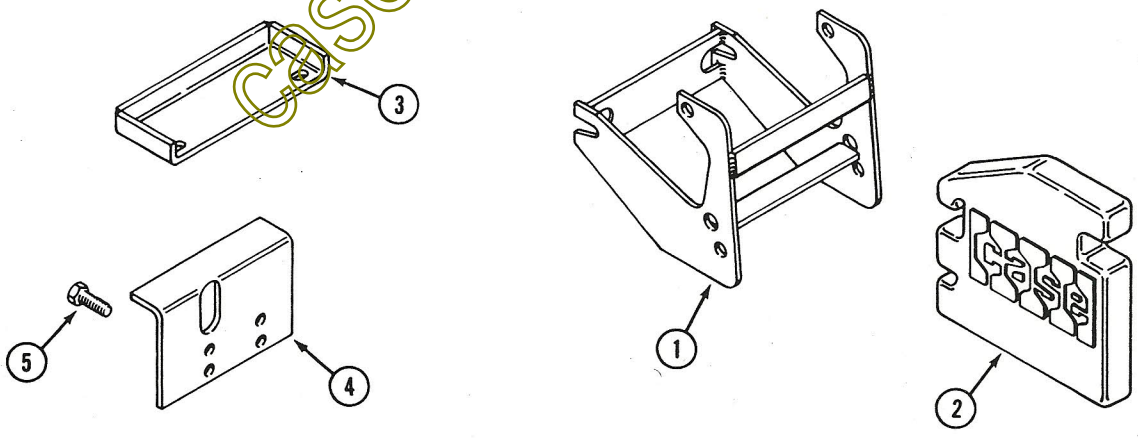
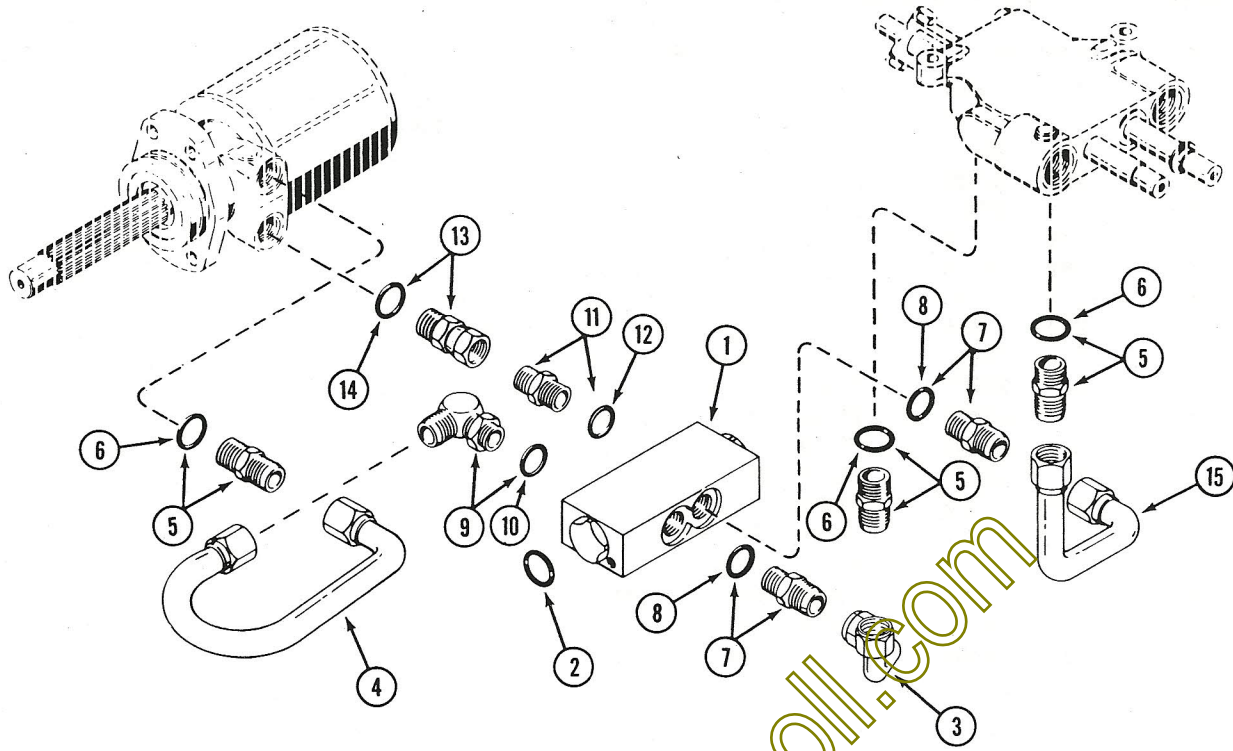
REF.	PART NO.	DESCRIPTION	REQ'D
1	C 23618	VALVE - flow control	1
	C 28217	"O" RING - shaft 3/4" I.D. x 15/16" O.D. x 3/32"	2
	C 28710	RING - snap	2
2	C 18720	LEVER - valve	1
3	C 28251	KNOB - lever	1
4	113- 15	BOLT - 1/4" x 2-1/4" NC hex	2
5	131- 1180	NUT - lock 1/4" NC hex	4
6	218- 485	FITTING - elbow 90 degree 1/2" pipe thread	2
7	218- 445	FITTING - straight 1/2" pipe thread	1
8	C 25390	TUBE - flow control valve to tube	1
9	C 23407	TUBE - bypass port to return line	1
10	C 23600	TUBE - valve to tractor valve	1
11	C 26181	TUBE - heat exchanger	1
12	C 18721	HOSE - return	1
13	214- 254	CLAMP - hose	2
14	C 25392	TUBE - PTO valve to tube	1
15	C 25391	PLATE - adapter	2
16	113- 2	BOLT - 1/4" - 20 x 5/8"	2
	C 18719	DECAL - valve, "slow/fast" (English)	1
	321- 4699	DECAL - valve, "slow/fast" (French)	1

casecoltingersoll.com

M19 FLOW CONTROL VALVE KIT

REF.	PART NO.	DESCRIPTION	REQ'D
1	C 23618	VALVE - flow control	1
	C 28217	"O" RING - shaft 3/4" I.D. x 15/16" O.D. x 3/32"	2
	C 28710	RING - snap	2
2	C 18720	LEVER - valve	1
3	C 28251	KNOB - lever	1
4	113- 15	BOLT - 1/4" x 2-1/4" NC hex	2
5	131- 1180	NUT - lock 1/4" NC hex	4
6	218- 485	FITTING - elbow 90 degree 1/2" pipe thread	2
7	218- 445	FITTING - straight 1/2" pipe thread	1
8	C 25390	TUBE - flow control valve to tube	1
9	C 23407	TUBE - bypass port to return line	1
10	C 23600	TUBE - valve to tractor valve	1
11	C 26181	TUBE - heat exchanger	1
12	C 18721	HOSE - return	1
13	214- 254	CLAMP - hose	2
14	C 25392	TUBE - PTO valve to tube	1
15	C 25391	PLATE - adapter	2
16	113- 2	BOLT - 1/4" - 20 x 5/8"	2
	C 18719	DECAL - valve, "slow/fast" (English)	1
	321- 4699	DECAL - valve, "slow/fast" (French)	1

casecoltingersoll.com



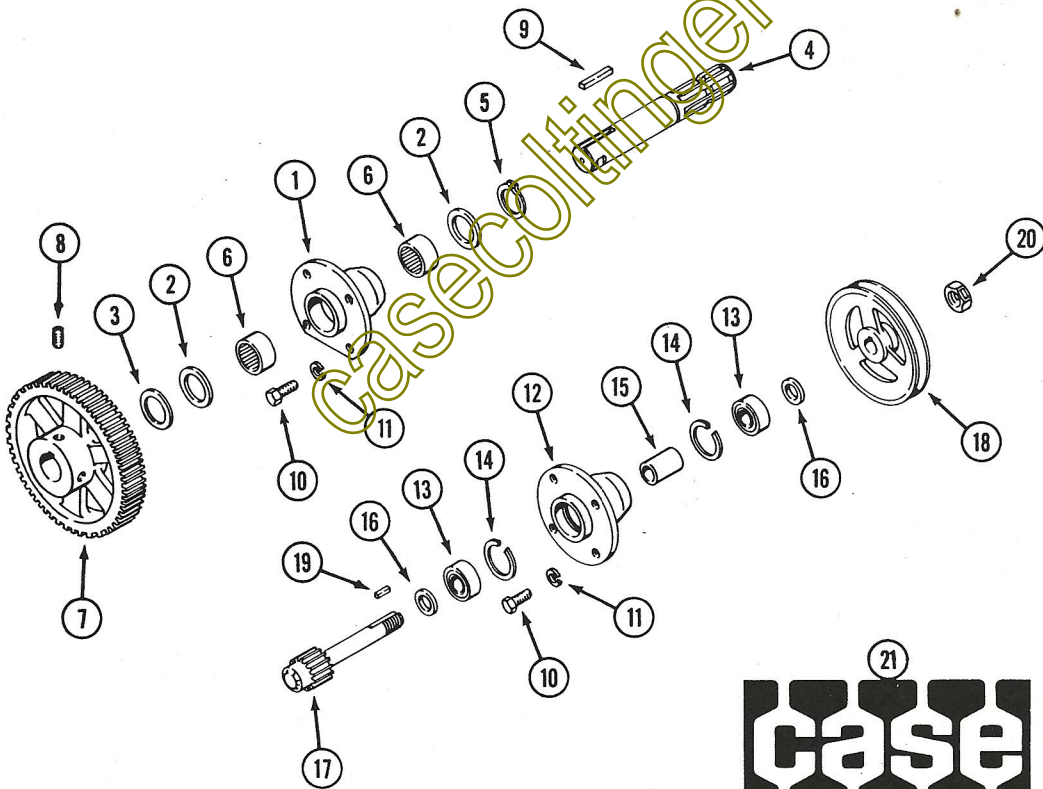
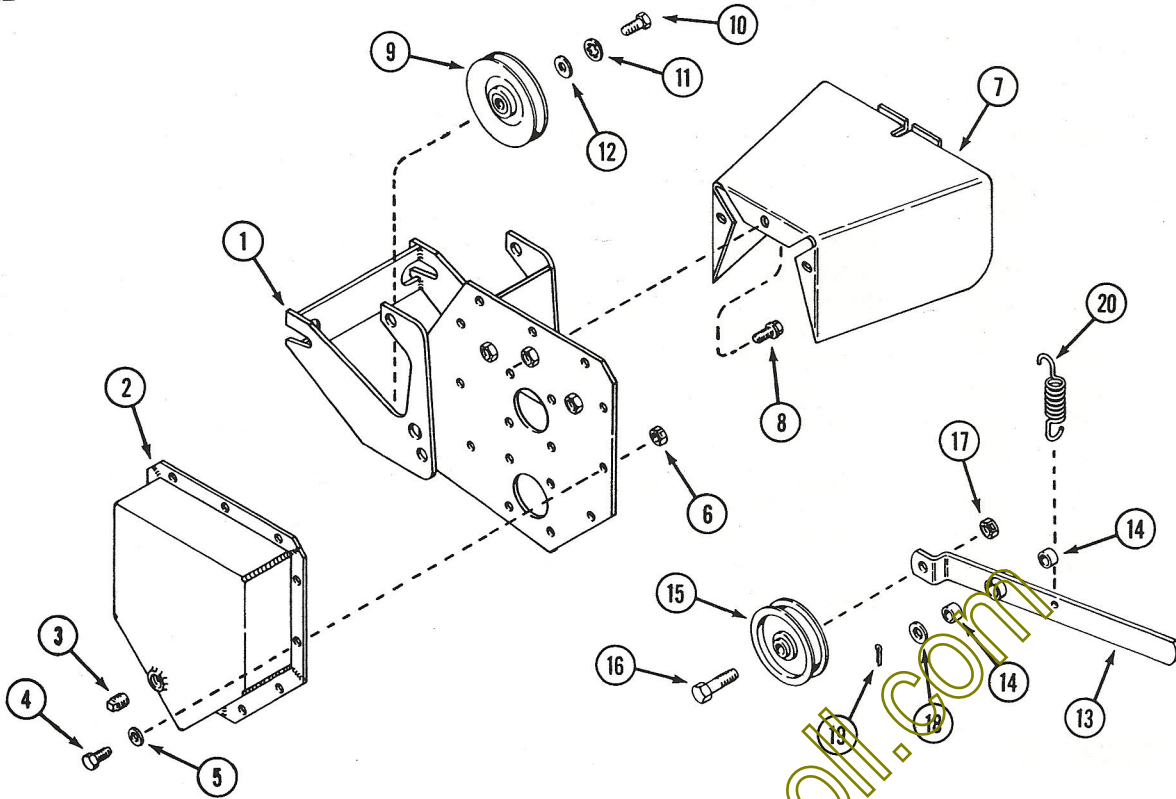
M9 HOLDING VALVE

REF.	PART NO.	DESCRIPTION	REQ'D
1	C 24995	VALVE - holding	1
2	C 28487	"O" RING - end caps	2
3	NSS	TUBE - valve to valve (use C27806, 218-5107, 218-5117)	1
4	C 24994	TUBE - valve to motor	1
5	218- 5062	CONNECTOR - straight, male	3
6	218- 5007	"O" RING	1
7	218- 5066	CONNECTOR - straight, male	2
8	218- 5006	"O" RING	1
9	218- 5117	ELBOW - adjustable	1
10	218- 5006	"O" RING	1
11	NSS	CONNECTOR - straight, male (use 218-5254, 218-5406)	1
12	218- 5006	"O" RING	1
13	218- 5251	CONNECTOR - straight, male/female swivel	1
14	218- 5007	"O" RING	1
15	C 25341	TUBE - valve to valve	1

L11 WEIGHT KIT

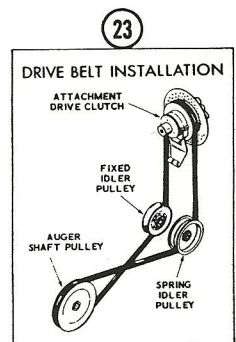
1	C 25572	BRACKET - mounting, front	1
2	C 25574	WEIGHT - 40 lb. (18 kg.)	4
3	C 25791	BRACKET - mounting, rear, upper	1
4	C 25792	BRACKET - mounting, rear, lower	1
5	113- 417	BOLT - 1/2" - 13 x 1-1/4" hex	2

casecoltingersoll.com



22 **WARNING**

ROTATING MACHINE PARTS
STAY CLEAR, KEEP
SHIELDS INSTALLED TO HELP
PROTECT FROM CLOTHING
ENTANGLEMENT AND INJURY.



L29 PTO MOUNTING FRAME, SHIELD, IDLERS AND GEAR COVER

REF.	PART NO.	DESCRIPTION	REQ'D
1	C 25800	FRAME - mounting.....	1
2	C 25815	COVER - gear.....	1
3	221- 844	PLUG - oil 1/2".....	1
3	221- 3	PLUG - oil 3/8".....	2
4	113- 3	BOLT - 1/4" - 20 x 3/4" hex.....	9
5	195- 521	WASHER - 5/16".....	9
6	131- 1180	NUT - 1/4" - 20 hex.....	9
7	C 25817	SHIELD - PTO.....	1
8	121- 106	BOLT - 5/16" - 18 x 1/2", special.....	3
9	C 25370	PULLEY - "V" groove.....	1
10	113- 206	BOLT - 3/8" - 16 x 3/4".....	1
11	193- 68	LOCK WASHER - special.....	1
12	195- 103	WASHER - 3/8".....	1
13	C 25822	ARM - idler.....	1
14	C 28308	BUSHING - sleeve.....	2
15	C 26090	PULLEY - flat idler.....	1
16	113- 412	BOLT - 1/2" - 13 x 1-3/4" hex.....	1
17	131- 165	NUT - 1/2" lock, hex.....	1
18	195- 541	WASHER - 5/8".....	1
19	132- 318	PIN - cotter 5/32" x 1".....	1
20	C 16870	SPRING - tension.....	1

L29 SPINDLES, DECALS AND BELT

1	C 25806	HOUSING - PTO shaft.....	1
2	C 25807	WASHER - thrust.....	2
3	195- 2131	WASHER - spacer.....	1
4	C 25808	SHAFT - spline.....	1
5	C 28258	RING - retainer.....	1
6	C 25828	BEARING - roller.....	2
7	C 25814	GEAR - driven.....	1
8	83- 68	SET SCREW - 3/8".....	2
9	C 28260	KEY - 5/16" x 2".....	1
10	113- 206	BOLT - 3/8" - 16 x 3/4" hex.....	8
11	192- 21	LOCK WASHER - 3/8".....	8
12	C 17666	HOUSING - spindle.....	1
13	C 28971	BEARING.....	2
14	C 16516	RING - retaining.....	2
15	C 10810	SPACER - bearing.....	1
16	C 25541	WASHER - spacer.....	2
17	C 25810	SPINDLE - input.....	1
18	C 25813	PULLEY - spindle.....	1
19	C 28300	KEY - 3/16" square x 7/8".....	1
20	131- 1331	NUT - 3/4" - 16 lock, hex.....	1
21	321- 6379	DECAL - "Case".....	1
22	C 28354	DECAL - "Warning" (English).....	1
22	321- 6647	DECAL - "Warning" (French).....	1
23	321- 4745	DECAL - drive belt (French).....	1
23	C 17462	DECAL - drive belt (English).....	1
	C 23539	BELT - drive (446, 448).....	1

NUMERICAL INDEX

PART NO.	PAGE NO.	REF. NO.	PART NO.	PAGE NO.	REF. NO.	PART NO.	PAGE NO.	REF. NO.
A62079	23	2	C14838	41	16	C17443	49	18
C10657	23	1	C14872	67	1	C17443	53	31
C10810	83	15	C14906	25	11	C17443	53	31
C10898	69	4	C14970	57	33	C17444	49	19
C11529	23	5	C14970	67	10	C17444	51	19
C11545	23	6	C14976	65	3	C17444	53	19
C11886	77	15	C14991	65	9	C17444	53	19
C11887	77	16	C15036	43	21	C17462	83	23
C11891	77	2	C15036	45	21	C17636	73	4
C11893	77	12	C15096	35	16	C17666	83	12
C11895	77	9	C15410	29	14	C17732	57	32
C11901	77	13	C15410	31	9	C17734	57	5
C12102	33	22	C15515	27	7	C17859	73	1
C12110	37	5	C15557	27	8	C17860	73	3
C12552	55	26	C15731	43	4	C17863	73	2
C12713	55	2	C15731	45	4	C18014	35	2
C12718	55	36	C15732	43	5	C18017	35	21
C12725	55	21	C15732	45	5	C18086	61	26
C12975	33	10	C15733	43	6	C18113	59	14
C12975	35	20	C15733	45	6	C18147	37	7
C13106	33	8	C15734	43	7	C18153	29	11
C13106	35		C15734	45	7	C18251	57	3
C13106	37		C15735	43	8	C18382	41	6
C13106	57		C15735	45	8	C18417	77	24
C13196	55	16	C15737	43	10	C18719	79	
C13197	55	17	C15737	45	10	C18720	79	2
C13200	49	12	C15738	43	11	C18721	79	12
C13241	55	5	C15738	45	11	C18742	41	6
C13266	55	7	C15739	43	12	C18742	57	18
C13360	49	1	C15739	45	12	C18797	39	21
C13385	55	6	C15740	43	13	C18813	33	1
C13605	33	23	C15740	45	13	C18847	51	35
C13716	33	6	C16128	65	20	C18851	49	
C14168	55	23	C16133	57	30	C18851	51	
C14200	35	6	C16164	37	6	C18892	77	14
C14201	35	7	C16361	29	31	C18916	39	6
C14222	55	39	C16362	29	12	C18916	45	17
C14223	55	37	C16373	29	24	C19025	41	8
C14304	61	7	C16393	31	17	C19025	57	20
C14459	69	5	C16429	31	7	C19040	41	2
C14534	31	12	C16516	41	1	C19041	41	14
C14537	59	8	C16516	83	14	C19104	57	31
C14553	59	17	C16581	73	1	C19115	43	16
C14565	59	4	C16616	27	1	C19115	45	16
C14568	67	2	C16786	27	13	C19207	45	15
C14568	69	9	C16870	83	20	C19207	45	9
C14644	55	24	C16945	35	1	C19212	41	17
C14655	39	35	C17066	31	20	C19378	59	7
C14655	41		C17152	31	14	C19417	31	6
C14690	23	8	C17161	73	2	C19422	77	5
C14703	65	16	C17162	73	3	C19423	77	18
C14709	65	17	C17216	31	19	C19469	67	8
C14710	65	18	C17224	57	28	C19476	67	7
C14712	65		C17249	57	6	C19521	61	
C14715	65	8	C17250	57	7	C19661	57	1
C14717	65	15	C17300	45	18	C19740	65	1
C14722	65	3	C17433	49	8	C19740	65	1
C14724	65	4	C17433	51	8	C19767	25	15
C14725	65	14	C17433	53	8	C19867	25	12
C14728	31	16	C17435	49	9	C20039	25	14
C14729	29	20	C17435	51	9	C20053	25	7
C14827	41	4	C17435	53	9	C20093	25	5
C14828	41	7	C17438	49	17	C20202	9	16
C14829	41	8	C17438	51	17	C20203	9	16
C14830	41	9	C17438	53	17	C20204	9	16
C14831	41	10	C17438	53	17	C20205	9	16
C14836	41	15	C17439	49	11	C20215	9	19
C14837	41	5	C17440	49	14	C20218	9	24

NUMERICAL INDEX

PART NO.	PAGE NO.	REF. NO.	PART NO.	PAGE NO.	REF. NO.	PART NO.	PAGE NO.	REF. NO.
C20219	9	25	C20376	17	13	C22278	33	5
C20223	9	2	C20387	5	1	C22316	37	1
C20226	9	6	C20389	5	3	C22500	9	26
C20229	9	8	C20393	5	17	C22568	33	19
C20233	9	11	C20396	5	11	C22571	59	18
C20241	9	14	C20397	5	25	C22571	61	
C20243	11	20	C20398	5	24	C22573	61	8
C20244	11	21	C20399	5	22	C22618	11	5
C20245	11	22	C20405	5	23	C22619	11	36
C20247	11	24	C20407	5	20	C22620	11	36
C20248	11	25	C20411	5	14	C22621	11	36
C20250	11	26	C20412	13	45	C22622	11	36
C20251	11	28	C20425	7	3	C22631	15	1
C20256	11	3	C20426	7	4	C22632	15	3
C20267	11	6	C20427	7	5	C22633	15	16
C20268	11	7	C20428	7	6	C22637	55	14
C20269	11	8	C20429	7	7	C22638	55	12
C20270	11	9	C20430	7	8	C22947	5	
C20271	11	10	C20431	7	9	C22947	39	36
C20272	11	11	C20432	7	10	C22992	33	13
C20274	17	6	C20433	7	11	C23002	59	11
C20276	11	40	C20434	7	12	C23012	61	2
C20277	13	40	C20435	7	13	C23033	27	12
C20278	17	7	C20436	7	14	C23300	5	12
C20283	13	43	C20437	7	15	C23304	9	10
C20285	13	43	C20438	7	16	C23320	15	11
C20287	11	14	C20439	7	17	C23321	15	21
C20288	13	44	C20440	7	18	C23326	39	19
C20289	13	44	C20441	7	19	C23330	61	1
C20290	13	44	C20443	7	21	C23337	75	5
C20291	13	44	C20444	7	22	C23407	79	9
C20292	11	16	C20445	7	23	C23482	47	1
C20293	13	46	C20446	7	24	C23527	23	7
C20294	13	47	C20447	7	25	C23527	29	5
C20295	11	17	C20448	7	26	C23539	83	
C20296	13	48	C20449	7	27	C23558	47	5
C20297	13	48	C20450	7	28	C23559	47	6
C20298	13	48	C20470	11	40	C23573	29	4
C20299	13	48	C20471	13	40	C23580	21	10
C20302	11	18	C20517	11	39	C23581	21	9
C20303	9	20	C20565	15	41	C23600	79	10
C20305	15	2	C20574	11	31	C23618	79	1
C20307	15	4	C20574	15	29	C23624	27	16
C20309	15	6	C20577	15	37	C23625	27	18
C20310	15	7	C21506	49	22	C23627	27	15
C20312	15	9	C21506	51	22	C23630	27	17
C20313	15	10	C21506	53	22	C23686	21	12
C20320	15	17	C21507	49	7	C23740	27	10
C20322	15	19	C21507	51	7	C23854	19	3
C20325	15	30	C21507	53	7	C23883	37	16
C20330	15	33	C21508	49	24	C23899	37	14
C20331	15	28	C21509	49	23	C23909	37	10
C20333	17	9	C21510	49	25	C23910	37	11
C20334	17	10	C21511	49		C24069	61	23
C20335	17	11	C21511	51		C24098	35	18
C20336	17	13	C21511	53		C24137	29	3
C20337	17		C21518	41	5	C24296	21	8
C20344	19	16	C21518	57	15	C24325	9	28
C20345	19	11	C21526	33	18	C24326	9	3
C20347	19	12	C21527	33	17	C24433	37	3
C20349	59	22	C21529	33	21	C24438	37	1
C20359	17	1	C21857	37	9	C24447	65	
C20360	17	2	C21989	59	12	C24665	7	
C20361	17	3	C22023	29	6	C24666	7	
C20369	17	4	C22218	69	1	C24703	21	1
C20371	17	6	C22261	9	7	C24741	27	2
C20372	17	8	C22262	9	29	C24761	37	15
C20375	17	12	C22264	9	31	C24802	55	22

NUMERICAL INDEX

PART NO.	PAGE NO.	REF. NO.	PART NO.	PAGE NO.	REF. NO.	PART NO.	PAGE NO.	REF. NO.
C24803	55	4	C25317	29	17	C26145	13	41
C24804	55	3	C25318	29	17	C26146	13	42
C24809	59	3	C25333	39	10	C26181	79	11
C24813	59	6	C25334	39	11	C26182	39	23
C24814	59	5	C25338	19	24	C26188	57	25
C24815	59	2	C25338	59	30	C26188	65	2
C24818	39	15	C25341	81	15	C26191	15	36
C24820	29	25	C25343	75	8	C26201	11	32
C24821	29	2	C25344	75	9	C26202	5	5
C24822	29	29	C25368	67	4	C26207	21	5
C24827	39	20	C25369	67	3	C26255	21	9
C24843	55		C25370	83	9	C26255	39	1
C24861	43	3	C25371	69	2	C26264	25	19
C24861	45	3	C25376	39	12	C26266	25	13
C24862	43		C25382	69	8	C26266	25	20
C24863	43		C25383	9	16	C26266	77	27
C24864	43		C25384	9	16	C26278	39	7
C24865	43		C25385	9	16	C26278	45	1
C24872	25	3	C25386	9	16	C26325	35	2
C24896	59	27	C25389	15	38	C26326	35	4
C24898	59	1	C25390	79	8	C26342	55	15
C24927	5	7	C25391	79	15	C26353	27	9
C24929	5	13	C25392	79	14	C26381	37	2
C24931	9	12	C25419	47	1	C26382	51	32
C24932	9	12	C25422	47	3	C26431	49	13
C24933	9	12	C25423	29	4	C26456	39	12
C24934	9	12	C25486	59	32	C26506	29	29
C24935	9	12	C25489	21	1	C26508	17	
C24936	9	12	C25490	21	2	C26656	63	12
C24938	9	15	C25541	83	16	C26657	63	12
C24939	9	15	C25563	59	27	C26663	49	26
C24940	9	15	C25564	59	1	C26663	51	26
C24941	9	15	C25572	81	1	C26663	53	26
C24942	9	15	C25574	81	2	C26664	49	29
C24943	9	5	C25603	23	1	C26664	51	29
C24946	11	13	C25704	23	3	C26664	53	24
C24947	11	19	C25774	9	17	C26665	49	28
C24948	11	27	C25775	9	18	C26665	51	28
C24949	11	33	C25776	9	26	C26665	53	23
C24950	11	34	C25777	11	19	C26666	49	30
C24951	17	18	C25778	17	19	C26666	51	30
C24952	17	19	C25779	17	20	C26666	53	25
C24953	17	20	C25784	39	12	C26667	51	33
C24955	19	17	C25785	39	14	C26668	51	11
C24955	59	25	C25787	35	23	C26668	53	11
C24956	19	22	C25789	69	5	C26703	5	21
C24956	59	20	C25791	81	3	C26900	39	37
C24958	15	12	C25792	81	4	C26941	29	1
C24994	81	4	C25800	83	1	C27217	53	
C24995	81	1	C25806	83	1	C27217	57	26
C25013	25	9	C25807	83	2	C27219	53	29
C25022	37	4	C25808	83	4	C27219	53	29
C25048	41	3	C25810	83	17	C27506	7	20
C25071	21	2	C25813	83	18	C27507	5	2
C25073	21	7	C25814	83	7	C27508	29	8
C25100	19	10	C25815	83	2	C27509	59	31
C25164	47	7	C25817	83	7	C27593	41	2
C25209	39	6	C25822	83	13	C27593	57	12
C25209	43	17	C25828	83	6	C27751	59	16
C25223	11	1	C25845	19	20	C27755	37	8
C25225	13		C25845	59	24	C27763	37	2
C25227	19	23	C25855	33	24	C27822	41	4
C25237	39	16	C25857	33	25	C27822	57	16
C25254	55	38	C26021	37	7	C28003	53	
C25258	55	28	C26028	31	22	C28033	21	6
C25303	31	15	C26066	31	1	C28034	21	7
C25304	31	15	C26090	83	15	C28215	43	15
C25306	37	22	C26108	59	21	C28215	43	9

NUMERICAL INDEX

PART NO.	PAGE NO.	REF. NO.	PART NO.	PAGE NO.	REF. NO.	PART NO.	PAGE NO.	REF. NO.
C28217	79		C28965	37	6	113- 17	61	28
C28222	65	13	C28968	21	3	113- 65	5	9
C28226	33	11	C28971	83	13	113- 102	35	11
C28237	25	1	C28978	37	19	113- 103	15	34
C28237	41	1	C28985	65	12	113- 103	17	23
C28237	57	11	C28987	47	8	113- 103	75	11
C28237	77	26	C29031	63	2	113- 111	43	14
C28241	55	18	C29283	47	1	113- 111	45	14
C28251	79	3	C29408	57	10	113- 113	29	18
C28258	83	5	C29409	25	18	113- 118	31	4
C28260	83	9	C29413	59	9	113- 118	47	2
C28281	55	8	C29733	17	22	113- 118	65	10
C28288	25	22	C29733	59	19	113- 120	15	31
C28300	83	19	C29734	15	20	113- 121	5	6
C28308	83	14	C29735	27	11	113- 122	31	11
C28315	9	23	C29736	19	9	113- 132	11	38
C28321	39	5	C29739	9	15	113- 204	13	49
C28354	83	22	C29752	19	19	113- 206	35	13
C28487	57	34	C29811	27	19	113- 206	39	2
C28487	67	11	C29948	5	16	113- 206	75	6
C28487	81	2	C29972	9	13	113- 206	83	10
C28673	59	25	C29973	9	30	113- 206	83	10
C28677	27	6	C29974	11	15	113- 207	25	8
C28696	77	25	C29976	13	43	113- 207	57	8
C28697	57	35	C29978	13	43	113- 207	57	21
C28697	67	12	C29984	13	13	113- 207	73	6
C28698	77	22	C29990	29		113- 208	11	4
C28699	49	1	C29990	59	23	113- 219	29	16
C28699	51	1	C29991	19	6	113- 241	35	25
C28699	53	1	C29992	19	13	113- 257	15	23
C28700	77	20	C29992	59	29	113- 321	9	22
C28701	41	13	C30029	55	9	113- 410	69	6
C28703	41	11	C30044	75	1	113- 412	83	16
C28705	51	14	C30044	77	1	113- 417	65	5
C28705	53	14	C30071	31	8	113- 417	69	14
C28706	51	13	C30268	59	15	113- 417	73	4
C28706	53	13	F53109	43	2	113- 417	81	5
C28707	51	12	F53109	45	2	113- 424	29	22
C28707	53	12	013- 48	5	18	113- 424	31	4
C28708	51	18	022- 844	69	13	113- 424	49	3
C28708	53	18	026- 526	11	30	113- 424	55	40
C28709	43	1	026- 532	11	29	113- 425	67	3
C28709	45	1	026- 544	15	32	113- 441	31	3
C28710	79	1	028- 680	55	34	113- 2262	37	12
C28711	43	5	041- 26	11	2	114- 200	15	18
C28711	45	5	061- 512	21	6	121- 3	17	15
C28712	43	7	061- 616	39	3	121- 21	55	20
C28712	45	7	062- 616	39	3	121- 106	31	13
C28713	43	10	075- 48	77	11	121- 106	83	8
C28713	45	10	083- 55	43	20	126- 9	9	9
C28714	43	8	083- 55	45	20	126- 13	9	1
C28714	45	8	083- 68	83	8	126- 16	35	17
C28715	43	14	092- 7	9	21	126- 128	55	13
C28715	45	14	111- 5	23	5	129- 13	61	21
C28716	77	21	111- 108	61	18	129- 17	23	7
C28718	43	2	111- 139	61	12	129- 37	61	15
C28718	45	2	111- 202	61	17	129- 101	5	19
C28719	17	5	111- 371	73	5	129- 101	17	25
C28720	5	4	111- 525	71	4	129- 101	21	5
C28721	13		113- 1	21	3	129- 101	29	28
C28856	49	4	113- 1	29	26	129- 101	61	11
C28856	51	4	113- 1	47	4	129- 102	21	4
C28856	53	4	113- 1	61	9	129- 102	61	19
C28873	77	7	113- 2	79	16	129- 103	35	26
C28874	41	12	113- 3	61	24	129- 103	73	7
C28875	77	4	113- 3	83	4	129- 105	69	10
C28932	61	6	113- 4	15	25	129- 105	73	6
C28949	39	34	113- 15	79	4	129- 122	41	7

NUMERICAL INDEX

PART NO.	PAGE NO.	REF. NO.	PART NO.	PAGE NO.	REF. NO.	PART NO.	PAGE NO.	REF. NO.
129- 122	57	19	169- 131	17	11	195- 513	19	2
129- 125	27	14	169- 145	77	6	195- 521	41	9
129- 143	37	13	173- 210	19	14	195- 521	51	31
129- 148	35	8	182- 10	61	20	195- 521	53	28
129- 162	61	14	182- 49	17	7	195- 521	53	28
129- 165	33	15	182- 84	15	5	195- 521	57	17
129- 166	49	27	182- 246	39	30	195- 521	75	12
129- 166	51	27	182- 520	19	1	195- 521	83	5
129- 166	53	27	182- 525	5	26	195- 525	29	10
129- 365	33	16	182- 525	15	39	195- 525	31	18
129- 531	49	10	182- 545	19	4	195- 525	73	9
129- 531	51	10	182- 547	9	27	195- 533	25	2
129- 531	53	10	187-1036	21	8	195- 533	37	17
131- 165	83	17	187-1147	17	25	195- 533	57	14
131- 176	65	11	187-1252	47	9	195- 533	71	3
131- 178	25	16	187-1334	61	4	195- 533	73	5
131- 351	39	31	187-1908	61	27	195- 541	35	29
131- 629	61	3	187-1910	33	12	195- 541	65	7
131-11113	35	3	192- 13	61	22	195- 541	69	3
131-11133	55	35	192- 16	19	5	195- 541	83	18
131-11180	79	5	192- 18	15	40	195- 545	69	11
131-11180	83	6	192- 18	19	18	195-2010	11	23
131-11181	29	9	192- 18	23	6	195-2027	17	17
131-11181	31	21	192- 19	5	10	195-2029	29	15
131-11181	57	9	192- 19	15	24	195-2029	35	24
131-11181	57	22	192- 19	17	8	195-2069	35	15
131-11182	71	2	192- 19	21	4	195-2131	83	3
131-1308	37	5	192- 19	29	27	195-2175	31	10
131-1318	29	7	192- 19	47	10	195-2175	35	9
131-1331	83	20	192- 19	55	19	211- 5	15	8
132- 5	77	3	192- 19	61	13	211- 5	51	36
132- 91	65	6	192- 20	5	8	211- 5	53	16
132- 306	69	12	192- 20	17	24	211- 7	49	16
132- 310	25	10	192- 20	29	19	211- 7	51	16
132- 310	37	18	192- 20	31	5	211- 7	53	30
132- 310	57	4	192- 20	35	10	211- 7	53	30
132- 310	65	4	192- 20	75	13	211- 11	77	23
132- 311	33	9	192- 21	11	12	211- 208	49	6
132- 318	83	19	192- 21	15	22	211- 208	51	6
132- 320	41	10	192- 21	35	14	211- 208	53	6
132- 320	57	13	192- 21	39	4	211- 216	9	4
132- 321	37	21	192- 21	73	8	211- 306	43	13
132- 334	29	13	192- 21	75	7	211- 306	45	13
136- 2	17	10	192- 21	83	11	214- 102	5	15
138- 59	65	19	192- 23	29	21	214- 254	39	13
138- 63	25	21	192- 23	31	5	214- 254	79	13
138- 96	25	6	192- 23	33	14	214- 259	19	15
138- 99	33	4	192- 23	49	2	214- 272	21	11
138- 143	35	28	192- 23	55	41	214- 274	23	9
138- 308	65	5	192- 23	69	7	218- 445	79	7
138-2072	41	11	192- 23	73	7	218- 457	75	2
138-2073	29	23	192- 402	19	8	218- 485	79	6
138-2073	37	3	192- 404	21	13	218- 494	75	3
138-2073	55	11	193- 29	61	25	218- 927	75	4
141- 54	37	20	193- 57	17	24	218-5006	39	22
163- 22	17	21	193- 57	29	30	218-5006	81	8
164- 41	27	4	193- 57	61	10	218-5006	81	10
165- 143	19	7	193- 68	83	11	218-5006	81	12
166- 32	43	15	193- 76	27	5	218-5007	39	9
166- 32	45	15	193- 99	61	16	218-5007	39	27
166- 86	29	22	193- 524	51	34	218-5007	39	33
166- 86	39	29	195- 14	17	9	218-5007	81	6
166- 86	55	40	195- 102	77	10	218-5007	81	14
169- 88	77	17	195- 103	83	12	218-5056	57	27
169- 114	49	20	195- 104	25	17	218-5062	39	32
169- 114	51	20	195- 104	39	24	218-5062	81	5
169- 114	53	20	195- 104	57	23	218-5065	39	8
169- 114	53	20	195- 137	35	27	218-5066	81	7

PART NO. -----	PAGE NO. -----	REF. NO. -----
218-5107	39	26
218-5117	81	9
218-5232	75	10
218-5251	81	13
218-5479	67	5
219- 17	33	20
219- 403	37	4
219- 404	33	7
219- 404	35	19
219- 404	57	2
219- 405	65	2
221- 3	83	3
221- 841	49	21
221- 841	51	21
221- 841	53	21
221- 842	77	19
221- 843	55	10
221- 844	15	15
221- 844	55	10
221- 844	83	3
221-1139	67	1
221-1190	15	26
221-1375	67	2
221-1377	15	27
221-1849	15	35
223- 20	59	28
321-1788	63	5
321-3585	63	1
321-4693	63	5
321-4696	63	6
321-4697	63	4
321-4699	79	
321-4728	63	2
321-4734	63	1
321-4745	83	23
321-4764	63	3
321-4767	63	3
321-5040	63	10
321-5097	63	11
321-5100	63	8
321-5101	63	9
321-5107	63	
321-5930	63	4
321-6379	83	24
321-6647	83	22
353- 462	25	4

casecoltingersoll.com

casecoltingersoll.com

casecoltingersoll.com

casecollecting.com