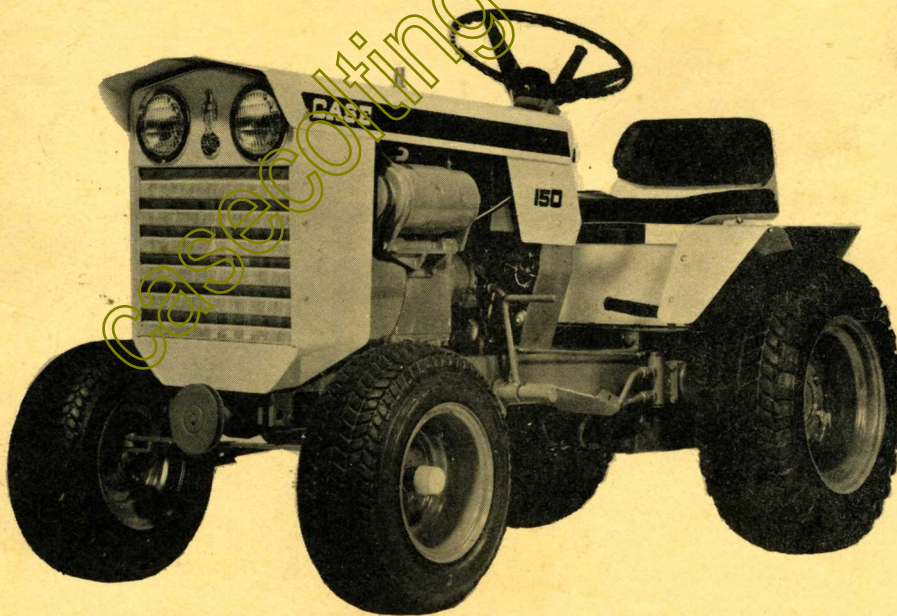


PARTS CATALOG NO. A977

**CASE**

150 AND 190 GARDEN TRACTORS



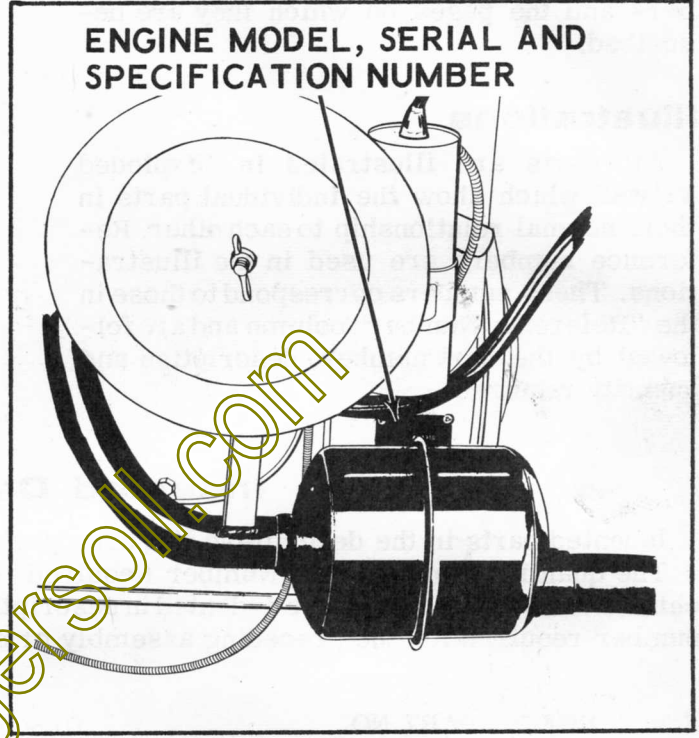
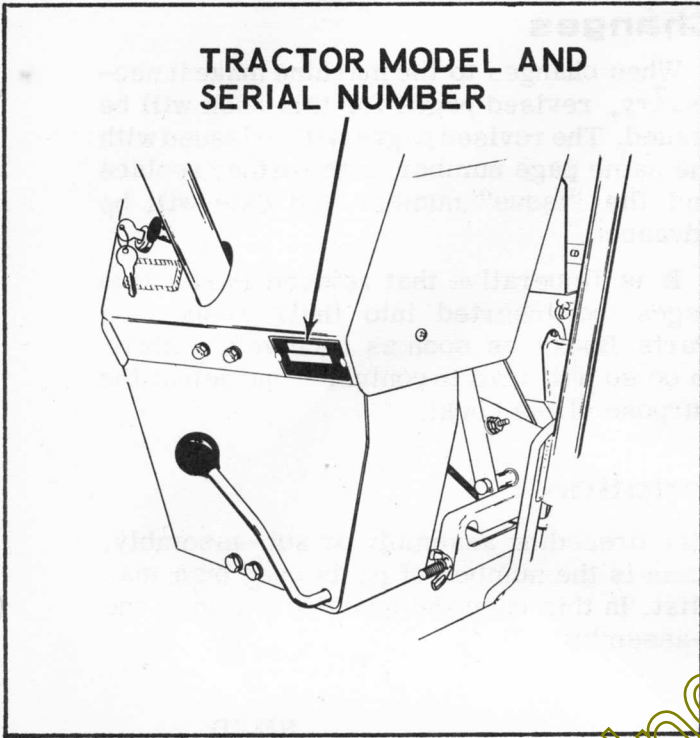
PRICE 75¢



J. I. CASE COMPANY  
Racine, Wisconsin, U.S.A.



**CASE 150 AND 190 GARDEN TRACTORS**



TRACTOR MODEL DESIGNATIONS	ENGINE MODEL DESIGNATIONS
150 TRACTOR	K241 A Engine
190 TRACTOR	K301 A Engine

**Serial Numbers**

When using this catalog, notice the reference to serial numbers of various components noted here and listed in the "description" copy. By referring to correct serial numbers, proper parts identification will be assured.

## Indexes

This Parts Catalog is arranged for easy identification of Genuine CASE Service Parts. An alphabetical index is provided at the front of this Catalog to locate the major groups or assemblies. A numerical index at the rear of the Catalog gives the part numbers and the pages on which they are described.

## Illustrations

All parts are illustrated in "Exploded Views" which show the individual parts in their normal relationship to each other. Reference numbers are used in the illustrations. These numbers correspond to those in the "Reference Number" column and are followed by the part number, description and quantity required.

## Orders

Orders should plainly specify correct part number, full description, quantity required, machine model and engine model, machine and engine serial numbers, method of shipment and shipping address.

## Changes

When changes to the machine make it necessary, revised pages for this book will be issued. The revised pages will be issued with the same page number as those they replace and the "issue" number and date will be advanced.

It is imperative that revised Parts Book pages be inserted into their respective Parts Books as soon as received. Failure to do so will lead to confusion and defeat the purpose of the book.

## Indented Description

Indented parts in the descriptive list are a part of the preceding assembly or sub-assembly. The quantity shown in the "Number Required" column is the number of parts used on a machine except where parts are indented in descriptive list. In this case the quantity shown is the number required for the preceding assembly or sub-assembly.

REF.	PART NO.	DESCRIPTION	REQ'D
	A 55159	CYLINDER ASSY - rear steering	1
28	A 56208	SOCKET ASSY - rear cylinder	1
29	A 55956	PLUG - adjusting, socket assy	1
30	A 55957	SEAT - socket ball	2
31	A 56210	SPRING - socket	1
32	A 56209	SEAT - socket spring	1
33	G 45175	CLAMP ASSY - socket assy	1
	16- 836	BOLT - 1/2" x 2-1/4" N.F.hex.	1
34	132- 104	PIN - cotter, 3/16" x 3"	1
35	A 55889	STUD - ball, socket & cylinder	2
36	13- 410	BOLT - 1/4" x 5/8" N.C., hex.	4
37	92- 4	LOCKWASHER - 1/4" SAE	4

## Terms "Right Hand" and "Left Hand"

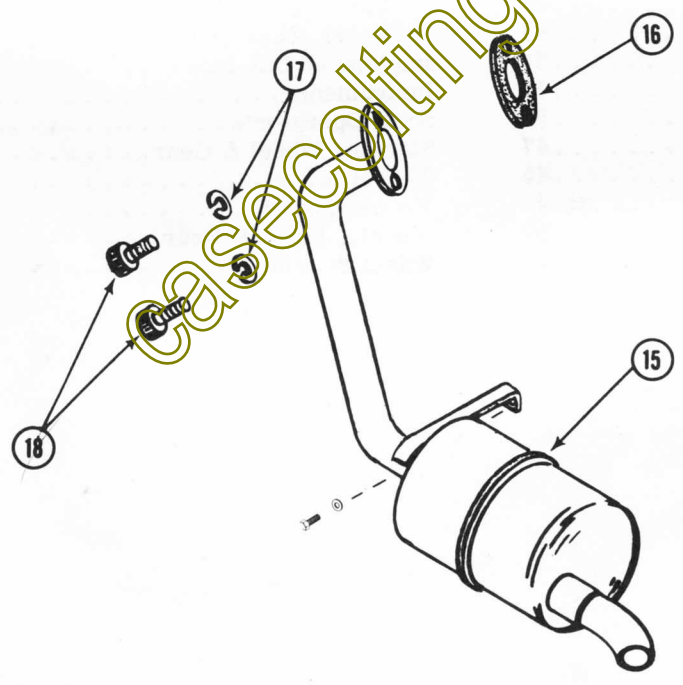
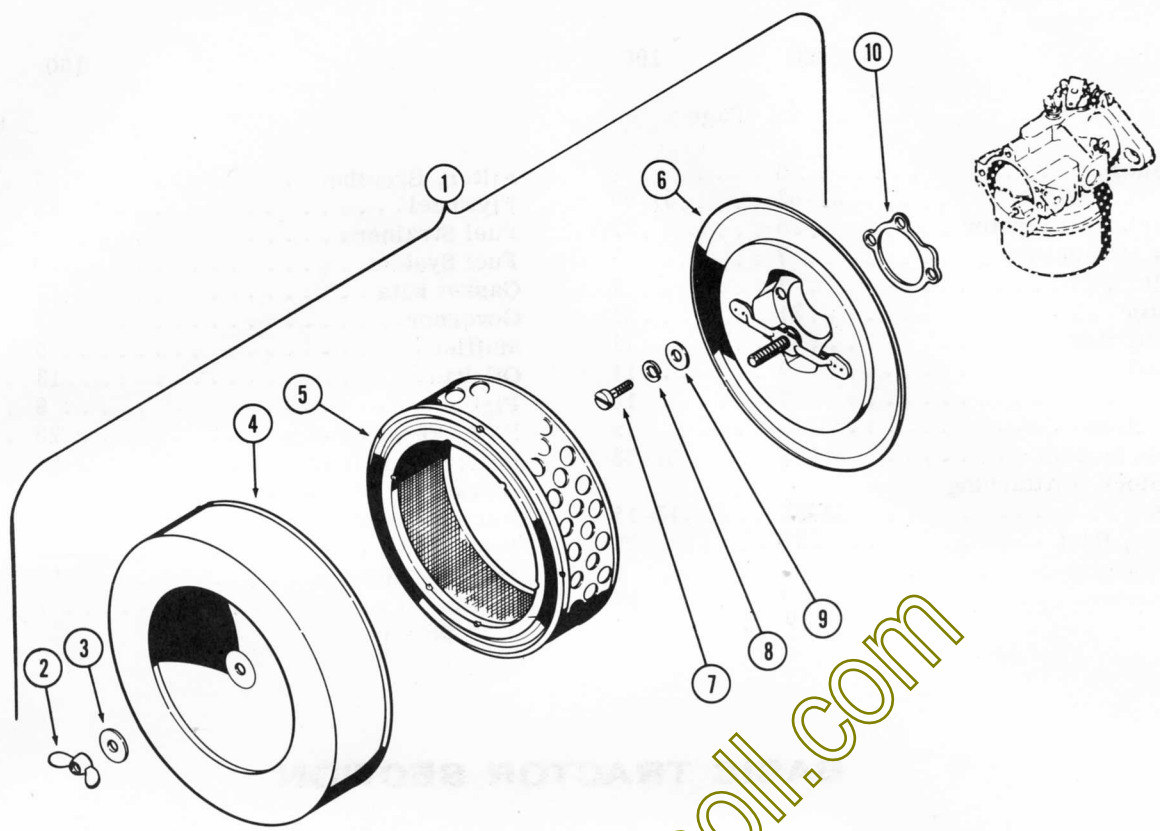
"Right Hand" and "Left Hand" sides of this machine are determined by standing at the rear of the unit and facing in the direction of forward travel.

# ALPHABETICAL INDEX ENGINE SECTION

	150	190		150	190
	Page			Page	
Air Cleaner . . . . .	5	5	Filter, Breather . . . . .	7	7
Battery . . . . .	51-53	51-53	Flywheel . . . . .	13	15
Belt, Starter-Generator . . . . .	25	25	Fuel Strainer . . . . .	21	21
Breather, Crankcase . . . . .	7	7	Fuel System . . . . .	19	19
Camshaft . . . . .	7	7	Gasket Kits . . . . .	13	15
Carburetor . . . . .	21	21	Governor . . . . .	17	17
Connecting Rod . . . . .	9	11	Muffler . . . . .	5	5
Crankshaft . . . . .	9	11	Oil Pan . . . . .	13	15
Cylinder Block . . . . .	13	15	Piston . . . . .	9	11
Cylinder Head . . . . .	13	15	PTO, Front . . . . .	23	23
Electrical System . . . . .	51-53	51-53	Pulley, Clutch . . . . .	23	23
Engine Block & Attaching			Spark Plug . . . . .	51	51
Parts . . . . .	13-15	13-15	Starter-Generator . . . . .	25	25
Exchanger, Heat . . . . .	35	35	Tank, Fuel . . . . .	19	19
Exhaust System . . . . .	5	5	Throttle Linkage . . . . .	17	17
Fan . . . . .	17	17	Valves . . . . .	7	7

## BASIC TRACTOR SECTION

Axle, Front . . . . .	29		Hydraulics (Continued)		
Rear . . . . .	33		Motor, Hydraulic Drive . . . . .		41
Baffles & Shrouds . . . . .	17		Pump . . . . .		39
Decals . . . . .	43		Valve, Control . . . . .		37
Fenders . . . . .	43		Valve, Control Linkage . . . . .		37
Frame . . . . .	45		Implement Lift Lever . . . . .		47
Grille . . . . .	45		Instruments . . . . .		51-53
Headlights . . . . .	51		Seat, Operator's . . . . .		43
Hitch . . . . .	47		Steering Wheel & Gear . . . . .		27
Hood . . . . .	45		Tool Box . . . . .		43
Hydraulics . . . . .	35-41		Transmission . . . . .		33
Coupling, Pump Drive . . . . .	39		Wheels, Front & Rear . . . . .		31
Hoses, Lines & Fittings . . . . .	35		Wheel Weights . . . . .		55



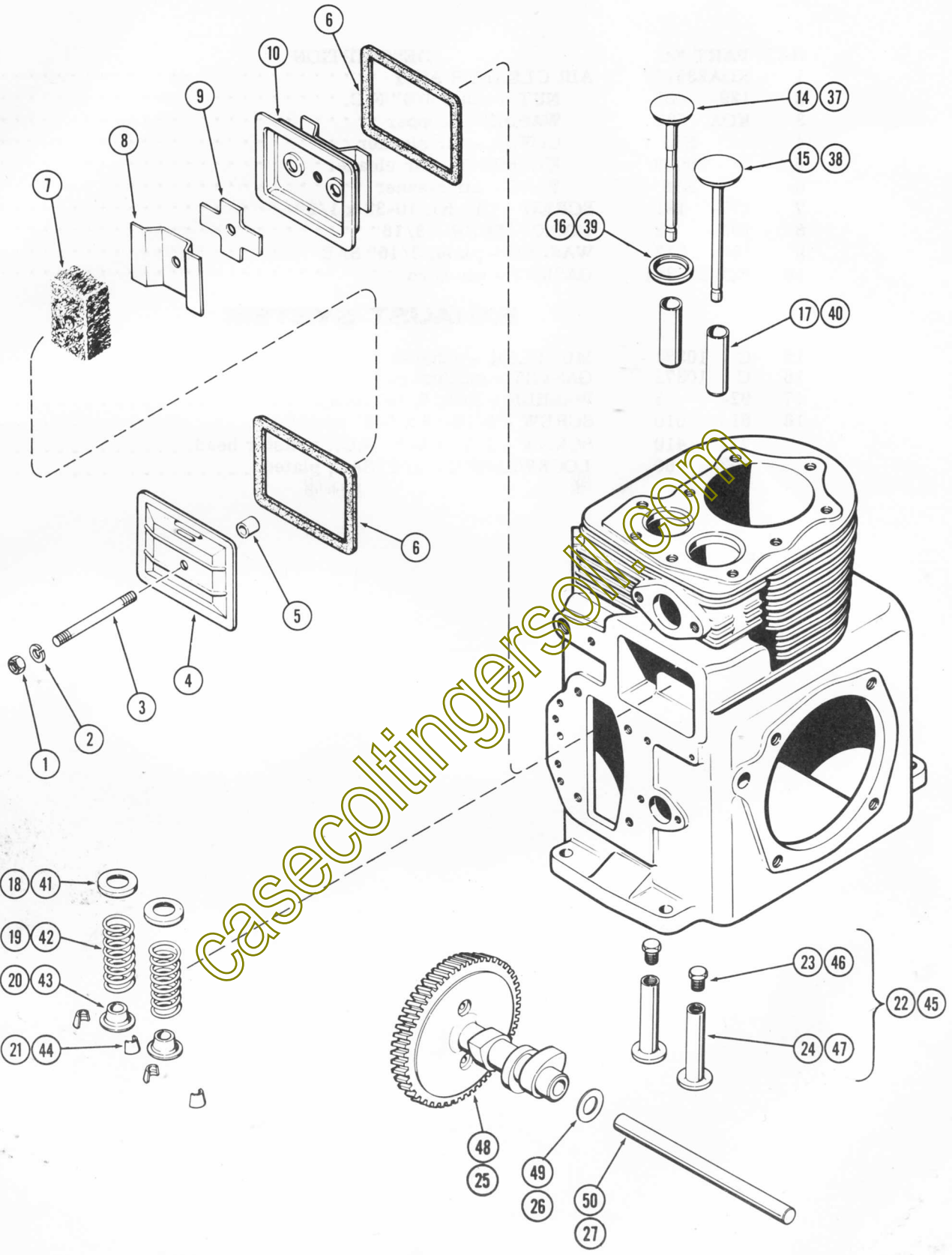
casecollecting.com

**AIR CLEANER**

REF. PART NO.	DESCRIPTION	REQ'D
1 KOA235100	AIR CLEANER ASSY	1
2 129- 409	NUT - wing, 3/8" N.C.	1
3 KOA 536	WASHER - copper	1
4 NSS	COVER - air cleaner	1
5 A 70090	ELEMENT - air cleaner	1
6 NSS	BASE - air cleaner	1
7 177- 131	SCREW - fill. hd. 10-32 x 1/2"	3
8 192- 18	LOCKWASHER - 3/16"	3
9 195- 512	WASHER - plain, 3/16" SAE	3
10 KO 275341	GASKET - air horn	1

**EXHAUST SYSTEM**

15 C 10373	MUFFLER - exhaust	1
16 C 10372	GASKET - exhaust pad	1
17 92- 5	WASHER - lock, 5/16" SAE	2
18 61- 510	SCREW - 5/16-18 x 5/8" socket hd.	2
71- 410	SCREW - 1/4" x 5/8" N.C., fillister head	1
193- 60	LOCKWASHER - 1/4" SAE, plated	1



**CRANKCASE BREATHER**

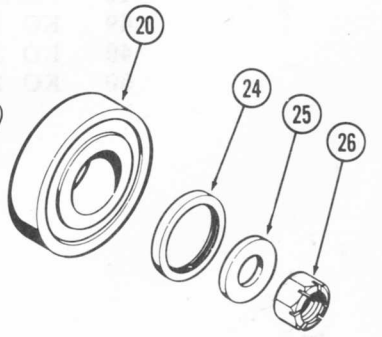
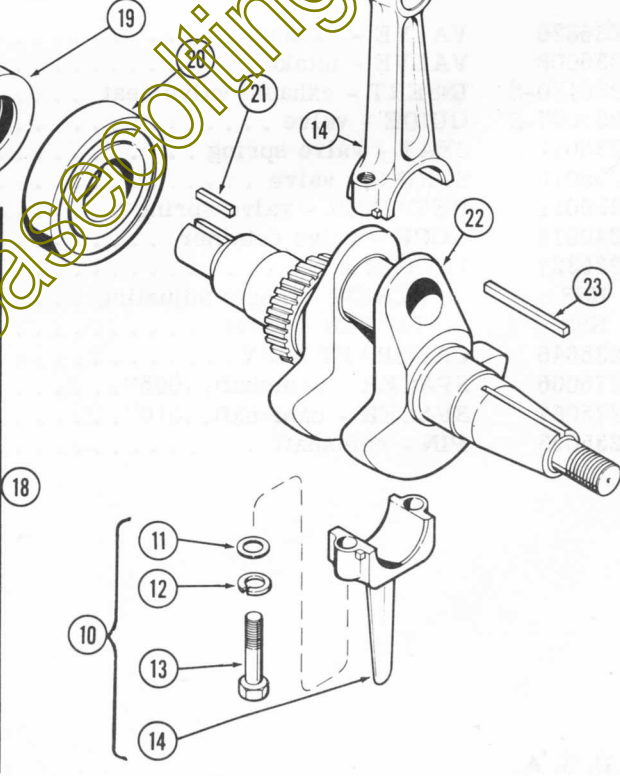
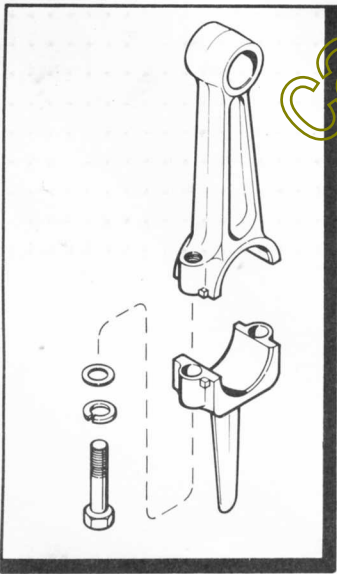
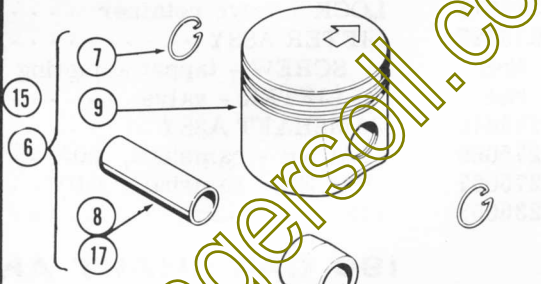
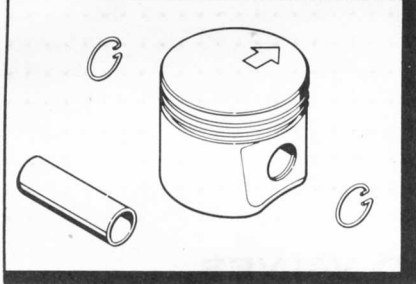
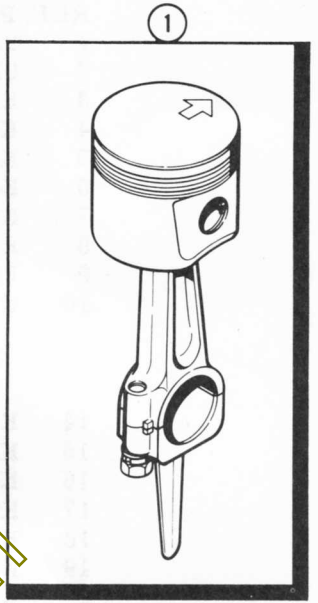
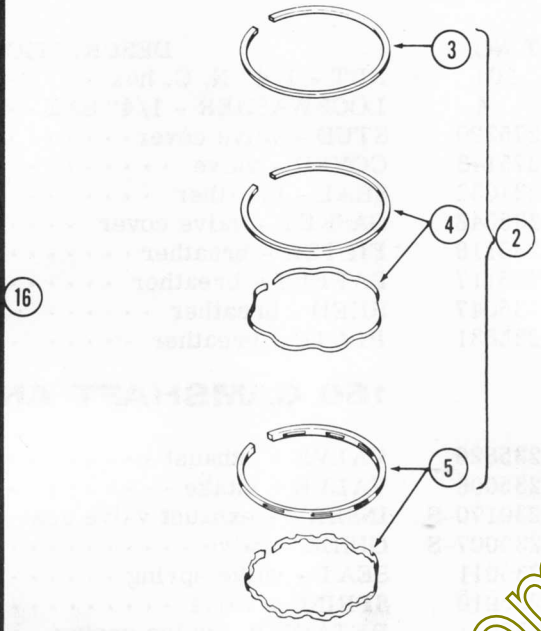
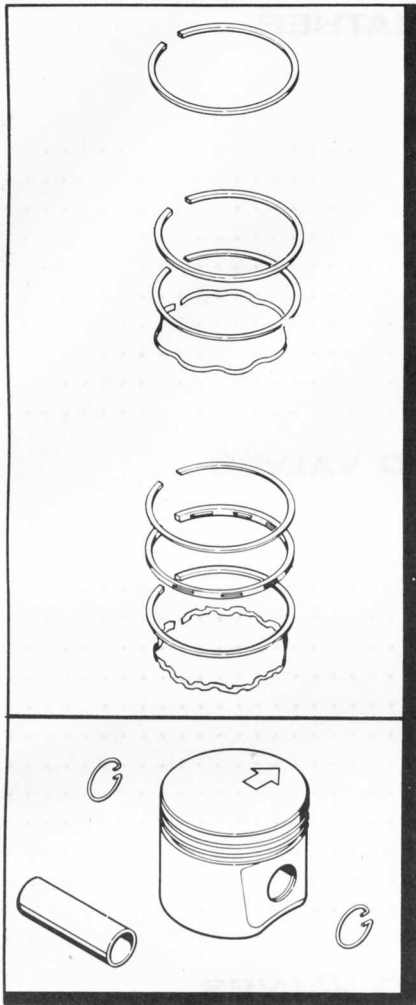
REF.	PART NO.	DESCRIPTION	REQ'D
1	25- 104	NUT - 1/4" N. C. hex	1
2	92- 4	LOCKWASHER - 1/4" SAE	1
3	KO 275220	STUD - valve cover	1
4	KO 275143	COVER - valve	1
5	KO 231032	SEAL - breather	1
6	KO 235048	GASKET - valve cover	2
7	KO 235118	FILTER - breather	1
8	KO 235117	BAFFLE - breather	1
9	KO 235047	REED - breather	1
10	KO 235631	PLATE - breather	1

**150 CAMSHAFT AND VALVES**

14	KO 235826	VALVE - exhaust	1
15	KO 235008	VALVE - intake	1
16	KO 230170-S	INSERT - exhaust valve seat	1
17	KO 235007-S	GUIDE - valve	2
18	KO 235011	SEAT - valve spring	2
19	KO 235010	SPRING - valve	2
20	KO 230011	RETAINER - valve spring	2
21	KO 240013	LOCK - valve retainer	4
22	KOA235327	LIFTER ASSY	2
23	NSS	SCREW - tappet adjusting	1
24	NSS	LIFTER - valve	1
25	KOA235646	CAMSHAFT ASSY	1
26	KO 275066	SPACER - camshaft, .005"	UAR
26	KO 275067	SPACER - camshaft, .010"	UAR
27	KO 235053	PIN - camshaft	1

**190 CAMSHAFT AND VALVES**

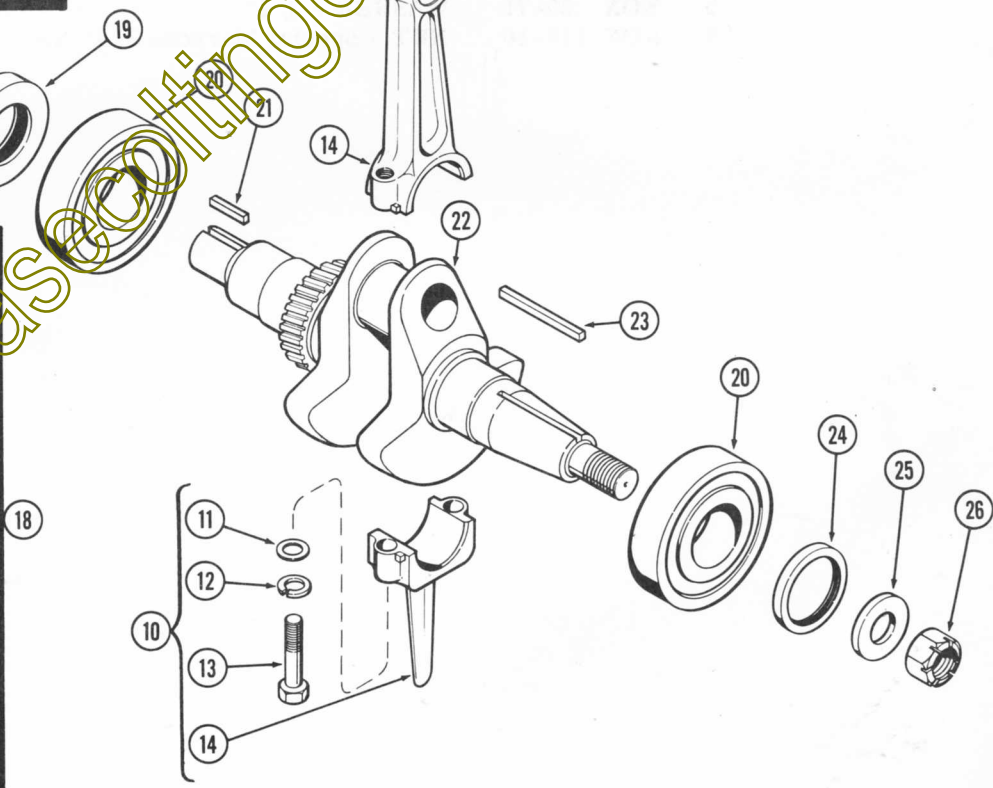
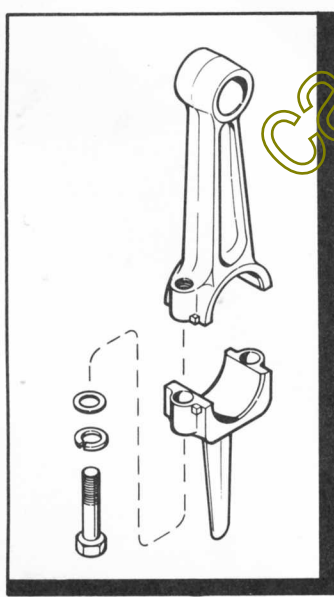
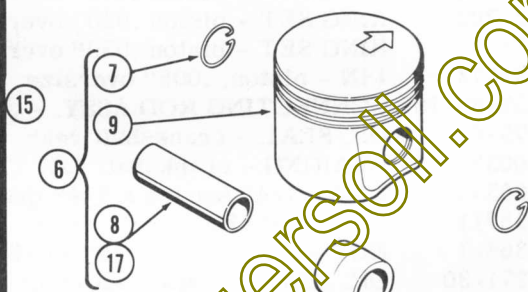
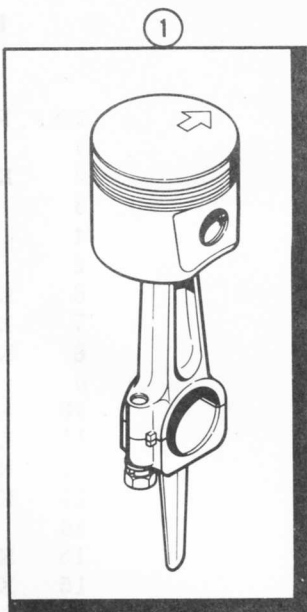
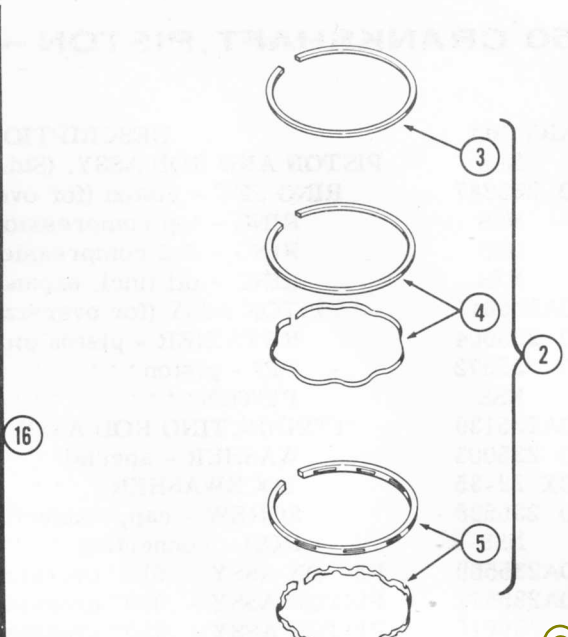
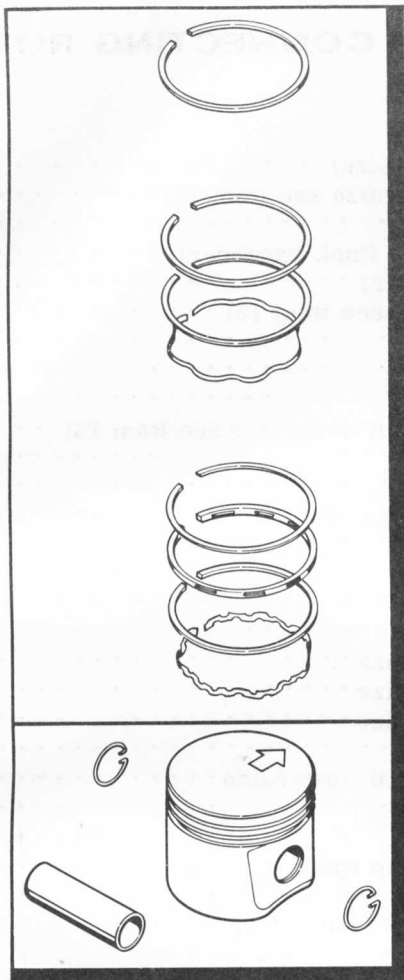
37	KO 235826	VALVE - exhaust	1
38	KO 235008	VALVE - intake	1
39	KO 230170-S	INSERT - exhaust valve seat	1
40	KO 235007-S	GUIDE - valve	2
41	KO 235011	SEAT - valve spring	2
42	KO 235010	SPRING - valve	2
43	KO 230011	RETAINER - valve spring	2
44	KO 240013	LOCK - valve retainer	4
45	KOA235327	LIFTER ASSY	2
46	NSS	SCREW - tappet adjusting	1
47	NSS	LIFTER - valve	1
48	KOA235646	CAMSHAFT ASSY	1
49	KO 275066	SPACER - camshaft, .005"	UAR
49	KO 275067	SPACER - camshaft, .010"	UAR
50	KO 235053	PIN - camshaft	1



casecolingersoil.com

150 CRANKSHAFT, PISTON — CONNECTING ROD

REF.	PART NO.	DESCRIPTION	REQ'D
1	NSS	PISTON AND ROD ASSY. (Std. size)	1
2	KO 235287	RING SET - piston (for oversize see item 16)	1
3	NSS	RING - top compression	1
4	NSS	RING - 2nd compression (incl. expander)	1
5	NSS	RING - oil (incl. expander)	1
6	KOA235611	PISTON ASSY (for oversize see item 15)	1
7	KO 235004	RETAINER - piston pin	2
8	KO 235572	PIN - piston	1
9	NSS	PISTON	1
10	KOA235139	CONNECTING ROD ASSY (for undersize see item 18)	1
11	KO 235003	WASHER - special	2
12	KOX 22-35	LOCKWASHER	2
13	KO 235526	SCREW - cap, connecting rod	2
14	NSS	ROD - connecting	1
15	KOA235569	PISTON ASSY - .010" oversize	1
15	KOA235571	PISTON ASSY - .020" oversize	1
15	KOA235616	PISTON ASSY - .030" oversize	1
16	KO 235288	RING SET - piston .010" oversize	1
16	KO 235289	RING SET - piston .020" oversize	1
16	KO 235290	RING SET - piston .030" oversize	1
17	KO 235573	PIN - piston, .005" oversize	1
18	KOA235139-10	CONNECTING ROD ASSY. - .010" undersize	1
19	KOX379-6	OIL SEAL - crankshaft rear	1
20	40035	BEARING - crankshaft ball	2
21	W 5063-S	KEY - 1/4" square x 3/4" (pump cplg)	1
22	KOA235711	CRANKSHAFT	1
23	KOX 366-1	KEY - flat 1/4" x 3/16" x 1-3/4" (flywheel)	1
24	KOX 271-30	OIL SEAL - crankshaft front	1
25	KOX 25-71	WASHER - 3/4"	1
26	KOX 119-16	NUT - special Marsden 3/4" NF	1

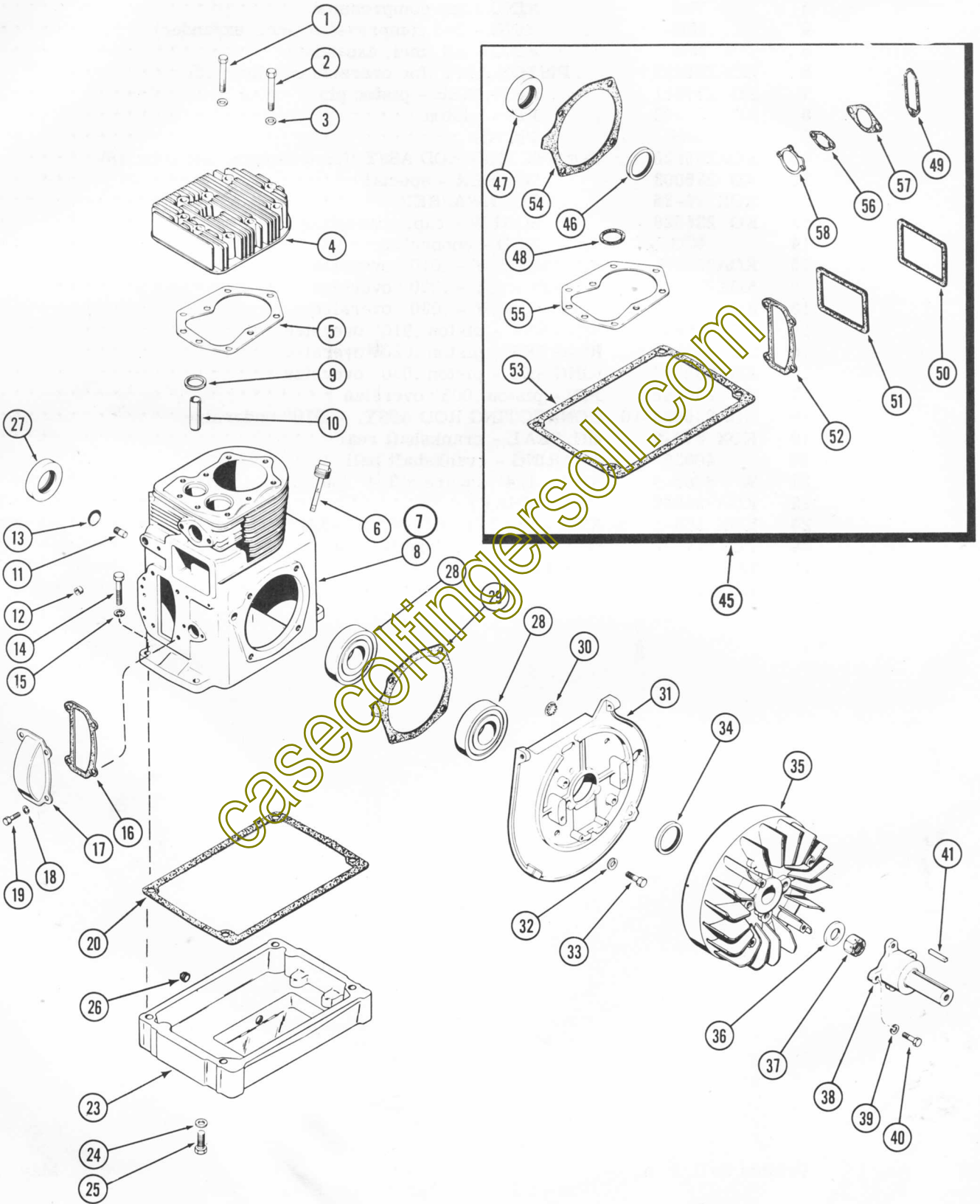


190 CRANKSHAFT, PISTON — CONNECTING ROD

REF.	PART NO.	DESCRIPTION	REQ'D
1	NSS	PISTON AND ROD ASSY. (Std. size) . . . . .	1
2	KO 235889	RING SET - piston (for oversize see item 16) . . . . .	1
3	NSS	RING - top compression . . . . .	1
4	NSS	RING - 2nd compression (incl. expander) . . . . .	1
5	NSS	RING - oil (incl. expander) . . . . .	1
6	KOA235827	PISTON ASSY (for oversize see item 15) . . . . .	1
7	KO 235811	RETAINER - piston pin . . . . .	2
8	KO 235803	PIN - piston . . . . .	1
9	NSS	PISTON . . . . .	1
10	KOA235828	CONNECTING ROD ASSY (for undersize see item 18) . . . . .	1
11	KO 235003	WASHER - special . . . . .	2
12	KOX 22-35	LOCKWASHER . . . . .	2
13	KO 235526	SCREW - cap, connecting rod . . . . .	2
14	NSS	ROD - connecting . . . . .	1
15	KOA235865	PISTON ASSY - .010" oversize . . . . .	1
15	KOA235866	PISTON ASSY - .020" oversize . . . . .	1
15	KOA235867	PISTON ASSY - .030" oversize . . . . .	1
16	KO 235890	RING SET - piston .010" oversize . . . . .	1
16	KO 235891	RING SET - piston .020" oversize . . . . .	1
16	KO 235892	RING SET - piston .030" oversize . . . . .	1
17	KO 235868	PIN - piston .005" oversize . . . . .	1
18	KOA235828-10	CONNECTING ROD ASSY. - .010" undersize . . . . .	1
19	KOX 379-6	OIL SEAL - crankshaft rear . . . . .	1
20	40035	BEARING - crankshaft ball . . . . .	2
21	W 5063-S	KEY - 1/4" square x 3/4" (pump cplg.) . . . . .	1
22	KOA235949	CRANKSHAFT . . . . .	1
23	KOX 366-1	KEY - flat 1/4" x 3/16" x 1-3/4" (flywheel) . . . . .	1
24	KOX271-30	OIL SEAL - crankshaft front . . . . .	1
25	KOX 25-71	WASHER - 3/4" . . . . .	1
26	KOX119-16	NUT - special Marsden 3/4" NF . . . . .	1

casecolting.com

Case Inc. and its various divisions  
INDUSTRIAL DIVISION - CONSTRUCTION EQUIPMENT



## 150 ENGINE BLOCK AND ATTACHING PARTS

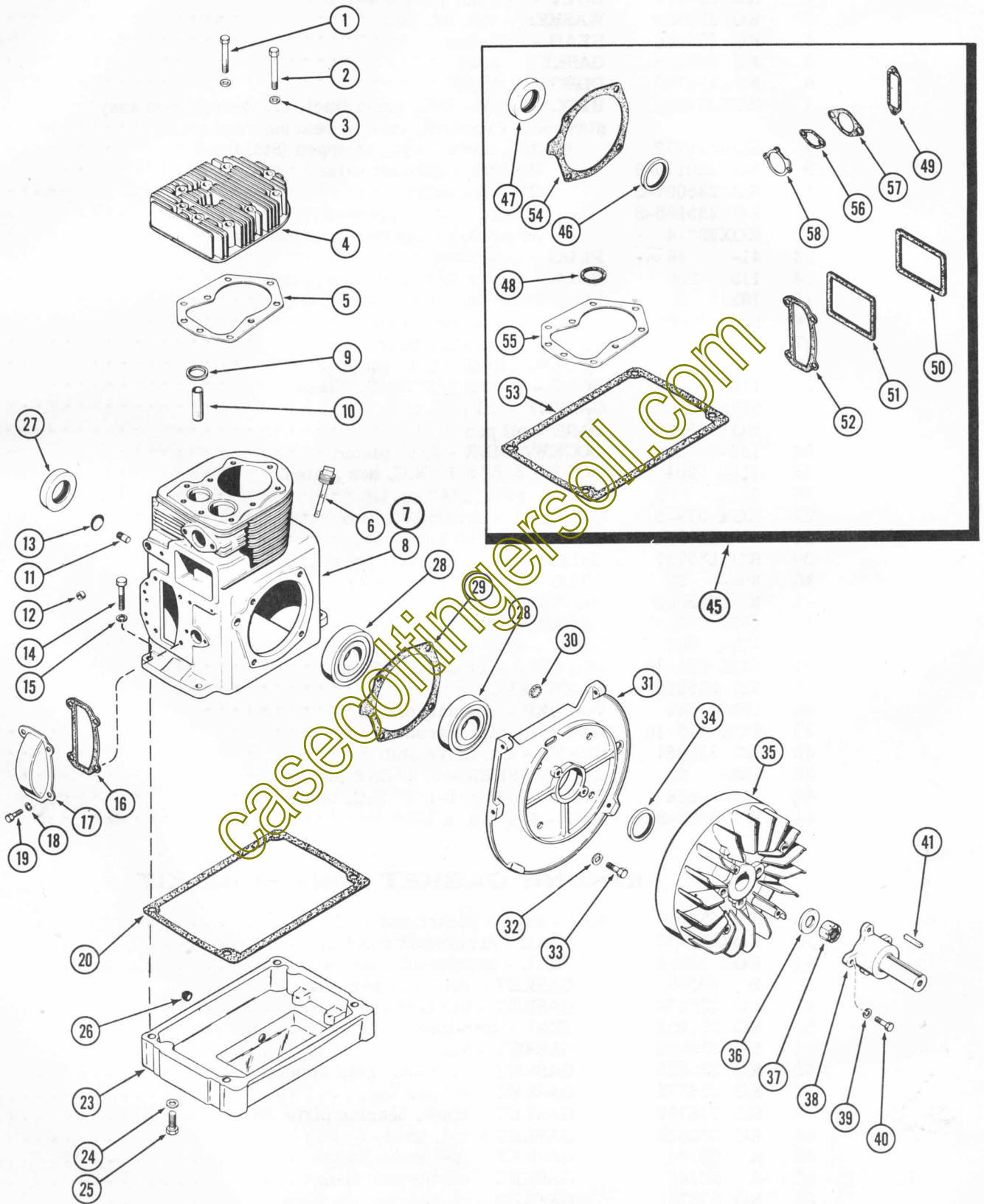
REF.	PART NO.	DESCRIPTION	REQ'D
1	KO 271077	BOLT - cyl. hd. (length 2-1/4")	7
2	KO 235175	BOLT - cyl. hd. (length 2-1/2")	2
3	KO 270889	WASHER - cyl. hd. bolt	9
4	KO 235656	HEAD - cylinder	1
5	KO 235810	GASKET - head	1
6	KOA235747	DIPSTICK ASSY	1
7	KOA236303	BLOCK ASSY - cyl., short (incl. crankshaft, rod assy governor, camshaft, valves, bearings and plate)	1
8	KOA235737	BLOCK ASSY - cyl., stripped (Std. bore)	1
9	KO 230170-S	INSERT - exhaust valve	1
10	KO 235007-S	GUIDE - valve	2
11	KO 235125-S	SHAFT - stub, governor	1
12	KOX293-4	BEARING - needle, governor shaft	1
13	41- 18	PLUG - expansion	1
14	113- 206	BOLT - 3/8" x 7/8" N.C. hex plated	4
15	192- 21	LOCKWASHER - 3/8" SAE plated	4
16	KO 235025	GASKET - camshaft cover	1
17	KO 235026	COVER - camshaft gear	1
18	192- 19	LOCKWASHER - 1/4" plated	4
19	113- 6	BOLT - 1/4" x 1/2" UNC, plated	4
20	KO 235353	GASKET - oil pan	1
23	KO 235950	BASE - oil pan	1
24	192- 21	LOCKWASHER - 3/8" plated	4
25	115- 204	BOLT - 3/8" x 1" N.C. hex plated	4
26	221- 2	PLUG - pipe, 1/4" sq. hd.	1
27	KOX 379-6	OIL SEAL - crankshaft rear	1
28	40035	BEARING - crankshaft ball	2
29	KO 235757	GASKET - shim, bearing plate, .010"	6
30	205- 27	PLUG - button, timing hole	1
31	KO 235062	PLATE - bearing	1
32	192- 21	LOCKWASHER - 3/8" plated	4
33	113- 207	BOLT - 3/8" x 1" N.C. plated	4
34	KOX 271-30	OIL SEAL - crankshaft front	1
35	KO 235818	FLYWHEEL	1
36	195- 545	WASHER - special, plated	1
37	KOX 119-16	NUT - special Marsden	1
38	KO 235954	SHAFT - frt. drive stub	1
39	192- 21	LOCKWASHER - 3/8" SAE plated	4
40	113- 208	BOLT - 3/8" x 1-1/4" N.C. hex	4
41	W- 5063-S	KEY - 1/4" sq. x 3/4"	1

## ENGINE GASKET AND SEAL KIT

45	KO 235417	KIT - engine gasket and seal	1
46	KOX271-30	SEAL - crankshaft front oil	1
47	KOX 379-6	SEAL - crankshaft rear oil	1
48	B 59393	GASKET - fuel strainer bowl	1
49	KO 220174	GASKET - breaker cover	1
50	KO 231032	SEAL - breather	1
51	KO 235048	GASKET - valve cover	2
52	KO 235025	GASKET - camshaft gear cover	1
53	KO 235353	GASKET - oil pan	1
54	KO 235757	GASKET - shim, bearing plate .010"	6
55	KO 235810	GASKET - cyl. head	1
56	A 72108	GASKET - fuel pump flange	1
57	A 72100	GASKET - carburetor flange	1
58	KO 275341	GASKET - carburetor air horn	1

Printed in U. S. A.

Sept. 1966

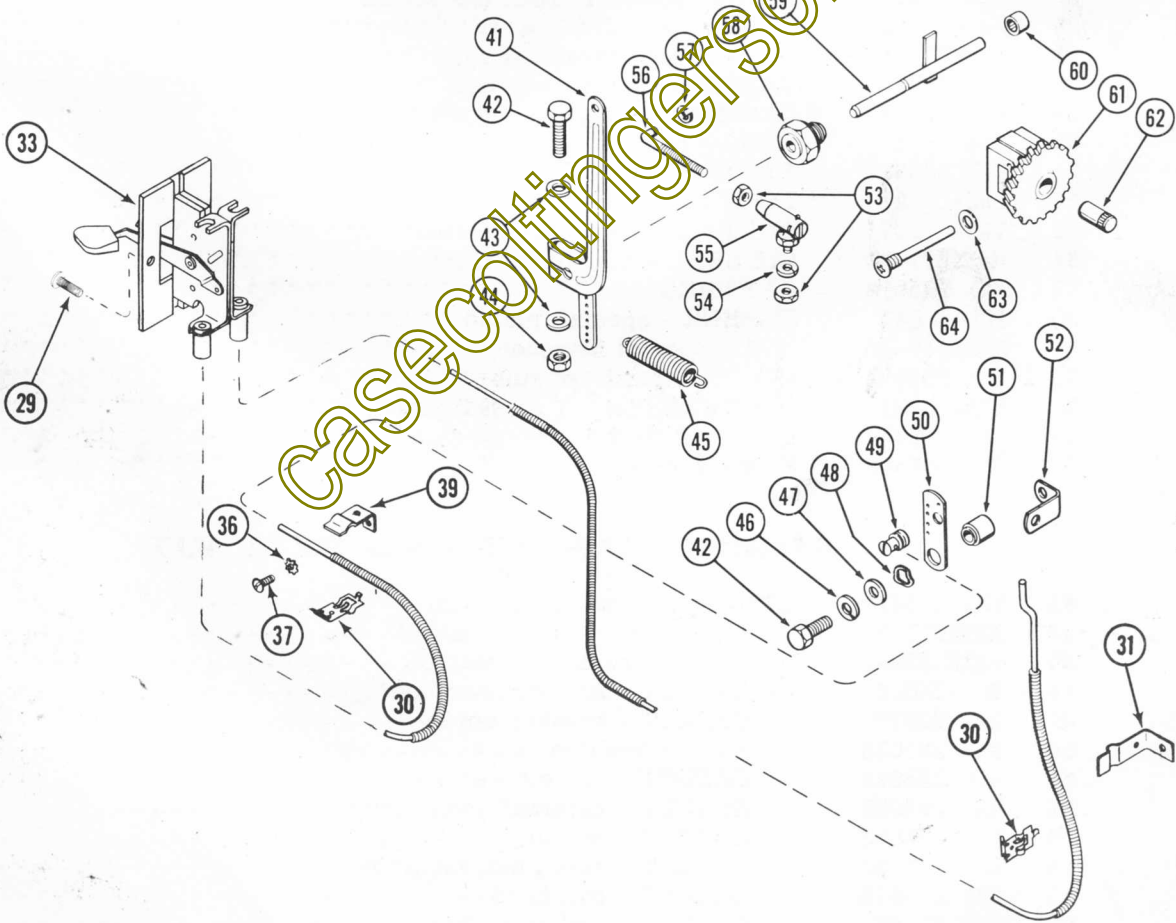
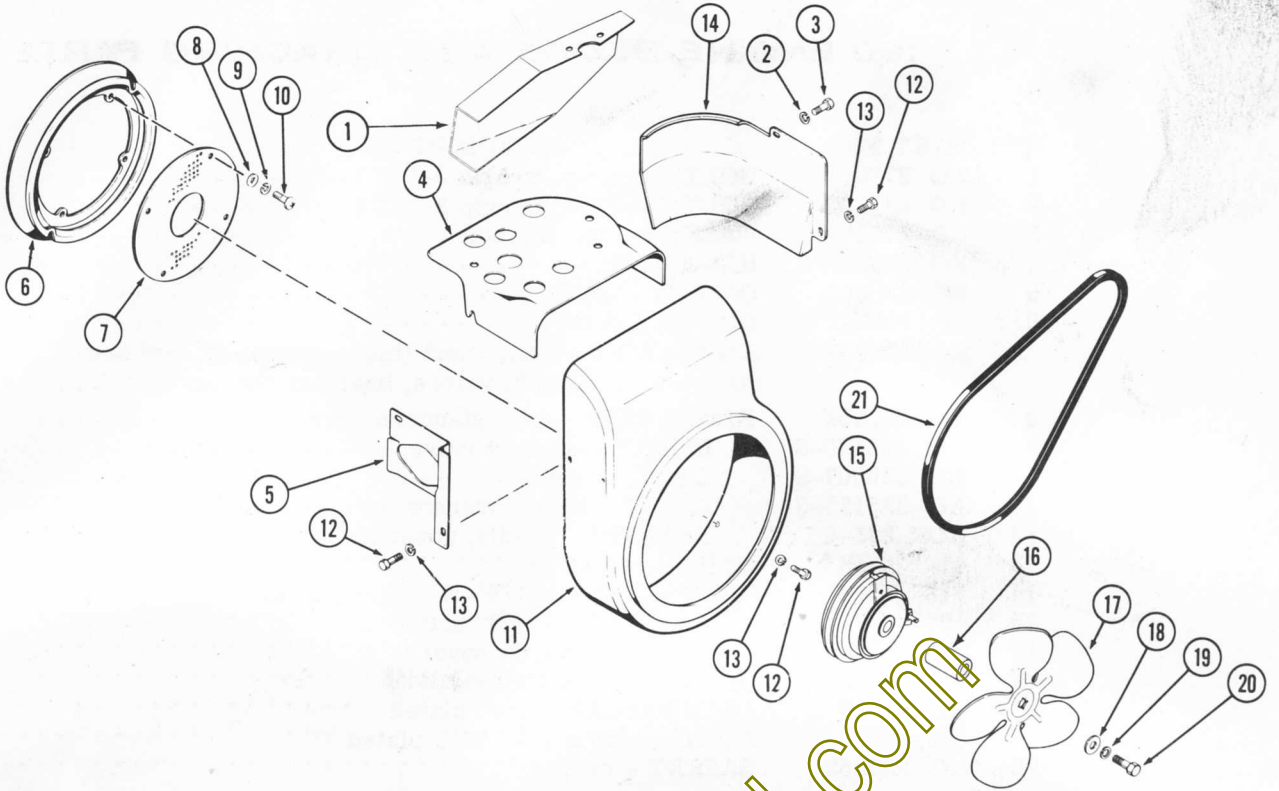


**190 ENGINE BLOCK AND ATTACHING PARTS**

REF.	PART NO.	DESCRIPTION	REQ'D
1	KO 271077	BOLT - cyl. hd. (length 2-1/4")	7
2	KO 235175	BOLT - cyl. hd. (length 2-1/2")	2
3	KO 270889	WASHER - cyl. hd. bolt	9
4	KO 235820	HEAD - cyl.	1
5	KO 235810	GASKET - head	1
6	KOA235747	DIPSTICK ASSY	1
	KOA236293	BLOCK ASSY - cyl., short (incl. crankshaft, rod assy governor, camshaft, valves, bearings and plate)	1
8	KOA235952	BLOCK ASSY - cyl., standard bore	1
9	KO 230170-S	INSERT - exhaust valve	1
10	KO 235007-S	GUIDE - valve	2
11	KO 235125-S	SHAFT - stub, governor	1
12	KOX 293-4	BEARING - needle, governor shaft	1
13	41- 18	PLUG - expansion	1
14	113- 206	BOLT - 3/8" x 1-1/4" N.C. hex plated	4
15	192- 21	LOCKWASHER - 3/8" plated	4
16	KO 235025	GASKET - camshaft cover	1
17	KO 235026	COVER - camshaft gear	1
18	192- 19	LOCKWASHER - 1/4" plated	4
19	113- 6	BOLT - 1/4" x 1/2" UNC plated	4
20	KO 235353	GASKET - oil pan	1
23	KO 235950	BASE - oil pan	1
24	192- 21	LOCKWASHER - 3/8" plated	4
25	115- 204	BOLT - 3/8" x 1" N.C. hex plated	4
26	221- 2	PLUG - pipe, 1/4" sq. hd.	1
27	KOX379-6	OIL SEAL - crankshaft rear	1
28	40035	BEARING - crankshaft ball	2
29	KO 235757	GASKET - shim, bearing plate .010"	6
30	205- 27	PLUG - button, timing hole	1
31	KO 235815	PLATE - bearing	1
32	192- 21	LOCKWASHER - 3/8" plated	4
33	113- 207	BOLT - 3/8" x 1" N.C. plated	4
34	KOX271-30	OIL SEAL - crankshaft front	1
35	KO 235818	FLYWHEEL	1
36	195- 545	WASHER - special, plated	1
37	KOX119-16	NUT - special Marsden	1
38	KO 235954	SHAFT - frt. drive stub	1
39	192- 21	LOCKWASHER - 3/8" SAE plated	4
40	113- 208	BOLT - 3/8" x 1-1/4" N. C. hex plated	4
41	W 5063-S	KEY - 1/4" sq. x 3/4"	1

**ENGINE GASKET AND SEAL KIT**

45	KO 235417	KIT - engine gasket and seal	1
46	KOX271-30	SEAL - crankshaft front oil	1
47	KOX 379-6	SEAL - crankshaft rear oil	1
48	B 59393	GASKET - fuel strainer bowl	1
49	KO 220174	GASKET - breaker cover	1
50	KO 231032	SEAL - breather	1
51	KO 235048	GASKET - valve cover	2
52	KO 235025	GASKET - camshaft gear cover	1
53	KO 235353	GASKET - oil pan	1
54	KO 235757	GASKET - shim, bearing plate, .010"	6
55	KO 235810	GASKET - cyl. head	1
56	A 72108	GASKET - fuel pump flange	1
57	A 72100	GASKET - carburetor flange	1
58	KO 275341	GASKET - carburetor air horn	1



**BAFFLES, SHROUDS AND CLUTCH PULLEY**

REF. PART NO.	DESCRIPTION	REQ'D
1 C 10492	DEFLECTOR - engine air . . . . .	1
2 192- 19	LOCKWASHER - 1/4", plated . . . . .	2
3 113- 6	BOLT - 1/4" x 1/2" N.C. hex plated . . . . .	2
4 KO 235955	BAFFLE - cyl. head . . . . .	1
5 KO 235368	BAFFLE - carburetor side air . . . . .	1
6 KO 235207	PULLEY - starter . . . . .	1
7 KO 235052	SCREEN - blower air intake . . . . .	1
8 195- 515	WASHER - 1/4" plated . . . . .	4
9 192- 19	LOCKWASHER - 1/4" plated . . . . .	4
10 175- 436	SCREW - 1/4" x 5/8" N.C. truss hd. Phillips, plated . . . . .	4
11 KO 235951	HOUSING - blower . . . . .	1
12 113- 2	BOLT - 1/4" x 3/4" N.C., hex hd. plated . . . . .	4
13 192- 19	LOCKWASHER - 1/4" plated . . . . .	4
14 KO 235054	BAFFLE - cylinder . . . . .	1
15 C 10311	CLUTCH - pulley . . . . .	1
16 C 10312	SPACER - short . . . . .	1
17 A 70084	FAN - engine . . . . .	1
18 95- 6	WASHER - 3/8" plain . . . . .	1
19 92- 6	LOCKWASHER - 3/8" SAE . . . . .	1
20 113- 203	BOLT - 3/8" x 3-1/2" N.C., hex (for pulley clutch) . . . . .	1
21 A 70205	BELT - drive, starter, generator . . . . .	1

**CHOKE, THROTTLE AND GOVERNOR**

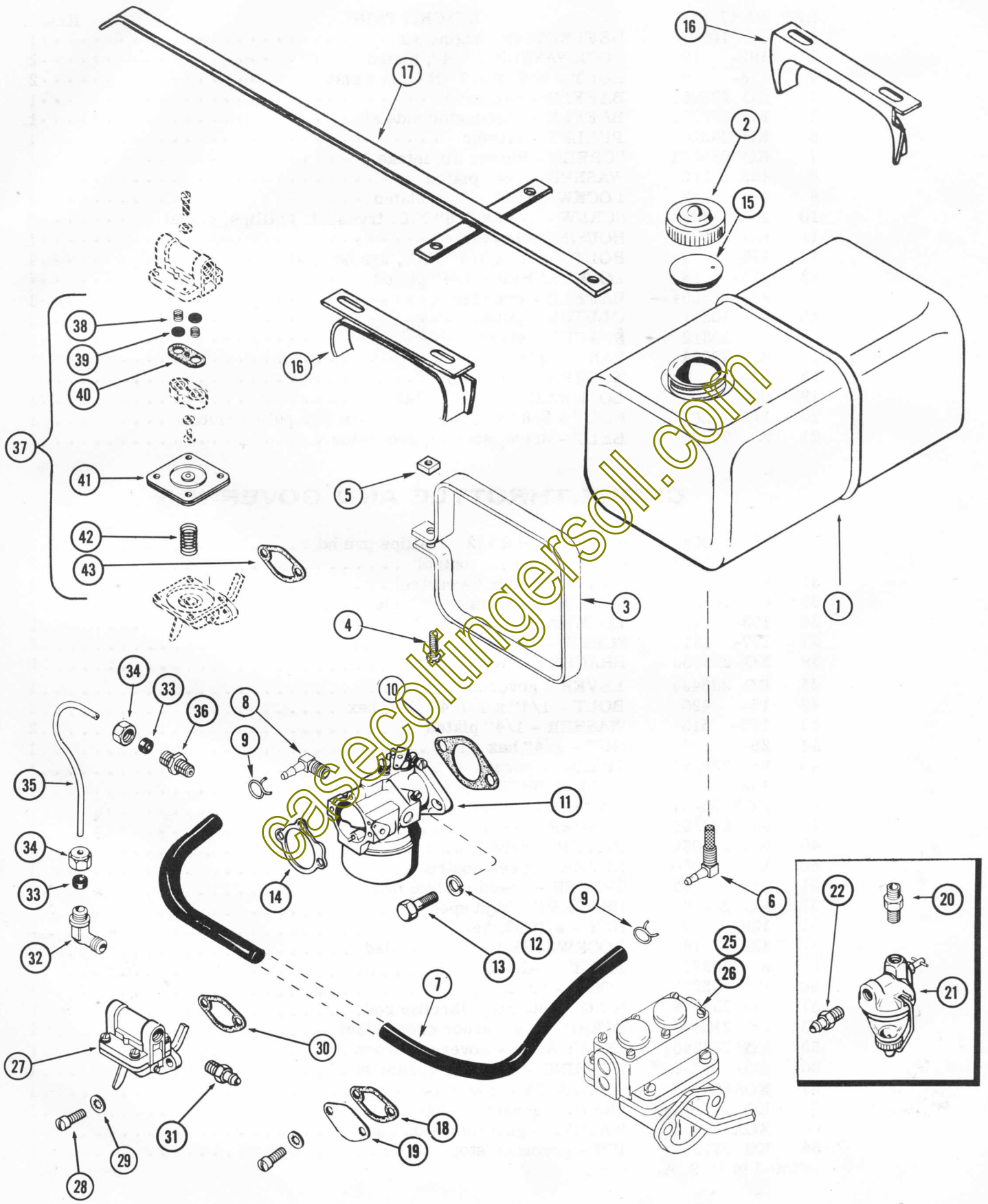
29 187- 1008	SCREW - #6 x 1/2" Phillips pan hd . . . . .	1
30 KO 235603	CLAMP - choke control . . . . .	2
31 KO 235680	BRACKET - choke control . . . . .	1
33 C 10427	CONTROL - throttle and choke . . . . .	1
36 193- 70	LOCKWASHER - #10 int. ext. shakeproof plated . . . . .	1
37 177- 131	SCREW - #10-24 x 1/2" rd. fill. hd. plated . . . . .	2
39 KO 235900	BRACKET - throttle . . . . .	1
41 KO 235494	LEVER - governor . . . . .	1
42 15- 420	BOLT - 1/4" x 1-1/4" N.C. hex . . . . .	2
43 195- 515	WASHER - 1/4" plated . . . . .	2
44 25- 104	NUT - 1/4" hex . . . . .	1
45 KO 235496	SPRING - governor . . . . .	1
46 192- 19	LOCKWASHER - 1/4" plated . . . . .	1
47 KOX 25-57	WASHER - thrust . . . . .	1
48 KO 235690	WASHER - wavy . . . . .	1
49 KO 231052	CLAMP - swivel, wire . . . . .	1
50 KO 235086	LEVER - speed control . . . . .	1
51 KO 235085	SPACER - speed control bracket . . . . .	1
52 KO 235084	BRACKET - high speed stop . . . . .	1
53 129- 37	NUT - #10-32, hex . . . . .	2
54 192- 18	LOCKWASHER - 3/16" plated . . . . .	1
55 A 10326	JOINT - ball . . . . .	1
56 KO 235277	ROD - throttle . . . . .	1
57 KO 235278	RING - retaining, throttle rod . . . . .	1
58 KO 235476	BUSHING - governor cross shaft . . . . .	1
59 KOA235256	SHAFT ASSY - governor cross . . . . .	1
60 KOX 293-4	BEARING - needle governor shaft . . . . .	1
61 KOA235743	GEAR ASSY - governor . . . . .	1
62 KO 235125-S	SHAFT - governor stub . . . . .	1
63 KOX 25-55	WASHER - governor stop pin . . . . .	1
64 KO 231355	PIN - governor stop . . . . .	1

**BAFFLES, SHROUDS AND CLUTCH PULLEY**

REF.	PART NO.	DESCRIPTION	REQ'D
1	C 10492	DEFLECTOR - engine air . . . . .	1
2	192- 19	LOCKWASHER - 1/4", plated . . . . .	2
3	113- 6	BOLT - 1/4" x 1/2" N.C. hex plated . . . . .	2
4	KO 235955	BAFFLE - cyl. head . . . . .	1
5	KO 235368	BAFFLE - carburetor side air . . . . .	1
6	KO 235207	PULLEY - starter . . . . .	1
7	KO 235052	SCREEN - blower air intake . . . . .	1
8	195- 515	WASHER - 1/4" plated . . . . .	4
9	192- 19	LOCKWASHER - 1/4" plated . . . . .	4
10	175- 436	SCREW - 1/4" x 5/8" N.C. truss hd. Phillips, plated . . . . .	4
11	KO 235951	HOUSING - blower . . . . .	1
12	113- 2	BOLT - 1/4" x 3/4" N.C., hex hd. plated . . . . .	4
13	192- 19	LOCKWASHER - 1/4" plated . . . . .	4
14	KO 235054	BAFFLE - cylinder . . . . .	1
15	C 10311	CLUTCH - pulley . . . . .	1
16	C 10312	SPACER - short . . . . .	1
17	A 70084	FAN - engine . . . . .	1
18	95- 6	WASHER - 3/8" plain . . . . .	1
19	92- 6	LOCKWASHER - 3/8" SAE . . . . .	1
20	113- 203	BOLT - 3/8" x 3-1/2" N.C., hex (for pulley clutch) . . . . .	1
21	A 70205	BELT - drive, starter, generator . . . . .	1

**CHOKE, THROTTLE AND GOVERNOR**

29	187- 1008	SCREW - #6 x 1/2" Phillips pan hd . . . . .	1
30	KO 235603	CLAMP - choke control . . . . .	2
31	KO 235680	BRACKET - choke control . . . . .	1
33	C 10427	CONTROL - throttle and choke . . . . .	1
36	193- 70	LOCKWASHER - #10 int. ext. shakeproof plated . . . . .	1
37	177- 131	SCREW - #10-24 x 1/2" rd. fill. hd. plated . . . . .	2
39	KO 235900	BRACKET - throttle . . . . .	1
41	KO 235494	LEVER - governor . . . . .	1
42	15- 420	BOLT - 1/4" x 1-1/4" N.C. hex . . . . .	2
43	195- 515	WASHER - 1/4" plated . . . . .	2
44	25- 104	NUT - 1/4" hex . . . . .	1
45	KO 235496	SPRING - governor . . . . .	1
46	192- 19	LOCKWASHER - 1/4" plated . . . . .	1
47	KOX 25-57	WASHER - thrust . . . . .	1
48	KO 235690	WASHER - wavy . . . . .	1
49	KO 231052	CLAMP - swivel, wire . . . . .	1
50	KO 235086	LEVER - speed control . . . . .	1
51	KO 235085	SPACER - speed control bracket . . . . .	1
52	KO 235084	BRACKET - high speed stop . . . . .	1
53	129- 37	NUT - #10-32, hex . . . . .	2
54	192- 18	LOCKWASHER - 3/16" plated . . . . .	1
55	A 10326	JOINT - ball . . . . .	1
56	KO 235277	ROD - throttle . . . . .	1
57	KO 235278	RING - retaining, throttle rod . . . . .	1
58	KO 235476	BUSHING - governor cross shaft . . . . .	1
59	KOA235256	SHAFT ASSY - governor cross . . . . .	1
60	KOX 293-4	BEARING - needle governor shaft . . . . .	1
61	KOA235743	GEAR ASSY - governor . . . . .	1
62	KO 235125-S	SHAFT - governor stub . . . . .	1
63	KOX 25-55	WASHER - governor stop pin . . . . .	1
64	KO 231355	PIN - governor stop . . . . .	1



## FUEL SYSTEM

REF. PART NO.	DESCRIPTION	REQ'D
1 C 10479	TANK - fuel	1
2 C 11529	CAP - fuel tank	1
3 A 70100	STRAP - fuel tank mounting	2
4 173- 215	SCREW - 1/4" x 1-1/4" rd. hd.	2
5 25- 224	NUT - 1/4" square	2
6* C 10657	ELBOW - fuel line	1
7 C 11665	HOSE - fuel line, 18-1/4"	1
8 C 10678	ELBOW - fuel line	1
9 214- 253	CLAMP - hose, 1/2"	2
10 A 72100	GASKET - carburetor flange	1
11 A 72073	CARBURETOR ASSY (Repairs see Page 17)	1
12 192- 20	LOCKWASHER - 5/16" plated	2
13 113- 103	BOLT - 5/16" x 1" N.C. hex head	2
14 KO 275341	GASKET - air horn	1
15 C 11545	INSERT - breather	1
16 A 70099	CLAMP - fuel tank mounting	2
17 C 10483	TIE BAR ASSY	1
18 A 72108	GASKET, fuel pump cover	1
19 KO 240282	COVER, fuel pump opening	1
20** 217- 200	NIPPLE - 1/8" x 3/4" close brass	1
21** B 53256	FUEL STRAINER ASSY (Repairs Page 21)	1
22** A 70103	FITTING - fuel line, nylon	1
25 KOA235845	FUEL PUMP - as furnished in Kit No. C11726 for 150	1
25A KOA275366	REPAIR KIT - for fuel pump No. KOA235845	1
26 KOA236205	FUEL PUMP - as furnished in Kit No. C11727 for 190	1
26A KO 271171	REPAIR KIT - for fuel pump No. KOA236205	1

\* Used on Model 150 tractors with serial numbers above 9607254

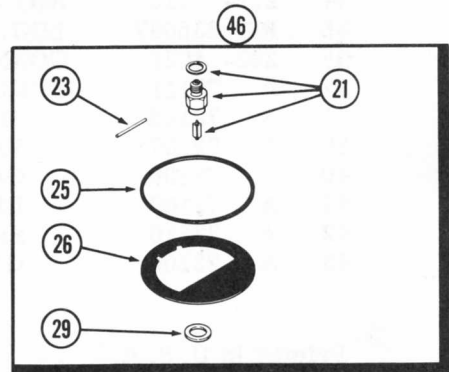
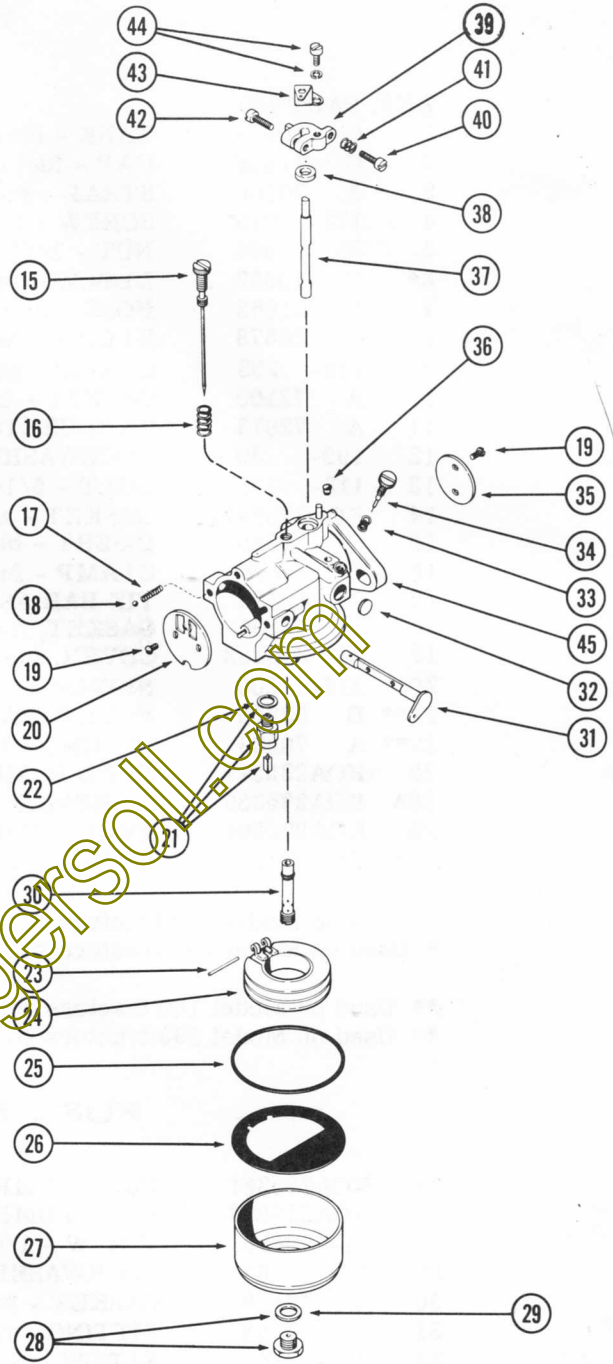
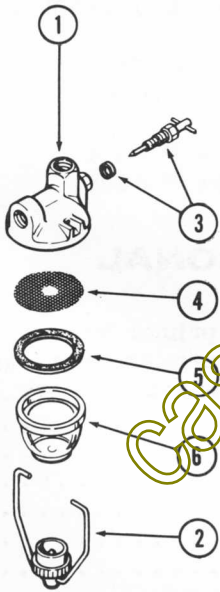
\* Used on Model 190 tractors with serial numbers above 9605808

\*\* Used on Model 150 tractors with serial numbers below 9607254

\*\* Used on Model 190 tractors with serial numbers below 9605808

## FUEL PUMP - OPTIONAL

27 KOA235361	FUEL PUMP - (150) Ident. No. on primer lever - 1965 (130) type	1
27 KOA235807	FUEL PUMP - (190) Ident. No. on primer lever - 1965 (180) type	1
28 71- 410	SCREW - 1/4" x 5/8" N.C., fillister head	2
29 193- 60	LOCKWASHER - 1/4" SAE std.	2
30 A 72108	GASKET - fuel pump mounting	1
31 A 70103	FITTING - fuel line, nylon	1
32 222- 41	ELBOW - (includes sleeve and nut)	1
33 222- 101	SLEEVE - (for 3/16" O.D. tube)	2
34 222- 112	NUT - (for 3/16" O.D. tube)	2
35 KO 235097	LINE - fuel pump to carburetor	1
36 222- 4021	CONNECTOR ASSEMBLY - (includes sleeve and nut)	1
37 A 72111	FUEL PUMP REPAIR KIT - for KOA235361 and KOA235807	1
38 A 72105	SPRING - fuel pump valve - for KOA235361 and KOA235807	2
39 A 72107	VALVE - fuel pump - for KOA235361 and KOA235807	2
40 A 72106	GASKET - valve - for KOA235361 and KOA235807	1
41 A 72109	DIAPHRAGM ASSEMBLY - for KOA235361 and KOA235807	1
42 A 72110	SPRING - diaphragm - for KOA235361 and KOA235807	1
43 A 72108	GASKET - fuel pump mounting for KOA235361 and KOA235807	1



**FUEL STRAINER**

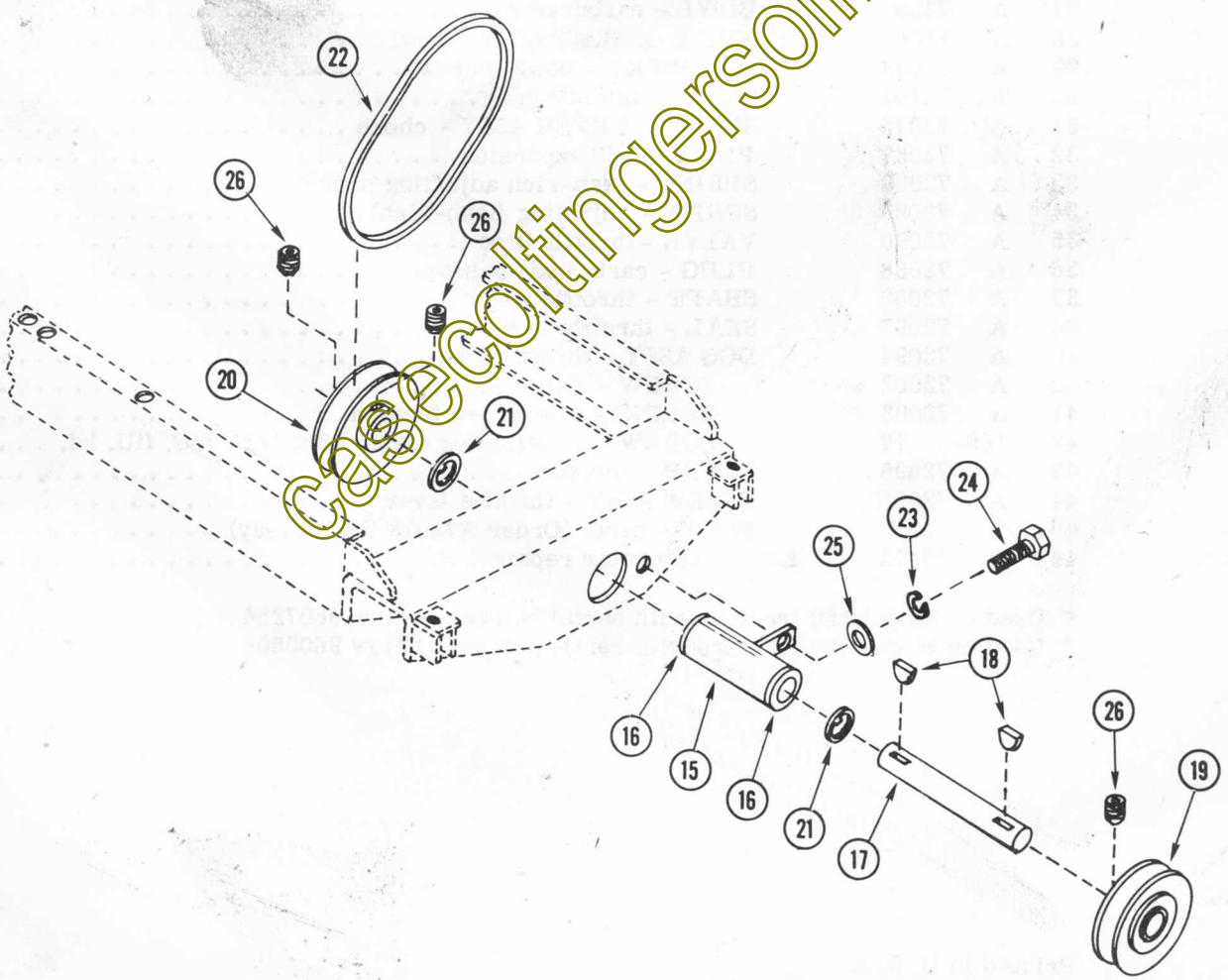
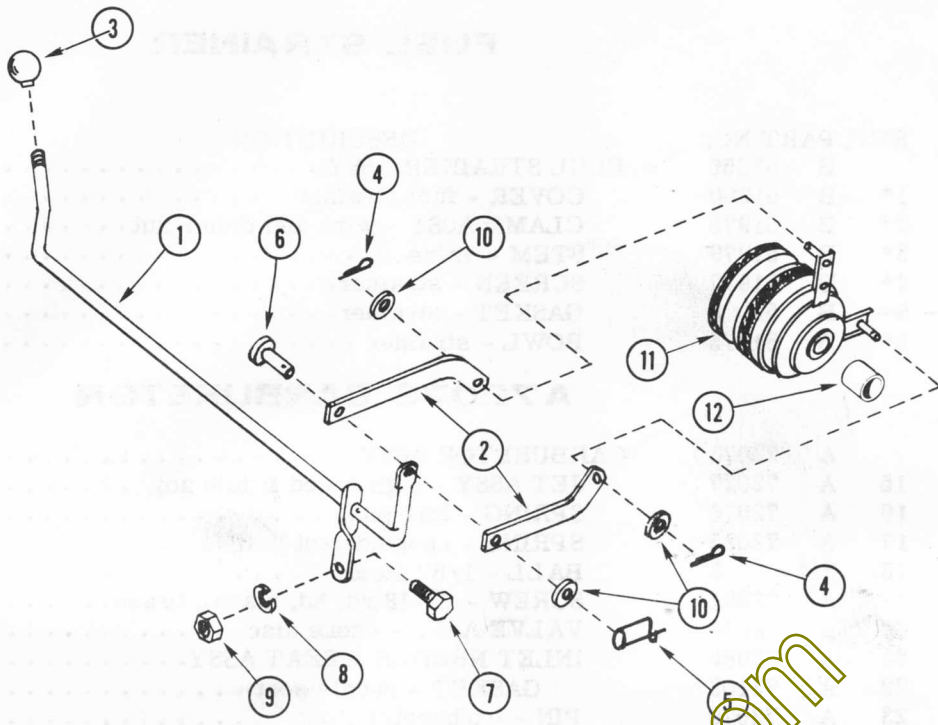
REF.	PART NO.	DESCRIPTION	REQ'D
	B 53256	FUEL STRAINER ASSY	1
1*	B 51980	COVER - fuel strainer	1
2*	B 51978	CLAMP ASSY - wire and thumb nut	1
3*	B 51979	STEM - valve	1
4*	B 51977	SCREEN - strainer	1
5*	B 59393	GASKET - strainer	1
6*	B 51975	BOWL - strainer	1

**A72073 CARBURETOR**

	A 72073	CARBURETOR ASSY	1
15	A 72077	JET ASSY - high speed & idle adj.	1
16	A 72076	SPRING - idle jet	1
17	A 72085	SPRING - choke detent ball	1
18	211- 3	BALL - 1/8" steel	1
19	A 72091	SCREW - #3-48 rd. hd. mach., brass	4
20	A 72074	VALVE ASSY - choke disc	1
21	A 72086	INLET NEEDLE & SEAT ASSY	1
22	A 72102	GASKET - needle seat	1
23	A 72079	PIN - carburetor float	1
24	A 72078	FLOAT ASSY	1
25	A 72081	GASKET - carburetor bowl ring	1
26	A 72082	GASKET - carburetor bowl	1
27	A 72080	BOWL - carburetor	1
28	A 72084	NUT & GASKET ASSY - bowl	1
29	A 72083	GASKET - bowl screw	1
30	A 72101	SEAT - high idle jet	1
31	A 72075	SHAFT & LEVER ASSY - choke	1
32	A 72087	PLUG - 3/8" expansion	1
33	A 72098	SPRING - lean-rich adjusting screw	1
34	A 72099	SCREW - adjusting (lean-rich)	1
35	A 72090	VALVE - throttle disc	1
36	A 72088	PLUG - carb. body passage	1
37	A 72089	SHAFT - throttle lever	1
38	A 72097	SEAL - throttle shaft	1
39	A 72094	DOG ASSY - throttle shaft	1
40	A 72092	SCREW - idle stop	1
41	A 72093	SPRING - idle screw tension	1
42	169- 7	SCREW - throttle dog clamp #8 x 1/2" N.C. fill. hd.	1
43	A 72096	LEVER - throttle	1
44	A 72095	SCREW ASSY - throttle lever	1
45	NSS	BODY - carb. (Order A72073 Carb. Assy)	1
46	A 72103	KIT - carburetor repair	1

\* Used on Model 150 tractors with serial numbers below 9607254

\* Used on Model 190 tractors with serial numbers below 9605808

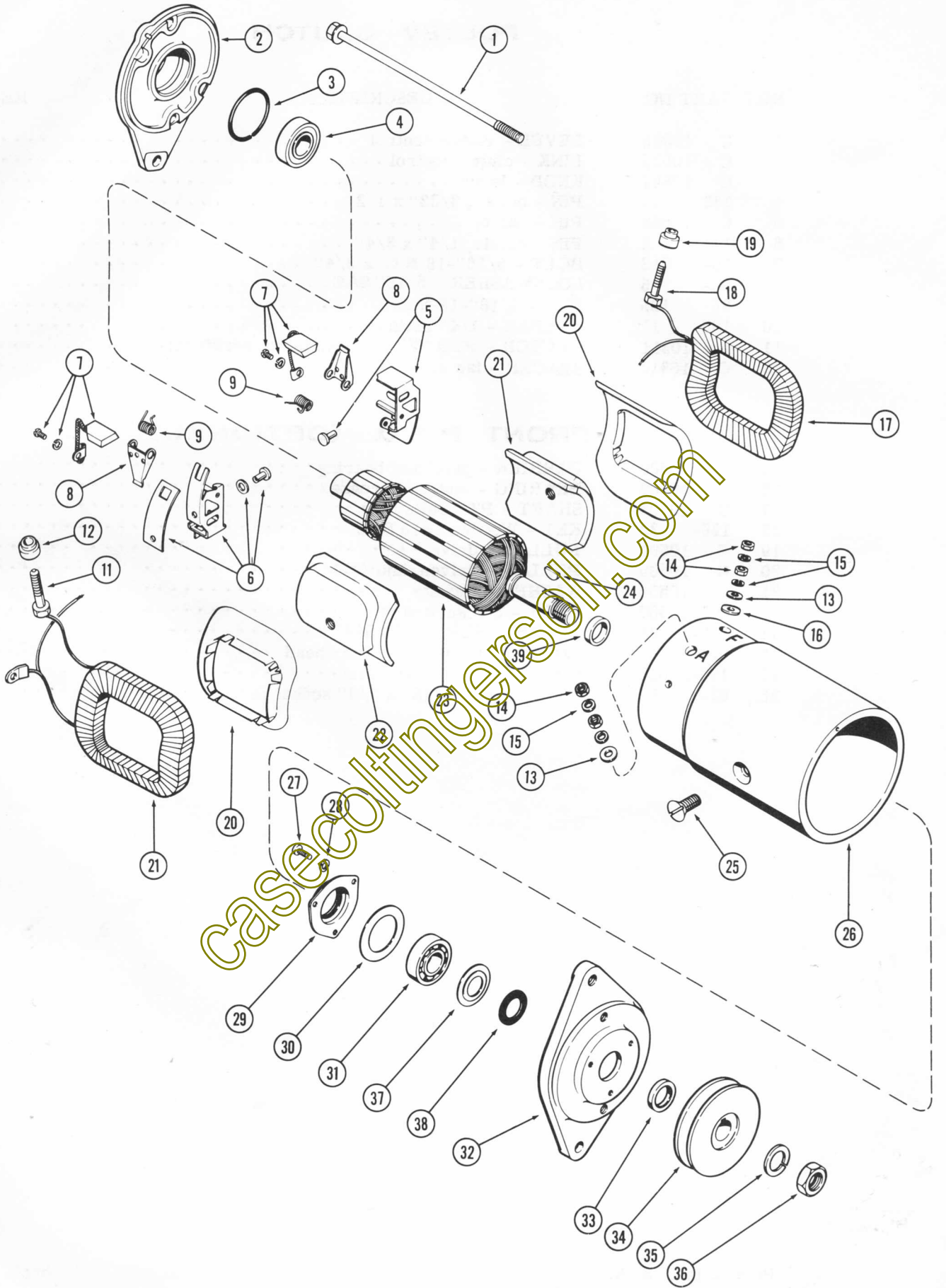


**PULLEY CLUTCH**

REF. PART NO.	DESCRIPTION	REQ'D
1 C 10880	LEVER - clutch control . . . . .	1
2 C 10525	LINK - clutch control . . . . .	2
3 C 10487	KNOB - lever . . . . .	1
4 132- 24	PIN - cotter, 3/32" x 1/2" . . . . .	2
5 C 10883	PIN - safety . . . . .	1
6 141- 2	PIN - clevis, 1/4" x 3/4" . . . . .	1
7 15- 512	BOLT - 5/16"-18 N.C. x 3/4" . . . . .	1
8 92- 5	LOCKWASHER - 5/16" SAE . . . . .	1
9 25- 105	NUT - 5/16"-18 N.C. . . . .	1
10 195- 17	WASHER - 1/4" plain . . . . .	3
11 C 10311	CLUTCH - PTO "V" belt (Parts not serviced) . . . . .	1
12 C 10312	SPACER - fan short . . . . .	1

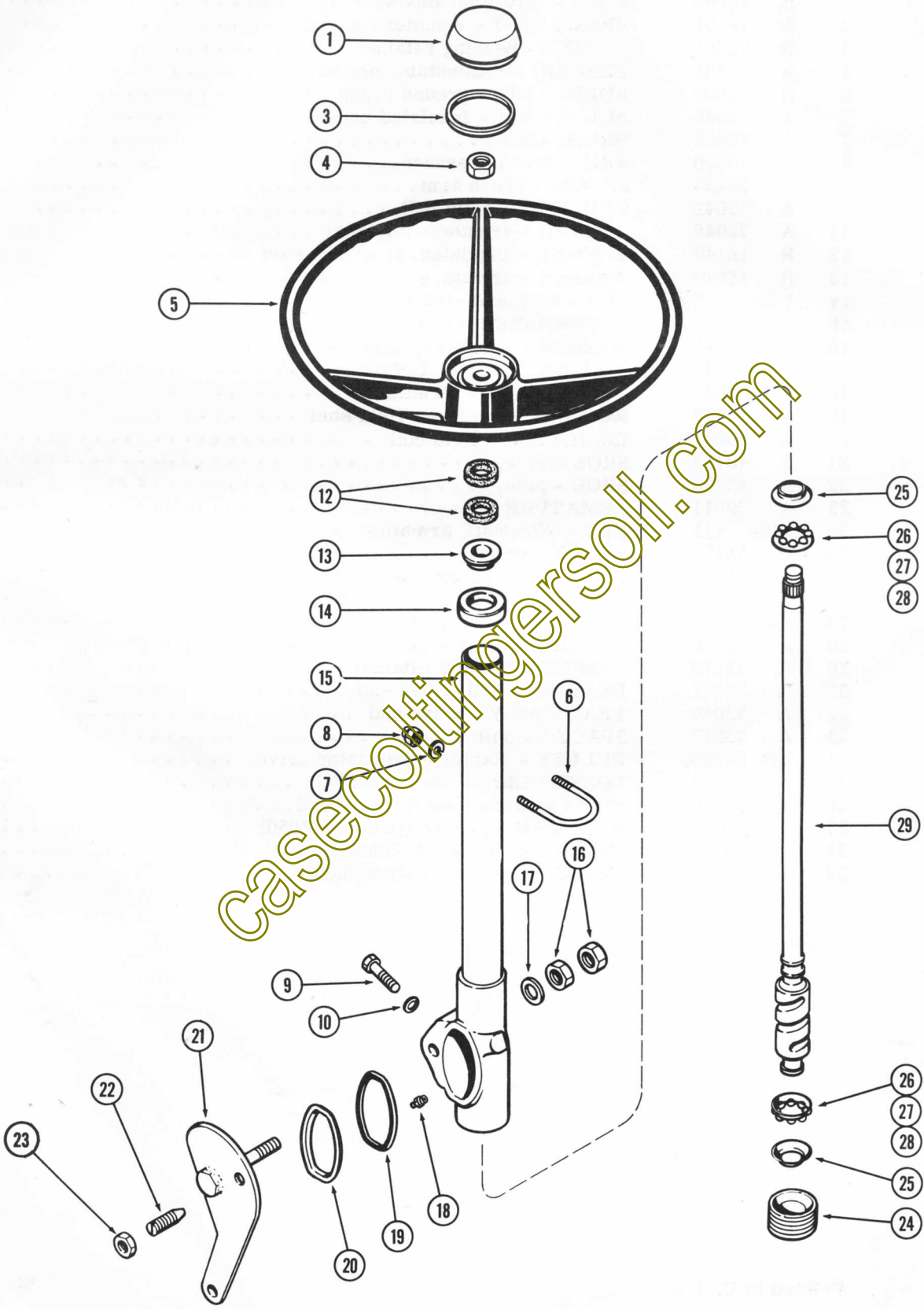
**FRONT P. T. O. (OPTIONAL)**

15 C 10500	CARRIER - pivot and bearing . . . . .	1
16 C 10502	BEARING - sintered bronze . . . . .	2
17 C 10503	SHAFT - PTO pulley . . . . .	1
18 126- 22	KEY - Woodruff #13 SAE . . . . .	2
19 C 10504	PULLEY - drive . . . . .	1
20 C 10505	PULLEY - driven adjustable . . . . .	1
21 C 10506	WASHER - thrust . . . . .	2
22 C 10507	BELT - 3 V section 30" . . . . .	1
23 192- 21	LOCKWASHER - 3/8" SAE . . . . .	1
24 113- 221	BOLT - 3/8"-16 x 7/8" hex head . . . . .	1
25 195- 522	WASHER - 3/8" SAE plain . . . . .	2
26 83- 56	SETSCREW - 5/16" x 3/8" socket head . . . . .	3



## A70202 STARTER-GENERATOR

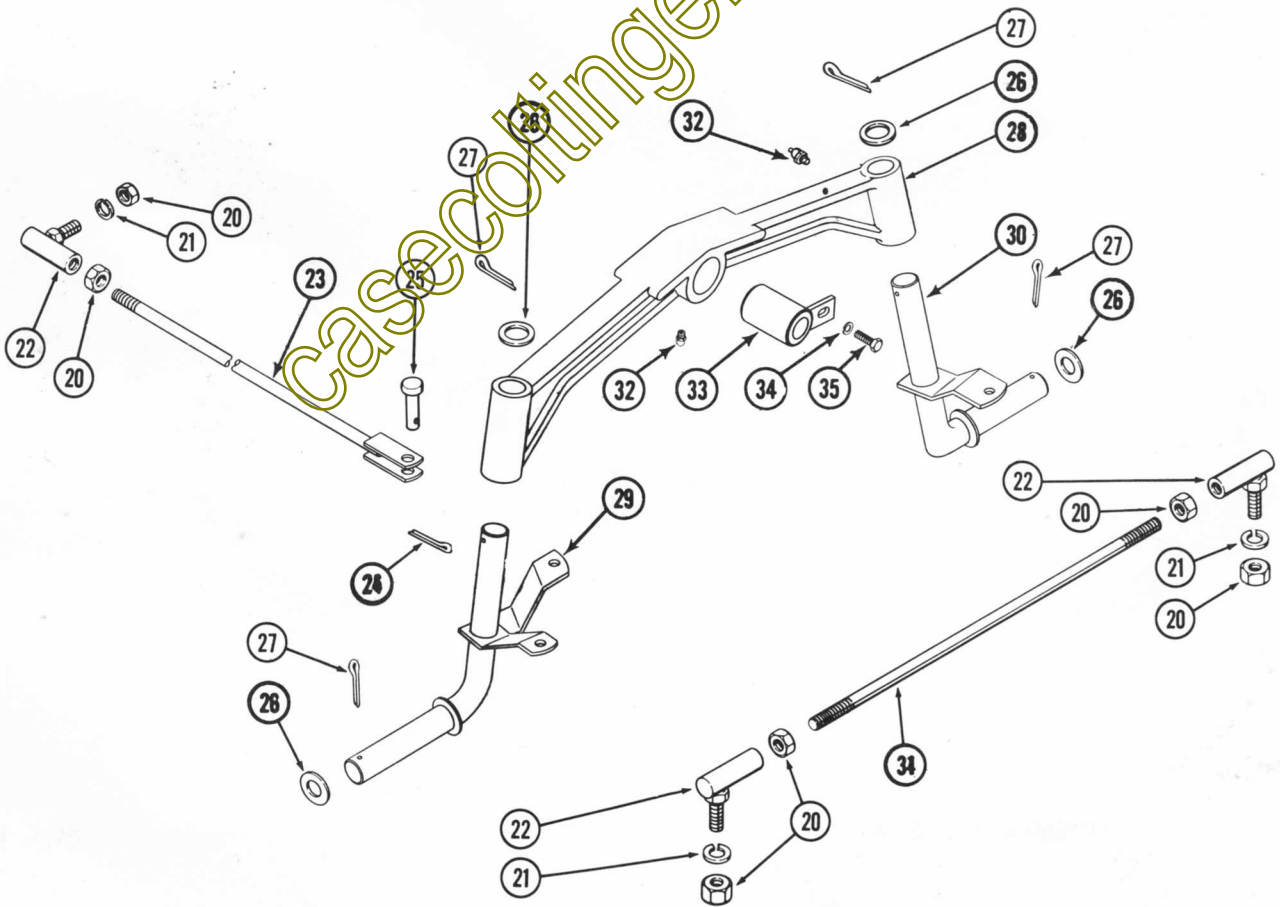
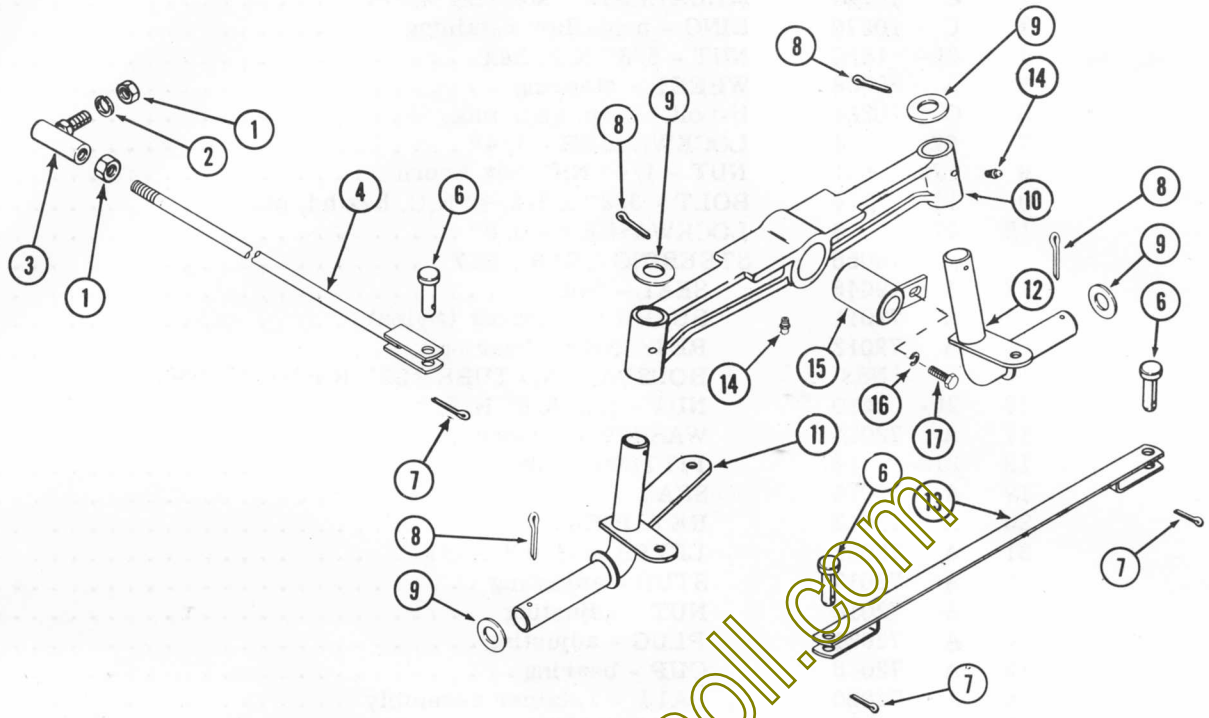
REF.	PART NO.	DESCRIPTION	REQ'D
1	R 15106	BOLT - thru (includes washer) . . . . .	2
2	A 72104	FRAME ASSY - commutator end . . . . .	1
3	R 15087	RING - bearing retainer . . . . .	1
4	A 25461	BEARING - commutator end ball . . . . .	1
5	A 72039	HOLDER KIT - ground brush . . . . .	1
6	A 72040	HOLDER KIT - insulated brush . . . . .	1
7	A 72038	BRUSH ASSY . . . . .	2
8	R 15090	ARM - brush pressure . . . . .	2
9	A 25423	SPRING - brush arm . . . . .	2
10	A 72042	COIL ASSY - field R.H. . . . .	1
11	A 72048	STUD - armature terminal . . . . .	1
12	R 16147	BUSHING - insulated, armature stud . . . . .	1
13	R 15079	WASHER - armature stud . . . . .	2
14	192- 8	NUT - terminal stud 12-24 hex . . . . .	4
15	192- 17	LOCKWASHER - terminal stud #12 . . . . .	4
16	R 16148	WASHER - insulated, field stud . . . . .	1
17	A 72043	COIL ASSY - field, L.H. . . . .	1
18	A 72049	STUD - field terminal . . . . .	1
19	R 15077	BUSHING - insulated, field stud . . . . .	1
20	A 25447	INSULATOR - field coil . . . . .	2
21	A 40736	SHOE - pole, . . . . .	1
22	A 40736	SHOE - pole, . . . . .	1
23	A 72041	ARMATURE . . . . .	1
24	126- 111	KEY - Woodruff, armature . . . . .	1
25	D 32477	SCREW - pole . . . . .	2
26	NSS	BODY - starter generator (Order A70202) . . . . .	1
27	173- 237	SCREW - 10-32 x 1/2" rd. Hd. . . . .	3
28	192- 18	LOCKWASHER - 9/16" plated . . . . .	3
29	A 72050	RETAINER ASSY - bearing (includes ref. 37 & 38) . . . . .	1
30	R 16170	GASKET - bearing retainer . . . . .	1
31	A 25441	BEARING - ball, drive end . . . . .	1
32	A 72046	FRAME ASSY - drive end . . . . .	1
33	A 72047	SPACER - pulley . . . . .	1
34	KO 235260	PULLEY - starter - generator drive . . . . .	1
35	192- 26	LOCKWASHER - 11/16" plated . . . . .	1
36	R 15105	NUT - armature shaft, drive end . . . . .	1
37	NSS	RETAINER - grease (Order A72050) . . . . .	1
38	NSS	SEAL - felt (Order A72050) . . . . .	1
39	NSS	SPACER - armature shaft, inner . . . . .	1



## STEERING GEAR

REF. PART NO.	DESCRIPTION	REQ'D
1 C 10569	MEDALLION - steering wheel .....	1
3 C 10570	RING - medallion retaining .....	1
4 25- 1510	NUT - 5/8" N.F. hex .....	1
5 A 70058	WHEEL - steering .....	1
6 C 10364	U-bolt - strg. gear mtg. ....	1
7 92- 4	LOCKWASHER - 1/4" .....	2
8 129- 501	NUT - 1/4" N.C. hex Acorn .....	2
9 13- 644	BOLT - 3/8" x 2-3/4" N.C. hex hd, plated .....	2
10 92- 6	LOCKWASHER - 3/8" .....	2
A 70056	STEERING GEAR ASSY .....	1
12 F 19645	SEAL - felt .....	2
13 A 72011	BEARING - spacer (Nylon) .....	1
14 A 72012	RETAINER - bearing .....	1
15 NSS	HOUSING AND TUBE ASSY (Order A70056) .....	1
16 25- 1510	NUT - jam 5/8" N.F. hex .....	2
17 A 72014	WASHER - bronze .....	1
18 219- 14	FITTING - lube .....	1
19 A 72015	SEAL .....	1
20 A 72013	RETAINER - seal .....	1
21 A 72022	LEVER & BOLT ASSY. ....	1
22 A 72017	STUD - adjusting .....	1
23 A 72010	NUT - adjusting .....	1
24 A 72021	PLUG - adjusting .....	1
25 A 72018	CUP - bearing .....	2
26 A 72020	BALL - retainer assembly .....	2
27 NSS	RETAINER - ball .....	1
28 211- 9	BALL - 5/16" dia. ....	8
29 NSS	CAM AND TUBE ASSY - (Order A70056) .....	1

PROTDART AIRPLAN DE...  
HAZD...  
...

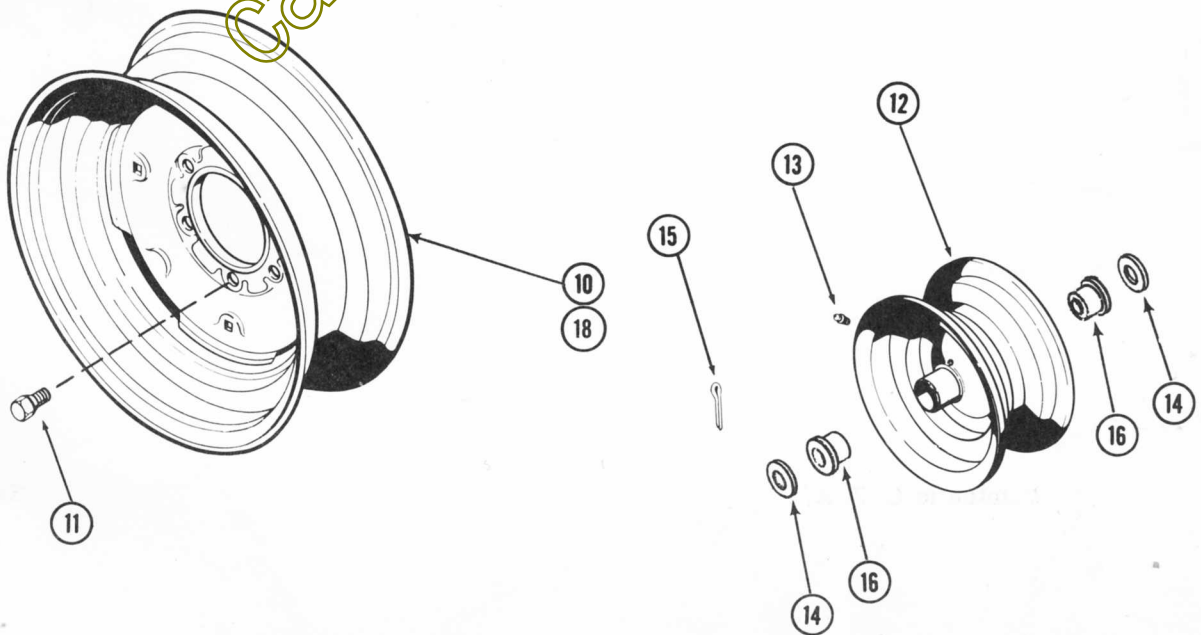
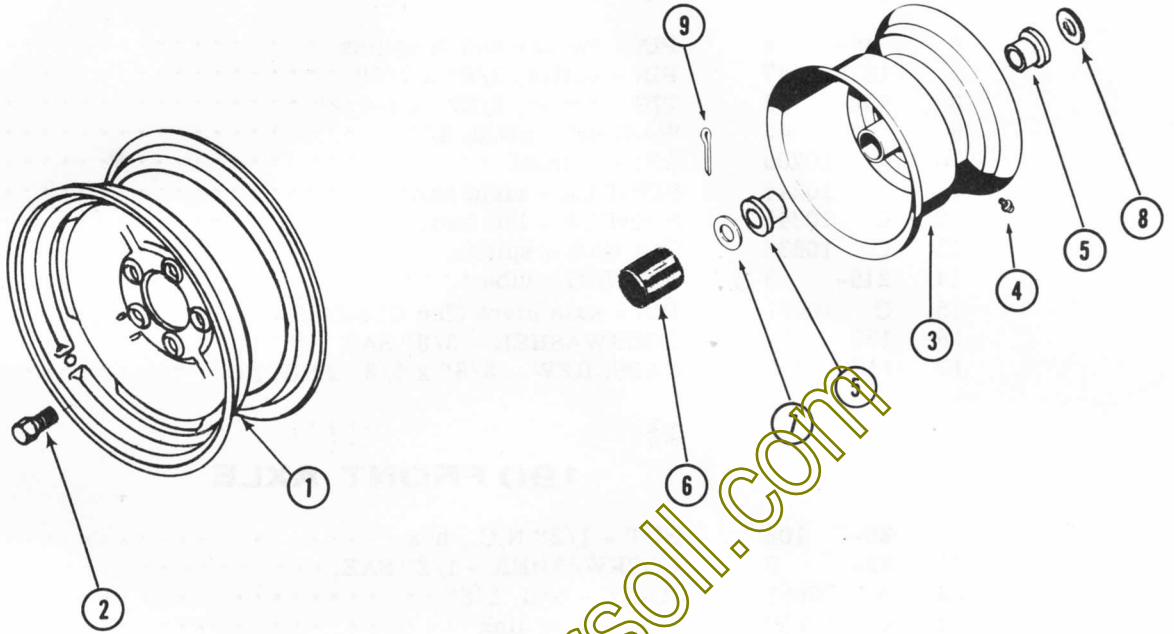


**150 FRONT AXLE**

REF.	PART NO.	DESCRIPTION	REQ'D
1	25- 108	NUT - 1/2" N.C., hex	2
2	92- 8	LOCKWASHER - 1/2" SAE,	2
3	A 70055	JOINT - ball, 1/2"	1
4	C 10247	ROD - drag link	1
6	141- 6	PIN - tie bar and drag link	3
7	132- 47	PIN - cotter, 1/8" x 7/8"	3
8	132- 73	PIN - cotter, 5/32" x 1-1/2"	2
9	195- 45	WASHER - plain, 3/4"	2
10	C 10209	AXLE - front	1
11	C 10240	SPINDLE - right hand	1
12	C 10241	SPINDLE - left hand	1
13	C 10235	TIE BAR - spindle	1
14	219- 8	FITTING - lube	3
15	C 10501	PIN - axle pivot (See C10500 for tractor w/PTO)	1
16	192- 21	LOCKWASHER - 3/8" SAE	1
17	113- 205	CAPSCREW - 3/8" x 5/8" FHBUNC	1

**190 FRONT AXLE**

20	25- 108	NUT - 1/2" N.C., hex	6
21	92- 8	LOCKWASHER - 1/2" SAE,	6
22	A 70055	JOINT - ball, 1/2"	3
23	C 10250	ROD - drag link	1
24	132- 47	PIN - cotter, 1/8" x 7/8"	1
25	141- 6	PIN - drag link	1
26	A 70463	WASHER - plain, 1"	2
27	132- 73	PIN - cotter, 5/32" x 1-1/2"	2
28	C 10208	AXLE - front	1
29	C 10215	SPINDLE - right hand	1
30	C 10217	SPINDLE - left hand	1
31	C 10246	TIE ROD	1
32	219- 8	FITTING, lube	3
33	C 10501	PIN - axle pivot (See C10500 for tractor w/PTO)	1
34	192- 21	LOCKWASHER - 3/8" SAE	1
35	113- 205	CAPSCREW - 3/8" x 5/8" FHBUNC	1



casecollecting.com

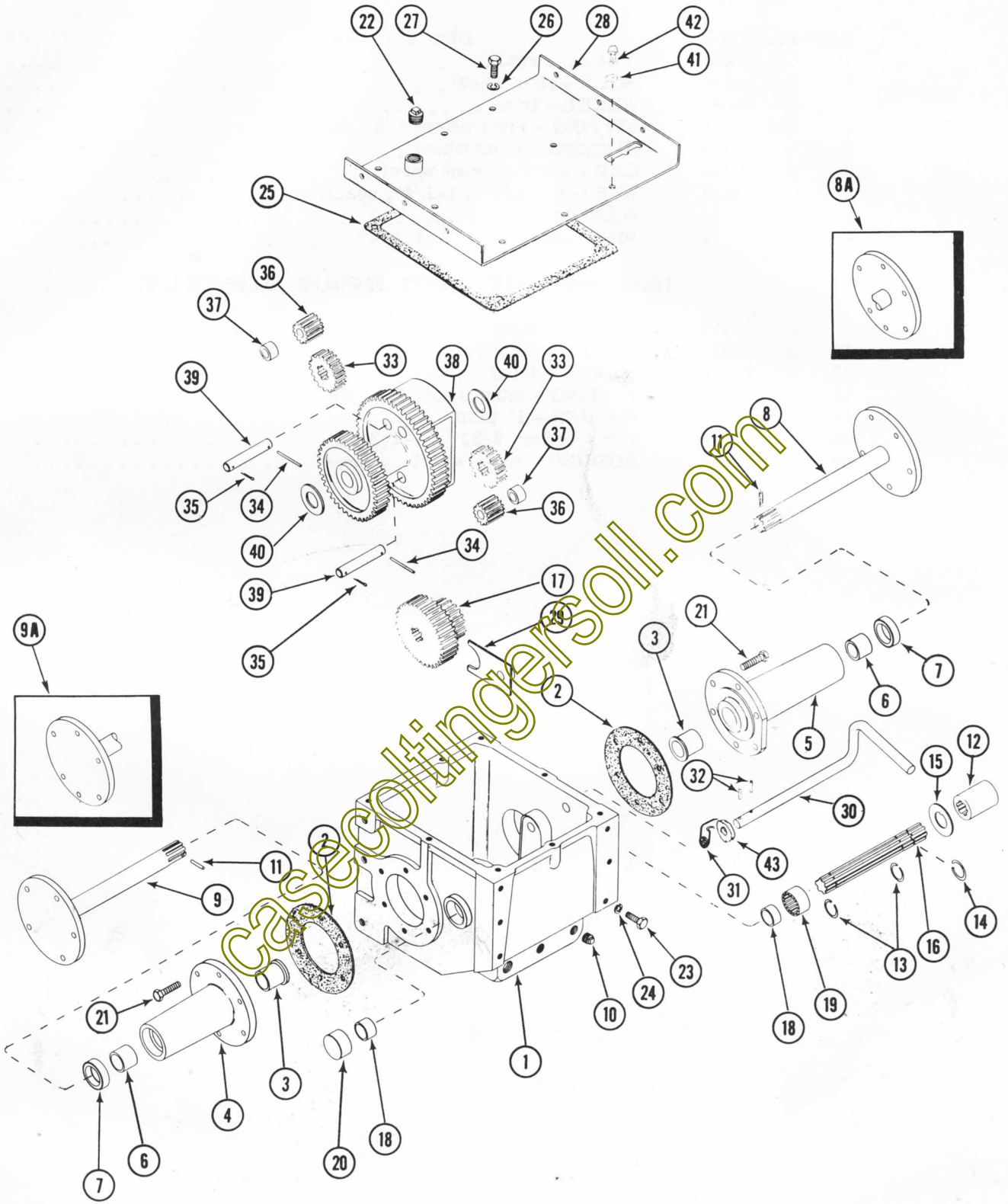
**150 FRONT AND REAR WHEELS**

REF.	PART NO.	DESCRIPTION	REQ'D
1	C 10263	WHEEL - rear . . . . .	2
2	C 10314	BOLT - rear wheel . . . . .	10
3	A 70061	WHEEL - front . . . . .	2
4	219- 1	FITTING - lubrication, 1/8" NPT . . . . .	2
5	A 70398	BUSHING - front wheel . . . . .	4
6	C 10534	CAP - plastic, front wheel . . . . .	2
7	C 10552	WASHER - 3/4" x 1-1/4", spacer . . . . .	2
8	195- 45	WASHER - 3/4" plain . . . . .	2
9	132- 73	PIN - cotter, 5/32" x 1-1/2" . . . . .	2

**190 FRONT AND REAR WHEELS**

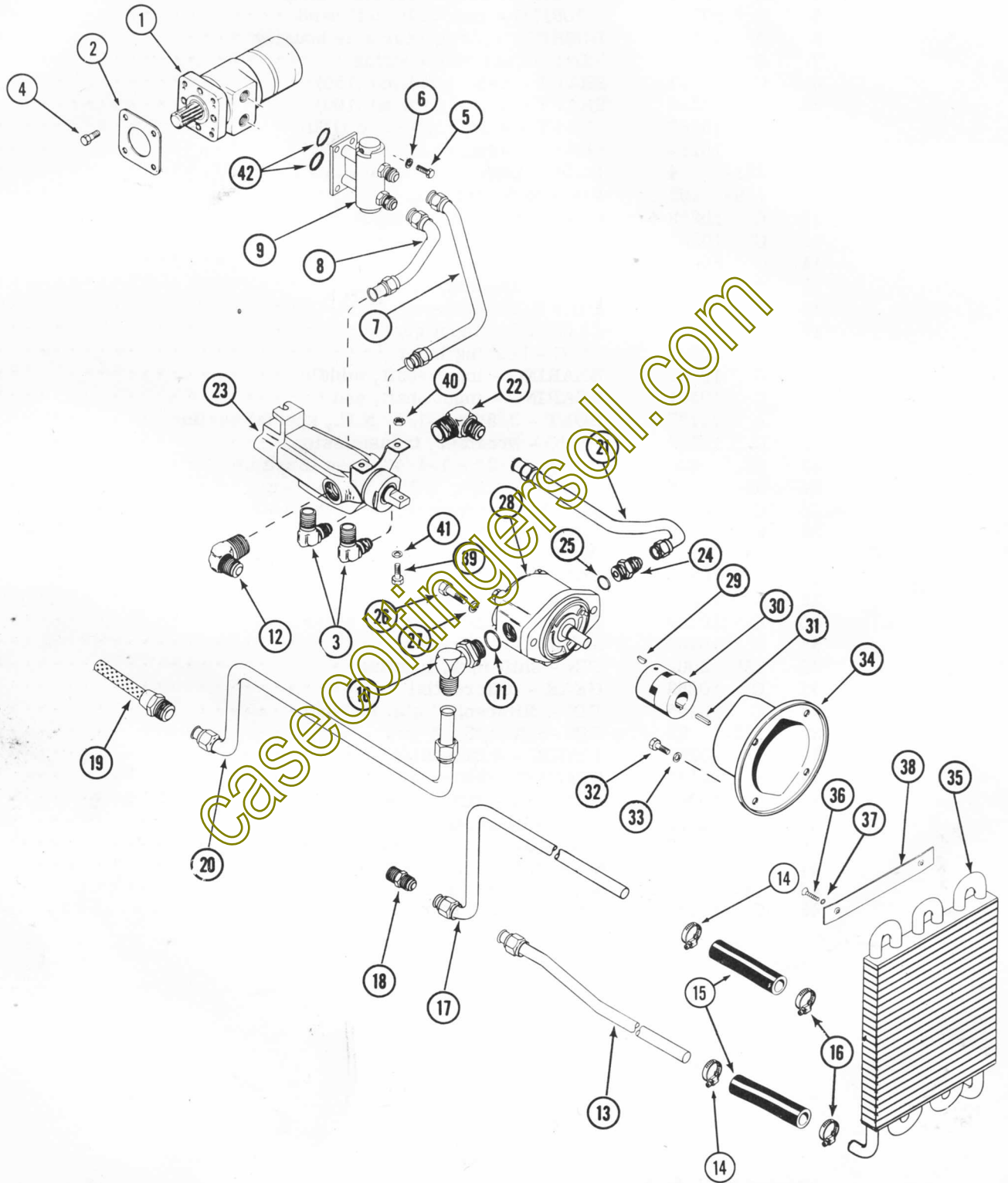
10	C 10317	WHEEL - rear . . . . .	2
11	A 30064	BOLT - rear wheel . . . . .	12
12	A 70479	WHEEL - front . . . . .	2
13	219- 1	FITTING - lubrication, 1/8" NPT . . . . .	2
14	A 70463	WASHER - 1" plain . . . . .	4
15	132- 73	PIN - cotter, 5/32" x 1-1/2" . . . . .	2
16	C 10537	BUSHING - front wheel . . . . .	4

casecoltingersoll.com



TRANSMISSION AND FINAL DRIVE

REF.	PART NO.	DESCRIPTION	REQ'D
1	C 10201	CASE - transmission	1
2	A 70137	GASKET - housing to case	2
3	A 70142	BUSHING - flanged, rear axle housing	2
4	C 10294	HOUSING - rear axle, right hand	1
5	C 10295	HOUSING - rear axle, left hand	1
6	A 70141	BUSHING - plain, rear axle housing	2
7	A 70143	SEAL - rear axle housing	2
8	C 10287	SHAFT - axle, left hand (150)	1
8A	C 10289	SHAFT - axle, left hand (190)	1
9	C 10286	SHAFT - axle, right hand (150)	1
9A	C 10288	SHAFT - axle, right hand (190)	1
10	221- 4	PLUG - pipe, 1/2" square head	1
11	138- 102	PIN - axle retaining	2
12	C 10259	COUPLING - motor input	1
13	C 10882	RING - wire retaining	2
14	C 10291	WASHER - input shaft stop	1
15	B 18208	RING - coupling, retaining	1
16	C 10293	SHAFT, transmission input	1
17	C 10242	CLUSTER - input gear	1
18	C 10299	RING - bearing inner	2
19	C 10300	BEARING - input shaft, middle	1
20	C 10301	BEARING - input shaft, end	1
21	A 70127	BOLT - 3/8" x 1-1/4" N.C., special sealing	12
22	C 10303	PLUG - breather, transmission	1
23	13- 820	BOLT - 1/2" x 1-1/4" case to frame	6
24	92- 8	LOCKWASHER, 1/2" SAE	6
25	C 10302	GASKET - transmission case cover	1
26	92- 5	LOCKWASHER, 5/16" SAE	7
27	13- 512	BOLT - 5/16" x 3/4" N.C., trans. cover	7
28	C 10296	COVER - transmission case	1
29	C 10255	FORK - gear shift	1
30	C 10254	LEVER - shift	1
31	C 10261	SPRING - shift lever	1
32	138- 2002	PIN - shift fork, locating	2
33	C 10253	GEAR - differential	2
34	C 10465	PIN - differential pin, locking	2
35	132- 91	PIN - cotter, 3/16" x 1"	4
36	C 10252	PINION - differential	4
37	A 70131	SPACER - differential pinion	4
38	C 10243	HOUSING - differential gear	1
39	C 10298	PIN - differential pinion	4
40	C 10292	WASHER - transmission	2
41	95- 5	WASHER - 5/16" SAE, plain	3
42	13- 510	BOLT - 5/16" x 5/8" trans. cover	1
43	C 11332	SEAL - shift shaft oil	1



HYDRAULIC SYSTEM

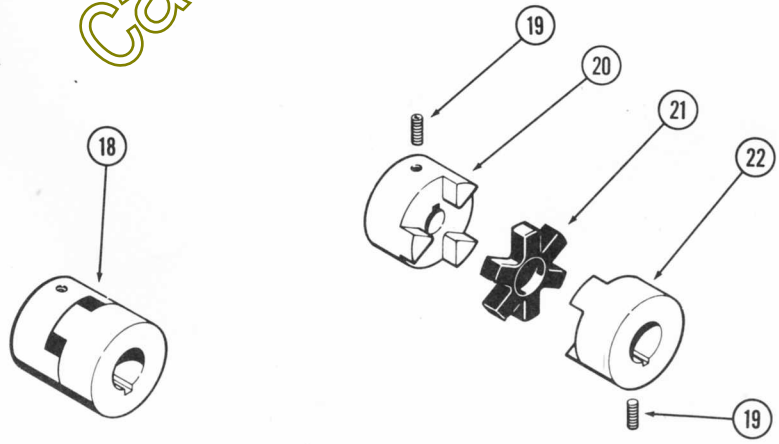
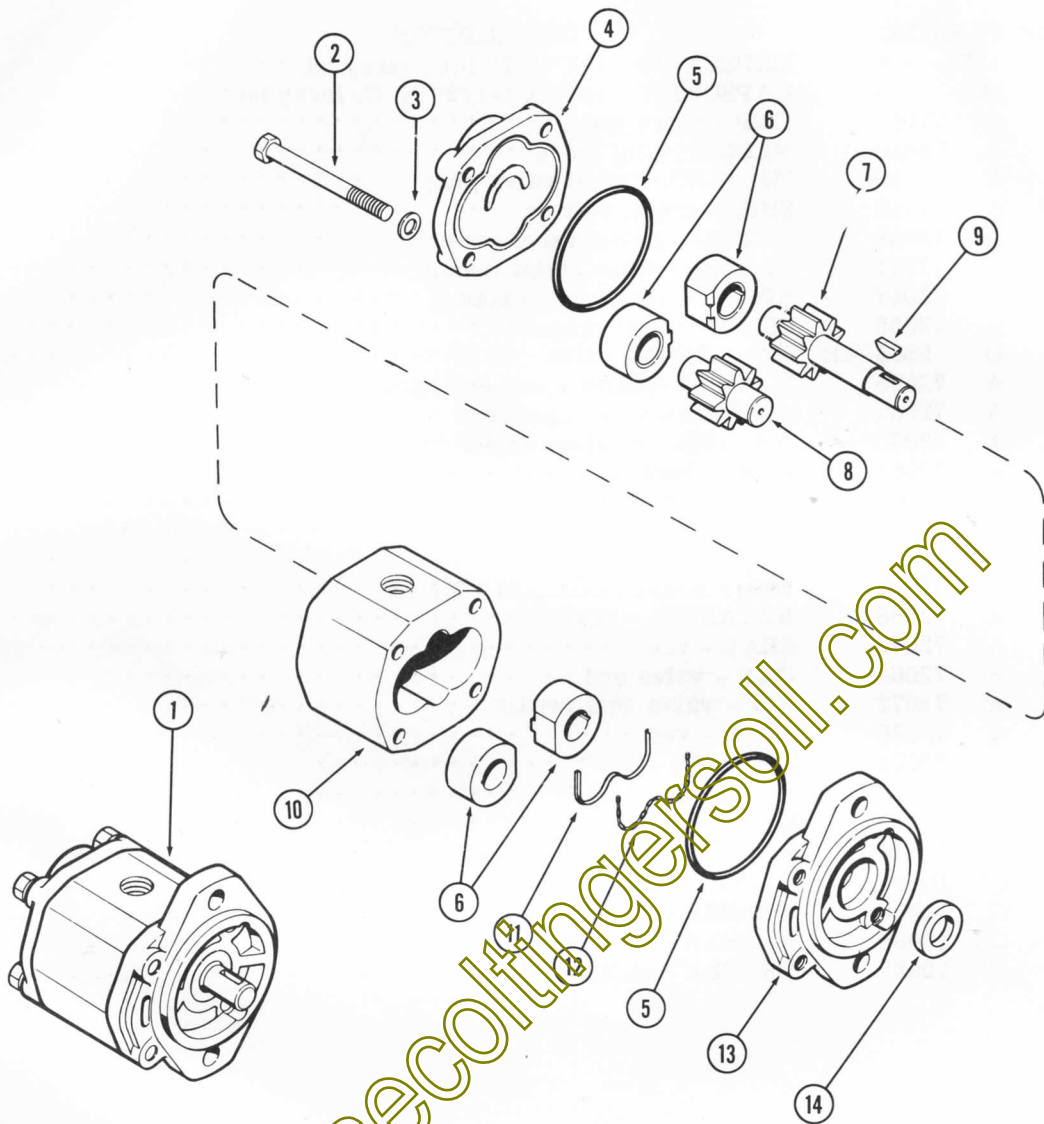
REF.	PART NO.	DESCRIPTION	REQ'D
1	C 10270	MOTOR - hydraulic (190) (Repairs Page 41)	1
1	C 10271	MOTOR - hydraulic (150) (Repairs Page 41)	1
2	A 70128	GASKET - motor to transfer case	1
3	218- 493	FITTING, 90°, 1/2" tube x 1/2" NPT	2
4	A 70127	BOLT - special, Jay-Lock	4
5	166- 23	BOLT - 5/16"-18 x 5/8" N.C.	4
6	193- 29	LOCKWASHER - 5/16" internal tooth	4
7	C 10268	TUBE - frt. valve port to motor	1
8	C 10269	TUBE - rear valve port to motor	1
9	C 10528	VALVE - park and brake (Repairs Page 49)	1
10	218- 5108	FITTING - 90°, 3/4" tube x 1-1/16 thread	1
11	218- 5008	"O" RING - 3/4"	1
12	218- 494	FITTING - 90°, 5/8" tube x 3/4" NPT	1
13	C 10266	TUBE - heat exchanger to valve	1
14	C 10418	CLAMP - hose (tube end)	2
15	C 10419	HOSE	2
16	C 10677	CLAMP - hose (heat exchanger end)	2
17	C 10267	TUBE - trans. to heat exchanger	1
18	218- 445	FITTING - 3/4" tube x 3/4" NPT	1
19	A 70117	FITTING - w/filter	1
20	C 10575	TUBE - pump to transmission	1
21	C 10576	TUBE - pump to valve	1
22	218- 1056	FITTING - 90° elbow, 1/2" tube x 3/4" NPT	1
23	C 10495	VALVE - control (Repairs Page 37)	1
24	218- 5059	FITTING - "O" ring 1/2" tube x 3/4" thread	1
25	218- 5006	"O" RING - 1/2"	1
26	166- 561	SCREW - ferry cap, 7/16"-20 x 1"	2
27	193- 31	LOCKWASHER - 7/16" external tooth	2
28	C 10493	PUMP - hydraulic (190) (Repairs Page 39)	1
28	C 10258	PUMP - hydraulic (150) (Repairs Page 39)	1
29	126- 12	KEY - Woodruff	1
30	A 70111	COUPLING - (Repairs Page 39)	1
31	W 5063-S	KEY - 1/4" square x 3/4"	1
32	113- 207	BOLT - 3/8" x 1" N.C. hex plated	4
33	192- 21	WASHER - 3/8" plated	4
34	C 10559	SUPPORT - hydraulic pump mounting	1
35	C 10262	EXCHANGER - heat	1
36	171- 209	SCREW - 1/4" x 1" N.C. hex plated	4
37	193- 52	LOCKWASHER - 1/4" external tooth	4
38	C 10348	BRACKET, heat exchanger	2
39	73- 410	SCREW - 1/4"-20 x 5/8" N.C. flat head	2
40	25- 104	NUT - 1/4"-20 N.C.	2
41	92- 4	LOCKWASHER - 1/4" SAE	2
42	A 27410	"O" RING - hydraulic motor to brake valve	2



HYDRAULIC CONTROL VALVE

REF.	PART NO.	DESCRIPTION	REQ'D
1	166- 6	CAPSCREW - 1/4" x 1" N.C. ferry hd.	1
2	166- 8	CAPSCREW - 1/4" x 1-1/2" N. C. ferry hd.	1
3	A 72065	CAP - valve end	1
4	A 72059	PLUG - relief valve	1
5	A 7982	"O" RING - relief valve plug	1
6	A 72069	SHIM - relief valve	2
7	A 72058	SPRING - relief valve (outer)	1
8	A 72071	SPRING - valve relief (inner)	1
9	A 72057	SPOOL - relief valve poppet	1
10	A 72055	SEAT - relief valve	1
11	O 9638 AB	SNAP RING - valve	1
12	A 72060	WASHER - valve spool end spacer	2
13	A 72063	SPACER - valve spool end	1
14	A 72066	WASHER - retainer relief valve plug	1
15	A 72067	RING - back up	1
16	A 72062	SEAL - quad ring	2
17	A 72056	PLUG	1
18	A 72061	"O" RING - plug	1
19	A 72052	BODY AND SPOOL ASSY	1
20	A 72068	RETAINER - seal	1
21	A 72070	SEAL - vee	1
22	A 72064	CAP - valve end	1
23	A 72072	KIT - valve seal repair	1
24	A 72070	SEAL - vee	1
25	A 72061	"O" RING - 5/8"	1
26	A 7982	"O" RING - 13/16"	1
27	A 72062	QUAD RING	2
28	T 13224	SEAL - "O" ring	1
29	C 10990	PLUG - conversion	1
30	C 10989	WASHER	1
31	C 10988	WASHER - special	1
32	C 10987	BRACKET MOUNTING	1

casecoltingersoil.com

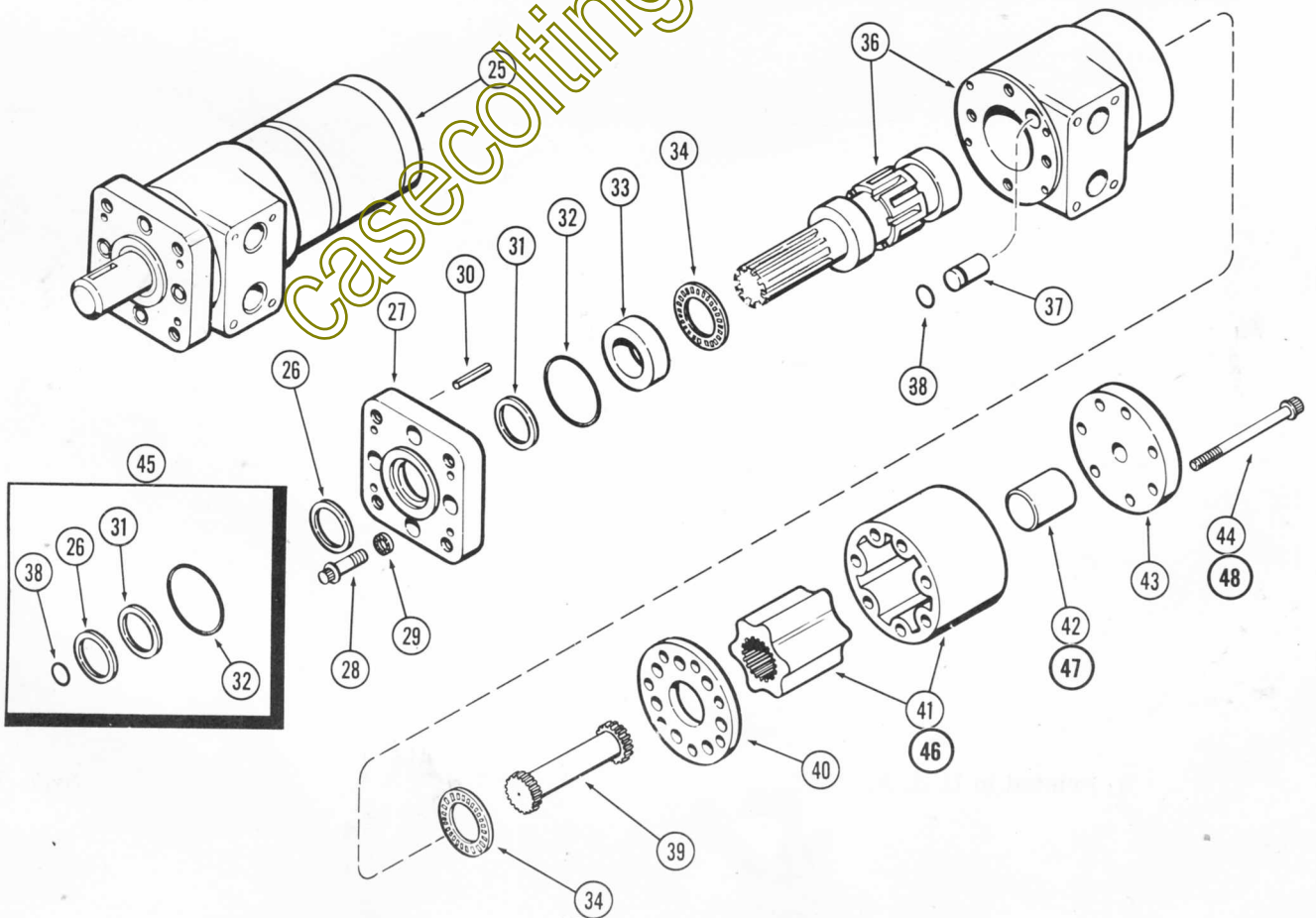
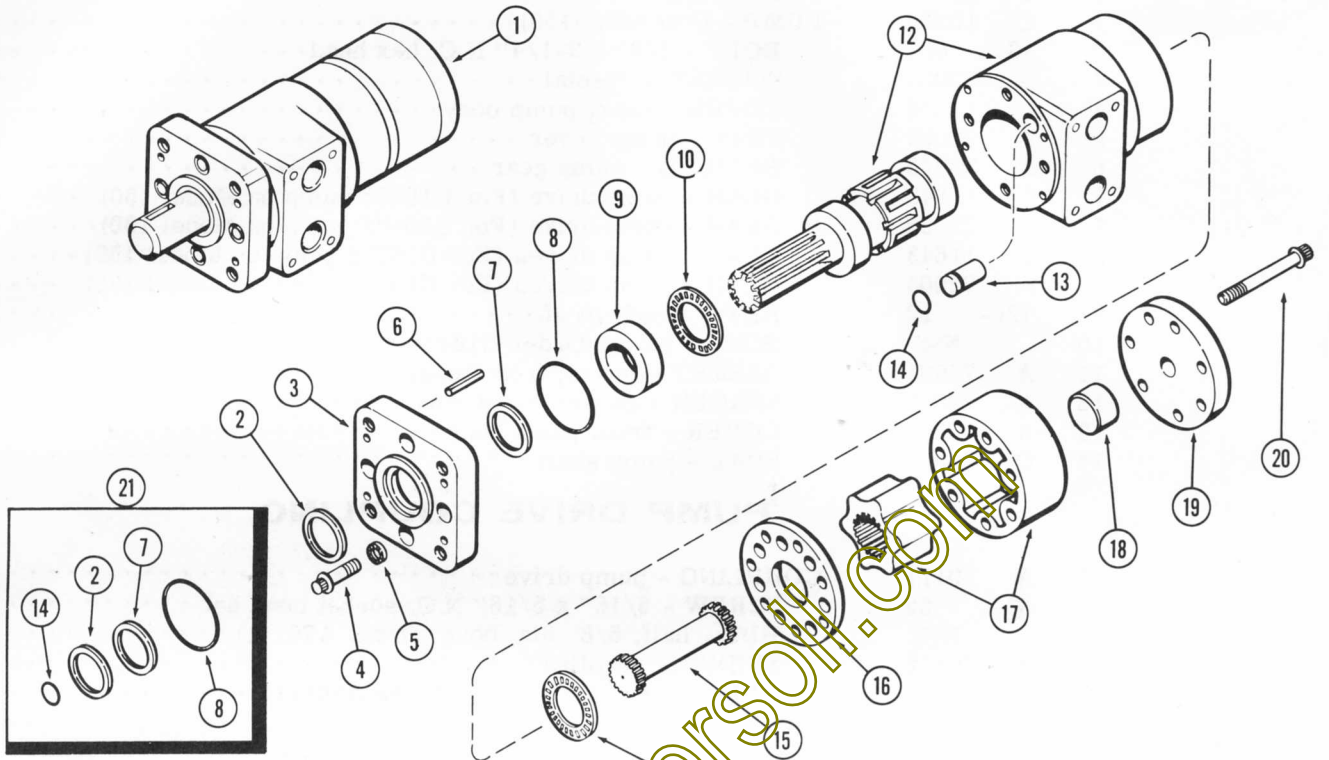


## HYDRAULIC PUMP

REF.	PART NO.	DESCRIPTION	REQ'D
1	C 10493	PUMP - hydraulic (190).....	1
1	C 10258	PUMP - hydraulic (150).....	1
2	13- 652	BOLT - 3/8" x 3-1/4" N.C. hex head.....	4
3	A 72000	WASHER - special.....	4
4	C 11644	COVER - rear, pump body.....	1
5	A 72003	SEAL - pump cover.....	2
6	A 35956	BEARING - pump gear.....	4
7	C 11642	GEAR - pump drive (For C10258 pump on Model 150).....	1
7	A 72005	GEAR - pump drive (For C10493 pump on Model 190).....	1
8	C 11643	GEAR - pump driven (For C10258 pump on Model 150).....	1
8	A 72004	GEAR - pump driven (For C10493 pump on Model 190).....	1
9	126- 12	KEY - Woodruff #6.....	1
10	NSS	BODY - pump (Order C10258 or C10493).....	1
11	A 72001	GASKET - brass, front cover.....	1
12	A 72002	SPACER - gasket, front cover.....	1
13	A 72007	COVER - front pump body.....	1
14	G 13827	SEAL - pump shaft.....	1

## PUMP DRIVE COUPLING

18	A 70111	COUPLING - pump drive.....	1
19	83- 55	SCREW - 5/16" x 5/16" N.C. socket head set.....	2
20	NSS	HUB - half, 5/8" dia. bore (Order A70111).....	1
21	A 70112	SPIDER - coupling.....	1
22	NSS	HUB - half, 1" dia. bore (Order A70111).....	1

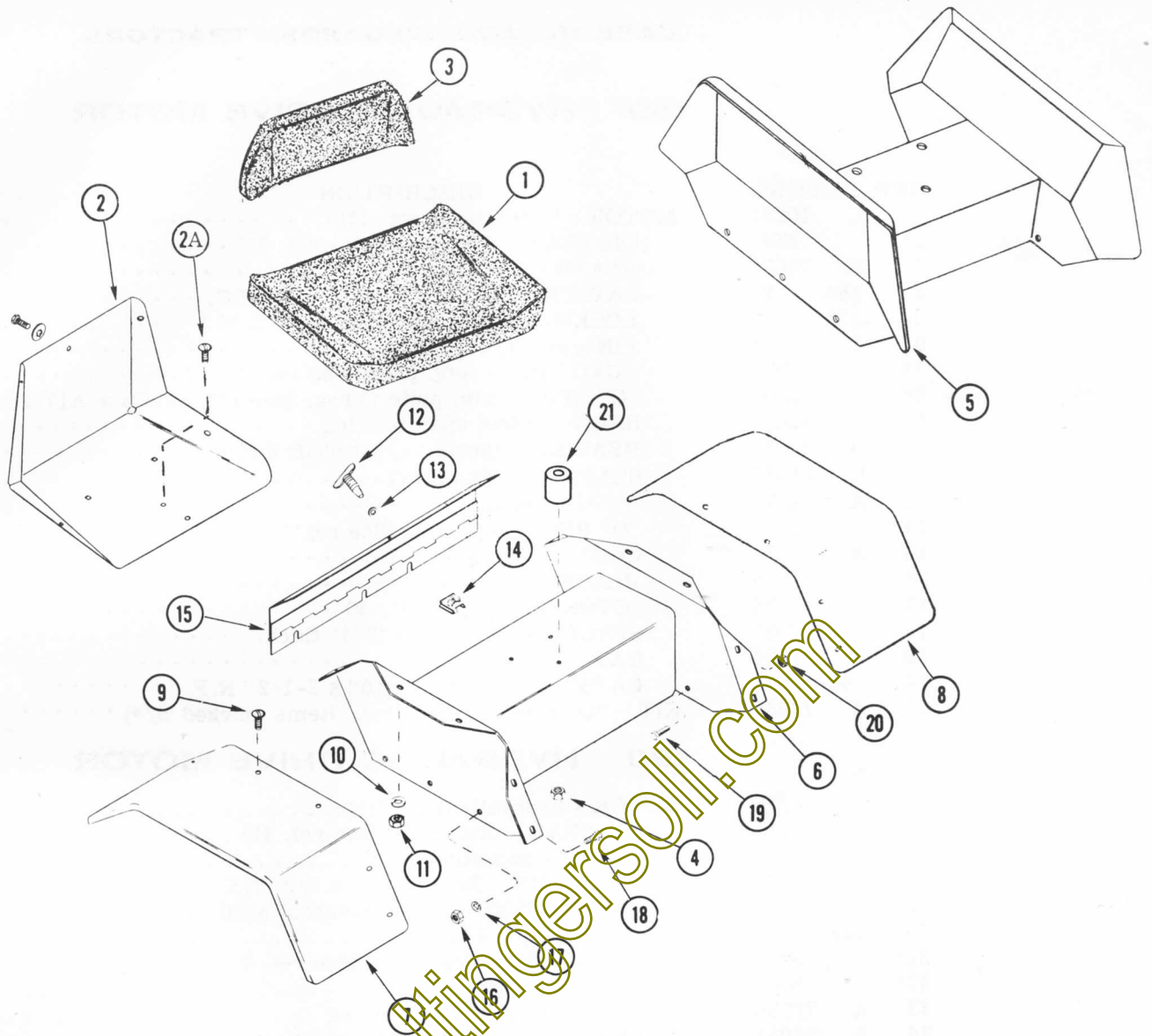


**150 HYDRAULIC DRIVE MOTOR**

REF. PART NO.	DESCRIPTION	REQ'D
1 C 10271	MOTOR - hydraulic drive (150)	1
2* NSS	OIL SEAL - mtg. plate (See ref. 21)	1
3 A 72028	PLATE - mounting	1
4 166- 23	CAPSCREW - ferry 5/16" x 5/8" N.C.	4
5 193- 29	LOCKWASHER - int. shakeproof 5/16"	4
6 138- 134	PIN - roll 1/4" x 1"	4
7* NSS	QUAD RING - mtg. plate (See ref. 21)	1
8* NSS	"O" RING - mtg. plate to hsg. (See ref. 21) Case A17528)	1
9 A 72030	RACE - output shaft bearing	1
10 A 72031	BEARING - thrust, output shaft thrust	2
12 C 11645	SHAFT AND HOUSING	1
13 A 72034	PLUG - housing	1
14* NSS	"O" RING - hsg. plug (See ref. 21)	1
15 A 72027	COUPLING - drive	1
16 A 72026	PLATE - spacer	1
17 A 72025	GEROTOR SET (1-1/4" thick)	1
18 A 72051	SPACER - cplg. drive (3/4" thick)	1
19 A 72024	CAP - end	1
20 166- 531	CAPSCREW - ferry 5/16" x 2-1/2" N.F.	7
21 A 72036	KIT - "O" ring and seal (Incl. items marked w/*)	1

**190 HYDRAULIC DRIVE MOTOR**

25 C 10270	MOTOR - hydraulic drive (190)	1
26* NSS	OIL SEAL - mtg. plate (See ref. 45)	1
27 A 72028	PLATE - mounting	1
28 166- 23	CAPSCREW - ferry 5/16" x 5/8" N.C.	4
29 193- 29	LOCKWASHER - int. shakeproof 5/16"	4
30 138- 134	PIN - roll 1/4" x 1"	4
31* NSS	QUAD RING - mtg. plate (See ref. 45)	1
32* NSS	"O" RING - (See ref. 45)	1
33 A 72030	RACE - output shaft bearing	1
34 A 72031	BEARING - thrust, output shaft	2
36 C 11645	SHAFT AND HOUSING	1
37 A 72034	PLUG - housing	1
38* NSS	"O" RING - housing plug (See ref. 45)	1
39 A 72027	COUPLING - drive	1
40 A 72026	PLATE - spacer	1
41 A 72025	GEROTOR SET (2" thick)	1
42 A 72051	SPACER - cplg. drv. (1-1/2" thick)	1
43 A 72024	CAP - end	1
44 166- 532	CAPSCREW - ferry, 5/16" x 3-1/4" N.F.	7
45 A 72036	KIT - "O" ring and seal (incl. item marked w/*)	1



**150**

**190**

CAUTION: ALWAYS PLACE TRANSMISSION OR SPEED CONTROL IN NEUTRAL TO START ENGINE

GEN. LIGHTS

TRANSMISSION OIL CAP - 10 QTS. MAINTAIN OIL LEVEL ONE INCH FROM TOP OF COVER. USE SAE 10W SHELL ROTELLA IN WINTER. SAE 20W40 SHELL ROTELLA IN SUMMER.

OFF PTO ON

HIGH RANGE NEUTRAL LOW RANGE

F N R

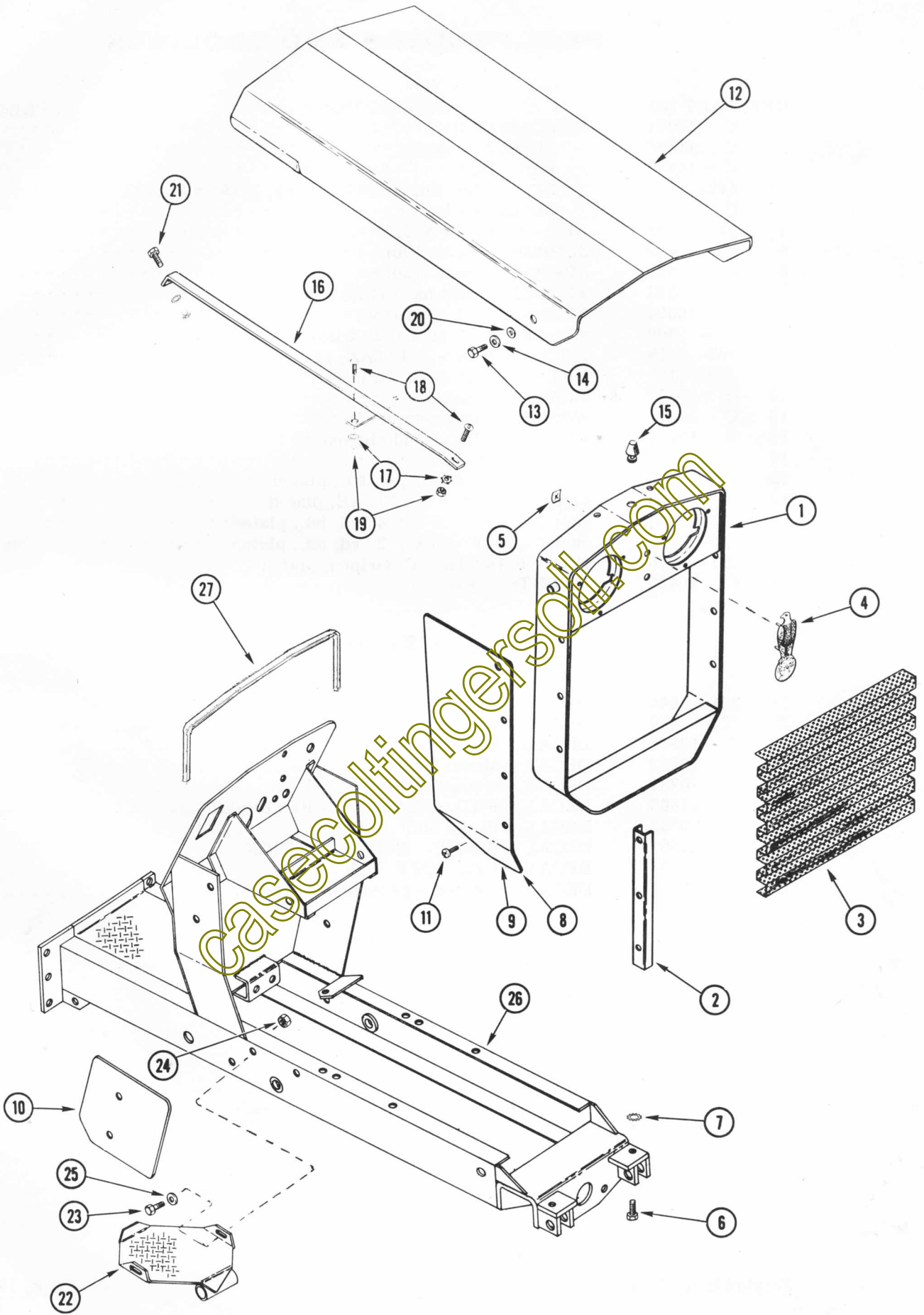
**CASE**

## SEAT, FENDERS AND TOOL BOX

REF.	PART NO.	DESCRIPTION	REQ'D
	C 10421	SEAT ASSEMBLY	1
1	C 11636	CUSHION - seat	1
2	C 11637	PAN - seat	1
2A	111- 207	BOLT - Rd. Hd. Short Sq. Neck, 5/16" x 2" N.C.	3
3	C 11635	CUSHION - back	1
4	131- 351	NUT - 5/16"-18 N.C.	3
5	C 10429	SUPPORT - seat (190)	1
6	C 10380	SUPPORT - seat (150)	1
7	C 10393	FENDER - right hand (150)	1
8	C 10394	FENDER - left hand (150)	1
9	175- 400	SCREW - 1/4"-20 x 1/2" truss head	10
10	192- 19	LOCKWASHER - 1/4" SAE, plated	10
11	129- 101	NUT - 1/4"-20 N.C., fl. head	10
12	C 10423	STUD - tool box latch	1
13	C 10489	WASHER - stud retainer	1
14	C 10490	RECEPTACLE - stud clip-on	1
15	C 10424	DOOR - tool box	1
16	129- 102	NUT - 5/8"-18 N.C., fl. hd., plated	5
17	192- 20	LOCKWASHER - 5/16" SAE, plated	5
18	115- 103	BOLT - 5/16"-18 x 3/4" rd. hd., plated	5
19	115- 104	BOLT - 5/16"-18 x 1/2" rd. hd., plated	1
20	131- 176	NUT - 5/16"-18 N.C. Grapco, plated	1
21	C 10433	MOUNTS - seat	3

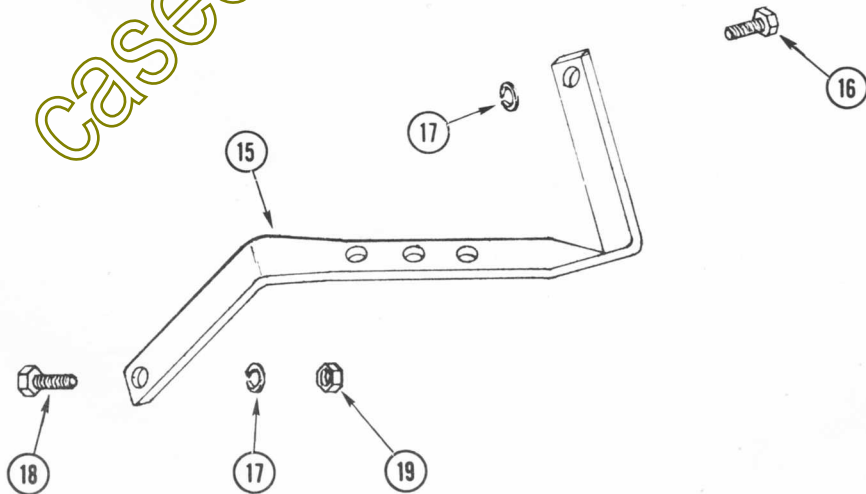
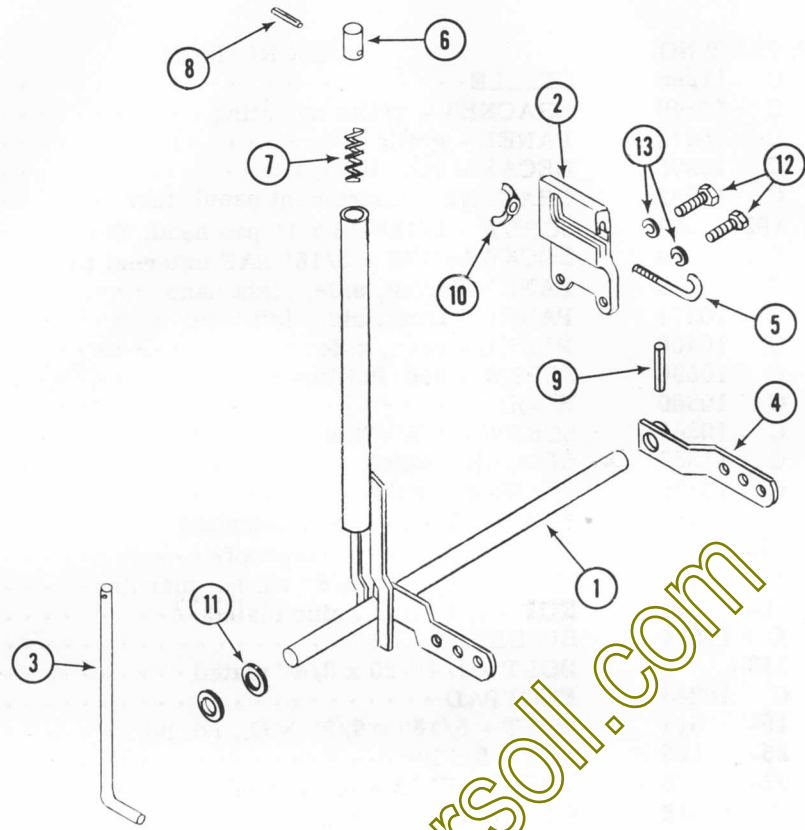
## DECALS

28	321- 846	DECAL - right hand hood CASE	1
29	321- 847	DECAL - left hand hood CASE	1
30	C 10931	DECAL - Model 150	1
31	C 10932	DECAL - Model 190	1
32	A 70231	DECAL - transmission	1
33	C 11663	DECAL - FWD - NEUTRAL - REVERSE	1
34	A 70233	DECAL - Hi-Lo shift	1
35	C 11661	DECAL - BRAKE - INST. - CAUTION	1
36	C 10936	DECAL - PTO - OFF - ON	1
37	C 11647	DECAL - ignition - generator - lights	1



## HOOD, FRAME AND GRILLE

REF. PART NO.	DESCRIPTION	REQ'D
1 C 11295	GRILLE . . . . .	1
2 C 10349	BRACKET - grille mounting . . . . .	2
3 C 10413	PANEL - grille . . . . .	1
4 C 10935	DECAL - radiator grille . . . . .	1
5 C 11582	CHANNEL - instrument panel liner . . . . .	1
6 182- 509	SCREW - 5/16"-18 x 1" pan head, Phillips . . . . .	2
7 193- 9	LOCKWASHER - 5/16" SAE external tooth . . . . .	2
8 C 10370	PANEL - front, side, right hand . . . . .	1
9 C 10371	PANEL - front, side, left hand . . . . .	1
10 C 10408	PANEL - rear, side . . . . .	2
11 C 10596	SCREW - #10 Phillips pan head . . . . .	10
12 C 10360	HOOD . . . . .	1
13 C 10361	SCREW - 1/4"-20 x 1/2", lock, plated . . . . .	2
14 C 11533	SPACER - nylon . . . . .	2
15 C 10439	CUSHION - rubber, hood . . . . .	1
16 C 10483	BRACKET - fuel tank mounting . . . . .	1
17 193- 8	WASHER - 1/4" shakeproof . . . . .	3
18 173- 207	SCREW - 1/4" x 5/8" rd. hd. machine . . . . .	3
19 25- 104	NUT - 1/4" N.C., zinc plated . . . . .	1
20 C 11534	BUSHING . . . . .	2
21 113- 3	BOLT - 1/4"-20 x 3/4" plated . . . . .	1
22 C 10283	FOOTPAD . . . . .	2
23 15- 514	BOLT - 5/16" x 7/8" N.C., rd. hd. . . . .	2
24 25- 105	NUT - 5/16" . . . . .	2
25 92- 5	LOCKWASHER - 5/16" SAE . . . . .	2
26 C 11016	FRAME - instrument panel . . . . .	1
27 C 11582	CHANNEL - instrument panel liner . . . . .	1



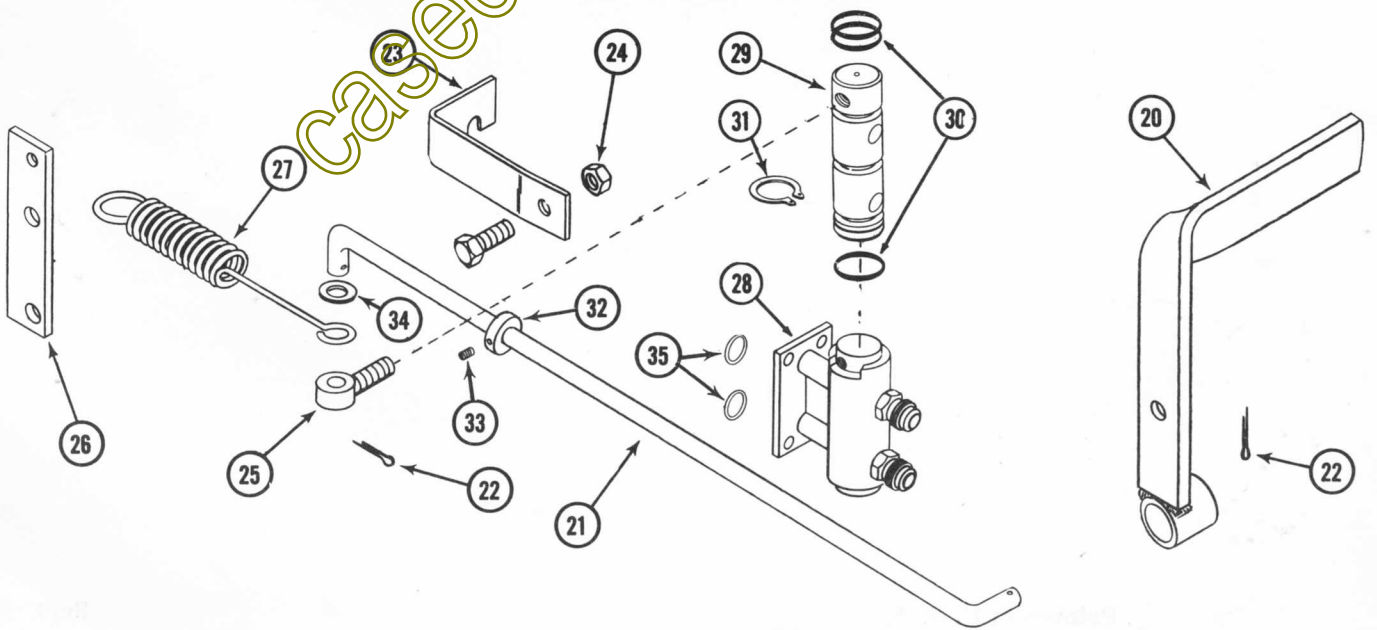
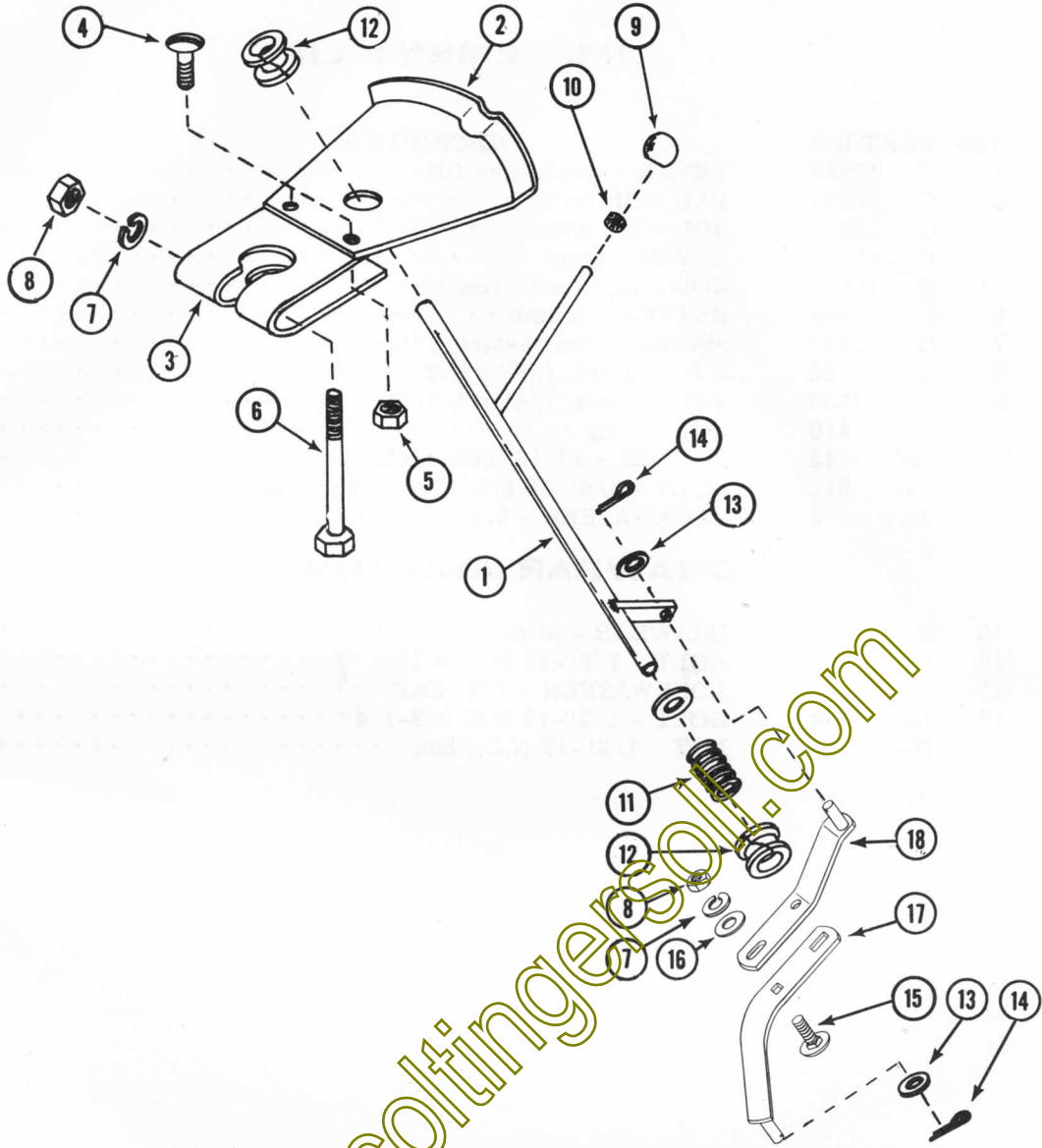
**IMPLEMENT LIFT**

REF.	PART NO.	DESCRIPTION	REQ'D
1	C 10343	LEVER - implement lift	1
2	C 10336	PAD - lift lever	1
3	C 10338	ROD - lift lever	1
4	C 10342	LEVER - pivot	1
5	C 10347	ROD - depth adjusting	1
6	C 10356	BUTTON - thumb	1
7	C 10482	SPRING, compression	1
8	C 10485	PIN - spiral, 1/8" x 3/4"	1
9	138- 2033	PIN - spiral, 1/4" x 1-1/4"	1
10	129- 410	NUT - wing	1
11	195- 45	WASHER - 13/16 SAE, plain	1
12	15- 612	BOLT - 3/8"-16 x 3/4" N.C. hex head	2
13	92- 6	LOCKWASHER - 3/8" SAE	2

**DRAWBAR AND TOW HITCH**

15	C 10449	DRAWBAR - hitch	1
16	15- 816	BOLT - 1/2"-13 N.C. x 1"	1
17	92- 8	LOCKWASHER - 1/2" SAE	2
18	15- 824	BOLT - 1/2"-13 N.C. x 2-1/4"	1
19	25- 108	NUT - 1/2"-13 N.C., hex	1

casecoltingersoll.com



**SPEED CONTROL**

REF.	PART NO.	DESCRIPTION	REQ'D
1	C 10755	CONTROL - lever	1
2	C 11231	QUADRANT - speed control	1
3	C 11230	CLAMP - quadrant	1
4	115- 1	SCREW - 1/4"-20 x 1/2", plated	2
5	131- 350	NUT - 1/4"-20 N.C., self-locking	2
6	15- 528	BOLT - 5/16"-18 x 2-3/4" hex	1
7	92- 5	LOCKWASHER - 5/16" SAE	3
8	25- 105	NUT - 5-1/6"-18 N.C., hex	3
9	C 10562	KNOB - speed control lever	1
10	C 10565	RING - star	1
11	C 10538	SPRING - compression	1
12	C 10571	NYLINER - 1/2" I.D. x 9/16" O.D.	2
13	195- 102	WASHER - 1/4" SAE, plain	2
14	132- 26	PIN - cotter, 3/32" x 1/2"	2
15	12- 516	BOLT - rd. hd, square neck, 5/16"-18 x 1"	2
16	95- 5	WASHER - 5/16" plain	2
17	C 11586*	LINK - weldment	1
18	C 11588*	LINK - speed control	1

\* The two piece control link, as illustrated, replaces all previous types.

**BRAKE**

20	C 10309	PEDAL - brake	1
21	C 10991	ROD - brake-lock	1
22	132- 26	PIN - cotter, 3/32" x 3/4"	2
23	C 11620	LEVER - brake lock	1
24	131- 352	NUT - 3/8"-16, self-locking	1
25	C 10467	ROD-EYE	1
26	C 11531	ANCHOR, spring	1
27	C 11523	SPRING, extension	1
28	C 10528	VALVE - park and brake	1
29	NSS	SPOOL	1
30	F 62075	"O" RING	3
31	B 18208	SNAP RING	1
32	C 11791	STOP - brake rod	1
33	178- 26	SCREW - set, 1/4" x 3/8" N.C. Cone Pt.	1
34	C 11775	WASHER - spring	1
35	A 27410	"O" RING - brake valve to hydraulic motor	2



**ELECTRICAL WIRING AND HARDWARE**

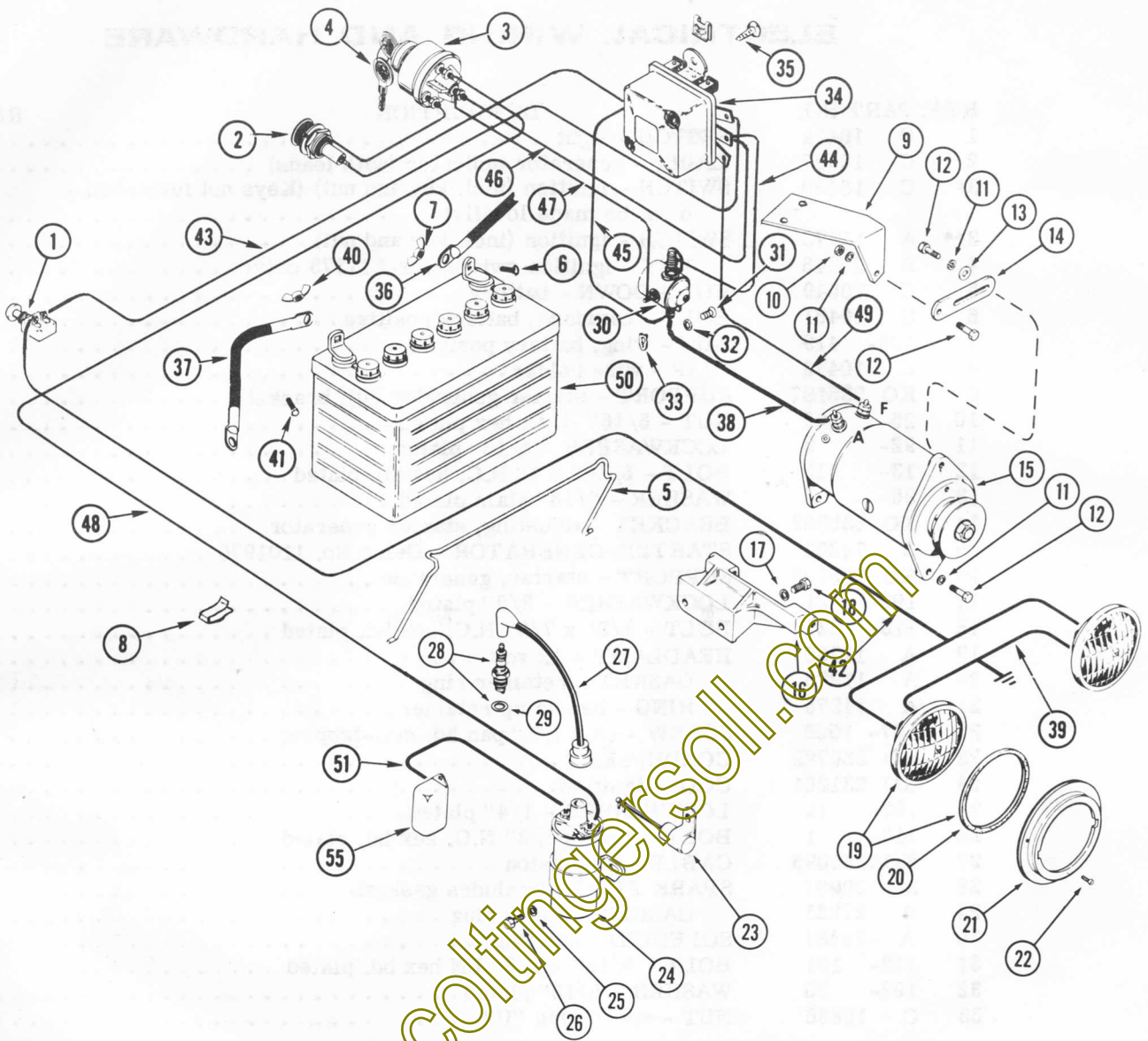
REF.	PART NO.	DESCRIPTION	REQ'D
1	C 10474	SWITCH - light	1
2	C 10397	LIGHT - generator indicator (with leads)	1
3*	C 10450	SWITCH - ignition (incl. key and nut) (Keys not furnished - must be made locally)	1
3**	A 11373	SWITCH - ignition (incl. key and nut)	1
4	A 20346	KEY - ignition switch (for A11373 only)	2
5	C 10549	HOLD-DOWN - battery	1
6	C 10461	BOLT - carriage, battery positive	1
7	129- 419	NUT - wing, battery positive	1
8	C 10472	CLIP - wire holder	2
9	KO 235197	SUPPORT - starter generator adj. bracket	1
10	25- 105	NUT - 5/16" N. C. hex plated	2
11	92- 5	LOCKWASHER - 5/16" plated	4
12	13- 516	BOLT - 5/16" x 1" N.C. hex hd. plated	4
13	95- 5	WASHER - 5/16" plain plated	1
14	KO 235203	BRACKET - adjusting, starter generator	1
15	A 70202	STARTER-GENERATOR - Delco No. 1101970	1
16	KO 235196	SUPPORT - starter, generator	1
17	192- 21	LOCKWASHER - 3/8" plated	2
18	113- 221	BOLT - 3/8" x 7/8" N.C. hex hd. plated	2
19	A 11280	HEADLAMP - 12 volt	2
20	A 11276	GASKET - retainer ring	2
21	A 11275	RING - headlamp retainer	2
22	187- 1008	SCREW - #6 x 1/2" pan hd. self-tapping	6
23	KO 230722	CONDENSER	1
24	KO 231281	COIL - ignition	1
25	192- 19	LOCKWASHER - 1/4" plated	2
26	113- 1	BOLT - 1/4" x 1/2" N.C. hex hd, plated	2
27	KOA235095	CABLE - hi-tension	1
28	M 20007	SPARK PLUG (includes gasket)	1
29	A 27251	GASKET - spark plug	1
30	A 21481	SOLENOID - starting	1
31	113- 101	BOLT - 5/16" x 1/2" UN hex hd. plated	2
32	192- 20	WASHER - 5/16" plated	2
33	C 10836	NUT - speed type "U"	4

\* Used on Model 190 tractor with serial nos. 9605701 to 9605751 and again beginning with serial no. 9605964 and up.

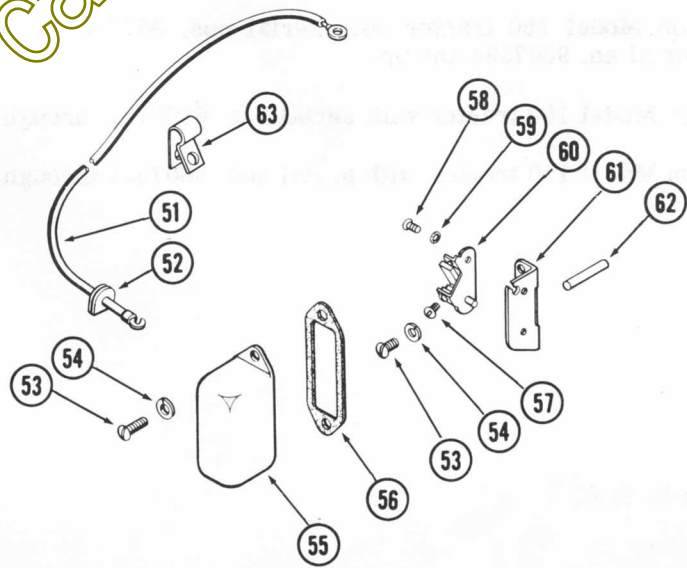
\* Used on Model 150 tractor with serial nos. 9607001 to 9607099 and again beginning with serial no. 9607394 and up.

\*\* Used on Model 190 tractor with serial nos. 9605751 through 9605964.

\*\* Used on Model 150 tractor with serial nos. 9607099 through 9605964.

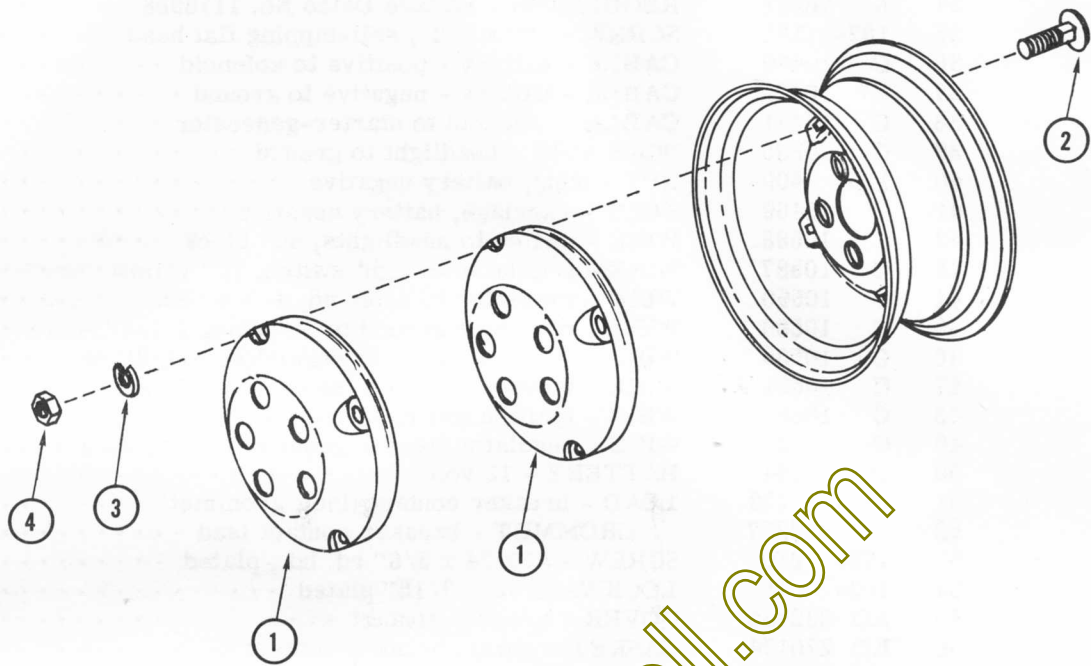


casecollectingsolutions.com

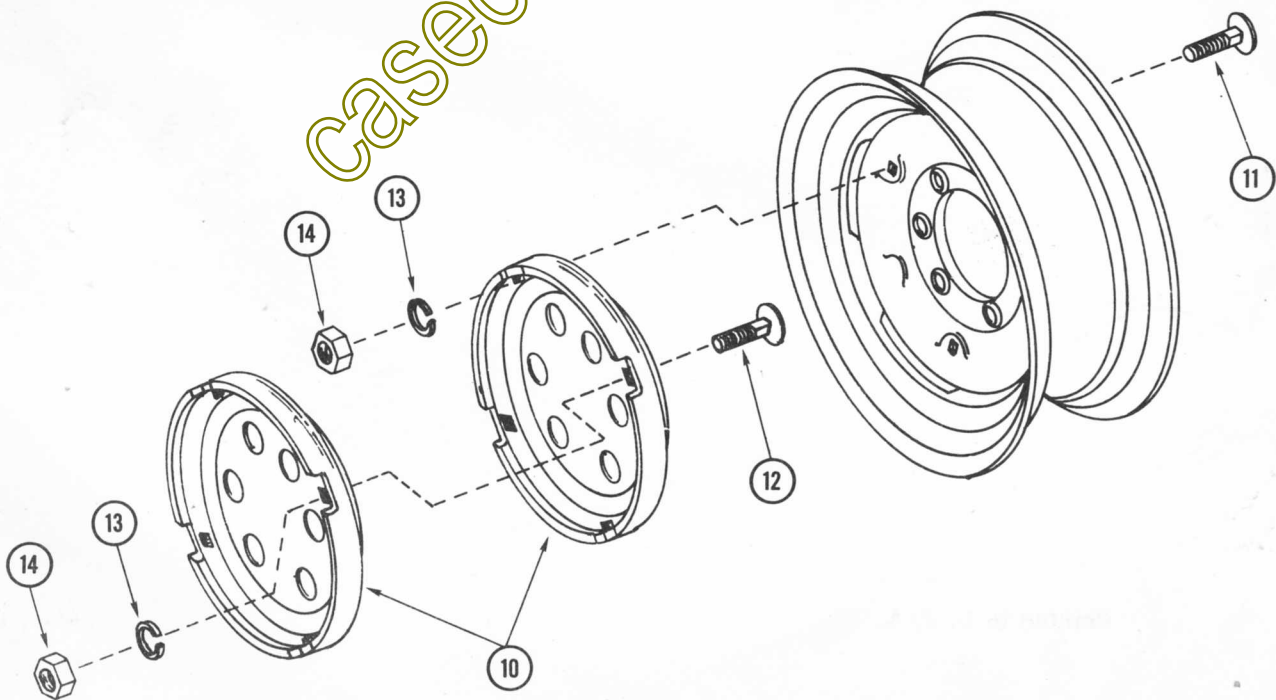


## ELECTRICAL WIRING AND HARDWARE

REF. PART NO.	DESCRIPTION	REQ'D
34 A 70221	REGULATOR - voltage Delco No. 1118988	1
35 187- 131	SCREW - 10" x 1/2", self-tapping flat head	2
36 C 10470	CABLE - battery - positive to solenoid	1
37 C 10473	CABLE - battery - negative to ground	1
38 C 10471	CABLE - solenoid to starter-generator	1
39 C 10985	WIRE ASSY - headlight to ground	1
40 129- 409	NUT - wing, battery negative	1
41 C 10469	BOLT - carriage, battery negative	1
42 C 10588	WIRE - switch to headlights, 40" black	1
43 C 10587	WIRE - regulator to light switch, 10" yellow	1
44 C 10590	WIRE - regulator to solenoid, 4-3/4" black	1
45 C 10586	WIRE - regulator ground to solenoid, 7-1/4" white	1
46 C 10589	WIRE - ignition switch to regulator, 6-1/2" red	1
47 C 10591	WIRE - ignition switch to solenoid, 10" blue	1
48 C 10592	WIRE - ignition switch to coil, 36" green	1
49 C 10585	WIRE - regulator field to generator field, 22-3/4" black	1
50 M 20164	BATTERY - 12 volt	1
51 KOA231533	LEAD - breaker contact (incl. grommet)	1
52 KO 220297	GROMMET - breaker contact lead	1
53 173- 210	SCREW - #10-24 x 3/8" rd. hd. plated	4
54 192- 18	LOCKWASHER - 3/16" plated	4
55 KO 232535	COVER - breaker contact	1
56 KO 220174	GASKET - cover, breaker contact	1
57 187- 408	SCREW - terminal, #6-32 x 3/8" self-tapping	1
58 173- 224	SCREW - breaker contact mtg. #8 x 1/4" N.C. rd. hd.	1
59 193- 5	LOCKWASHER - #8 internal shakeproof	1
60 KO 220475	POINT SET - breaker contact	1
61 KO 220476	BRACKET - mounting breaker contacts	1
62 KOX 389-1	ROD - breaker contact push	1
63 KO 275303	CLIP - breaker contact wire	1



casecollectorsoll.com



**D8 WHEEL WEIGHTS - MODEL 150**

REF. PART NO.	DESCRIPTION	REQ'D
1 NSS	WEIGHT - wheel, 12" (order as machinery item) . . . . .	4
2 C 10860	BOLT - carriage, 1/2" x 3-3/4" . . . . .	8
3 92- 8	LOCKWASHER - 1/2" SAE std. . . . .	8
4 129- 105	NUT - FHNUNC 1/2"-13 . . . . .	8

**D10 WHEEL WEIGHTS - MODEL 190**

10 NSS	WEIGHT - wheel, 15" & 16" (order as machinery item) . . . . .	4
11 11- 840	BOLT - carriage, 1/2"-13 x 2-1/2" . . . . .	4
12 11- 844	BOLT - carriage, 1/2"-13 x 2-3/4" . . . . .	4
13 92- 8	LOCKWASHER - 1/2" SAE std. . . . .	8
14 129- 105	NUT - FHNUNC 1/2"-13 . . . . .	8

casecoltingersoll.com

## NUMERICAL INDEX

PART NO.	PAGE NO.	REF. NO.	PART NO.	PAGE NO.	REF. NO.	PART NO.	PAGE NO.	REF. NO.			
	40035	9	20	A	72005	39	7	A	72071	37	8
	40035	11	20	A	72007	39	13	A	72072	37	23
	40035	13	28	A	72010	27	23	A	72073	19	11
	40035	15	28	A	72011	27	13	A	72073	21	
A	7982	37	5	A	72012	27	14	A	72074	21	20
A	7982	37	26	A	72013	27	20	A	72075	21	31
A	10326	17	55	A	72014	27	17	A	72076	21	16
A	11275	51	21	A	72015	27	19	A	72077	21	15
A	11276	51	20	A	72017	27	22	A	72078	21	24
A	11280	51	19	A	72018	27	25	A	72079	21	23
A	11373	51	3**	A	72020	27	26	A	72080	21	27
A	20346	51	4	A	72021	27	24	A	72081	21	25
A	21481	51	30	A	72022	27	21	A	72082	21	26
A	25423	25	9	A	72024	41	19	A	72083	21	29
A	25441	25	31	A	72024	41	43	A	72084	21	28
A	25447	25	20	A	72025	41	17	A	72085	21	17
A	25461	25	4	A	72026	41	16	A	72086	21	21
A	27251	51	29	A	72026	41	40	A	72087	21	32
A	27410	35	42	A	72027	41	15	A	72088	21	36
A	27410	49	35	A	72027	41	39	A	72089	21	37
A	30064	31	11	A	72028	41	3	A	72090	21	35
A	35956	39	6	A	72028	41	27	A	72091	21	19
A	40736	25	21	A	72030	41	9	A	72092	21	40
A	40736	25	22	A	72030	41	33	A	72093	21	41
A	70055	29	3	A	72031	41	10	A	72094	21	39
A	70055	29	22	A	72031	41	34	A	72095	21	44
A	70056	27		A	72034	41	13	A	72096	21	43
A	70058	27	5	A	72034	41	37	A	72097	21	38
A	70061	31	3	A	72036	41	21	A	72098	21	33
A	70084	17	17	A	72036	41	45	A	72099	21	34
A	70090	5	5	A	72036	25	7	A	72100	13	57
A	70099	19	16	A	72039	25	5	A	72100	15	57
A	70100	19	3	A	72040	25	6	A	72100	19	10
A	70103	19	31	A	72041	25	23	A	72101	21	30
A	70103	19	22	A	72042	25	10	A	72102	21	22
A	70111	35	30	A	72043	25	17	A	72103	21	46
A	70111	39	18	A	72046	25	32	A	72104	25	2
A	70112	39	21	A	72047	25	33	A	72024	41	19
A	70117	35	19	A	72048	25	11	A	72024	41	43
A	70127	33	21	A	72049	25	18	A	72025	41	17
A	70127	35	4	A	72050	25	29	A	72026	41	16
A	70128	35	2	A	72051	41	18	A	72026	41	40
A	70131	33	37	A	72052	37	19	A	72027	41	15
A	70137	33	2	A	72055	37	10	A	72027	41	39
A	70141	33	6	A	72056	37	17	A	72028	41	3
A	70142	33	3	A	72057	37	9	A	72028	41	27
A	70143	33	7	A	72058	37	7	A	72030	41	9
A	70202	51	15	A	72059	37	4	A	72030	41	33
A	70205	17	21	A	72060	37	12	A	72031	41	10
A	70221	53	34	A	72061	37	18	A	72031	41	34
A	70231	43	32	A	72061	37	25	A	72034	41	13
A	70233	43	34	A	72062	37	16	A	72034	41	37
A	70398	31	5	A	72062	37	27	A	72036	41	21
A	70463	29	26	A	72063	37	13	A	72036	41	45
A	70463	31	14	A	72064	37	22	A	72051	41	18
A	70479	31	12	A	72065	37	3	A	72052	37	19
A	72000	39	3	A	72066	37	14	A	72055	37	10
A	72001	39	11	A	72067	37	15	A	72056	37	17
A	72002	39	12	A	72068	37	20	A	72057	37	9
A	72003	39	5	A	72069	37	6	A	72058	37	7
A	72004	39	8	A	72070	37	21	A	72059	37	4

## NUMERICAL INDEX

PART NO.	PAGE NO.	REF. NO.	PART NO.	PAGE NO.	REF. NO.	PART NO.	PAGE NO.	REF. NO.			
A	72060	37	12	C	10258	35	28	C	10421	43	
A	72061	37	18	C	10258	39	1	C	10423	43	12
A	72061	37	25	C	10259	33	12	C	10424	43	15
A	72062	37	16	C	10261	33	31	C	10427	17	33
A	72062	37	27	C	10262	35	35	C	10429	43	5
A	72063	37	13	C	10263	31	1	C	10433	43	21
A	72064	37	22	C	10266	35	13	C	10439	45	15
A	72065	37	3	C	10267	35	17	C	10449	47	15
A	72066	37	14	C	10268	35	7	C	10450	51	3*
A	72067	37	15	C	10269	35	8	C	10461	51	6
A	72068	37	20	C	10270	35	1	C	10465	33	34
A	72069	37	6	C	10270	41	25	C	10467	49	25
A	72070	37	21	C	10271	35	1	C	10469	53	41
A	72070	37	24	C	10271	41	1	C	10470	53	36
A	72071	37	8	C	10283	45	22	C	10471	53	38
A	72072	37	23	C	10286	33	9	C	10472	51	8
A	72073	19	11	C	10287	33	8	C	10473	53	37
A	72100	13	57	C	10288	33	9A	C	10474	51	1
A	72100	15	57	C	10289	33	8A	C	10479	19	1
A	72100	19	10	C	10291	33	14	C	10482	47	7
A	72105	19	38	C	10292	33	40	C	10483	19	17
A	72106	19	40	C	10293	33	16	C	10483	45	16
A	72107	19	39	C	10294	33	4	C	10485	47	8
A	72108	13	55	C	10295	33	5	C	10487	23	3
A	72108	15	56	C	10296	33	28	C	10489	43	13
A	72108	19	18	C	10298	33	39	C	10490	43	14
A	72108	19	30	C	10299	33	18	C	10492	17	1
A	72108	19	43	C	10300	33	19	C	10493	35	28
A	72109	19	41	C	10301	33	20	C	10493	39	1
A	72110	19	42	C	10302	33	25	C	10495	35	23
A	72111	19	37	C	10303	33	22	C	10500	23	15
A	72112	41	41	C	10309	49	20	C	10501	29	15
A	72113	41	42	C	10311	17	15	C	10501	29	33
B	18208	33	15	C	10311	23	11	C	10502	23	16
B	18208	49	31	C	10312	17	16	C	10503	23	17
B	51975	21	6*	C	10312	23	12	C	10504	23	19
B	51977	21	4*	C	10314	31	2	C	10505	23	20
B	51978	21	2*	C	10317	31	10	C	10506	23	21
B	51979	21	3*	C	10336	47	2	C	10507	23	22
B	51980	21	1*	C	10338	47	3	C	10525	23	2
B	53256	19	21	C	10342	47	4	C	10528	35	9
B	53256	21	21	C	10343	47	1	C	10528	49	28
B	59393	13	48	C	10347	47	5	C	10534	31	6
B	59393	15	48	C	10348	35	38	C	10537	31	16
C	10201	33	1	C	10349	45	2	C	10538	49	11
C	10208	29	28	C	10356	47	6	C	10549	51	5
C	10209	29	10	C	10360	45	12	C	10552	31	7
C	10215	29	29	C	10361	45	13	C	10559	35	34
C	10217	29	30	C	10364	27	6	C	10562	49	9
C	10235	29	13	C	10370	45	8	C	10565	49	10
C	10240	29	11	C	10371	45	9	C	10569	27	1
C	10241	29	12	C	10372	5	16	C	10570	27	3
C	10242	33	17	C	10373	5	15	C	10571	49	12
C	10243	33	38	C	10380	43	6	C	10575	35	20
C	10246	29	31	C	10393	43	7	C	10576	35	21
C	10247	29	4	C	10394	43	8	C	10585	53	49
C	10250	29	23	C	10397	51	2	C	10586	53	45
C	10252	33	36	C	10408	45	10	C	10587	53	43
C	10253	33	33	C	10413	45	3	C	10588	53	42
C	10254	33	30	C	10418	35	14	C	10589	53	46
C	10255	33	29	C	10419	35	15	C	10590	53	44

## NUMERICAL INDEX

PART NO.	PAGE NO.	REF. NO.	PART NO.	PAGE NO.	REF. NO.	PART NO.	PAGE NO.	REF. NO.			
C	10591	53	47	KO	220476	53	61	KO	235287	9	2
C	10592	53	48	KO	230011	7	20	KO	235288	9	16
C	10596	45	11	KO	230011	7	43	KO	235289	9	16
C	10657	19	6	KO	230170-S	7	16	KO	235290	9	16
C	10677	35	16	KO	230170-S	7	39	KO	235353	13	20
C	10678	19	8	KO	230170-S	13	9	KO	235353	13	53
C	10755	49	1	KO	230170-S	15	9	KO	235353	15	20
C	10836	51	33	KO	230722	51	23	KO	235353	15	53
C	10860	55	2	KO	231032	7	5	KO	235368	17	5
C	10880	23	1	KO	231032	13	50	KO	235417	13	45
C	10882	33	13	KO	231032	15	50	KO	235417	15	45
C	10883	23	5	KO	231052	17	49	KO	235476	17	58
C	10931	43	30	KO	231281	51	24	KO	235494	17	41
C	10932	43	31	KO	231355	17	64	KO	235496	17	45
C	10935	45	4	KO	232535	53	55	KO	235526	9	13
C	10936	43	36	KO	235003	9	11	KO	235526	11	13
C	10985	53	39	KO	235003	11	11	KO	235572	9	8
C	10987	37	32	KO	235004	9	7	KO	235573	9	17
C	10988	37	31	KO	235007-S	7	17	KO	235603	17	30
C	10989	37	30	KO	235007-S	7	40	KO	235631	7	10
C	10990	37	29	KO	235007-S	13	10	KO	235656	13	4
C	10991	49	21	KO	235007-S	15	10	KO	235680	17	31
C	11016	45	26	KO	235008	7	15	KO	235757	13	29
C	11230	49	3	KO	235008	7	38	KO	235757	13	54
C	11231	49	2	KO	235010	7	19	KO	235757	15	29
C	11295	45	1	KO	235010	7	42	KO	235757	15	54
C	11332	33	43	KO	235011	7	18	KO	235803	11	8
C	11475	49	34	KO	235011	7	41	KO	235810	13	5
C	11791	49	32	KO	235025	3	16	KO	235810	13	55
C	11523	49	27	KO	235025	13	52	KO	235810	15	5
C	11529	19	2	KO	235025	15	16	KO	235810	15	55
C	11531	49	26	KO	235025	15	52	KO	235811	11	7
C	11533	45	14	KO	235026	13	17	KO	235815	15	31
C	11534	45	20	KO	235026	15	17	KO	235818	13	35
C	11545	19	15	KO	235047	7	9	KO	235818	15	35
C	11582	45	5	KO	235048	7	6	KO	235820	15	4
C	11582	45	27	KO	235048	13	51	KO	235826	7	14
C	11586 *	49	17	KO	235048	15	51	KO	235826	7	37
C	11588 *	49	18	KO	235052	17	7	KO	235868	11	17
C	11620	49	25	KO	235053	7	27	KO	235889	11	2
C	11635	43	3	KO	235053	7	50	KO	235890	11	16
C	11636	43	1	KO	235054	17	14	KO	235891	11	16
C	11637	43	2	KO	235062	13	31	KO	235892	11	16
C	11642	39	7	KO	235084	17	52	KO	235900	17	39
C	11643	39	8	KO	235085	17	51	KO	235950	13	23
C	11644	39	4	KO	235086	17	50	KO	235950	15	23
C	11645	45	12	KO	235097	19	35	KO	235951	17	11
C	11645	41	36	KO	235117	7	8	KO	235954	13	38
C	11647	43	37	KO	235118	7	7	KO	235954	15	38
C	11661	43	35	KO	235125-S	13	11	KO	235955	17	4
C	11663	43	33	KO	235125-S	15	11	KO	240013	7	21
C	11665	19	7	KO	235175	15	2	KO	240013	7	44
D	32477	25	25	KO	235125-S	17	62	KO	240282	19	19
F	19645	27	12	KO	235175	13	2	KO	270889	13	3
F	62075	49	30	KO	235196	51	16	KO	270889	15	3
G	13827	39	14	KO	235197	51	9	KO	271077	13	1
KO	220174	13	49	KO	235207	17	6	KO	271077	15	1
KO	220174	15	49	KO	235203	51	14	KO	271171	19	25A
KO	220174	53	56	KO	235260	25	34	KO	275066	7	26
KO	220297	53	52	KO	235277	17	56	KO	275066	7	49
KO	220475	53	60	KO	235278	17	57	KO	275067	7	26
								KO	275067	7	49

## NUMERICAL INDEX

PART NO.	PAGE NO.	REF. NO.	PART NO.	PAGE NO.	REF. NO.	PART NO.	PAGE NO.	REF. NO.
KO	275143	7	4					
KO	275220	7	3					
KO	275303	53	63					
KO	275341	5	10					
KO	275341	13	58					
KO	275341	15	58					
KO	275341	19	14					
KO	275690	17	48					
KOA	536	5	3					
KOA	231533	53	51					
KOA	235095	51	27					
KOA	235100	5	1					
KOA	235139	9	10					
KOA	235139-10	9	18					
KOA	235256	17	59					
KOA	236293	15	7					
KOA	236303	13	7					
KOA	235327	7	22					
KOA	235327	7	45					
KOA	235361	19	27					
KOA	235569	9	15					
KOA	235571	9	15					
KOA	235611	9	6					
KOA	235616	9	15					
KOA	235646	7	25					
KOA	235646	7	48					
KOA	235711	9	22					
KOA	235737	13	8					
KOA	235743	17	61					
KOA	235747	13	6					
KOA	235747	15	6					
KOA	235807	19	27					
KOA	235827	11	6					
KOA	235828	11	10					
KOA	235828-10	11	18					
KOA	235845	19	25					
KOA	235865	11	15					
KOA	235866	11	15					
KOA	235867	11	15					
KOA	235949	11	22					
KOA	235952	15	8					
KOA	236205	19	25					
KOA	275366	19	25A					
KOX	22-35	9	12					
KOX	22-35	11	12					
KOX	25-55	17	63					
KOX	25-67	17	47					
KOX	25-71	9	25					
KOX	25-71	11	25					
KOX	119-16	9	26					
KOX	119-16	11	26					
KOX	119-16	13	37					
KOX	119-16	15	37					
KOX	271-30	9	24					
KOX	271-30	11	24					
KOX	271-30	13	34					
KOX	271-30	13	46					
KOX	271-30	15	34					
KOX	271-30	15	46					
KOX	293-4	13	12					
KOX	293-4	15	12					
KOX	293-4	17	60					
KOX	366-1	9	23					
KOX	366-1	11	23					
KOX	379-6	9	19					
KOX	379-6	11	19					
KOX	379-6	13	27					
KOX	379-6	13	47					
KOX	379-6	15	27					
KOX	379-6	15	47					
KOX	389-1	53	62					
M	20007	51	28					
M	20164	53	50					
O	9638AB	37	11					
R	15077	25	19					
R	15079	25	13					
R	15087	25	3					
R	15090	25	8					
R	15105	25	36					
R	15106	25	1					
R	16147	25	12					
R	16148	25	16					
R	16170	25	30					
T	13224	37	28					
W	5063-S	9	21					
W	5063-S	11	21					
W	5063-S	13	41					
W	5063-S	15	41					
W	5063-S	35	31					
<b>HARDWARE CODE NUMBERS</b>								
11-	840	55	11			71-	410	5
11-	844	55	12			71-	410	19
12-	516	49	15			73-	410	35
13-	510	33	42			83-	55	39
13-	512	33	27			83-	56	23
13-	516	33	27			92-	4	7
13-	516	51	12			92-	4	27
13-	844	27	9			92-	4	35
13-	852	39	2			92-	5	5
13-	820	33	23			92-	5	23
15-	420	17	42			92-	5	33
15-	512	23	7			92-	5	45
15-	514	45	23			92-	5	49
15-	528	49	6			92-	6	17
15-	612	47	12			92-	6	27
15-	816	47	16			92-	6	47
15-	824	47	18			92-	8	29
25-	104	7	1			92-	8	29
25-	104	17	44			92-	8	33
25-	104	35	40			92-	8	47
25-	104	45	19			92-	8	55
25-	105	23	9			92-	8	55
25-	105	45	24			95-	5	33
25-	105	49	8			95-	5	49
25-	105	51	10			95-	5	51
25-	108	47	19			95-	6	17
25-	108	29	1			111-	207	43
25-	108	29	20			113-	1	51
25-	224	19	5			113-	2	17
25-	1510	27	4			113-	3	45
25-	1510	27	16			113-	6	13
41-	18	13	13			113-	6	15
41-	18	15	13			113-	6	17
61-	510	5	18			113-	101	51
						113-	103	19
						113-	103	19
						113-	203	17
						113-	205	29
						113-	205	29
						113-	205	29
						113-	206	13
						113-	206	15
						113-	206	15
						113-	207	13
						113-	207	15
						113-	207	15
						113-	207	35
						113-	208	13
						113-	208	15
						113-	208	15
						113-	221	23
						113-	221	51
						115-	1	49
						115-	103	43
						115-	104	43
						115-	104	43
						115-	204	13
						115-	204	15
						115-	204	15
						126-	12	35
						126-	12	39
						126-	22	23
						126-	111	25
						129-	37	17
						129-	101	43
						129-	102	43
						129-	105	55

## NUMERICAL INDEX

PART NO.	PAGE NO.	REF. NO.	PART NO.	PAGE NO.	REF. NO.	PART NO.	PAGE NO.	REF. NO.
129- 105	55	14	192- 19	15	18	219- 1	31	13
129- 409	5	2	192- 19	43	10	219- 8	29	14
129- 409	53	40	192- 19	51	25	219- 8	29	32
129- 410	47	10	192- 19	17	2	219- 14	27	18
129- 419	51	7	192- 19	17	9	221- 2	13	26
129- 501	27	8	192- 19	17	13	221- 2	15	26
131- 176	43	20	192- 19	17	46	221- 4	33	10
131- 350	49	5	192- 20	19	12	222- 41	19	32
131- 351	43	4	192- 20	43	17	222- 101	19	33
131- 352	49	24	192- 20	51	32	222- 112	19	34
132- 24	23	4	192- 21	13	15	222- 4021	19	36
132- 26	49	14	192- 21	13	24	321- 846	43	28
132- 26	49	22	192- 21	13	32	321- 847	43	29
132- 47	29	7	192- 21	13	39			
132- 47	29	24	192- 21	15	15			
132- 73	29	8	192- 21	15	24			
132- 73	29	27	192- 21	15	32			
132- 73	31	9	192- 21	15	39			
132- 73	31	15	192- 21	23	23			
132- 91	33	35	192- 21	29	16			
138- 102	33	11	192- 21	29	34			
138- 134	41	6	192- 21	35	33			
138- 134	41	30	192- 21	51	17			
138- 2002	33	32	192- 26	25	35			
138- 2033	47	9	193- 5	53	59			
141- 2	23	6	193- 8	45	17			
141- 6	29	6	193- 9	45	7			
141- 6	29	25	193- 29	45	6			
166- 6	37	1	193- 29	45	5			
166- 8	37	2	193- 29	45	29			
166- 23	35	5	193- 31	35	27			
166- 23	41	4	193- 52	35	37			
166- 23	41	28	193- 60	5				
166- 531	41	20	193- 60	19	29			
166- 532	41	44	193- 70	17	36			
166- 561	35	26	195- 17	23	10			
169- 77	21	42	195- 45	29	9			
171- 209	35	36	195- 45	31	8			
173- 207	45	18	195- 45	47	11			
173- 210	53	53	195- 102	49	13			
173- 215	19	7	195- 512	5	9			
173- 224	53	58	195- 515	17	8			
173- 237	25	47	195- 515	17	43			
175- 400	43	9	195- 522	23	25			
175- 436	17	10	195- 545	13	36			
177- 131	5	7	195- 545	15	36			
177- 131	17	37	205- 27	13	30			
178- 26	49	33	205- 27	15	30			
178- 26	49	33	211- 3	21	18			
182- 509	45	6	211- 9	27	28			
187- 131	53	35	214- 253	19	9			
187- 408	53	57	217- 200	19	20			
187- 1008	17	29	218- 445	35	18			
187- 1008	51	22	218- 493	35	3			
192- 8	25	14	218- 494	35	12			
192- 17	25	15	218- 1056	35	22			
192- 18	5	8	218- 5006	35	25			
192- 18	17	54	218- 5008	35	11			
192- 18	25	28	218- 5059	35	24			
192- 18	53	54	218- 5108	35	10			
192- 19	13	18	219- 1	31	4			

***Be Safe...***

***Insist on  
GENUINE***



***PARTS!***

*casecollectingersonline.com*