

Operator's Instruction Manual

**130
Tractors
and
Attachments**



J. I. CASE, CO.

RACINE, WISCONSIN, U.S.A.

TO THE PURCHASER OF A CASE TRACTOR

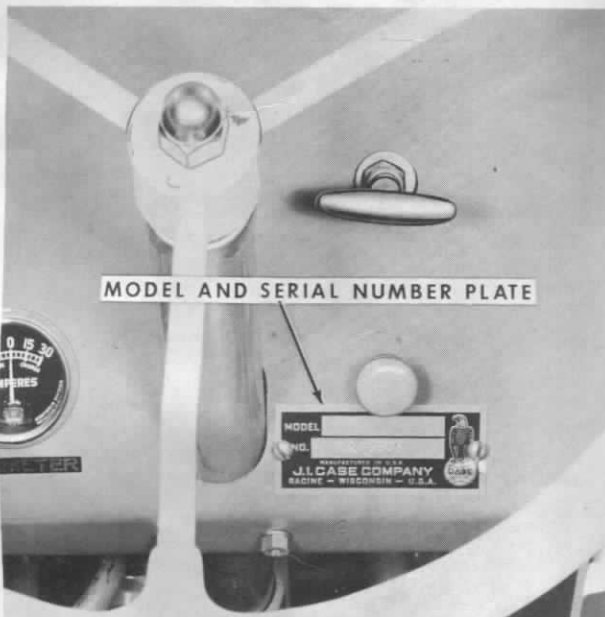
The care you give your new Case Tractor will greatly determine the satisfaction and service life you obtain from it. Use this manual as your guide. By observing the instructions and suggestions in this manual your Case Tractor will serve you well for many years.

As an Authorized Case Dealer, we stock Genuine Case Parts which are manufactured with the same precision and skill as the original equipment. Our factory - trained staff is kept well informed on the best methods of servicing Case equipment and is ready and able to help you.

Should you require additional aid or information, contact us.

Your Authorized Case Dealer

SERIAL NUMBER



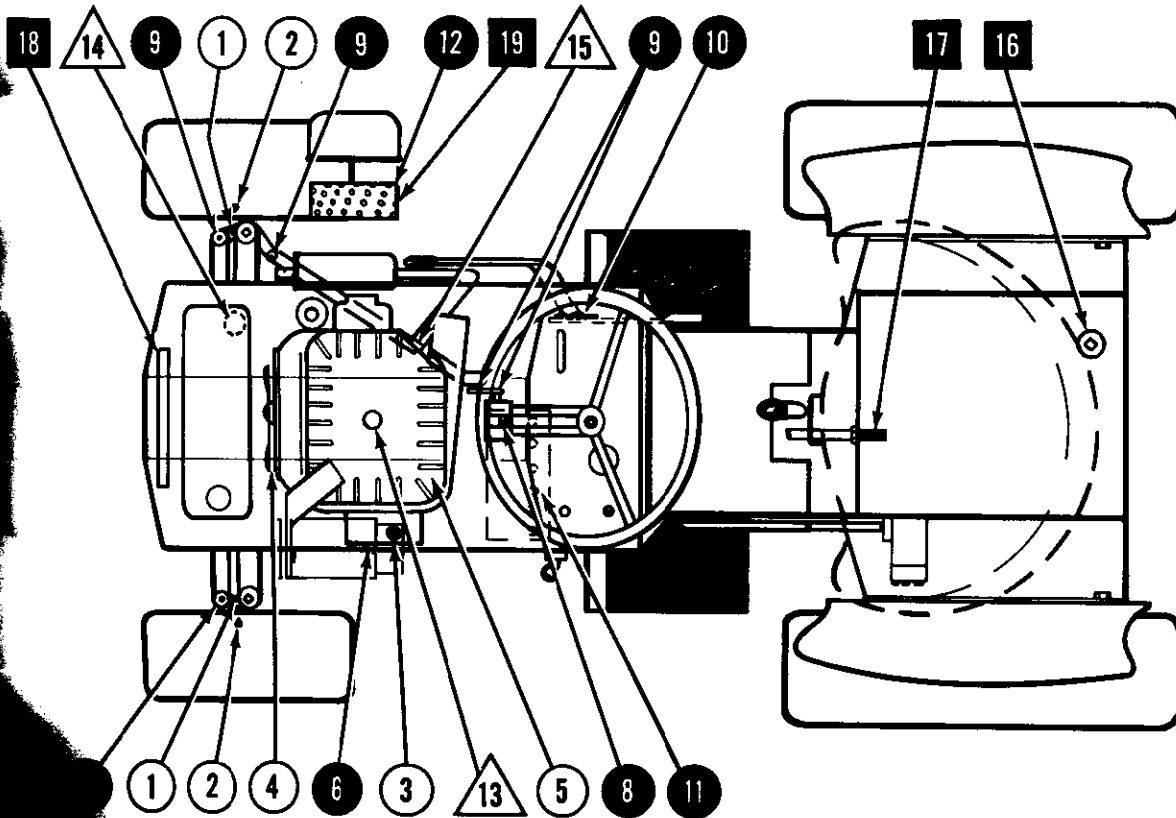
To insure efficient and prompt service, please furnish us with Model, Serial and Engine Numbers in all correspondence or contacts.



Figure 1



Figure 2



REF. NO.	LUBRICATION POINTS	NO. OF POINTS	GREASE	DRAIN	CHECK	CLEAN	CHANGE	OIL (Few Drops)	FREQUENCY
1	Front Spindles	2	■						10 HOURS OR DAILY
2	Front Axles	2	■						
3	Engine Oil *	1		■					
4	Engine Rotating Screen	1		■					
5	Cooling Fins	1		■					
6	Engine Oil *	1		■					25 HOURS OR WEEKLY
7	Air Leaks **	**		■					
8	Steering Gear Box	1	■						
9	Tie Rod, Drag Link	5					■		
10	Implement Lever & Release	3					■		
11	Battery	1		■					120 HOURS
12	Air Cleaner	1		■					
13	Spark Plug ***	1		■					
14	Fuel Tank Sediment Bowl	1		■					1000 HOURS OR YEARLY
15	Breaker Points***	1		■					
16	Transmission Oil *	1		■					1000 HOURS OR YEARLY
17	Transmission Filter	1		■					
18	Oil Cooler (Radiator)	1		■					
19	Air Cleaner Element	1		■					

*Use SAE 30 in summer; SAE 10 in winter; SAE 5W, -0° or below
Keep oil level between marks on gauge.

**Be sure there are no air leaks between gaskets, joints at carburetor, air cleaner and cylinder block.

***Clean and regap. Spark plug .025" - Breaker Points .020"

*Use SAE 10 Shell Rotella in winter; SAE 20W 40 Shell Rotella in summer. Maintain oil level one inch from top of cover.

(Refer to Figure 3)

Your new Case Tractor was delivered to you ready to run. As a precautionary measure, check the oil level in the engine and the transmission before starting.

1. **STARTER KEY** - Your Tractor is equipped with a 12-volt electrical system and key ignition. Turn the key to the right to start the engine. When turning off the engine, turn the key to the left and the key will be in an upright position. Do not turn the key all the way to the left as this is the accessory position on the ignition.
2. **CHOKE** - The choke is located on the upper left hand side of the dashboard and is marked. If the engine is warm the choke will not have to be used.
3. **THROTTLE** - The throttle is located on the upper right side of the dashboard. When the throttle is all the way in the engine should be **idling**. To set the throttle, turn the knob to the left about a quarter of a turn, pull out the **knob until** you reach the desired throttle setting and then lock the throttle in that position by **turning the knob** to the right.
4. **HI-LO RANGE** - The Hi and Lo range lever is located to the rear of the shroud and between the operator's legs. **CAUTION** When moving this lever into Lo or Hi make certain the lever is all the way to the left or to the right. This lever may be in either Lo or Hi when starting as long as the speed control lever is in **neutral**.
5. **SPEED CONTROL LEVER** - This lever is located on the left side of the tractor close to the hood. When this lever is moved forward the tractor will move forward, and when moved rearward the Tractor will reverse. The further you move this lever, the faster the Tractor will go. **CAUTION** Make certain this lever is always in neutral when starting. The neutral or detent position of this lever also serves as a **hill holder**. When driving the Tractor in Lo range and going down a steep grade, place the lever in **neutral** and the Tractor will creep down the steep incline slowly. High range is not recommended on hills or steep inclines.
6. **BRAKING** - The speed control lever also serves as a brake. On level ground the Tractor will come to a nice slow stop when the speed control lever is placed in neutral. If a faster stop is desired bring the speed control lever into **reverse** for just a second and the Tractor will stop immediately. **CAUTION** Always instruct each new operator in the fast stop method.
7. **LIGHT SWITCH** - The light switch is located at the lower right hand side of the dashboard. Pull the light switch out to turn on the head **lights** and push in to turn off the head lights.
8. **AMMETER** - The ammeter is located on the **left side** of the dashboard. When the engine is started, the ammeter should show a maximum **charging rate** and gradually fall back as the battery becomes charged.
9. **IMPLEMENT LEVER** - The implement lever located on the right side of the Tractor is used to raise or lower the implement and hold the implement at this level.
10. **IMPLEMENT RELEASE LEVER** - The implement release lever is operated by the operators right foot for releasing the implement lever catch.

CARBURETOR ADJUSTMENTS

1. With engine running, adjust center vertical screw (top of carburetor) until engine accelerates smoothly at moderate speed without misfiring (too lean a mixture) or smoky exhaust (too rich a mixture).
2. Slow engine to idle and adjust angled screw on side of carburetor for smooth operation.
3. Check and readjust if necessary. Refer to Step 1.

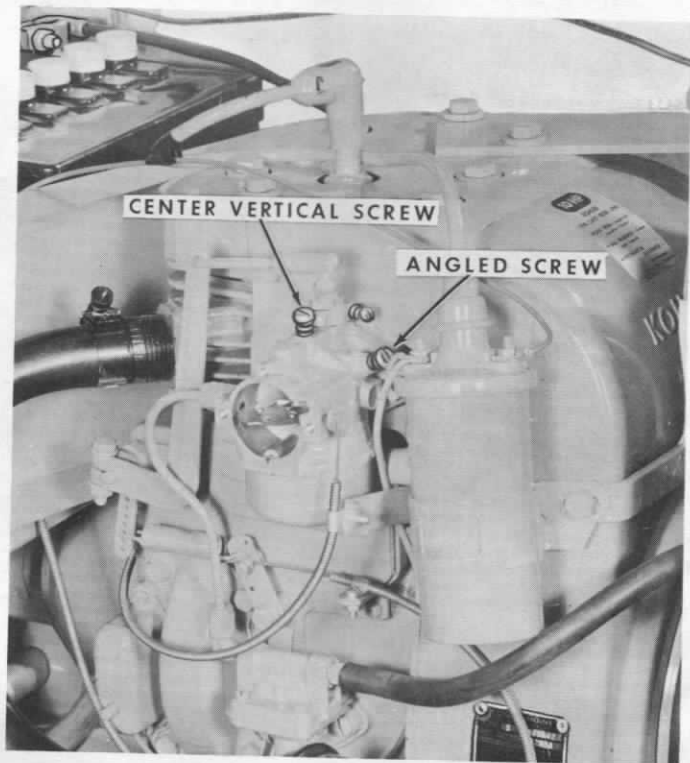


Figure 4

MAINTENANCE

1. Each Day
 - a. Check the oil level. Add oil only as needed, keeping the level between the marks on the gauge.
 - b. Be sure that rotating screen is in proper position and clean. A bent screen will allow chaff and dirt to collect under the shroud and cause the engine to overheat.
2. Every 25 Operating Hours
 - a. Change oil in the crankcase and air cleaner. (Change more often under extremely dusty conditions). Be sure there are no air leaks at gasket joints between air cleaner, carburetor and cylinder block.
 - b. Wipe oil and dirt from fins, shroud and baffles.
 - c. Check breaker points and reset to .020".
 - d. Keep air intake area and cooling fins clean.
3. Every 120 Operating Hours
Make regular 25 hour inspection and in addition:
 - a. Clean spark plug and reset gap to .025".
 - b. Remove, clean and replace the sediment bowl.
4. Instructions for Storing
If your engine is to be out of service for a considerable length of time the following procedure is recommended:
 - a. Drain fuel tank.
 - b. Drain carburetor by loosening nut on bottom of carburetor bowl, and retighten.
 - c. Remove, clean and replace sediment bowl.
 - d. Clean exterior of engine.
 - e. Spread a film of light oil over any exposed surfaces of engine subject to corrosion.
 - f. Pour a tablespoon full of SAE 30 oil into a spark plug hole and crank engine slowly by hand. Replace spark plug.
 - g. Store in dry place.

ELECTRICAL SYSTEM

Headlights

The headlights are 12 volt sealed units. To install a new sealed unit, remove the retainer screws and retainer. Remove the old unit and disconnect the wires. When installing the new unit, be sure the connections are tight.

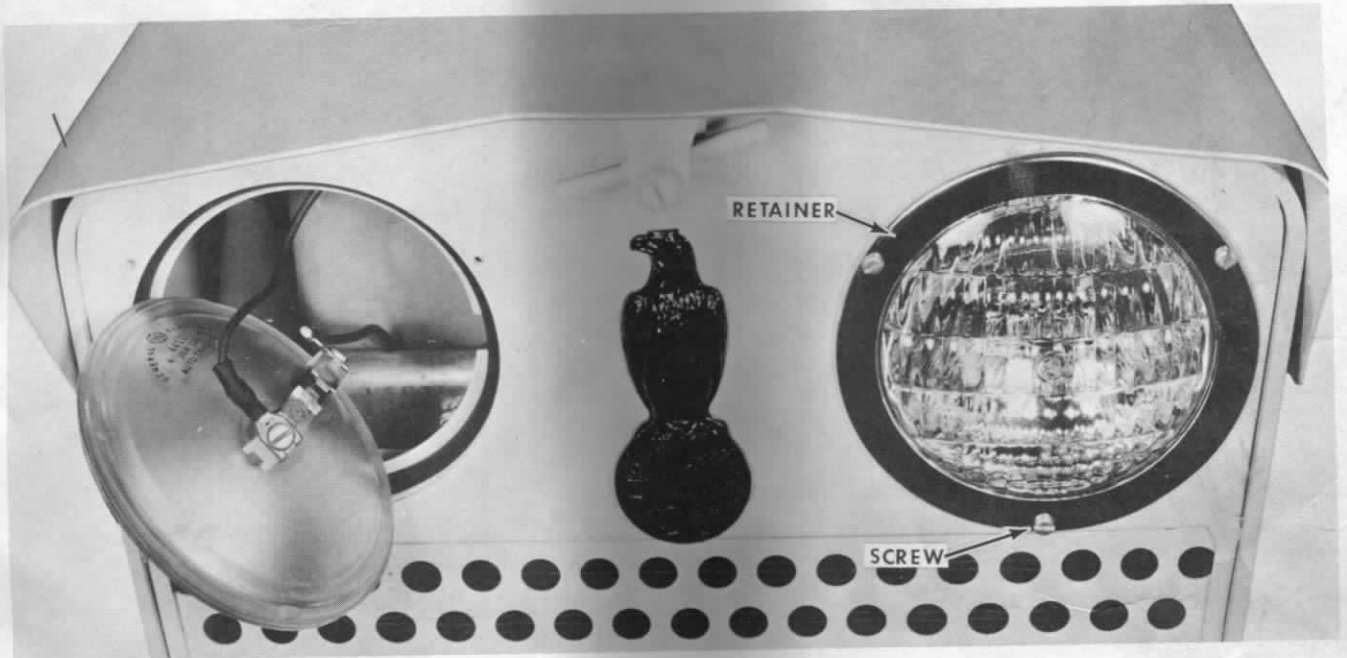


Figure 5

Servicing The Battery

Add pure or distilled water, as needed, to keep the separators covered. Check every 60 hours or weekly. Normal water consumption would be approximately 1 oz. every 60 hours of operation. If it is greater, either the case is leaking or the regulator is overcharging and must be adjusted.

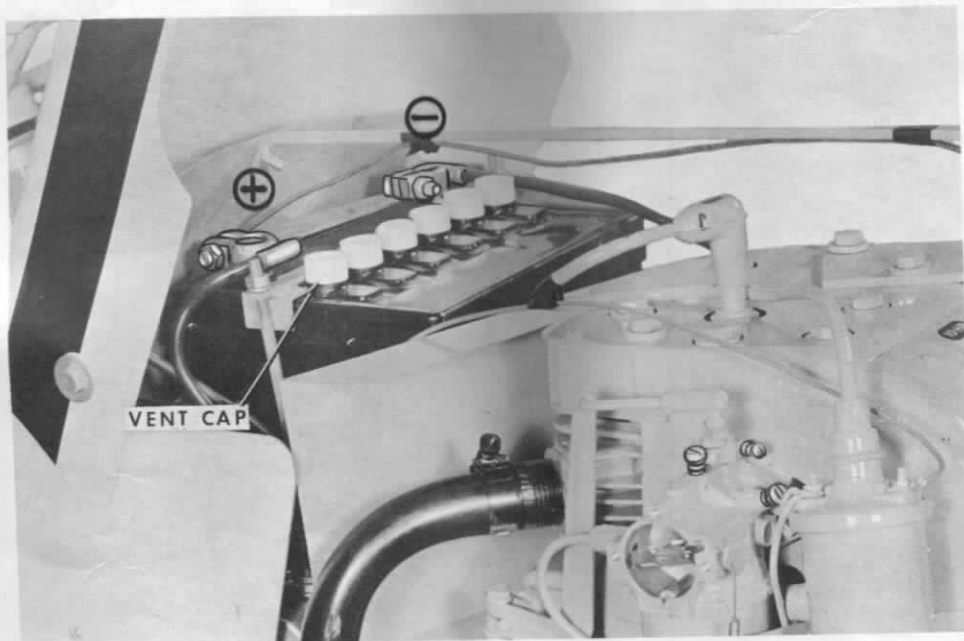


Figure 6

ELECTRICAL SYSTEM

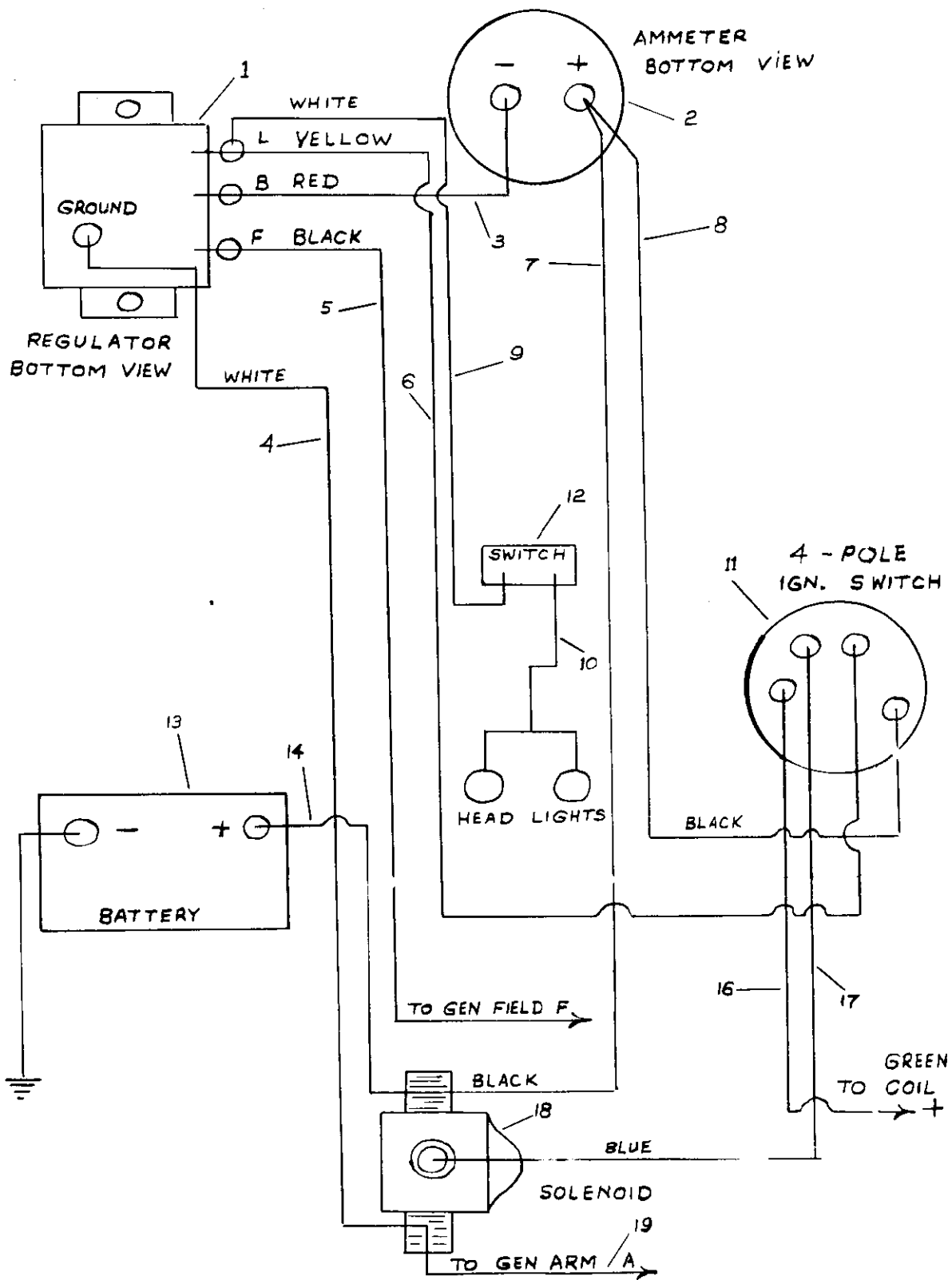
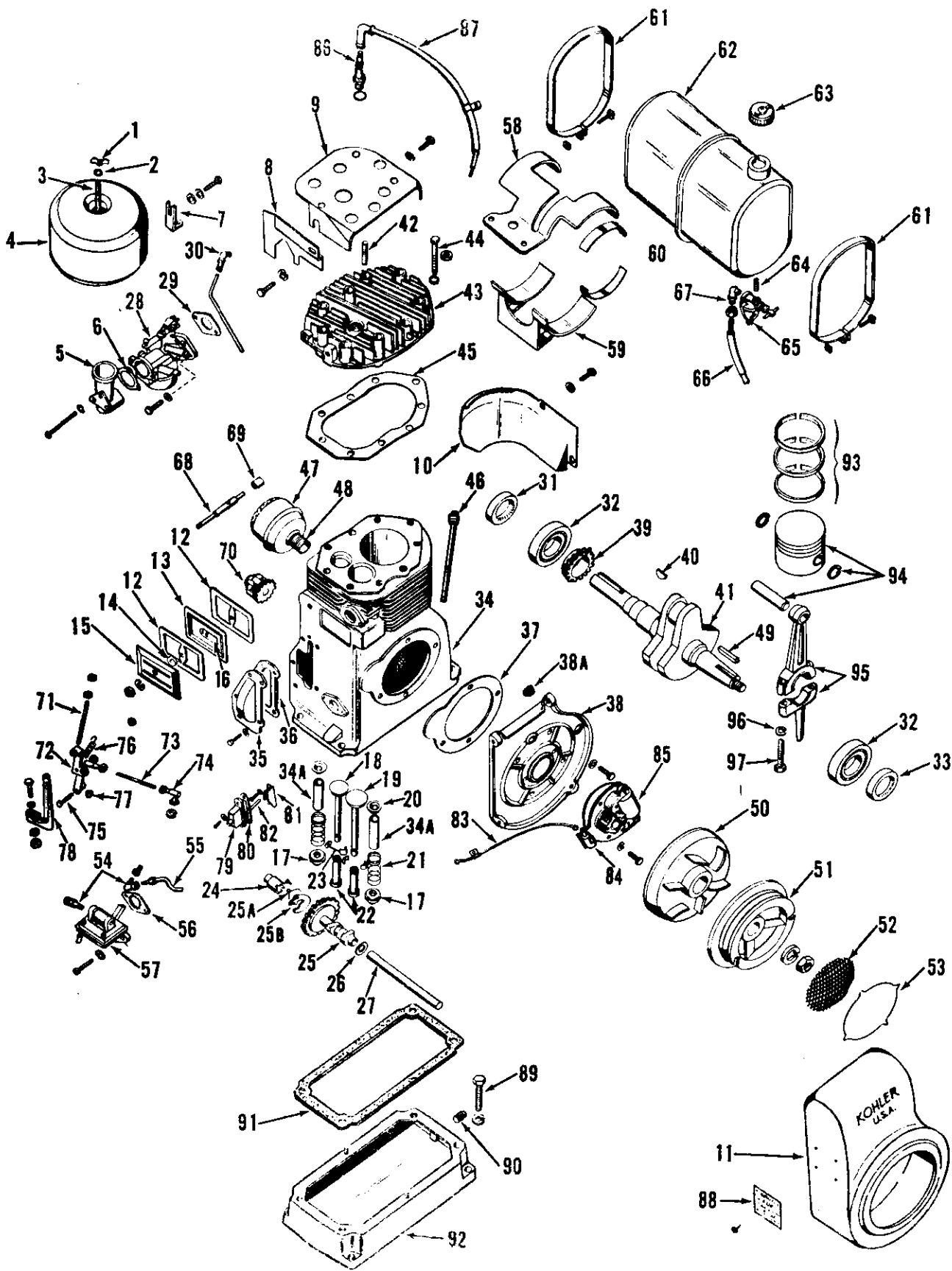


Figure 7

TROUBLE SHOOTING

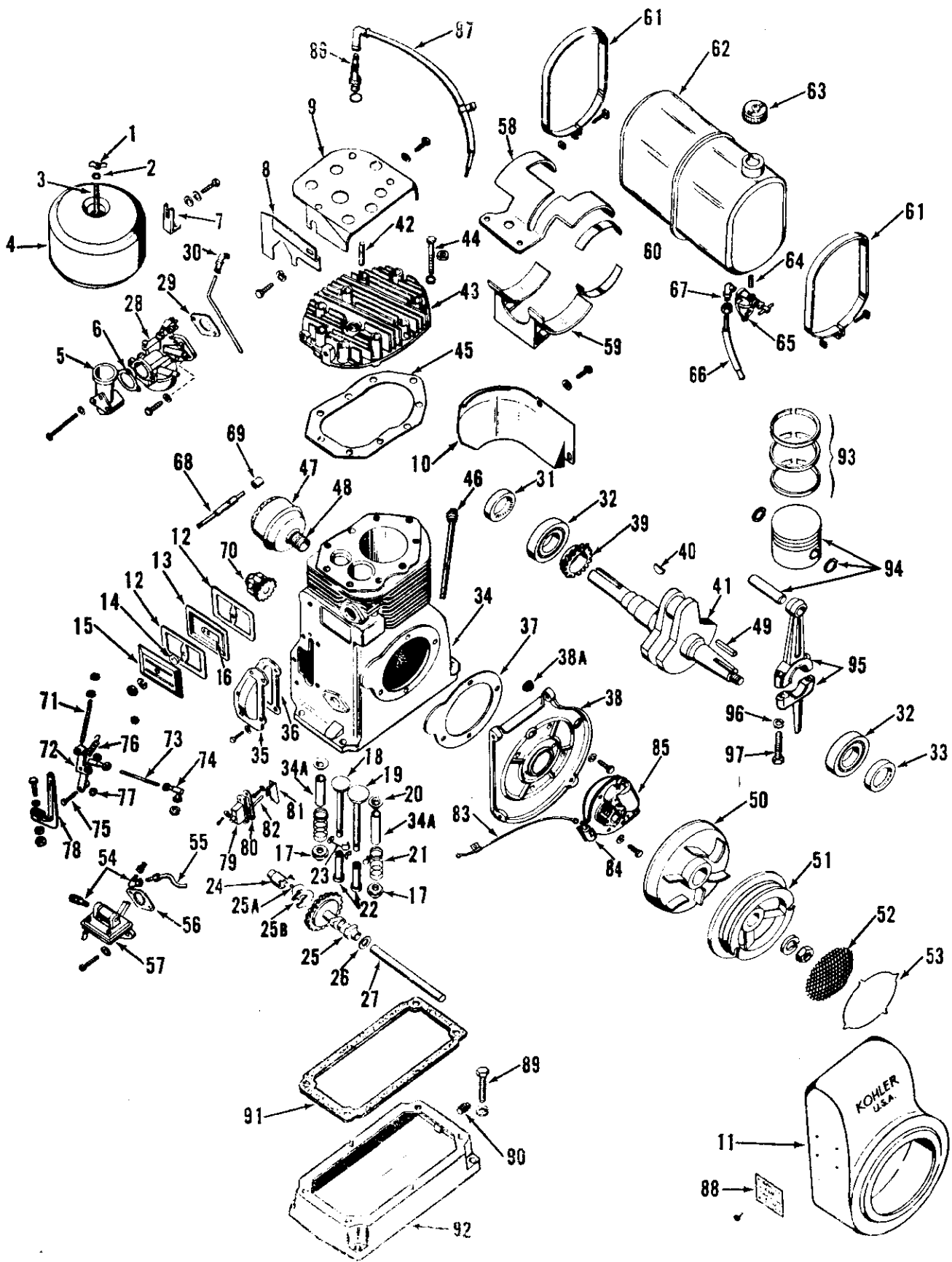
Following is a list of troubles which may occur from average use and normal wear.

1. Hard Starting
 - a. Faulty ignition
 - (1) Loose or grounded high tension or breaker point leads.
 - (2) Improper breaker point gap.
 - (3) Faulty spark plug.
 - (4) Faulty condenser or coil.
 - (5) Incorrect spark timing.
 - b. Faulty carburetion.
 - (1) Gasoline not getting to carburetor
 - (a) Dirt or gum in fuel line.
 - (b) Faulty fuel pump.
 - (2) Dirt in carburetor.
 - (3) Carburetor improperly adjusted.
 - c. Compression loss.
 - (1) Valves leaking or sticking.
 - (2) Rings worn.
 - (3) Head gasket leaking.
2. Overheating
 - a. Insufficient available cool air.
 - b. Dirty air intake screen, shroud or cooling fins.
 - c. Improper fuel.
 - d. Fuel mixture too lean.
 - e. Improper ignition timing.
3. Backfiring
 - a. Fuel mixture too lean.
 - b. Sticky intake valve.
 - c. Improper timing.
4. Occasional Missing or High Speed
 - a. Spark plug gap too wide.
 - b. Improper carburetor setting or lack of fuel.
5. Missing Under Slow Hard Pull
 - a. Spark plug gap too wide.
 - b. Pitted breaker points.
 - c. Partially fouled spark plug.
 - d. Defective ignition cable.
6. Knocking
 - a. Fuel octane rating too low.
 - b. Overheated engine.
 - c. Improper timing.
 - d. Loose connecting rod.
 - e. Excessive carbon in combustion chamber.
7. Operating Erratically
 - a. Clogged fuel line.
 - b. Water in fuel.
 - c. Faulty choke control.
 - d. Improper fuel mixture.
 - e. Loose ignition system connections.
 - f. Air leaks in manifold or carburetor connections.
8. Engine Will Not Idle
 - a. Improper carburetor idling adjustment.
 - b. Carburetor jets clogged.
 - c. Spark plug gap too small.
 - d. Leaking carburetor or manifold gaskets.
 - e. Sticking or leaking valves.
 - f. Weak coil or condenser.
- c. Wrong type sparkplug. Use recommended spark plug.
- d. Improper timing.



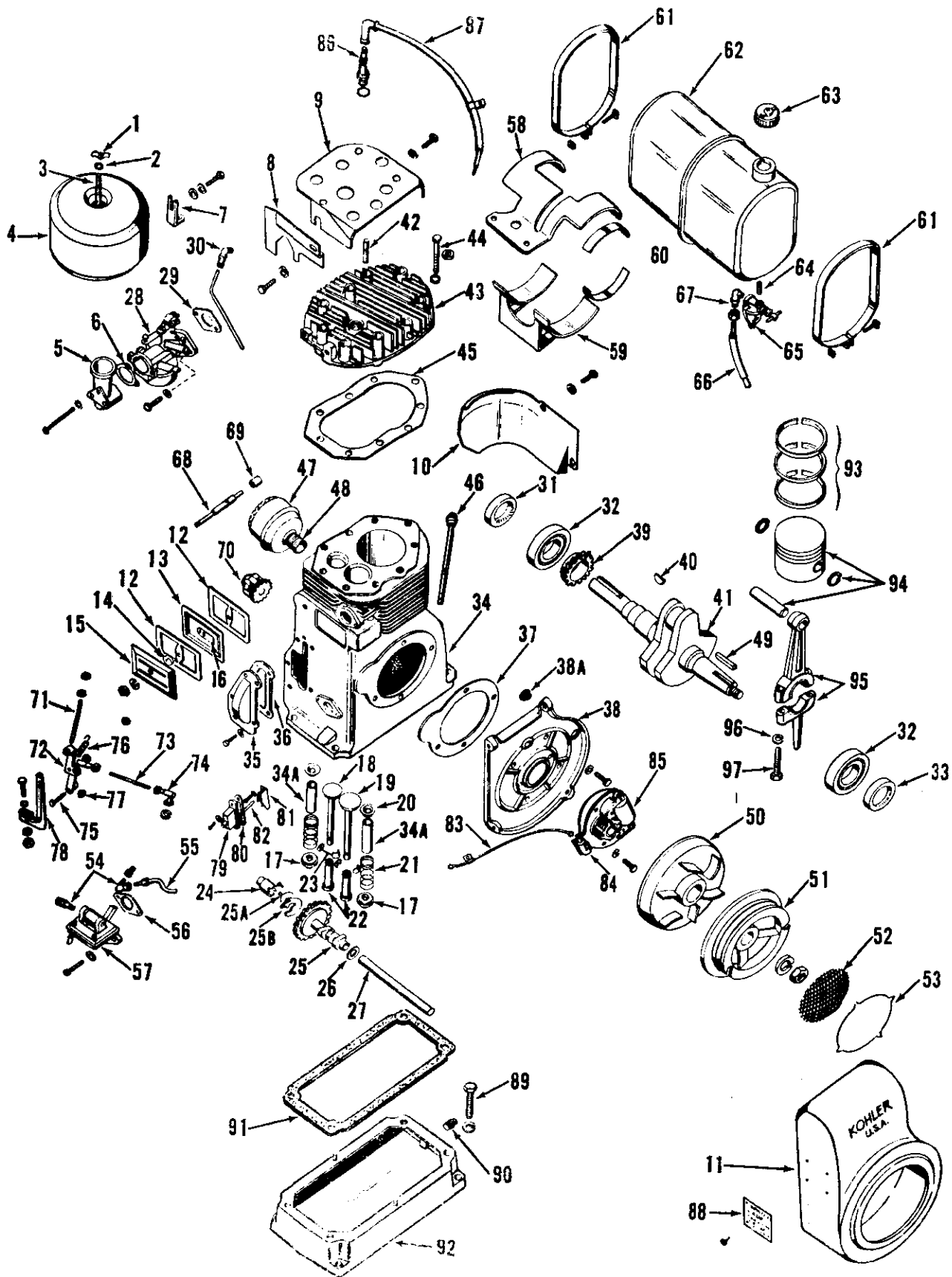
ENGINE PARTS

REF.	PART NO.	DESCRIPTION	REQ'D
AIR INTAKE GROUP			
	X-19-1	LOCKWASHER #10.	3
	X-20-1	LOCKWASHER 1/4"	1
	X-50-37	SCREW - R.H.M.10-32 x 2-1/4"	3
	X-81-1	NUT - 1/4-20	1
1	X-276-4	WING NUT	1
2	A-536	COPPER WASHER	1
3	210186-1	STUD.	1
4	151834	AIR CLEANER	1
5	235167	CLEANER MANIFOLD	1
6	275341	GASKET	1
7	235339	BRACE	1
BAFFLES & SHROUD GROUP			
	X-5-7	SCREW - H.C.1/4-20 x 1/2	2
	X-5-8	SCREW - H.C. 1/4-20 x 3/4.	4
	X-20-1	LOCKWASHER 1/4	6
8	235195	SIDE BAFFLE.	1
9	235049	HEAD BAFFLE	1
10	235054	CYLINDER BAFFLE	1
11	235136	BLOWER HOUSING.	1
BREATHER & VENT GROUP			
	X-20-1	LOCKWASHER 1/4"	1
	X-81-1	NUT - 1/4-20	1
	275220	STUD.	1
12	235048	COVER GASKET	2
13	235051	BREATHER PLATE	1
14	231032	BREATHER SEAL	1
15	A 235418	VALVE COVER	1
16	235047	BREATHER REED.	1
CAMSHAFT & VALVES GROUP			
17	230011	SPRING RETAINER	2
18	235009	EXHAUST VALVE	1
19	235008	INTAKE VALVE	1
20	235011	UPPER SPRING RETAINER	2
21	235010	VALVE SPRING.	2
22	A-235327	VALVE TAPPET	2
23	240013	VALVE KEEPER	4
24	235188	IGNITION CAM	1
25	A-235155	CAMSHAFT ASSY	1
25A	275267	SPRING	2
25B	230087	FLYWEIGHT.	2
26	275066	CAM SPACER .005.	UAR
26	275067	CAM SPACER .010.	UAR
27	235053	CAMSHAFT PIN	1
CARBURETOR GROUP			
	X-21-1	LOCKWASHER 5/16"	2
	X-127-1	SLOTTED SCREW 5/16.	2
28	A-235500	CARBURETOR	1
29	275167	CARBURETOR GASKET	1
30	220146	FUEL ELBOW.	1
CYLINDER BLOCK GROUP			
	X-7-1	SCREW H.C. 3/8-16 x 1	4
	X-20-1	LOCKWASHER 1/4.	4
	X-22-1	LOCKWASHER 3/8"	4
	X-52-8	SCREW 1/4-20 x 5/8	4
	X-230-11	WELCH PLUG.	1



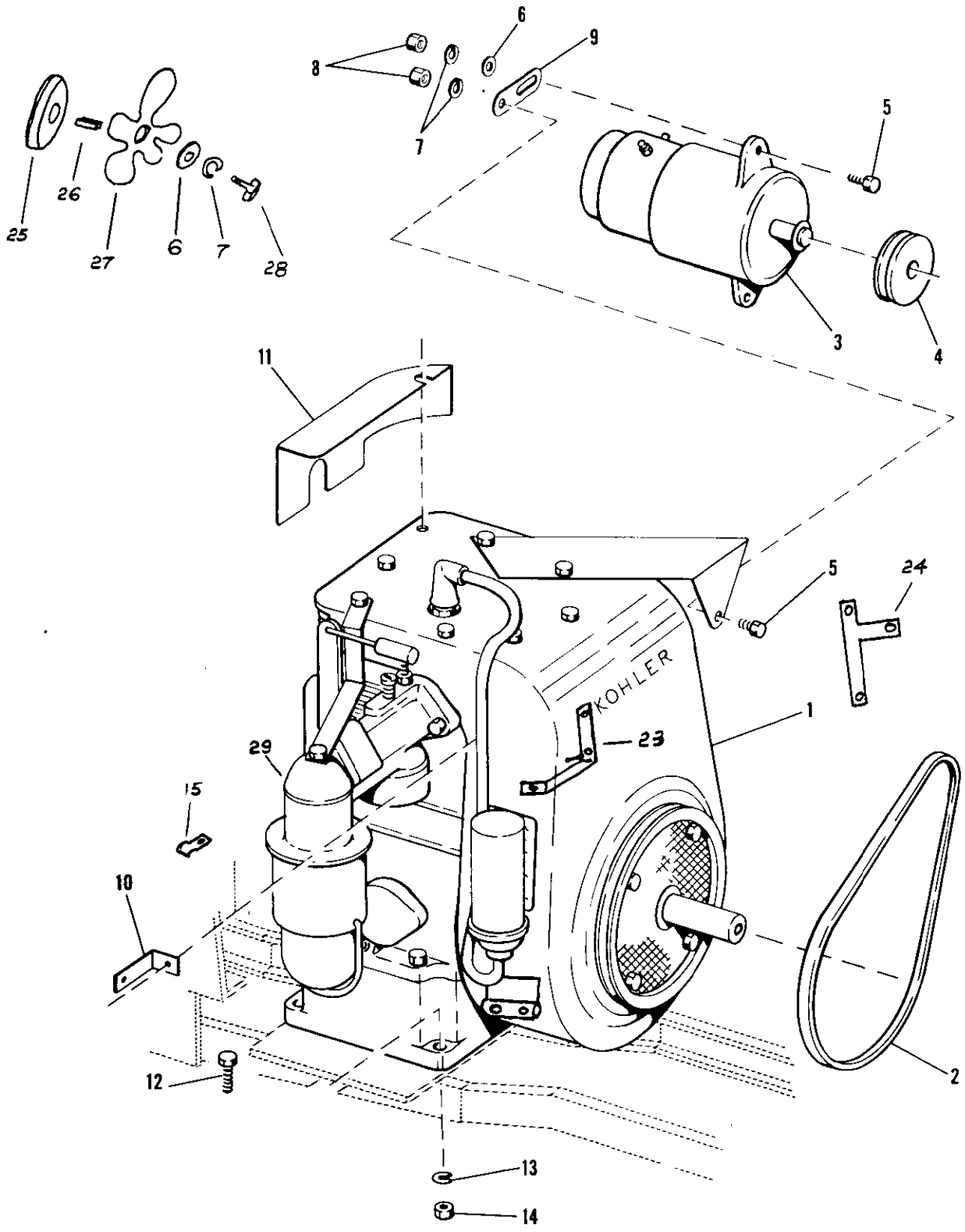
ENGINE PARTS (CONT)

REF.	PART NO.	DESCRIPTION	REQ'D
CYLINDER BLOCK GROUP (CONT'D)			
31	X-379-6	REAR OIL SEAL	1
32	235151	MAIN BEARING.	2
33	X-271-30	FRONT OIL SEAL	1
34	A-235732	CYLINDER BLOCK	1
34A	235007	GUIDE VALVE	2
35	235026	CAM GEAR COVER	1
36	235025	CAM COVER GASKET.	1
37	235070	BRG. PLATE GASKET .010	UAR
37	235071	BRG. PLATE GASKET .005	UAR
38	A-235061	BEARING PLATE	1
38A	X-301-1	BUTTON PLUG	1
CAMSHAFT GROUP			
39	235138	CRANKSHAFT GEAR	1
40	X-43-1	WOODRUFF KEY #3.	1
41	235395	CRANKSHAFT.	1
CYLINDER HEAD GROUP			
	270889	WASHER	9
42	271077	HEAD BOLT - 3/8-16 x 2-1/4	7
43	235459	HEAD.	1
44	235175	HEAD BOLT 3/8 -16 x 2-1/2	2
45	235024	HEAD GASKET	1
DIPSTICK GROUP			
46	A-235092	DIPSTICK ASSY.	1
EXHAUST SYSTEM GROUP			
47	275679	MUFFLER	1
48	AC-1417	1" PIPE NIPPLE - 2-1/2"lg	1
FLYWHEEL GROUP			
	X-26-10	LOCKWASHER	1
	X-89-10	NUT - 3/4-16	1
49	X-366-1	KEY 1-3/8 x 1/4 x .1875	1
50	A-235714	FLYWHEEL	1
51	235150	STARTER PULLEY	1
52	235098	GRASS SCREEN.	1
53	235363	SCREEN RETAINER.	1
FUEL PUMP GROUP			
	X-22-11	LOCKWASHER 1/4"	2
	X-98-2	SCREW -1/4-20 x 5/8.	2
54	A-220146	FUEL ELBOW.	2
55	235097	FUEL LINE TO CARBURETOR	1
56	240281	FUEL PUMP GASKET	1
57	A-235361	FUEL PUMP.	1
FUEL TANK & FITTINGS GROUP			
	X-6-11	SCREW - 5/16-18 x 3/4	2
	X-21-1	LOCKWASHER 5/16"	2
58	235159	UPPER BRACKET	1
59	235158	LOWER BRACKET	1
60	X-295-20	WEBBING.	4
61	X-370-3	TANK STRAP	2
62	235164	FUEL TANK.	1
63	220068	CAP.	1
	X-73-9	SCREW 1/4-20 x 1-1/4	1
64	X-217-6	NIPPLE 1/8.	1
65	X-210101	FUEL FILTER	1
66	X-294-5	FUEL LINE TO PUMP	1



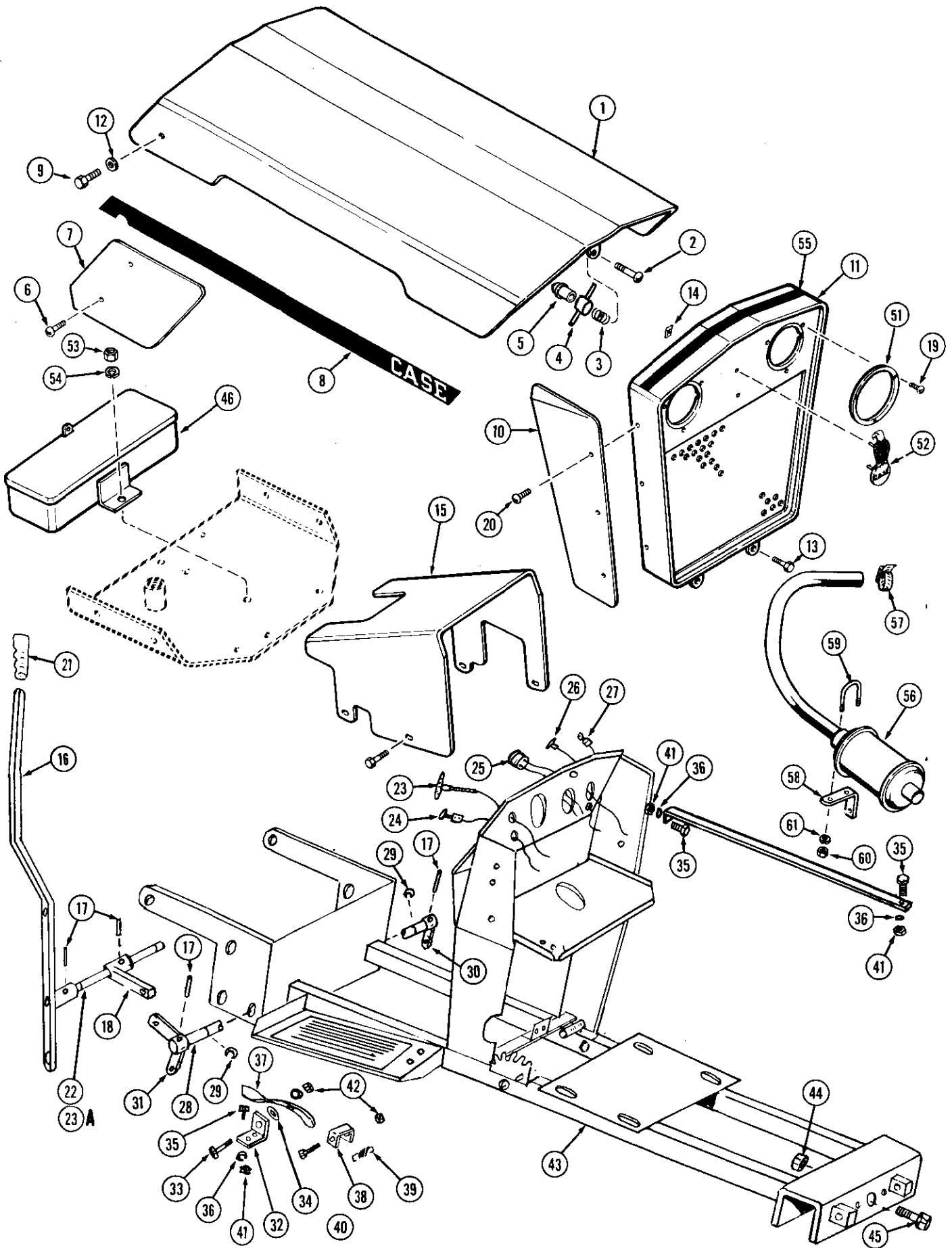
ENGINE PARTS (CONT'D)

REF.	PART NO.	DESCRIPTION	REQ'D
FUEL TANK AND FITTINGS GROUP (CONT'D)			
67	A-220146	FUEL ELBOW.....	1
GOVERNOR GROUP			
	X-5-4	SCREW - 1/4-20 x 1-1/4.....	1
	X-19-1	LOCKWASHER #10.....	2
	X-20-1	LOCKWASHER 1/4.....	1
	X-25-63	WASHER.....	3
	X-25-67	THRUST WASHER.....	1
	X-36-1	COTTER PIN.....	1
	X-70-3	NUT.....	6
	X-81-1	NUT - 1/4-20.....	1
	275690	TENSION WASHER.....	2
	235085	SPACER.....	1
68	A-235540	GOVERNOR SHAFT.....	1
69	X-293-4	NEEDLE BEARING.....	1
70	A-235157	GOVERNOR ASSEMBLY.....	1
71	235082	ADJUSTMENT SCREW.....	1
72	235086	ADJUSTMENT BRACKET.....	1
73	235078	THROTTLE ROD.....	1
74	270895	THROTTLE JOINT.....	1
75	235083	SHOULDER SCREW.....	1
76	235496	GOVERNOR SPRING.....	1
77	235476	BUSHING.....	1
78	235494	GOVERNOR ARM.....	1
IGNITION SYSTEM GROUP			
	X-15-6	SCREW - 10-24 x 3/8.....	4
	X-19-1	LOCKWASHER #10.....	4
	X-67-16	SCREW #10-3/8.....	1
	210281	CABLE CLIP.....	1
	266408	CABLE CLIP.....	1
	275182	CABLE CLIP.....	1
79	A-220136	BREAKER COVER.....	1
80	220174	COVER GASKET.....	1
81	A-220474	BREAKER POINTS.....	1
82	X-389-1	BREAKER ROD.....	1
83	A-230113	POINT LEAD.....	1
84	220434	CONDENSER.....	1
85	275756	MAGNETO COIL.....	1
86	235040	SPARK PLUG.....	1
87	A-275664	HI TENSION CABLE.....	1
NAMEPLATE			
	X-67-18	SCREW.....	4
88	235548	NAMEPLATE.....	1
OIL PAN GROUP			
	X-22-1	LOCKWASHER 3/8.....	4
89	X-7-2	SCREW - 3/8-16 x 1-1/4.....	4
90	X-75-24	DRAIN PLUG.....	1
91	235057	PAN GASKET.....	1
92	235115	OIL PAN BASE.....	1
PISTON & ROD GROUP			
93	235467	RING SET (STD.).....	1
94	A-235103	PISTON W/PIN.....	1
95	235519	CONNECTING ROD.....	1
96	X-22-3	ROD LOCK WASHER.....	2
97	235526	CONNECTING ROD BOLT.....	2
	235165	GASKET SET.....	2



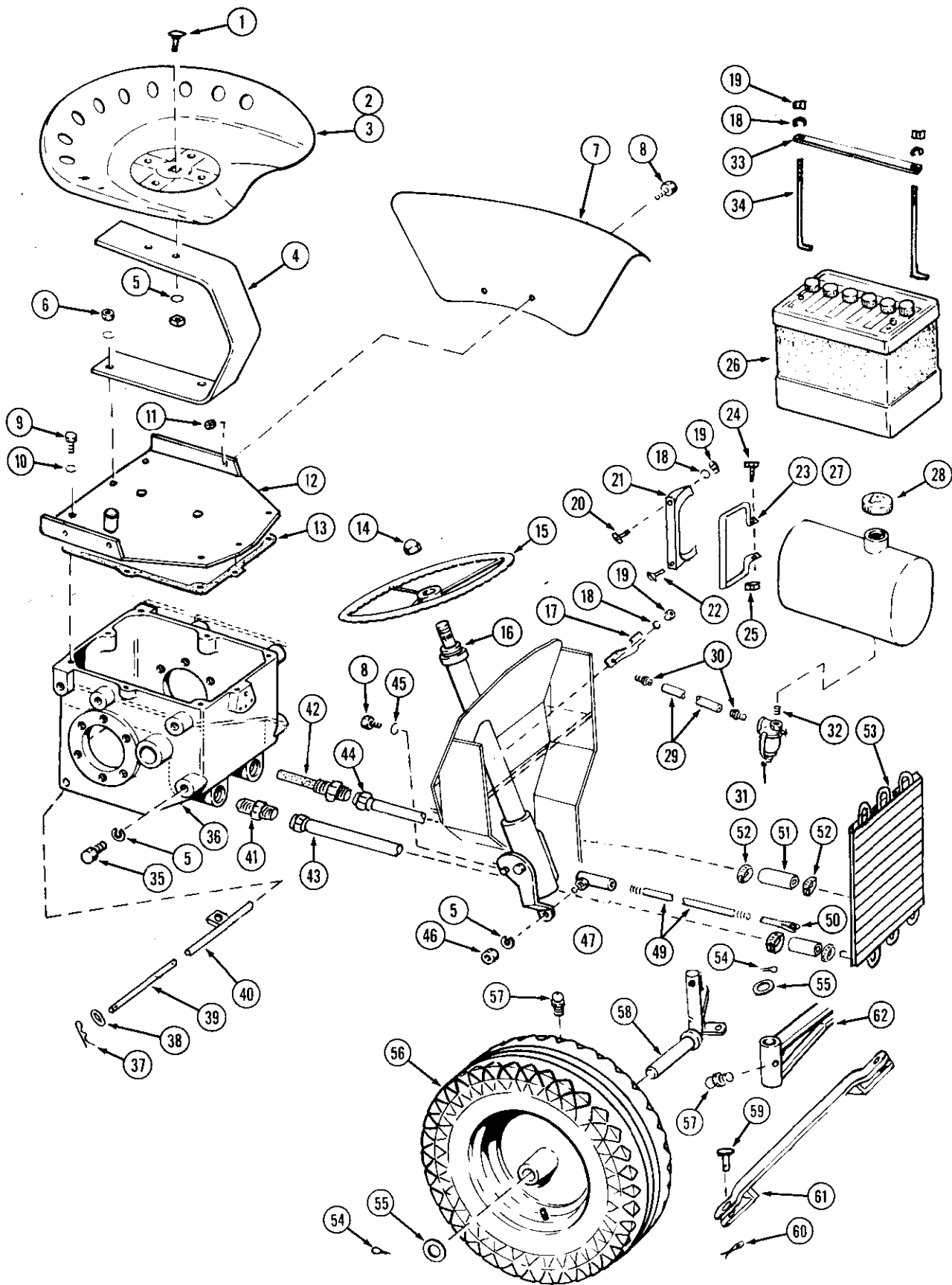
ENGINE ATTACHING PARTS

REF.	PART NO.	DESCRIPTION	REQ'D
1	C1068	ENGINE ASSY- Kohler K241S(To Colt Specs).....	1
2	C1066	GENERATOR BELT	1
3	C1132	GENERATOR & STARTING MTR.	1
4	C1067	GENERATOR PULLEY	1
5	H13-6	3/8" - 16 x 1-1/4"lg.hex.hd.capscrew.....	2
6	H26-3	3/8" plain washer	1
7	H27-3	3/8" LOCKWASHER	2
8	H24-3	3/8" - 16 hex.nut	2
9	C1174	GENERATOR ADJ. BRKT.	1
10	C1178	THROTTLE CABLE BRKT.	1
11	C1176	HEAT DEFLECTOR	1
12	H13-12	1/2" - 13 x 2" lg.hex.hd. capscrew	4
13	H27-5	1/2" LOCKWASHER	4
14	H25-5	1/2" - 13 hex.nut	4
15	C1175	CABLE CLAMP.....	2
23	C1192	GAS TANK MTG. BRKT. R.H.	1
24	C1065	GAS TANK MTG. BRKT. L. H.	1
25	C1190	ENGINE PULLEY	1
26	C1112	SQUARE KEY - 1/4"x 1-1/4" lg.	1
27	C1070	FAN.....	1
28	H13-4	3/8" - 16 x 3/4"lg.hex.hd.capscrew.....	1
29	C1191	REPLACEMENT AIR CLEANER CARTRIDGE	1



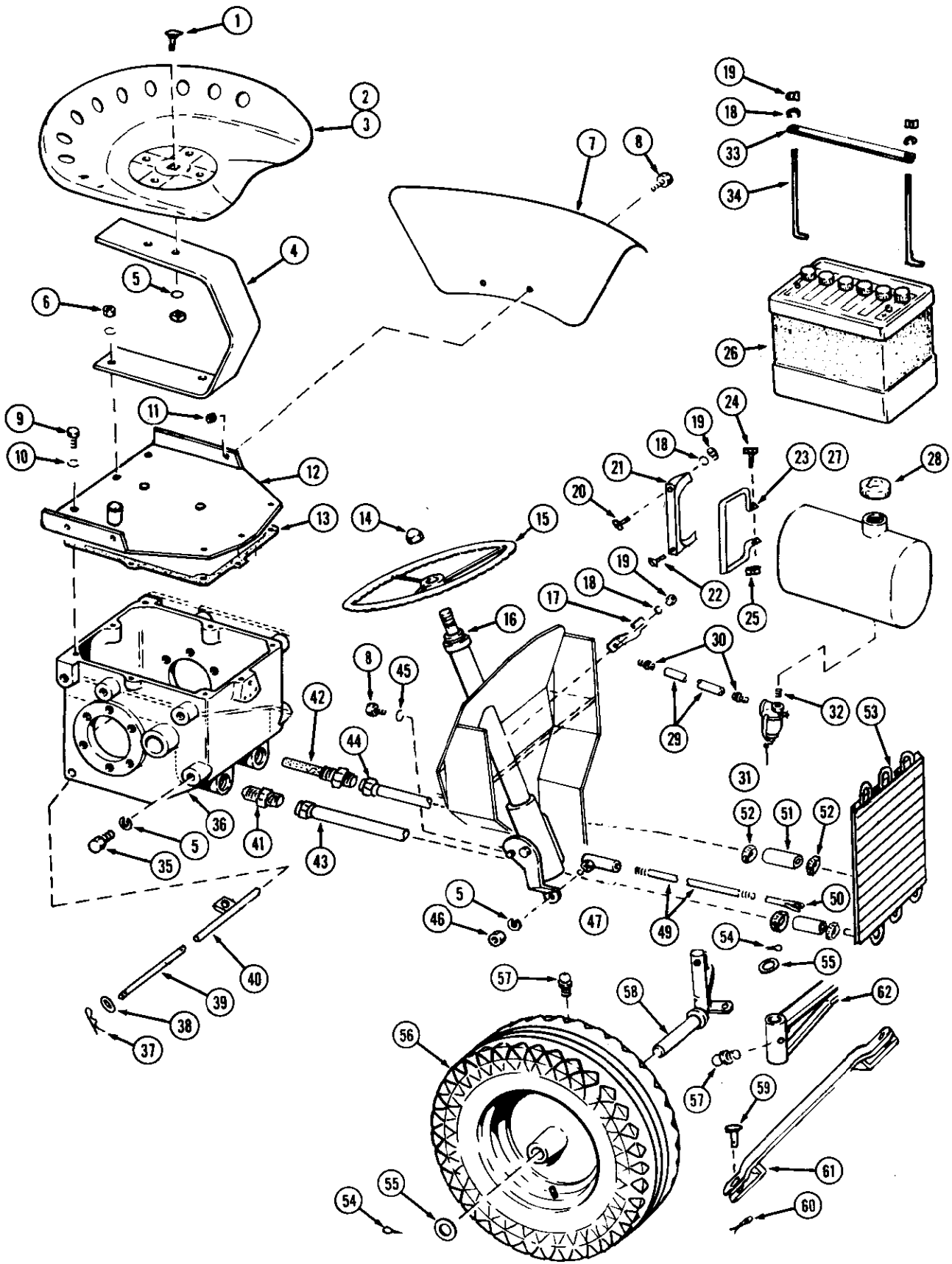
MAIN FRAME ASSEMBLY

REF.	PART NO.	DESCRIPTION	REQ'D
1		HOOD AND LATCH ASSY	1
2		SCREW - hood latch	1
3		SPRING - hood latch.	1
4		LATCH - hood.	1
5		PLUNGER - hood latch.	1
6		SCREW - rear side panel	2
7		REAR SIDE PANEL	2
8		DECAL - hood side	2
9		BOLT - hood rear side	2
10		FRONT SIDE PANEL	2
11		GRILLE ASSY	1
12		PLAIN WASHER - rear hood bolt	2
13		3/8"-16 x 1" lg.hex.hd. capscrew	2
14		NUT - Case emblem retainer.	1
15		CONTROL VALVE COVER	1
16	C1080	IMPLEMENT LIFT LVR.	1
17	C1109	ROLL PIN- 1/4" x 1-1/4" lg.	4
18	C1161	ATTACHMENT LINK ARM - center	1
19		SCREW - headlight retainer.	6
20	H31-3	#10 SHEET METAL SCREW.	10
21	C1107	IMPLEMENT LEVER GRIP	1
22	C1158	ATTACHMENT LINK ROD - ctr.deluxe & Super.	1
23A	C1177	ATTACHMENT LINK ROD - ctr. Rancher.	1
23	C1081	THROTTLE CONTROL ASSY.	1
24	C1130	LIGHT SWITCH.	1
25	C1129	AMMETER	1
26	C1082	CHOKE CONTROL ASSY.	1
27	C1128	KEY START SWITCH	1
28	C1157	ATTACHMENT LINK ROD- rear	1
29	C1026	RETAINER RING	2
30	C1160	ATTACHMENT LINK ARM - rear, L.H.	1
31	C1159	ATTACHMENT LINK ARM - rear, R.H.	1
32	C1162	CLUTCH MTG. BRKT.	1
33	H13-8	1/4"-20 x 1" hex.hd.capscrew	1
34	H26-1	1/4" PLAIN WASHER	2
35	H13-1	1/4"-20 x 3/4" lg. hex.hd. capscrew	4
36	H27-1	1/4" LOCKWASHER	4
37	C1103	IMPLEMENT LEVER CLUTCH	1
38	C1163	CLUTCH TRIP RATCHET	1
39	C1108	CLUTCH TRIP SPRING.	1
40	H13-9	1/4"-20 x 2" lg.hex.hd.capscrew	1
41	H24-1	1/4"-20 hex.nut	4
42	H19-3	1/4"-20 lock nut	2
43	C1155	MAIN FRAME ASSY - Deluxe & Super	1
	C1181	MAIN FRAME ASSY- rancher.	1
44	C1111	AXLE BOLT LOCK NUT	1
45	C1110	FRONT AXLE MTG. BOLT	1
46	C1164	GRILLE STABILIZER BAR	1
47	C1137	TRANSMISSION OIL DECAL	1
48	C1184	HIGH - neutral -low shift decal	1
49	C1186	FORWARD - Brk- Reverse Decal	1
50	C1187	BRAKE INSTRUCTION DECAL	1
51		HEADLIGHT MTG. RETAINER.	2
52		CASE EMBLEM.	1
53		NUT - tool box mounting	1
54		LOCKWASHER - tool box mounting	1
55		CUSHION - rubber, hood	1
56		MUFFLER AND EXHAUST PIPE	1
57		PIPE CLAMP	1
58		BRACKET - exhaust pipe	1
59		CLAMP - exhaust pipe bracket.	1
60		NUT - clamp	2
61		LOCKWASHER - clamp	2



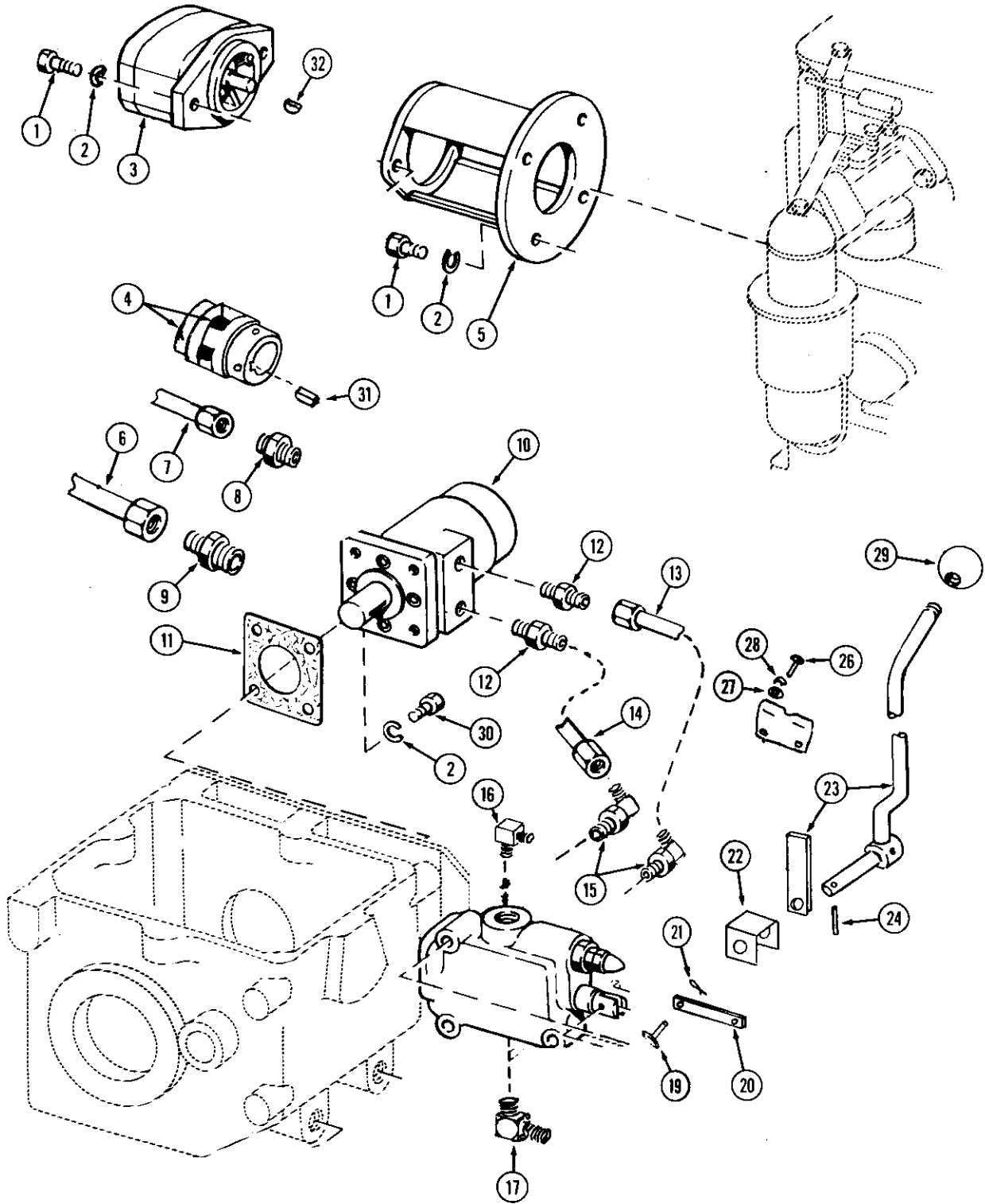
MAIN FRAME COMPONENTS

REF.	PART NO.	DESCRIPTION	REQ'D
1	H10-1	1/2"-13 x 1" lg.carriage bolt	1
2	C1087	SEAT	1
3	C1088	SEAT CUSHION	1
4	C1170	SEAT SPRING	1
5	H27-5	1/2" LOCKWASHER	10
6	H25-5	1/2" - 13 HEX NUT	3
7	C1089	FENDER - L.H., Deluxe & Super	1
	C1090	FENDER - R.H., Deluxe & Super	1
8	H13-5	3/8" - 16 x 1" lg.Hex Head Cap Screw	6
9	H13-10	5/16" - 18 x 3/4" lg.Hex.Head Cap Screw	8
10	H27-2	5/16" LOCKWASHER	8
11	H24-3	3/8" - 16 Hex Nut	4
12		GEAR CASE COVER	1
13	C1020	GEAR CASE COVER GASKET	1
14	H21-1	5/8" - 18 Hex. Jam Nut	1
15	C1099	STEERING WHEEL	1
16	C1079	STEERING COLUMN ASSEMBLY	1
	C1196	LEVER & BOLT ASSEMBLY (1/2" bolt)	1
	C1197	LEVER & BOLT ASSEMBLY (5/8" bolt)	1
	C1198	RUBBER SEAL	1
	C1199	SEAL RETAINER	1
	C1200	BALL CUP	2
	C1201	BALL & RETAINER	2
	H21-1	5/8" - 18 Hex. Jam Nut	3
	C1202	WASHER	1
	H21-2	1/2" -20 Hex. Jam Nut	1
	C1203	STUD	1
	C1204	ADJUSTABLE END PLUG	1
	C1205	CAM (GEAR) & SHAFT	1
	C1206	TUBE & CAM HSG. ASSY - 1/2"	1
	C1207	TUBE & CAM HSG. ASSY - 5/8"	1
17	C1100	STEERING COLUMN STRAP	1
18	H27-1	1/4" LOCKWASHER	10
19	H24-1	1/4" -20 Hex. nut.	8
20	H13-1	1/4" - 20 x 3/4" lg.hex.hd. capscrew	2
21	C1044	GASOLINE TANK MTG. CLAMP	2
22	H15-2	1/4" - 20 x 1/2"lg. flat hd. mach.screw	2
23	C1165	GASOLINE TANK MTG. STRAP	2
24	H15-3	1/4" - 20 x 1-1/2" lg.flat hd. mach.screw	2
25	H22-1	1/4" - 20 sq.nut	2
26	C1098	BATTERY	1
27	C1045	GASOLINE TANK.	1
28	C1046	GASOLINE TANK CAP	1
29	C1041	FUEL LINE HOSE	1
30	C1040	FUEL LINE FITTING	2
31	C1042	FUEL FILTER ASSY	1
32	C1043	SPECIAL NIPPLE	1
33	C1168	BATTERY CLAMP BRKT.	1
34	C1169	BATTERY CLAMP ROD	2
35	H13-11	1/2" -13 x 1" lg.hex.hd. capscrew.	6
36	C1083	GEAR CASE	1
37	C1334	PIN RETAINER	2
38	H26-5	1/2" PLAIN WASHER	2
39	C1016	TOW HITCH PIN	1
40	C1093	STANDARD TOW HITCH	1
41	C1053	TRANSMISSION - return port fitting	1
42	C1054	TRANSMISSION - outlet fitting w/filter	1
43	C1057	TUBING (Heat Exch. to trans.)	1
44	C1058	TUBING (Transmission to Pump)	1
45	H27-3	3/8" LOCKWASHER	2
46	H25-9	1/2" - 20 Hex.Nut	1
47	C1035	1/2" Ball Joint	1



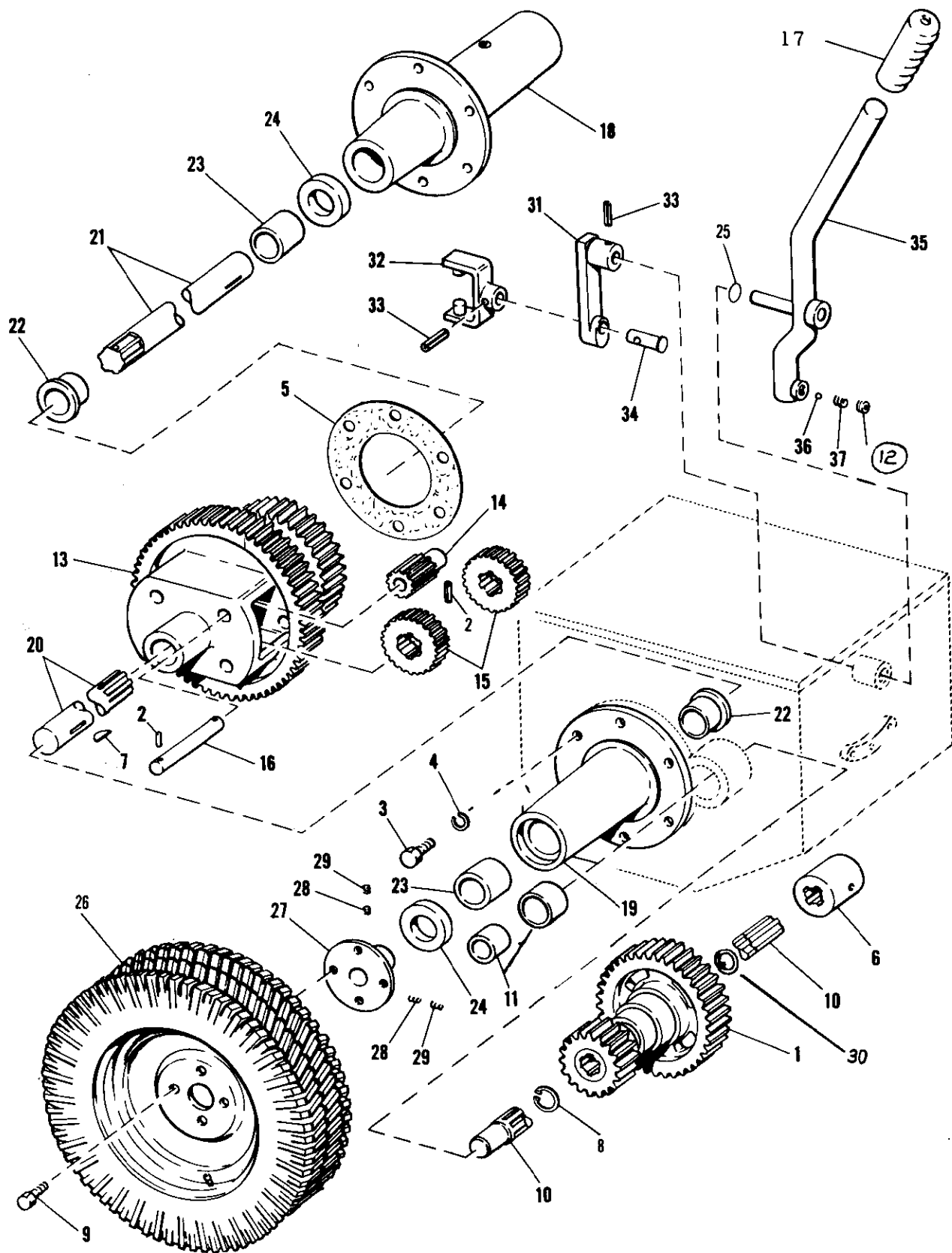
MAIN FRAME COMPONENTS(CONT)

REF.	PART NO.	DESCRIPTION	REQ'D
48	C1056	TUBING (Valve to Heat Exc.)	1
49	C1036	DRAG LINK ROD	1
50	C1039	STEERING CLEVIS	1
51	C1113	HEAT EXCH. - connecting hose	2
52	C1027	HOSE CLAMP	4
53	C1064	HEAT EXHANGER.	1
54	H33-3	5/32" x 2" lg. Cotter Pin.	4
55	H26-7	3/4" Plain Washer	6
56	C1139	FRONT WHEEL ASSY - 6.50 x 8, Super	2
	C1146	FRONT TIRE - 6.50 x 8, Tubeless, Super	2
	C1147	FRONT WHEEL RIM - 6.50 x 8, Super.	2
57	H37-1	1/8" LUBRICATION FITTING	4
58	C1094	FRONT SPINDLE ASSY - R.H.	1
	C1095	FRONT SPINDLE ASSY - L.H.,	1
59	C1015	DRAG LINK ROD PIN	3
60	H33-4	1/8" x 1-1/4" lg. Cotter Pin	3
61	C1037	TIE BAR	1
62	C1085	FRONT AXLE -	1



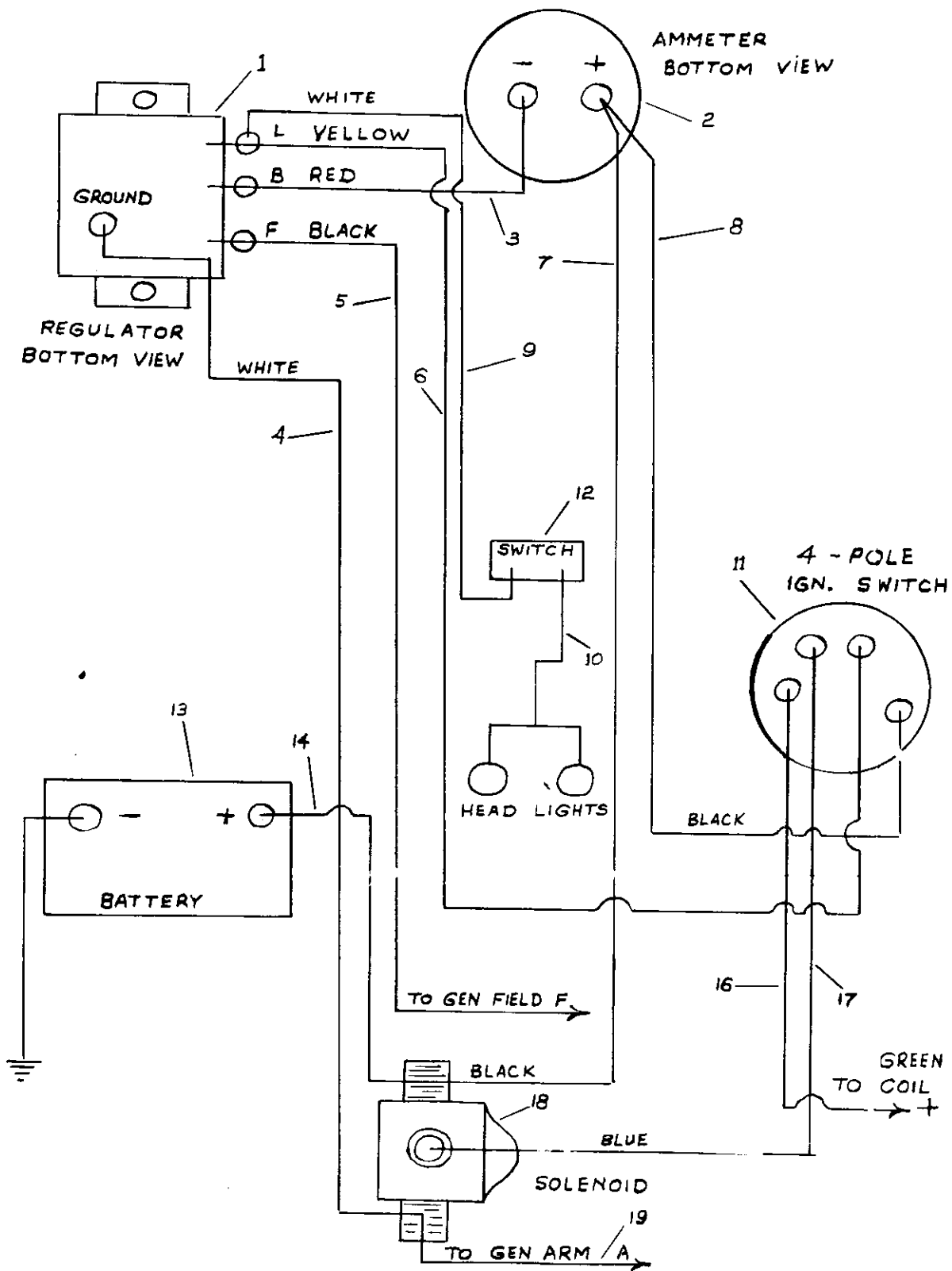
HYDRAULIC DRIVE ASSEMBLY

REF.	PART NO.	DESCRIPTION	REQ'D
1	H13-5	3/8" - 16 x 1" lg.hex.hd. capscrew	6
2	H27-3	3/8" LOCKWASHER	10
3	C1075	HYDRAULIC PUMP	1
	C1210	SEAL KIT - for hydraulic pump#C1075	1
4	C1073	PUMP DRV. CPLG ASSY.	1
	C1074	RUBBER INSERT - for pump cplg.	1
5	C1171	PUMP MTG. BRKT.	1
6	C1058	TUBING (Transmission to pump).	1
7	C1059	TUBING (Pump to Valve).	1
8	C1048	PUMP PRESSURE PORT FITTING	1
9	C1047	PUMP SUCTION PORT FITTING.	1
10	C1077	HYDRAULIC MTR. Deluxe & Super.	1
	C1209	SEAL KIT - for hyd.mtrs.#C1077 & C1078	1
11	C1019	HYDRAULIC MTR. GASKET	1
12	C1052	HYDRAULIC MTR. PORT FITTING	2
13	C1060	TUBING (Frt. valve port to upper hyd.mtr.port).	1
14	C1061	TUBING (Rear Valve Port to Lo. hyd. mtr.port).	1
15	C1051	VALVE PRESSURE PORT FITTING.	2
16	C1050	VALVE INLET PORT FITTING	1
17	C1049	VALVE RETURN PORT FITTING.	1
18	C1076	CONTROL VALVE ASSEMBLY.	1
	C1211	SEAL KIT - for control valve #C1076.	1
19	C1014	VALVE LINK PIN.	2
20	C1173	VALVE SPOOL LINK	2
21	H33-5	1/16" x 3/4" lg. cotter pin.	2
22	C1188	VALVE LINK CLIP.	1
23	C1071	CONTROL LVR. w/link brkt. & roll pin	1
24	C1017	ROLL PIN - 3/16" x 1-1/4" lg.	1
25	C1172	CONTROL LVR. PRESSURE PLATE.	1
26	H13-1	1/4"-20 x 3/4" lg.hex.head capscrew.	2
27	H26-1	1/4" Plain Washer.	2
28	H27-1	1/4" Lockwasher	2
29	C1072	CONTROL LVR. KNOB	1
30	C1114	SPECIAL SELF SEALING - capscrew	4
31	C1112	SQUARE KEY	1
32	H34-1	WOODRUFF KEY - pump shaft	1



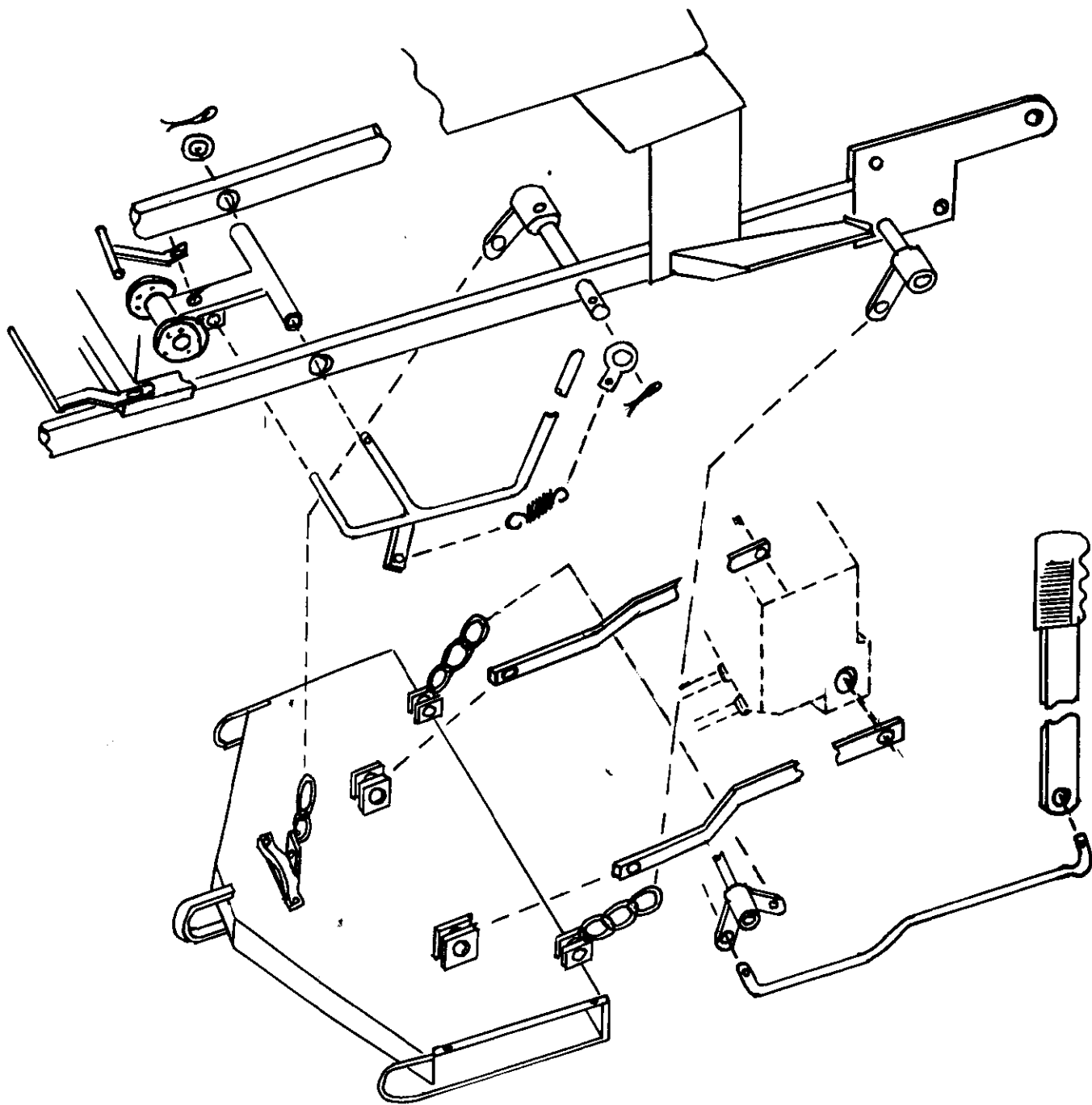
MECHANICAL DRIVE ASSEMBLY

REF.	PART NO.	DESCRIPTION	REQ'D
1	C1003	CLUSTER GEAR ASSEMBLY	1
2	C1011	ROLL PIN - 3/16 x 1-3/4" lg.	4
3	C1114	SPECIAL SELF SEALING capscrew.	12
4	H27-3	3/8" LOCKWASHER	12
5	C1018	AXLE HSG. GASKET.	2
6	C1028	DRIVE SHAFT - shear cplg.	1
7	H34-2	WOODRUFF KEY- axle shaft	2
8	C1189	DRIVE SHAFT STOP WASHER.	1
9	C1115	WHEEL BOLT	8
10	C1007	DRIVE SHAFT	1
11	C1000	NEEDLE BEARING ASSY	1
12	H16-1	3/8" - 16 x 3/8" lg. sckt. head set screw	1
13	C1004	DIFFERENTIAL GEAR HSG.	1
	C1012	DIFFERENTIAL HSG. & GEAR ASSY - complete	1
14	C1005	DIFFERENTIAL PINION GEAR.	4
15	C1006	DIFFERENTIAL GEAR.	2
16	C1010	DIFFERENTIAL PIN	4
17	C1338	RUBBER GRIP.	1
18	C1032	REAR AXLE HSG. ,L. H.	1
19	C1033	REAR AXLE HSG. R.H.	1
20	C1008	REAR AXLE SHAFT , R.H.	1
21	C1009	REAR AXLE SHAFT, L. H.	1
22	C1001	REAR AXLE BUSHING, Flanged	2
23	C1002	REAR AXLE BUSHING	2
24	C1021	OIL SEAL	2
25	C1022	"O" RING	1
26	C1141	REAR WHEEL ASSY 8 x 12	2
	C1151	REAR TIRE 8 x 12 tubeless,	2
27	C1031	WHEEL HUB.	2
28	H16-2	1/4" - 20 x 1/4" lg. cone pt. set screw.	4
29	H16-3	1/4" - 20 x 1/4" lg. flat pt. set screw	4
30	C1025	RETAINER RING	1
31	C1030	PIVOT LEVER	1
32	C1029	GEAR YOKE	1
33	C1017	3/8" x 1-1/4" lg. Roll Pin.	2
34	C1013	SPECIAL YOKE PIN.	1
35	C1034	HIGH & LOW RANGE SHIFT LEVER.	1
36	C1023	BALL	1
37	C1024	SPRING	1



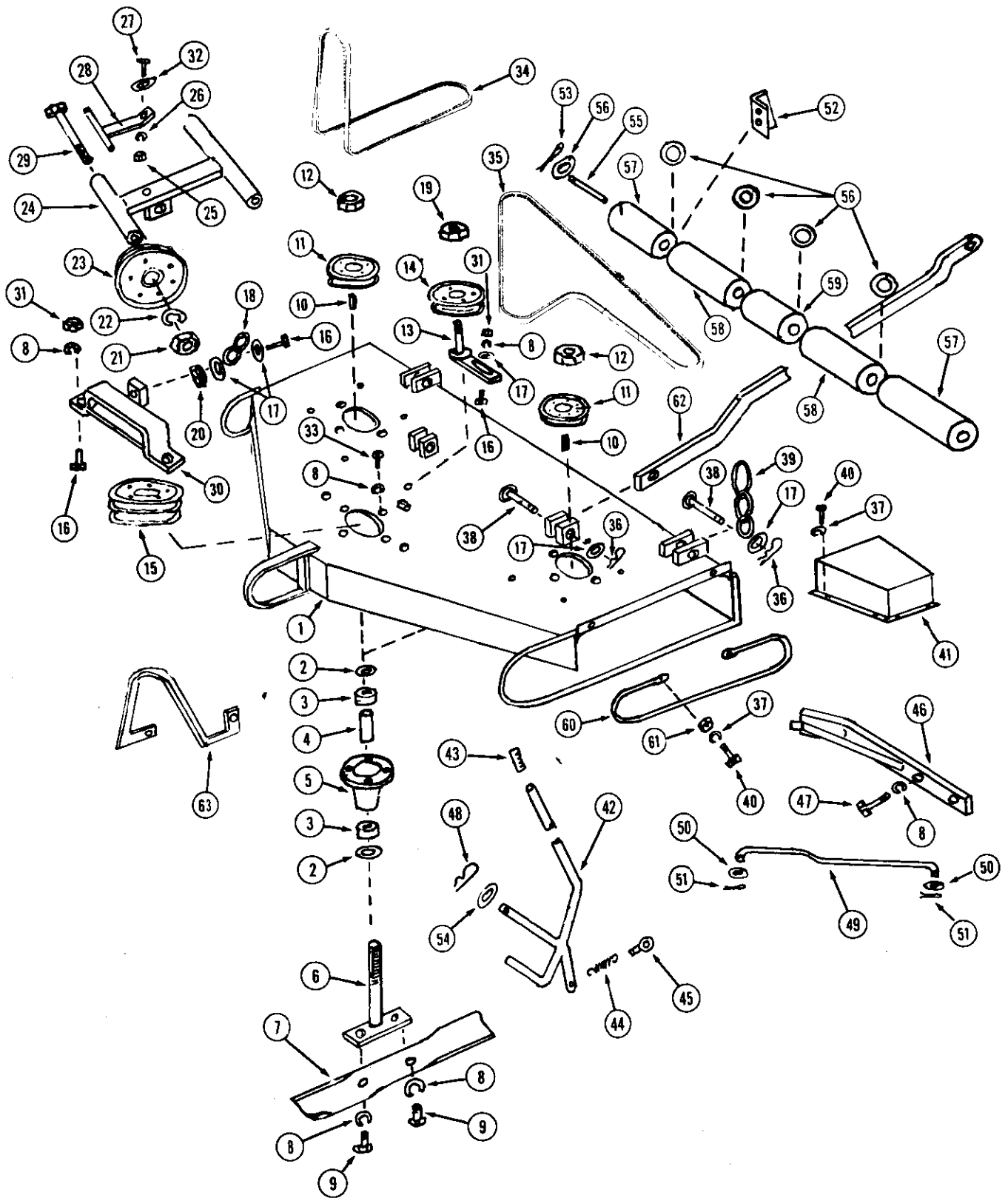
ELECTRICAL SYSTEM

REF.	PART NO.	DESCRIPTION	REQ'D
1	C1131	VOLTAGE REGULATOR.	1
2	C1129	AMMETER.	1
3	C1117	WIRE - Red, 15-1/2"lg.	1
4	C1122	WIRE - white, 10-1/4" lg.	1
5	C1118	WIRE - black, 33"lg.	1
6	C1116	WIRE -yellow, 18"lg.	1
7	C1123	WIRE - black, 12"lg.	1
8	C1119	WIRE- black, 7-1/4"lg.	1
9	C1194	WIRE - white, 9-1/2" lg.	1
10	C1195	WIRE - red, 35"lg.	1
11	C1128	KEY START SWITCH	1
12	C1130	LIGHT SWITCH.	1
13	C1098	BATTERY	1
14	C1126	BATTERY CABLE , 13" (Positive)	1
15	C1125	BATTERY CABLE-11"(Negative)	1
16	C1121	WIRE - green, 33-1/2" lg.	1
17	C1120	WIRE - blue, 15-1/4"lg.	1
18	C1133	STARTING SOLENOID.	1
19	C1124	GENERATOR CABLE-21-1/2"lg.(Armature).	1
	C1127	WIRING HARNESS.	1



MOUNTING INSTRUCTIONS FOR MOWERS

1. Mount rubber roller to the rear of the mower deck. Before tightening the roller to the deck maintain one inch from the top of the mower deck to the top of the roller bracket.
2. Take clutch idler assembly and install it on the mower drive belt. Make certain the pilot hole on this assembly is on the bottom. Tighten the T guard on this assembly after the belt is run through the idler pulleys and place this T guard about 1/8 inch away from the idler pulleys. It is important that this T guard is as close to the pulleys as possible.
3. Now place the mower deck and the clutch idler assembly beneath the Tractor and move the deck to the front of the Tractor.
4. Place the tube end of the clutch idler between the frame and line this up with the holes in the frame located beneath the engine. Take the clutch arm and slip the long arm of this assembly through the hole in the frame and the short arm through the pilot hole on the clutch assembly.
5. Remove the washer on cross bracket located on the frame near the left foot pad. Replace this with the special spring washer and secure this with a cotter key.
6. Pull clutch arm all the way forward past generator and then install clutch spring to the end of the clutch arm and to the special spring washer on the frame.
7. Install clutch lock to the two top holes on the pump mounting bracket. Do not use the bolts you remove on the pump mounting bracket. Use two 3/8 x 1-1/4 hex head cap screws supplied with the mower.
8. While the mower deck is to the front of the Tractor, place drive belt over engine fan and secure to the pulley on the engine shaft.
9. Now move mower deck to the rear of the Tractor as far as you can. Install right and left stabilizer arms to the rear of the transmission and to the inside brackets located on the mower deck. When using hair pins on this mower, always install these through the pin to the end of the hair pin.
10. Install 3 link chain to rear implement lift brackets on each side of the Tractor and to the rear brackets on the mower deck.
11. Install implement lift rod to the bottom of the implement lever and to the other implement lift bracket on rear of Tractor.
12. Now hook up 2 link chain from the center of mower deck to the implement lift bracket located just above it. Do not tighten this lock nut as the chain must always swivel.
13. The mower is now entirely assembled. The clutch arm will now have to be adjusted by bending it either forward or backward, so as to get the proper clutching. The two idler pulleys should be very close to the engine cowling when mower clutch is locked in.
14. Install foot guard to discharge side of mower deck.



MOWER PARTS

REF.	PART NO.	DESCRIPTION	REQ'D
1	C1300	DECK WELDMENT	1
2	C1337	SPINDLE WASHER.	6
3	C1322	SPINDLE BEARING	6
4	C1323	BEARING SPACER.	3
5	C1313	SPINDLE HOUSING	3
	C1319	OUTBOARD SPINDLE - 5-7/8"lg.	2
	C1320	CENTER SPINDLE - 7" lg.	1
7	C1324	BLADE - 15"	3
9	H-13-3	3/8"-16 x 1/2" lg.hex.hd. capscrew,C.P.	6
10	C1302	SQUARE KEY- short, outboard spindle	2
	C1303	SQUARE KEY - lg.center spindle.	1
11	C1333	DECK PULLEY - outboard spindle	2
12	C1321	SPECIAL LOCK NUT- C.P.	3
13	C1308	DECK IDLER ADJUSTMENT BRKT.	1
14	C1330	DECK IDLER PULLEY	1
15	C1332	DECK PULLEY- two-groove	1
16	H13-6	3/8"-16 x 1-1/4"lg.hex.hd.capscrew,C.P.	4
17	H26-3	3/8" Plain Washer,C.P.	9
18	C1340	HANGER CHAIN- two-link.	1
19	H19-2	5/8"-11 lock nut, C. P.	1
20	H19-1	3/8"-16 Lock Nut, C.P.	4
21	H25-6	5/8"-11 Hex Nut, C.P.	1
23	C1331	CLUTCH IDLER PULLEY	2
24	C1307	CLUTCH IDLER BRKT.	1
25	H24-2	5/16"-18 hex.nut,C.P.	1
27	H13-2	5/16"-18 x 1" lg.hex.hd.capscrew,C.P.	1
28	C1312	CLUTCH IDLER BELT GUIDE	1
29	H13-7	5/8"-11 x 5" lg.hex.hd.capscrew.	1
30	C1306	BELT GUARD & LIFT BRKT.	1
31	H24-3	3/8" -16 Hex.Nut, C.P.	2
32	H26-2	5/16" PLAIN WASHER,C. P.	1
33	H13-4	3/8" -16 x 3/4" lg.hex.hd.capscrew,C.P.	10
34	C1329	DRIVE BELT	1
35	C1328	DECK BELT	1
36	C1334	PIN RETAINER.	4
38	C1336	MOUNTING PIN.	4
39	C1341	HANGER CHAIN , Three link.	2
40	H13-1	1/4"-20 x 3/4" lg.hex.head capscrew,C.P.	8
41	C1305	DECK PULLEY COVER,L.H.	1
	C1304	DECK PULLEY COVER,R.H.	1
42	C1309	CLUTCH LEVER ASSY.	1
43	C1338	CLUTCH LEVER GRIP	1
44	C1342	CLUTCH SPRING.	1
45	C1339	SPRING BRACKET.	1
46	C1311	CLUTCH LVR CATCH BRKT.	1
47	H13-5	3/8" - 16 x 1" lg.hex.hd.capscrew,C.P.	5
48	C1335	PIN RETAINER,C.P.	1
49	C1310	LIFT LEVER PUSH ROD.	1
50	H26-5	1/2" PLAIN WASHER,C.P.	2
51	H33-1	COTTER PIN	2
52	C1345	ROLLER BRKT.	1
53	H33-2	COTTER PIN	2
54	H26-6	5/8" Plain Washer,C. P.	1
55	C1347	BRACKET AND ROD ASSY	1
	C1349	ROLLER AND BRKT. ASSY COMPLETE	
56	C1344	ROLLER SPACER	8
57	C1315	ROLLER- 7"	2
58	C1316	ROLLER 10"	2
59	C1314	ROLLER - 5"	1
60	C1343	DISCHARGE GUARD.	1
61	H24-1	1/4"-20 Hex. nut, C.P.	2
62	C1317	PIVOT ARM, R.H.	1
	C1318	PIVOT ARM,L. H.	1
63	C1350	ENGINE PULLEY GUIDE	1

OPERATION

The cutting height of this mower is from one inch to three and one-half inches. There are seven notches on the lift arm and the mower can be run in each notch. For best results, the middle three notches should be used as they will take care of almost any mowing application. The rubber roller is not for height adjustment. This roller is for anti-scalping and should roll on the ground when cutting fine lawns.

QUICK DETACH

To remove the lawn mower from the Tractor the quick detach pins, located on the rear of the deck, must be removed first. The center chain must also be removed. Loosen the T belt guard located between the idler pulleys and the belt guard on the engine pulley. Move the mower pan forward and slip the belt off of the engine pulley and over the fan and off the idlers. The mower pan may now be moved from the Tractor. If the mower is to be removed for some time, the idlers and the clutch assembly should also be taken from the Tractor.

MAINTENANCE

This mower was serviced at the factory and will not have to be greased for the life of the mower. All bearings used on this mower are long-life sealed bearings and do not have to be lubricated.

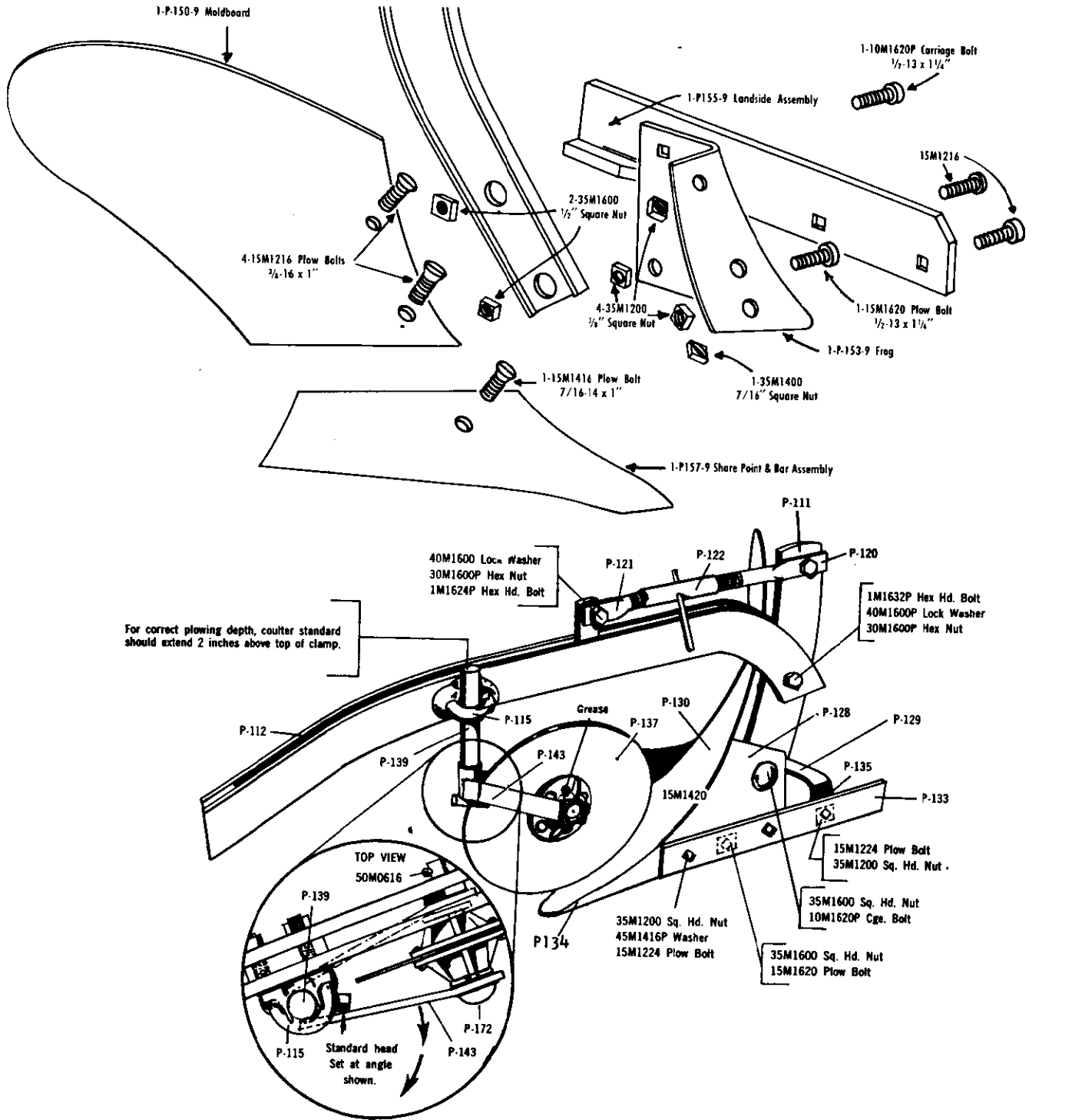
The two belts used on this mower are heavy duty B belts and should give you years of service. The only belt that may have to be adjusted is the deck belt. This is done by loosening the nut holding the idler pulley to the deck. Then take a piece of wood and by placing it on the nut of the idler and hitting it with a hammer, the belt will tighten fast. Then tighten down on the nut you loosened and the belt should be tight again.

Always check the blades periodically for nicks and dullness. If the mower leaves streaks, then the blades will probably have to be sharpened.

IMPORTANT

Always run Tractor throttle at $1/2$ to $3/4$ for all general mowing applications. If cutting tall grass or cutting up hill, use full throttle on Tractor

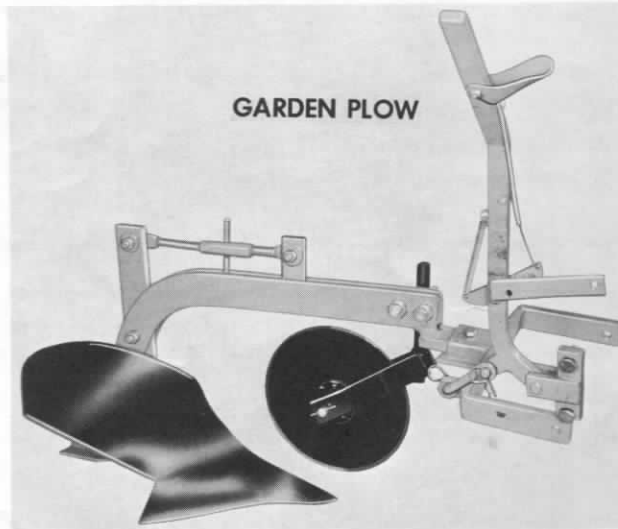
GARDEN PLOW



Number	Description	No. Required
P-111	Standard	1
P-112	Plow Beam Ass'y.	1
P-115	Coultter Clamp 7/8"	1
P-120	Turnbuckle Screw R. H. Th'd.	1
P-121	Turnbuckle Screw L. H. Th'd.	1
P-122	Turnbuckle Barrel w/Handle	1
P-128	Frog	1
P-129	Spreader	1
P-130	Mold	1
P-133	Land & Heel Ass'y.	1
P-135	Spreader Spacer	1

Number	Description	No. Required
P-134	Point & Bar Ass'y.	1
P-137	Coultter Blade	1
P-139	Coultter Std.	1
P-143	Coultter Fork	1
P-172	Coultter Axle	1
50M0616	Pin, Cotter 3/16" x 1"	1
30M1600P	Hex Nut 1/2"	2
35M1200	Sq. Hd. Nut 3/8"	7
35M1400	Sq. Hd. Nut 7/16	1
35M1600	Sq. Hd. Nut 1/2"	2

Number	Description	No. Required
10M1620P	Carriage Bolt 1/2" x 1-1/4"	1
1M1624P	Hex Hd. Bolt 1/2" x 1-1/2"	2
1M1632P	Hex Hd. Bolt 1/2" x 2"	1
15M1216	Plow Bolt Gr. 5 3/8" x 1" #3	6
15M1420	Plow Bolt Gr. 5 7/16" x 1-1/4" #3	1
15M1224	Plow Bolt Gr. 5 3/8" x 1-1/2" #3	1
15M1620	Plow Bolt Gr. 5 1/2" x 1-1/4" #3	1
40M1600P	Lock Washer 1/2"	2
45M1416P	Washer 3/8"	1



PREPARING THE PLOW FOR USE

The plow bottom must be cleaned so that dirt will slide off the moldboard without sticking. Wipe the polished surface with a rag soaked in turpentine, naphtha or gasoline. An old brick or a pumice stone can also be used to remove the protective coating, but usually this is not necessary if soil is not too wet.

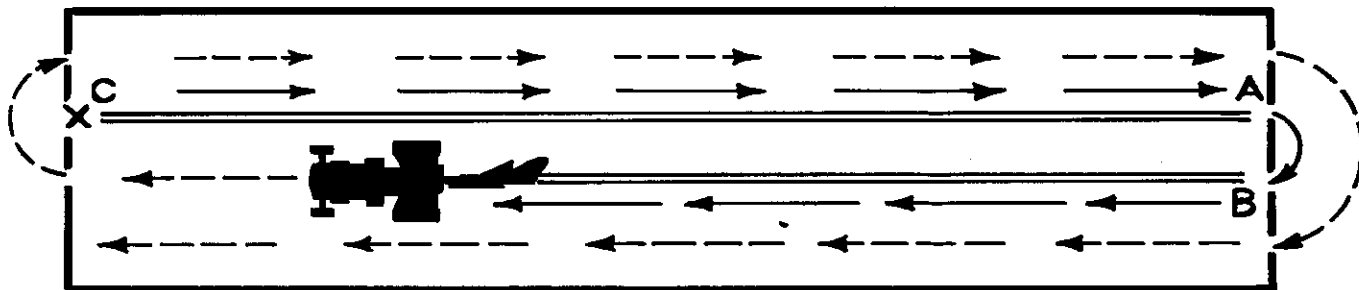
TO BEGIN PLOWING

This is a 10" plow and works best at a depth of 5 to 6 inches. Turn the plow point into the ground when opening the furrow, by adjusting the turnbuckle. After the dead furrow has been made, level the plow by running the right tractor wheels in the previous furrow and adjusting turnbuckle. When the right tractor wheels are in the furrow, the plow is designed to run in the proper horizontal angle.

For a 5 to 6 inch plowing depth, the coulter should slice from 2 to 3 inches deep, but not deep enough to drag the hub.

Make sure the ground is in proper plowing condition before starting. Never plow when the soil is wet. If it is too dry, it will be difficult for the plow to penetrate the soil. Avoid low places, old roadways, paths and other places where the soil is overly packed. Expect to have trouble with a thick sod which has not been plowed in several years. However, by finding the correct setting at the coulter, the hitch and the turnbuckle, you should be able to do a satisfactory job under most conditions. High weeds or grass should be cut down with the rotary mower before plowing.

Lay out your field to be plowed, and, if possible, make it rectangular in shape, about 3 times as long as it is wide. **NOTE** It is easier to plow a few long furrows than many short ones. LEAVE SOME ROOM AT EACH END FOR TURNING YOUR TRACTOR. Start plowing by laying off a dead furrow as shown in the sketch below.



Begin at point "X" and plow a furrow to the end of your plot. Fix your eyes on a tree or some distant object in line with the middle of the plot so that you can guide your tractor and plow a straight first furrow to point "A". **NOTE: ALWAYS LIFT PLOW BEFORE TURNING,** and, at point "B", lower it again and plow a dead furrow piling the dirt on top of dirt from the first furrow. When you return to point "X" and start your real plowing with both the tractor's right wheels in the furrow at point "C", level out the plow with the turnbuckle. Plow in a clockwise direction, always **LIFTING** your plow at the end of the furrow before turning.

SPEED

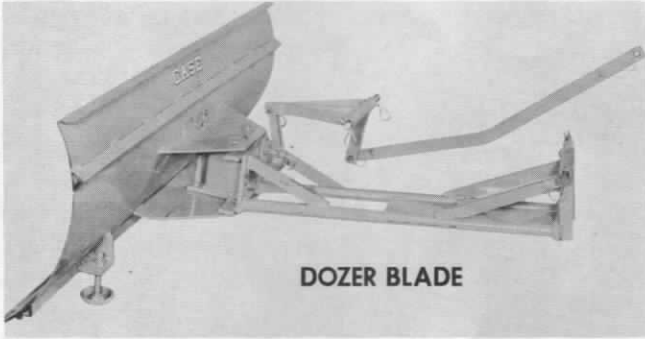
Do not plow too fast. Move steadily so that the earth will turn over and not fall back into the furrow. In most soils, this is done at near full throttle in first gear.

In light soils, plowing may often be done in second gear, but if you go too fast, you will get an uneven plowing job and the dirt is apt to be thrown instead of rolled over.

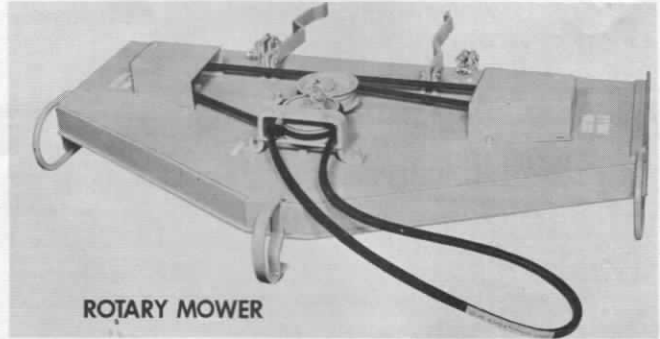
NOTE

When putting plow away, always wipe polished surface and coulter blade with grease or oil to prevent rust.

ATTACHMENTS



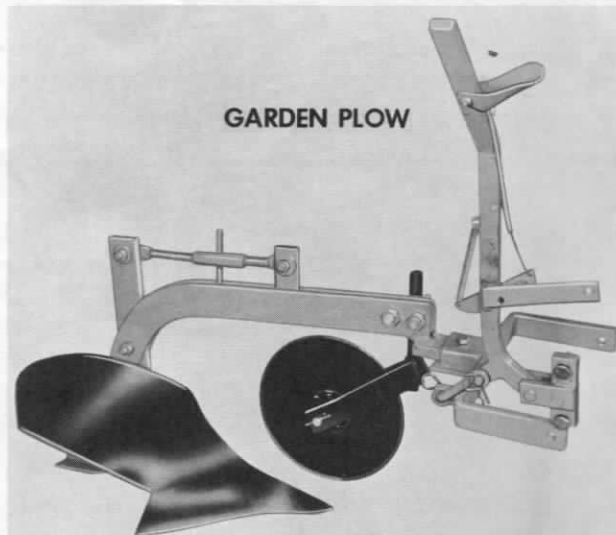
DOZER BLADE



ROTARY MOWER



DUMP CART



GARDEN PLOW

NOTE: The J. I. Case Company reserves the right to make improvements in design or changes in specifications at any time without incurring any obligation to install them on units previously sold.

