

FRONT CUT MOWER ATTACHMENTS
FM52, FM4212, FM4218, FM5212
FM5218, FM6218 MOWERS
FCSB51 SNOWBLOWER
FCUB54 UTILITY BLADE
EDL ELECTRIC DECK LIFT
VB4252, VB62 VAC BLOWER
FCBC BARREL COLLECTOR
FCMGB GRASS BOX
Parts Catalog 8-3250

6-92-RP-500-207

APPLICATION CHART

FRONT CUT MOWER MODEL	ATTACHMENT MODEL
5012	FM52R, FM4212, FM5212 MOWER DECK FCSB51, SNOWBLOWER FCUB54 UTILITY BLADE
5018	FM52R, FM4218, FM5218, FM6218 MOWER DECK FCSB51 SNOWBLOWER FCUB54 UTILITY BLADE
VAC. BLOWER MODEL	USE ON DECK MODEL
✓ VB4252	FM4212, FM5212, FM4218, FM5218
✓ VB62	FM6218

INGERSOLL

Ingersoll Equipment Co., Inc.

GENERAL INFORMATION

INDEX

There is an index at the front and rear of this catalog.

The front index is an alphabetical index of the major groups or assemblies.

The rear index is a numerical index of the part numbers and pages on which these numbers are shown.

ILLUSTRATION

Each illustration in this catalog shows a group of parts or components. These parts and components are aligned approximately as the parts and components on your machine. Each part and component in an illustration has a reference number. These reference numbers are in a list on the page opposite of the illustration. Next to the reference number is the part number, description and required quantity of the part shown in the illustration.

UAR - "Use as required" indicates that the part quantity is variable.

NSS - "Not sold separately" indicates that the part is only available as a component of an assembly or the part must be purchased locally. If the part is an assembly component, the description will be indented under the assembly description in the parts list.

O/L - "Obtain locally"

** - "Footnotes" are added to a part number when more information is needed for identification. They only relate to the part numbers indicated.

INDENTED DESCRIPTIONS

An assembly can have many components. The components of an assembly are indicated by an indented description. The quantity for an indented part is the total needed for that complete assembly. See the example.

REF.	PART NO.	DESCRIPTION	REQ'D
	C 55159	CYLINDER ASSY - rear steering	1
28	C 56208	SOCKET ASSY - rear cylinder	1
29	C 55956	PLUG - adjusting, socket assy	1
30	C 55957	SEAT - socket ball	2
31	C 56210	SPRING - socket	1
32	C 56209	SEAT - socket spring	1
33	G 45175	CLAMP ASSY - socket assy	1
	16- 836	BOLT - 1/2" x 2-1/4" N.F. hex	1
34	132- 104	PIN - cotter, 3/16" x 3"	1
35	C 55889	STUD - ball, socket & cylinder	2
36	13- 410	BOLT - 1/4" x 5/8" N.C., hex	4
37	92- 4	LOCK WASHER - 1/4" SAE	4

PARTS ORDERS

All orders must include the following information:

1. Correct part number.
2. Complete description of part or component.
3. Total quantity of each part or component.
4. Product model number.
5. All necessary product identification numbers.
6. Method for sending the parts.
7. Complete and correct address.

CATALOG REVISIONS

As the product changes, new pages will be available for your catalog. A notice will be issued.

IMPORTANT: Put all revisions into the catalog as soon as possible.

RIGHT HAND AND LEFT HAND IDENTIFICATION

The words right hand (RH) and left hand (LH) as used in this catalog indicate the direction while you are in the operator's seat in the normal operating position.

TABLE OF CONTENTS

FM52R MOWER DECK

	Page	Grid
Mower Deck and Attaching Parts	5	A6
Gear Box	21	B8
Decals	27	B14

FM4212 AND FM 4218 MOWER DECK

Mower Deck and Attaching Parts	9	A10
Mower Drive	11	A12
Gear Box	21	B8
Decals	27	B14

FM5212 AND FM5218 MOWER DECK

Mower Deck and Attaching Parts	13	A14
Mower Drive	15	B2
Gear Box	21	B8
Decals	27	B14

FM6218 MOWER DECK

Mower Deck and Attaching Parts	17	B4
Mower Drive	19	B6
Gear Box	21	B8
Decals	27	B14

FCSB51 SNOWBLOWER

Entire Parts List	23	B10
Decals	27	B14

FCUB54 UTILITY BLADE

Entire Parts List	25	B12
Decals	27	B14

EDL ELECTRIC DECK LIFT KIT

Entire Parts List	29	C2
-------------------	----	----

VB4252 AND VB62 VAC BLOWER

Entire Parts List	31	C4
-------------------	----	----

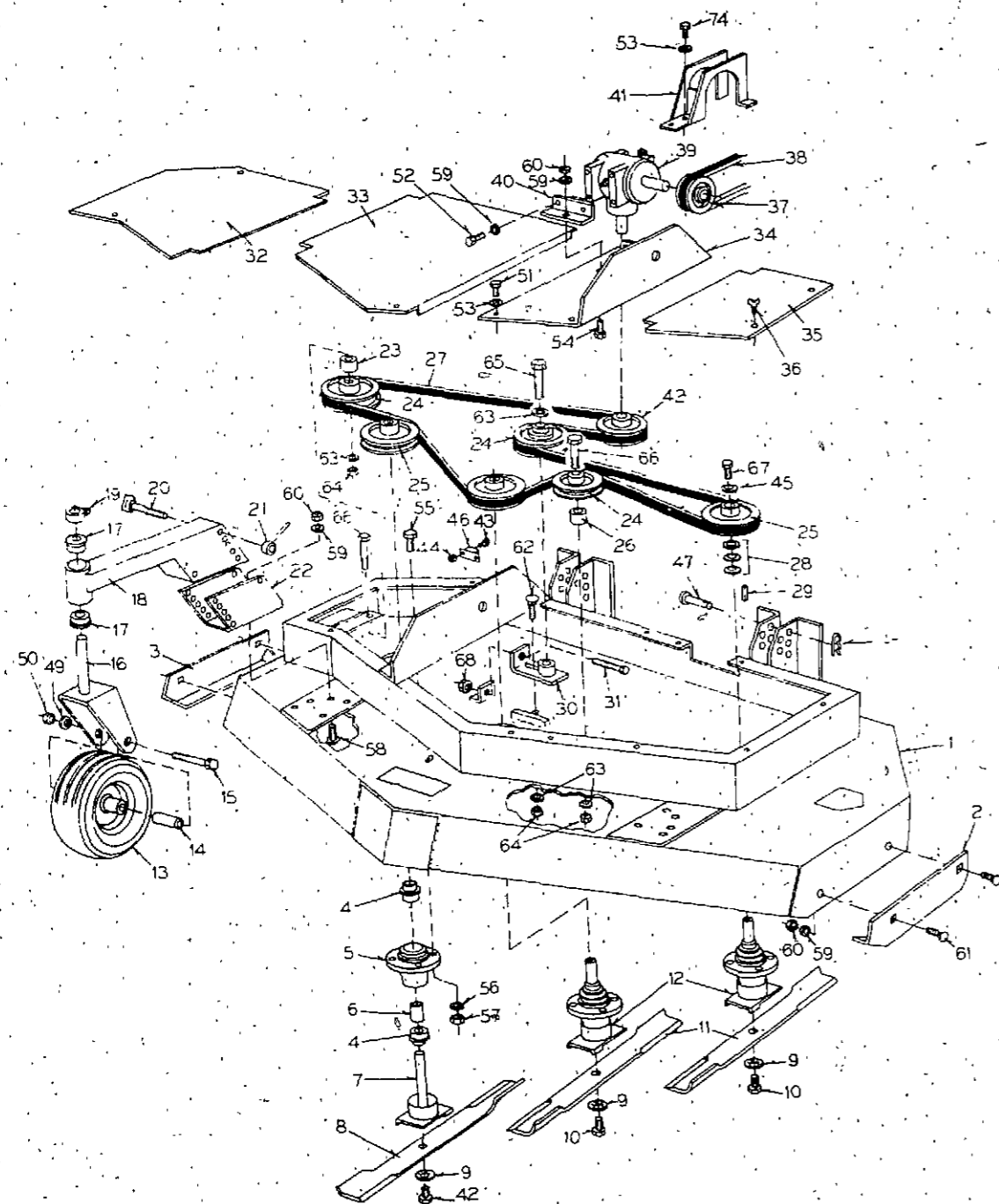
FCBC BARREL COLLECTOR

Entire Parts List	33	C6
-------------------	----	----

FCMGB GRASS BOX

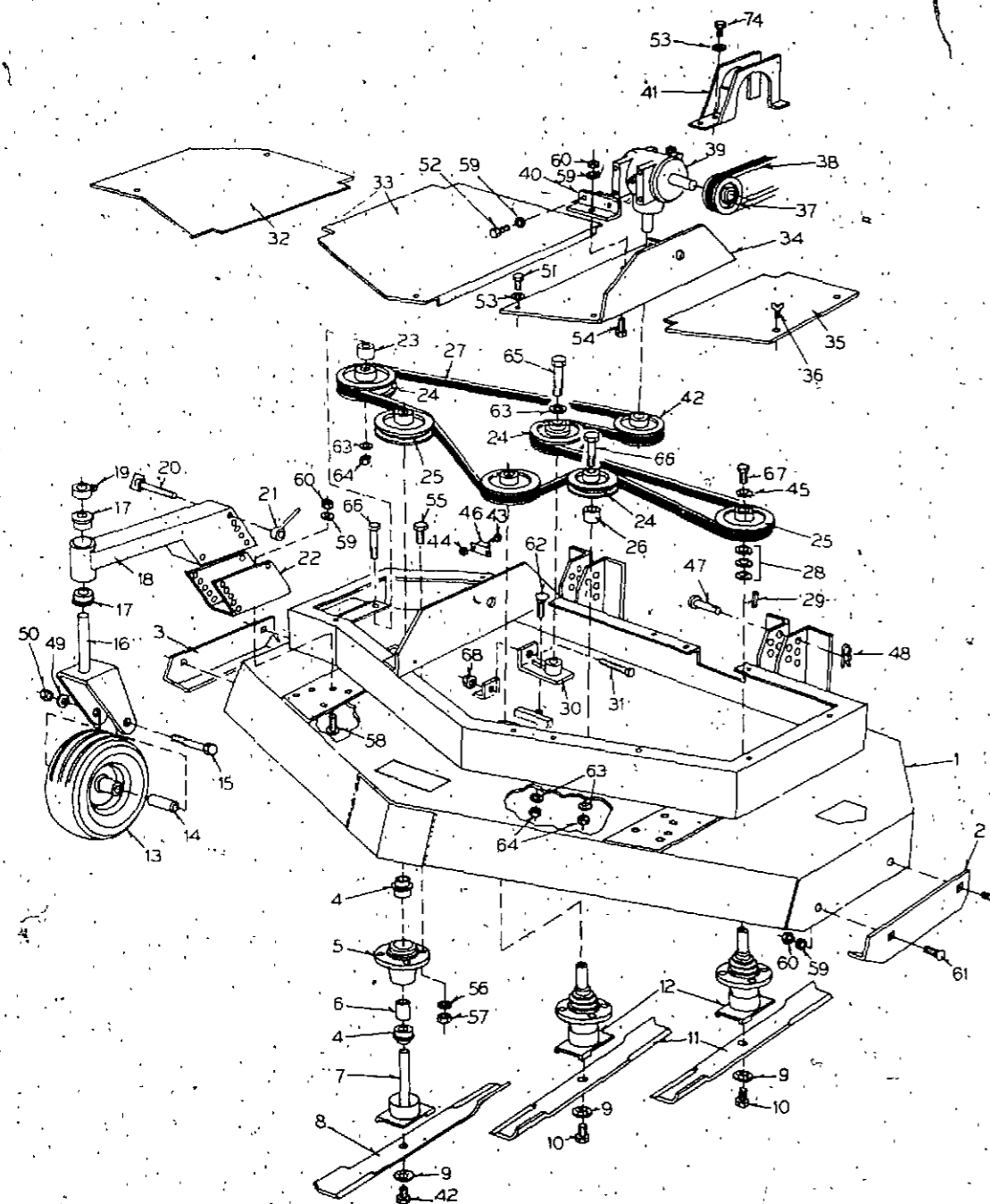
Entire Parts List	35	C8
-------------------	----	----

MOWER DECK AND ATTACHING PARTS



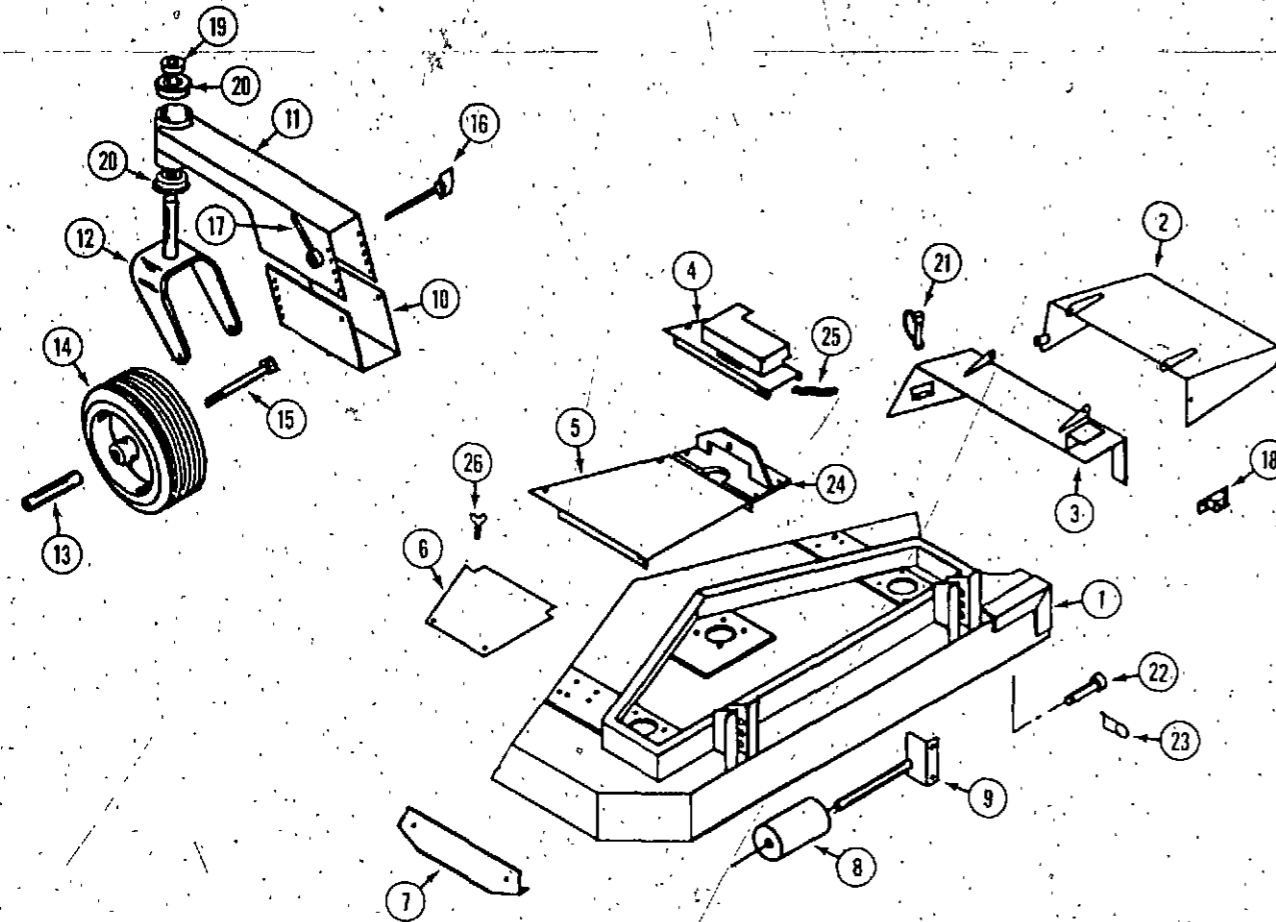
REF.	PART NO.	DESCRIPTION	REQ'D
1	C 42228	DECK - rear discharge 52"	1
2	C 37942	SHOE - skid L.H.	1
3	C 38073	SHOE - skid R.H.	1
4	C 37882	BEARING - spindle 7/8	6
5	C 37880	HOUSING - spindle	3
6	C 37881	SPACER - spindle	3
7	C 38074	SHAFT - spindle L.H. rotation	1
8	C 38075	BLADE - L.H. rotation	1
9	C 37886	WASHER - blade	3
10	C 37557	BOLT - 3/8" - 24 x 1-1/4"	2
11	C 37930	BLADE - R.H. rotation	2
12	C 37883	SHAFT - spindle	2
13	C 37916	WHEEL - gauge	2
	C 37917	TIRE - 11 x 4.00 - 5	1
	C 37918	RIM - 5"	1
	C 37872	BEARING - wheel	2
14	C 37915	AXLE - gauge wheel	2
15	C 38056	BOLT - 1/2" - 13 x 6-1/2"	2
16	C 37914	FORK - gauge wheel	2
17	C 37824	BEARING - 1"	4
18	C 37913	MOUNT - gauge wheel	2
19	C 37860	COLLAR - set 1"	2
20	C 37920	BOLT - wing 3/8" - 16 x 4-1/2"	4
21	C 37921	NUT - gauge wheel handle 3/8" - 16	4
22	C 37912	BRACKET - gauge wheel mount	2
23	C 38076	SPACER - idler pulley	1
24	C 38077	PULLEY - idler 5"	3
25	C 38078	PULLEY - spindle 4-1/2"	3
26	C 37937	SPACER - idler pulley	1
27	C 38079	BELT - deck	1
28	C 37888	WASHER - spacer	9
29	C 37771	KEY - 3/16" x 3/16" x 1"	5
30	C 38080	TIGHTENER - belt	1
31	C 37901	BOLT - 1/4" - 20 x 4"	1
32	C 42230	COVER - R.H.	1
33	C 39203	COVER - center	1
34	C 39205	MOUNT - gear box	1
35	C 39200	COVER - L.H.	1

MOWER DECK AND ATTACHING PARTS



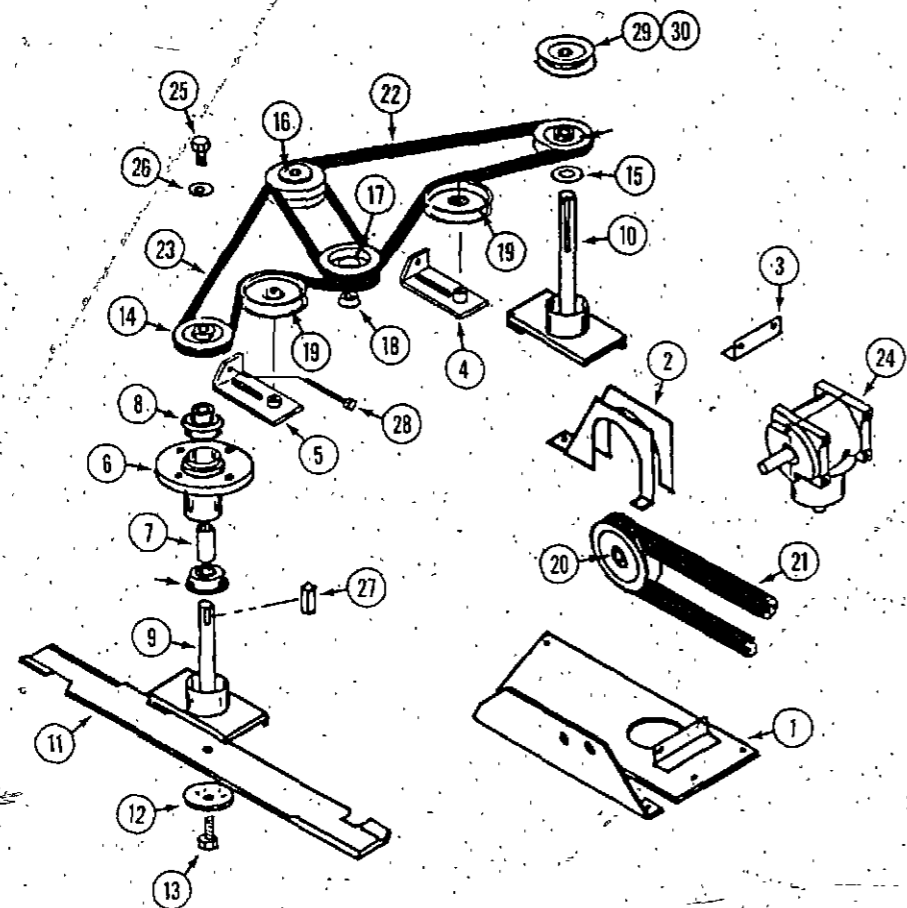
REF.	PART NO.	DESCRIPTION	REQ'D
36	C 37927	SCREW - thumb 1/4" - 20 x 1/2"	6
37	C 37892	PULLEY - gear box input	1
38	C 37894	BELT - drive	1
39	C 37898	GEAR BOX - angle drive (see page 21 for service)	1
40	C 37877	ANGLE - gear box mount	1
41	C 37875	GUARD - belt	1
42	C 38083	BOLT - 3/8" - 24 x 1-1/4" L.H.	1
43	C 37597	SCREW - # 10 - 32 x 1/2"	2
44	C 37598	NUT - lock #10 - 32	2
45	C 37900	WASHER - spindle	3
46	C 37505	BREAKER - circuit 10 amp	1
47	C 38589	PIN - clevis 1/2" x 1-1/2"	2
48	C 38096	PIN - cotter, hair	2
49	C 37590	LOCKWASHER - 1/2"	2
50	C 37593	NUT - 1/2" - 13	2
51	C 38084	BOLT - 1/4" - 20 x 3/4"	5
52	C 38085	BOLT - 5/16" - 18 x 1"	4
53	C 37757	LOCKWASHER - 1/4"	7
54	C 38086	BOLT - 5/16" - 18 x 3/4"	1
55	C 38087	BOLT - 7/16" - 14 x 1-1/4"	1
56	C 38088	LOCKWASHER - 7/16"	12
57	C 38089	NUT - 7/16" - 14	12
58	C 38090	BOLT - carriage 5/16" - 18 x 1"	6
59	C 37748	LOCKWASHER - 5/16"	10
60	C 37560	NUT - 5/16"	10
61	C 38091	BOLT - carriage 5/16" - 18 x 3/4"	4
62	C 38092	BOLT - carriage 3/8" - 16 x 1"	1
63	C 37591	LOCKWASHER - 3/8"	4
64	C 37592	NUT - 3/8" - 16	3
65	C 38093	BOLT - 3/8" - 16 x 1-1/4"	1
66	C 38094	BOLT - 3/8" - 16 x 2-1/2	2
67	C 37899	BOLT - 5/16" - 24 x 3/4"	3
68	C 37734	NUT - lock 1/4" - 20	

MOWER DECK AND ATTACHING PARTS



REF.	PART NO.	DESCRIPTION	REQ'D
1	C 41249	DECK - 42"	1
2	C 39208	CHUTE - foot guard	1
3	C 39209	MOUNT - foot guard	1
4	C 41255	COVER - pulley	1
5	C 41259	COVER - center	1
6	C 38063	COVER - L.H.	1
7	C 38451	SHOE - skid L.H.	1
8	C 37910	ROLLER - anti-scalp	1
9	C 37911	SHAFT - roller	1
10	C 37912	BRACKET - gauge wheel mount	2
11	C 37913	MOUNT - gauge wheel	2
12	C 37914	FORK	2
13	C 37915	AXLE - wheel	2
14	C 37916	WHEEL - gauge	2
	C 37917	TIRE - 11 x 4.00 - 5	1
	C 37918	RIM - 5"	1
	C 37872	BEARING - wheel	2
15	C 38056	BOLT - 1/2" - 13 x 6-1/2"	2
16	C 37920	BOLT - wing	4
17	C 37921	NUT - gauge wheel handle	4
18	C 37505	BREAKER - circuit 10 amp	1
19	C 37860	COLLAR - set 1"	2
20	C 37824	BEARING - 1"	4
21	C 37922	PIN - "fas-tatch"	1
22	C 38095	PIN - deck	2
23	C 37924	PIN - cotter, hair	2
24	C 37925	MOUNT - deck	1
25	C 37926	SPRING	1
26	C 37927	SCREW - thumb 1/4" - 20 x 1/2"	4

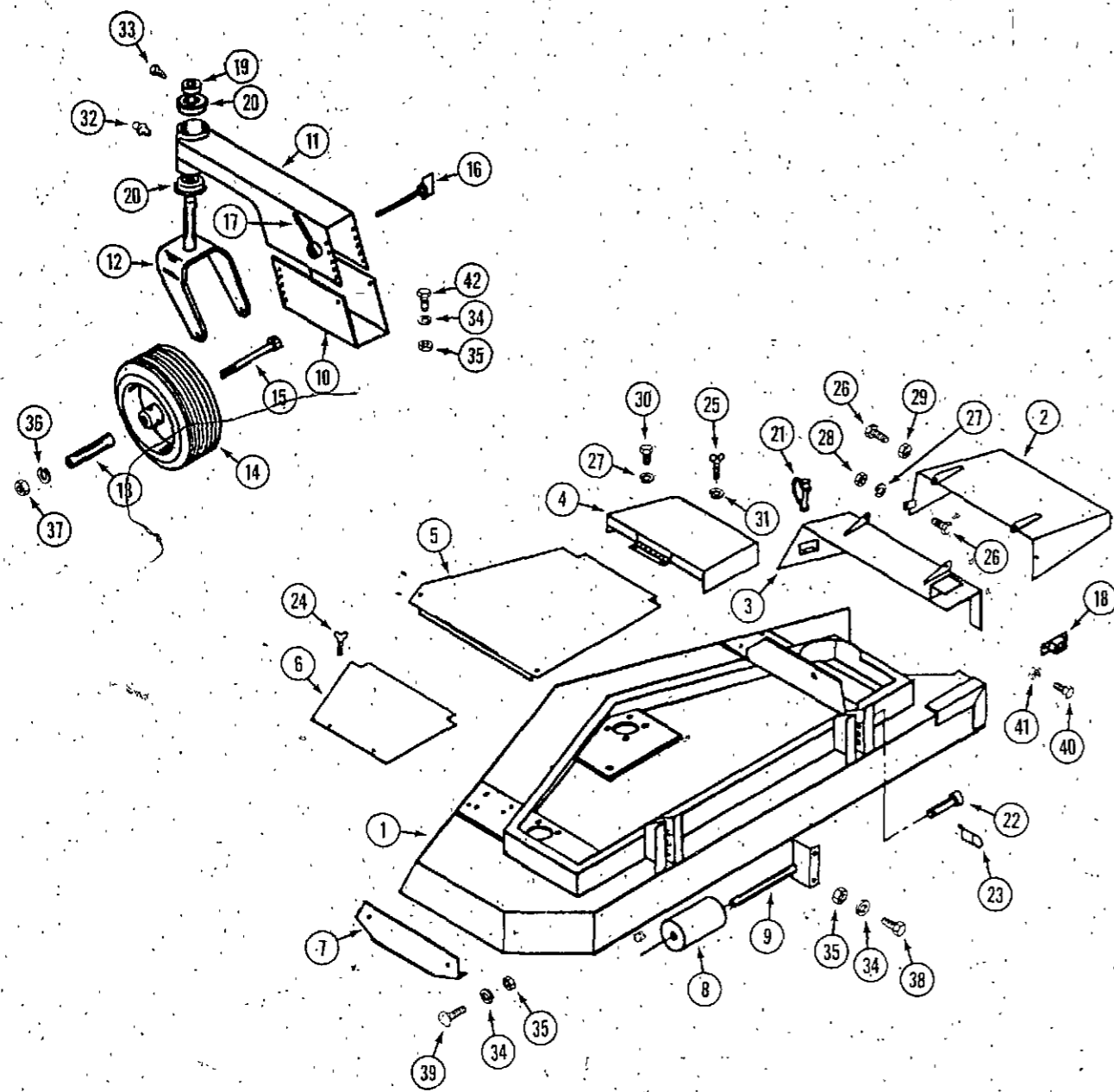
MOWER DRIVE



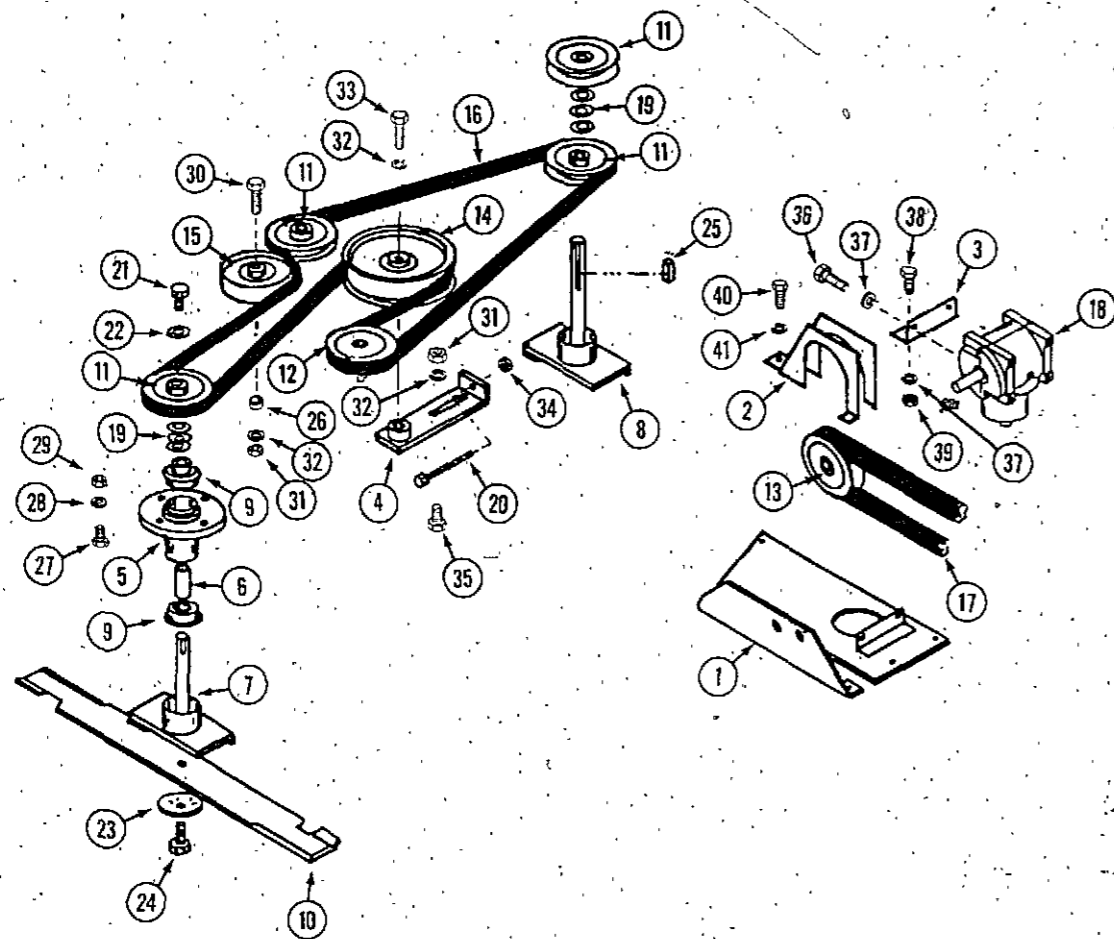
REF.	PART NO.	DESCRIPTION	REQ'D
1	C 41269	MOUNT - gear box	1
2	C 37875	GUARD - belt	1
3	C 37877	ANGLE - gear box mount	1
4	C 37878	TIGHTENER - belt	1
5	C 37879	TIGHTENER - belt	1
6	C 37880	HOUSING - spindle	3
7	C 37881	SPACER - spindle	3
8	C 37882	BEARING - spindle	6
9	C 37883	SHAFT - spindle	2
10	C 37884	SHAFT - spindle	1
11	C 37885	BLADE - (4218)	3
11	C 38036	BLADE - (4212)	3
12	C 37886	WASHER - blade	3
13	C 37557	BOLT - 3/8" - 24 x 1-1/4"	3
14	C 37887	PULLEY - spindle	2
15	C 37888	WASHER - spacer	9
16	C 37889	PULLEY - spindle, double	1
17	C 37890	PULLEY - gear box output	1
18	C 41658	HUB - pulley	1
19	C 37891	PULLEY - idler	2
20	C 37892	PULLEY - gear box input	1
21	C 37894	BELT - drive	1
22	C 37896	BELT - deck	1
23	C 37897	BELT - deck	1
24	C 37898	GEAR BOX - see page 21 for repairs	1
25	C 37899	BOLT - 5/16" - 24 x 3/4"	3
26	C 37900	WASHER - 5/16", 10 ga.	3
27	C 37771	KEY - 3/16" x 3/16" x 1"	6
28	C 37901	BOLT - 1/4" - 20 x 4"	2
29	C 38037	PULLEY - spindle (4212)	1
30	C 37887	PULLEY - spindle (4218)	1

MOWER DECK AND ATTACHING PARTS

REF.	PART NO.	DESCRIPTION	REQ'D
1	C 39210	DECK - 52"	1
2	C 39208	CHUTE - foot guard	1
3	C 39209	MOUNT - foot guard	1
4	C 39204	COVER - pulley	1
5	C 39203	COVER - center	1
6	C 39200	COVER - L.H.	1
7	C 37942	SHOE - skid	1
8	C 37910	ROLLER - anti-scalp	1
9	C 37911	SHAFT - roller	1
10	C 37912	BRACKET - gauge wheel mount	2
11	C 37913	MOUNT - gauge wheel	2
12	C 37914	FORK	2
13	C 37915	AXLE - wheel	2
14	C 37916	WHEEL - gauge	2
	C 37917	TIRE - 11 x 4.00 - 5	1
	C 37918	RIM - 5"	1
	C 37872	BEARING - wheel	2
15	113- 2419	BOLT - 1/2" - 13 x 6-1/2"	2
16	C 37920	BOLT - wing	4
17	C 37921	NUT - gauge wheel handle	4
18	C 37505	BREAKER - circuit, 10 amp	1
19	C 37860	COLLAR - set	2
20	C 37824	BEARING - 1"	4
21	C 37922	PIN - "fas-tatch"	1
22	C 29692	PIN - deck	1
23	C 29029	PIN - cotter, hair	2
24	C 37927	SCREW - thumb 1/4" - 20 x 1/2"	4
25	C 37943	SCREW - wing 1/4" - 20 x 1"	1
26	113- 3	BOLT - 1/4" - 20 x 3/4"	4
27	192- 19	LOCKWASHER - 1/4"	2
28	129- 101	NUT - 1/4" - 20	2
29	131- 71	NUT - 1/4" - 20 lock	2
30	113- 1	BOLT - 1/4" - 20 x 1"	2
31	195- 102	WASHER - 1/4"	1
32	C 37993	FITTING - grease	2
33	C 37756	SCREW - set 5/16" - 18 x 1/2" square head	2
34	192- 20	LOCKWASHER - 5/16"	6
35	129- 102	NUT - 5/16" - 18	6
36	192- 23	LOCKWASHER - 1/2"	2
37	129- 105	NUT - 1/2" - 13	2
38	113- 102	BOLT - 5/16" - 18 x 3/4"	2
39	111- 202	BOLT - 5/16" - 18 x 3/4" carriage	2
40	182- 528	SCREW - #10 - 32 x 1/2"	2
41	C 37598	NUT - #10 - 32	2
42	111- 203	BOLT - 5/16" - 18 x 1" carriage	6

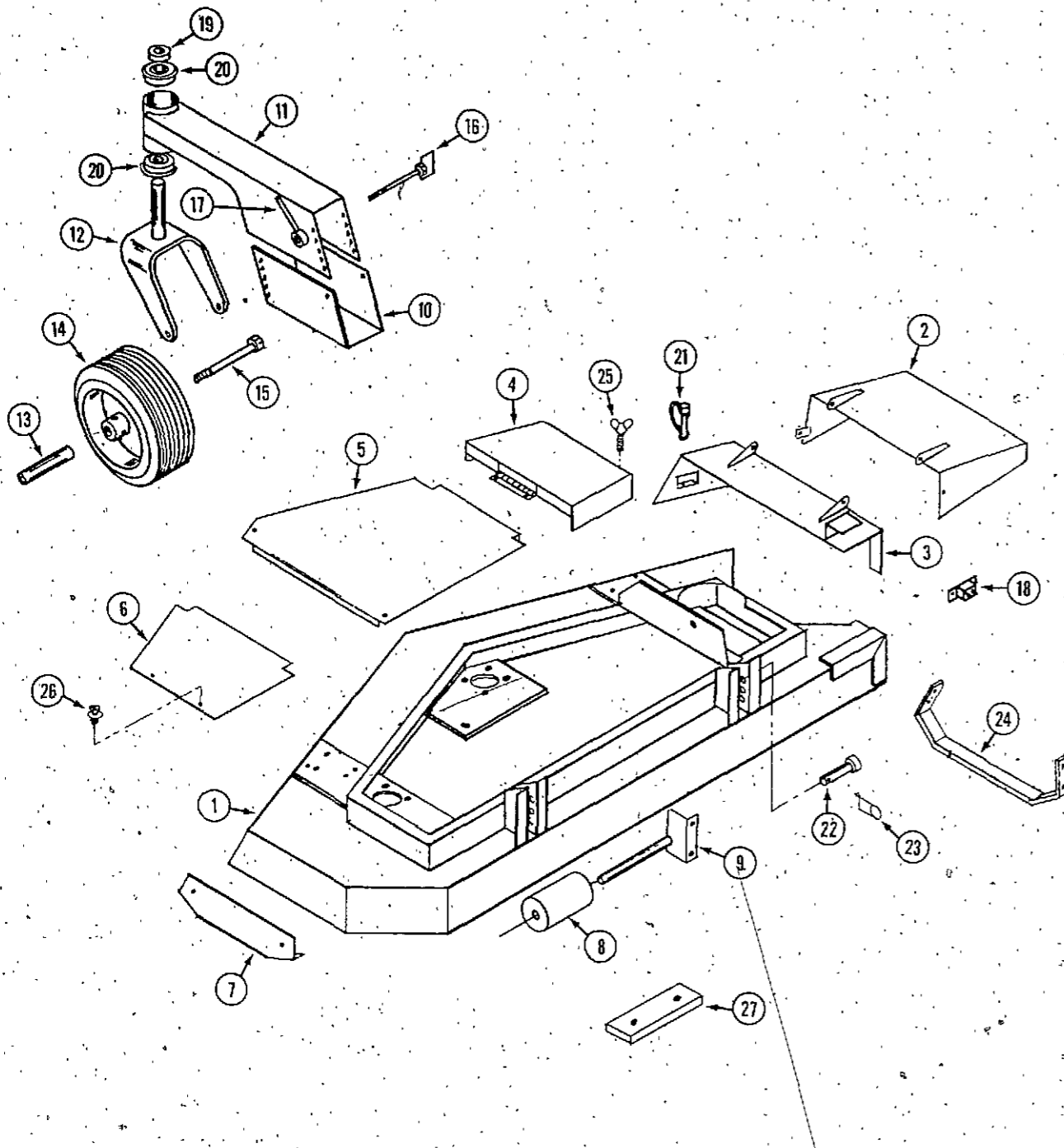


MOWER DRIVE



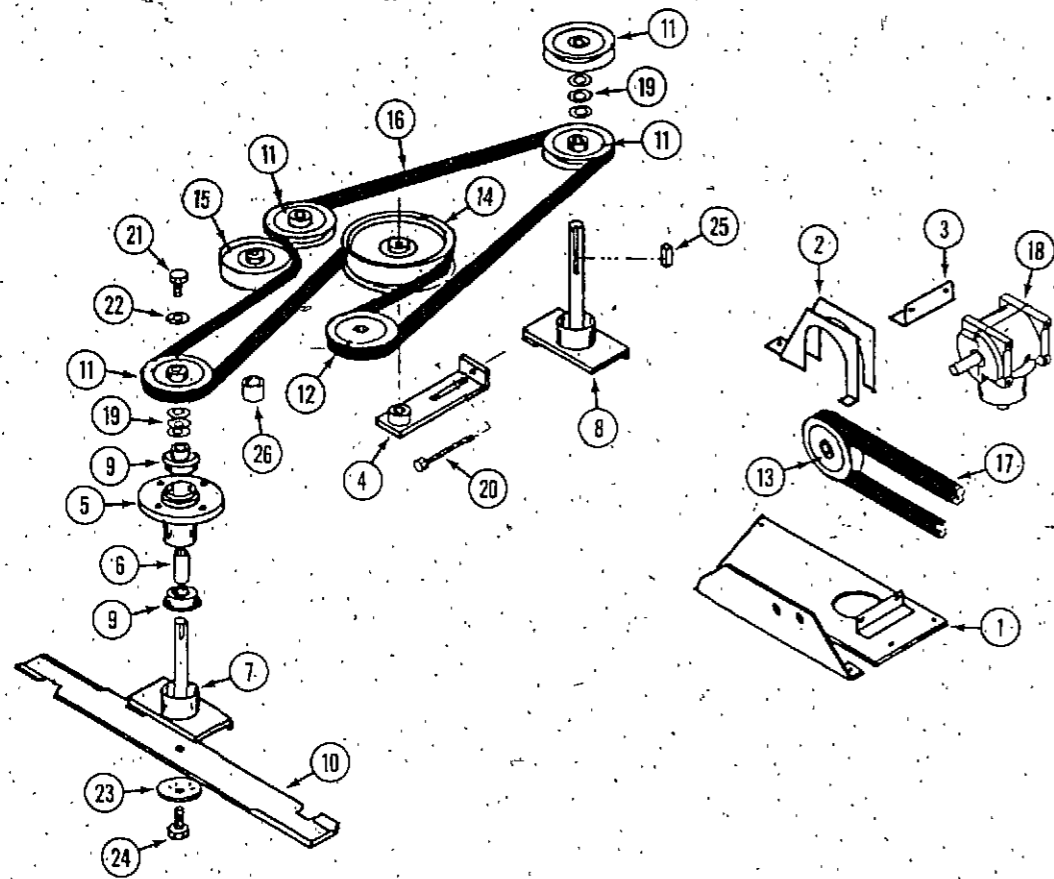
REF.	PART NO.	DESCRIPTION	REQ'D
1	C 39205	MOUNT - gear box	1
2	C 37875	GUARD - belt	1
3	C 37877	ANGLE - gear box mount	1
4	C 37929	TIGHTENER - belt	1
5	C 37880	HOUSING - spindle	3
6	C 37881	SPACER - spindle	3
7	C 37883	SHAFT - spindle	3
8	C 37884	SHAFT - spindle, long	1
9	C 37882	BEARING - spindle	3
10	C 37930	BLADE - mower (FM5218)	3
10	C 38042	BLADE - mower (FM5212)	3
11	C 37931	PULLEY - spindle	4
12	C 37932	PULLEY - gear box output	1
13	C 37892	PULLEY - gear box input	1
14	C 37933	PULLEY - idler, large	1
15	C 37934	PULLEY - idler, small	1
16	C 37935	BELT - deck	1
17	C 37894	BELT - drive	1
18	C 37898	GEAR BOX - angle drive (see page 21 for repairs)	1
19	C 37888	SPACER - washer	12
20	C 37901	BOLT - 1/4" - 20 x 4"	1
21	114- 102	BOLT - 5/16" - 24 x 3/4"	3
22	C 37900	WASHER - 5/16" - 10 ga.	3
23	C 37886	WASHER - blade	3
24	114- 201	BOLT - 3/8" - 24 x 1-1/4"	3
25	C 29581	KEY - 3/16" x 1"	6
26	C 37937	SPACER - idler pulley	1
27	113- 312	BOLT - 7/16" - 14 x 1-1/4"	12
28	192- 22	LOCKWASHER - 7/16"	12
29	129- 104	NUT - 7/16" - 14	12
30	113- 257	BOLT - 3/8" - 16 x 2-1/2"	1
31	129- 103	NUT - 3/8"	1
32	192- 21	LOCKWASHER - 3/8"	1
33	113- 208	BOLT - 3/8" - 16 x 1-1/4"	1
34	131- 71	NUT - 1/4" - 20 lock	1
35	111- 371	BOLT - 3/8" - 16 x 1" carriage	1
36	113- 103	BOLT - 5/16" - 18 x 1"	4
37	192- 20	LOCKWASHER - 5/16"	5
38	113- 102	BOLT - 5/16" - 18 x 3/4"	1
39	129- 102	NUT - 5/16" - 18	1
40	113- 1	BOLT - 1/4" - 20 x 1/2"	2
41	192- 19	LOCKWASHER - 1/4"	2

MOWER DECK AND ATTACHING PARTS

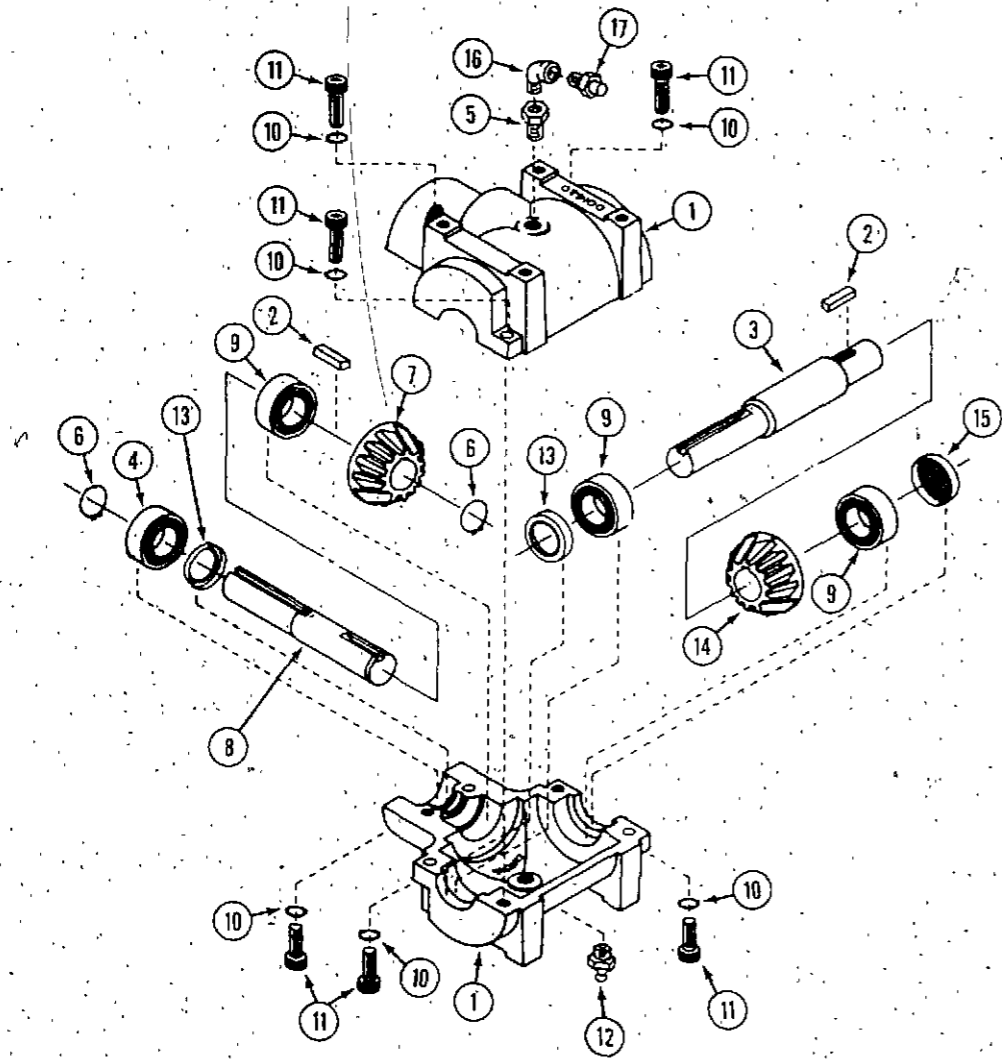


REF.	PART NO.	DESCRIPTION	REQ'D
1	C 41368	DECK - 62"	1
2	C 41396	CHUTE - foot guard	1
3	C 41400	MOUNT - foot guard	1
4	C 41392	COVER - pulley	1
5	C 41378	COVER - center	1
6	C 41373	COVER - L.H.	1
7	C 37965	SHOE - skid L.H.	1
8	C 37910	ROLLER - anti-skid	1
9	C 37911	SHAFT - roller	1
10	C 37912	BRACKET - gauge wheel mount	2
11	C 37913	MOUNT - gauge wheel	2
12	C 37914	FORK - gauge wheel	2
13	C 37915	AXLE - gauge wheel	2
14	C 37916	WHEEL - gauge	2
	C 37917	TIRE - 11 x 4.00 - 5	1
	C 37918	RIM - 5"	1
	C 37872	BEARING - wheel	2
15	C 38056	BOLT - 1/2" - 13 x 6-1/2"	2
16	C 37920	BOLT - wing	4
17	C 37921	NUT - gauge wheel handle	4
18	C 37505	BREAKER - circuit - 10 amp	1
19	C 37860	COLLAR - set 1"	2
20	C 37824	BEARING - 1"	4
21	C 37922	PIN - "fas-tatch"	1
22	C 38095	PIN - deck	2
23	C 37924	PIN - cotter, hair	2
24	C 37957	SHOE - skid R.H.	1
25	C 37927	SCREW - thumb 1/4" - 20 x 1/2"	4
26	C 37943	SCREW - wing 1/4" - 20 x 1"	1
27	C 37958	WEIGHT - tail, 13 lb.	3

MOWER DRIVE



REF.	PART NO.	DESCRIPTION	REQ'D
1	C 41757	MOUNT - gear box	1
2	C 37875	GUARD - belt	1
3	C 37877	ANGLE - gear box mount	1
4	C 37929	TIGHTENER - belt	1
5	C 37945	HOUSING - spindle	3
6	C 37946	SPACER - spindle	3
7	C 37947	SHAFT - spindle, short	2
8	C 37948	SHAFT - spindle, long	1
9	C 37882	BEARING - spindle	6
10	C 37949	BLADE	3
11	C 37950	PULLEY - spindle	4
12	C 37932	PULLEY - gear box output	1
13	C 37892	PULLEY - gear box input	1
14	C 37933	PULLEY - idler, large	1
15	C 37934	PULLEY - idler, small	1
16	C 38929	BELT - deck	1
17	C 37894	BELT - drive	1
18	C 37898	GEAR BOX - angle drive (see page 21 for service)	1
19	C 37888	WASHER - spacer	12
20	C 37901	BOLT - 1/4" - 20 x 4"	1
21	C 37899	BOLT - 5/16" - 24 x 3/4"	3
22	C 37900	WASHER - 5/16", 10 ga	3
23	C 37886	WASHER - blade	3
24	C 37557	BOLT - 3/8" - 24 x 1-1/4"	3
25	C 37771	KEY - 3/16" x 3/16" x 1"	6
26	C 37937	SPACER - idler pulley	1

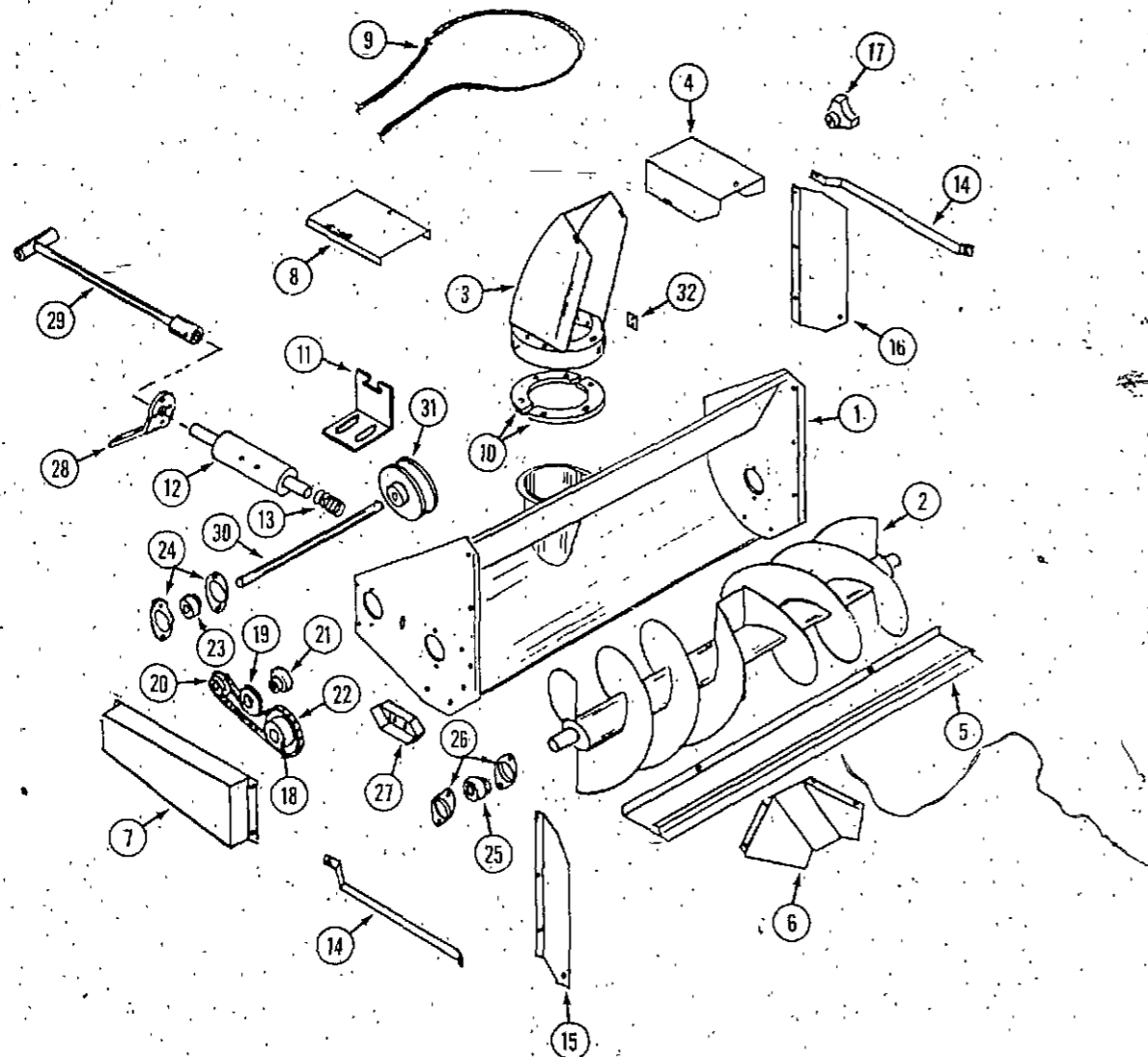


FOR ALL MOWERS

GEAR BOX

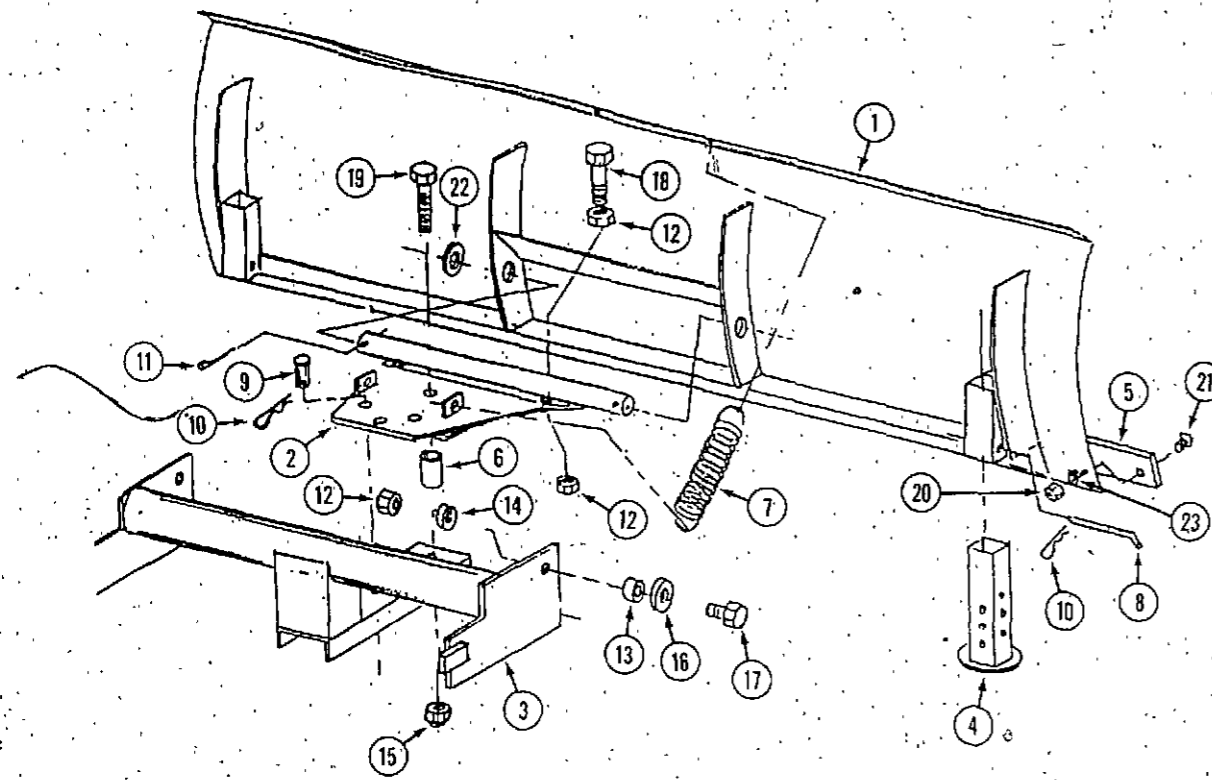
REF.	PART NO.	DESCRIPTION	REQ'D
	C 37898	GEAR BOX	1
1	C 37959	HOUSING - half	2
2	C 37771	KEY - 3/16" x 3/16" x 1"	2
3	C 37960	SHAFT - input	1
4	C 37961	BEARING - ball	1
5	C 37962	BUSHING - pipe 1/4" x 1/8"	1
6	C 37963	RING - retaining	2
7	C 37964	GEAR - output shaft	1
8	C 37965	SHAFT - output	1
9	C 37966	BEARING - ball	3
10	C 37967	LOCKWASHER	6
11	C 37968	CAP SCREW - allen head	6
12	C 37974	FITTING - grease 1/4" NPT	1
13	C 37969	SEAL - shaft	2
14	C 37970	GEAR - input shaft	1
15	C 37971	PLUG - expansion	1
16	C 37541	ELBOW - street 1/8" x 90°	1
17	C 37973	VALVE - relief	1
	C 41853	GREASE - synthetic, cartridge	1

MODEL FCSB51 SNOWBLOWER

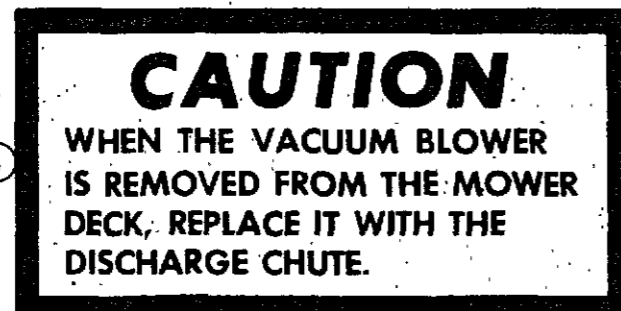


REF.	PART NO.	DESCRIPTION	REQ'D
1	C 39295	HOUSING - auger 51"	1
2	C 39296	AUGER	1
3	C 39306	CHUTE	1
4	C 39298	DEFLECTOR	1
5	C 38939	EDGE - cutting	1
6	C 38579	RETAINER	1
7	C 39299	GUARD - chain	1
8	C 39300	GUARD - belt	1
9	C 39342	CABLE - chute 1/8" x 84"	1
10	C 39307	CLAMP - chute	2
11	C 39048	RETAINER - cable	1
12	C 39309	PULLEY - cable	1
13	C 39340	SPRING	1
14	C 39045	BRACE - extender	2
15	C 39303	EXTENDER - R.H.	1
16	C 39038	EXTENDER - L.H.	1
17	C 39341	NUT - wing	2
18	C 38862	SPROCKET - auger	1
19	C 38973	SPROCKET - idler	1
20	C 38619	SPROCKET - drive	1
21	C 38638	BUSHING - sprocket	1
22	C 38644	CHAIN - drive #40	1
23	C 38961	BEARING - 3/4"	2
24	C 39024	FLANGE - bearing 3/4"	4
25	C 38816	BEARING - 1"	2
26	C 38970	FLANGE - bearing 1"	4
27	C 38891	SHOE - skid	2
28	C 39308	SUPPORT - cable pulley	1
29	C 39310	HANDLE	1
30	C 39305	SHAFT - drive	1
31	C 37932	PULLEY - drive	1
32	C 39311	CLAMP - cable	1

MODEL FCUB54 UTILITY BLADE

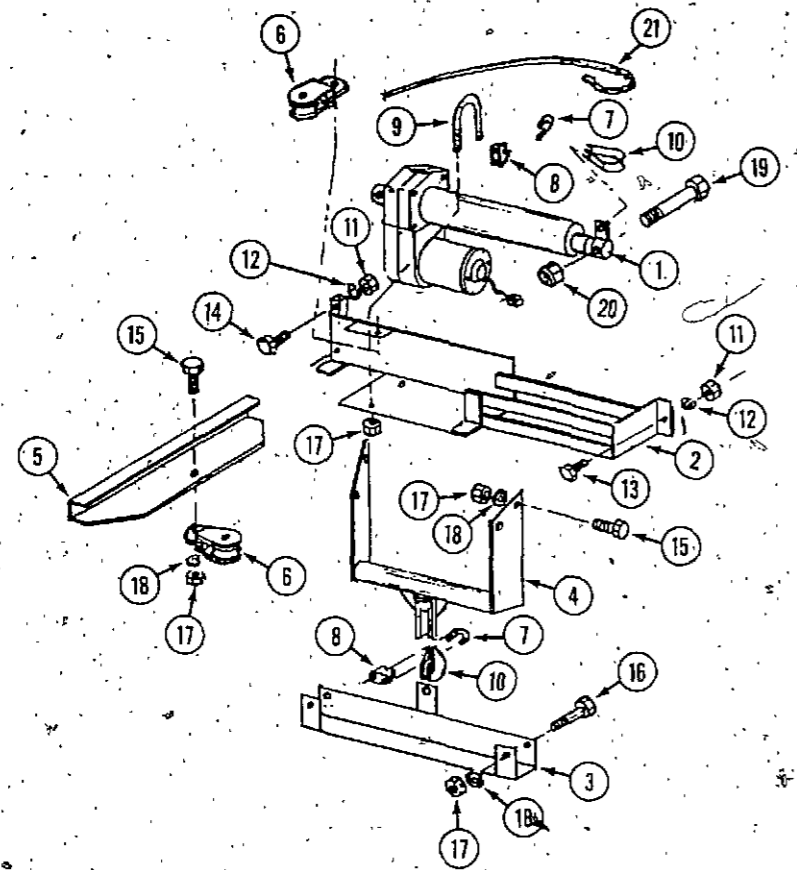


REF.	PART NO.	DESCRIPTION	REQ'D
1	C 39312	BLADE - 54"	1
2	C 39313	MOUNT - pivot	1
3	C 38922	MOUNT - blade	1
4	C 38892	PLATE - skid	2
5	C 38943	EDGE - cutting	1
6	C 38420	BUSHING - pivot	1
7	C 37815	SPRING - trip	2
8	C 38825	PIN - skid plate	2
9	C 38689	PIN - clevis 1/2"	1
10	C 38096	PIN - hair	3
11	132- 91	PIN - cotter 3/16" x 1"	2
12	C 37593	NUT - 1/2" - 13	6
13	C 37576	BUSHING	2
14	C 37590	LOCK WASHER - 1/2"	2
15	C 39396	NUT - 1/2" lock	1
16	C 37589	WASHER - 1/2"	2
17	C 38097	BOLT - 1/2" - 13 x 1-1/2"	2
18	C 37588	BOLT - 1/2" - 13 x 2-1/4"	2
19	C 38682	BOLT - 1/2" - 13 x 3"	1
20	C 37560	NUT - 5/16" - 18	7
21	C 38090	BOLT - carriage 5/16" - 18 x 1"	7
22	C 37999	WASHER - 3/4"	2
23	C 37748	LOCK WASHER - 5/16"	7



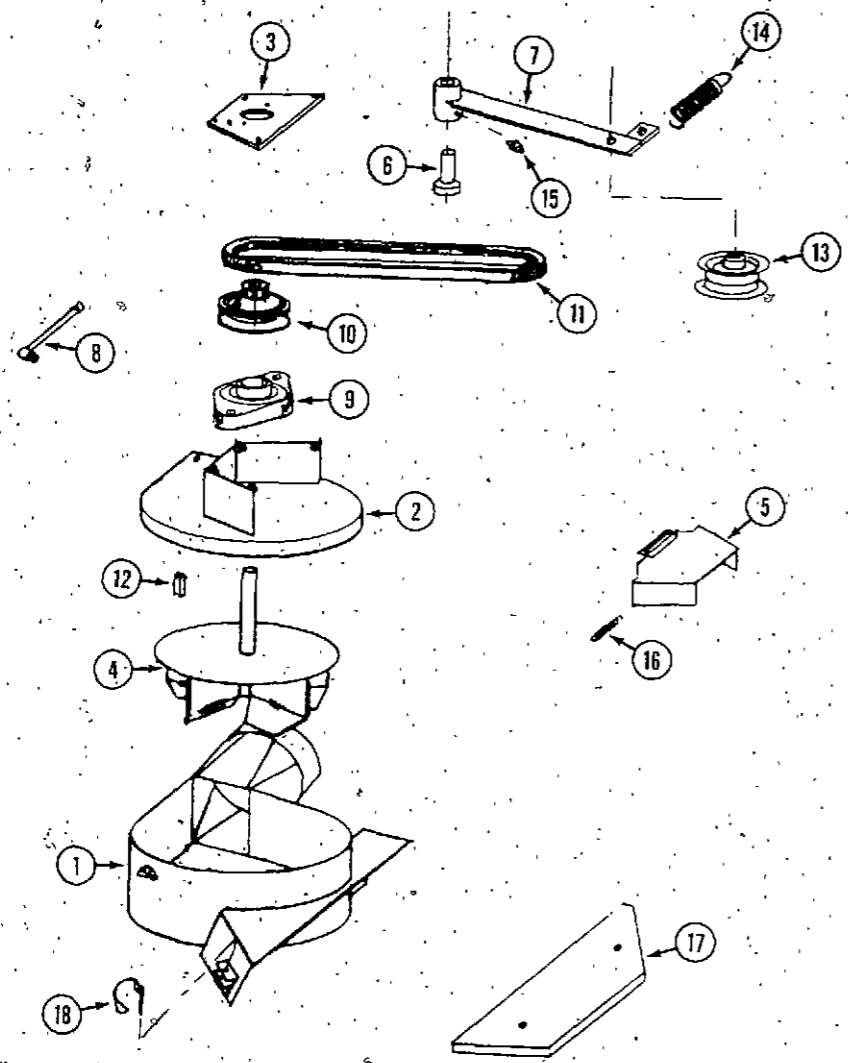
DECALS

REF.	PART NO.	DESCRIPTION	REQ'D
1	C 37491	DECAL - caution (whirling blades) (mowers)	1
2	C 37493	DECAL - caution (grass chute) (mowers)	1
3	C 37494	DECAL - danger (guard) (mowers and vacuum blower)	1
4	C 37492	DECAL - caution (vacuum blower)	1



EDL ELECTRIC DECK LIFT KIT (Optional)

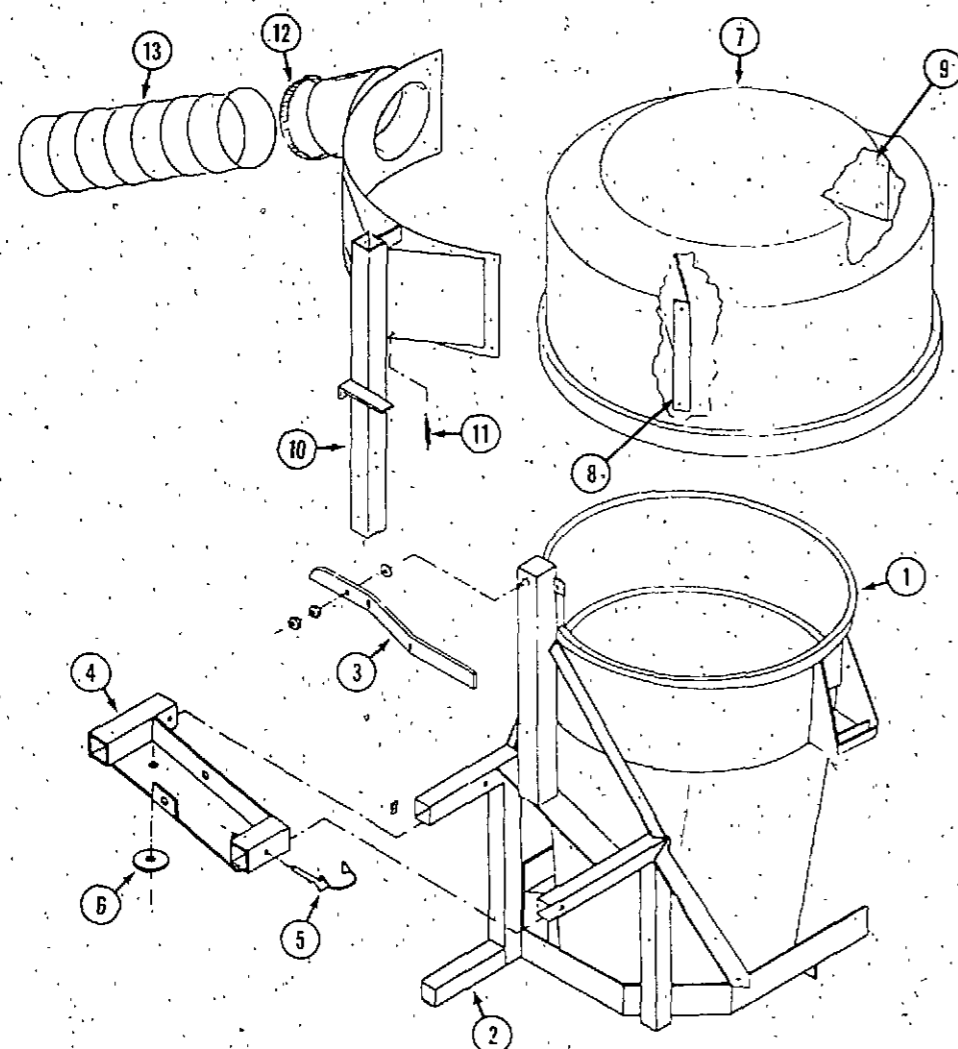
REF.	PART NO.	DESCRIPTION	REQ'D
1	C 37529	ACTUATOR - lift	1
2	C 39023	MOUNT - actuator	1
3	C 39034	ADAPTER - deck lift	1
4	C 39032	NOSE - cable mount	1
5	C 39314	BRACKET - side, cable mount	1
6	C 38824	PULLEY - cable	2
7	C 37616	BOLT - "U"	2
8	C 39338	CLAMP - cable	2
9	C 38096	BOLT - "U"	1
10	C 39339	THIMBLE - cable	2
11	C 37758	NUT - 1/4" - 20	3
12	C 37757	LOCK WASHER - 1/4"	3
13	C 38084	BOLT - 1/4" - 20 x 3/4"	1
14	C 37759	BOLT - 1/4" - 20 x 1"	2
15	C 38085	BOLT - 5/16" - 18 x 1"	4
16	C 37750	BOLT - 5/16" - 18 x 2"	2
17	129- 102	NUT - 5/16" - 18	6
18	C 37748	LOCK WASHER - 5/16"	6
19	C 38615	BOLT - 1/2"	1
20	C 39396	NUT - lock 1/2" - 13	1
21	C 38598	CABLE - lift 64"	1



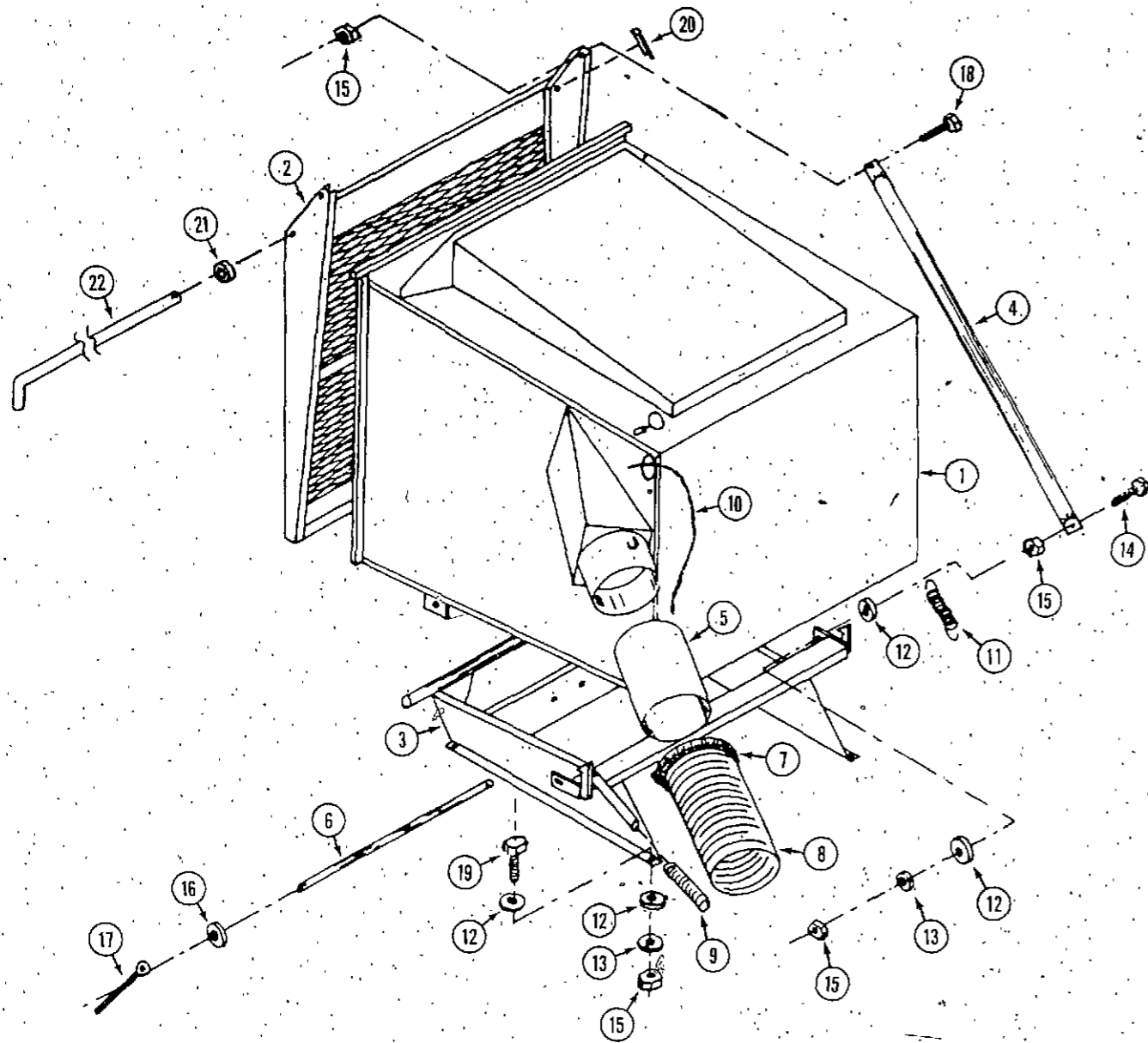
VAC BLOWER

REF.	PART NO.	DESCRIPTION	REQ'D
1	C 38395	HOUSING - (for VB4252)	1
1	C 38396	HOUSING - (for 62" deck) (for VB62)	1
2	C 38397	CAP - blower	1
3	C 38398	PLATE - bearing	1
4	C 38399	BLADE - blower	1
5	C 38400	GUARD - belt	1
6	C 38401	BUSHING - idler arm	1
7	C 38402	ARM - idler	1
8	C 38403	TUBE - lubrication	1
9	C 37773	FLANGE ASSEMBLY - bearing	2
9	C 38404	BEARING - 3/4"	1
10	C 38405	PULLEY - drive	1
11	C 37995	BELT - blower drive (for 42" and 52" decks) (VB4252)	1
11	C 38407	BELT - blower drive (for 62" deck) (for VB62)	1
12	C 37771	KEY - 3/16" x 3/16" x 1"	1
13	C 37706	PULLEY - idler	1
14	C 38408	SPRING - clutch	1
15	C 37993	FITTING - lubrication 1/4" - 28 self-tap	1
16	C 37837	SPRING	1
17	C 38409	WEIGHT - counter (for 42" and 52" decks) (for VB4252)	1
18	C 37922	PIN - "fas-tatch"	1

BARREL COLLECTOR



REF.	PART NO.	DESCRIPTION	REQ'D
1	C 38584	BARREL	1
2	C 38411	MOUNT - barrel	1
3	C 38412	HANDLE	1
4	C 38413	BRACKET - barrel mount	1
5	C 37922	PIN - "fas-tatch"	2
6	C 37581	WASHER - body mount	2
7	C 38414	LID - barrel	1
8	C 38415	DEFLECTOR	1
9	C 38416	SCREEN	1
10	C 38417	MOUNT - lid	1
11	C 38404	SPRING	1
12	C 38418	CLAMP - hose	2
13	C 38419	HOSE	1



GRASS BOX

REF.	PART NO.	DESCRIPTION	REQ'D
1	C 41763	BOX - grass	1
2	C 38426	DOOR	1
3	C 41533	MOUNT - box	1
4	C 38897	LINKAGE - door L.H. (shown)	1
4	C 38898	LINKAGE - door R.H.	1
5	C 38430	TUBE	1
6	C 38431	PIN - pivot	1
7	C 38432	CLAMP - hose	2
8	C 38419	HOSE - 55"	1
9	C 37631	GRIP - handle	2
10	C 38433	ROPE	1
11	C 38434	SPRING	1
12	C 37765	WASHER - 5/16"	12
13	C 37748	LOCK WASHER - 5/16"	8
14	C 38435	BOLT - 5/16" - 18 x 1-1/4"	2
15	129- 102	NUT - 5/16" - 18	8
16	C 38436	WASHER - 7/16"	2
17	C 37594	PIN - cotter 3/16" - 1-1/4"	2
18	C 38085	BOLT - 5/16" - 18 x 1"	4
19	C 38086	BOLT - 5/16" - 18 x 3/4"	4
20	C 37629	PIN - cotter 1/8" x 1"	1
21	C 37735	WASHER - 1/4" x 1"	2
22	C 39299	PIN - door	1

NUMERICAL INDEX

PART NO.	PAGE NO.	REF. NO.	PART NO.	PAGE NO.	REF. NO.
C29029	13	23	C37875	7	41
C29581	15	25	C37875	11	2
C29692	13	22	C37875	15	2
C37491	27	1	C37875	19	2
C37493	27	2	C37877	7	40
C37494	27	3	C37877	11	3
C37505	7	46	C37877	15	3
C37505	9	18	C37877	19	3
C37505	13	18	C37878	11	4
C37505	17	18	C37879	11	5
C37529	29	1	C37880	5	5
C37541	21	16	C37880	11	6
C37557	5	10	C37880	15	5
C37557	11	13	C37881	5	6
C37557	19	24	C37881	11	7
C37560	7	60	C37881	15	6
C37560	25	20	C37882	5	4
C37576	25	13	C37882	11	8
C37581	33	6	C37882	15	9
C37588	25	18	C37882	19	9
C37589	25	16	C37883	5	12
C37590	7	49	C37883	11	9
C37590	25	14	C37883	15	7
C37591	7	63	C37884	11	10
C37592	7	64	C37884	15	8
C37593	7	50	C37885	11	11
C37593	25	12	C37886	5	9
C37594	35	17	C37886	11	12
C37597	7	43	C37886	15	23
C37598	7	44	C37886	19	23
C37598	13	41	C37887	11	14
C37616	29	7	C37887	15	30
C37629	35	20	C37888	5	28
C37631	35	9	C37888	11	15
C37706	31	13	C37888	15	19
C37734	7	68	C37888	19	19
C37735	35	21	C37889	11	16
C37748	7	59	C37890	11	17
C37748	25	23	C37891	11	19
C37748	29	18	C37892	7	37
C37748	35	13	C37892	11	20
C37750	29	16	C37892	15	13
C37756	13	33	C37892	19	13
C37757	7	53	C37894	7	38
C37757	29	12	C37894	11	21
C37758	29	11	C37894	15	17
C37759	29	14	C37894	19	17
C37765	35	12	C37896	11	22
C37771	5	29	C37897	11	23
C37771	11	27	C37898	7	39
C37771	19	25	C37898	11	24
C37771	21	2	C37898	15	18
C37771	31	12	C37898	19	18
C37773	31	9	C37898	21	4
C37815	25	7	C37899	7	67
C37824	5	17	C37899	11	25
C37824	9	20	C37899	19	21
C37824	13	20	C37900	7	45
C37824	17	20	C37900	11	26
C37837	31	16	C37900	15	22
C37860	5	19	C37900	19	22
C37860	9	19	C37901	5	31
C37860	13	19	C37901	11	28
C37860	17	19	C37901	15	20
C37872	5	19	C37901	19	20
C37872	9	9	C37910	5	8
C37872	13	8	C37910	13	8
C37872	17	8	C37910	17	8

PART NO.	PAGE NO.	REF. NO.	PART NO.	PAGE NO.	REF. NO.
C37911	9	9	C37911	9	9
C37911	13	9	C37911	13	9
C37911	17	9	C37911	17	9
C37912	5	22	C37912	5	22
C37912	9	10	C37912	9	10
C37912	13	10	C37912	13	10
C37912	17	10	C37912	17	10
C37913	5	18	C37913	5	18
C37913	9	11	C37913	9	11
C37913	13	11	C37913	13	11
C37913	17	11	C37913	17	11
C37914	5	16	C37914	5	16
C37914	9	12	C37914	9	12
C37914	13	12	C37914	13	12
C37914	17	12	C37914	17	12
C37915	5	14	C37915	5	14
C37915	9	13	C37915	9	13
C37915	13	13	C37915	13	13
C37915	17	13	C37915	17	13
C37916	5	13	C37916	5	13
C37916	9	14	C37916	9	14
C37916	13	14	C37916	13	14
C37916	17	14	C37916	17	14
C37917	5	20	C37917	5	20
C37917	9	16	C37917	9	16
C37917	13	16	C37917	13	16
C37917	17	16	C37917	17	16
C37920	5	21	C37920	5	21
C37920	9	17	C37920	9	17
C37920	13	17	C37920	13	17
C37920	17	17	C37920	17	17
C37921	5	17	C37921	5	17
C37921	9	17	C37921	9	17
C37921	13	17	C37921	13	17
C37921	17	17	C37921	17	17
C37922	5	21	C37922	5	21
C37922	9	21	C37922	9	21
C37922	13	21	C37922	13	21
C37922	17	21	C37922	17	21
C37922	31	18	C37922	31	18
C37922	33	5	C37922	33	5
C37924	5	23	C37924	5	23
C37924	9	23	C37924	9	23
C37924	17	23	C37924	17	23
C37925	5	24	C37925	5	24
C37926	5	25	C37926	5	25
C37927	5	36	C37927	5	36
C37927	7	26	C37927	7	26
C37927	9	24	C37927	9	24
C37927	13	24	C37927	13	24
C37927	17	25	C37927	17	25
C37929	15	4	C37929	15	4
C37929	19	4	C37929	19	4
C37930	5	11	C37930	5	11
C37930	15	10	C37930	15	10
C37931	15	11	C37931	15	11
C37932	15	12	C37932	15	12
C37932	19	12	C37932	19	12
C37932	23	31	C37932	23	31
C37933	15	14	C37933	15	14
C37933	19	14	C37933	19	14
C37933	23	14	C37933	23	14
C37934	15	15	C37934	15	15
C37934	19	15	C37934	19	15
C37935	15	16	C37935	15	16
C37937	5	26	C37937	5	26
C37937	15	26	C37937	15	26
C37937	19	26	C37937	19	26

PART NO.	PAGE NO.	REF. NO.	PART NO.	PAGE NO.	REF. NO.
C37941	5	35	C38096	25	10
C37942	5	2	C38096	29	9
C37942	13	7	C38097	25	17
C37943	13	25	C38395	31	1
C37943	17	26	C38396	31	1
C37945	19	5	C38397	31	2
C37946	19	6	C38398	31	3
C37947	19	7	C38399	31	4
C37948	19	8	C38400	31	5
C37949	19	10	C38401	31	6
C37950	19	11	C38402	31	7
C37957	17	24	C38403	31	8
C37958	17	27	C38404	31	9
C37959	21	1	C38404	33	11
C37960	21	3	C38405	31	10
C37961	21	4	C38407	31	11
C37962	21	5	C38408	31	14
C37963	21	6	C38409	31	17
C37964	21	7	C38411	33	2
C37965	21	7	C38412	33	3
C37965	21	8	C38413	33	4
C37966	21	9	C38414	33	7
C37967	21	10	C38415	33	8
C37968	21	11	C38416	33	9
C37969	21	13	C38417	33	10
C37970	21	14	C38418	33	12
C37971	21	15	C38419	33	13
C37973	21	17	C38419	35	8
C37974	21	12	C38420	25	6
C37993	13	32	C38426	35	2
C37993	31	15	C38430	35	5
C37995	31	11	C38431	35	6
C37999	25	22	C38432	35	7
C38036	11	11	C38433	35	10
C38037	11	29	C38434	35	11
C38042	15	10	C38435	35	14
C38056	5	15	C38436	35	16
C38056	9	15	C38451	9	7
C38056	17	15	C38451	9	7
C38063	9	6	C38579	23	6
C38073	5	3	C38584	33	1
C38074	5	7	C38589	7	47
C38075	5	8	C38598	29	21
C38076	5	23	C38615	29	19
C38077	5	24	C38619	23	20
C38078	5	25	C38638	23	21
C38079	5	27	C38644	23	22
C38080	5	30	C38682	25	19
C38083	7	42	C38689	25	9
C38084	7	51	C38816	23	25
C38084	7	51	C38824	29	6
C38085	29	13	C38825	25	8
C38085	29	15	C38862	23	18
C38085	35	18	C38891	23	27
C38086	7	54	C38892	25	4
C38086	7	54	C38897	35	4
C38087	7	55	C38899	35	4
C38088	7	56	C38922	25	3
C38089	7	57	C38929	19	16
C38090	7	58	C38939	23	5
C38090	25	21	C38943	25	5
C38091	7	61	C38961	23	23
C38092	7	62	C38970	23	26
C38093	7	65	C38973	23	19
C38095	7	66	C39023	29	2
C38095	9	22	C39024	23	24
C38095	17	22	C39032	29	4
C38096	7	48	C39034	29	3

PART NO.	PAGE NO.	REF. NO.	PART NO.	PAGE NO.	REF. NO.
C39045	23	14	C39045	23	14
C39048	23	11	C39048	23	11
C39200	13	6	C39200	13	6
C39203	5	33	C39203	5	33
C39203	13	5	C39203	13	5
C39204	13	4	C39204	13	4
C39205	5	34	C39205	5	34
C39205	15	1	C39205	15	1
C39208	9	2	C39208	9	2
C39209	9	3	C39209	9	3
C39209	13	3	C39209	13	3
C39210	13	1	C39210	13	1
C39295	23	1	C39295	23	1
C39296	23	2	C39296	23	2
C39298	23	4	C39298	23	4
C39299	23	7	C39299	23	7
C39299	35	22	C39299	35	22
C39300	23	8	C39300	23	8
C39303	23	15	C39303	23	15
C39305	23	30	C39305	23	30
C39306	23	3	C39306	23	3
C39307	23	10	C39307	23	10
C39308	23	28	C39308	23	28
C39309	23	12	C39309	23	12
C39310	23	29	C39310	23	29

PART NO.	PAGE NO.	REF. NO.
114- 201	15	24
129- 101	13	28
129- 102	13	35
129- 102	15	39
129- 102	29	17
129- 102	35	15
129- 103	15	31
129- 104	15	29
129- 105	13	37
131- 71	13	29
131- 71	15	34
132- 91	25	11
182- 528	13	40
192- 19	13	27
192- 19	15	41
192- 20	13	34
192- 20	15	37
192- 21	15	32
192- 22	15	28
192- 23	13	36
195- 102	13	31

INGERSOLL
Ingersoll Equipment Co., Inc.