

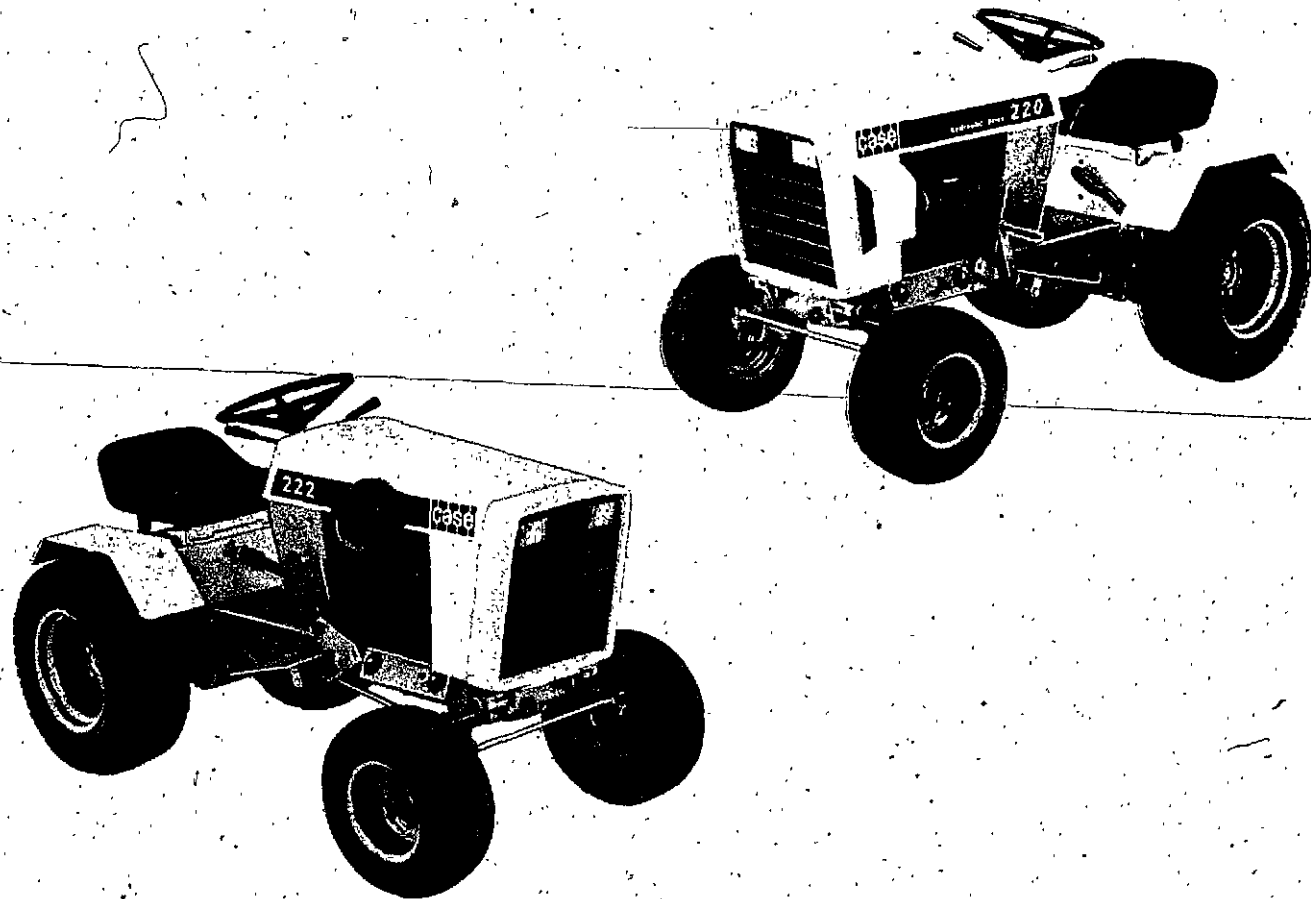
COMPACT TRACTORS

220 - S/N 9702946 TO 9734870
 222 - S/N 9706651 TO 9736998
 224 - S/N 9708665 TO 9738335
 444 - S/N 9711027 TO 9739739

Parts Catalog No. B1322

NOTE: This catalog replaces the Catalog A1322 and all revisions.

12-95-RP-250-600



ALPHABETICAL INDEX

ENGINE SECTION

	Page	Grid		Page	Grid
Air cleaner	5	A6	Filter, Breather	7-9	A8-A10
Battery	67-69	E12-E14	Flywheel	17-21	B4-B8
Belt, Starter-Generator	25	B12	Fuel Pump	25-27	B12-B14
Breaker Contacts	69	E14	Fuel Strainer	25	B12
Breather, Crankcase	7-9	A8-A10	Fuel System	25	B12
Camshaft	7-9	A8-A10	Gasket Kits	23	B10
Carburetor	25-27	B12-B14	Governor	29	C2
Connecting Rod	11-15	A12-B2	Muffler	5	A6
Crankshaft	11-15	A12-B2	Muffler Shields	61	E6
Cylinder Block	17-21	B4-B8	Oil Pan	17-21	B4-B8
Cylinder Head	17-21	B4-B8	Piston	11-15	A12-B2
Electrical System	67-69	E12-E14	Pulley, Clutch	31-35	C4-C8
Engine Block & Attaching Parts	17-21	B4-B8	Spark Plug	67	E12
Exchanger, Heat	53	D12	Starter-Generator	63-65	E8-E10
Exhaust System	5	A6	Tank, Fuel	25	B12
Fan	33	C6	Throttle Linkage	29	C2
			Valves	7-9	A8-A10

BASIC TRACTOR SECTION

	Page	Grid		Page	Grid
Axle, Front	41	C14	Instruments	67	E12
Axle, Rear	49-51	D8-D10	J17 Hydraulic PTO	89	G6
Baffles & Shrouds	25	B12	K19 Flow Control Kit	91	G8
Brakes	45	D4	Model D8, D10 Wheel Weight	75	F6
Control, Speed	59	E4	Model K8, K10 Wheel Weight	77	F8
Decals	71-73	F2-F4	Model H26 Three Point Hitch	81-83	F12-F14
Electrical System	67-69	E12-E14	Model F27 Hitch Adapter	83	F14
Fenders	39	C12	Model H22, J24 Sleeve Hitch	85	G2
Frame	37	C10	Model H13 Weight Box	87	G4
Grille	37	C10	Model H18, K18 Weight Bracket	87	G4
Hitch	47	D6	Model J30 Hydraulic Lift	79	F10
Hood	37	C10	Mounts, Engine	29	C2
Hydraulics	53-59	D12-E4	Mount, Reservoir & Heat Exchanger	61	E6
Coupling, Pump Drive	53-55	D12-D14	Pulley, Clutch	31-35	C4-C8
Hoses, Lines & Fittings	53	D12	Seat, Operator's	39	C12
Motor, Hydraulic Drive	53-59	D12-E4	Steering Wheel & Gear	43	D2
Pump	53-55	D12-E14	Tail Lamp	67	E12
Valve, Control	53-57	D12-E2	Tool Box	39	C12
Linkage, Control Valve	59	E4	Transmission	49-51	D8-D10
Implement Lift Lever	47	D6	Wheels, Front & Rear	45	D4

GENERAL INFORMATION

INDEX

There is an index at the front and rear of this catalog.

The front index is an alphabetical index of the major groups or assemblies.

The rear index is a numerical index of the part numbers and pages on which these numbers are shown.

ILLUSTRATION.

Each illustration in this catalog shows a group of parts or components. These parts and components are aligned approximately as the parts and components on your machine. Each part and component in an illustration has a reference number. These reference numbers are in a list on the page opposite of the illustration. Next to the reference number is the part number, description and required quantity of the part shown in the illustration.

UAR - "Use as required" indicates that the part quantity is variable.

NSS - "Not sold separately" indicates that the part is only available as a component of an assembly or the part must be purchased locally. If the part is an assembly component, the description will be indented under the assembly description in the parts list.

O/L - "Obtain locally"

** - "Footnotes" are added to a part number when more information is needed for identification. They only relate to the part numbers indicated.

PARTS ORDERS

All orders must include the following information:

1. Correct part number.
2. Complete description of part or component.
3. Total quantity of each part or component.
4. Product model number.
5. All necessary product identification numbers.
6. Method for sending the parts.
7. Complete and correct address.

CATALOG REVISIONS

As the product changes, new pages will be available for your catalog. A notice will be issued.

IMPORTANT: Put all revisions into the catalog as soon as possible.

RIGHT HAND AND LEFT HAND IDENTIFICATION

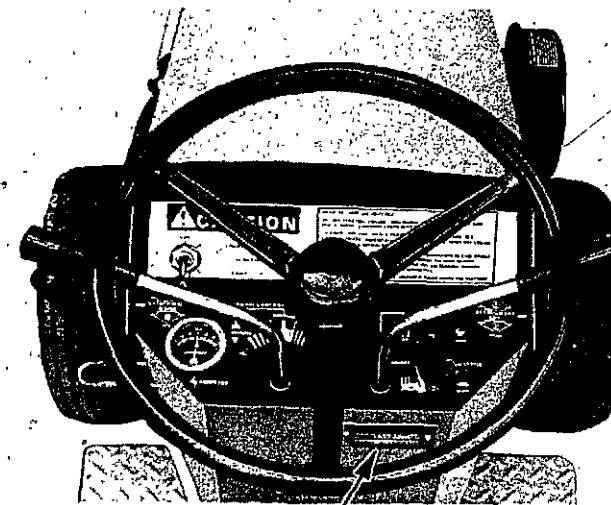
The words right hand (RH) and left hand (LH) as used in this catalog indicate the direction while you are in the operator's seat in the normal operating position.

INDENTED DESCRIPTIONS

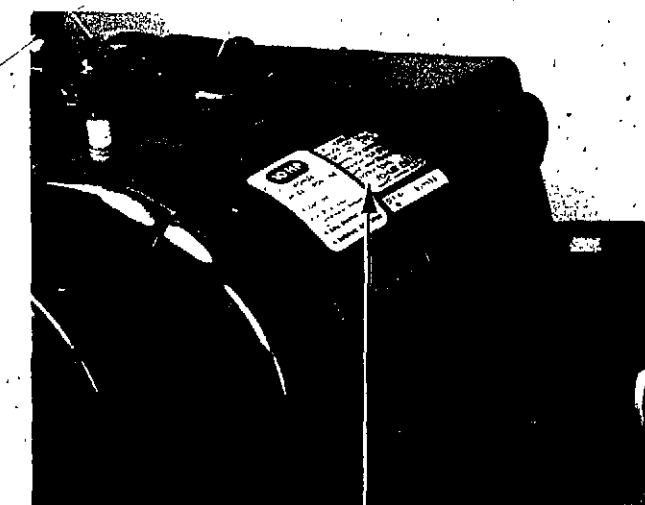
An assembly can have many components. The components of an assembly are indicated by an indented description. The quantity for an indented part is the total needed for that complete assembly. See the example.

REF.	PART NO.	DESCRIPTION	REQ'D
	C 55159	CYLINDER ASSY - rear steering	1
28	C 56208	SOCKET ASSY - rear cylinder	1
29	C 55956	PLUG - adjusting, socket assy	1
30	C 55957	SEAT - socket ball	2
31	C 56210	SPRING - socket	1
32	C 56209	SEAT - socket spring	1
33	G 45175	CLAMP ASSY - socket assy	1
	16- 836	BOLT - 1/2" x 2-1/4" N.F. hex	1
34	132- 104	PIN - cotter, 3/16" x 3"	1
35	C 55889	STUD - ball, socket & cylinder	2
36	13- 410	BOLT - 1/4" x 5/8" N.C., hex	4
37	92- 4	LOCK WASHER - 1/4" SAE	4

CASE 220, 222, 224 AND 444 COMPACT TRACTORS



TRACTOR MODEL AND SERIAL NUMBER



ENGINE MODEL, SERIAL AND SPECIFICATION NUMBER

TRACTOR MODEL DESIGNATIONS	ENGINE MODEL DESIGNATIONS
220 TRACTOR	K-241-A C22857 SPEC. 46736D
222 TRACTOR	K-301-A C22858 SPEC. 47588D
224 TRACTOR	K-321-A C22770 SPEC. 60294D AND PF60313D
444 TRACTOR	K-321-A C22770 SPEC. 60294D AND PF60313D

SERIAL NUMBERS

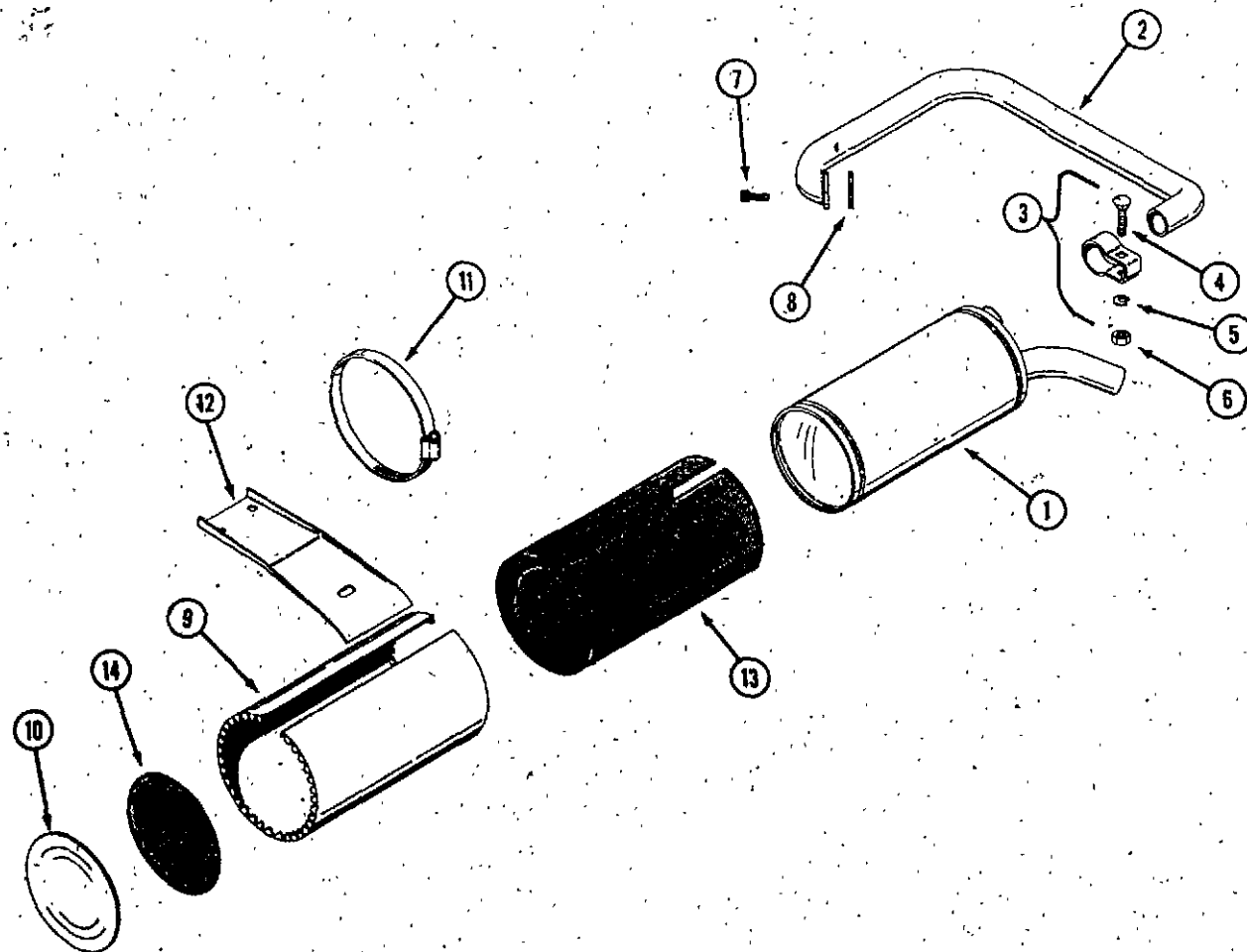
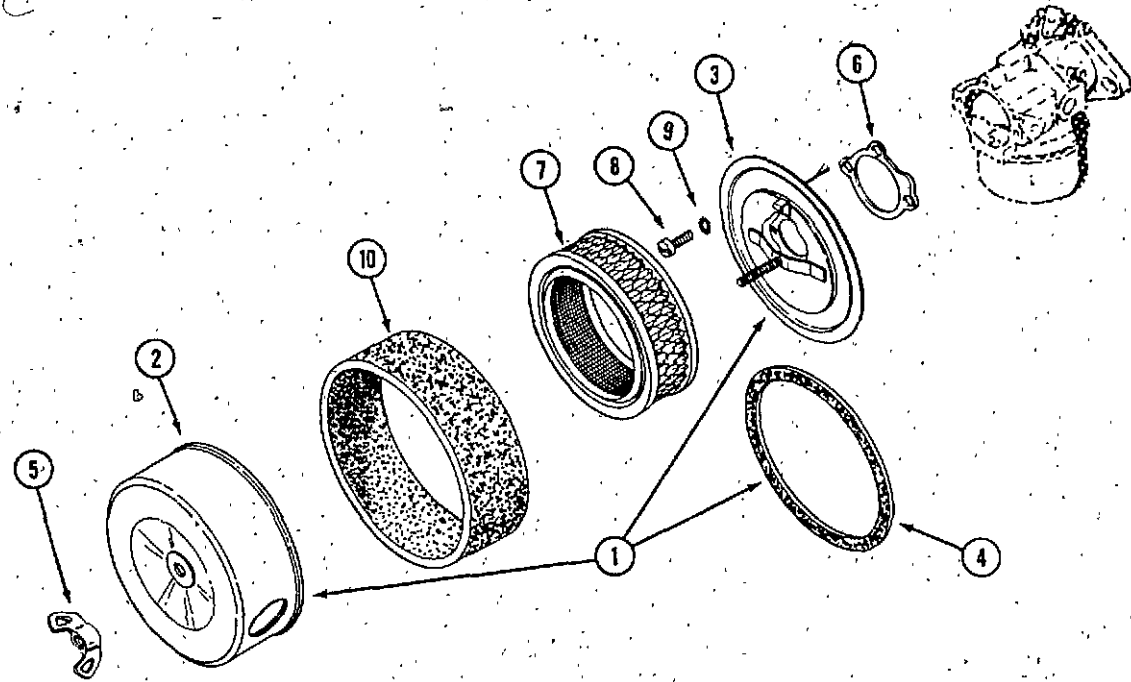
When using this catalog, notice the reference to serial numbers of various components noted here and listed in the "description" copy. By referring to correct serial numbers, proper parts identification will be assured.

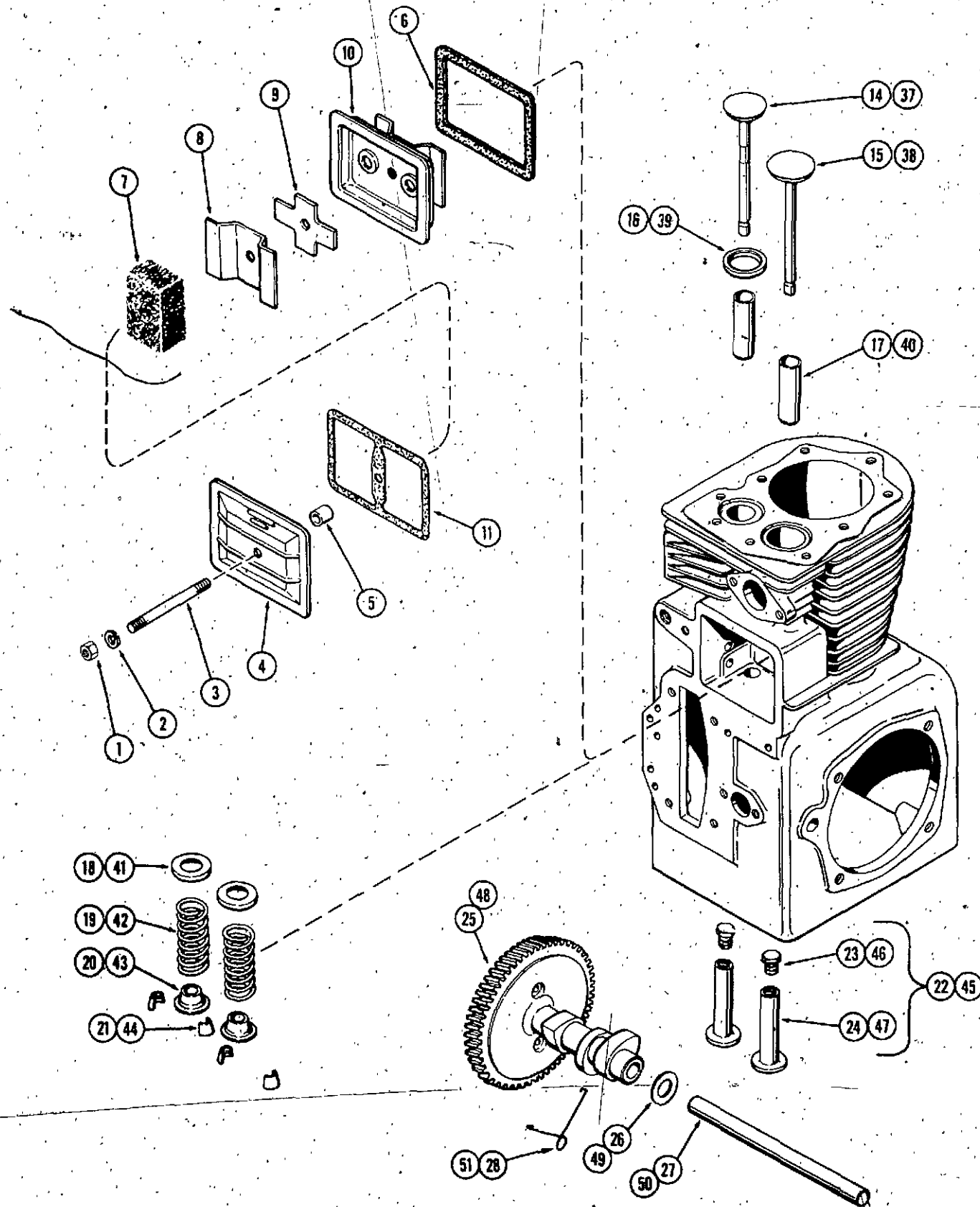
AIR CLEANER

REF.	PART NO.	DESCRIPTION	REQ'D
1	KO 237895	AIR CLEANER ASSEMBLY	1
2	NSS	COVER - air cleaner (order KO237895)	1
3	NSS	BASE - air cleaner (order KO237895)	1
4	KO 237423	GASKET - cover, air cleaner	1
5	C 26703	NUT - wing 1/4" N.C.	1
6	KO 275341	GASKET - air horn	1
7	C 28883	ELEMENT - air cleaner	1
8	177- 94	SCREW - fillister head 10-32 x 5/16"	3
9	193- 6	LOCKWASHER - ext. tooth	3
10	KO 237421	PRE-CLEANER	1

EXHAUST SYSTEM

1	C 26063	MUFFLER ASSEMBLY - exhaust (includes ref. 9, 10, 13 and 14 banded together)	1
2	C 22747	PIPE - engine exhaust	1
3	C 28294	CLAMP ASSEMBLY - muffler	1
4	111- 256	BOLT - 5/16" x 1-1/4" round head NC	1
5	192- 20	LOCKWASHER - 5/16"	1
6	129- 102	NUT - 5/16" N.C. hex	1
7	61- 510	BOLT - 5/16" x 5/8" socket head	2
8	C 10372	GASKET - exhaust	1
9	C 24295	WRAPPER - muffler	1
10	C 22889	COVER - muffler end	1
11	214- 272	CLAMP - muffler and wrapper mounting	3
12	C 22819	BRACKET - muffler mounting	1
13	C 22859	INSULATION - muffler	1
14	C 29290	INSULATION - muffler end	1





220 AND 222 CRANKCASE BREATHER

REF.	PART NO.	DESCRIPTION	REQ'D
1	129- 101	NUT - 1/4" NC hex	1
2	92- 4	LOCKWASHER - 1/4"	1
3	KO 275220	STUD - valve cover	1
4	KO 275143	COVER - valve	1
5	KO 231032	SEAL - breather	1
6	KO 235048	GASKET - breather plate	1
7	KO 235118	FILTER - breather	1
8	KO 235117	BAFFLE - breather	1
9	KO 235047	REED - breather	1
10	KO 235631	PLATE - breather	1
11	KO 275144	GASKET - valve cover	1

220 CAMSHAFT AND VALVES

14	KO 235826	VALVE - exhaust	1
15	KO 235008	VALVE - intake	1
16	KO 230170	INSERT - exhaust valve seat	1
17	KO 235007-S	GUIDE - valve	2
18	KO 235011	SEAT - valve spring	2
19	KO 235168	SPRING - valve	2
20	KO 230011	RETAINER - valve spring	2
21	C 24884	KIT - lock, valve retainer (1 pair)	2
22	KOD 235327	LIFTER ASSEMBLY	2
23	NSS	SCREW - tappet adjusting	1
24	NSS	LIFTER - valve	1
25	C 25043	CAMSHAFT ASSEMBLY	1
26	KO 275066	SPACER - camshaft, .005"	UAR
26	KO 275067	SPACER - camshaft, .010"	UAR
27	C 30487	PIN - camshaft	1
28	C 28680	SPRING - actuating	1

222 CAMSHAFT AND VALVES

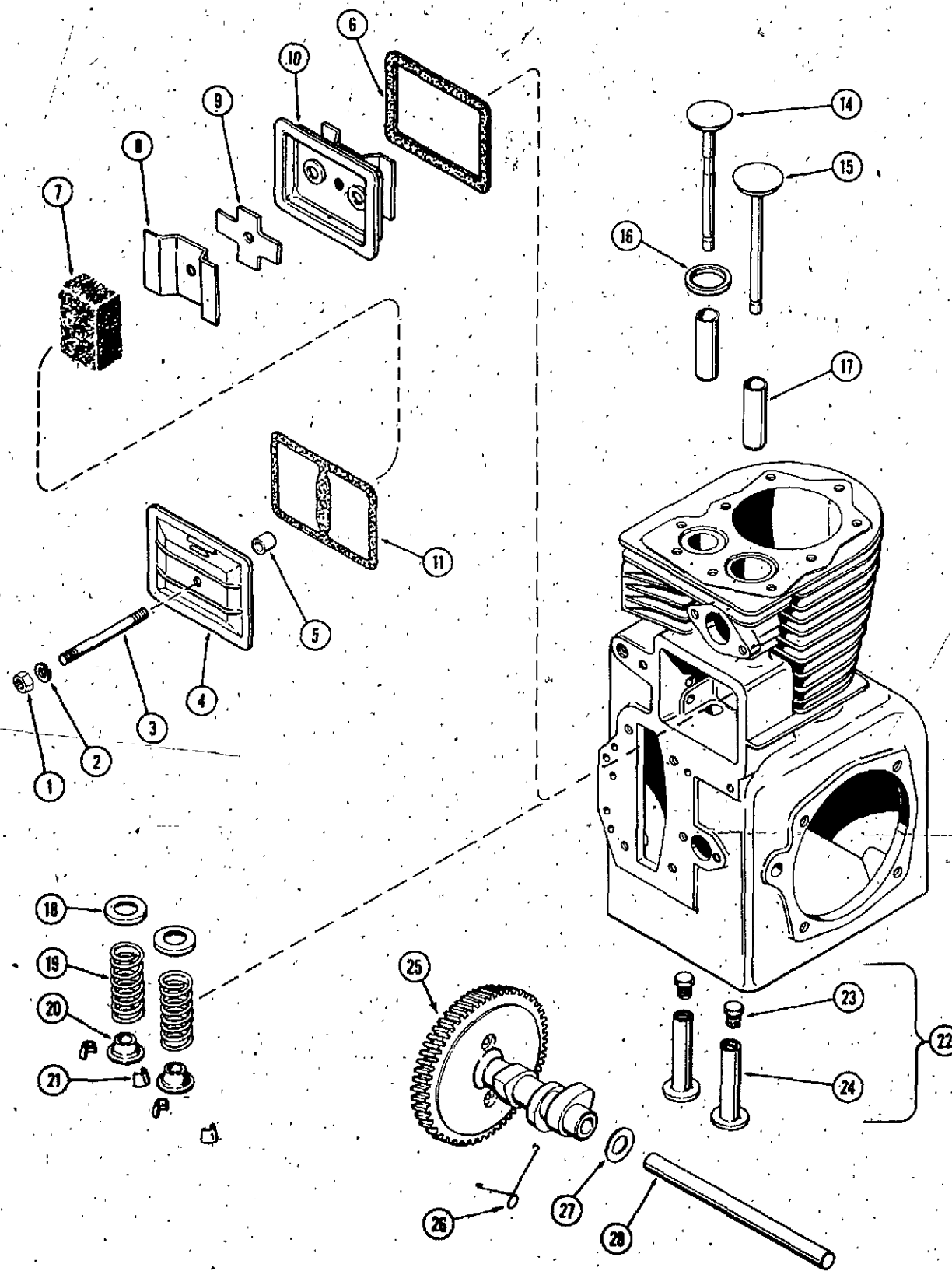
37	KO 235826	VALVE - exhaust	1
38	KO 235008	VALVE - intake	1
39	KO 230170	INSERT - exhaust valve seat	1
40	KO 235007-S	GUIDE - valve	2
41	KO 235011	SEAT - valve spring	2
42	KO 235168	SPRING - valve	2
43	KO 230011	RETAINER - valve spring	2
44	C 24884	KIT - lock, valve retainer (1 pair)	2
45	KOD 235327	LIFTER ASSEMBLY	2
46	NSS	SCREW - tappet adjusting	1
47	NSS	LIFTER - valve	1
48	C 25043	CAMSHAFT ASSEMBLY	1
49	KO 275066	SPACER - camshaft, .005"	UAR
49	KO 275067	SPACER - camshaft, .010"	UAR
50	C 30487	PIN - camshaft	1
51	C 28680	SPRING - actuating	1

224 AND 444 CRANKCASE BREATHER

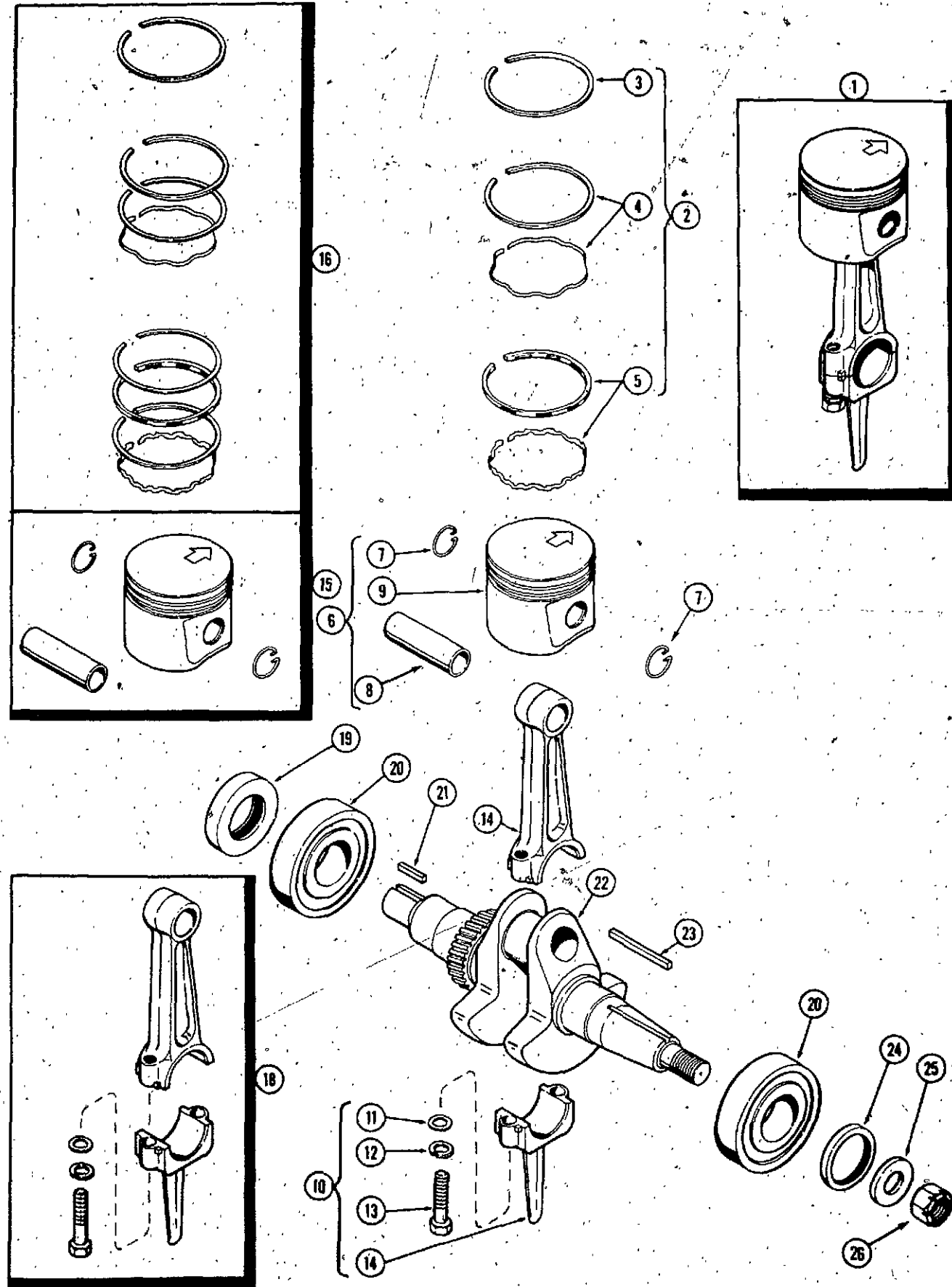
REF.	PART NO.	DESCRIPTION	REQ'D
1	129- 101	NUT - 1/4" NC hex	1
2	92- 4	LOCKWASHER - 1/4"	1
3	KO 275220	STUD - valve cover	1
4	KO 275143	COVER - valve	1
5	KO 231032	SEAL - breather	1
6	KO 235048	GASKET - breather plate	1
7	KO 235118	FILTER - breather	1
8	KO 235117	BÄFFLE - breather	1
9	KO 235047	REED - breather	1
10	KO 235631	PLATE - breather	1
11	KO 275144	GASKET - valve cover	1

224 AND 444 CAMSHAFT AND VALVES

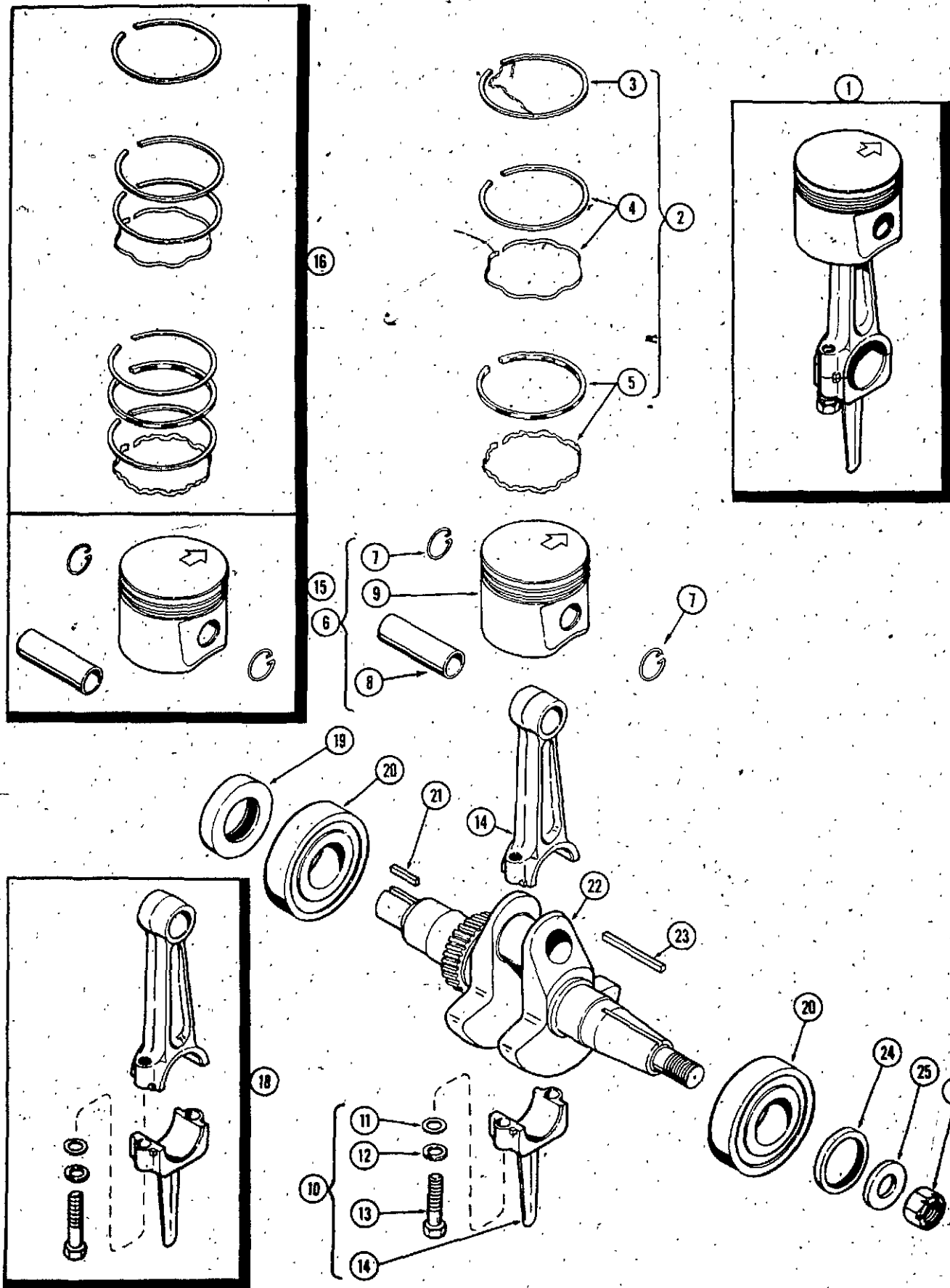
14	KO 237672	VALVE - exhaust	1
15	KO 235582	VALVE - intake	1
16	KO 230170	INSERT - exhaust valve seat	1
17	KO 235007-S	GUIDE - valve	2
18	KO 235011	SEAT - valve spring	2
19	KO 235168	SPRING - valve	2
20	KO 230020	ROTATOR - valve (Furnished in pairs only)	2
21	C 24884	KIT - lock, valve retainer (1 pair)	2
22	KOD 235327	LIFTER ASSEMBLY	2
23	NSS	SCREW - tappet-adjusting	1
24	NSS	LIFTER - valve	1
25	C 25043	CAMSHAFT ASSEMBLY	1
26	C 28680	SPRING - actuating	1
27	KO 275066	SPACER - camshaft, .005"	UAR
27	KO 275067	SPACER - camshaft, .010"	UAR
28	KO 235053	PIN - camshaft	1



220 CRANKSHAFT, PISTON — CONNECTING ROD

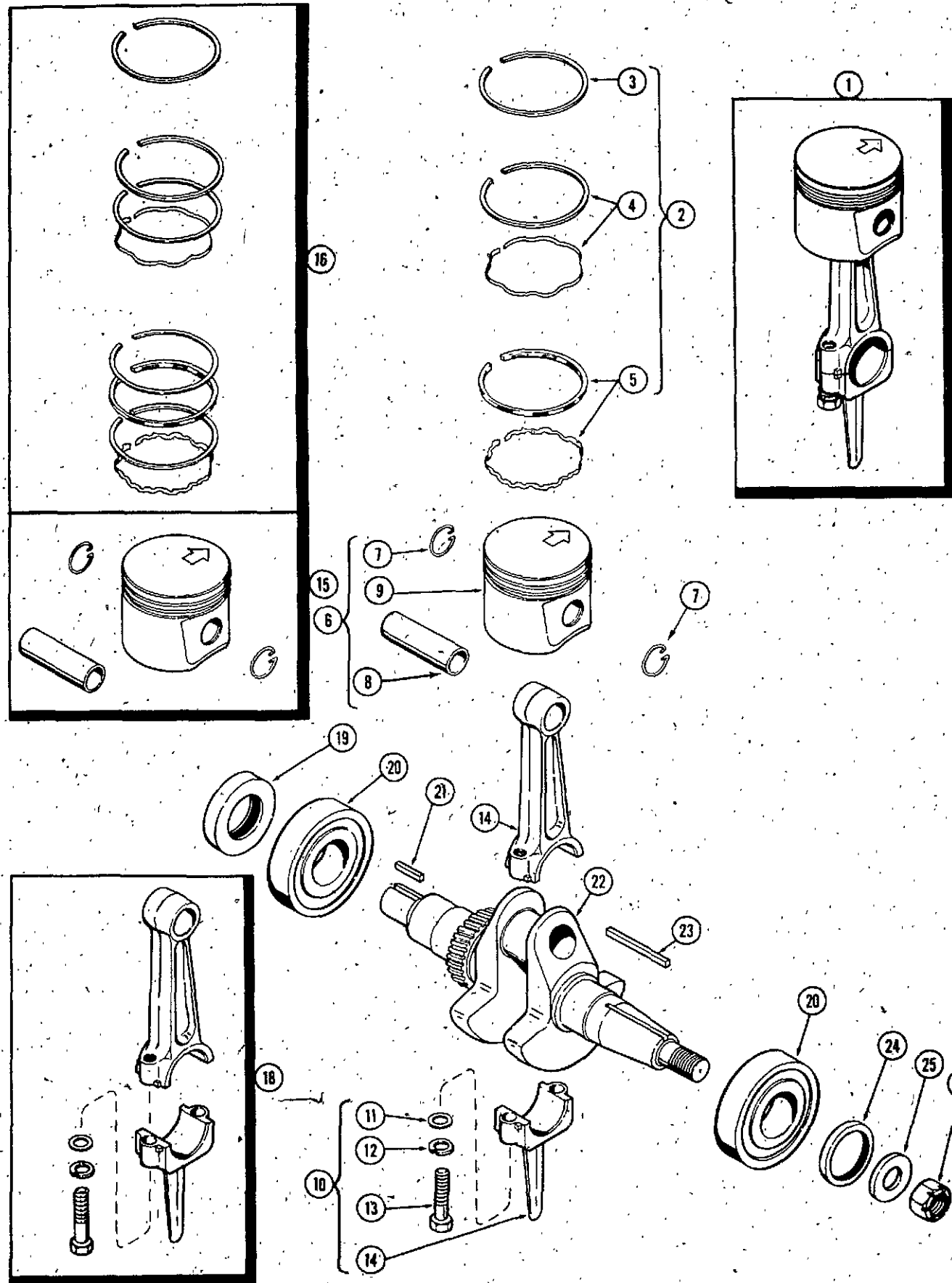


REF.	PART NO.	DESCRIPTION	REQ'D
1	NSS	PISTON AND ROD ASSEMBLY (Std. size)	1
2	KO 235287	RING SET - piston (For oversize, see item 16)	1
3	NSS	RING - top compression	1
4	NSS	RING - 2nd compression (Includes expander)	1
5	NSS	RING - oil (Includes expander)	1
6	C 29516	PISTON ASSEMBLY (For oversize, see item 15) (Includes rings)	1
7	KO 235004	RETAINER - piston pin	2
8	NSS	PIN - piston	1
9	NSS	PISTON	1
10	C 30484	CONNECTING ROD ASSEMBLY (For undersize, see item 18)	1
11	KO 235003	WASHER - special	2
12	92- 6	LOCKWASHER	2
13	C 22698	SCREW - cap connecting rod	2
14	NSS	ROD - connecting	1
15	C 29518	PISTON ASSEMBLY - .010" oversize (Includes rings)	1
15	C 29519	PISTON ASSEMBLY - .020" oversize (Includes rings)	1
15	C 29520	PISTON ASSEMBLY - .030" oversize (Includes rings)	1
15	C 29517	PISTON ASSEMBLY - .003" oversize (Includes rings)	1
16	KO 235288	RING SET - piston .010" oversize	1
16	KO 235289	RING SET - piston .020" oversize	1
16	KO 235290	RING SET - piston .030" oversize	1
18	C 18101	CONNECTING ROD ASSEMBLY - .010" undersize	1
19	C 28678	OIL SEAL - crankshaft rear	1
20	C 28669	BEARING - crankshaft ball	2
21	C 28321	KEY - 1/4" Sq. x 3/4" (Pump Coupling)	1
22	C 29025	CRANKSHAFT	1
23	C 28289	KEY - flat 3/16" x 3/16" x 1-3/8" (Flywheel)	1
24	C 32891	OIL SEAL - crankshaft front	1
25	195- 541	WASHER - 5/8"	1
26	131- 580	NUT - special Marsden 5/8" NF	1



222 CRANKSHAFT, PISTON - CONNECTING ROD

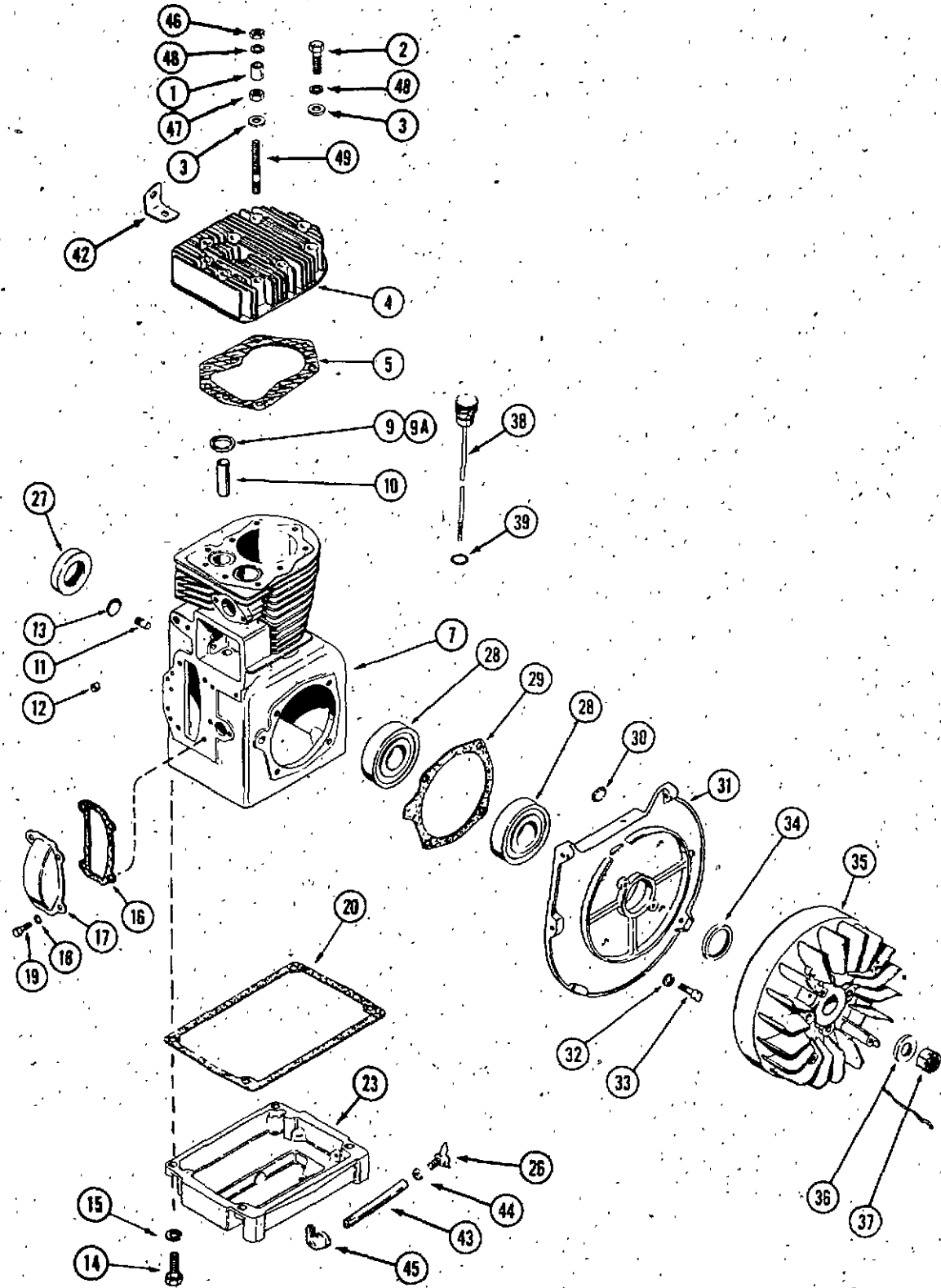
REF.	PART NO.	DESCRIPTION	REQ'D
1	NSS	PISTON AND ROD ASSEMBLY (Std. size)	1
2	KO 235889	RING SET - piston (For oversize, see item 16)	1
3	NSS	RING - top compression	1
4	NSS	RING - 2nd compression (Includes expander)	1
5	NSS	RING - oil (Includes expander)	1
6	C 29521	PISTON ASSEMBLY (For oversize, see item 15) (Includes rings)	1
7	KO 235004	RETAINER - piston pin	2
8	NSS	PIN - piston	1
9	NSS	PISTON	1
10	C 30483	CONNECTING ROD ASSEMBLY (For undersize, see item 18)	1
11	KO 235003	WASHER - special	2
12	92- 6	LOCKWASHER	2
13	C 22698	SCREW - cap connecting rod	2
14	NSS	ROD - connecting	1
15	C 29523	PISTON ASSEMBLY - .010" oversize (Includes rings)	1
15	C 29524	PISTON ASSEMBLY - .020" oversize (Includes rings)	1
15	C 29525	PISTON ASSEMBLY - .030" oversize (Includes rings)	1
15	C 29522	PISTON ASSEMBLY - .003" oversize (Includes rings)	1
16	KO 235890	RING SET - piston .010" oversize	1
16	KO 235891	RING SET - piston .020" oversize	1
16	KO 235892	RING SET - piston .030" oversize	1
18	C 23135	CONNECTING ROD ASSEMBLY - .010" undersize	1
19	C 28678	OIL SEAL - crankshaft rear	1
20	C 28669	BEARING - crankshaft ball	2
21	C 28321	KEY - 1/4" Sp. x 3/4" (Pump Coupling)	1
22	C 29022	CRANKSHAFT	1
23	C 28289	KEY - flat 3/16" x 3/16" x 1-3/8" (Flywheel)	1
24	C 32891	OIL SEAL - crankshaft front	1
25	195- 541	WASHER - 5/8"	1
26	131- 580	NUT - special Marsden 5/8" NF	1



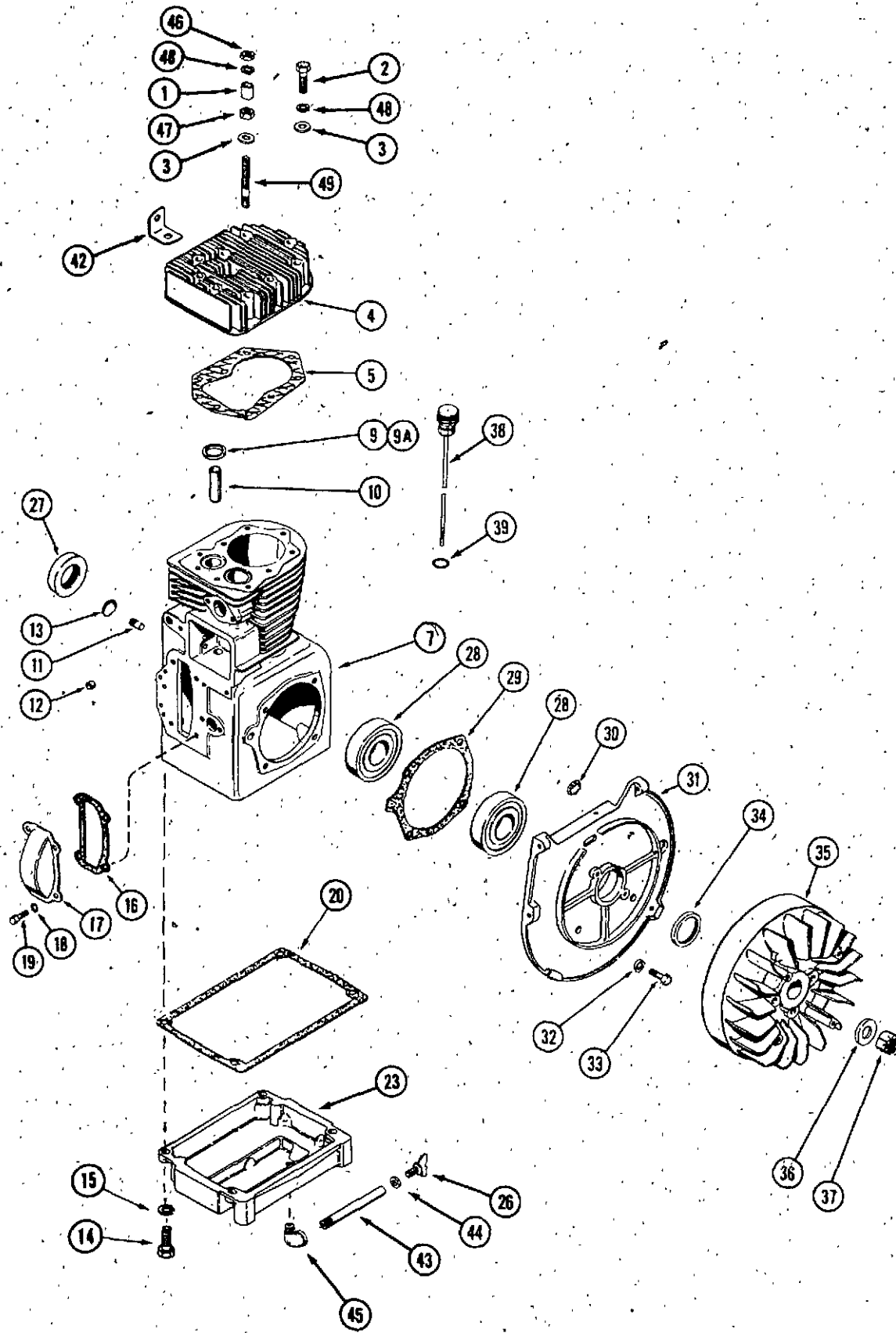
224 AND 444 CRANKSHAFT, PISTON - CONNECTING ROD

REF.	PART NO.	DESCRIPTION	REQ'D
1	NSS	PISTON AND ROD ASSEMBLY (Std. size)	1
2	KO 236763	RING SET - piston (For oversize, see item 16)	1
3	NSS	RING - top compression	1
4	NSS	RING - 2nd compression (Includes expander)	1
5	NSS	RING - oil (Includes expander)	1
6	C 29526	PISTON ASSEMBLY (For oversize, see item 15) (Includes rings)	1
7	KO 235004	RETAINER - piston pin	2
8	NSS	PIN - piston	1
9	NSS	PISTON	1
10	C 30483	CONNECTING ROD ASSEMBLY (For undersize, see item 18)	1
11	KO 235003	WASHER - special	2
12	92- 6	LOCKWASHER	2
13	C 22698	SCREW - cap connecting rod	2
14	NSS	ROD - connecting	1
15	C 29528	PISTON ASSEMBLY - .010" oversize (Includes rings)	1
15	C 29529	PISTON ASSEMBLY - .020" oversize (Includes rings)	1
15	C 29530	PISTON ASSEMBLY - .030" oversize (Includes rings)	1
15	C 29527	PISTON ASSEMBLY - .003" oversize (Includes rings)	1
16	KO 236764	RING SET - piston .010" oversize	1
16	KO 236765	RING SET - piston .020" oversize	1
16	KO 236766	RING SET - piston .030" oversize	1
18	C 23135	CONNECTING ROD ASSEMBLY - .010" undersize	1
19	C 28678	OIL SEAL - crankshaft rear	1
20	C 28669	BEARING - crankshaft ball	2
21	C 28321	KEY - 1/4" Sq. x 3/4" (Pump Coupling)	1
22	C 30504	CRANKSHAFT	1
23	C 28289	KEY - flat 3/16" x 3/16" x 1-3/8" (Flywheel)	1
24	C 32891	OIL SEAL - crankshaft front	1
25	195- 541	WASHER - 5/8"	1
26	131- 580	NUT - special Marsden 5/8" NF	1

220 ENGINE BLOCK AND ATTACHING PARTS



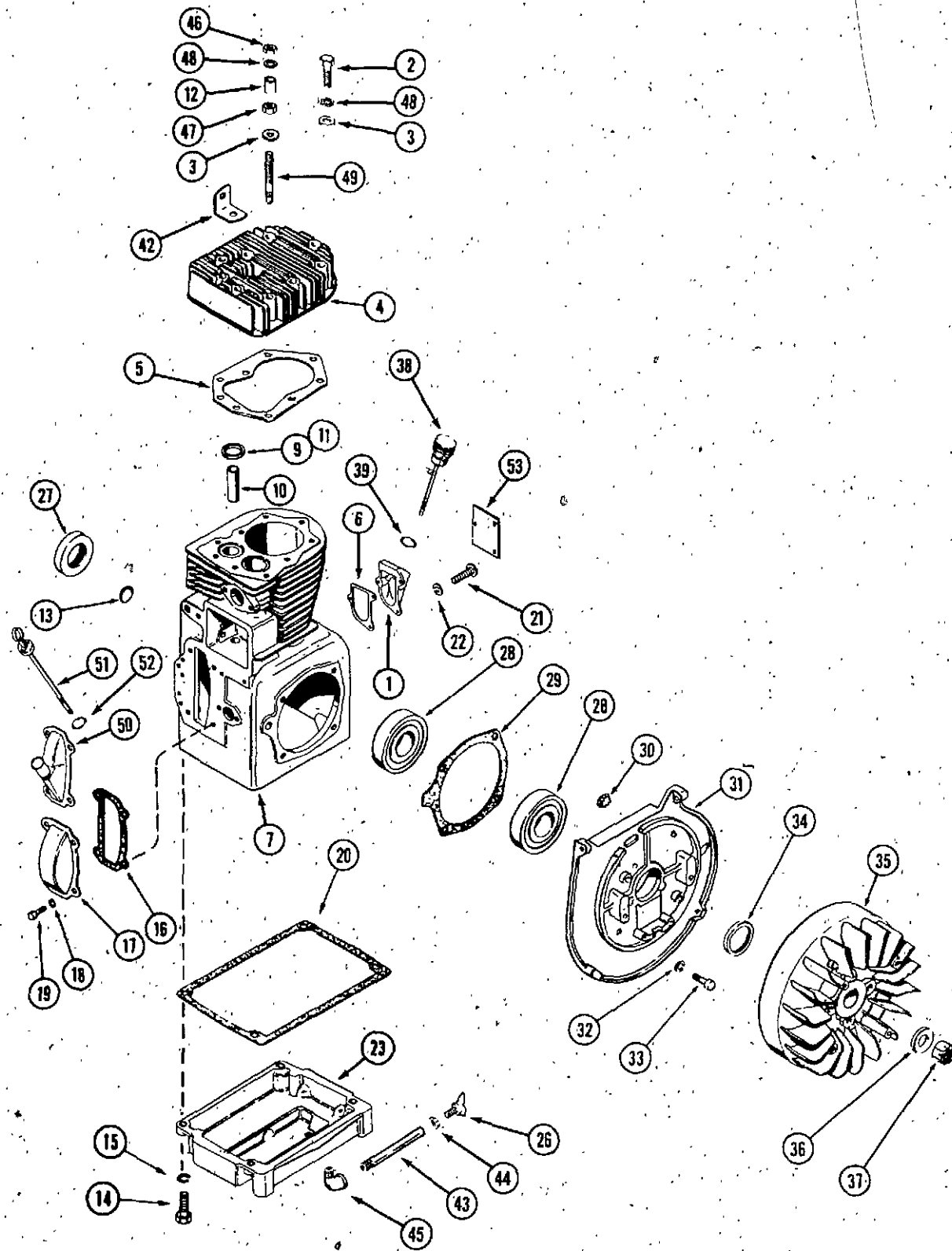
REF.	PART NO.	DESCRIPTION	REQ'D
1	C 21814	SPACER - cylinder head	6
2	KO 270158	BOLT - cylinder head	2
3	KO 270889	WASHER - cylinder head	9
4	KO 236675	HEAD - cylinder	1
5	C 30482	GASKET - head	1
7	C 27283	BLOCK ASSEMBLY - cylinder, short (includes crankshaft, piston assembly, ring set, crankshaft seals, rod assembly, camshaft assembly, valves, bearings, plate and plate gasket, governor gear assembly, cross shaft, and gasket kit)	1
9	KO 230170	INSERT - exhaust valve	1
10	KO 235007-S	GUIDE - valve	2
11	KO 235125-S	SHAFT - stub, governor	1
12	C 28691	BEARING - needle, governor shaft	1
13	O/L	PLUG - expansion - 1-1/8"	1
14	113- 209	BOLT - 3/8" x 1-1/2" NC hex plated	4
15	192- 21	LOCKWASHER - 3/8" plated	4
16	KO 235025	GASKET - camshaft cover	1
17	KO 235026	COVER - camshaft gear	1
18	192- 19	LOCKWASHER - 1/4" plated	4
19	O/L	BOLT - 1/4" x 1/2" NC plated	4
20	KO 235353	GASKET - oil pan	1
23	C 22699	BASE - oil pan	1
26	C 14399	PLUG - oil drain	1
27	C 28678	OIL SEAL - crankshaft rear	1
28	C 28669	BEARING - crankshaft ball	2
29	KO 235757	GASKET - bearing plate	1
29	KO 235070	GASKET - shim, .010	1
30	O/L	PLUG - button, timing hole	UAR
31	C 22700	PLATE - bearing	1
32	192- 21	LOCKWASHER - 3/8" plated	4
33	113- 207	BOLT - 3/8" x 1" NC plated	4
34	C 32891	OIL SEAL - crankshaft front	1
35	KO 235818	FLYWHEEL	1
36	195- 541	WASHER - special, plated	1
37	131- 580	NUT - special, Marsden -5/8"	1
38	C 30868	DIPSTICK ASSEMBLY	1
39	C 28217	"O" RING - dipstick	1
42	KO 235748	STRAP - lifting	1
43	C 18814	NIPPLE - oil drain extension	1
44	C 14906	GASKET - plug, oil drain	1
45	221- 1412	ELBOW - street	1
46	129- 143	NUT - 3/8" NC hex. jam	6
47	129- 103	NUT - 3/8" NC hex.	6
48	192- 21	LOCKWASHER - 3/8"	9
49	KO 237277	STUD - cylinder head	7



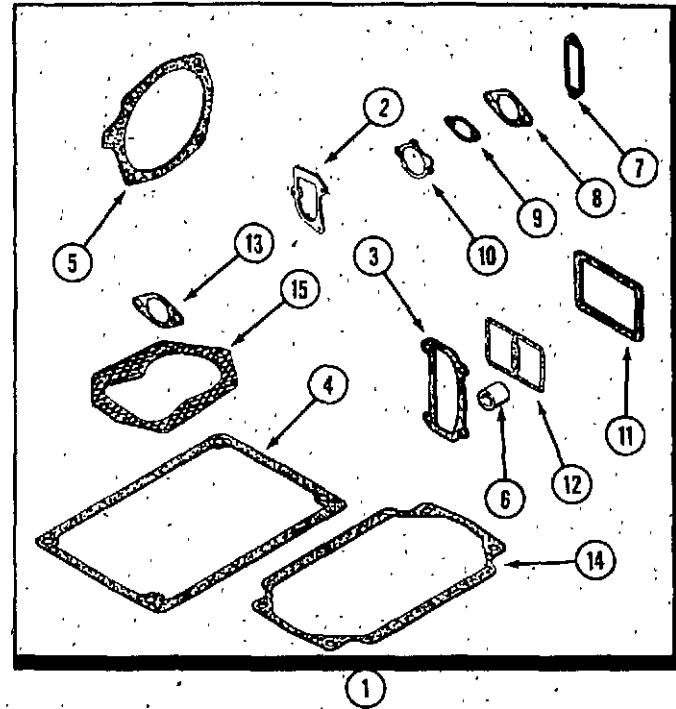
222 ENGINE BLOCK AND ATTACHING PARTS

REF.	PART NO.	DESCRIPTION	REQ'D
1	C 21814	SPACER - cylinder head	6
2	KO 270158	BOLT - cylinder head	2
3	KO 270889	WASHER - cylinder head	9
4	KO 237670	HEAD - cylinder	1
5	C 30482	GASKET - head	1
7	C 24141	BLOCK ASSEMBLY - cylinder, short (Includes crankshaft, piston assembly, ring set, crankshaft seals, rod assembly, camshaft assembly, valves, bearings, plate and plate gasket, governor gear assembly, cross shaft, and gasket kit)	1
9	KO 230170	INSERT - exhaust valve	1
9A	KO 230265	INSERT - intake valve seat	1
10	KO 235007S	GUIDE - valve	2
11	KO 235125S	SHAFT - stub, governor	1
12	C 28691	BEARING - needle, governor shaft	1
13	O/L	PLUG - expansion - 1-1/8"	1
14	113- 209	BOLT - 3/8" x 1-1/2" NC hex plated	4
15	192- 21	LOCKWASHER - 3/8" plated	4
16	KO 235025	GASKET - camshaft cover	1
17	KO 235026	COVER - camshaft gear	1
18	192- 19	LOCKWASHER - 1/4" plated	4
19	O/L	BOLT - 1/4" x 1/2" NC plated	4
20	KO 235353	GASKET - oil pan	1
23	C 22699	BASE - oil pan	1
24	192- 21	LOCKWASHER - 3/8" plated	4
25	61- 616	BOLT - 3/8" x 1" NC socket head	4
26	C 14399	PLUG - oil drain	1
27	C 28678	OIL SEAL - crankshaft rear	1
28	C 28669	BEARING - crankshaft ball	2
29	KO 235757	GASKET - bearing plate	6
29	KO 235070	GASKET - shim, .010	UAR
30	O/L	PLUG - button, timing hole	1
31	C 22700	PLATE - bearing	1
32	192- 21	LOCKWASHER - 3/8" plated	4
33	113- 207	BOLT - 3/8" x 1" NC plated	4
34	C 32891	OIL SEAL - crankshaft front	1
35	KO 235818	FLYWHEEL	1
36	195- 541	WASHER - special, plated	1
37	131- 580	NUT - special, Marsden -5/8"	1
38	C 30868	DIPSTICK ASSEMBLY	1
39	C 28217	"O" RING - dipstick	1
42	KO 235748	STRAP - lifting	1
43	C 18814	NIPPLE - oil drain extension	1
44	C 14906	GASKET - plug, oil drain	1
45	221- 1412	ELBOW - street	1
46	129- 143	NUT - 3/8" NC hex, jam	6
47	129- 103	NUT - 3/8" NC hex	6
48	192- 21	LOCKWASHER - 3/8"	9
49	KO 237277	STUD - cylinder head	7

224 AND 444 ENGINE BLOCK AND ATTACHING PARTS

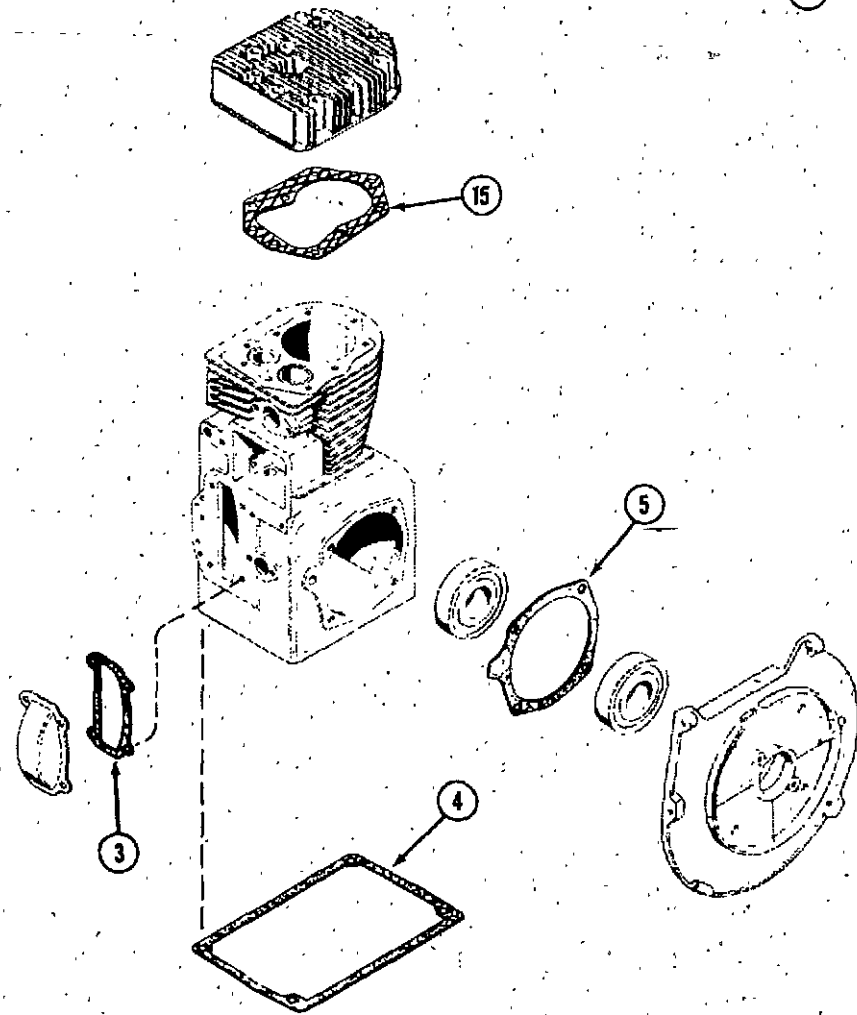


REF.	PART NO.	DESCRIPTION	REQ'D
1	KO 236886	FILLER TUBE - (use before engine Spec. PF60313D)	1
2	KO 270158	BOLT - cylinder head special 3/8" x 1-1/2" NC hex	2
3	KO 270889	WASHER - cylinder head bolt	9
4	KO 237670	HEAD - cylinder	1
5	C 30482	GASKET - head	1
6	KO 237064	GASKET - filler tube	1
7	C 30506	BLOCK ASSEMBLY - cylinder, short (Includes crankshaft and seals, ring set, piston assembly, rod assembly, camshaft assembly, valves, bearings, plate and plate gasket, governor gear assembly, cross shaft, and gasket kit)	1
9	KO 230170	INSERT - exhaust valve	1
10	KO 235007-S	GUIDE - valve	2
11	KO 230265	INSERT - intake valve	1
12	C 21814	SPACER - cylinder head	1
13	O/L	PLUG - expansion - 1-1/8"	1
14	113- 209	BOLT - 3/8" x 1-1/2" NC hex plated	4
15	192- 21	LOCKWASHER - 3/8" plated	4
16	KO 235025	GASKET - camshaft cover	1
17	KO 235026	COVER - camshaft gear	1
18	192- 19	LOCKWASHER - 1/4" plated	4
19	O/L	BOLT - 1/4" x 1/2" NC plated	4
20	KO 235353	GASKET - oil pan	1
21	173- 96	SCREW - #10 x 7/16" round head machine	3
22	193- 26	LOCKWASHER - #10 internal tooth	7
23	C 22699	BASE - oil pan	1
26	C 14399	PLUG - oil drain	1
27	C 28678	OIL SEAL - crankshaft rear	1
28	C 28669	BEARING - crankshaft ball	2
29	KO 235757	GASKET - bearing plate	6
29	KO 235070	GASKET - shim, .010	UAR
30	O/L	PLUG - button, timing hole	1
31	C 22700	PLATE - bearing	1
32	192- 21	LOCKWASHER - 3/8" plated	4
33	113- 207	BOLT - 3/8" x 1" NC plated	4
34	C 32891	OIL SEAL - crankshaft front	1
35	KO 235818	FLYWHEEL	1
36	195- 541	WASHER - special, plated	1
37	131- 580	NUT - special, Marsden -5/8"	1
38	C 30868	DIPSTICK ASSEMBLY	1
39	C 28217	"O" RING - dipstick	1
42	KO 235748	STRAP - lifting	1
43	C 18814	NIPPLE - oil drain extension	1
44	C 14906	GASKET - plug, oil drain	1
45	221- 1412	ELBOW - street	1
46	129- 143	NUT - 3/8" NC hex, jam	6
47	129- 103	NUT - 3/8" NC hex	6
48	192- 21	LOCKWASHER - 3/8"	9
49	KO 237277	STUD - cylinder head	7
50	C 24490	FILLER TUBE - (use engine Spec. PF60313D and after)	1
51	C 24491	DIPSTICK - (use engine Spec. PF60313D and after)	1
52	C 28217	O-RING - dipstick (use engine Spec. PF60313D and after)	1
53	C 24495	PLATE - oil fill pad (use engine Spec. PF60313D and after)	1



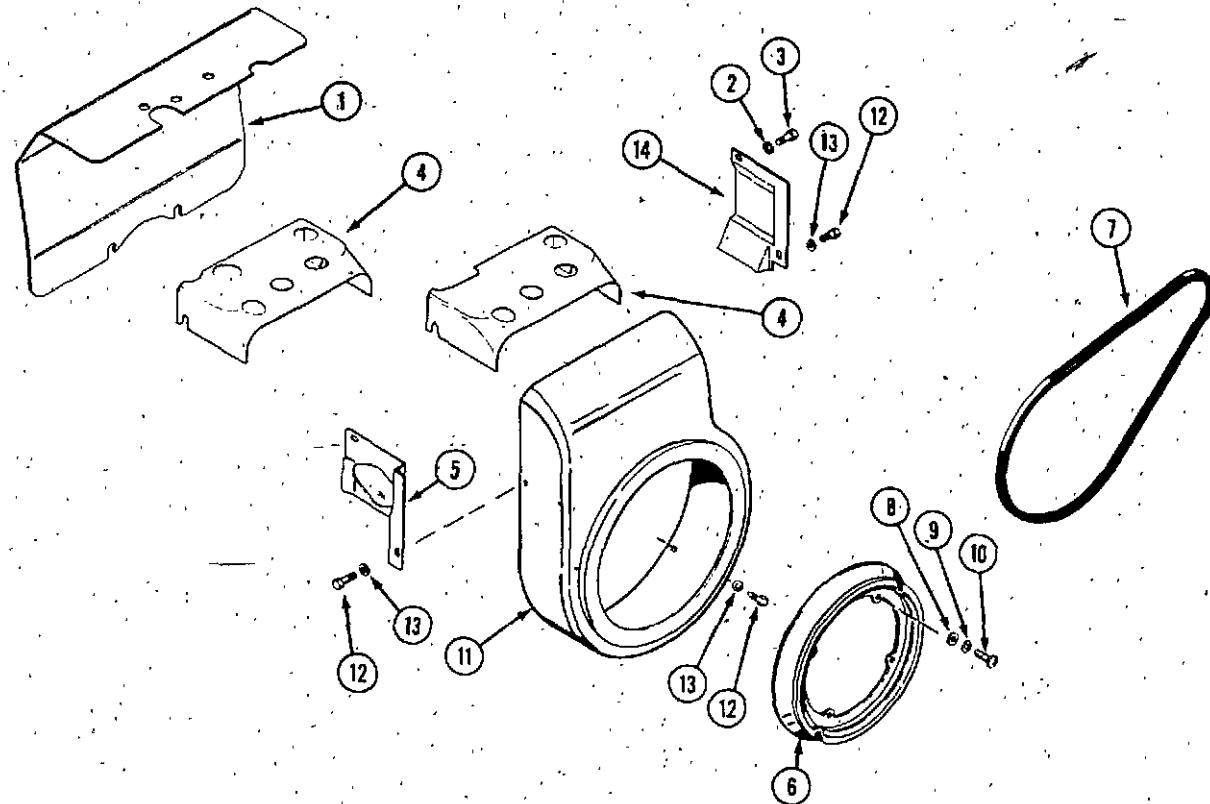
ENGINE GASKET AND SEAL KIT

REF.	PART NO.	DESCRIPTION	REQ'D
1	C 29737	KIT - engine gasket (10 thru 14 hp engines)	1
2	KO 237064	GASKET - oil fill tube (used on 14 hp)	1
3	KO 235025	GASKET - camshaft cover	1
4	KO 235353	GASKET - oil pan	1
5	KO 235757	GASKET - bearing plate	6
5	KO 235070	GASKET - shim (.010")	UAR
6	KO 231032	SEAL - breather (14 hp engine)	1
7	C 26518	GASKET - breaker cover	1
8	C 23860	GASKET - carburetor flange	1
9	C 24887	GASKET - fuel pump flange	1
10	KO 275341	GASKET - carburetor air horn	1
11	KO 235048	GASKET - breather plate	1
12	KO 275144	GASKET - valve cover	1
13	C 10372	GASKET - exhaust	1
14	KO 235057	GASKET - pan (not used)	1
15	C 30482	GASKET - cylinder head	1



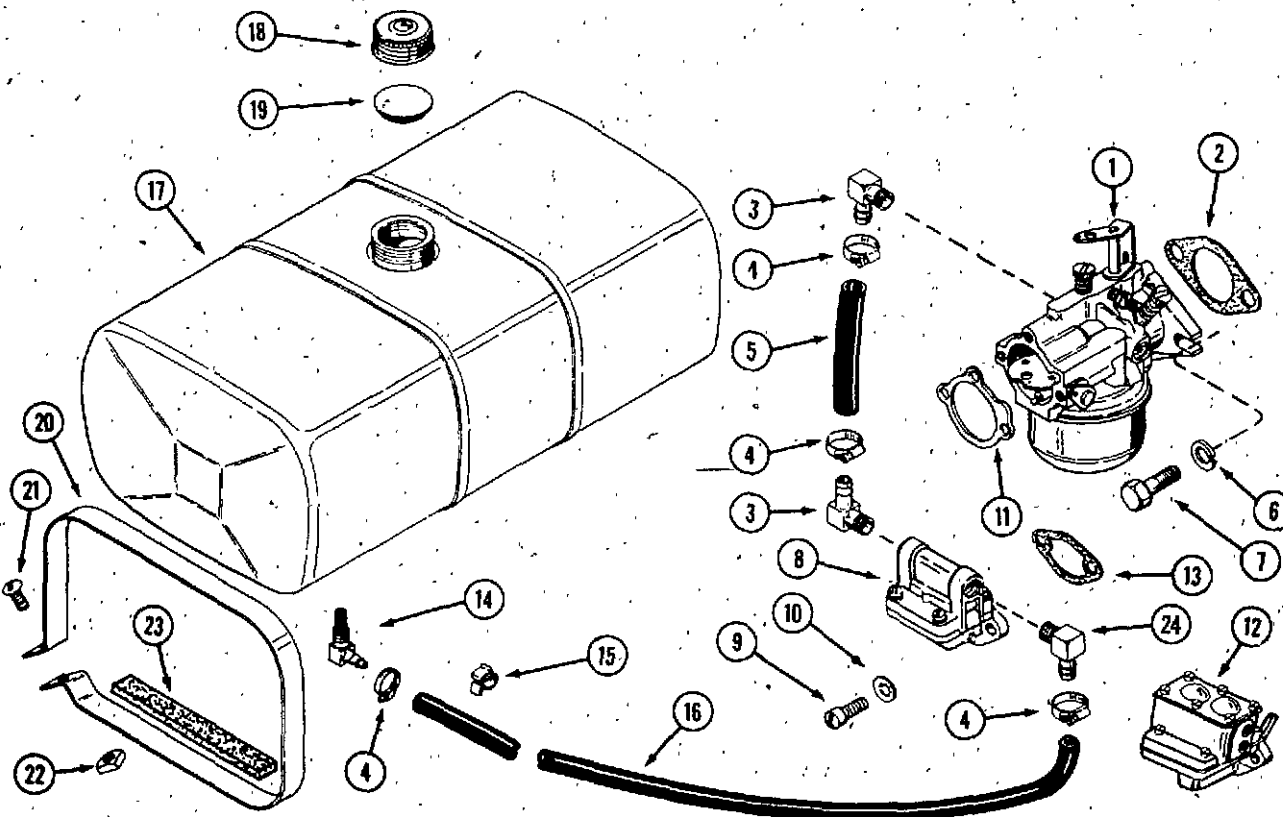
BAFFLES AND SHROUDS

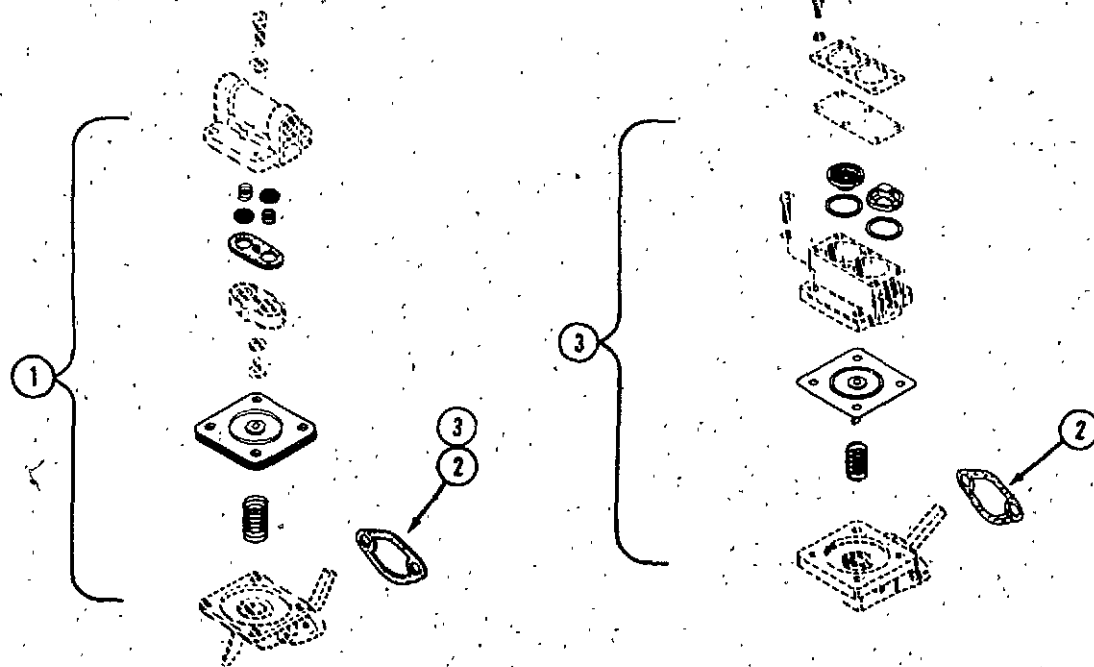
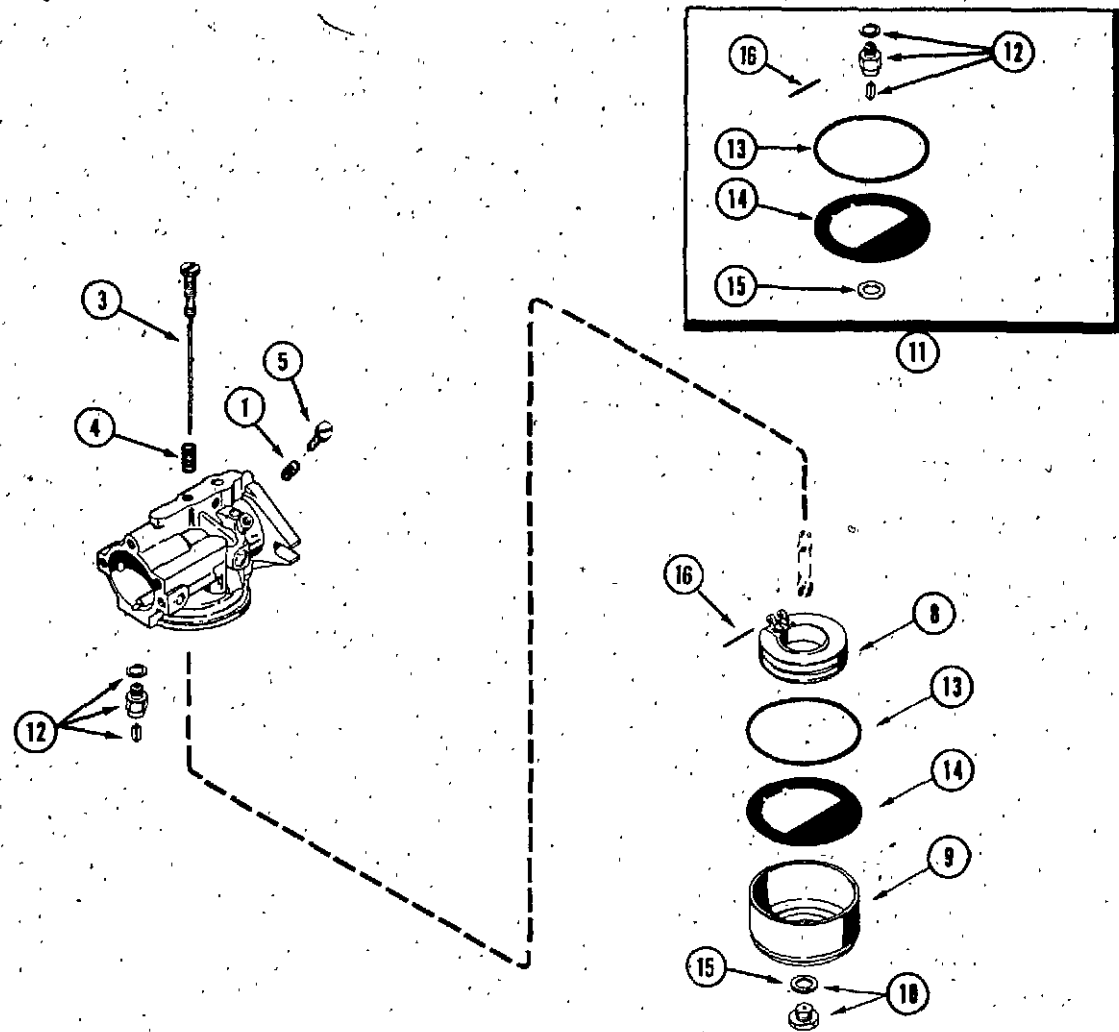
REF.	PART NO.	DESCRIPTION	REQ'D
1	C 26985	DEFLECTOR - engine air	1
2	192- 19	LOCKWASHER - 1/4" zinc plated	2
3	O/L	BOLT - 1/4" x 1/2" NC hex, zinc plated	2
4	KO 237520	BAFFLE - cylinder head (10 hp engine)	1
4	KO 237677	BAFFLE - cylinder head (12 - 14 hp engine)	1
5	KO 235652	BAFFLE - carburetor side air	1
6	KO 235207	PULLEY - starter	1
7	C 14345	BELT - drive, starter - generator	1
8	195- 518	WASHER - 1/4" zinc plated	4
9	192- 19	LOCKWASHER - 1/4" zinc plated	4
10	O/L	SCREW - 1/4" x 5/8" NC truss head Phillips, zinc plated	4
11	C 24729	HOUSING - blower	1
12	113- 3	BOLT - 1/4" x 3/4" NC hex, zinc plated	4
13	192- 19	LOCKWASHER - 1/4" zinc plated	4
14	C 23171	BAFFLE - cylinder	1



FUEL SYSTEM

1	NSS	CARBURETOR ASSEMBLY - 444 & 224 (Repairs page 27) (use C33214)	1
1	NSS	CARBURETOR ASSEMBLY - 220 & 222 (Repairs page 27) (use C33213)	1
2	C 23860	GASKET - carburetor flange	1
3	C 10678	ELBOW - fuel pump and carburetor	2
4	214- 103	CLAMP - hose 1/2"	4
5	C 28937	HOSE - carburetor 5-1/4"	1
6	192- 20	LOCKWASHER - 5/16"	2
7	113- 103	BOLT - 5/16" x 1" NC hex	2
8	NSS	PUMP - fuel, 10 h.p. models (Repairs page 27) (use C24851)	1
9	O/L	SCREW - 1/4" x 3/4" NC fillister head	2
10	192- 19	LOCKWASHER - 1/4"	2
11	KO 275341	GASKET - air horn	1
12	NSS	PUMP - fuel, 12 and 14 h.p. models (Repairs page 27) (use C24851)	1
13	C 24887	GASKET - fuel pump mounting, all models	1
14	C 10657	ELBOW ASSEMBLY - fuel tank	1
15	C 28962	CLIP - fuel line	2
16	C 28937	HOSE - fuel line 38-1/2"	1
17	C 16363	TANK - fuel	1
18	C 11529	CAP - fuel tank (Includes insert)	1
19	NSS	INSERT - fuel cap	1
20	C 16796	STRAP - fuel tank mounting	2
21	O/L	SCREW - 1/4" x 1/2" NC round head, machine, zinc plated	2
22	O/L	NUT - square 1/4" NC	2
23	C 14690	CUSHION - fuel tank	2
24	217- 292	ELBOW - hose 90°	1





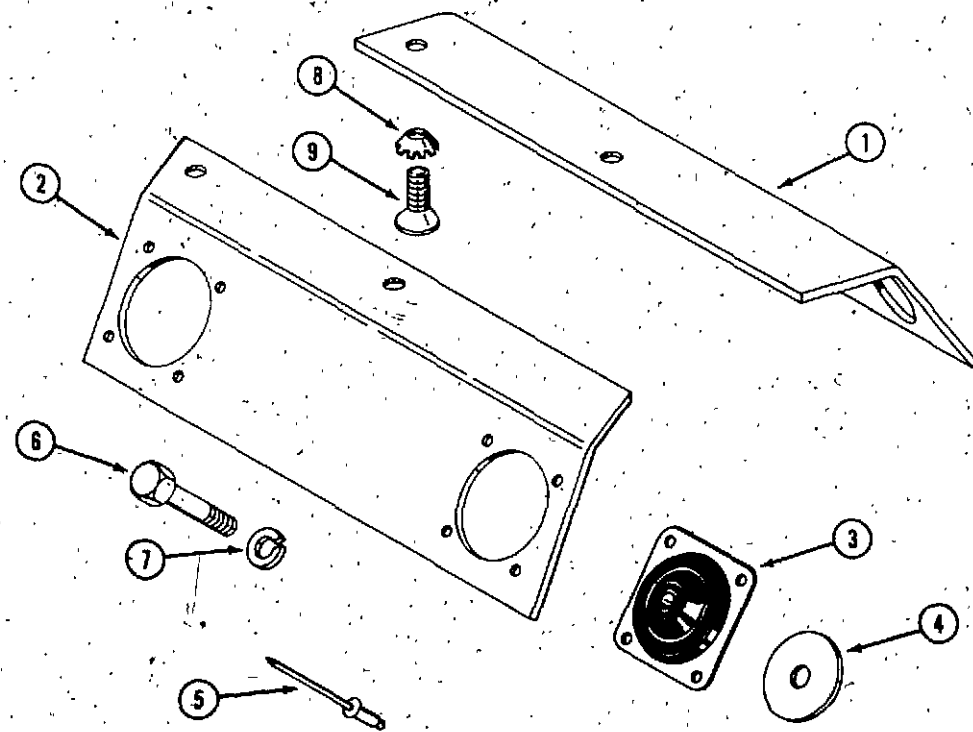
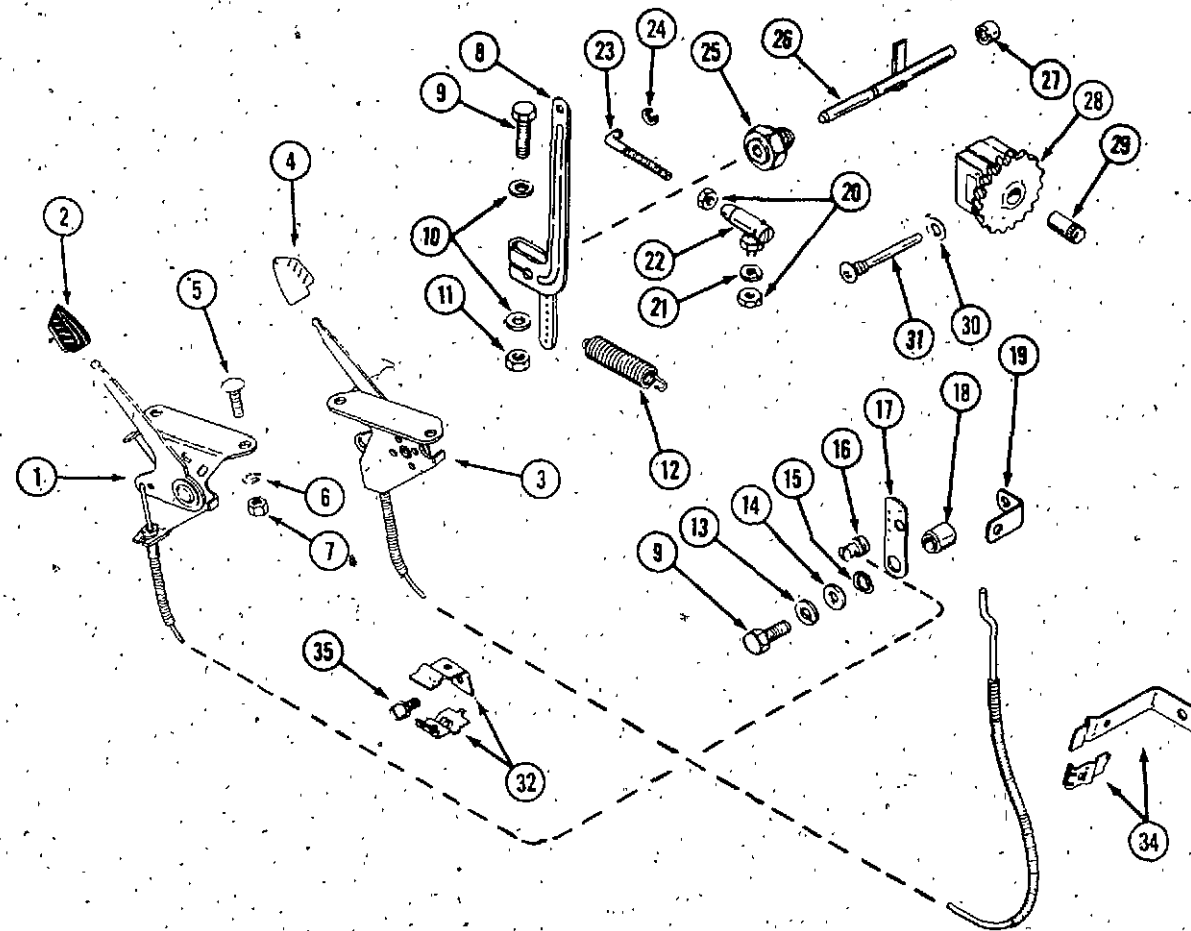
CARBURETOR

REF.	PART NO.	DESCRIPTION	REQ'D
	NSS	CARBURETOR ASSEMBLY - 220, 222 (use C33213)	1
	NSS	CARBURETOR ASSEMBLY - 224 & 444 (use C33214)	1
1	A 72098	SPRING - tension, idle adjust	1
3	C 28879	NEEDLE - main fuel adjust, 220, 222	1
3	KO 237489	NEEDLE - main fuel adjust, 224 & 444 (use before engine S/N 5125238)	1
3	C 24652	NEEDLE - main fuel adjust, 224 & 444 (use engine S/N 5125238 and after)	1
4	KO 200383	SPRING - main fuel adjust	1
5	C 28880	NEEDLE - idle adjust (220, 222)	1
5	KO 275231	NEEDLE - idler adjust (224 & 444)	1
8	C 27276	FLOAT - carburetor	1
9	KO 235448	BOWL - carburetor	1
10	C 26422	SCREW AND GASKET ASSEMBLY - carburetor bowl	1
11	C 27278	KIT - carburetor repair	1
12	NSS	INLET NEEDLE AND SEAT ASSEMBLY	1
13	NSS	GASKET - bowl ring	1
14	NSS	GASKET - bowl baffle	1
15	KO 200372	GASKET - bowl screw	1
16	C 28676	PIN - float	1

FUEL PUMP

(Plastic Fuel Pump Not Serviced)

1	NSS	KIT - fuel pump for KOA235845 pump (220) (use C24851)	1
	NSS	SPRING - fuel pump valve	2
	NSS	VALVE	2
	NSS	GASKET - valve	1
	NSS	DIAPHRAGM ASSEMBLY	1
	NSS	SPRING - diaphragm	1
2	C 24887	GASKET - fuel pump mounting	1
3	NSS	KIT - fuel pump for C22988 pump (222, 224 and 444) (use C24851)	1
	NSS	VALVE ASSEMBLY	2
	NSS	GASKET - valve	2
	NSS	DIAPHRAGM ASSEMBLY	1
	NSS	SPRING - diaphragm	1
	NSS	GASKET - valve	1
2	C 24887	GASKET - fuel pump mounting	1

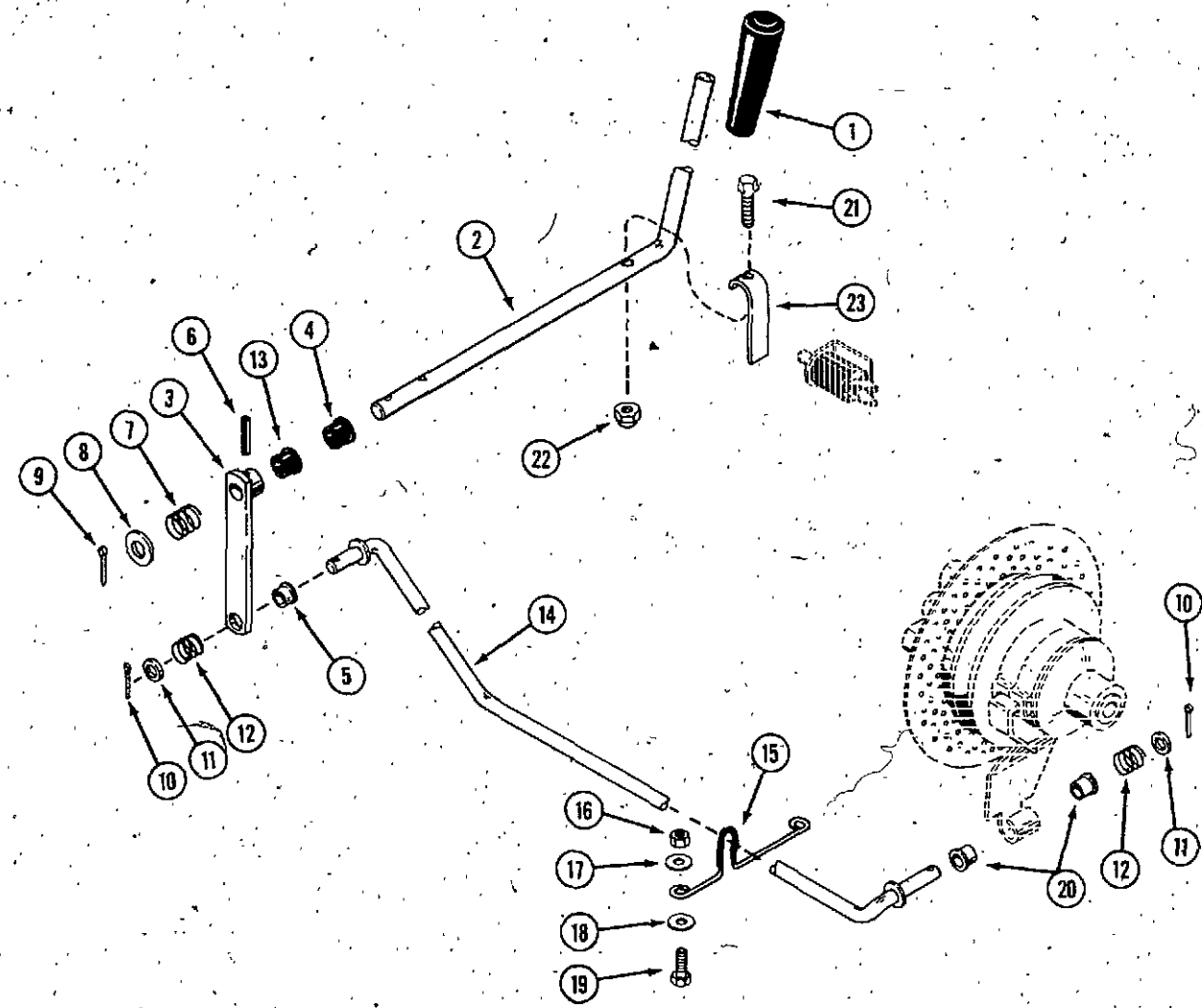


CHOKE, THROTTLE AND GOVERNOR

REF.	PART NO.	DESCRIPTION	REQ'D
1	C 33411	CONTROL - throttle	1
2	C 35291	HANDLE - throttle control, black	1
3	C 25605	CONTROL - choke	1
4	C 30074	HANDLE - choke control, white	1
5	111- 5	BOLT - 10-24 x 5/8" round head, square neck	2
6	192- 18	LOCKWASHER - #10 Std. plated	2
7	129- 17	NUT - #10-24 plated	2
8	KOA237653	LEVER - governor	1
9	113- 17	BOLT - 1/4" x 1-1/4" NC hex	2
10	195- 518	WASHER - 1/4" plated	2
11	129- 101	NUT - 1/4" hex	1
12	KO 235496	SPRING - governor	1
13	192- 19	LOCKWASHER - 1/4" plated	1
14	C 18098	WASHER - thrust	1
15	KO 275690	WASHER - wavy	1
16	C 32935	CLAMP - swivel, wire	1
17	KO 235086	LEVER - speed control	1
18	KO 235085	SPACER - speed control bracket	1
19	KO 235084	BRACKET - high speed stop	1
20	129- 37	NUT - #10-32 hex	2
21	192- 18	LOCKWASHER - 3/16"	1
22	C 28990	JOINT - ball	1
23	KO 235277	ROD - throttle	1
24	C 28670	RING - retaining, throttle rod	1
25	KO 235476	BUSHING - governor cross shaft	1
26	C 23126	SHAFT - governor cross	1
27	C 28691	BEARING - needle, governor shaft	1
28	C 27274	GEAR ASSEMBLY - governor	1
29	KO 235125-S	SHAFT - governor stub	1
30	C 18099	WASHER - governor stop pin	1
31	C 28690	PIN - governor stop	1
32	KOA237559	BRACKET - throttle cable	1
34	KOA236919	BRACKET - choke cable	1
35	182- 516	SCREW - #10 x 3/8" NC fillister head	1
36	KO 235603	CLIP	1

ENGINE MOUNT PLATES

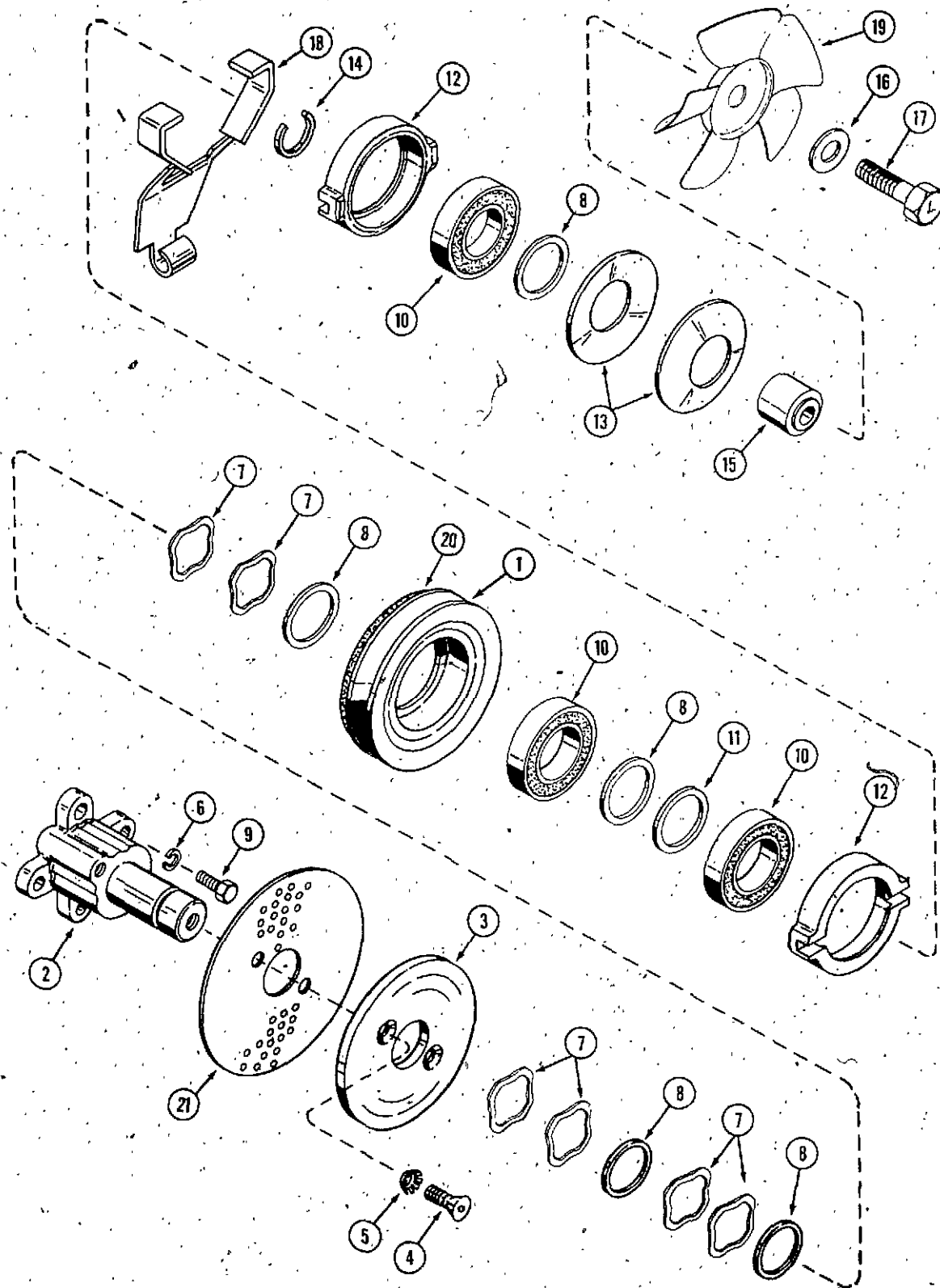
1	C 17717	PLATE - engine mount L.H.	1
2	C 17718	PLATE - engine mount R.H.	1
3	C 29731	MOUNT - engine	4
4	C 25556	WASHER - snubbing	4
5	151- 210	RIVET - semi tubular 3/16"	16
6	113- 219	BOLT - 3/8" x 2" NC hex	4
7	192- 21	LOCKWASHER - 3/8"	4
8	193- 56	LOCKWASHER - 3/8" countersunk external tooth	4
9	164- 50	BOLT - flat head hex socket	4



PTO CLUTCH AND LINKAGE

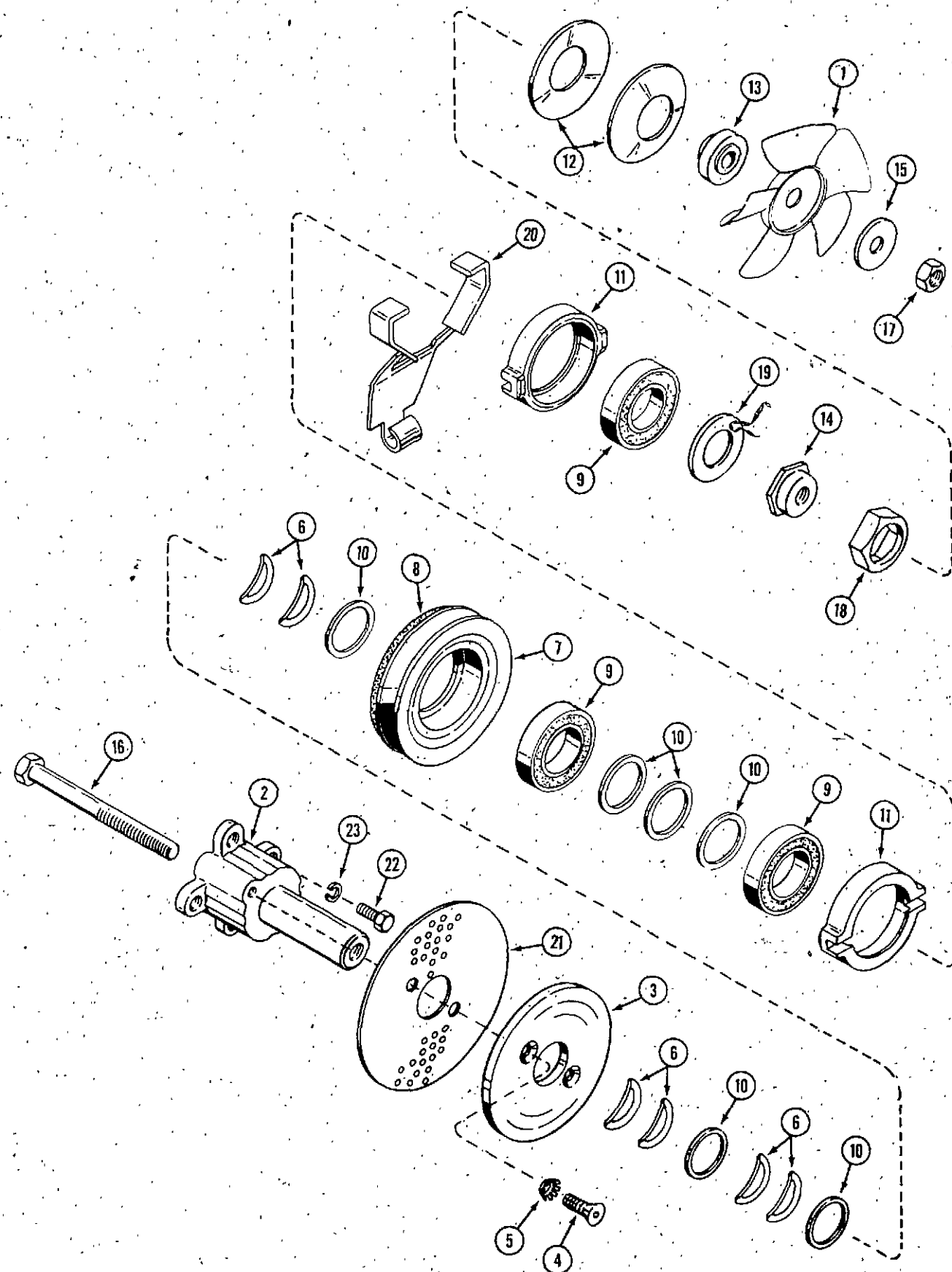
REF.	PART NO.	DESCRIPTION	REQ'D
1	C 28237	KNOB - lever, PTO	1
2	C 22998	LEVER - PTO engaging	1
3	C 22921	ARM ASSEMBLY - PTO	1
4	353- 462	BUSHING - lever, dash tower	1
5	C 20093	BUSHING - fliplock	1
6	138- 96	PIN - roll - 3/16" x 1"	1
7	C 20036	SPRING - lever, PTO	1
8	C 28240	WASHER - nylon	1
9	132- 91	PIN - cotter 3/16" x 1"	1
10	132- 310	PIN - cotter 1/8" x 1"	2
11	C 14906	WASHER - nylon 3/8"	2
12	C 19867	SPRING - clutch rod	2
13	353- 442	BUSHING - heyco	1
14	C 27734	ROD - clutch	1
15	C 19767	GUIDE - clutch rod	1
16	131- 1181	NUT - lock 3/8" n.c. hex	2
17	195- 104	WASHER - 3/8"	2
18	195- 137	WASHER - spacer (used on models without hyd. lift)	2
19	113- 207	BOLT - 3/8" x 1" n.c. hex	2
20	C 20053	BUSHING - nylon	2
21	163- 24	SCREW - #10 - 24 x 1-1/4" hex head, washer	1
22	131- 67	NUT - #10 - 24 zinc plated	1
23	C 23004	ACTUATOR - PTO switch	1

C19803 CLUTCH ASSEMBLY (PTO)



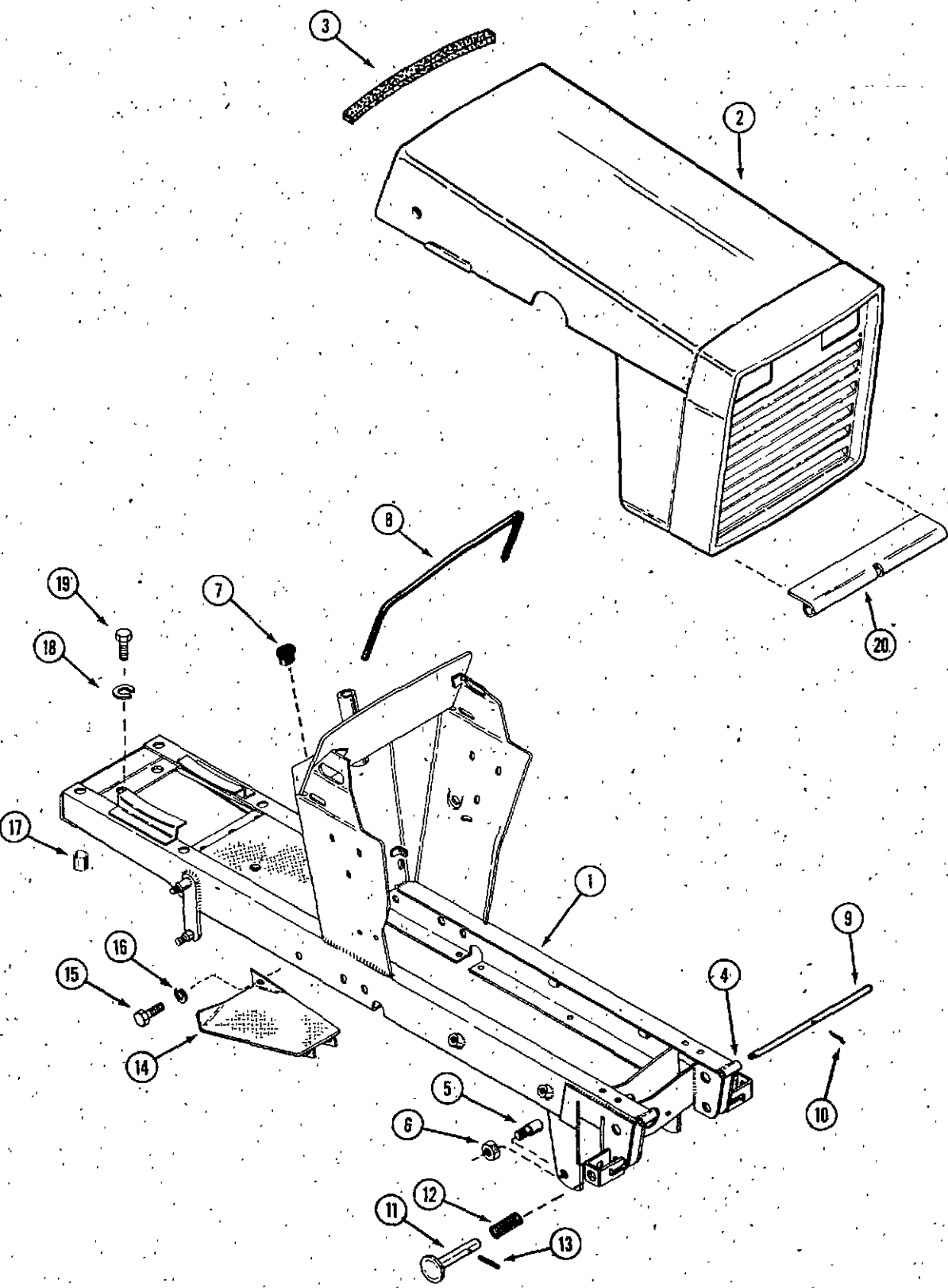
REF.	PART NO.	DESCRIPTION	REQ'D
	NSS	CLUTCH AND FAN ASSEMBLY - less screen (use C27150)	1
1	C 31045	PULLEY ASSEMBLY - clutch and disc	1
2	C 18907	HUB - clutch	1
3	C 15718	PLATE - clutch	1
4	164- 40	BOLT - 5/16" x 3/4" NC flat head socket	2
5	193- 76	LOCKWASHER - 5/16" countersunk external tooth	2
6	192- 21	LOCKWASHER - 3/8"	4
7	C 15515	WASHER - spring	6
8	C 15557	WASHER - spacer .050"	UAR
9	113- 207	BOLT - 3/8" x 1" NC hex ZP	4
10	C 29735	BEARING - cam and pulley	3
11	C 21596	WASHER - spacer .005"	UAR
11	C 15556	WASHER - spacer .010"	UAR
12	C 32169	CAM - clutch (used S/N 9703017 and after) 220	2
12	C 32169	CAM - clutch (used S/N 9706746 and after) 222	2
12	C 32169	CAM - clutch (used S/N 9708741 and after) 224	2
12	C 32169	CAM - clutch (used S/N 9711160 and after) 444	2
12	NSS	CAM - clutch (used prior to S/N 9703017) 220 (must service with (2) C32169 cams and (1) C26702 arm)	2
12	NSS	CAM - clutch (used prior to S/N 9706746) 222 (must service with (2) C32169 cams and (1) C26702 arm)	2
12	NSS	CAM - clutch (used prior to S/N 9708741) 224 (must service with (2) C32169 cams and (1) C26702 arm)	2
12	NSS	CAM - clutch (used prior to S/N 9711160) 444 (must service with (2) C32169 cams and (1) C26702 arm)	2
13	C 16786	SPRING - clutch load	2
14	C 18941	RING - retaining	1
15	C 18908	SPACER - hub	1
16	C 28677	WASHER - fan 17/32"	1
17	C 18940	BOLT - 1/2" x 1-3/4" NC hex L.H. threads	1
18	C 26702	ARM - engaging	1
19	C 16616	FAN - cooling	1
20	C 23740	KIT - friction disc	1
21	C 15721	SCREEN - grass	1

CLUTCH ASSEMBLY (PTO)



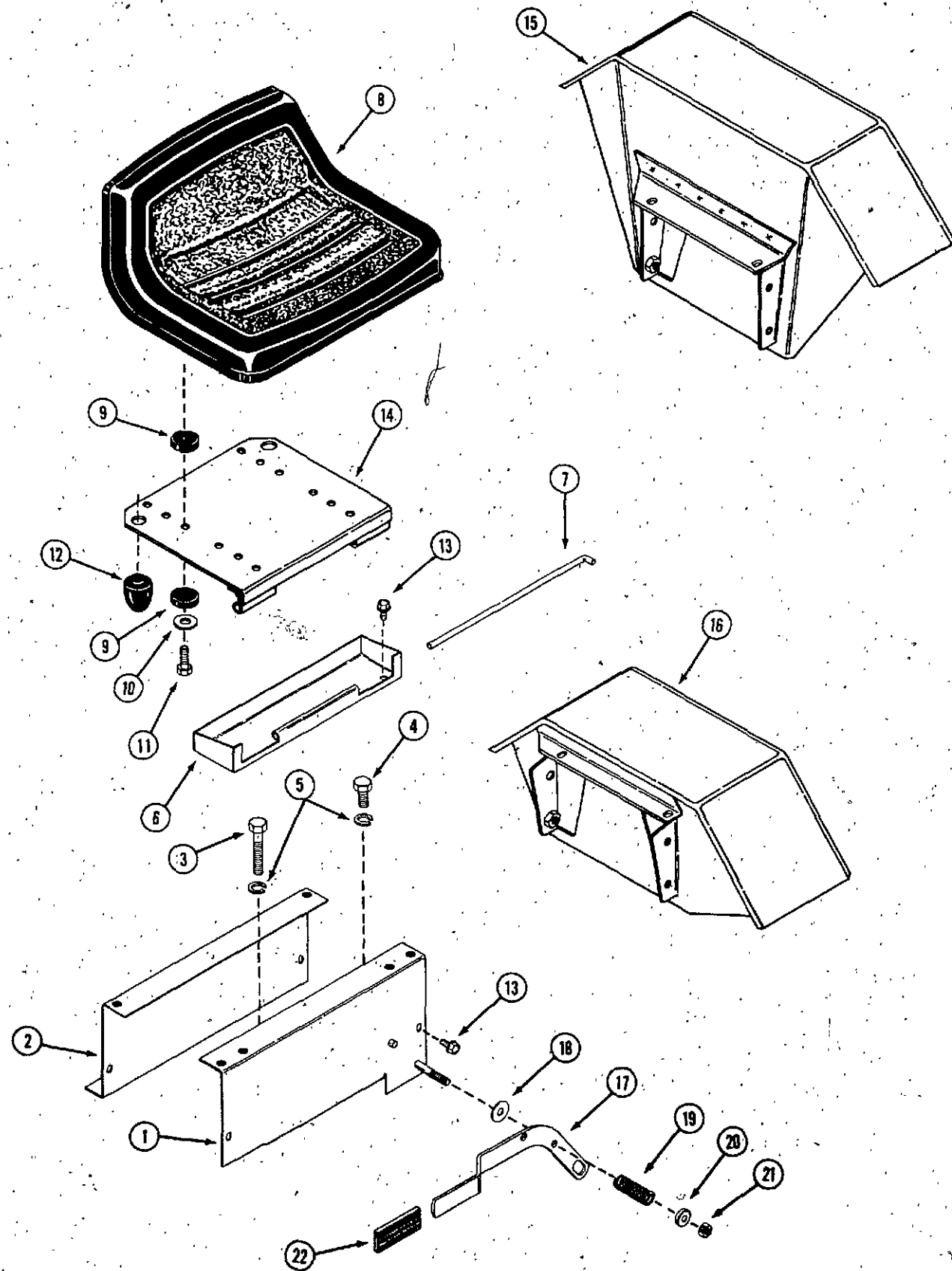
REF.	PART NO.	DESCRIPTION	REQ'D
	C 27150	CLUTCH AND FAN ASSEMBLY	1
1	C 16616	FAN - cooling	1
2	C 23677	HUB - clutch	1
3	C 15718	PLATE - clutch	1
4	164- 40	BOLT - 5/16" - 18 x 3/4"	2
5	193- 76	LOCKWASHER - 5/16" countersunk external tooth	2
6	C 15515	WASHER - spring	6
7	C 31045	PULLEY AND DISC ASSEMBLY	1
8	C 23740	KIT - friction disc	1
9	C 29735	BEARING - ball	3
10	C 15557	WASHER - spacer .050	6
11	C 32169	CAM - clutch	2
12	C 16786	SPRING - clutch load	2
13	C 23630	SPACER - hub	1
14	C 23625	NUT - adjust	1
15	C 28677	WASHER - fan 17/32"	1
16	C 24743	BOLT - 1/2" - 20 x 5-1/2" NF	1
17	129- 125	NUT - 1/2" - 20 NF	1
18	C 23627	GUIDE - adjusting nut	1
19	C 23624	WASHER - spacer	1
20	C 26702	ARM - engaging	1
21	NSS	SCREEN - grass (use (2) C26758)	1
22	113- 207	BOLT - 3/8" - 16 x 1" NC	4
23	192- 21	LOCKWASHER - 3/8"	4

HOOD, FRAME AND GRILLE

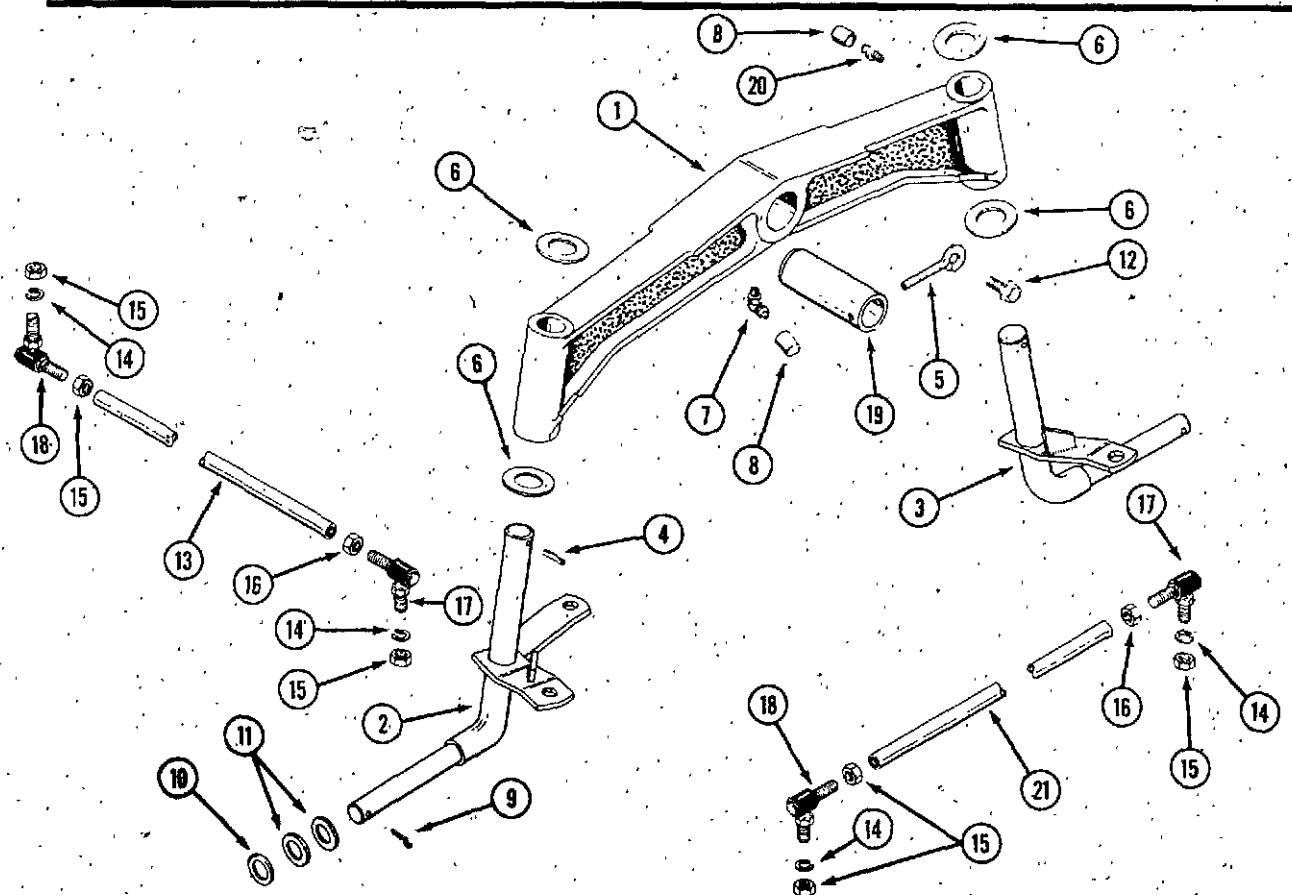
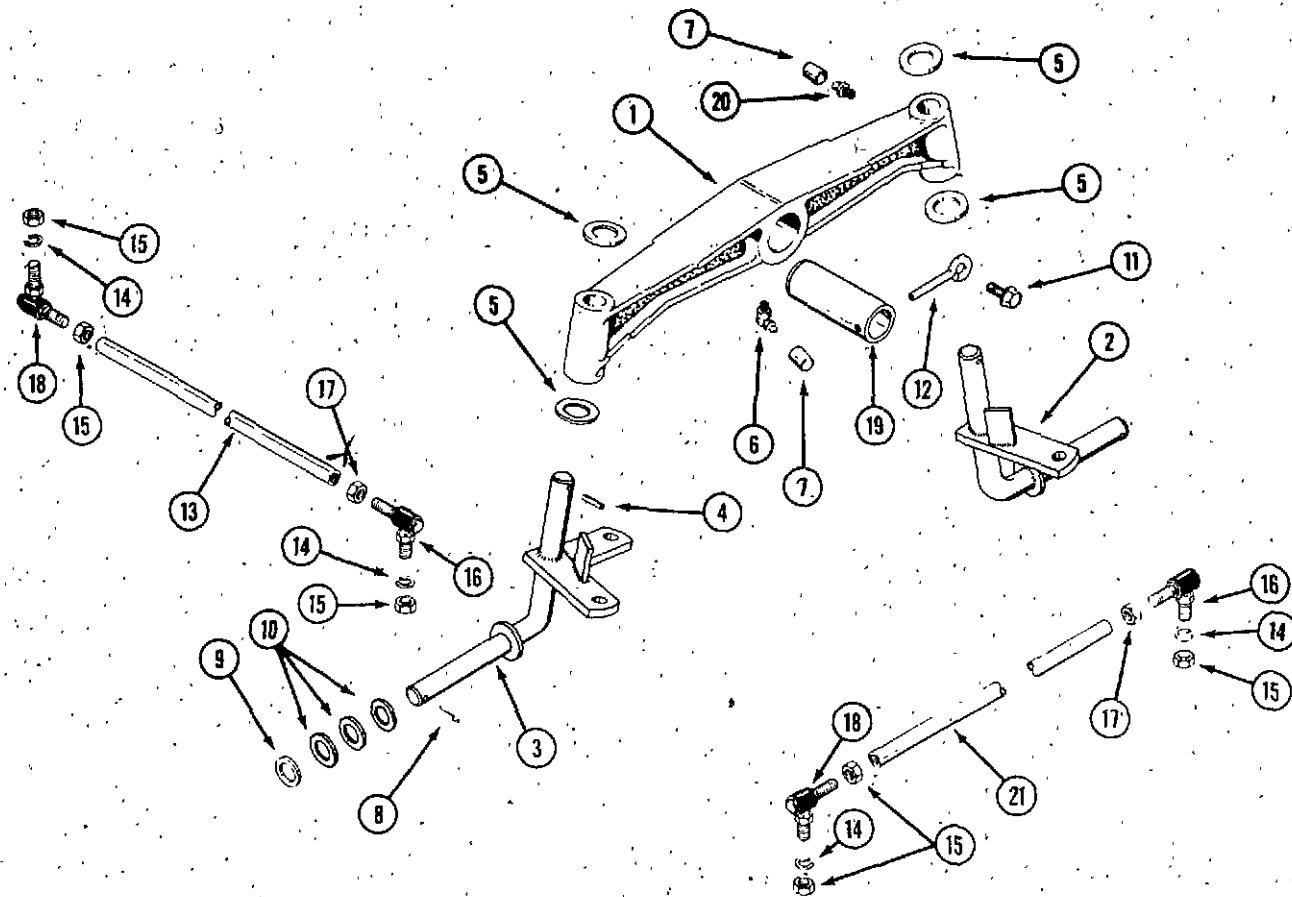


REF.	PART NO.	DESCRIPTION	REQ'D
	NSS	FRAME - main (220, 222 and 224)	1
	NSS	FRAME - main (444)	1
2	C 22775	HOOD AND GRILLE ASSEMBLY - (includes hinge)	1
3	C 23527	LINER - hood	1
4	C 22023	HINGE - frame	2
5	C 27508	PIN - attachment	2
6	131- 1318	NUT - lock 1/2" NF jam	2
7	353- 406	PLUG - hole (models without hydraulic lift)	1
8	C 18153	CHANNEL - instrument panel	1
9	C 16362	ROD - hood hinge	1
10	132- 334	PIN - cotter 1/8" x 3/4"	1
11	C 16373	PIN - latch	2
12	C 24137	SPRING - latch	2
13	138- 319	PIN - roll 3/16" x 1-1/4"	2
14	NSS	PAD - foot rest, L.H.	1
14	NSS	PAD - foot rest, R.H.	1
15	113- 113	BOLT - 5/16" x 7/8" N.C. hex	2
16	192- 20	LOCKWASHER - 5/16"	2
17	C 14729	SPACER - frame, rear (444)	2
17	C 14730	SPACER - frame, rear (220, 222 and 224)	2
18	192- 23	LOCKWASHER - 1/2"	4
19	113- 424	BOLT - 1/2" x 1" N.C. hex	4
20	C 16361	HINGE - hood (included with hood)	1

SEAT, FENDERS AND TOOL TRAY



REF.	PART NO.	DESCRIPTION	REQ'D
1	NSS	SUPPORT - seat, front	1
2	C 16404	SUPPORT - seat, rear	1
3	113- 441	BOLT - 1/2" x 2-1/4" NC hex (444)	2
3	113- 427	BOLT - 1/2" x 3-1/4" NC hex (220, 222 and 224)	2
4	113- 424	BOLT - 1/2" x 1" NC hex	2
5	192- 23	LOCKWASHER - 1/2"	4
6	NSS	TRAY - tool (use C31004, C26029)	1
7	C 16429	PIN - seat hinge	1
8	C 30070	SEAT - (220, 222 and 224)	1
8	C 30071	SEAT - (444)	1
9	C 15410	CUSHION - rubber	8
10	195- 2021	WASHER - 5/16" x 1-1/4" OD, zinc plated	4
11	113- 122	BOLT - 5/16 x 1-1/2"	4
12	C 14534	BUMPER - seat	2
13	121- 106	BOLT - 5/16" x 1/2" flange whizlock	10
14	C 17152	HINGE ASSEMBLY - seat	1
15	C 16444	FENDER - L.H. (444)	1
15	C 16445	FENDER - R.H. (444)	1
16	C 16446	FENDER - L.H. (220, 222 and 224)	1
16	C 16447	FENDER - R.H. (220, 222 and 224)	1
17	C 16393	LEVER - shift	1
18	C 25556	WASHER - 7/16" x 1-1/4" OD	1
19	C 17216	SPRING - shift lever	1
20	C 17066	WASHER - cupped	1
21	131- 1181	NUT - lock 3/8" NC hex	1
22	C 14728	GRIP - shift lever	1

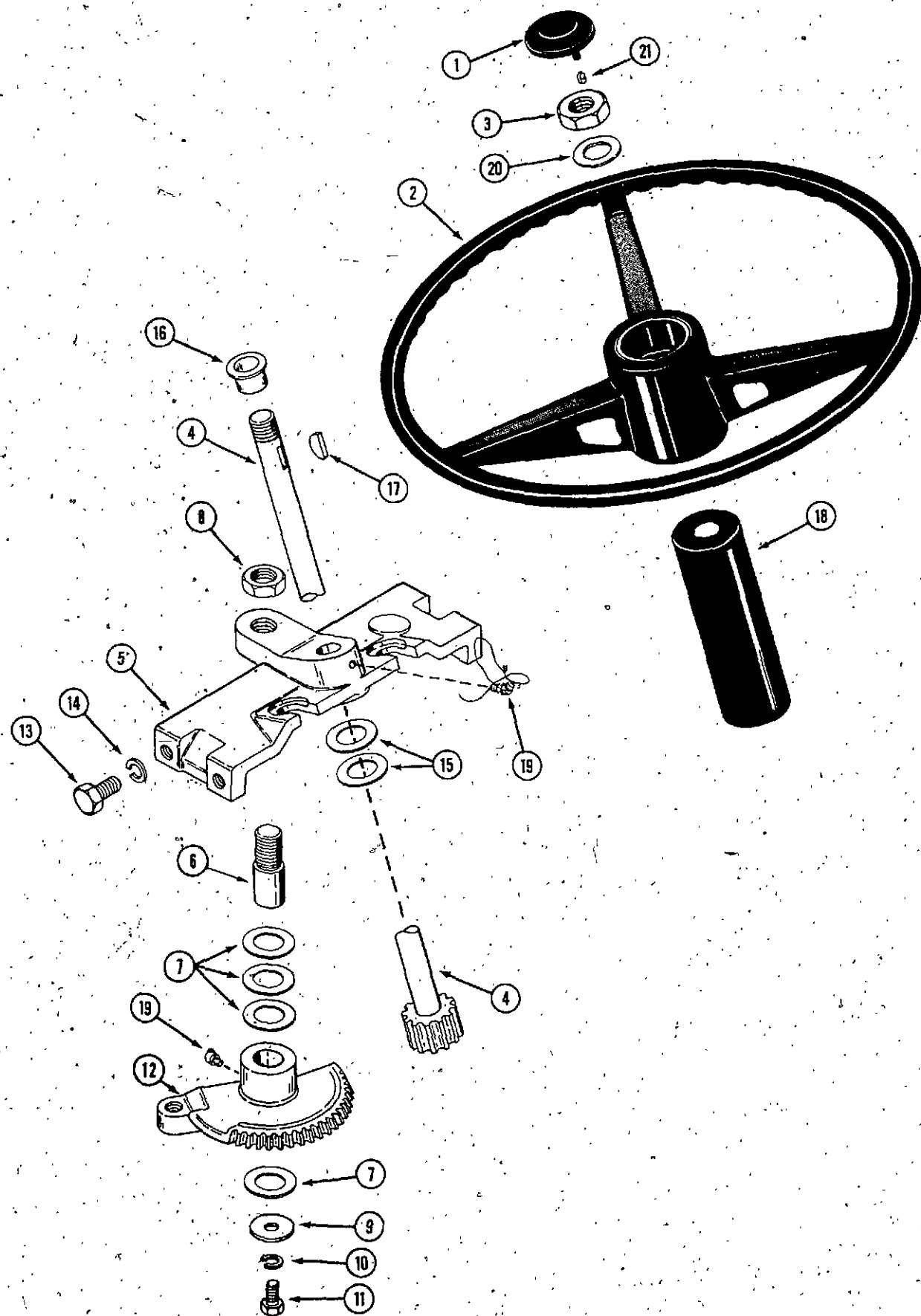


220, 222 AND 224 FRONT AXLE

REF.	PART NO.	DESCRIPTION	REQ'D
1	C 18812	AXLE - front	1
2	C 18777	SPINDLE - left hand	1
3	C 18779	SPINDLE - right hand	1
4	138- 99	PIN - roll 3/16" x 1-3/8"	2
5	C 11906	WASHER - thrust	4
6	219- 404	FITTING - lube	1
7	C 13106	COVER - lube fitting	3
8	132- 311	PIN - cotter 5/32" x 1-1/4"	2
9	C 12975	WASHER - wheel spindle	2
10	C 28226	WASHER - wheel spacer	6
11	187- 1910	BOLT - 3/8" NC indented hex head	1
12	C 22278	PIN - retaining, axle pivot	1
13	C 22992	KIT - drag link	1
14	192- 23	LOCKWASHER - 1/2" zinc plated	3
15	129- 165	NUT - jam 1/2" N.F. hex R.H. thread	6
16	C 21527	BALLJOINT - 1/2" L.H. thread	2
17	129- 365	NUT - jam 1/2" N.F. hex L.H. thread	2
18	C 21526	BALLJOINT - R.H. thread	2
19	C 22568	TUBE - axle pivot	1
20	219- 17	FITTING - lube	2
21	NSS	TIE ROD - (use C25856, C44640, C44641)	1

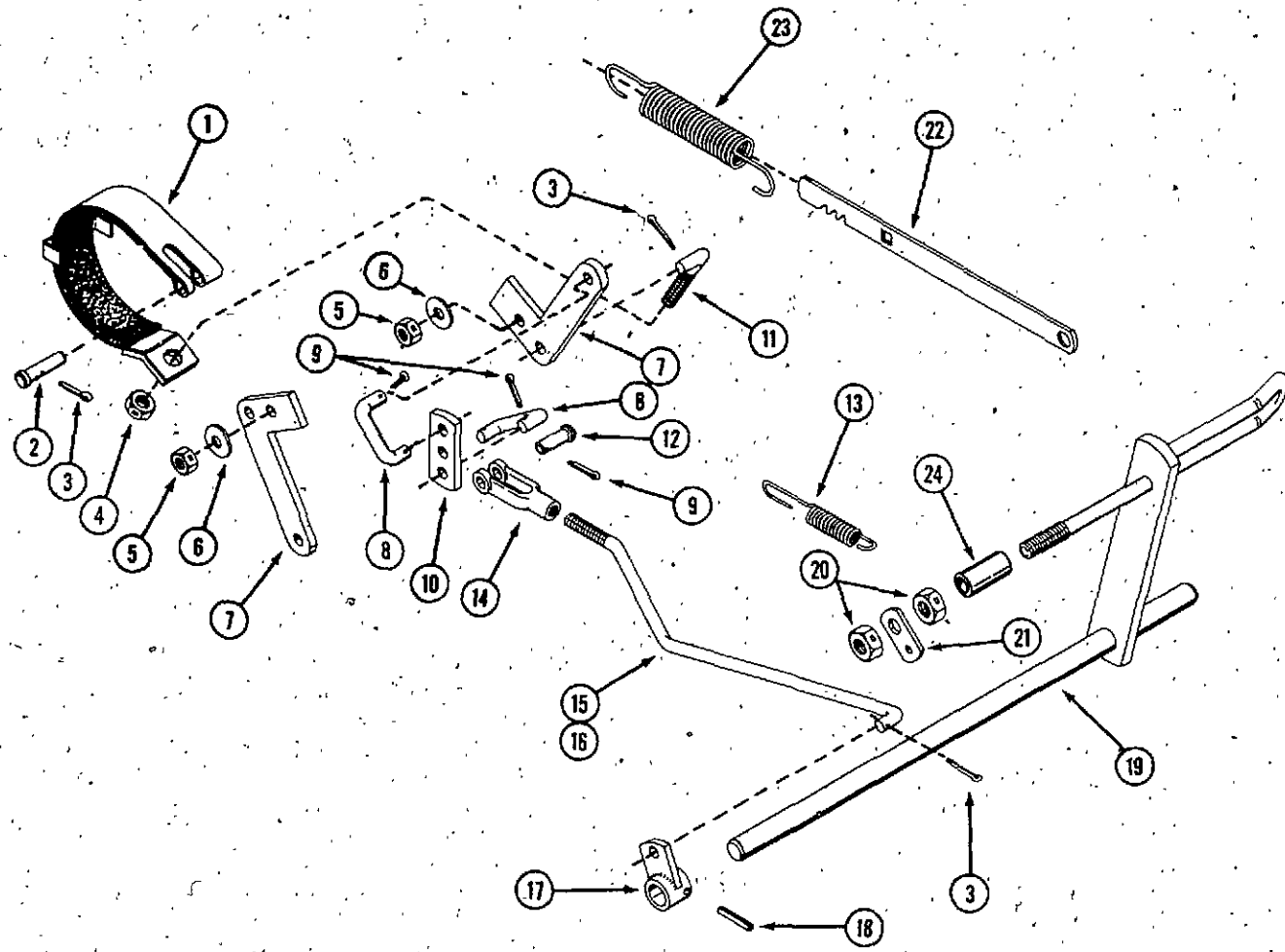
444 FRONT AXLE

1	C 40687	AXLE - front	1
2	C 18784	SPINDLE - right hand	1
3	C 18782	SPINDLE - left hand	1
4	138- 99	PIN - roll 3/16" x 1-3/8"	2
5	C 22278	PIN - retaining, axle pivot	1
6	C 13716	WASHER - thrust	4
7	219- 404	FITTING - lube	1
8	C 13106	COVER - lube fitting	3
9	132- 311	PIN - cotter 5/32 x 1-1/4"	2
10	C 12975	WASHER - wheel spindle	2
11	C 28226	WASHER - wheel spacer	4
12	187- 1910	BOLT - 3/8" NC indented hex head	1
13	C 22992	KIT - drag link	1
14	192- 23	LOCKWASHER - 1/2" zinc plated	3
15	129- 165	NUT - jam 1/2" N.F. hex R.H. thread	6
16	129- 365	NUT - jam 1/2" NF. hex L.H. thread	2
17	C 21527	BALL JOINT - L.H. thread	2
18	C 21526	BALL JOINT - R.H. thread	2
19	C 22568	TUBE - axle pivot	1
20	219- 17	FITTING - lube	2
21	C 21529	TIE ROD	1



STEERING GEAR

REF.	PART NO.	DESCRIPTION	REQ'D
1	C 16945	CAP - steering wheel	1
2	C 18014	WHEEL - steering	1
3	131- 356	NUT - lock 5/8" Gripco	1
4	NSS	SHAFT - steering (use C26325, C26326, 138-143)	1
5	C 18992	SUPPORT - steering gear	1
6	C 14200	PIN - pivot	1
7	C 14201	WASHER - shim	4
8	131- 1112	NUT - jam 3/4"	1
9	195- 2021	WASHER	1
10	192- 20	LOCKWASHER - 5/16" x 3/4" NC hex	1
11	113- 102	BOLT - 5/16" x 3/4" NC hex	1
12	C 33309	GEAR - steering	1
13	113- 206	BOLT - 3/8" x 3/4" NC hex	4
14	192- 21	LOCKWASHER - 3/8"	4
15	195- 2069	WASHER - 5/8" zinc plated	2
16	C 15096	BUSHING - flanged nylon	1
17	126- 16	KEY - Woodruff 3/16" x 3/4"	1
18	C 24098	TUBE - steering	1
19	219- 404	FITTING - lube 45°	2
20	C 12975	WASHER - 5/8"	2
21	C 18017	CLIP - tinnerman	2
	C 13106	COVER - lube fitting	2

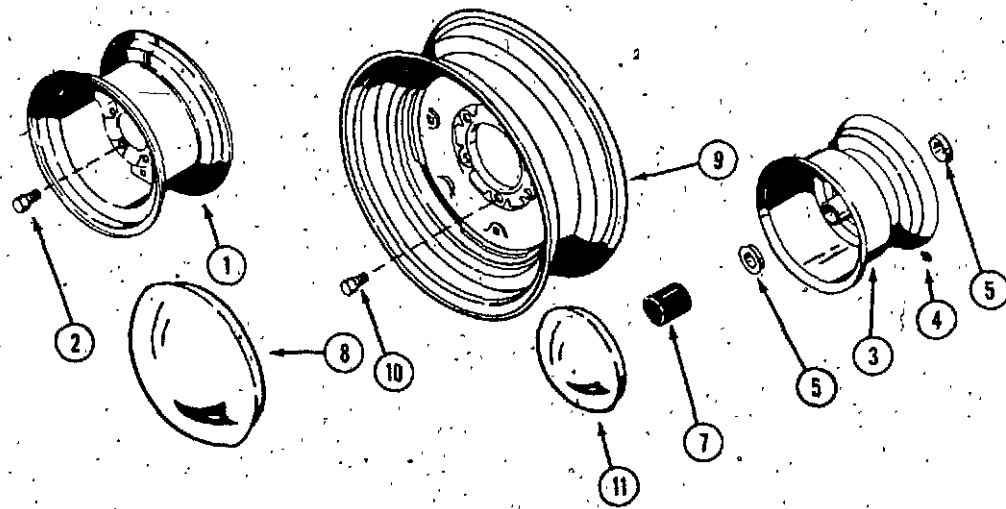


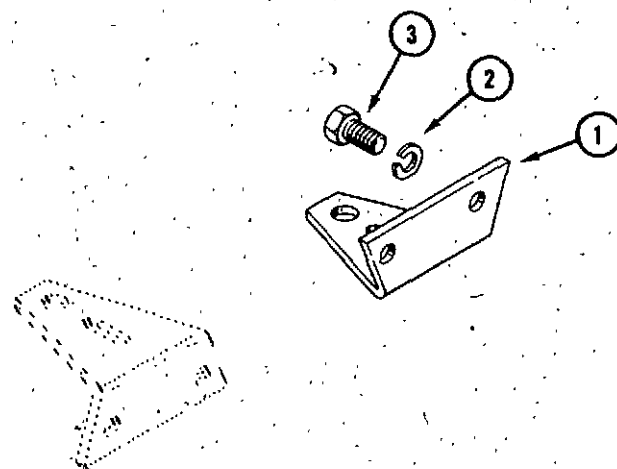
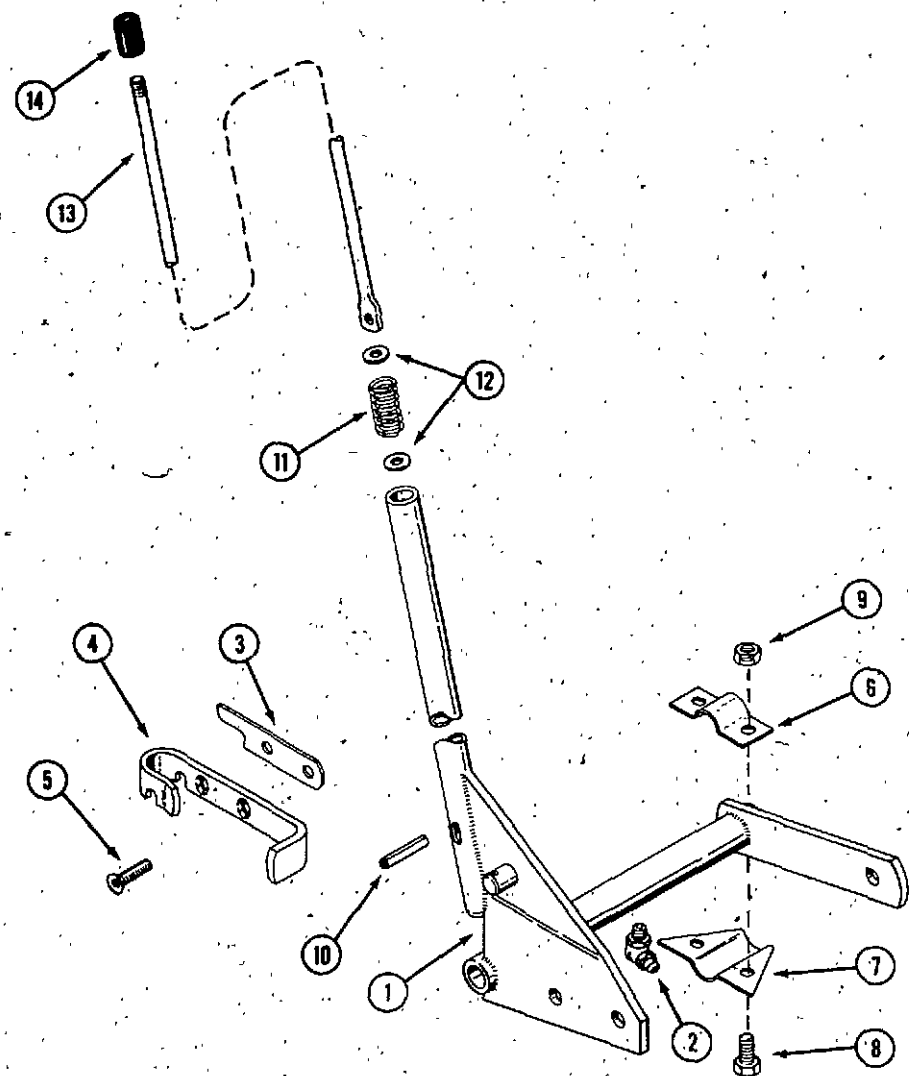
BRAKE ASSEMBLY

REF.	PART NO.	DESCRIPTION	REQ'D
1	C 19250	BAND - brake	1
2	C 13526	PIN - clevis	1
3	132- 310	PIN - cotter 1/8" x 1"	3
4	131- 1129	LOCKNUT - 7/16" hex NC	1
5	131- 1181	LOCKNUT - 3/8" hex NC	2
6	195- 104	WASHER - 3/8" flat	2
7	C 19063	ARM - brake	2
8	C 19064	LINK - brake	2
9	132- 321	PIN - cotter 3/32" x 1"	6
10	C 19179	LINK - brake	1
11	C 19251	LINK - brake band	1
12	141-	PIN - clevis	1
13	C 25022	SPRING - return	1
14	213- 41	CLEVIS	1
15	NSS	ROD - brake (220, 222, and 224) (use C24097)	1
16	NSS	ROD - brake (444) (use C24096)	1
17	C 26381	ARM - brake rod	1
18	138- 319	PIN - roll 3/16" x 1-1/4"	1
19	C 21872	PEDAL - brake assembly	1
20	131- 164	NUT - centerlock jam	2
21	C 16164	TAB - lift control	1
22	C 18147	LEVER - brake lock	1
23	C 27755	SPRING - brake lock	1
24	C 21857	SPACER - brake pedal	1

FRONT AND REAR WHEELS

REF.	PART NO.	DESCRIPTION	220	222	224	444
1	C 24435	WHEEL - rear, 5 bolt	2			
2	C 10314	BOLT - rear wheel	10			
3	C 24433	WHEEL - front (includes bearings)	2			2
4	219- 403	FITTING - lube	2			2
5	C 44499	BEARING - wheel	4			4
7	C 12370	CAP - plastic, front	2			2
8	A 70185	CAP - hub, rear (optional)	2			
9	C 24438	WHEEL - rear, 6 bolt				2
10	A 30064	BOLT - rear wheel				12
11	A 70062	CAP - hub front wheel (optional)	2			2
	C 13106	COVER - lube fitting	2			2





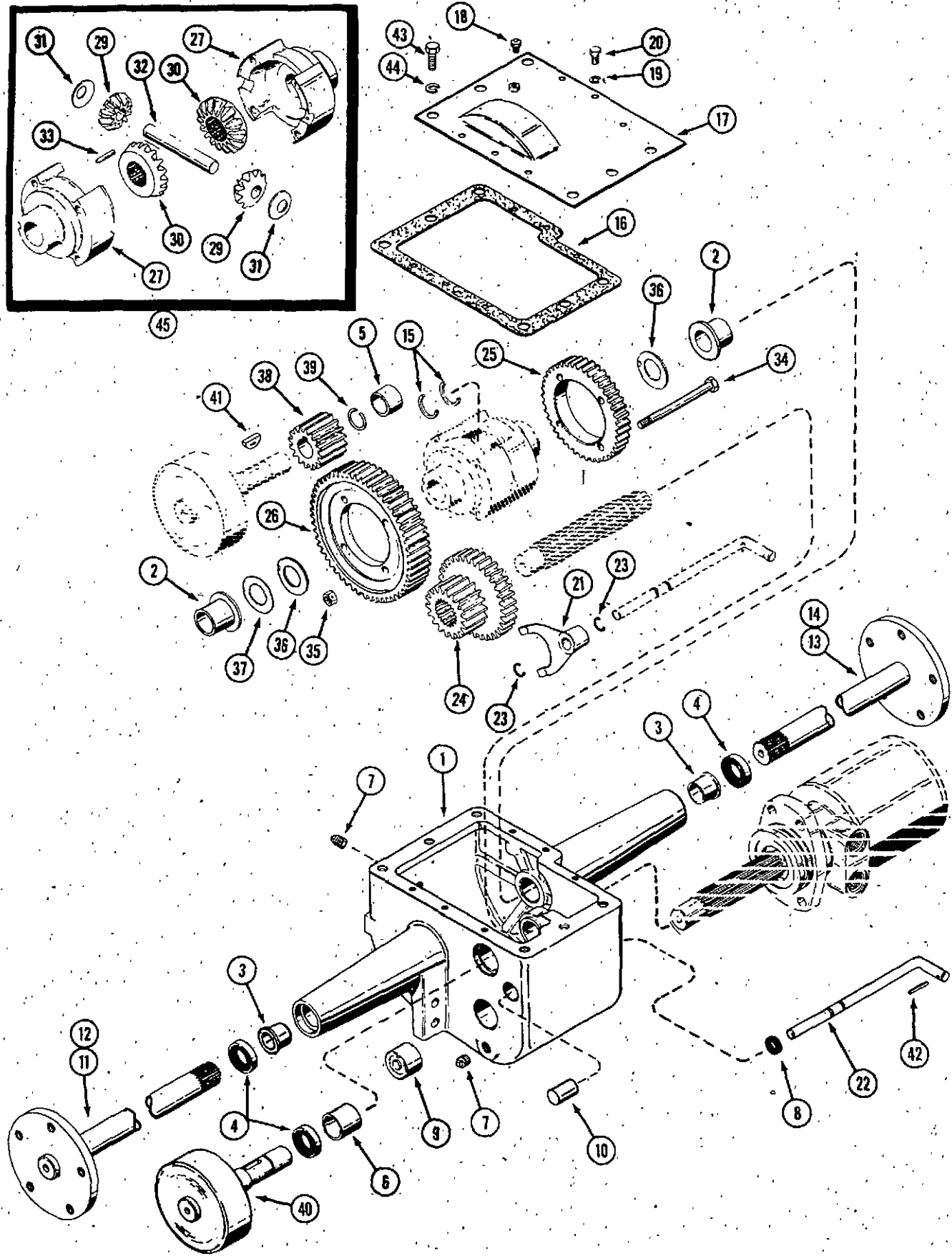
MOUNTING POSITION FOR 220, 222 AND 224 TRACTORS.

IMPLEMENT LIFT

REF.	PART NO.	DESCRIPTION	REQ'D
1	C 18809	LEVER ASSEMBLY - implement lift	1
2	219- 404	FITTING - lube 45°	1
3	C 17281	SPACER - latch	4
4	C 18811	LIFT - latch	1
5	164- 42	SCREW - 5/16 x 1-1/4" flat head socket	2
6	C 17249	BRACKET - mounting top	1
7	C 17250	BRACKET - mounting bottom	1
8	113- 207	BOLT - 3/8" x 1" NC hex	4
9	131- 1181	NUT - lock 3/8"	4
10	138- 2054	PIN - spiral 5/16 x 1-3/4"	1
11	C 15564	SPRING - lift lever	1
12	195- 521	WASHER - 3/8" x 11/16" OD	2
13	C 17067	ROD - lift lever push	1
14	C 14525	BUTTON - thumb	1
	C 13106	COVER - lube fitting	1

DRAWBAR AND TOW HITCH

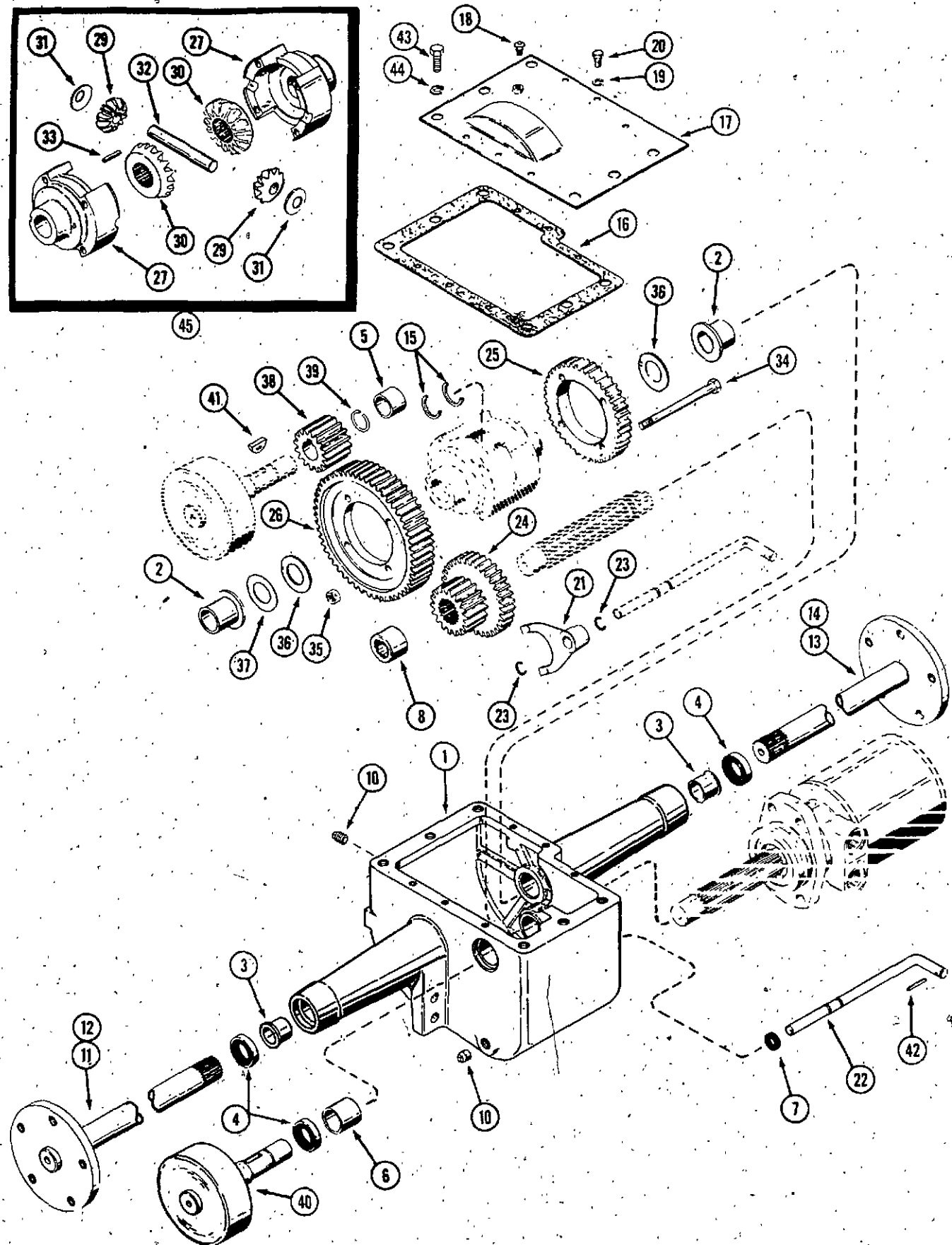
1	C 13360	DRAWBAR	1
2	192- 23	LOCKWASHER - 1/2" zinc plated	2
3	113- 424	BOLT - 1/2" x 1" NC hex zinc plated	2



TRANSMISSION AND FINAL DRIVE

(See Page 51 for Service Transmission)

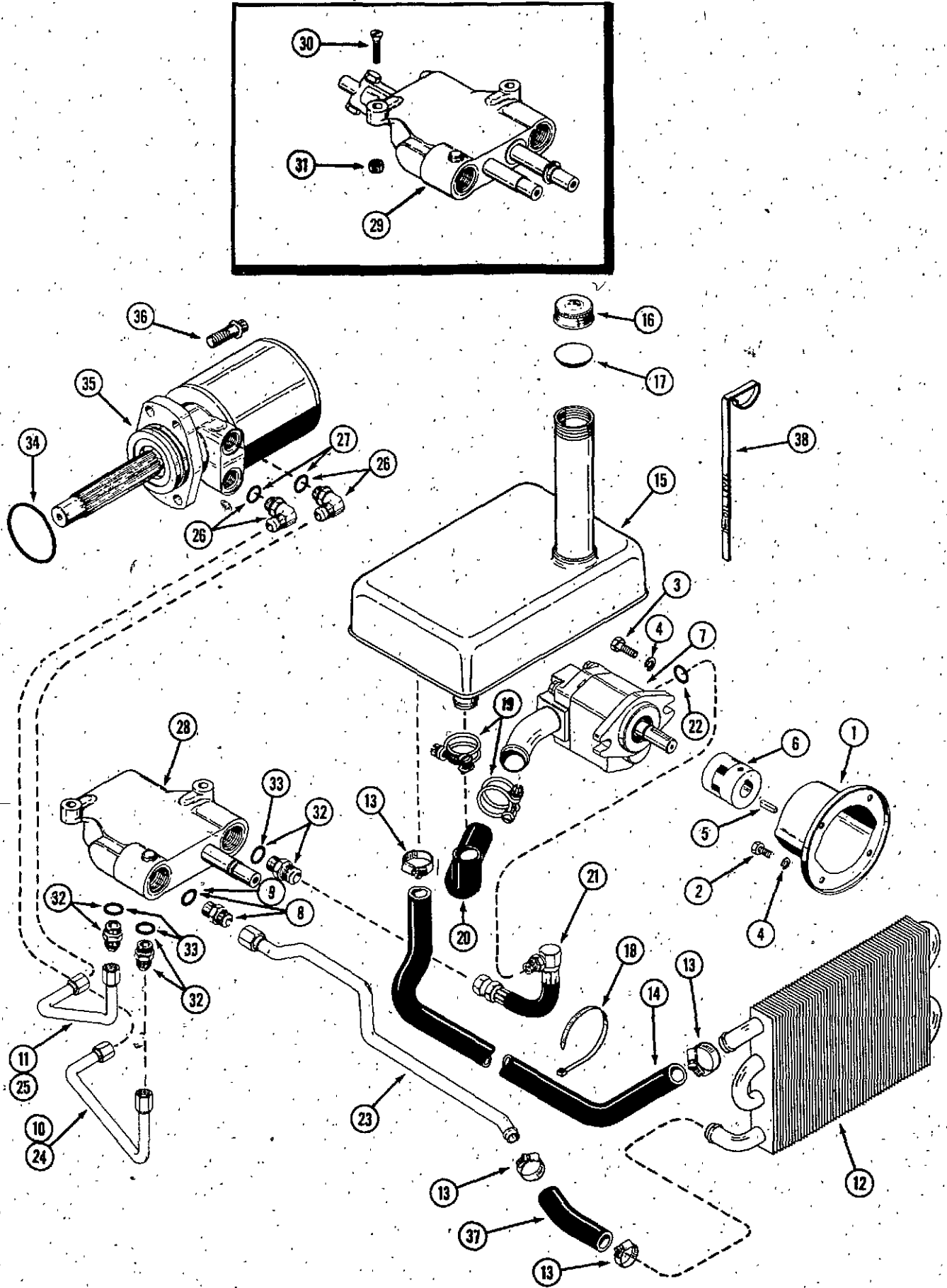
REF.	PART NO.	DESCRIPTION	REQ'D
1	NSS	CASE - transmission (see pge 51)	1
2	C 12713	BEARING - flange	2
3	C 16744	BEARING - flanged	2
4	C 14531	SEAL - axle	3
5	C 13241	BEARING - sleeve	1
6	C 13385	BEARING - sleeve	1
7	221- 4	PLUG - filler and drain 1/2"	2
8	C 13266	SEAL - shift rod	1
9	C 13211	BEARING - roller, input shaft	1
10	C 12723	CAP - shift rod	1
11	C 16699	SHAFT - axle, short R.H. (220, 222 and 224)	1
12	C 22638	SHAFT - axle, short R.H. (444)	1
13	C 16700	SHAFT - axle, long L.H. (220, 222 and 224)	1
14	C 22637	SHAFT - axle, long L.H. (444)	1
15	C 26342	RING - retainer, axle	2
16	C 13196	GASKET - transmission cover	1
17	C 36935	COVER - transmission	1
18	C 28241	BREATHER - transmission	1
19	192- 19	LOCKWASHER - 1/4"	6
20	113- 1	BOLT - 1/4" x 1/2" NC hex	6
21	C 12725	FORK - shift	1
22	C 16339	ROD - gear shift	1
23	C 14168	RING - retaining	2
24	C 14644	GEAR - cluster input	1
25	C 12551	GEAR - high 41 tooth	1
26	C 12552	GEAR - low 55-tooth	1
27	NSS	KIT - diff. case (includes Ref. 34 and 35)	1
29	NSS	GEAR - differential pinion (order two of each items 29 and 30)	2
30	NSS	GEAR - differential (order two of each, items 29 and 30)	2
31	NSS	WASHER - pinion thrust	2
32	NSS	PIN - differential cross	1
33	NSS	PIN - differential cross lock	1
34	28- 680	SCREW - 3/8" x 5" NF hex	4
35	131- 1133	NUT - lock 3/8" NF hex	4
36	C 12718	WASHER - differential	2
37	C 14223	WASHER - spacer	UAR
38	C 33417	GEAR - brake idler (also use C25258)	1
39	C 14222	RING - retainer, brake idler	1
40	C 25258	BRAKE DRUM - (also use C33417)	1
41	126- 128	KEY - Woodruff, brake idler	1
42	138- 319	PIN - roll 3/16" x 1-1/2"	1
43	113- 424	BOLT - 1/2" - 13 x 1" hex	4
44	192- 23	LOCKWASHER - 1/2"	4
45	C 42852	DIFFERENTIAL	1



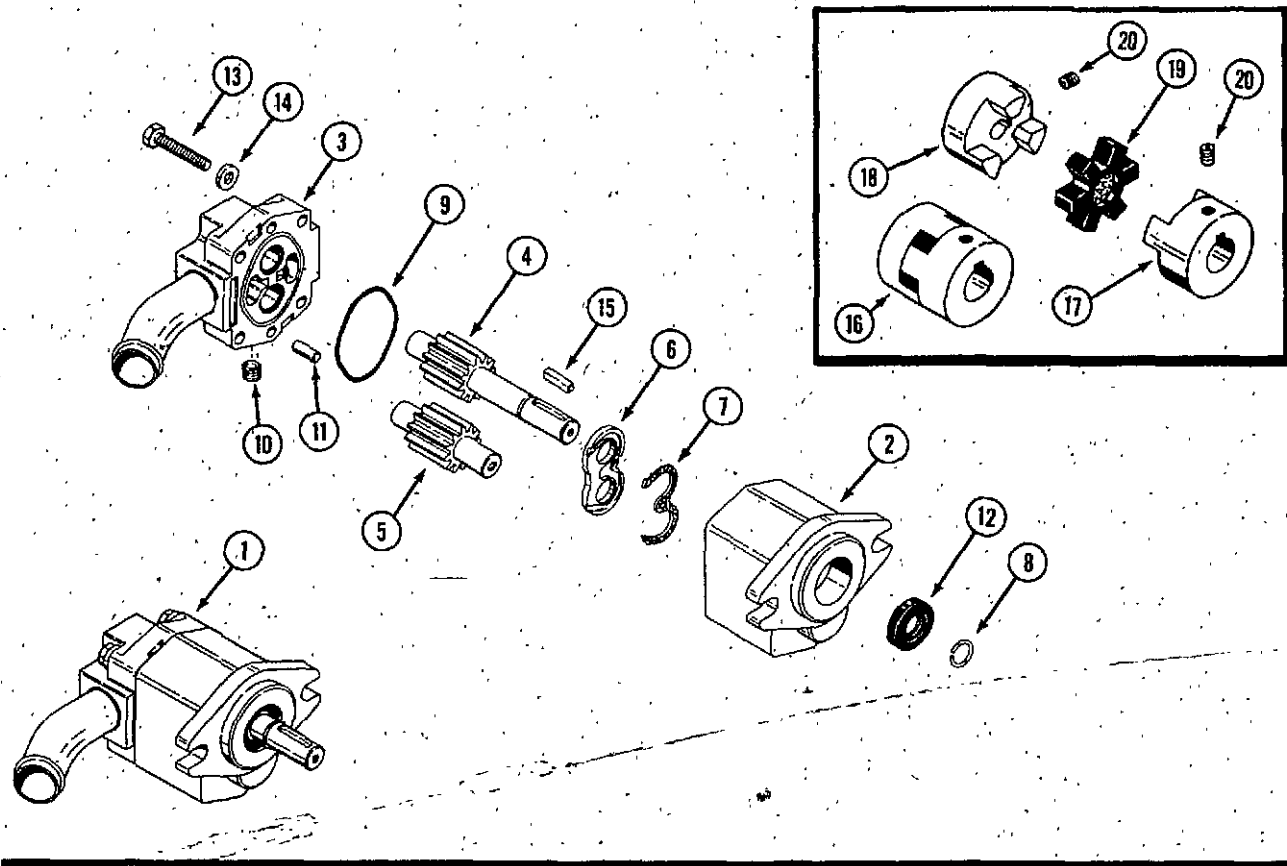
TRANSMISSION AND FINAL DRIVE
(Service Transmission)

REF.	PART NO.	DESCRIPTION	REQ'D
		CASE ASSEMBLY - transmission	1
1	NSS 24843	CASE - transmission	1
2	C 12713	BEARING - flange	2
3	C 24804	BEARING - flange	2
4	C 24803	SEAL - shaft	3
5	C 13241	BEARING - sleeve	1
6	C 13385	BEARING - sleeve	1
7	C 13266	SEAL - shift rod	1
8	C 28281	BEARING - roller	1
10	221- 4	PLUG - 1/2" filler and drain	2
11	C 16699	SHAFT - axle, short R.H. (220, 222 and 224)	1
12	C 22638	SHAFT - axle, short R.H. (444)	1
13	C 16700	SHAFT - axle, long L.H. (220, 222 and 224)	1
14	C 22637	SHAFT - axle, long L.H. (444)	1
15	C 26342	RING - retainer, axle	2
16	C 13196	GASKET - transmission cover	1
17	C 36935	COVER - transmission	1
18	C 28241	BREATHER - transmission	1
19	192- 19	LOCKWASHER - 1/4"	6
20	113- 1	BOLT - 1/4" x 1/2" NC hex	6
21	C 12725	FORK - shift	1
22	C 37222	ROD - gear shift	1
23	C 14168	RING - retaining	2
24	C 14644	GEAR - cluster input	1
25	C 12551	GEAR - high 41 tooth	1
26	C 12552	GEAR - low 55 tooth	1
27	NSS	KIT - diff. case (includes Ref. 34 and 35)	1
	NSS	KIT - differential pinion and side gear	1
29	NSS	GEAR - differential pinion	2
30	NSS	GEAR - differential	2
31	NsS	WASHER - pinion thrust	2
32	NSS	PIN - differential cross	1
33	NSS	PIN - differential cross lock	1
34	28- 680	SCREW - 3/8" x 5" NF hex cap	4
35	131- 1133	NUT - lock 3/8" NF hex	4
36	C 12718	WASHER - differential	2
37	C 14223	WASHER - spacer	2
38	C 33417	GEAR - brake idler (also use C25258)	1
39	C 14222	RING - retainer, brake idler	1
40	C 25258	BRAKE DRUM - (also use C33417)	1
41	126- 128	KEY - Woodruff, brake idler	1
42	138- 319	PIN - roll 3/16" x 1-1/4"	1
43	113- 424	BOLT - 1/2" - 13 x 1" hex	4
44	192- 23	LOCKWASHER - 1/2"	4
45	C 42852	DIFFERENTIAL	1

HYDRAULIC SYSTEM

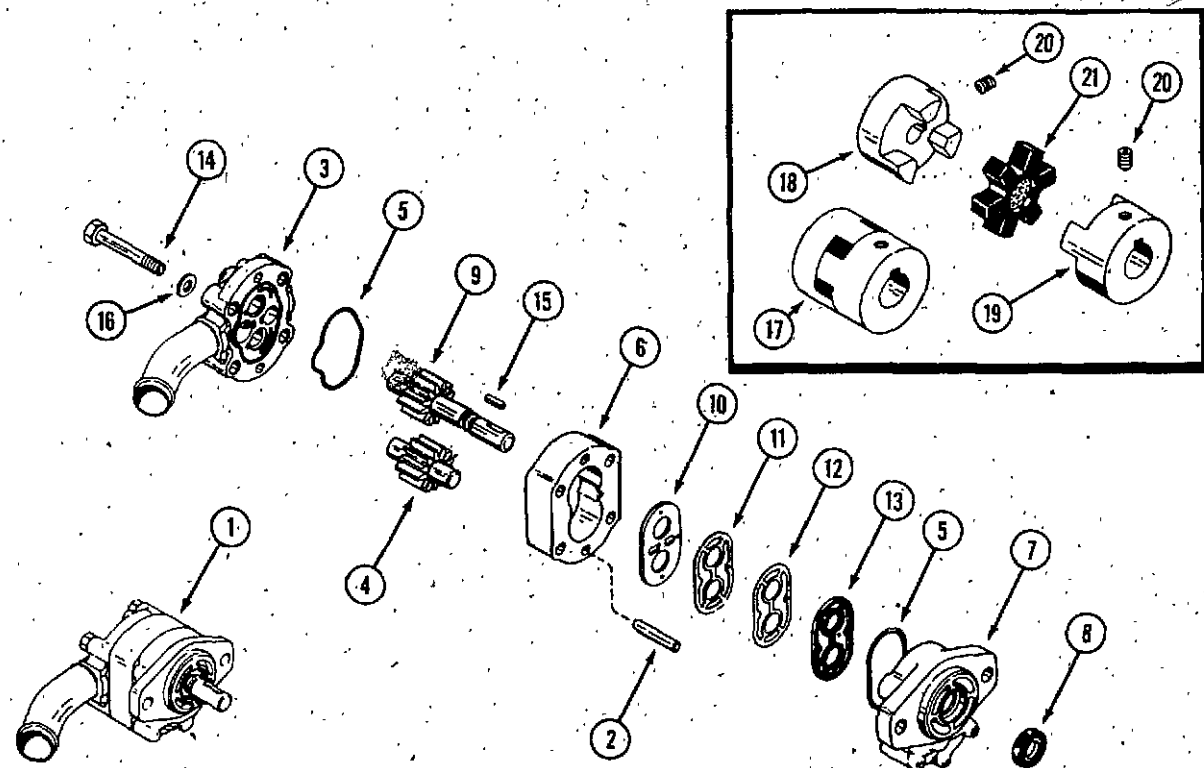


REF.	PART NO.	DESCRIPTION	REQ'D
1	C 15335	SUPPORT - pump mounting	1
2	113- 206	BOLT - 3/8" x 3/4" NC hex. support mounting	4
3	114- 200	BOLT - 3/8" x 1" NF hex. pump mounting	2
4	192- 21	LOCKWASHER - 3/8" zinc plated	6
5	C 28321	KEY - square 1/4" x 3/4" (engine shaft)	1
6	C 25207	COUPLING - pump, 9/16" shaft (220, 222) (See page 55)	1
6	C 25208	COUPLING - pump, 9/16" shaft (224, 444) (See page 55)	1
7	NSS	PUMP - hyd. 9/16" shaft (repairs page 55) (use C24868)	1
8	218- 5065	FITTING - hyd. 3/4" x 7/8" "O" Ring	1
9	218- 5007	"O" RING - 5/8" (for 218-5065 fitting)	1
10	C 16794	TUBE - valve to lower motor port (220, 222 and 224)	1
11	C 16793	TUBE - valve to upper motor port (220, 222 and 224)	1
12	C 25784	EXCHANGER - heat	1
13	214- 254	CLAMP - hose	4
14	C 29697	HOSE - rubber, tank to heat exchanger (cut to length)	1
15	C 22808	RESERVOIR - hydraulic oil	1
16	C 11529	CAP - reservoir (includes insert)	1
17	NSS	INSERT - reservoir cap	1
18	C 22947	TIE - hose clamp	2
19	C 23326	CLAMP - hose	2
20	C 24911	HOSE ASSEMBLY - suction	1
21	C 18797	HOSE - hydraulic, pump to valve	1
22	218- 5006	"O" RING - 1/2" (for C18797)	1
23	C 26182	TUBE - valve to heat exchanger	1
24	C 16687	TUBE - valve to lower motor port (444)	1
25	C 17898	TUBE - valve to upper motor port (444)	1
26	218- 5107	FITTING - motor port, 90° elbow, "O" Ring	2
27	218- 5007	"O" RING - 5/16" (for 218-5107 fitting)	2
28	C 27217	VALVE - hydraulic control, single spool (220, 222) (repairs page 57)	1
29	C 27217	VALVE - hydraulic control, two spool (all models with hydraulic lift) (repairs page 57)	1
30	171- 247	SCREW - 5/16" x 1-1/4" N.C. flat hd. machine	2
31	131- 351	NUT - lock 5/16" N.C. hex	2
32	218- 5062	FITTING - hydraulic valve 5/8" x 7/8" "O" Ring	3
33	218- 5007	"O" RING - 5/8" (for 218-5062)	3
34	C 28949	SEAL - motor to transmisson	1
35	C 16697	MOTOR - hydraulic (220, 222 and 224) (repairs page 59)	1
35	C 14655	MOTOR - hydraulic (444) (repairs page 59)	1
36	166- 86	SCREW - 1/2" x 1-1/4" N.C. flanged 12 pt.	4
37	C 29697	HOSE - rubber, 4" (cut to length)	1
38	C 23189	DIPSTICK - oil, hydraulic reservoir	1

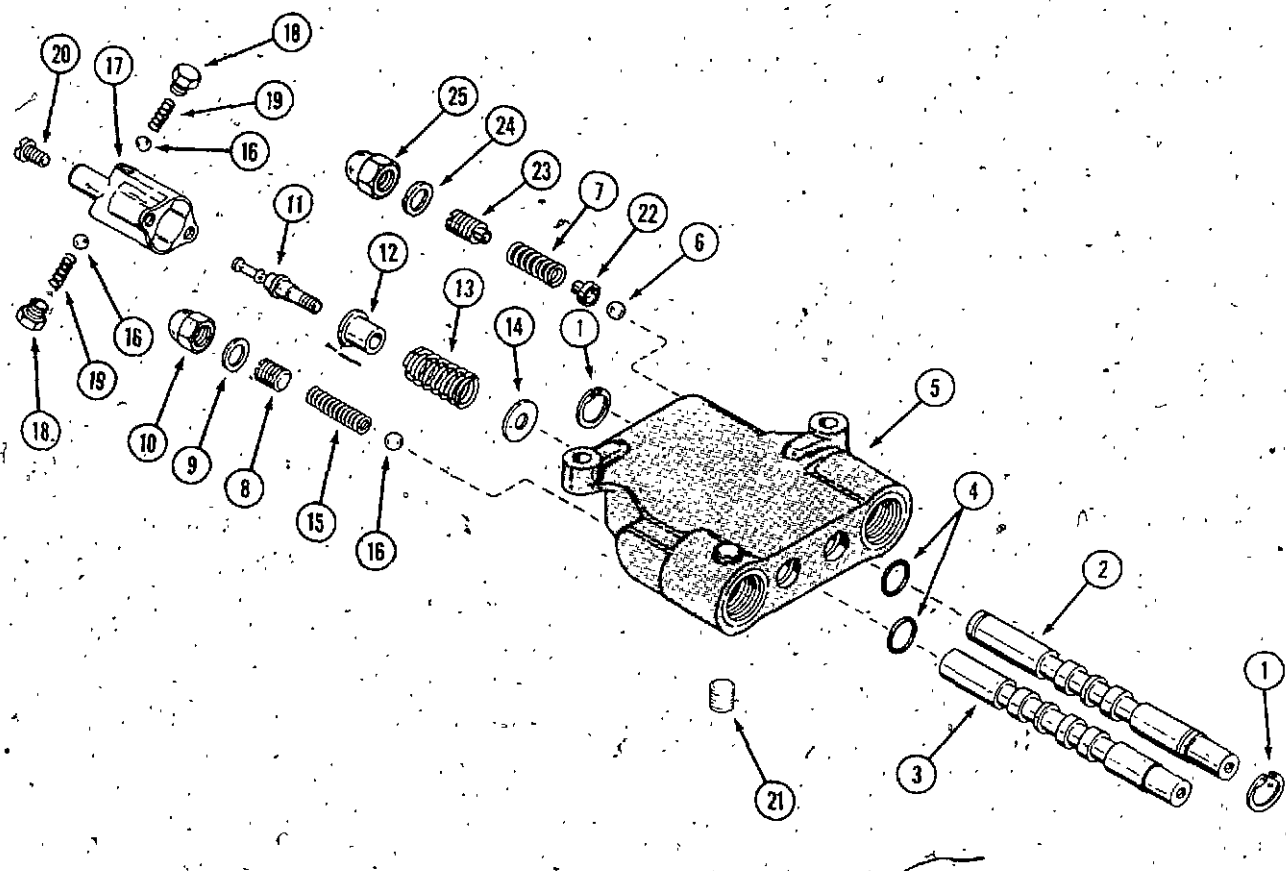


REF.	PART NO.	DESCRIPTION	REQ'D
1	NSS	PUMP - hyd. 9/16" shaft (use C24868 pump)	1
2	C 20456	BODY - pump	1
3	NSS	COVER ASSEMBLY - pump (use C24868)	1
4	C 20460	GEAR - drive, pump	1
5	C 20461	GEAR - driven, pump	1
6	C 20462	PLATE - wear	1
7	C 24070	SEAL AND RETAINER - wear plate	1
8	O/L	RING - retaining	1
9	C 28927	SEAL - "O" Ring	1
10	221- 849	PLUG - pipe	1
11	NSS	PIN - dowel	2
12	C 20464	SEAL - shaft	1
13	O/L	BOLT - 1/4" x 1-1/2" NC hex, grade 5	4
14	NSS	WASHER - 1/4"	4
15	C 20455	KEY - square 3/16" x 13/16"	1
16	C 25207	COUPLING - 220, 222	1
16	C 25208	COUPLING - 224, 444	1
17	NSS	HUB - coupling (order item 16)	1
18	NSS	HUB - coupling (order item 16)	1
19	C 28966	SPIDER - (for C25207 coupling)	1
19	C 15036	SPIDER - (for C25208 coupling)	1
20	83- 55	SETSCREW - 5/16" x 5/16" N.C. soc. hd.	2

C24868 HYDRAULIC PUMP AND COUPLING (PARKER-HANNIFIN)

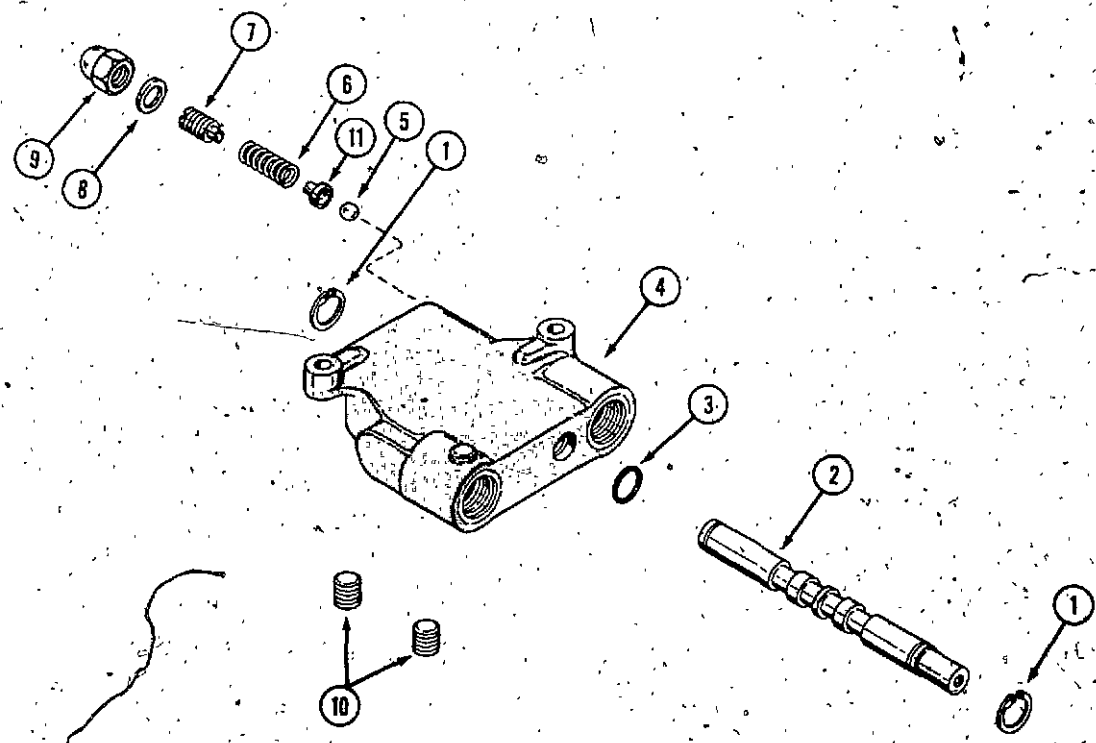


REF.	PART NO.	DESCRIPTION	REQ'D
1	C 24868	PUMP - hyd. 9/16" shaft	1
2	F 53109	PIN - dowel	2
3	C 24867	COVER - rear	1
4	C 15731	GEAR ASSEMBLY - driven	1
5	C 15732	"O" RING - cover	2
6	C 15733	BODY - pump	1
7	C 15734	COVER - front	1
8	C 15735	SEAL - shaft	1
9	NSS	GEAR ASESEMBLY - drive	1
	C 24862	SHAFT - drive	1
	C 24863	GEAR - drive	1
	C 24864	KEY - gear	1
	C 24865	RING - retaining	2
10	C 15737	PLATE - wear	1
11	C 15738	SHIELD - heat	1
12	C 15739	GASKET	1
13	C 15740	SEAL	1
14	O/L	BOLT	4
15	C 28215	KEY - 3/16" square	1
16	C 19115	WASHER	4
17	C 25207	COUPLING - pump (220 and 222)	1
17	C 25208	COUPLING - pump (224 and 444)	1
18	NSS	HUB - (order item 17)	1
19	NSS	HUB - (order item 17)	1
20	C 32199	SCREW - set 5/16" x 5/16" NC socket head	2
21	C 28966	SPIDER - (for C25207 coupling)	1
21	C 15036	SPIDER - (for C25208 coupling)	1



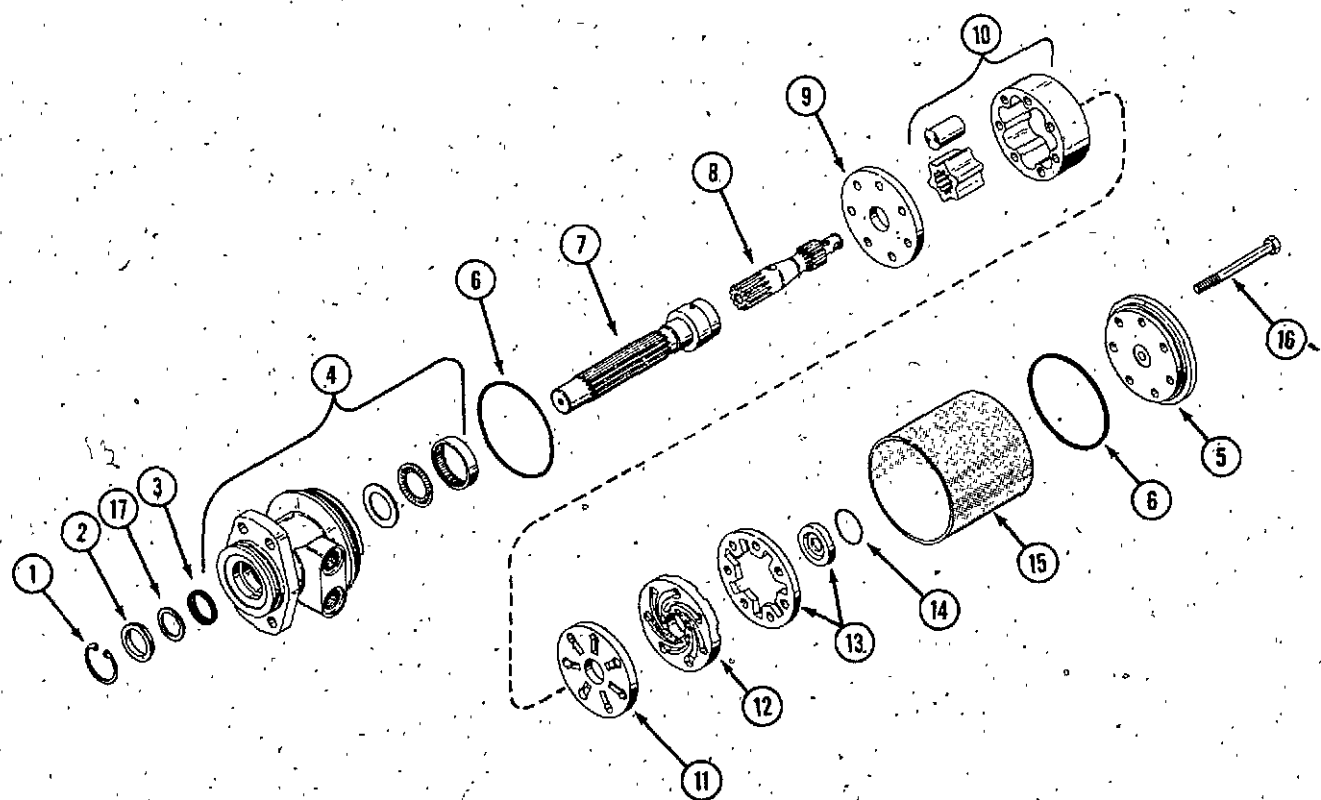
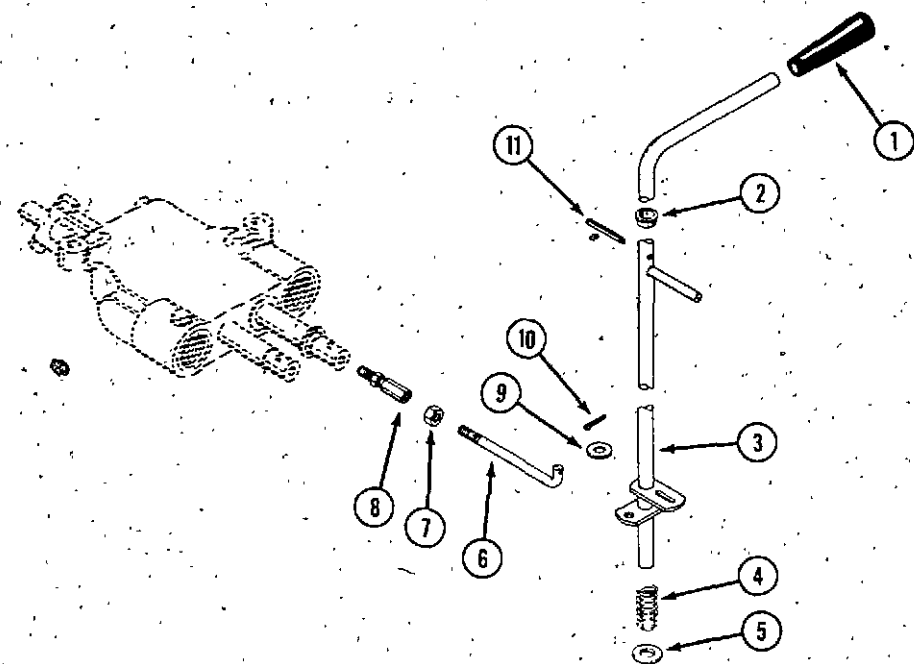
HYDRAULIC CONTROL VALVE (TWO SPOOL)

REF.	PART NO.	DESCRIPTION	REQ'D
	NSS	VALVE - control, two spool (use C27217)	1
1	C 28699	RING - retaining	2
2	NSS	SPOOL - motor (Order C27217)	1
3	NSS	SPOOL - motor (Order C27217)	1
4	C 28856	SEAL - spool	4
5	NSS	BODY - valve (Order C27217)	1
6	211- 208	BALL - steel 5/16"	1
7	C 21507	SPRING - relief	2
8	C 17433	SCREW - relief adjust	1
9	C 17435	GASKET - relief adjust cap	1
10	129 531	CAP - adjust screw	2
11	C 17439	DETENT - spool	1
12	C 13200	SPACER - detent	1
13	C 28706	SPRING - detent return	1
14	C 17440	WASHER - return	1
15	NSS	SPRING - relief (use C21511 kit)	1
16	211- 7	BALL - steel 1/4"	3
17	C 17438	COVER - detent	1
18	C 17443	SCREW - detent	2
19	C 17444	SPRING - detent	2
20	169- 114	SCREW - cover	2
21	221- 841	PLUG - pipe	1
22	C 21506	RETAINER - ball seat	1
23	NSS	SCREW - adjust, relief (use C21504 kit)	1
24	C 21508	GASKET - adjust cap	1
25	C 21510	CAP - adjust screw	1
	C 21504	KIT - relief (includes items 6, 7, 22, 23, 24 and 25)	1
	C 21511	KIT - relief (includes items 8, 9, 10, 15 and 16)	1
	C 18851	KIT - detent (includes items 11, 12, 13, 14, 16, 17, 18, 19 and 20)	1



HYDRAULIC CONTROL VALVE (SINGLE SPOOL)

	NSS	VALVE - control, single spool (use C27217)	1
1	C 28699	RING - retaining	2
2	NSS	SPOOL - Order C27217 valve)	1
3	C 28856	SEAL - spool	2
4	NSS	BODY - valve (Order C27217)	1
5	211- 208	BALL - steel 5/16"	1
6	C 21507	SPRING - relief	1
7	NSS	SCREW - relief adjust (use C21504 kit)	1
8	C 21508	GASKET - relief adjust cap	1
9	C 21510	CAP - adjust screw	1
10	221- 841	PLUG - 1/4"	3
11	C 21506	RETAINER - ball seat	1
	C 21504	KIT - relief (includes items 5, 6, 7, 8, 9 and 11)	1

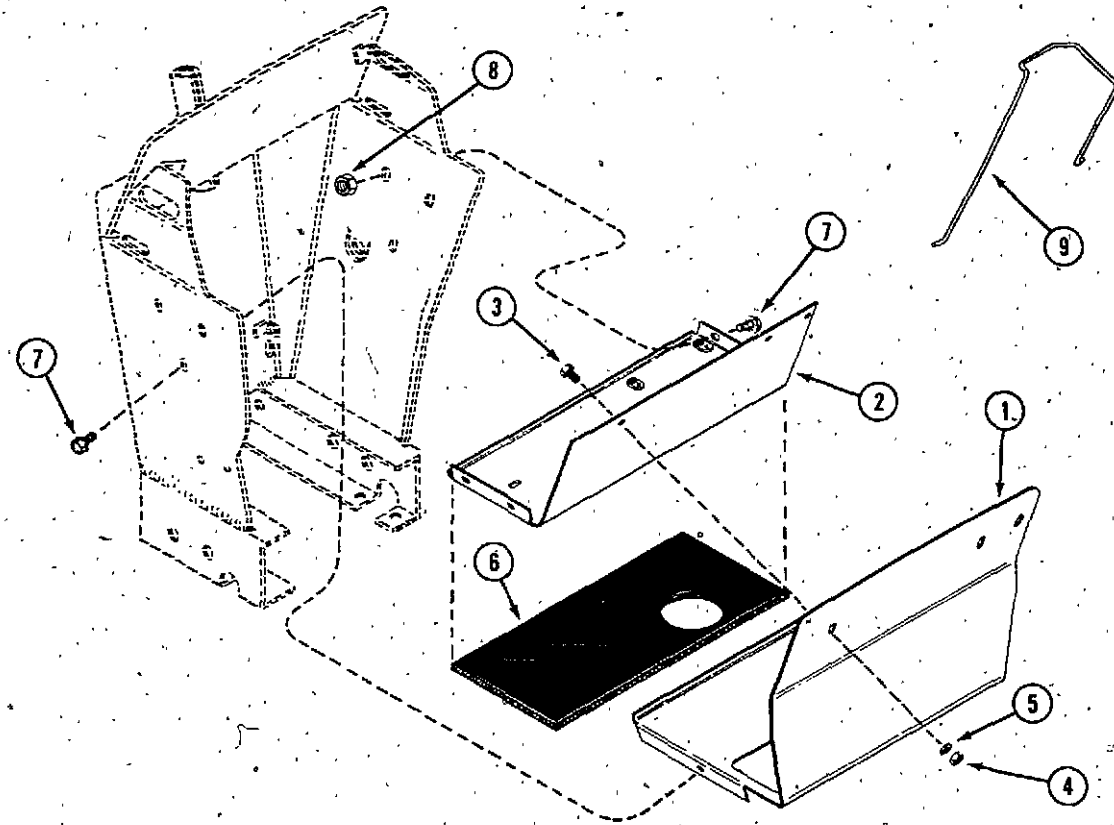


SPEED CONTROL

REF.	PART NO.	DESCRIPTION	REQ'D
1	C 28237	KNOB - speed control	1
2	C 27593	BUSHING - lever	1
3	NSS	LEVER - speed control (use C29407, C28003)	1
4	C 27822	SPRING - compression	1
5	C 21518	WASHER - nylon	1
6	C 18742	ROD - control	1
7	129- 122	NUT - 5/16" NF hex, zinc plated	1
8	C 19025	JOINT - ball	1
9	195- 521	WASHER - 5/16"	1
10	132- 320	PIN - cotter 3/32" x 3/4"	1
11	138- 2072	PIN - roll 1/8" x 1-3/4"	1

HYDRAULIC DRIVE MOTOR

	C 16697	MOTOR - hydraulic, 220, 222 and 224	1
	C 14655	MOTOR - hydraulic, 444	1
1	C 16516	RING - retaining	1
2	NSS	SPACER - (See kit below)	1
3	NSS	SEAL - oil (See kit below)	1
4	C 14827	HOUSING ASSEMBLY	1
5	C 14837	END CAP	1
6	NSS	SEAL - (See kit below)	2
7	NLA	SHAFT - coupling	1
8	NLA	DRIVE LINK - 220, 222 and 224	1
8	NLA	DRIVE LINK - 444	1
9	C 14830	PLATE - wear	1
10	C 18110	ROTOR ASSEMBLY - 220, 222 and 224	1
10	C 14831	ROTOR ASSEMBLY - 444	1
11	C 28703	PLATE - manifold (used prior to motor code 127-7)	1
12	NLA	MANIFOLD	1
13	NLA	COMMUTATOR AND RING SET	1
14	NSS	RING - sealing (See kit below)	1
15	C 18092	SLEEVE - 220, 222 and 225	1
15	C 14836	SLEEVE - 444	1
16	O/L	BOLT - 3/8" x 3-7/8" NF hex, 220, 222 and 224	7
16	C 14838	BOLT - 3/8" x 4-3/8" NF hex, 444	7
17	NSS	WASHER - back up, .010" (See kit below)	1
	C 29732	KIT - "O" ring and seal	1
	NSS	RING - sealing	1
	NSS	SEAL - dirt (not used - throw away item)	1
	NSS	SEAL	2
	NSS	SEAL	1
	NSS	RING - retaining	1
	NSS	SPACER - seal	1
	NSS	WASHER - back up, .010"	1

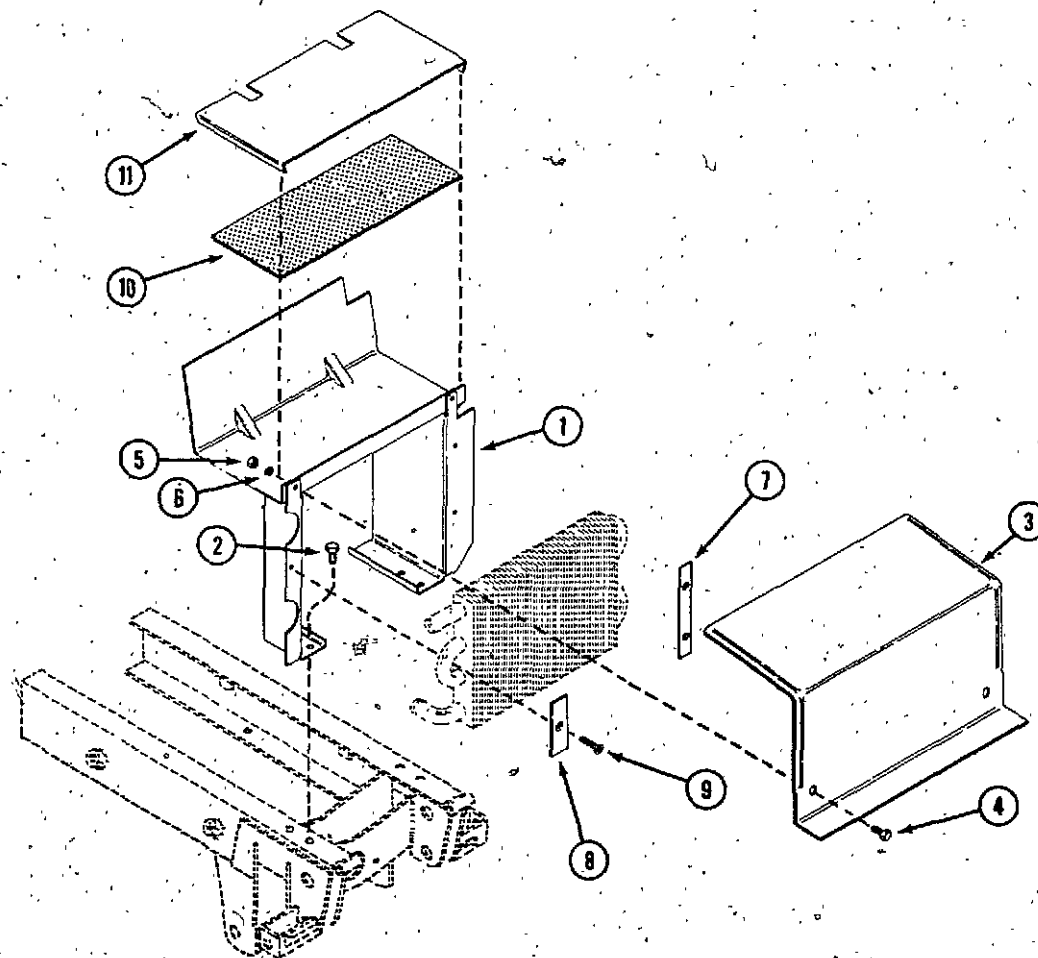


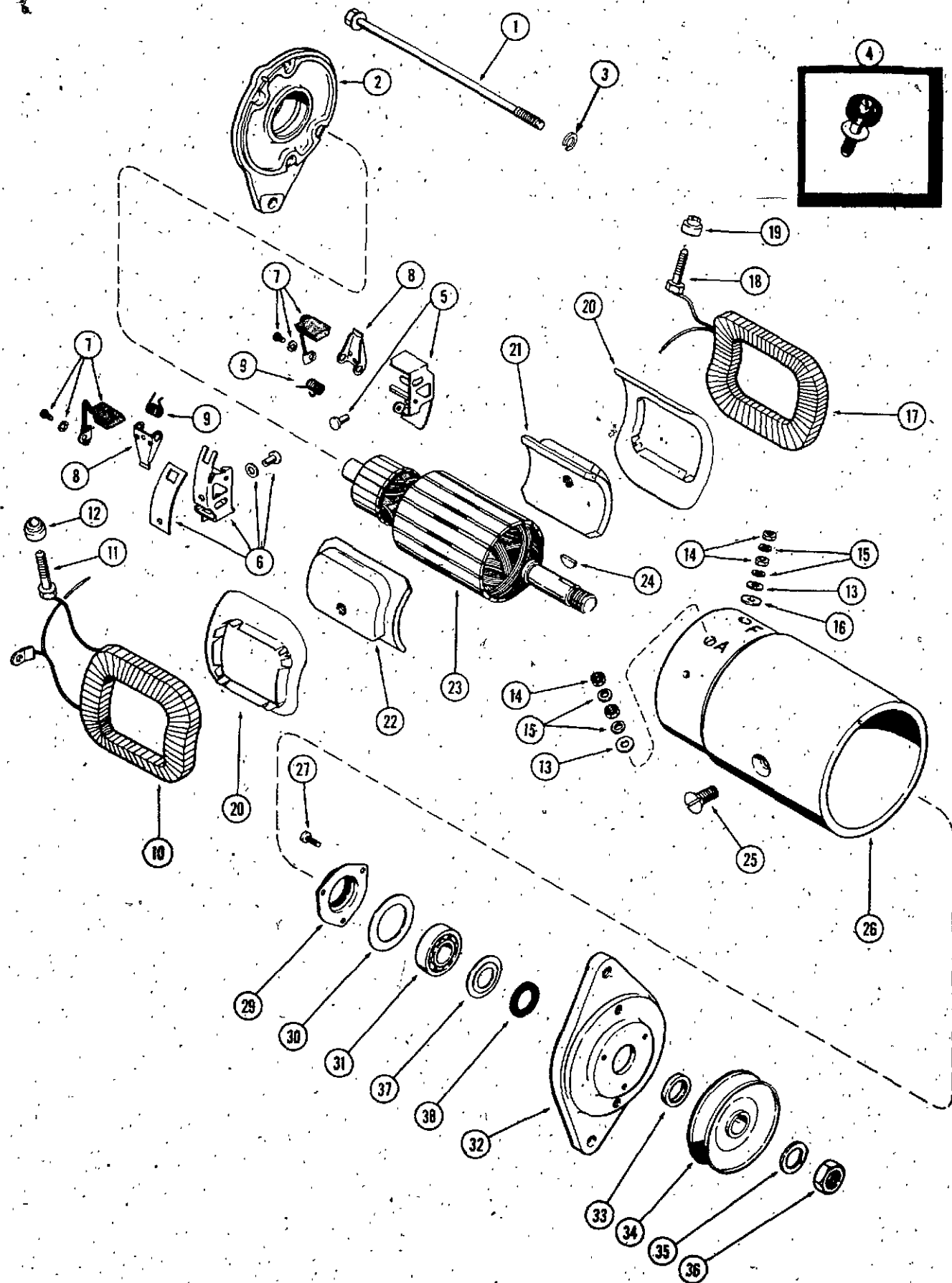
BATTERY MOUNT AND HYDRAULIC RESERVOIR MOUNT

REF.	PART NO.	DESCRIPTION	REQ'D
1	NLA	SUPPORT - hydraulic reservoir	1
2	C 27596	TRAY - battery	1
3	113- 1	BOLT - 1/4" x 1/2" hex z.p.	3
4	129- 101	NUT - 1/4" z.p.	3
5	192- 19	LOCKWASHER - 1/4" z.p.	3
6	C 22896	PAD - rubber	1
7	121- 106	SCREW - 5/16" x 1/2" Whizlock	6
8	129 102	NUT - 5/16" N.C. hex	4
9	C 16239	STRAP - battery holddown	1

HEAT EXCHANGER MOUNTS AND MUFFLER SHIELDS

1	C 27602	SUPPORT - heat exchanger	1
2	113- 118	BOLT - 5/16" x 5/8"	4
3	C 26455	SHIELD - heat, muffler	1
4	113- 1	BOLT - 1/4" x 1/2" hex z.p.	2
5	129- 101	NUT - 1/4" z.p. (early production)	2
6	192- 19	LOCKWASHER - 1/4" z.p. (early production)	2
7	NSS	BRACKET - heat exchanger L.H. (use (2) C25556)	1
8	NSS	BRACKET - heat exchanger R.H. (use C25556)	1
9	187- 1252	SCREW - 1/4" x 1-1/2" N.C. flat hd. Phillips	3
10	C 22903	PAD - insulation	1
11	C 22874	RETAINER - insulation	1

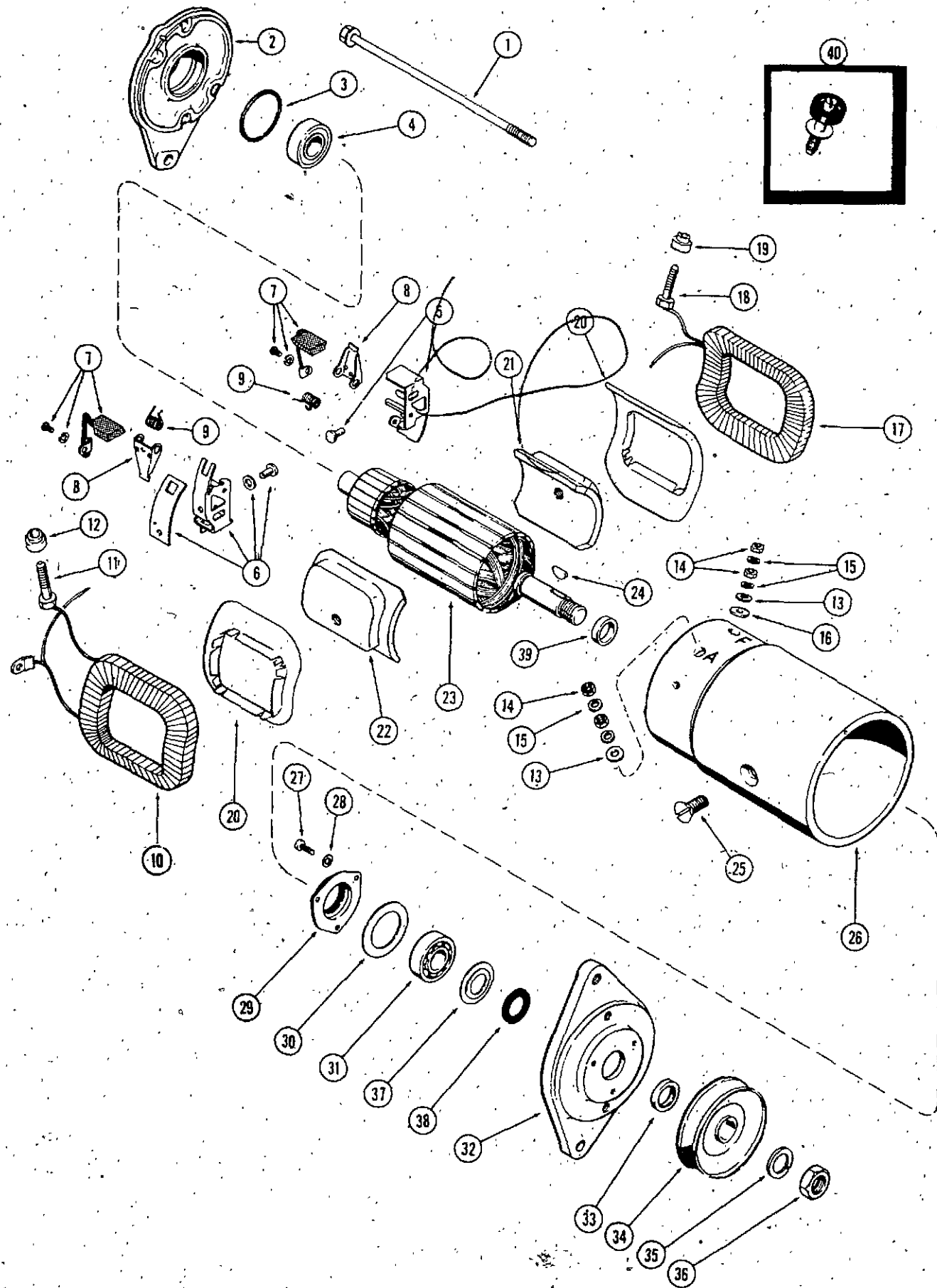




C 16852 STARTER-GENERATOR
(Order C25256 For Service Replacement)

REF.	PART NO.	DESCRIPTION	REQ'D
1	O/L	BOLT - through	2
2	O/L	FRAME ASSEMBLY - commutator end (Delco No. 800213)	1
3	192- 20	LOCKWASHER - 5/16"	2
4	C 28809	KIT - stud (Includes items 16, 18 and 19)	1
5	A 72039	HOLDER KIT - ground brush	1
6	A 72040	HOLDER KIT - insulated brush	1
7	O/L	BRUSH ASSEMBLY - (Delco No. 1946427)	2
8	NLA	ARM - brush pressure	2
9	C 28929	SPRING - brush arm	2
10	A 72043	COIL ASSEMBLY - field R.H.	1
11	A 72048	STUD - armature terminal	1
12	NLA	BUSHING - insulated, armature stud	1
13	NLA	WASHER - armature stud	2
14	O/L	NUT - terminal stud #12-24 hex	4
15	O/L	LOCKWASHER - terminal stud #12	4
16	C 28810	WASHER - insulated, field stud (Order C28809)	1
17	O/L	COIL ASSEMBLY - field L.H. (Delco No. 1939889)	1
18	NSS	STUD - field terminal (Order C28809)	1
19	NSS	BUSHING - insulated, field stud (Order C28809)	1
20	NLA	INSULATOR - field coil	2
21	NLA	SHOE - pole	1
22	NLA	SHOE - pole	1
23	C 28819	ARMATURE	1
24	126- 111	KEY - Woodruff, armature	1
25	O/L	SCREW - pole	2
26	NSS	BODY - starter, generator (Order C25256 starter)	1
27	O/L	SCREW - 10-32 x 1/2" round head	3
29	C 31096	RETAINER ASSEMBLY - bearing	1
30*	NSS	GASKET - bearing retainer (order C31096)	1
31	C 28823	BEARING - ball, drive end	1
32	A 72046	FRAME ASSEMBLY - drive end	1
33	A 72047	SPACER - pulley	1
34	C 14344	PULLEY - starter generator drive	1
35	192- 26	LOCKWASHER - 11/16" plated	1
36	O/L	NUT - armature shaft, drive end	1
37	NLA	RETAINER - grease	1
38*	NSS	SEAL - felt (Order C31096)	1

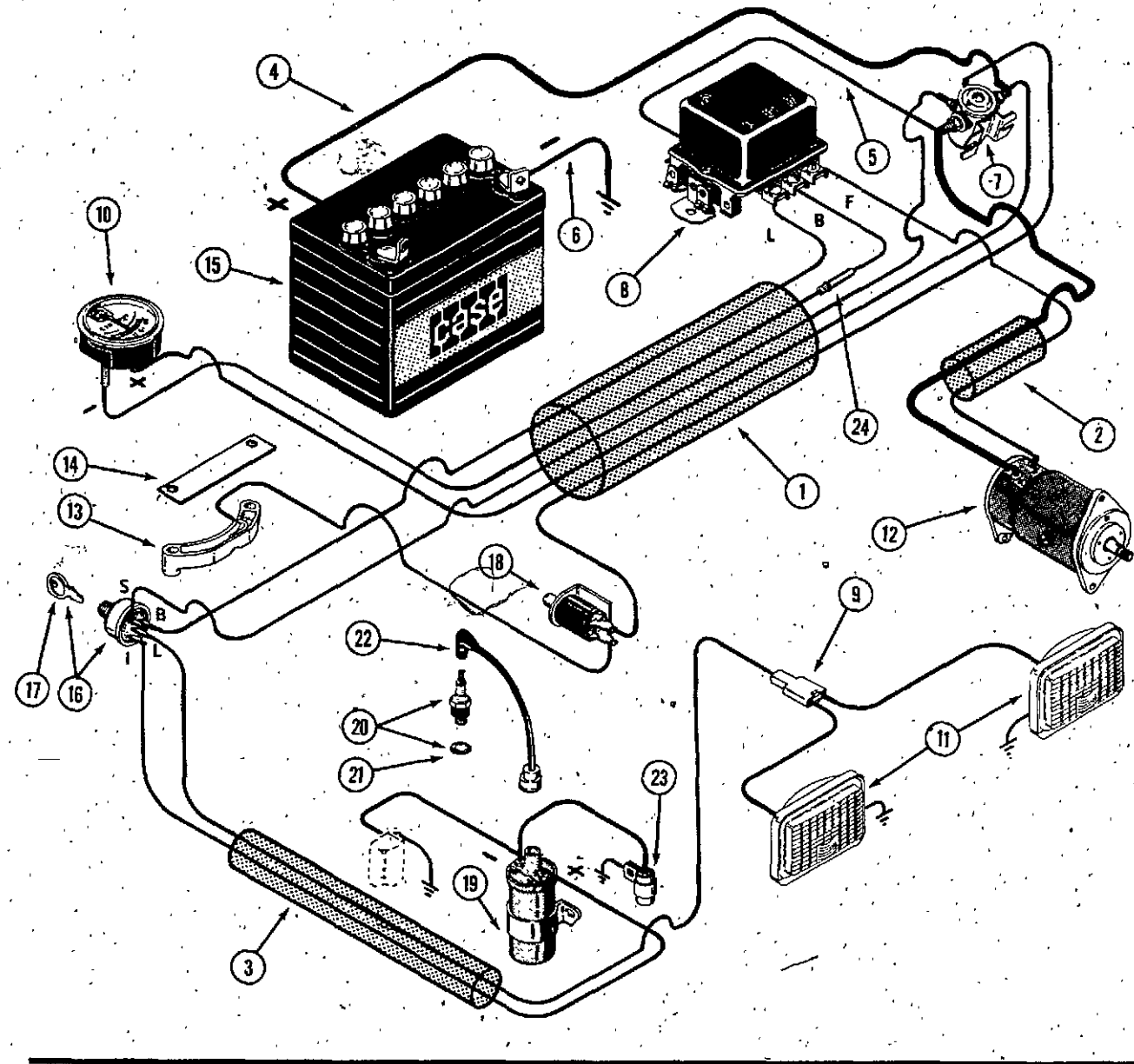
*Bearing retainer gasket and felt seal not required.
 New retainer assembly services all starters.



**A70202 STARTER-GENERATOR
(DELCO NO. 1101970)**

REF.	PART NO.	DESCRIPTION	REQ'D
1	O/L	BOLT - through (includes washer)	2
2	A 72104	FRAME ASSEMBLY - commutator end	1
3	O/L	RING - bearing retainer	1
4	A 45230	BEARING - commutator end, ball	1
5	A 72039	HOLDER KIT - ground brush	1
6	A 72040	HOLDER KIT - insulated brush	1
7	O/L	BRUSH ASSEMBLY - (Delco No. 1946427)	2
8	NLA	ARM - brush pressure	2
9	NLA	SPRING - brush arm	2
10	A 72043	COIL ASSEMBLY - field R.H.	1
11	A 72048	STUD - armature terminal	1
12	NLA	BUSHING - insulated, armature stud	1
13	O/L	WASHER - armature stud	2
14	O/L	NUT - terminal stud #12-24 hex	4
15	O/L	LOCKWASHER - terminal stud #12	4
16	C 28810	WASHER - insulated, field stud	1
17	O/L	COIL ASSEMBLY - field L.H. (Delco No. 1939889)	1
18	NSS	STUD - field terminal (See Ref. 40)	1
19	NSS	BUSHING - insulated, field stud (Order C28809)	1
20	NLA	INSULATOR - field coil	2
21	NLA	SHOE - pole, plain	1
22	NLA	SHOE - pole, notched	1
23	A 72041	ARMATURE	1
24	126- 111	KEY - Woodruff, armature	1
25	O/L	SCREW - pole	2
26	NSS	BODY - starter, generator (Order C25256)	1
27	O/L	SCREW - #10-32 x 1/2" rd. hd.	3
28	192- 18	LOCKWASHER - 3/16" plated	3
29	C 31096	RETAINER ASSEMBLY - bearing	1
30*	NSS	GASKET - bearing retainer (Order C31096)	1
31	C 28823	BEARING - ball, drive end	1
32	A 72046	FRAME ASSEMBLY - drive end	1
33	A 72047	SPACER - pulley	1
34	C 14344	PULLEY - starter, generator drive	1
35	192- 26	LOCKWASHER - 11/16" plated	1
36	O/L	NUT - armature shaft, drive end	1
37	NLA	RETAINER - grease	1
38*	NSS	SEAL - felt (Order C31096)	1
39	NSS	SPACER - armature shaft, inner	1
40	C 28809	KIT - stud (Includes items 16, 18 and 19)	1

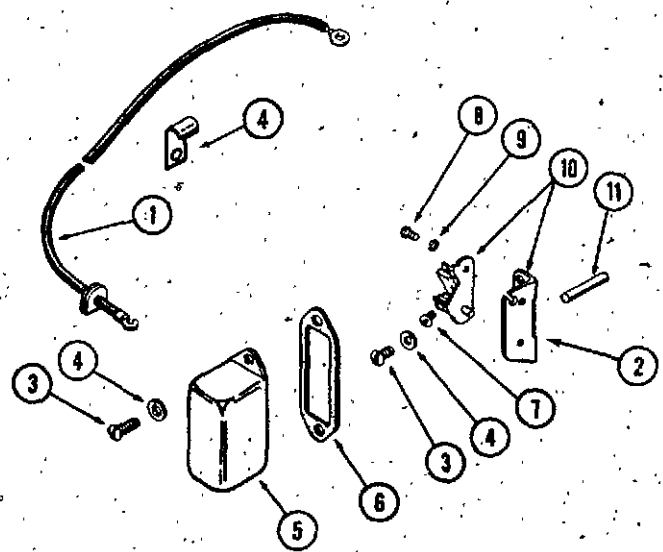
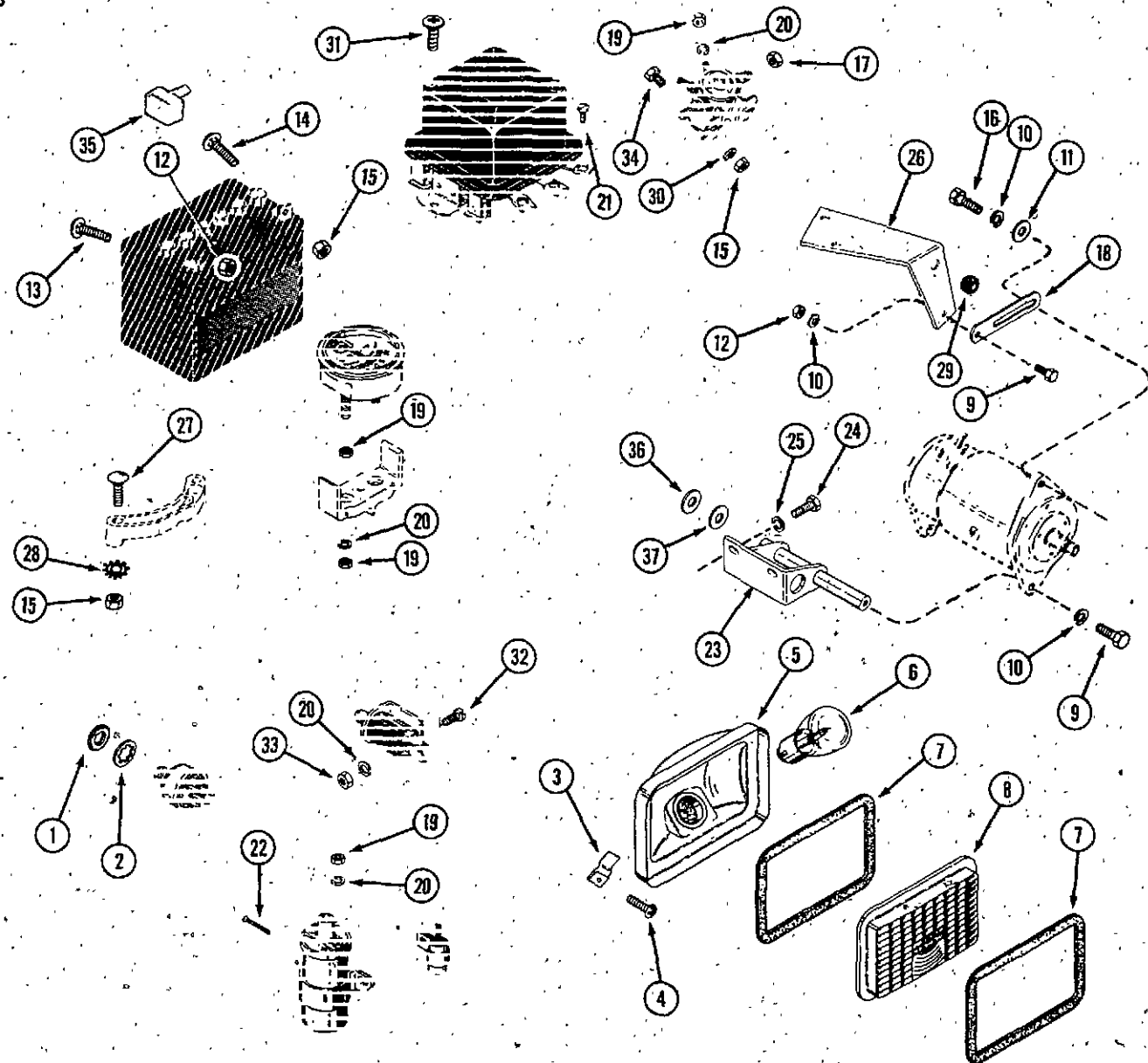
* Bearing retainer gasket and felt seal not required.
New retainer assembly services all starters.



ELECTRICAL SYSTEM

REF.	PART NO.	DESCRIPTION	REQ'D.
1	C 23023	HARNESS - wire	1
2	C 23024	HARNESS - wire	1
3	C 23025	HARNESS - wire	1
4	C 14565	CABLE - battery, positive to solenoid (red, 10-1/2")	1
5	C 23030	WIRE - regulator "A" terminal to solenoid (white, 10")	1
6	C 24814	CABLE - battery, negative (black, 18")	1
7	C 14553	SOLENOID - start, 12 v.	1
8	C 28386	REGULATOR - voltage, 12 v.	1
9	C 14537	CONNECTOR - headlamp	1
10	C 29413	AMMETER - 30 amp	1
11	C 32178	HEADLAMP ASSEMBLY - 12 v. (repairs page 65)	2
12	NSS*	STARTER-GENERATOR - 12 v. (repairs page 59) Delco No. 1101875	1
12	NSS*	STARTER-GENERATOR - 12 v. (repairs page 61) Delco No. 1101970	1
13	C 23002	SWITCH - neutral start	1
14	C 21989	INSULATOR - switch, neutral start	1
15	C 41010	BATTERY - 12 v.	1
16	C 30268	SWITCH ASSEMBLY - ignition (includes key)	1
17	C 32407	KEY - ignition	1
18	C 22765	SWITCH - P.T.O.	1
19	KO 231281	COIL - ignition, 12 v.	1
	C 28694	BRACKET - coil mounting	1
20	C 29738	SPARK PLUG - (includes gasket)	1
21	NSS	GASKET - spark plug	1
22	C 28693	CABLE - high tension	1
23	KO 230722	CONDENSER	1
24	O/L	FUSE - 20 amp. (included in C23023 harness)	1

* Use C25256 remanufactured starter

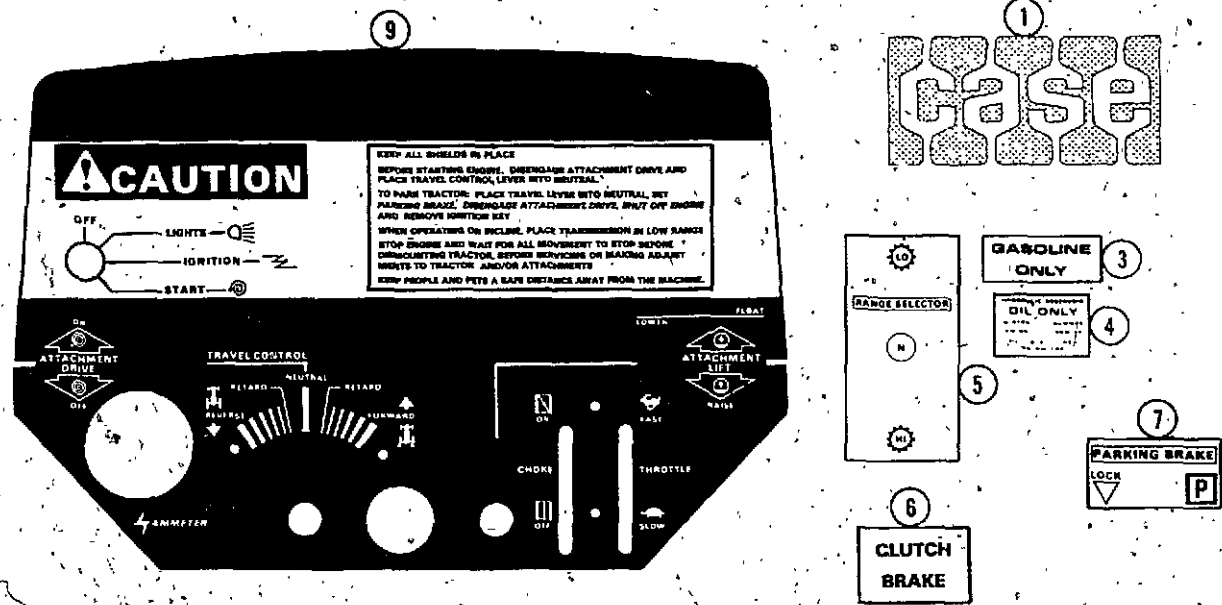


ELECTRICAL SYSTEM HARDWARE

REF.	PART NO.	DESCRIPTION	REQ'D
1	C 23330	NUT - switch mounting	1
2	C 23012	LOCKWASHER - internal tooth	1
3	131- 629	NUT - speed type "U"	4
4	187- 1334	SCREW - #8 x 1/2" self tapping, round head, Phillips	4
	C 32178	HEADLAMP ASSEMBLY	2
5	NSS	RECEPTACLE - headlamp (Order C32178)	1
6	C 28932	BULB - headlamp	1
7	C 14304	GASKET - headlamp	2
8	C 22573	LENS - headlamp	1
9	113- 185	BOLT - 5/16" x 1" N.C. hex, grade 8 (Torque Spec. 24-29 ft. lb)	3
10	192- 20	LOCKWASHER - 5/16" zinc plated	4
11	195- 520	WASHER - 5/16" plain, zinc plated	2
12	129- 102	NUT - 5/16" plain, zinc plated	2
13	111- 202	BOLT - 5/16" x 3/4" N.C. round head, square neck	1
14	111- 108	BOLT - 1/4" x 3/4" N.C. round head, square neck	1
15	129- 101	NUT - 1/4" N.C. hex	5
16	113- 185	BOLT - 5/16" x 1" N.C. hex, zinc plated grade 8	1
17	129- 122	NUT - 5/16" N.F. hex	2
18	C 14599	BRACKET - starter generator adjust	2
19	129- 27	NUT - #10 N.F. hex	8
20	192- 18	LOCKWASHER - #10	8
21	169- 133	SCREW - #8 x 3/8" N.C. fillister head	3
22	O/L	SCREW - #10 x 1-1/2" U.N.F. self tap	1
23	C 18788	SUPPORT - starter generator	1
24	113- 221	BOLT - 3/8" x 3/4" N.C. hex	2
25	192- 21	LOCKWASHER - 3/8"	2
26	NLA	SUPPORT - starter generator adjust	1
27	111- 131	BOLT - 1/4" x 1-1/8" N.C. round head, square neck	2
28	193- 57	LOCKWASHER - 1/4" external tooth	4
29	NLA	GROMMET - wire	1
30	192- 19	LOCKWASHER - 1/4" zinc plated	2
31	173- 296	SCREW - 1/4" - 20 x 1/4" zinc plated	2
32	182- 528	SCREW - #10 - 32 x 1/2" zinc plated, pan head	2
33	129- 37	NUT - #10 - 32 zinc plated	2
34	113- 1	BOLT - 1/4" - 20 x 1/2" hex head, zinc plated	2
35	C 24069	COVER - terminal	1
36	C 24836	WASHER - shim .005	UAR
37	C 24837	WASHER - shim .010	UAR
	C 19521	CLIP - wire, headlamp	1

BREAKER CONTACTS

1	NSS	LEAD - breaker contact (order from local supplier)	1
2	NSS	BRACKET - breaker contacts	1
3	182- 516	SCREW - #10 x 3/8" round head, zinc plated	4
4	KO 275182	CLIP - wire	1
5	C 28695	COVER - breaker contact	1
6	C 26518	GASKET - cover	1
7	O/L	SCREW - #6 x 3/8" self-tapping	1
8	O/L	SCREW - #8 x 1/4" N.C. round head	1
9	O/L	LOCKWASHER - #8 internal tooth	1
10	NSS	POINT SET - breaker contact assembly (Use C27439, C27440)	1
11	C 27440	ROD - breaker contact push	1

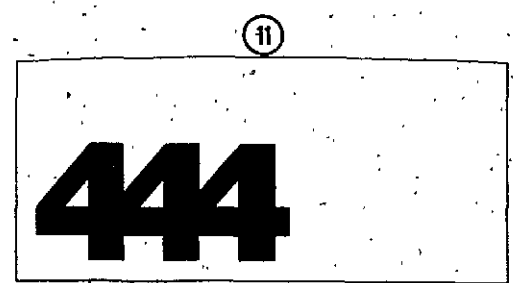
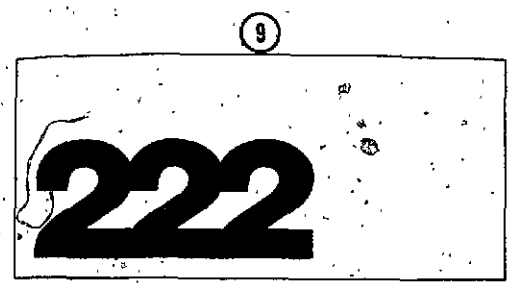
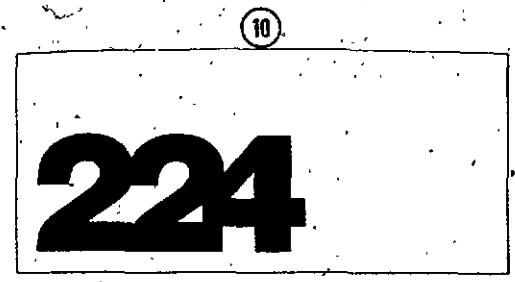
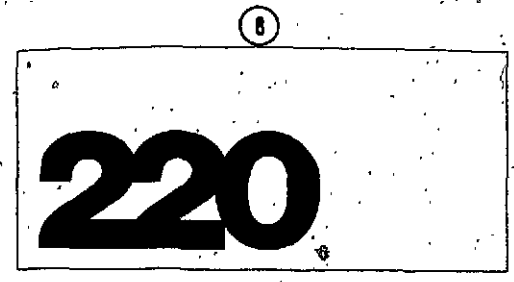
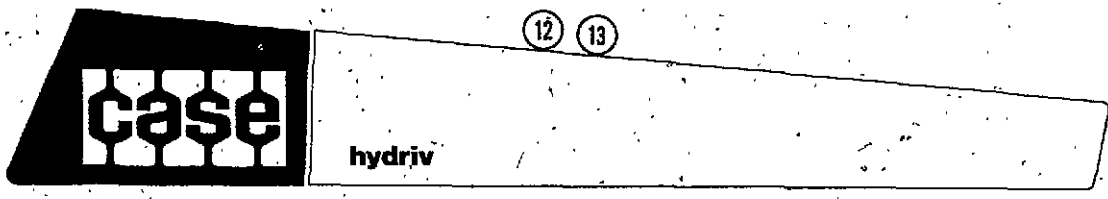
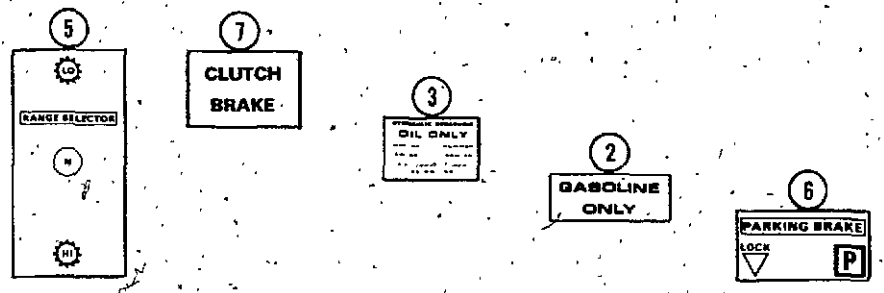
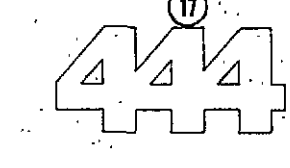
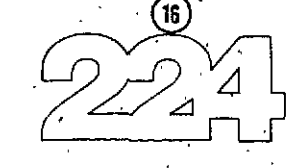
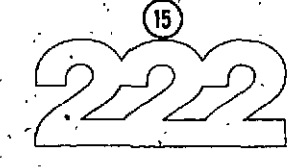
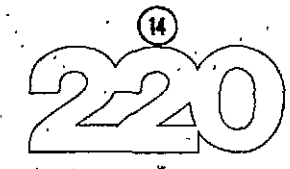
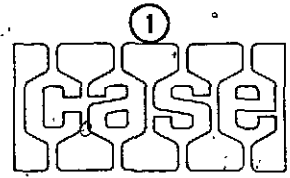
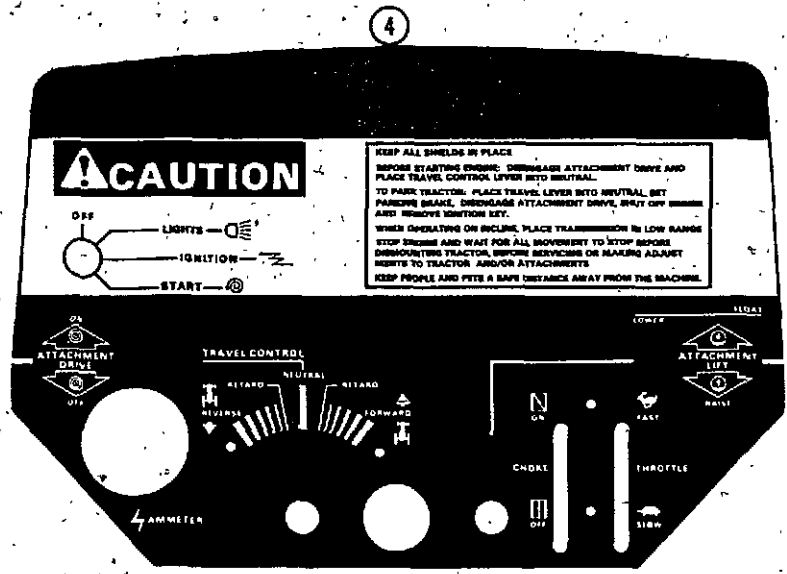


DECALS

220 used prior to S/N 9722422
 222 used prior to S/N 9724053
 224 used prior to S/N 9725192
 444 used prior to S/N 9726789

REF.	PART NO.	DESCRIPTION	REQ'D
1	O/L	DECAL - "CASE" (Case No. 321-1423)	1
3	C 29031	DECAL - gasoline	1
4	C 23209	DECAL - hydraulic reservoir	1
5	C 33589	DECAL - shift, range	1
6	C 26932	DECAL - "Clutch-Brake"	1
7	C 27481	DECAL - brake	1
8	NSS	DECAL - hood 444 L.H., hydraulic drive (use C30859, C30866)	1
9	321- 3585	DECAL - instrument panel	1
10	NSS	DECAL - hood 220 R.H., (use C30860, C30862)	1
11	NSS	DECAL - hood 220 L.H., hydraulic drive (use C30859, C30862)	1
12	NSS	DECAL - hood 222 R.H., (use C30860, C30863)	1
13	NSS	DECAL - hood 222 L.H., hydraulic drive (use C30859, C30863)	1
14	NSS	DECAL - hood 224 R.H., (use C30860, C30864)	1
15	NSS	DECAL - hood 224 L.H., hydraulic drive (use C30859, C30864)	1
16	NSS	DECAL - hood 444 R.H., (use C30860, C30866)	1



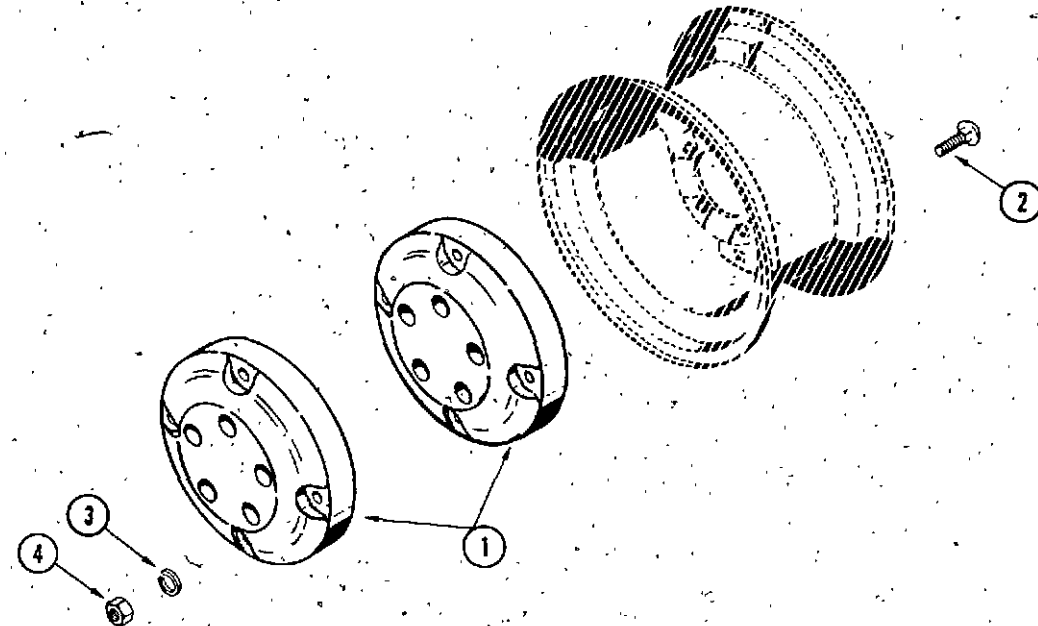


DECALS (English)

220 used S/N 9722422 and after
 222 used S/N 9724053 and after
 224 used S/N 9725192 and after
 444 used S/N 9726789 and after

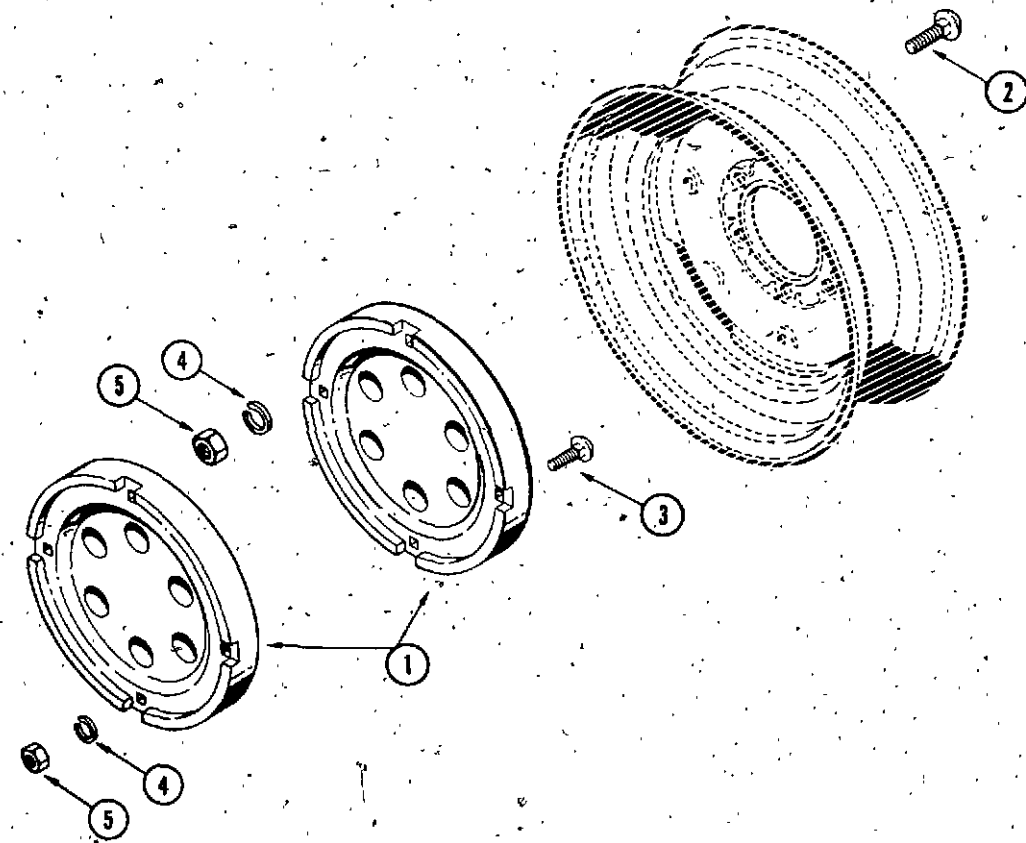
REF.	PART NO.	DESCRIPTION	REQ'D
1	O/L	DECAL - "CASE", fender (Case No. 321-2677)	1
2	C 29031	DECAL - gasoline	1
3	C 23209	DECAL - hydraulic reservoir	1
4	321- 3585	DECAL - instrument panel	1
5	C 33589	DECAL - shift range	1
6	NSS	DECAL - parking brake (use C27481)	1
7	NSS	DECAL - clutch, brake (use C27481)	1
8	321- 4162	DECAL - hood top, 220	1
9	NLA	DECAL - hood top, 222	1
10	321- 4164	DECAL - hood top, 224	1
11	321- 4165	DECAL - hood top, 444	1
12	NLA	DECAL - hood, R.H. (shown)	1
13	NLA	DECAL - hood, L.H.	1
14	NLA	DECAL - fender, "220"	1
15	321- 4150	DECAL - fender, "222"	1
16	321- 4151	DECAL - fender, "224"	1
17	NLA	DECAL - fender, "444"	1

D8 WHEEL WEIGHTS - MODELS 220, 222 AND 224

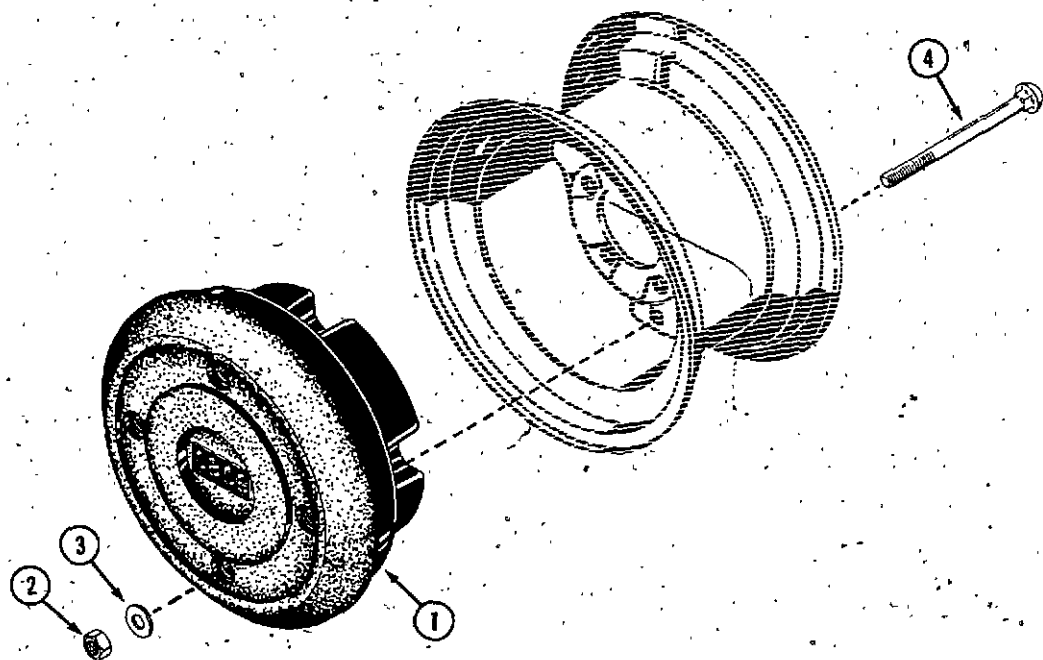


REF.	PART NO.	DESCRIPTION	REQ'D
1	NSS	WEIGHT - wheel 12" (Order as Machinery Item)	4
2	O/L	BOLT - 1/2" x 3-3/4" round head, square neck, NC, zinc plated	8
3	192- 23	LOCKWASHER - 1/2" zinc plated	8
4	129- 105	NUT - 1/2" NC hex	8

D10 WHEEL WEIGHTS - MODEL 444



1	NSS	WEIGHT - wheel 15" and 16" (Order as Machinery Item)	4
2	O/L	BOLT - 1/2 x 2-1/2" round head, square neck, NC, zinc plated	4
3	111- 531	BOLT - 1/2 x 2-3/4" round head, square neck, NC, zinc plated	4
4	92- 8	LOCKWASHER - 1/2" zinc plated	8
5	129- 105	NUT - 1/2" NC hex	8

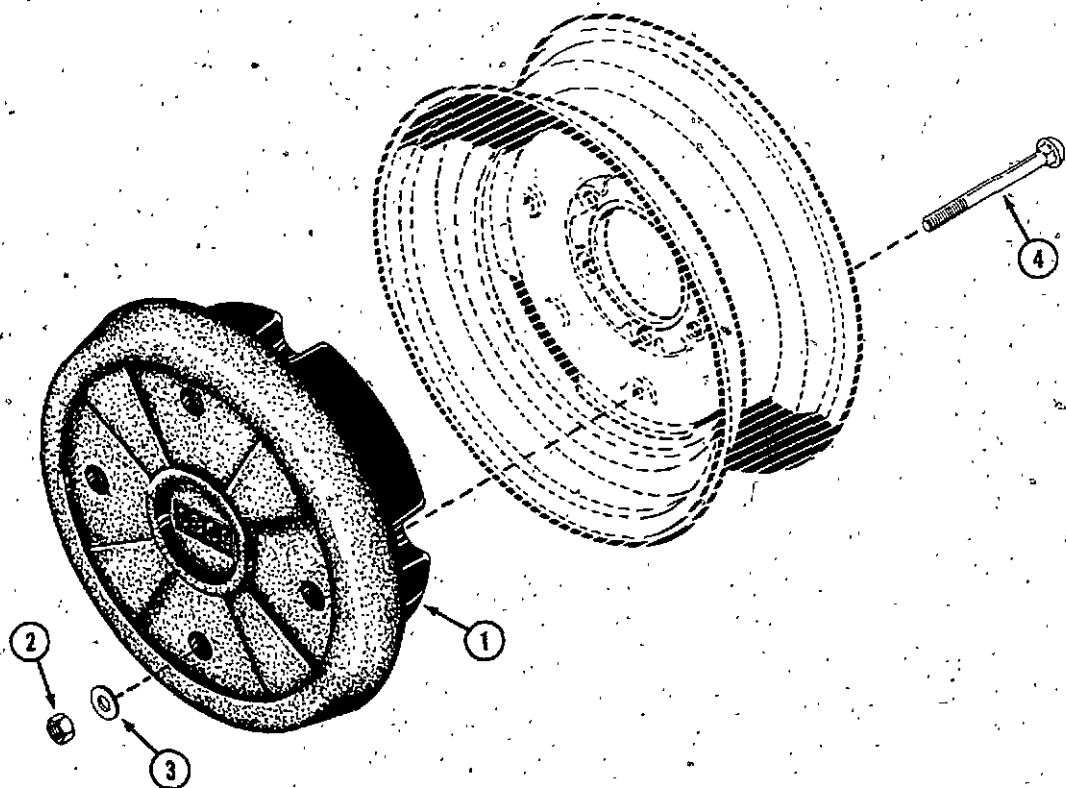


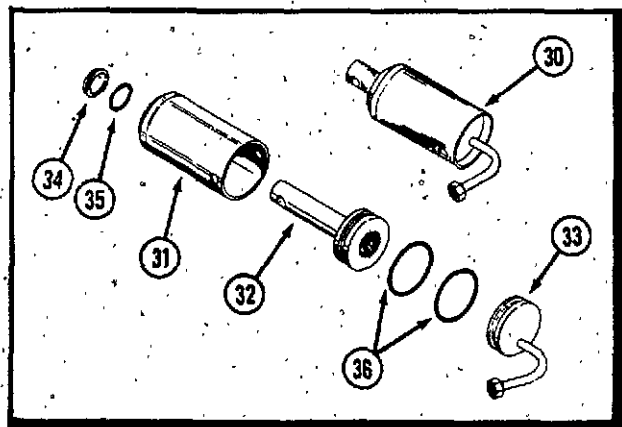
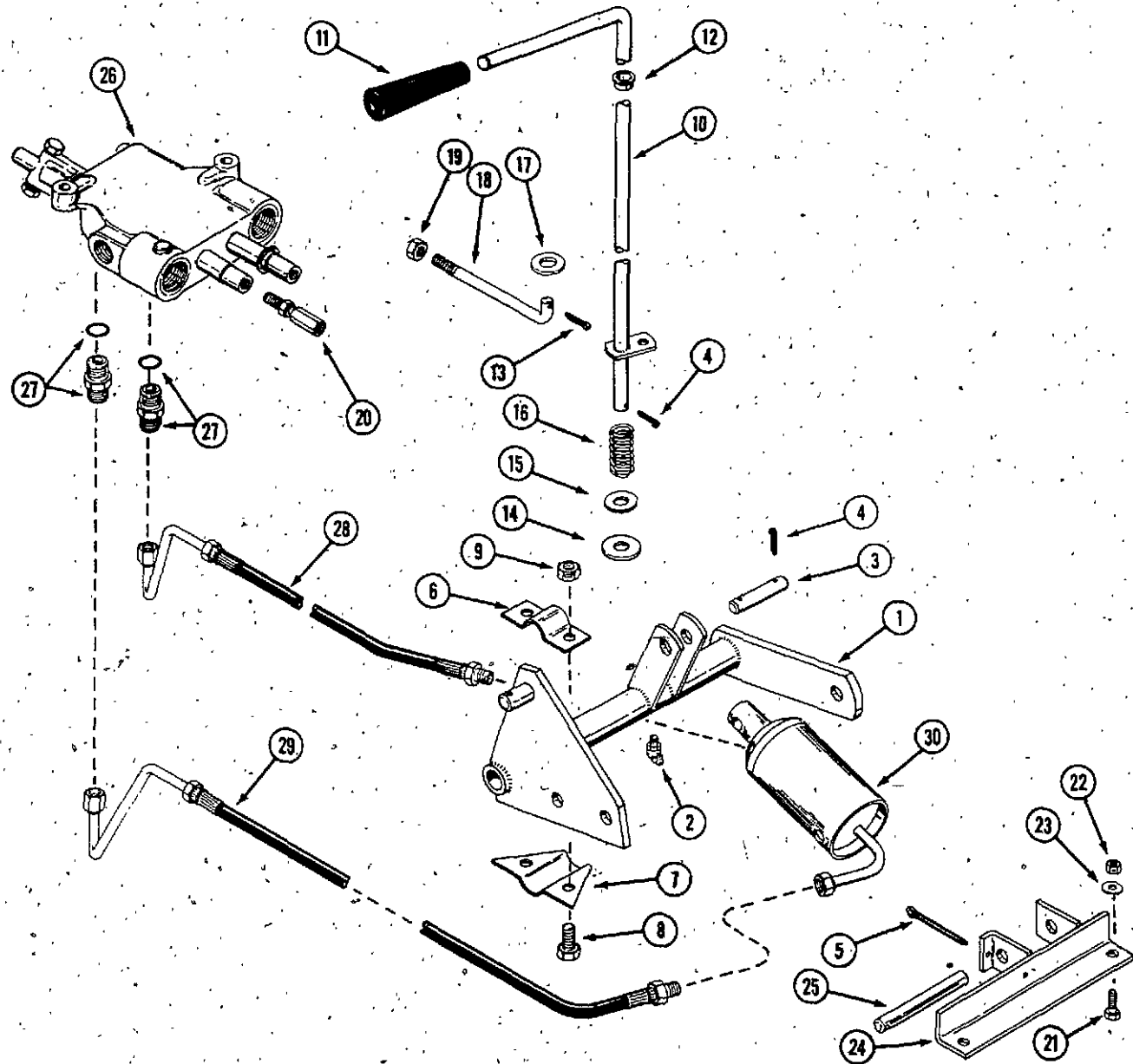
K8 WHEEL WEIGHTS — MODEL 220, 222, AND 224

REF.	PART NO.	DESCRIPTION	REQ'D
1	NSS	WEIGHT - wheel 55 lb. (Order as Machinery Item)	2
2	129- 105	NUT - 1/2" NC hex	8
3	195- 533	WASHER - 1/2"	8
4	111- 521	BOLT - 1/2" x 7" Rd. head Sq. neck	8

K10 WHEEL WEIGHTS — MODEL 444

1	NSS	WEIGHT - wheel 75 lb. (Order as Machinery Item)	2
2	129- 105	NUT - 1/2" NC hex	8
3	195- 533	WASHER - 1/2"	8
4	111- 525	BOLT - 1/2" x 6" Rd. head Sq. neck	8

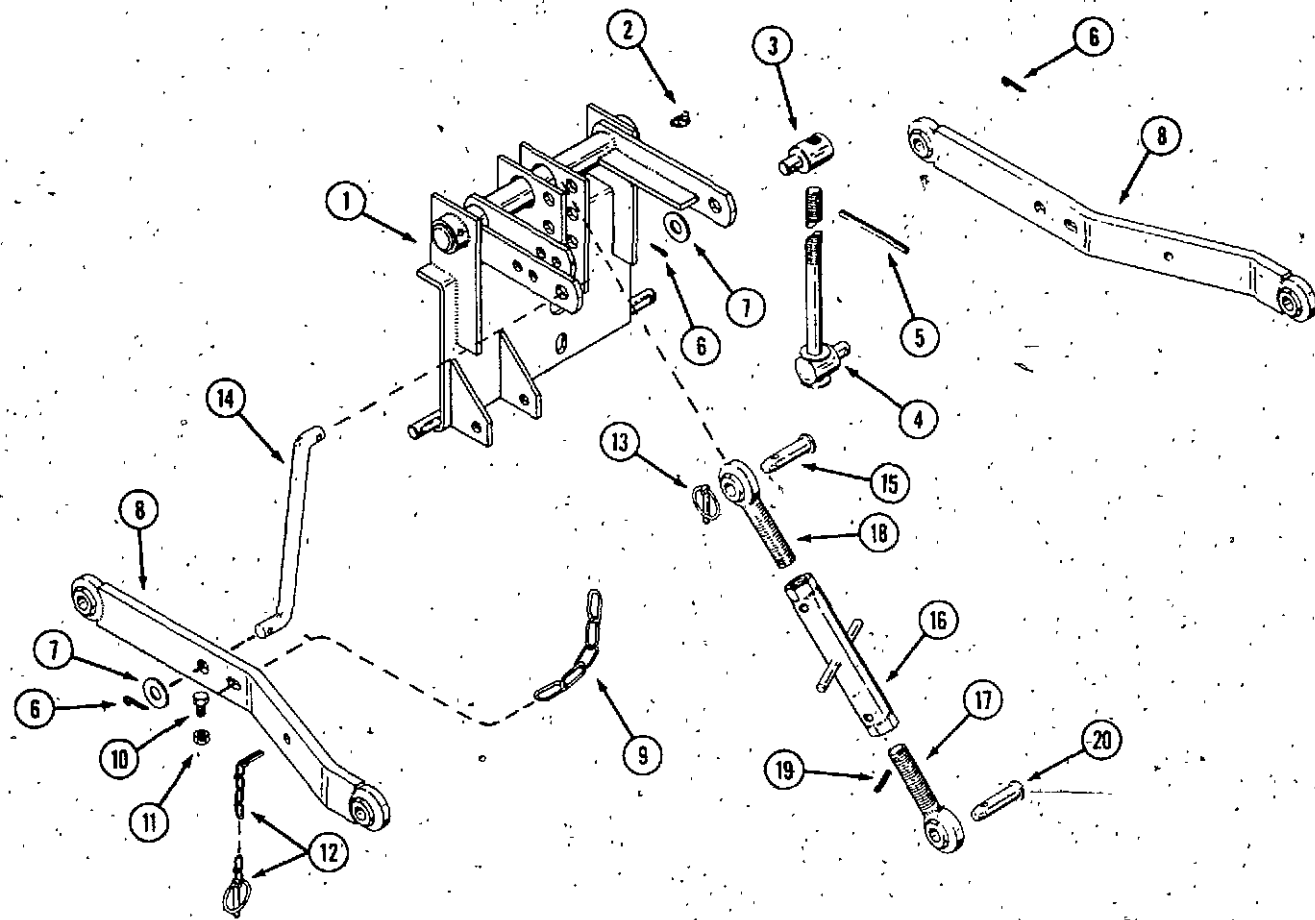




MODEL J30 HYDRAULIC LIFT

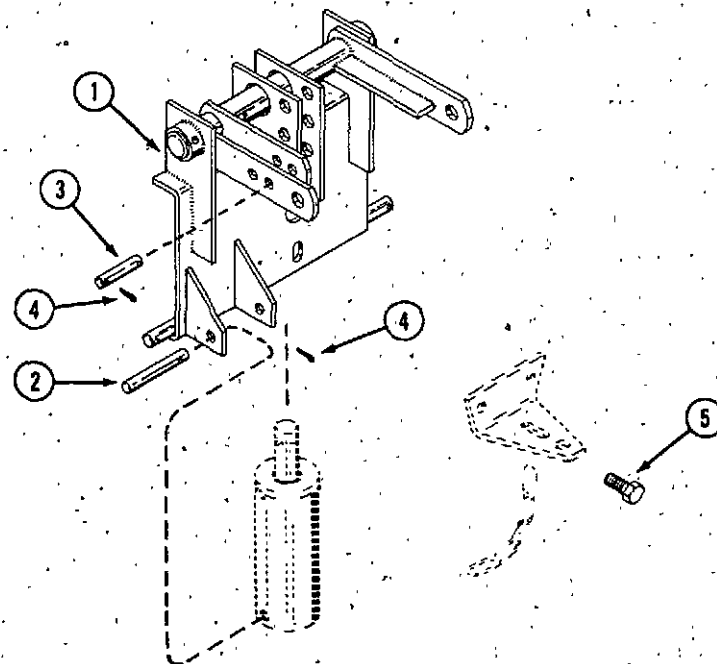
REF.	PART NO.	DESCRIPTION	REQ'D
1	C 32259	CROSS SHAFT ASSEMBLY	1
2	219- 404	FITTING - lube	1
3	C 18251	PIN - cylinder to lever	1
4	132- 310	PIN - cotter 1/8" x 1"	3
5	132- 361	PIN - cotter 1/8" x 2-1/2"	1
6	C 17249	BRACKET - mounting, top	2
7	C 17250	BRACKET - mounting, bottom	2
8	113- 207	BOLT - 3/8" x 1" NC hex	4
9	131- 1181	NUT - 3/8" NC hex	4
10	C 29408	LEVER - lift control	1
11	C 28237	KNOB - control lever	1
12	C 27593	BUSHING - lift lever	1
13	132- 320	PIN - cotter 3/32" x 3/4"	1
14	195- 533	WASHER - 1/2"	1
15	C 21518	WASHER - nylon	1
16	C 27822	SPRING - control lever	1
17	195- 521	WASHER - 5/16"	1
18	C 18742	ROD - control	1
19	129- 122	NUT - 5/16 NF hex	1
20	C 19025	BALL JOINT	1
21	113- 207	BOLT - 3/8" x 1" NC hex	2
22	131- 1181	LOCKNUT - 3/8" NC hex	2
23	195- 104	WASHER - 3/8" x 1-1/8" OD	2
24	NSS	BRACKET - cylinder (use C33138, C26188)	1
25	C 26188	PIN - cylinder foot	1
26	C 27217	VALVE - hydraulic, 2 spool	1
27	218- 5056	FITTING - valve (includes 218-5004 "O" ring)	2
28	NSS	HOSE - short (use C31682, 218-1093)	1
29	C 17734	HOSE - long	1
30	NSS	CYLINDER - lift (use C26493, C30049)	1
31	NSS	BODY - cylinder	1
32	NSS	ROD AND PISTON ASSEMBLY	1
33	NSS	FOOT - cylinder	1
34	C 14970	SEAL	1
35	C 28487	"O" RING	1
36	C 28697	"O" RING	2
	C 13106	COVER - lube fitting	1

**H26 THREE POINT HITCH 444
FRAME, LIFT RODS AND ARMS**

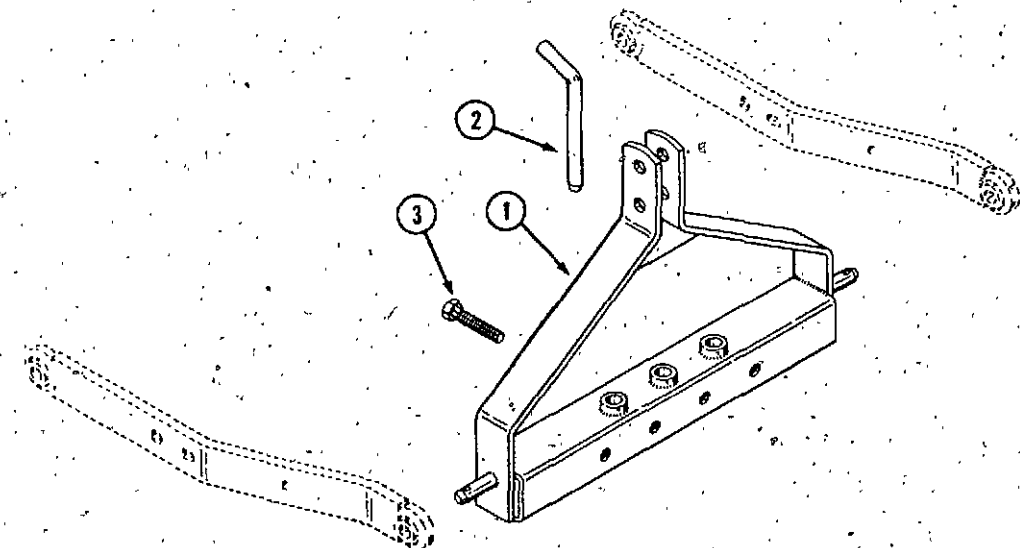
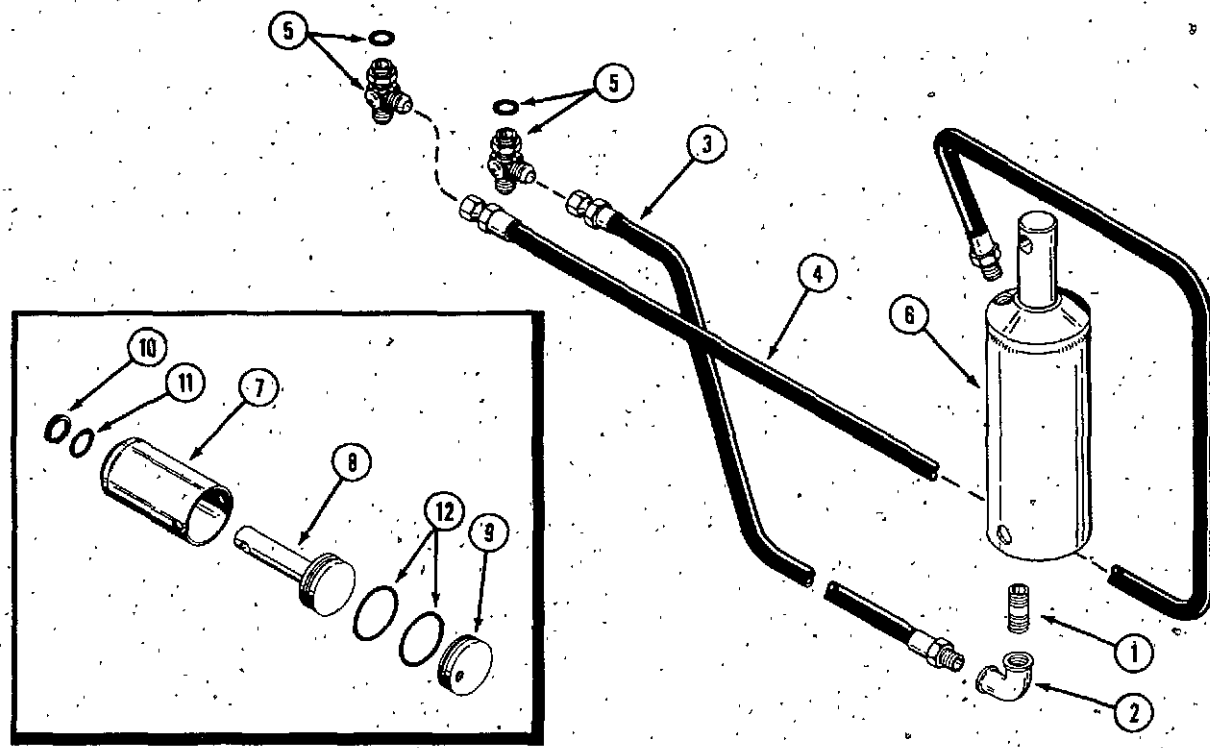


REF.	PART NO.	DESCRIPTION	REQ'D
1	C 19740	HITCH PLATE ASSEMBLY	1
2	219- 405	FITTING - lube	2
	C 24447	ROD ASSEMBLY	1
3	C 14722	NUT - lift rod	1
4	C 14724	ROD - R.H. lift	1
5	138- 308	PIN - roll 1/4 x 3"	1
6	132- 91	PIN - cotter 3/16 x 1"	6
7	195- 541	WASHER - plain 5/8"	4
8	C 14715	ARM - lift	2
9	C 14991	CHAIN - stay 19 links	1
10	113- 118	BOLT - 5/16 x 5/8" hex, zinc plated	2
11	131- 176	NUT - lock 5/16" NC hex	2
12	C 28985	PIN - klik	2
13	C 28222	PIN - klik	3
14	C 14725	ROD - lift L.H.	1
15	C 14717	PIN - clevis	1
	NSS	LINK ASSEMBLY	1
16	C 14703	CENTER TUBE ASSEMBLY	1
17	C 14709	BALL END ASSEMBLY R.H. THREAD	1
18	C 32427	BALL END ASSEMBLY L.H. THREAD	1
19	138- 59	PIN - roll 1/8" x 7/8"	2
20	C 14717	PIN - clevis 5/8" x 3"	1

CYLINDER AND DRAWBAR MOUNTING



1	C 19740	HITCH PLATE ASSEMBLY	1
2	C 26188	PIN - lower cylinder mounting	1
3	C 14976	PIN - upper cylinder mounting	1
4	132- 310	PIN - cotter 1/8" x 1"	3
5	113- 417	BOLT - 1/2" x 1-1/4" NC, hex, zinc plated	2



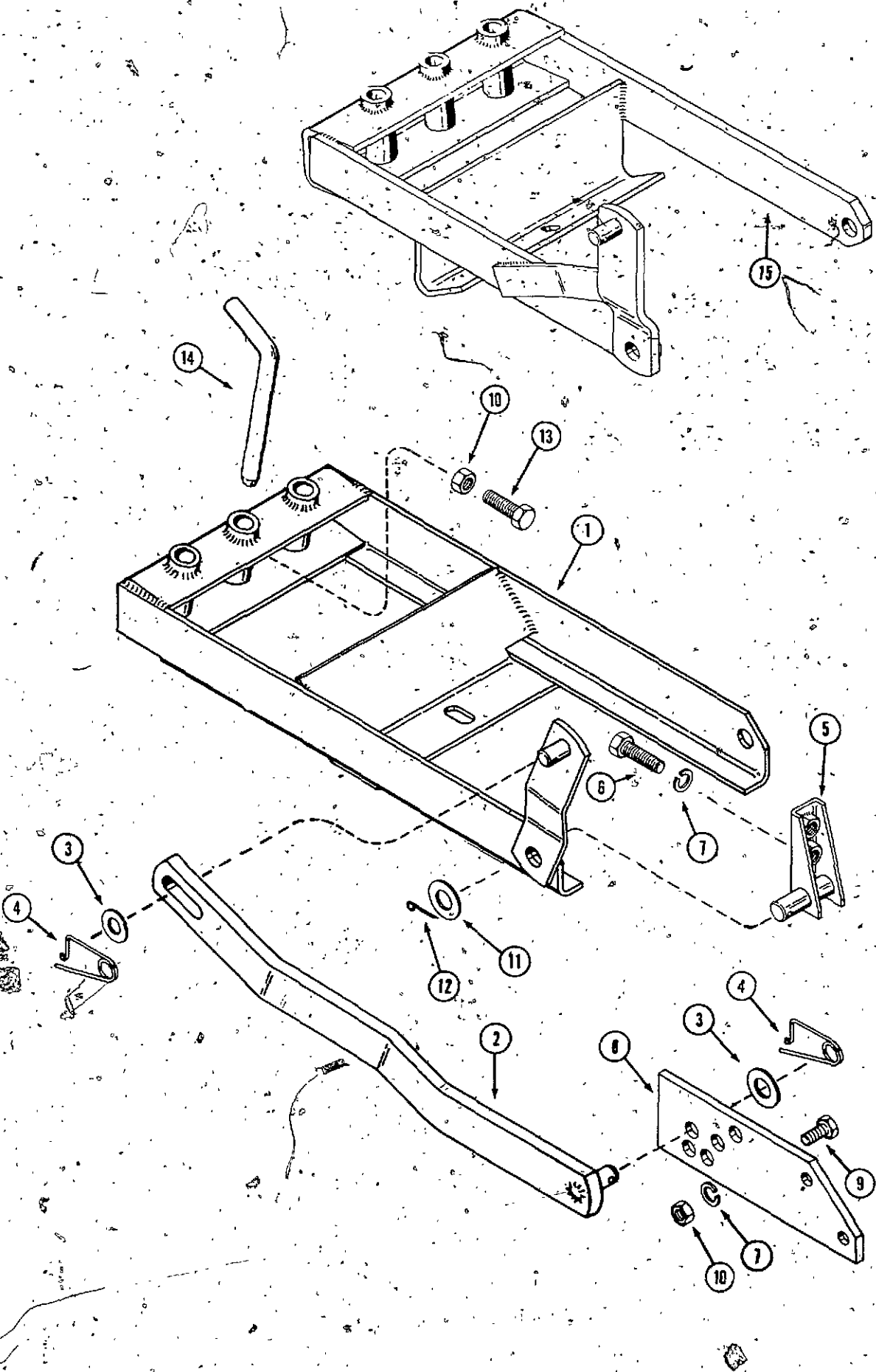
**MODEL H26 THREE POINT HITCH AND
MODEL F27 HITCH ADAPTER
HYDRAULIC CONNECTIONS AND COMPONENTS**

REF.	PART NO.	DESCRIPTION	REQ'D
1	221- 1139	NIPPLE - 1/4 x 3"	1
2	221- 1375	ELBOW - 90°	1
3	C 25369	HOSE - hydraulic short	1
4	C 25368	HOSE - hydraulic long	1
5	218- 5291	FITTING - tee (Includes 218-5004 "O" ring)	2
6	NSS	CYLINDER ASSEMBLY - (use C26494, C26188)	1
7	C 19476	BODY - cylinder	1
8	C 19469	ROD AND PISTON ASSEMBLY	1
9	NSS	FOOT - cylinder	1
10	C 14970	SEAL - wiper	1
11	C 28487	"O" RING	1
12	C 28697	"O" RING	2

MODEL F-27 HITCH ADAPTER

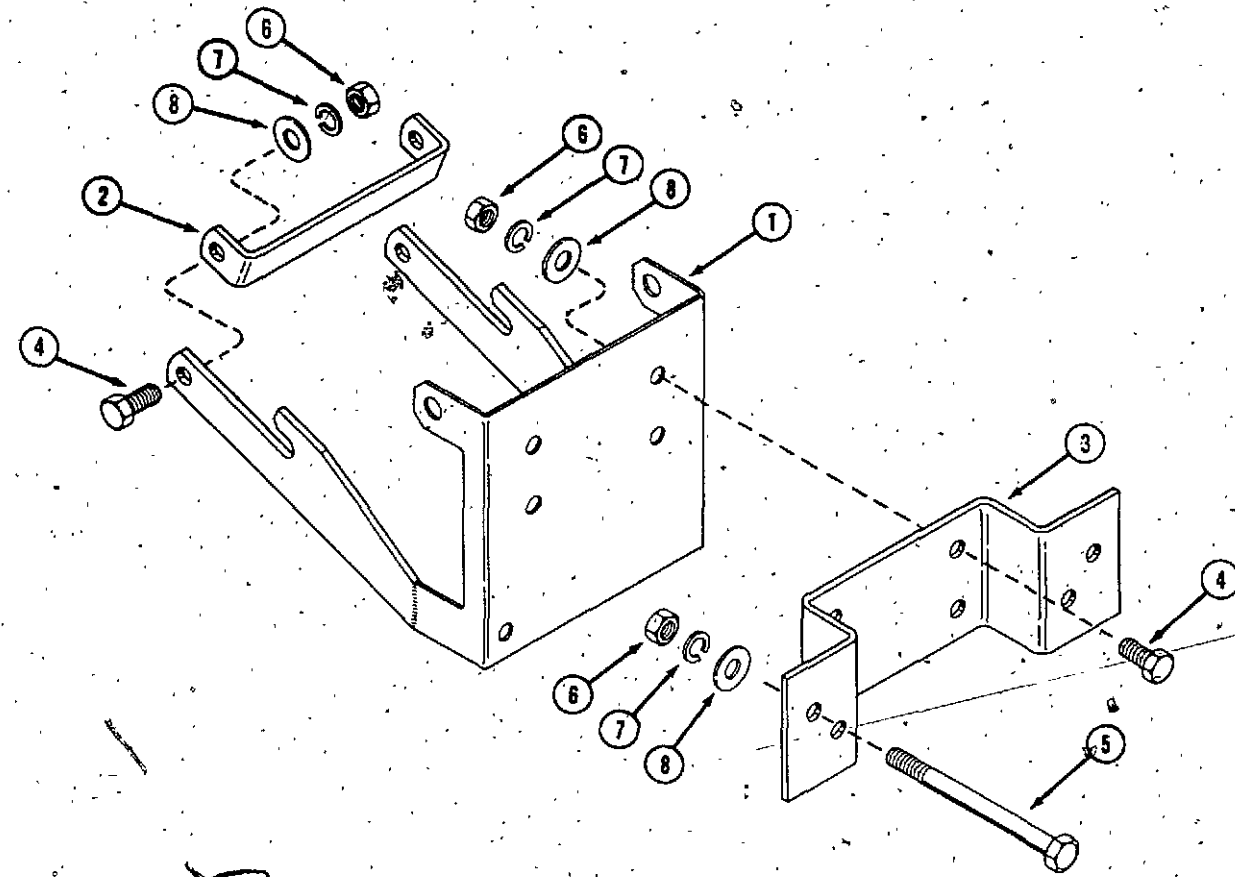
2	NSS	BRACKET - hitch adapter	1
3	C 14568	PIN - drawbar	1
	113- 425	BOLT - 1/2" x 3" NC hex, zinc plated	4

MODEL H22 AND J24 SLEEVE HITCH



REF.	PART NO.	DESCRIPTION	REQ'D
1	NSS	HITCH FRAME ASSEMBLY (444) (J24)	1
2	C 14457	ARM - lift	1
3	195- 541	WASHER - plain 21/32"	2
4	C 10898	PIN - safety	2
5	C 14459	BRACKET - hitch mounting R.H. (shown)	1
5	C 25789	BRACKET - hitch mounting L.H.	1
6	113- 2400	BOLT - 1/2" x 1-3/8" hex, zinc plated	4
7	192- 23	LOCKWASHER - 1/2" zinc plated	6
8	NSS	PLATE - lift lever (use C24839)	1
9	113- 417	BOLT - 1/2" x 1-1/4" NC hex, zinc plated	2
10	129- 105	NUT - 1/2" NC hex, zinc plated	4
11	195- 545	WASHER - plain 3/4" zinc plated	2
12	132- 306	PIN - cotter 3/16 x 1-3/4"	2
13	22- 844	BOLT - 1/2 x 2-3/4" NC hex, zinc plated	2
14	C 14568	PIN - drawbar	1
15	NSS	HITCH FRAME ASSEMBLY - (220, 222 and 224) (H22) shown (use C23707)	1

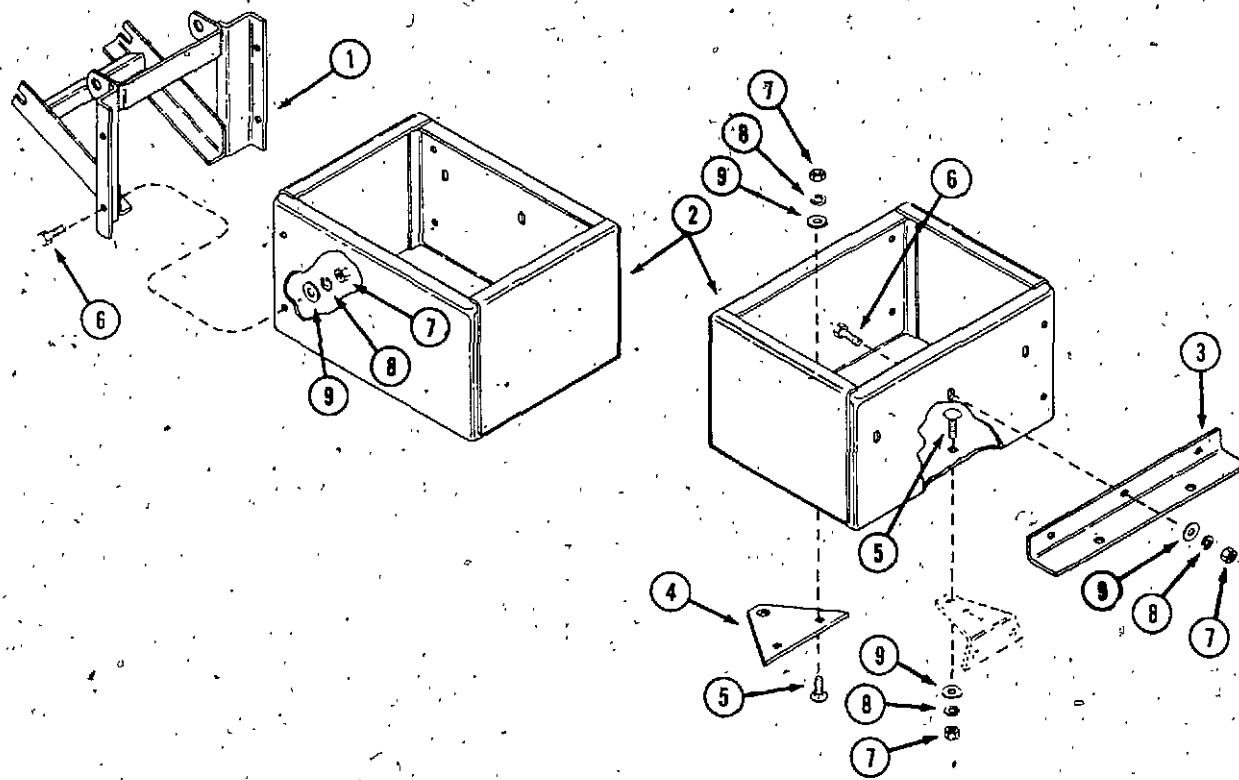
MODEL H18 AND K18 FRONT END WEIGHT BRACKETS



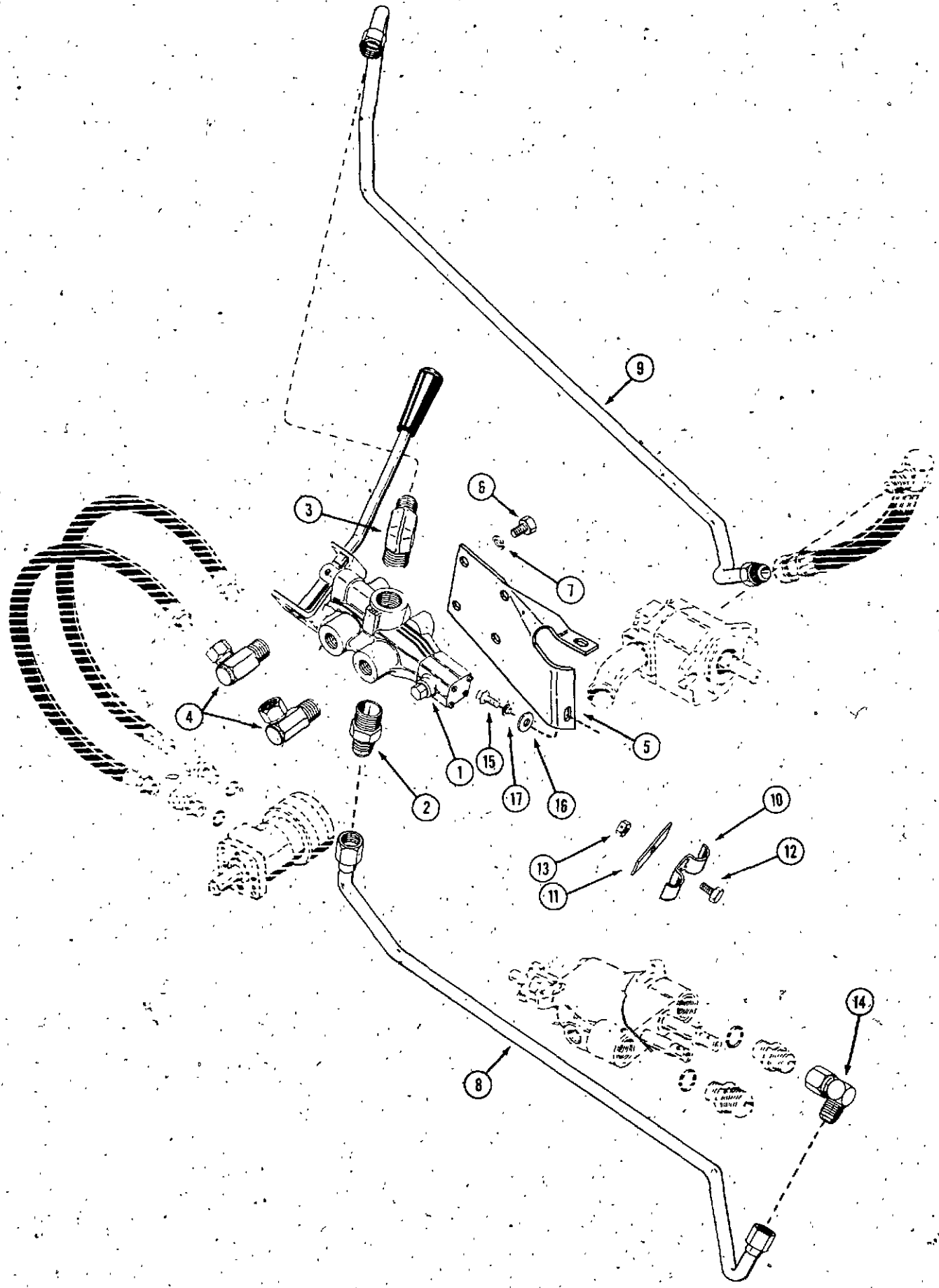
REF.	PART NO.	DESCRIPTION	REQ'D
1	C 16581	BRACKET - mounting	1
2	C 17161	BRACE - rear	1
3	C 17162	BRACKET - weight mounting	1
4	113- 417	BOLT - 1/2" x 1-1/4" NC hex, zinc plated	6
5	113- 443	BOLT - 1/2 x 6-1/2" NC hex (H18)	2
6	25- 108	NUT - 1/2" NC hex, zinc plated	8
7	192- 23	LOCKWASHER - 1/2" zinc plate	8
8	195- 533	WASHER - 1/2"	8

MODEL H13 WEIGHT BOX

1	C 17859	FRAME - weight box	1
2	C 17863	BOX - weight	1
3	C 17860	SUPPORT - weight box	1
4	C 17636	PLATE - hitch	1
5	111- 371	BOLT - 3/8" x 1" round head, square neck	3
6	113- 207	BOLT - 3/8" x 1" NC hex	4
7	129- 103	NUT - 3/8" NC hex	7
8	192- 21	LOCKWASHER - 3/8"	7
9	195- 525	WASHER - 3/8"	7



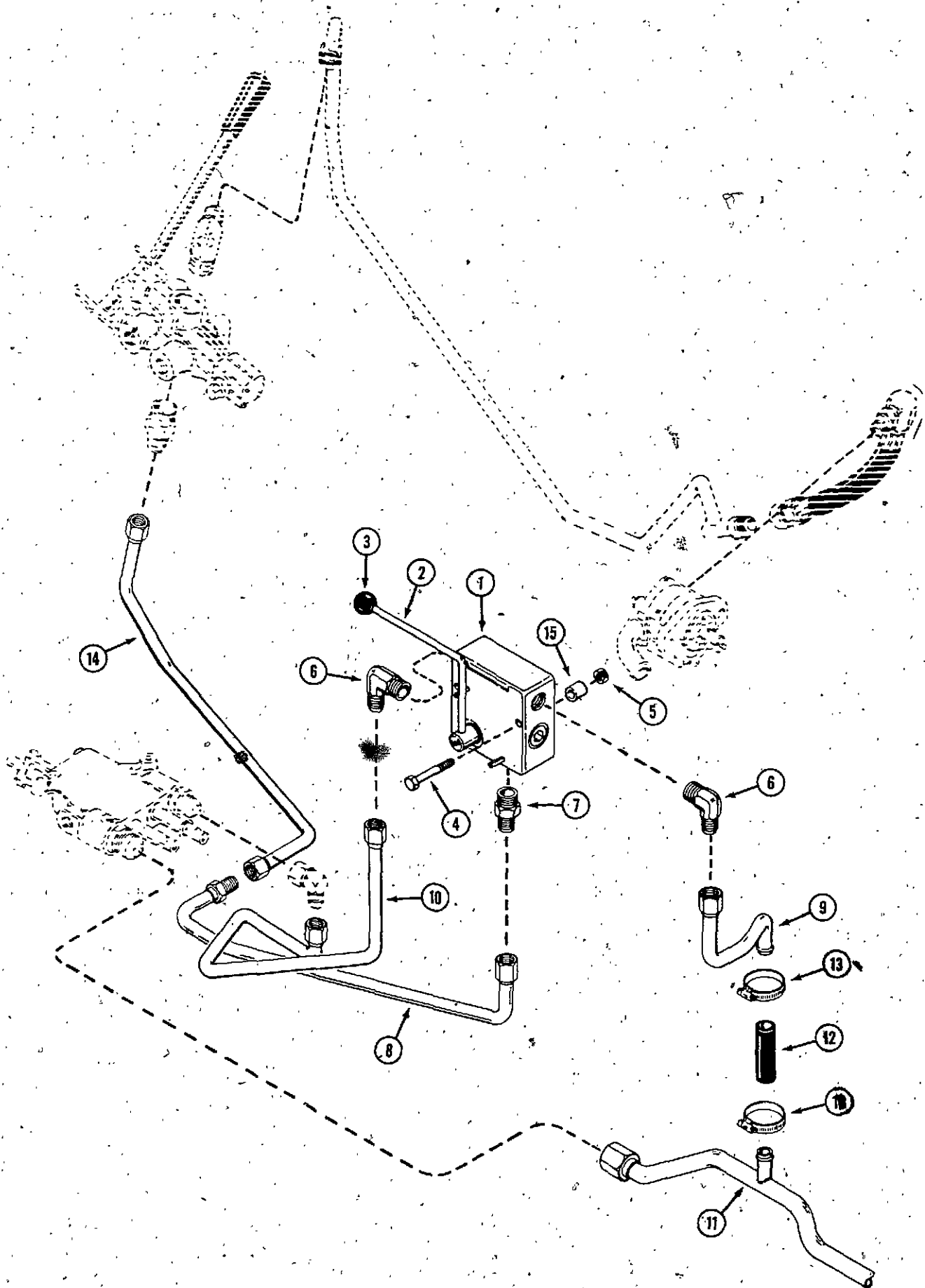
J-17 HYDRAULIC PTO KIT

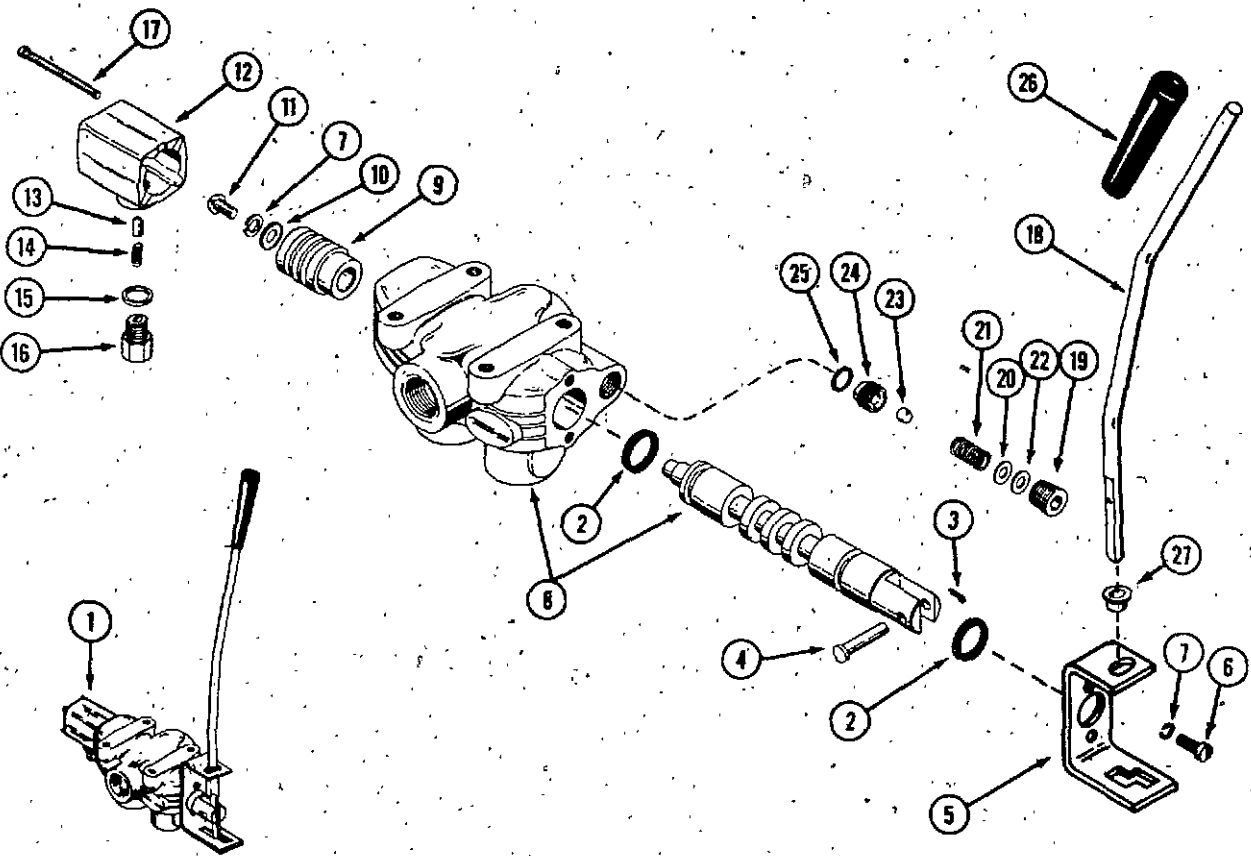


REF.	PART NO.	DESCRIPTION	REQ'D
1	C 30044	VALVE - PTO control	1
2	218- 457	FITTING - straight 3/4" NPT x 5/8" tube	1
3	218- 494	FITTING - elbow 90° 3/4" NPT x 5/8" tube	1
4	218- 927	FITTING - elbow 90° 1/2" NPT x 1/2" female NPSM swivel	2
5	C 23337	BRACKET - valve mounting	1
6	113- 206	BOLT - 3/8" hex NC x 3/4"	4
7	192- 21	LOCKWASHER - 3/8"	4
8	C 23888	TUBE - PTO valve to travel control valve	1
9	C 23962	TUBE - pump to PTO valve	1
10	C 15389	CLAMP - double tubing (early production)	1
11	NLA	BAR - clamp (early production)	1
12	113- 102	BOLT - 5/16" hex NC x 3/4" (early production)	1
13	129- 102	LOCKNUT - 5/16" NC hex (early production)	1
14	218- 5232	FITTING - 90° swivel elbow 37° x 37° flare 3/4" NPT x 5/8" tube	1
15	113- 103	BOLT - 5/16" x 1" NC hex (fender mtg.)	3
16	195- 521	WASHER - 5/16" (fender mtg.)	3
17	192- 20	LOCKWASHER - 5/16" (fender mtg.)	3

MODEL L-19 FLOW CONTROL VALVE KIT

REF.	PART NO.	DESCRIPTION	REQ'D
1	C 23618	VALVE - flow control	1
2	C 26848	LEVER - valve	1
3	C 28251	KNOB - lever	1
4	113- 12	BOLT - 1/4" x 2-1/2" NC hex	2
5	131- 1180	NUT - lock 1/4" NC hex	2
6	218- 485	FITTING - elbow 90° 1/2" NPT	2
7	C 45431	FITTING - straight 1/2" NPT	1
8	C 25390	TUBE - flow control valve to tube	1
9	C 23407	TUBE - bypass to return line	1
10	C 23600	TUBE - valve to tractor valve	1
11	C 26181	TUBE - heat exchanger	1
12	C 18721	HOSE - return	1
13	214- 6	CLAMP - hose	2
14	C 23879	TUBE - PTO valve to tube	1
15	C 21592	SPACER	2
	C 18719	DECAL - valve, "slow-fast"	1
	C 28217	"O" RING - shaft	2
	C 28710	SNAP RING - shaft	2





J-17 HYDRAULIC PTO VALVE

REF.	PART NO.	DESCRIPTION	REQ'D
1	C 30044	VALVE - control	1
2	C 11891	SEAL - U-cup	2
3	O/L	PIN - cotter 1/16" x 1/2"	1
4	C 28875	PIN - handle	1
5	C 19422	BRACKET - handle	1
6	71- 410	SCREW - 1/4" x 5/8" NC fillister head	2
7	192- 19	LOCKWASHER - 1/4"	3
8	NSS	BODY AND SPOOL ASSEMBLY (Order C18281)	1
9	C 11895	ADAPTER - spool	1
10	95- 4	WASHER - plain 1/4"	1
11	75- 48	SCREW - 1/4" x 1/2" rd. hd. machine	1
12	C 11893	BONNET - detent	1
13	C 11901	PIN - detent	1
14	C 11892	SPRING - detent	1
15	C 11886	WASHER - detent spring	1
16	NLA	CAP - detent	1
17	169- 88	SCREW - bonnet #8-32 x 2" fillister head	4
18	C 19423	LEVER - valve	1
19	221- 842	PLUG - relief 3/8" NPT	1
20	C 28700	SHIM - .010" thick	UAR
21	C 28716	SPRING - relief	1
22	C 28698	SHIM - .020" thick	UAR
23	211- 11	BALL - relief 3/8"	1
24	NLA	SEAT - relief	1
25	C 28696	"O" RING - relief seat	1
26	C 28237	KNOB - hand throttle	1
27	C 26266	BUSHING - nylon	1

NUMERICAL INDEX

PART NO.	PAGE NO.	REF. NO.	PART NO.	PAGE NO.	REF. NO.	PART NO.	PAGE NO.	REF. NO.
A30064	45	10	C14201	43	7	C15735	55	8
A45230	65	4	C14222	49	39	C15737	55	10
A70062	45	11	C14222	51	39	C15738	55	11
A70185	45	8	C14223	49	37	C15739	55	12
A72039	63	5	C14223	51	37	C15740	55	13
A72039	65	5	C14304	69	7	C16164	45	21
A72040	63	6	C14344	63	34	C16239	61	9
A72040	65	6	C14344	65	34	C16339	49	22
A72041	65	23	C14345	25	7	C16361	37	20
A72043	63	10	C14399	17	26	C16362	37	9
A72043	65	10	C14399	19	26	C16363	25	17
A72046	63	32	C14399	21	26	C16373	37	11
A72046	65	32	C14457	85	2	C16393	39	17
A72047	63	33	C14459	85	5	C16404	39	2
A72047	65	33	C14525	47	14	C16429	39	7
A72048	63	11	C14531	49	4	C16444	39	15
A72048	65	11	C14534	39	12	C16445	39	15
A72098	27	1	C14537	67	9	C16446	39	16
A72104	65	2	C14553	67	7	C16447	39	16
C10314	45	2	C14565	67	4	C16516	59	1
C10372	5	8	C14568	83	2	C16581	87	1
C10372	23	13	C14568	85	14	C16616	33	19
C10657	25	14	C14599	69	18	C16616	35	1
C10678	25	3	C14644	49	24	C16687	53	24
C10898	85	4	C14644	51	24	C16697	53	35
C11529	25	18	C14655	53	35	C16697	59	
C11529	53	16	C14655	59		C16699	49	11
C11886	93	15	C14690	25	23	C16699	51	11
C11891	93	2	C14703	81	16	C16700	49	13
C11892	93	14	C14709	81	17	C16700	51	13
C11893	93	12	C14715	81	8	C16744	49	3
C11895	93	9	C14717	81	15	C16786	33	13
C11901	93	13	C14717	81	20	C16786	35	12
C11906	41	5	C14722	81	3	C16793	53	11
C12110	45	5	C14724	81	4	C16794	53	10
C12370	45	7	C14725	81	14	C16796	25	20
C12551	49	25	C14728	39	22	C16945	43	1
C12551	51	25	C14729	37	17	C17066	39	20
C12552	49	26	C14730	37	17	C17067	47	13
C12552	51	26	C14827	59	4	C17152	39	14
C12713	49	2	C14830	59	9	C17161	87	2
C12713	51	2	C14831	59	10	C17162	87	3
C12718	49	36	C14836	59	15	C17216	39	19
C12718	51	36	C14837	59	5	C17249	47	6
C12723	49	10	C14838	59	16	C17249	79	6
C12725	49	21	C14906	17	44	C17250	47	7
C12725	51	21	C14906	19	44	C17250	79	7
C12975	41	9	C14906	21	44	C17281	47	3
C12975	41	10	C14906	31	11	C17433	57	8
C12975	43	20	C14970	83	10	C17435	57	9
C13106	41	7	C14976	81	3	C17438	57	17
C13106	41	8	C14991	81	9	C17439	57	11
C13106	43		C15036	55	19	C17440	57	14
C13106	45		C15036	55	21	C17443	57	18
C13106	47		C15096	43	16	C17444	57	19
C13196	49	16	C15335	53	1	C17636	87	4
C13196	51	16	C15389	89	10	C17717	29	1
C13200	57	12	C15410	39	9	C17718	29	2
C13211	49	9	C15515	33	7	C17859	87	1
C13241	49	5	C15515	35	6	C17860	87	3
C13241	51	5	C15556	33	11	C17863	87	2
C13266	49	8	C15557	33	8	C17898	53	25
C13266	51	7	C15557	35	10	C18014	43	2
C13360	47	1	C15564	47	11	C18017	43	21
C13385	49	6	C15718	33	3	C18089	29	14
C13385	51	6	C15718	35	3	C18092	59	15
C13526	45	2	C15721	33	21	C18099	29	30
C13716	41	6	C15731	55	4	C18101	11	18
C14168	49	23	C15732	55	5	C18110	59	10
C14168	51	23	C15733	55	6	C18147	45	22
C14200	43	6	C15734	55	7	C18153	37	8

NUMERICAL INDEX

PART NO.	PAGE NO.	REF. NO.	PART NO.	PAGE NO.	REF. NO.	PART NO.	PAGE NO.	REF. NO.
C18251	79	3	C21814	19	1	C23962	89	9
C18719	91		C21814	21	12	C24069	69	35
C18721	91	12	C21857	45	24	C24070	55	7
C18742	59	6	C21872	45	19	C24098	43	18
C18742	79	18	C21989	67	14	C24137	37	12
C18777	41	2	C22023	37	4	C24141	19	7
C18779	41	3	C22278	41	12	C24295	5	9
C18782	41	3	C22278	41	5	C24433	45	3
C18782	41	3	C22568	41	19	C24435	45	1
C18784	41	2	C22568	41	19	C24438	45	9
C18788	69	23	C22573	69	8	C24447	81	
C18797	53	21	C22637	49	14	C24490	21	50
C18809	47	1	C22637	51	14	C24491	21	51
C18811	47	4	C22638	49	12	C24495	21	53
C18812	41	1	C22638	51	12	C24652	27	3
C18814	17	43	C22698	11	13	C24729	25	11
C18814	19	43	C22698	13	13	C24743	35	16
C18814	21	43	C22698	15	13	C24803	51	4
C18851	57		C22699	17	23	C24804	51	3
C18907	33	2	C22699	19	23	C24814	67	6
C18908	33	15	C22699	21	23	C24836	69	36
C18940	33	17	C22700	17	31	C24837	69	37
C18941	33	14	C22700	19	31	C24843	51	
C18992	43	5	C22700	21	31	C24862	55	
C19025	59	8	C22747	5	2	C24863	55	
C19025	79	20	C22765	67	18	C24864	55	
C19063	45	7	C22775	37	2	C24865	55	
C19064	45	8	C22808	53	15	C24867	55	3
C19115	55	16	C22819	5	12	C24868	55	1
C19179	45	10	C22859	5	13	C24884	7	21
C19250	45	1	C22874	61	11	C24884	7	44
C19251	45	11	C22889	5	10	C24884	9	21
C19422	93	5	C22896	61	6	C24887	23	9
C19423	93	18	C22921	31	3	C24887	25	13
C19469	83	8	C22930	61	10	C24887	27	2
C19476	83	7	C22947	53	18	C24887	27	2
C19521	69		C22992	41	13	C24911	53	20
C19740	81	1	C22992	41	13	C25022	45	13
C19740	81	1	C22998	31	2	C25043	7	25
C19767	31	15	C23002	67	13	C25043	7	48
C19867	31	12	C23004	31	23	C25043	9	25
C20036	31	7	C23012	69	2	C25207	53	6
C20053	31	20	C23023	67	1	C25207	55	16
C20093	31	5	C23024	67	2	C25207	55	17
C20455	55	15	C23025	67	3	C25208	53	7
C20456	55	2	C23030	57	5	C25208	55	16
C20460	55	4	C23126	29	26	C25208	55	17
C20461	55	5	C23135	13	18	C25258	49	40
C20462	55	6	C23135	15	18	C25258	51	40
C20464	55	12	C23171	25	14	C25368	83	4
C21504	57		C23189	53	38	C25369	83	3
C21504	57		C23209	71	4	C25390	91	8
C21506	57	22	C23209	73	3	C25556	29	4
C21506	57	11	C23326	53	19	C25556	39	18
C21507	57	7	C23330	69	1	C25605	29	3
C21507	57	6	C23337	89	5	C25784	53	12
C21508	57	24	C23407	91	9	C25789	85	5
C21508	57	8	C23527	37	3	C26063	5	1
C21510	57	25	C23600	91	10	C26181	91	11
C21510	57	9	C23618	91	1	C26182	53	23
C21511	57		C23624	35	19	C26188	79	25
C21518	59	5	C23625	35	14	C26188	81	2
C21518	79	15	C23627	35	18	C26266	93	27
C21526	41	18	C23630	35	13	C26342	49	15
C21526	41	18	C23677	35	2	C26342	51	15
C21527	41	16	C23740	33	20	C26381	45	17
C21527	41	17	C23740	35	8	C26422	27	10
C21529	41	21	C23860	23	8	C26455	61	3
C21592	91	15	C23860	25	2	C26518	23	7
C21596	33	11	C23879	91	14	C26518	69	6
C21814	17	1	C23888	89	8	C26702	33	18

NUMERICAL INDEX

PART NO.	PAGE NO.	REF. NO.	PART NO.	PAGE NO.	REF. NO.	PART NO.	PAGE NO.	REF. NO.
C26702	35	20	C28691	17	12	C30044	93	1
C26703	5	5	C28691	19	12	C30070	39	8
C26932	71	6	C28691	29	27	C30071	39	8
C26985	25	1	C28693	67	22	C30074	29	4
C27150	35		C28694	67		C30268	67	16
C27217	53	28	C28695	69	5	C30482	17	5
C27217	53	29	C28696	93	25	C30482	19	5
C27217	79	26	C28697	83	12	C30482	21	5
C27274	29	28	C28698	23	22	C30482	23	15
C27276	27	8	C28699	57	1	C30483	13	10
C27278	27	11	C28699	57	1	C30483	15	10
C27283	17	7	C28700	93	20	C30484	11	10
C27440	69	11	C28701	59	13	C30487	7	27
C27481	71	7	C28703	59	11	C30487	7	50
C27508	37	5	C28706	57	13	C30504	15	22
C27593	59	2	C28710	91		C30506	21	7
C27593	79	12	C28716	93	21	C30868	17	38
C27596	61	2	C28809	63	4	C30868	19	38
C27602	61	1	C28809	65	40	C30868	21	38
C27734	31	14	C28810	63	16	C31045	33	1
C27755	45	23	C28810	65	16	C31045	35	7
C27822	59	4	C28823	63	31	C31096	65	29
C27822	79	16	C28823	65	31	C32169	33	12
C28215	55	15	C28856	57	4	C32169	33	12
C28217	17	39	C28856	57	3	C32169	35	11
C28217	19	39	C28875	93	4	C32178	67	11
C28217	21	39	C28879	27	3	C32178	69	
C28217	21	52	C28880	27	5	C32199	55	20
C28217	91		C28883	5	7	C32259	79	1
C28222	81	13	C28927	55	9	C32407	67	17
C28226	41	10	C28929	63	9	C32427	81	18
C28226	41	11	C28932	69	6	C32891	11	24
C28237	31	1	C28937	25	5	C32891	13	24
C28237	59	1	C28937	25	16	C32891	15	24
C28237	79	11	C28949	53	34	C32891	17	34
C28237	93	26	C28962	25	15	C32891	19	34
C28240	31	8	C28966	55	19	C32891	21	34
C28241	49	18	C28966	55	21	C32935	29	16
C28241	51	18	C28985	81	12	C33309	43	12
C28251	91	3	C28990	29	22	C33411	29	1
C28281	51	8	C29022	13	22	C33417	49	38
C28289	11	23	C29025	11	22	C33417	51	38
C28289	13	23	C29031	71	3	C33589	71	5
C28289	15	23	C29031	73	2	C33589	73	5
C28294	5	3	C29290	5	14	C35291	29	2
C28321	11	21	C29408	79	10	C36848	91	2
C28321	13	21	C29413	67	10	C36935	49	17
C28321	15	21	C29516	11	6	C36935	51	17
C28321	53	5	C29517	11	15	C37222	51	22
C28386	67	8	C29518	11	15	C40687	41	1
C28487	83	11	C29519	11	15	C41010	67	15
C28669	11	20	C29520	11	15	C42852	49	45
C28669	13	20	C29521	13	6	C42852	51	45
C28669	15	20	C29522	13	15	C45431	91	7
C28669	17	28	C29523	13	15	F53109	55	2
C28669	19	28	C29524	13	15	KOA236919	29	34
C28669	21	28	C29525	13	15	KOA237559	29	32
C28670	29	24	C29526	15	6	KOA237653	29	8
C28676	27	16	C29527	15	15	KOD235327	7	22
C28677	33	16	C29528	15	15	KOD235327	7	45
C28677	35	15	C29529	15	15	KOD235327	9	22
C28678	11	19	C29530	15	15	KO200372	27	15
C28678	13	19	C29697	53	14	KO200383	27	4
C28678	15	19	C29697	53	37	KO230011	7	20
C28678	17	27	C29731	29	3	KO230011	7	43
C28678	19	27	C29732	59		KO230020	9	20
C28678	21	27	C29735	33	10	KO230170	7	16
C28680	7	28	C29735	35	9	KO230170	7	39
C28680	7	51	C29737	23	1	KO230170	9	16
C28680	9	26	C29738	67	20	KO230170	17	9
C28690	29	31	C30044	89	1	KO230170	19	9

NUMERICAL INDEX

PART NO.	PAGE NO.	REF. NO.	PART NO.	PAGE NO.	REF. NO.	PART NO.	PAGE NO.	REF. NO.		
KO230170	21	9	KO235603	29	36	071-	410	93	6	
KO230265	19	9A	KO235631	7	10	075-	48	93	11	
KO230265	21	11	KO235631	9	10	083-	55	55	20	
KO230722	67	23	KO235652	25	5	092-	4	7	2	
KO231032	7	5	KO235748	17	42	092-	4	9	2	
KO231032	7	5	KO235748	19	42	092-	6	11	12	
KO231032	9	5	KO235748	21	42	092-	6	13	12	
KO231032	23	6	KO235757	17	29	092-	6	15	12	
KO231281	67	19	KO235757	19	29	092-	8	75	4	
KO235003	11	11	KO235757	21	29	095-	4	93	10	
KO235003	13	11	KO235757	23	5	111-	5	29	5	
KO235003	15	11	KO235818	17	35	111-	108	69	14	
KO235004	11	7	KO235818	19	35	111-	131	69	27	
KO235004	13	7	KO235818	21	35	111-	202	69	13	
KO235004	15	7	KO235826	7	14	111-	256	5	4	
KO235007S	7	17	KO235826	7	37	111-	371	87	5	
KO235007S	7	40	KO235889	13	2	111-	521	77	4	
KO235007S	9	17	KO235890	13	16	111-	525	77	4	
KO235007S	17	10	KO235891	13	16	111-	531	75	3	
KO235007S	19	10	KO235892	13	16	113-	1	49	20	
KO235007S	21	10	KO236675	17	4	113-	1	51	20	
KO235008	7	15	KO236763	15	2	113-	1	61	3	
KO235008	7	38	KO236764	15	16	113-	1	61	4	
KO235011	7	18	KO236765	15	16	113-	1	69	34	
KO235011	7	41	KO236766	15	16	113-	3	25	12	
KO235011	9	18	KO236886	21	1	113-	12	91	4	
KO235025	17	16	KO237064	21	6	113-	17	29	9	
KO235025	19	16	KO237064	23	2	113-	102	43	11	
KO235025	21	16	KO237277	17	49	113-	102	89	12	
KO235025	23	3	KO237277	19	49	113-	103	89	15	
KO235026	17	17	KO237277	21	49	113-	107	19	33	
KO235026	19	17	KO237421	5	10	113-	113	37	15	
KO235026	21	17	KO237423	5	4	113-	118	61	2	
KO235047	7	9	KO237489	27	3	113-	118	81	10	
KO235047	9	9	KO237520	25	4	113-	122	39	11	
KO235048	7	6	KO237670	19	4	113-	130	25	7	
KO235048	9	6	KO237670	21	4	113-	185	69	9	
KO235048	23	11	KO237672	9	14	113-	185	69	16	
KO235053	9	28	KO237677	25	4	113-	206	43	13	
KO235057	23	14	KO237895	5	1	113-	206	53	2	
KO235070	17	29	KO270158	17	2	113-	206	89	6	
KO235070	19	29	KO270158	19	2	113-	207	17	33	
KO235070	21	29	KO270158	21	2	113-	207	21	33	
KO235070	23	5	KO270889	17	3	113-	207	31	19	
KO235084	29	19	KO270889	19	3	113-	207	33	9	
KO235085	29	18	KO270889	21	3	113-	207	35	22	
KO235086	29	17	KO275066	7	26	113-	207	47	8	
KO235117	7	8	KO275066	7	49	113-	207	79	8	
KO235117	9	8	KO275066	9	27	113-	207	79	21	
KO235118	7	7	KO275067	7	26	113-	207	87	6	
KO235118	9	7	KO275067	7	49	113-	209	17	14	
KO235125S	17	11	KO275067	9	27	113-	209	19	14	
KO235125S	19	11	KO275143	7	4	113-	209	21	14	
KO235125S	29	29	KO275143	9	4	113-	219	29	6	
KO235168	7	19	KO275144	7	11	113-	221	69	24	
KO235168	7	42	KO275144	9	11	113-	417	81	5	
KO235168	9	19	KO275144	23	12	113-	417	85	9	
KO235207	25	6	KO275182	69	4	113-	417	87	4	
KO235277	29	23	KO275220	7	3	113-	424	37	19	
KO235287	11	2	KO275220	9	3	113-	424	39	4	
KO235288	11	16	KO275231	27	5	113-	424	47	3	
KO235289	11	16	KO275341	5	6	113-	424	49	43	
KO235290	11	16	KO275341	23	10	113-	424	51	43	
KO235353	17	20	KO275341	25	11	113-	425	83	3	
KO235353	19	20	KO275960	29	15	113-	427	39	3	
KO235353	21	20	022-	844	85	13	113-	441	39	3
KO235353	23	4	025-	108	87	6	113-	443	87	5
KO235448	27	9	028-	680	49	34	113-1181	79	9	
KO235476	29	25	028-	680	51	34	113-2400	85	6	
KO235496	29	12	061-	510	5	7	114-	200	53	3
KO235582	9	15	061-	616	19	25	121-	106	39	13