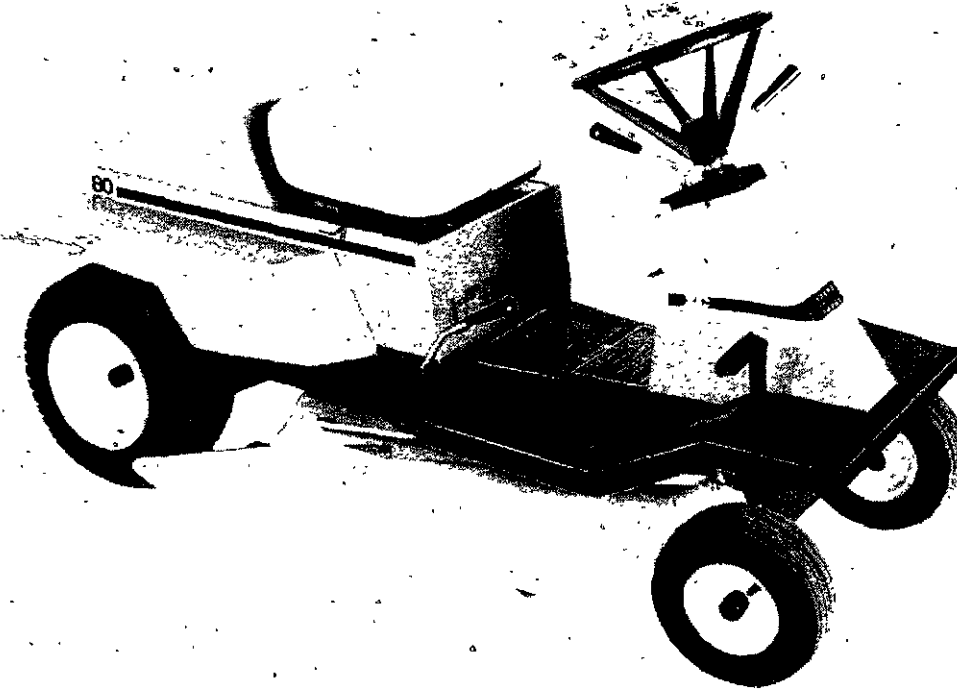


MODEL 80 RIDING LAWNMOWER
 MODEL M91 GRASS BAGGER
 MODEL M92 THATCHER
 Parts Catalog No. D1300

8-84-CCI-1500-072

NOTE: This parts catalog replaces
 Parts Catalog C1300



ALPHABETICAL INDEX.

ENGINE AND ATTACHING PARTS

	PAGE	GRID
Air Ducts	15	B2
Breaker Contacts	17	B4
Carburetor	13	A14
Engine Block	5	A5
Exhaust	13	A14
Flywheel and Stator	7	A8
Fuel System	11	A12
Governor	9	A10
Ignition and Charging	7	A8
Mounting Plate	15	B2
Oil Drain and Fill	7	A8
Starter Motor	17-19	B4-B6

BASIC RIDING LAWNMOWER

	PAGE	GRID
Axle, Front	35	C8
Axle, Rear	45	D4
Chain, Drive	45	D4
Clutch and Brake Assembly	47	D6
Dash Tower	31	C4
Decals	27-29	B14-C2
Drive Shaft Assembly	41	C14
Electrical System	21-25	B8-B12
Electrical System Hardware	21	B8
Enclosure, Engine	33	C6
Frame	31	C4
Jackshaft Assembly	43	D2
Mower Deck	51	D10
Mower Drive Assembly	53	D12
Mower Drive Control	49	D8
Mower Height and Lift Control	49	D8
Seat	33	C6
Steering Assembly	35	C8
Transmission Drive Pivot	39	C12
Travel Control	37	C10
Wheels, Front and Rear	33	C6

MODEL M91 BAGGER ATTACHMENT

	PAGE	GRID
Entire Parts List	55	D14

MODEL M92 THATCHER ATTACHMENT

	PAGE	GRID
Entire Parts List	57	E2

MODEL M93 REAR STAND KIT

	PAGE	GRID
Entire Parts List	55	D14

MODEL M94 SNOW BLADE

	PAGE	GRID
Entire Parts List	57	E2

INGERSOLL
 Ingersoll Equipment Co., Inc.

Technical Publications
 119 South First Street
 Winneconne, WI 54986-9576

INDEX

There is an index at the front and rear of this catalog.

The front index is an alphabetical index of the major groups or assemblies.

The rear index is a numerical index of the part numbers and pages on which these numbers are shown.

ILLUSTRATION

Each illustration in this catalog shows a group of parts or components. These parts and components are aligned approximately as the parts and components on your machine. Each part and component in an illustration has a reference number. These reference numbers are in a list on the page opposite of the illustration. Next to the reference number is the part number, description and required quantity of the part shown in the illustration.

ABBREVIATIONS

UAS - "Use as required" indicates that the part quantity is variable.

NSS - "Not sold separately" indicates that the part is only available as a component of an assembly or the part must be purchased locally. If the part is an assembly component, the description will be indented under the assembly description in the parts list.

INDENTED DESCRIPTIONS

An assembly can have many components. The components of an assembly are indicated by an indented description. The quantity for an indented part is the total needed for that complete assembly. See the example.

PARTS ORDERS

All orders must include the following information:

1. Correct part number.
2. Complete description of part or component.
3. Total quantity of each part or component.
4. Product model number.
5. All necessary product identification numbers.
6. Method for sending the parts.
7. Complete and correct address.

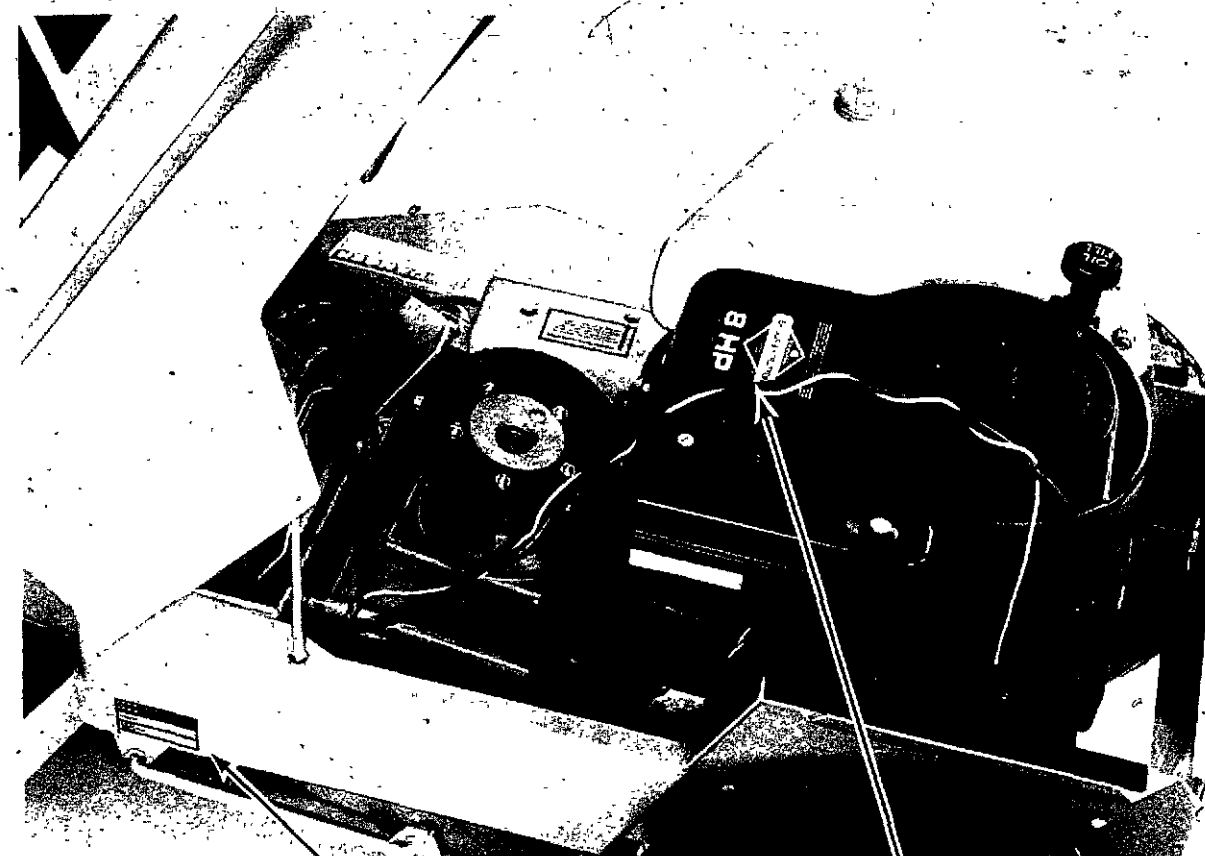
CATALOG REVISIONS

As the product changes, we will send you new pages for your catalog.

IMPORTANT: Put all revisions into the catalog as soon as possible.

RIGHT HAND AND LEFT HAND IDENTIFICATION

The words right hand (RH) and left hand (LH) as used in this catalog indicate the direction while you are in the operator's seat in the normal operating position.



LAWNMOWER MODEL AND PRODUCT IDENTIFICATION NUMBER (P.I.N.)

ENGINE MODEL AND SERIAL NUMBER

LAWNMOWER MODEL DESIGNATION	ENGINE MODEL DESIGNATIONS
MODEL 80 LAWNMOWER	BRIGGS AND STRATTON 190705 ENGINE NO. C24339 (used prior to S/N 9746101) NO. C24852 (used S/N 9746101 to 9759204) NO. C25182 (used S/N 9759204 to 9776118) NO. C27159 (used S/N 9776118 and after)

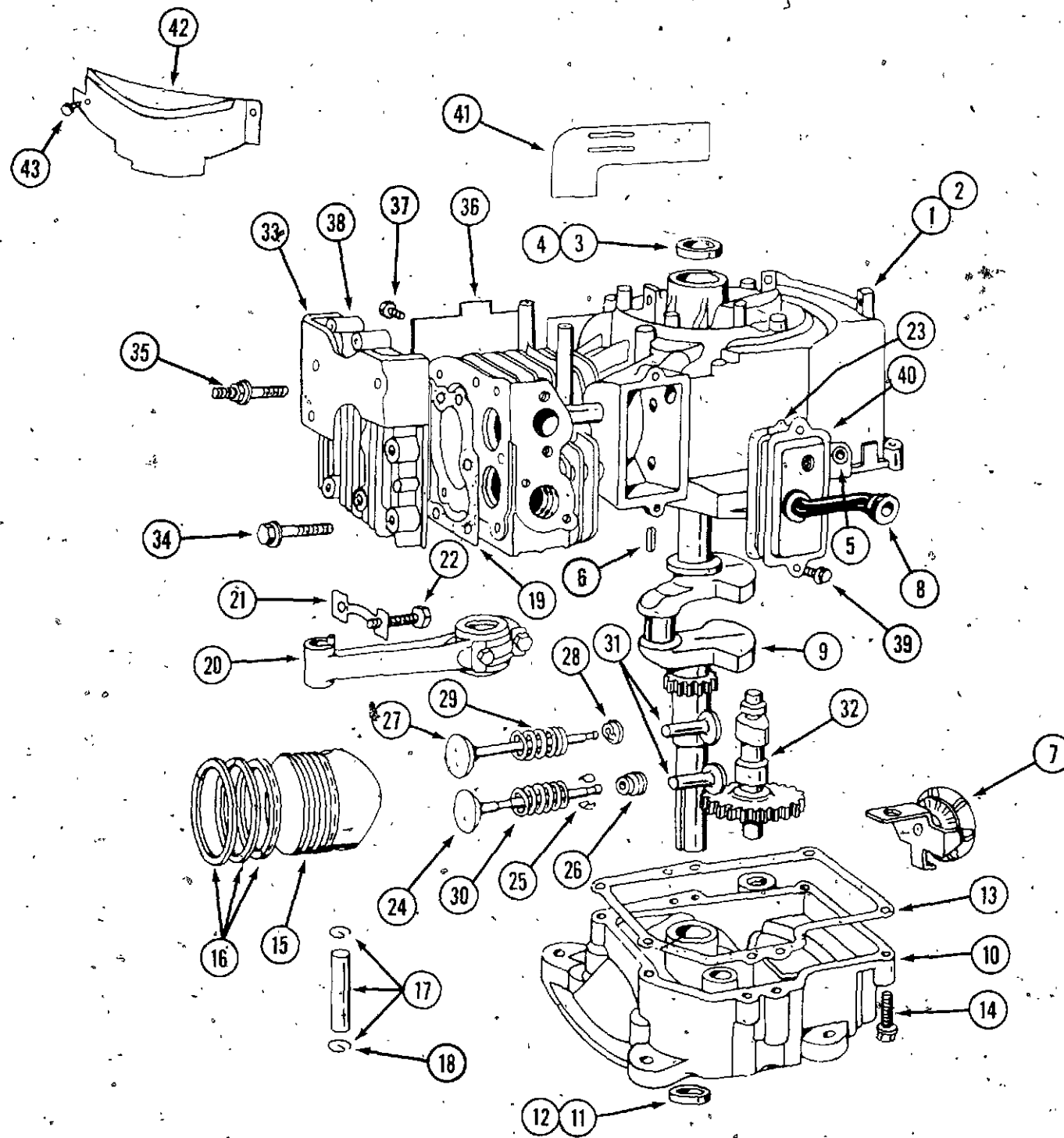
REF.	PART NO.	DESCRIPTION	REQ'D
	A 55159	CYLINDER ASSY - rear steering	1
28	A 56208	SOCKET ASSY - rear cylinder	1
29	A 55956	PLUG - adjusting, socket assy	1
30	A 55957	SEAT - socket ball	2
31	A 56210	SPRING - socket	1
32	A 56209	SEAT - socket spring	1
33	G 45175	CLAMP ASSY - socket assy	1
	16- 836	BOLT - 1/2" x 2-1/4" N.F. hex.	1
34	132- 104	PIN - cotter, 3/16" x 3"	1
35	A 55889	STUD - ball, socket & cylinder	2
36	13- 410	BOLT - 1/4" x 5/8" N.C., hex.	4
37	92- 4	LOCKWASHER - 1/4" SAE	4

SERIAL NUMBERS

When using this catalog, notice the reference to serial numbers of various components noted here and listed in the "description" copy. By referring to correct serial numbers, proper parts identification will be assured.

ENGINE BLOCK ASSEMBLY

(For Complete Engine See Page 1)



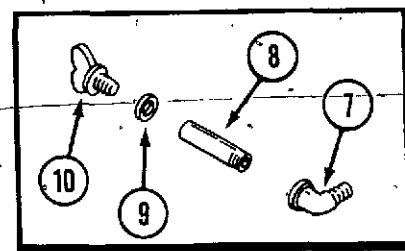
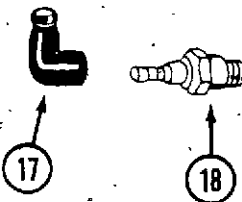
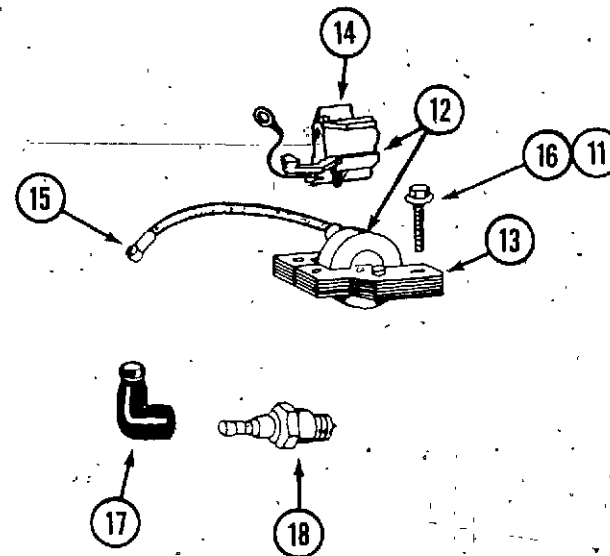
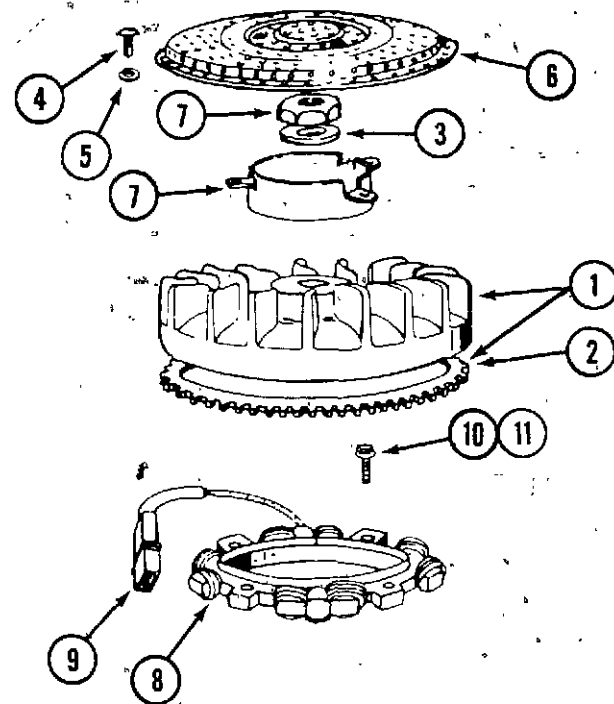
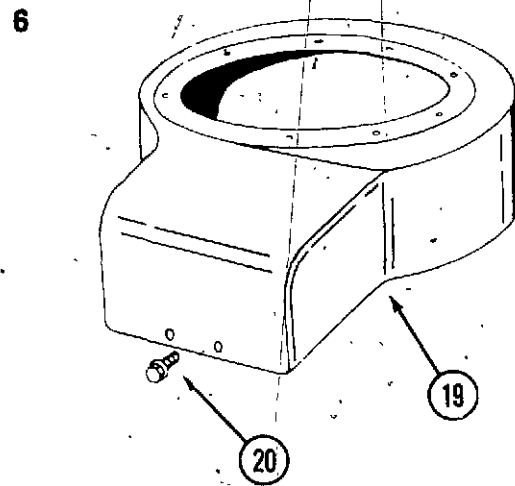
REF.	PART NO.	DESCRIPTION	REQ'D
1	BR 390640	BLOCK ASSEMBLY - short	1
2	NSS	BLOCK - cylinder, stripped	1
3	BR 295962	BUSHING - cylinder	1
4	BR 294606	SEAL - oil	1
5	BR 231055	BUSHING - governor shaft	1
6	C 27236	KEY - flywheel	1
7	BR 392718	BRACKET ASSEMBLY - governor gear & oil slinger	1
8	BR 280005	TUBE - breather	1
9	BR 261038	CRANKSHAFT	1
10	BR 392548	OIL PAN ASSEMBLY	1
11	BR 295963	BUSHING - oil pan	1
12	C 25709	SEAL - oil	1
13	BR 27750	GASKET - oil pan 1/64" (0.40 mm)	1
13	BR 27876	GASKET - oil pan .005" (0.13 mm)	1
13	BR 27877	GASKET - oil pan .009" (0.23 mm)	1
14	NSS	SCREW - oil pan mtg. (use 113-120 and 192-20)	4
15	BR 391673	PISTON ASSEMBLY - standard	1
15	BR 391674	PISTON ASSEMBLY - .010" (0.25 mm) oversize (includes rings)	1
15	BR 391675	PISTON ASSEMBLY - .020" (0.51 mm) oversize (includes rings)	1
15	BR 391676	PISTON ASSEMBLY - .030" (0.76 mm) oversize (includes rings)	1
16	BR 391669	RING SET - standard	1
16	BR 391670	RING SET - .010" (0.25 mm) oversize	1
16	BR 391671	RING SET - .020" (0.51 mm) oversize	1
16	BR 391672	RING SET - .030" (0.76 mm) oversize	1
17	BR 295840	PIN ASSEMBLY - piston standard (includes locks)	1
17	BR 295841	PIN ASSEMBLY - piston, .005" (0.13 mm) oversize (includes locks)	1
18	BR 68546	LOCK - piston pin	1
19	BR 270430	GASKET - cylinder head	1
20	BR 390402	CONNECTING ROD ASSEMBLY	1
21	BR 222114	LOCK - connecting rod bolt	1
22	BR 92659	BOLT - connecting rod	2
23	BR 27803	GASKET - valve cover	1
24	BR 390419	VALVE - exhaust	1
25	BR 93630	LOCK - exhaust valve	2
26	BR 292260	ROTATOR - exhaust valve	1
27	BR 261055	VALVE - intake	1
28	BR 221596	KEEPER - intake valve	1
29	BR 65906	SPRING - intake valve	1
30	BR 26828	SPRING - exhaust valve	1
31	BR 260933	TAPPET - valve	2
32	BR 211689	CAMSHAFT	1
33	BR 222636	BAFFLE - cylinder head	1
34	BR 93723	BOLT - cylinder head, 3"	UAR
34	BR 93211	BOLT - cylinder head, 2-21/32"	UAR
34	BR 93113	BOLT - cylinder head 2-9/32"	UAR
35	BR 93583	STUD - cylinder head (used before S/N 9746101)	2
35	BR 93776	STUD - cylinder head (used S/N 9746101 to 9759204)	2
36	BR 222830	BAFFLE - cylinder	1
37	NSS	SCREW - baffle mtg. (use 163-18 and 192-18)	1
38	BR 212286	HEAD - cylinder	1
39	187-1508	SCREW - sems	2
40	BR 391406	BREATHER - crankcase	1
41	BR 221760	GUIDE - air	1
42	BR 390233	SHIELD - starter (use before S/N 9759204)	1
43	187-1328	SCREW - shield mounting (use before S/N 9759204)	2
	BR 299577	GASKET SET - includes items 13, 19, 23 and carburetor-mounting gasket	1

FLYWHEEL AND STATOR

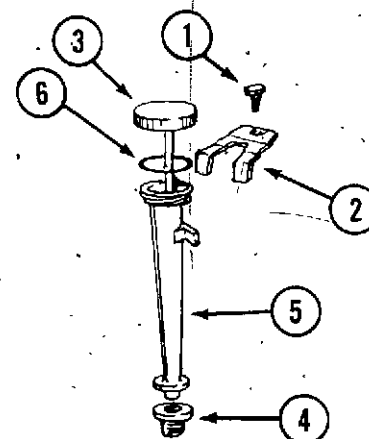
REF.	PART NO.	DESCRIPTION	REQ'D
1	BR 391983	FLYWHEEL ASSEMBLY - (use S/N 14030675 and after)	1
1	BR 392034	FLYWHEEL ASSEMBLY - (use before S/N 14030675)	1
2	BR 392134	RING GEAR	1
3	BR 220865	WASHER - spring	1
4	182- 84	SCREW - No. 8-32 x 3/8"	3
5	193- 91	LOCK WASHER - No. 8	3
6	BR 222562	SCREEN - flywheel (use S/N 9776118 and after)	1
7	BR 222561	CUP - screen mounting (use S/N 9776118 and after)	1
8	BR 393474	STATOR - alternator (use S/N 14030675 and after)	1
9	BR 393456	DIODE AND CONNECTOR ASSEMBLY - (use S/N 14030675 and after)	1
10	182- 90	SCREW - No. 8 - 32 x 1"	4
11	195- 510	WASHER - No. 8	4
12	C 27253	ARMATURE ASSEMBLY - (use S/N 14015186 and after)	1
13	C 27270	ARMATURE - (use S/N 14015186 and after)	1
13	BR 298968	ARMATURE - (use S/N 14015186)	1
14	C 27269	TRIGGER - ignition (use S/N 14015186 and after)	1
15	BR 221798	TERMINAL - ignition cable	UAR
16	182- 549	SCREW - No. 8 - 32 x 3/4"	2
17	BR 66538	BOOT - spark plug	UAR
18	C 24329	SPARK PLUG	1
19	BR 391379	HOUSING - blower (use S/N 9776118 and after)	1
19	BR 393128	HOUSING - blower (use before S/N 9776118)	1
20	NSS	BOLT - (use 22-48 and 92-4)	4

OIL DRAIN AND FILL

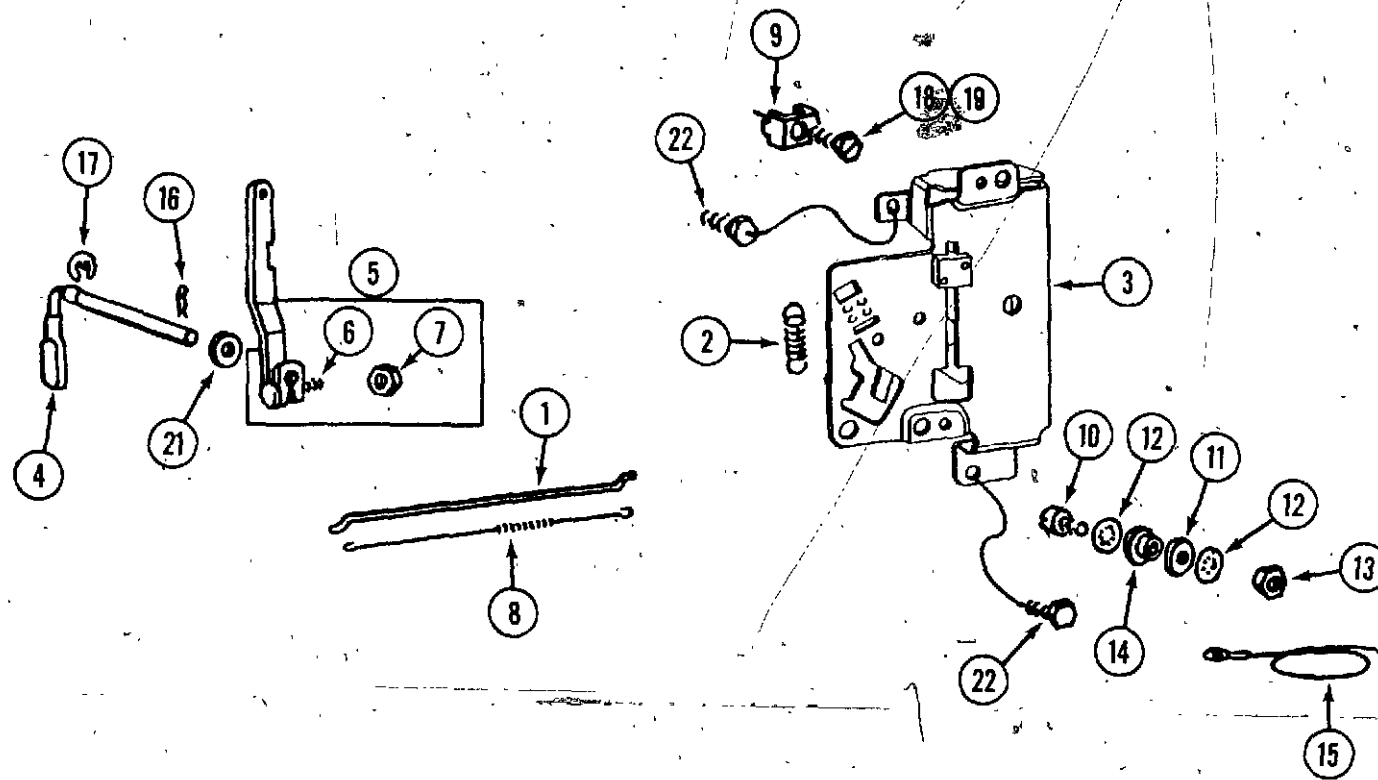
1	187- 1037	SCREW - clamp mounting	1
2	BR 222502	CLAMP - oil filler tube	1
3	BR 391840	DIPSTICK - oil	1
4	BR 68838	SEAL - filler tube	1
5	BR 280133	TUBE - oil filler	1
6	BR 270920	SEAL - filler cap	1
7	217- 1027	ELBOW - 90° street	1
8	C 19473	NIPPLE - pipe (use before S/N 9759204)	1
8	C 18814	NIPPLE - pipe (use S/N 9759204 and after)	1
9	C 14906	GASKET - plug, oil drain	1
10	221- 13	PLUG - oil drain	1



OIL DRAIN

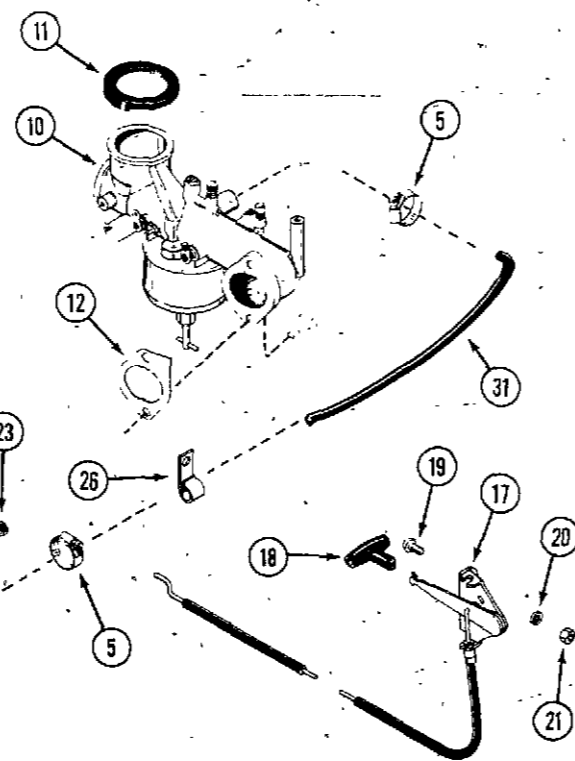
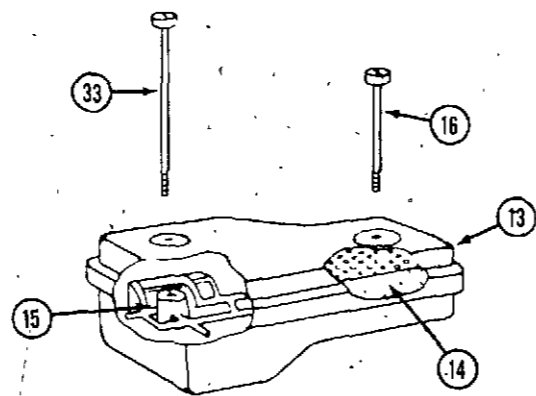
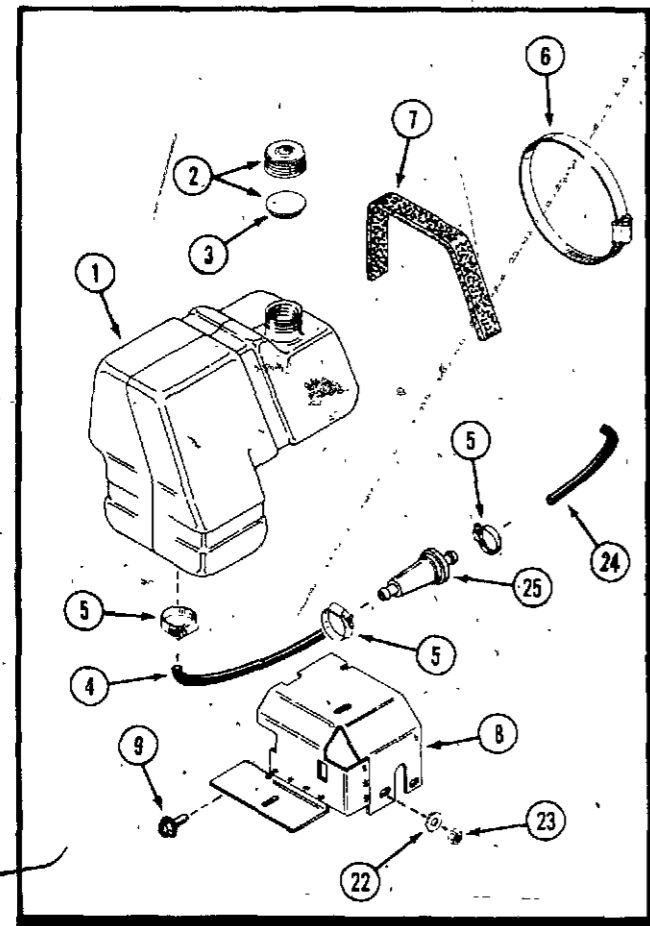


GOVERNOR

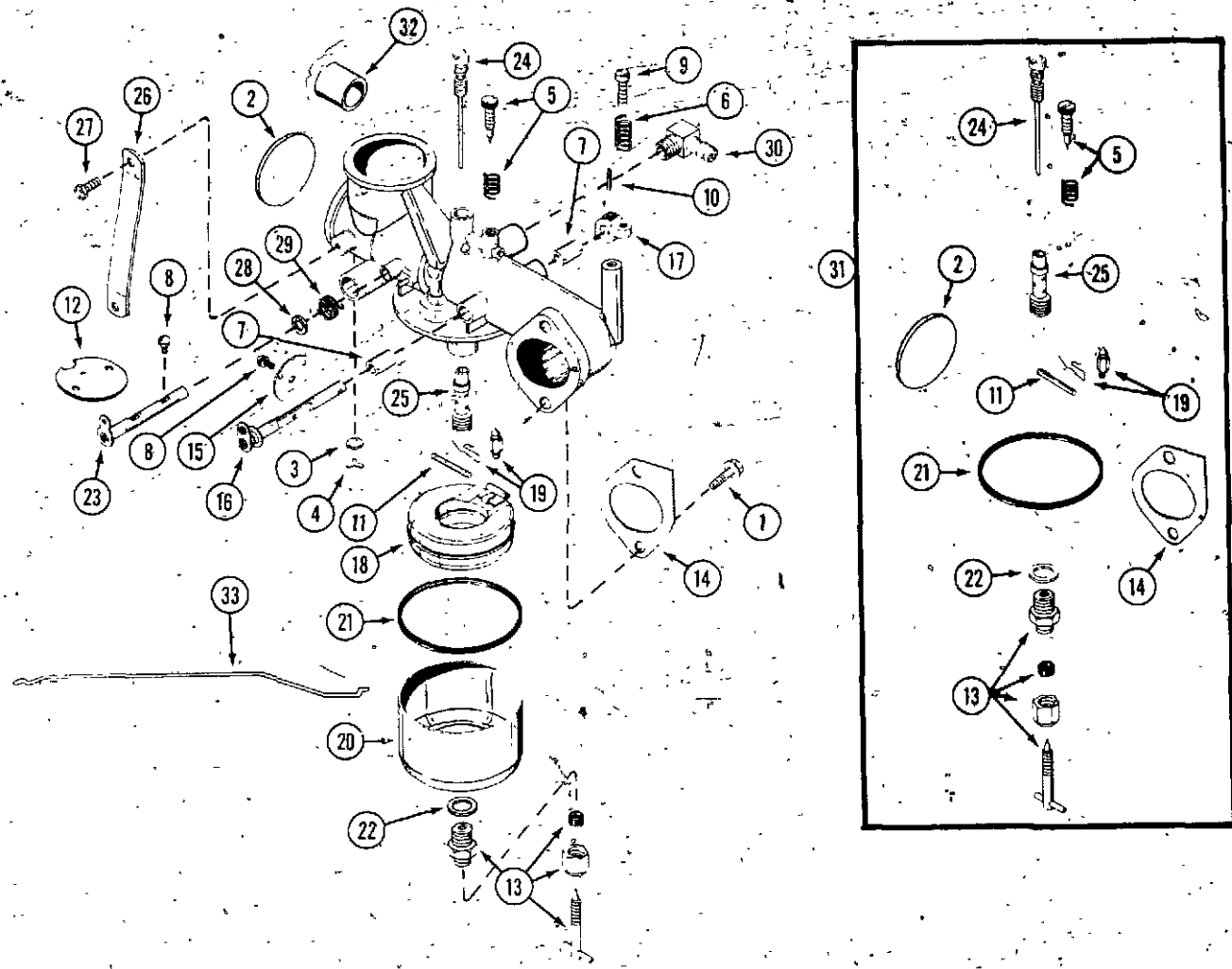


REF.	PART NO.	DESCRIPTION	REQ'D
1	C 27242	LINK - governor (use S/N 14015186 and after)	1
1	BR 260971	LINK - governor (use before S/N 14015186)	1
2	BR 261306	SPRING - governor	1
3	BR 390662	BRACKET - governor (use before S/N 14015186)	1
3	C 27257	BRACKET - governor (use S/N 14015186 and after)	1
4	BR 231058	CRANK - governor	1
5	BR 391733	LEVER ASSEMBLY	1
6	111- 2	BOLT - lever	1
7	129- 17	NUT - No. 10-24	1
8	C 27241	SPRING - governor link (use S/N 14015186 and after)	1
8	BR 260584	SPRING - governor link (use before S/N 14015186)	1
9	BR 221535	CLAMP - casing	1
10	182- 87	SCREW - terminal	1
11	BR 66068	WASHER - insulating	1
12	193- 91	LOCK WASHER	2
13	129- 16	NUT - No. 8-32	2
14	BR 66554	COLLAR - insulating	1
15	BR 299500	WIRE - ground	1
16	136- 103	PIN - cotter hair pin	1
17	A 27795	RETAINER - "E" ring	1
18	163- 4	SCREW	1
19	192- 18	WASHER	1
21	BR 222450	WASHER - governor crank	1
22	187- 1510	SCREW - mounting	1

FUEL SYSTEM



REF.	PART NO.	DESCRIPTION	REQ'D
1	NSS	TANK - fuel (used prior to S/N 9759204). (use C25230 kit)	1
2	C 11529	CAP - fuel tank (includes insert)	1
3	NSS	INSERT - cap	1
4	D 53521	HOSE - rubber 1/4" I.D. x 12" (used prior to S/N 9759204)	1
5	214- 253	CLAMP - hose (4 reqd. prior to S/N 9759204)	2
6	214- 272	CLAMP - fuel tank (used prior to S/N 9759204)	2
7	C 24391	CUSHION - clamp, fuel tank (used prior to S/N 9759204)	2
8	C 24463	BRACKET - mounting, fuel tank (used prior to S/N 9746101)	1
8	C 24780	BRACKET - mounting, fuel tank (used S/N 9746101 to S/N 9759204)	1
9	121- 106	CARBURETOR - (repairs page 13)	1
10	BR 390811	GASKET - air cleaner	1
11	BR 270539	GASKET - carburetor mounting	1
12	BR 270824	CLEANER ASSEMBLY - air	1
13	BR 391399	ELEMENT - air cleaner	1
14	BR 270528	SUPPORT - element	1
15	BR 280111	CUP - air cleaner	1
	C 26358	SCREW - air cleaner	1
16	BR 93622	CONTROL - choke and throttle	1
17	C 23641	HANDLE - control	1
18	C 15540	SCREW - #10 - 24 x 1/2" pan hd. Phillips	2
19	182- 516	LOCKWASHER #10	2
20	192- 18	NUT - #10 - .24 hex	2
21	129- 17	WASHER - 5/16"	4
22	195- 521	NUT - lock 5/16" - 18	4
23	131- 176	HOSE - rubber 1/4" I.D. x 6" (used prior to S/N 9759204)	1
24	D 59944	FILTER - fuel (used prior to S/N 9759204)	1
25	D 59949	CLIP - fuel line	1
26	C 24689	TANK - fuel (used S/N 9759204 and after)	1
27	C 25125	ELBOW ASSEMBLY - tank (used S/N 9759204 and after)	1
28	C 10657	BRACKET - tank mount, front (used S/N 9759204 and after)	1
29	C 25145	BRACKET - tank mount, rear (used S/N 9759204 and after)	1
30	C 25147	HOSE - fuel (used S/N 9759204 and after) 12" (305 mm)	1
31	H 400184	BOLT - 5/16" - 18 x 3/4" (used S/N 9759204 and after)	8
32	113- 102	SCREW - air cleaner	1
33	BR 93323	NUT - 5/16" - 18 flange lock	4
34	131- 911		

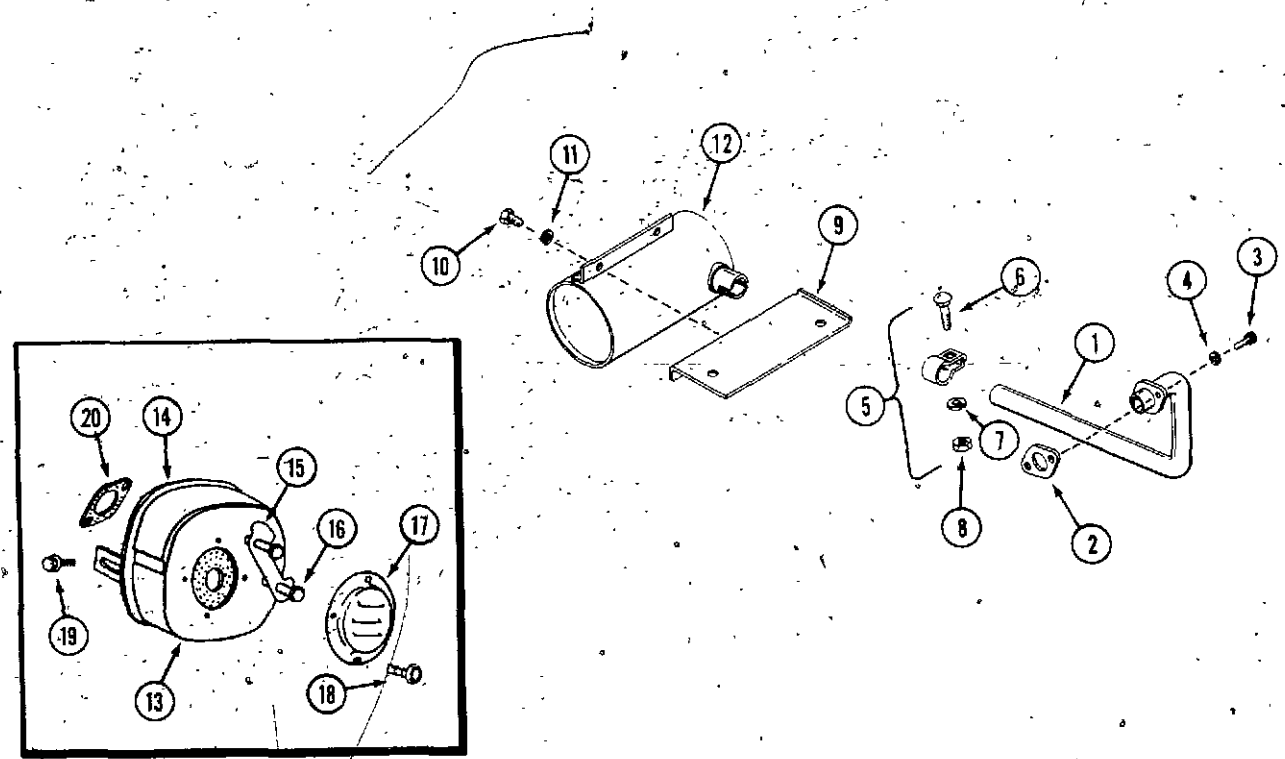


BR 390811 CARBURETOR

REF.	PART NO.	DESCRIPTION	REQ'D.
1	BR 93357	SCREW - carburetor mtg.	2
2	41- 24	PLUG - wash	1
3	BR 27590	FILTER - carburetor drain	1
4	BR 211954	RETAINER - carburetor drain filter	1
5	BR 292681	VALVE ASSEMBLY - carburetor idle	1
6	BR 26157	SPRING - throttle adj.	1
7	BR 23108	BUSHING - throttle shaft	2
8	BR 93499	SCREW - throttle and choke mtg.	3
9	182- 87	SCREW - #8 x 5/8" mach.	1
10	138- 251	PIN - throttle stop	1
11	BR 230896	PIN - float hinge	1
12	BR 222010	VALVE - choke	1
13	BR 391233	VALVE ASSEMBLY - needle	1
14	BR 270824	GASKET - carburetor mtg.	1
15	BR 221986	VALVE - throttle	1
16	BR 391512	SHAFT AND LEVER - throttle	1
17	BR 211712	STOP - throttle	1
18	BR 299707	FLOAT - carburetor	1
19	C 27254	VALVE - fuel inlet assembly (use S/N 14015186 and after)	1
19	BR 299096	VALVE - fuel inlet assembly (use before S/N 14015186)	1
20	BR 221995	BOWL - float	1
21	BR 270511	GASKET - float bowl	1
22	BR 222014	WASHER - float bowl	1
23	BR 390684	SHAFT AND LEVER - choke	1
24	BR 299740	NOZZLE - carburetor	1
25	BR 230932	SCREW - nozzle	1
26	BR 222027	BRACKET - carburetor	1
27	187- 1510	SCREW - bracket mtg.	2
28	BR 270382	WASHER - choke shaft	1
29	BR 261116	SPRING - choke return	1
30	C 10678	CONNECTOR - fuel pipe	1
31	BR 299852	KIT - carburetor overhaul (use before S/N 14015186)	1
31	C 27255	KIT - carburetor overhaul (use S/N 14015186 and after)	1
32	BR 211682	VENTURI	1
33	BR 261117	LINK - choke (use before S/N 14015186)	1
33	C 27243	LINK - choke (use S/N 14015186 and after)	1

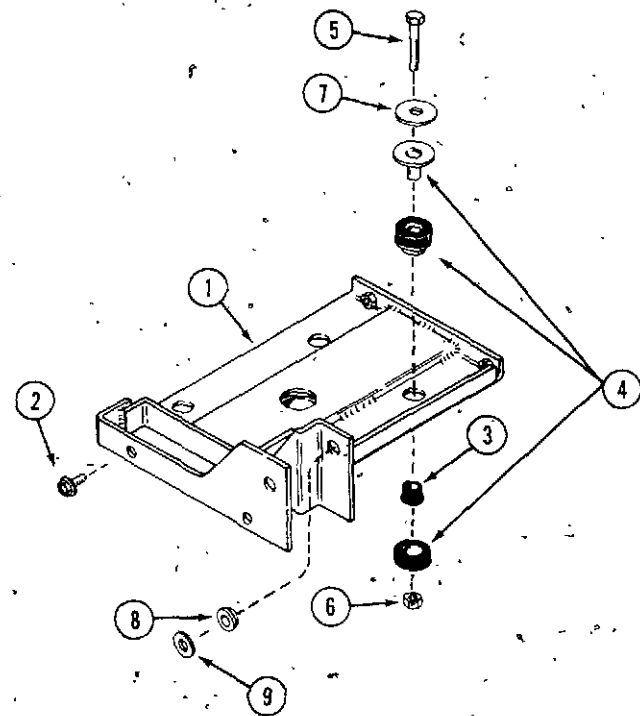
EXHAUST SYSTEM

1	C 24246	PIPE - exhaust	1
2	C 24340	GASKET - flange, exhaust pipe	1
3	61- 410	BOLT - 1/4" - 20 x 5/8" socket head	2
4	192- 19	LOCK WASHER - 1/4"	2
5	C 24341	CLAMP - muffler	1
6	111- 256	BOLT - 5/16" - 18 x 1/4 rd. hd. sq. neck	1
7	192- 20	LOCK WASHER - 5/16"	1
8	129- 102	NUT - 5/16" - 18 hex	1
9	C 24510	BRACKET - mounting, muffler	1
10	113 1	BOLT - 1/4" - 20 x 1/2" hex	2
11	192- 19	LOCK WASHER - 1/4"	2
12	C 24191	MUFFLER - exhaust	1
13	BR 391313	MUFFLER - exhaust	1
14	BR 221885	SHIELD - heat (early production)	1
15	BR 222263	LOCK - bolt	1
16	C 27237	BOLT - muffler	2
17	C 25500	DEFLECTOR - exhaust (early production)	1
18	187- 1041	SCREW - special	4
19	NSS	SCREW - (use 22-412 and 195-18)	1
20	C 24340	GASKET - exhaust	1



USE S/N 9776118 AND AFTER

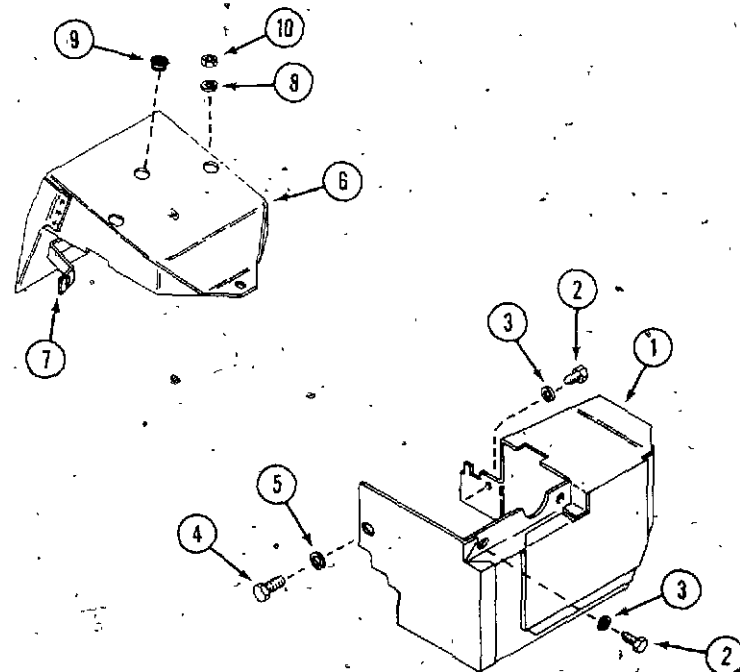
ENGINE MOUNTING PLATE

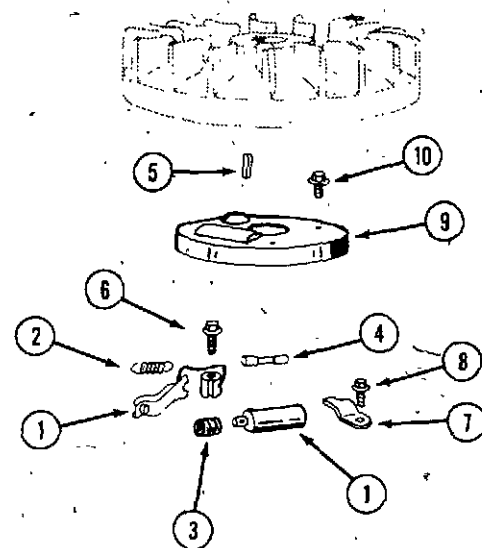


REF.	PART NO.	DESCRIPTION	REQ'D
1	C 25030	PLATE - engine mounting (also use [2] C24377 washers, shim gear case to outside prior to S/N 9758814).	1
2	121- 106	BOLT - 5/16" - 18 x 1/2" flange hd.	4
3	C 24506	BUSHING - rubber	4
4	C 25468	MOUNT ASSEMBLY - engine.	4
5	113- 111	BOLT - 5/16" - 18 x 2-1/2" hex.	4
6	181- 176	NUT - lock 5/16" - 18 hex	4
7	195- 524	WASHER - 5/16" (front engine mounts only) early production	2
8	C 24182	BUSHING - flange (use S/N 9775430 and after).	2
8	C 25927	BUSHING - flange, heavy duty (use before S/N 9775430)	1
9	A 15043	SHIM - washer	UAR

ENGINE AIR DUCTS

1	C 25859	DUCT - air exhaust (use S/N 9776118 and after)	1
1	C 24507	DUCT - air exhaust (used prior to S/N 9746101)	1
1	C 24782	DUCT - air exhaust (used S/N 9746101 to 9776118)	1
2	113- 1	BOLT - 1/4" - 20 x 1/2" hex	2
3	192- 19	LOCK WASHER - 1/4"	2
4	113- 101	BOLT - 5/16" - 18 x 1/2" hex	1
5	192- 20	LOCK WASHER - 5/16"	1
6	C 24509	DUCT - air intake (use before S/N 9776118)	1
7	C 25393	BRACKET - support, duct	1
8	193- 70	LOCK WASHER - 3/16"	4
9	353- 406	PLUG - hole	3
10	129- 17	NUT - #10 - 32 hex	4
	C 26640	PLUG - button	1



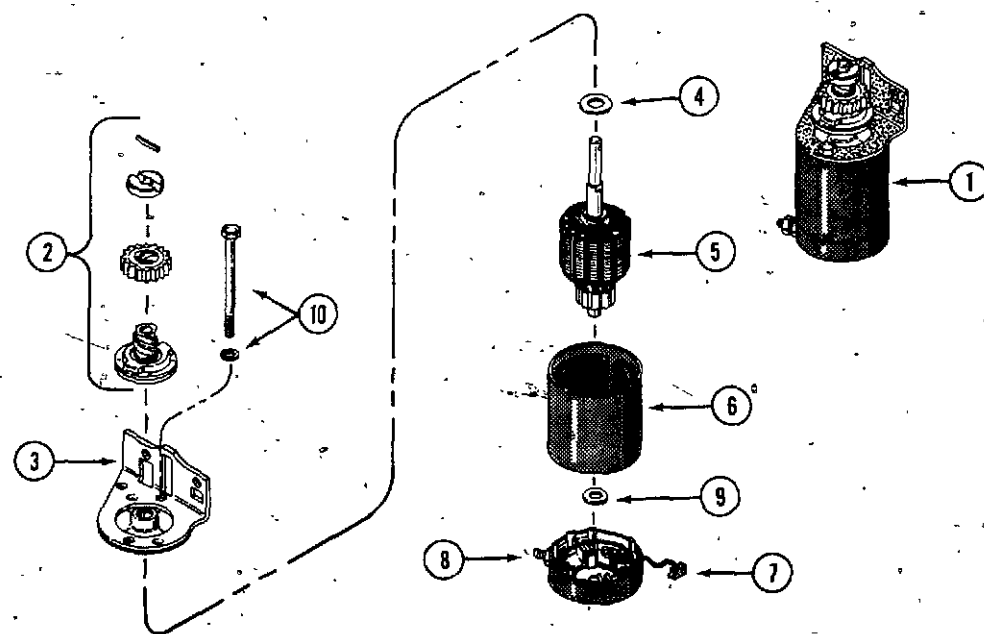


80 RIDING LAWNMOWER

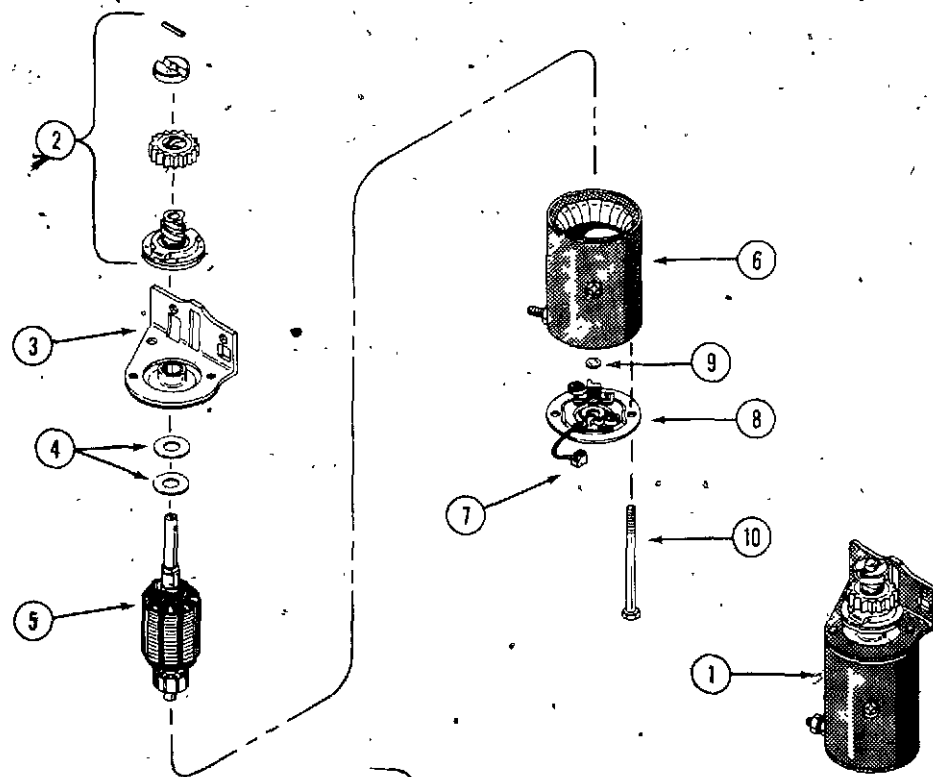
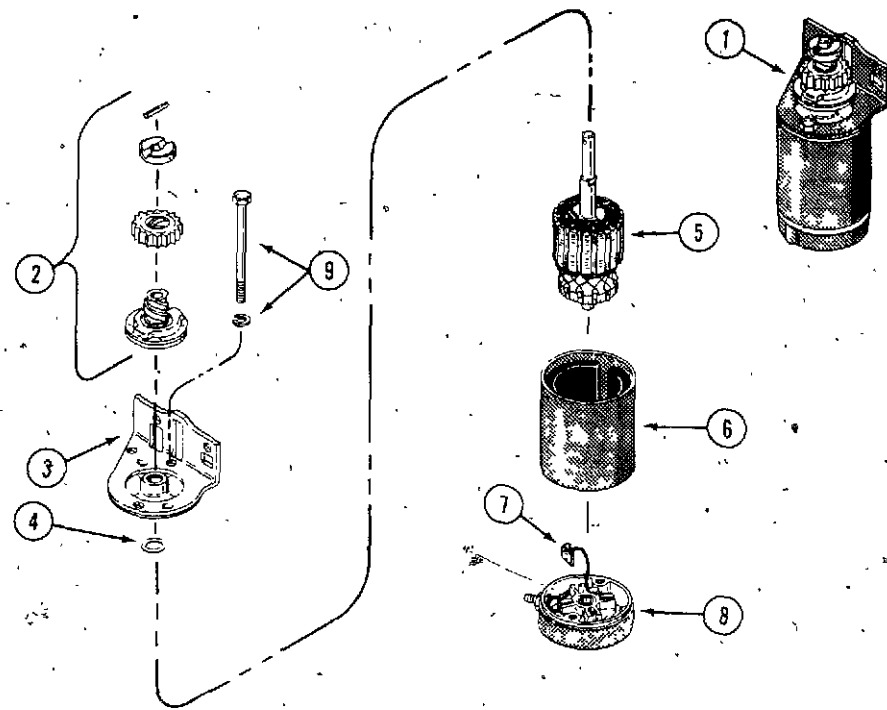
BREAKER CONTACTS
(use before S/N 14015186)

REF.	PART NO.	DESCRIPTION	REQ'D
	BR 299061	KIT - ignition	1
1	BR 294628	POINTS AND CONDENSER	1
2	BR 26018	SPRING - breaker arm	1
3	BR 260374	SPRING - connector, condenser	1
4	BR 65704	PLUNGER - breaker point	1
5	BR 61760	KEY - flywheel, zinc	1
6	NSS	SCREW - breaker arm mtg. (use 182-549 and 195-10)	1
7	BR 220477	CLAMP - condenser mtg.	1
8	NSS	SCREW - condenser mtg. (use 163-7 and 193-25)	1
9	BR 222117	COVER - breaker point	1
10	187- 1041	SCREW - <i>sems</i> , cover	2

STARTER MOTOR - BRIGGS



1	C 27264	MOTOR - starting 12V, Briggs (use S/N 14015186 and after)	1
1	BR 392749	MOTOR - starting 12V, Briggs (use before S/N 14015186)	1
2	BR 391461	DRIVE ASSEMBLY - starter	1
3	BR 392061	END CAP - starter (includes items 4 & 9)(use before S/N 14015186)	1
3	C 27262	END CAP - starter (use S/N 14015186 and after)	1
4	NSS	WASHER - thrust (see item 3 or 8)	1
5	BR 390837	ARMATURE - starter	1
6	BR 392744	HOUSING - starter (use before S/N 14015186)	1
6	C 27263	HOUSING - starter (use S/N 14015186 and after)	1
7	BR 391705	BRUSH ASSEMBLY - starter (use before S/N 14015186)	1
7	C 27259	BRUSH ASSEMBLY - starter (use S/N 14015186 and after)	1
8	BR 390846	END CAP - com. end (includes Brush Set)(use S/N 14015186 and after)	1
8	C 27258	END CAP - com. end (includes brushes)(use S/N 14015186 and after)	1
9	NSS	SPACER - (see item 3 or 8)	1
10	BR 391706	BOLT ASSEMBLY - thru (includes washer)(use before S/N 14015186)	2
10	C 27260	BOLT ASSEMBLY - thru (includes washer)(use S/N 14015186 and after)	1



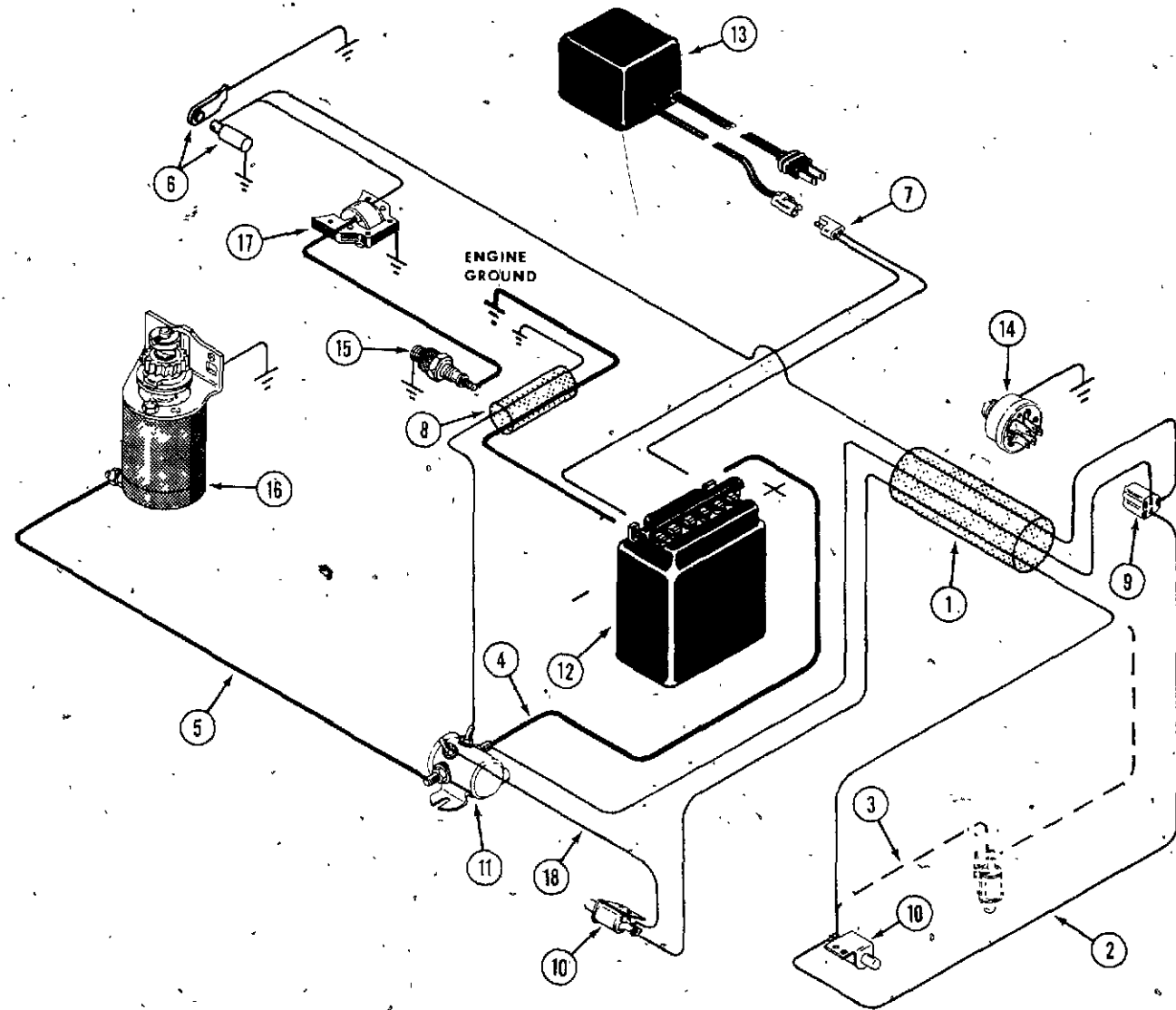
STARTER MOTOR — AMERICAN BOSCH
BOSCH MODEL 01965 - 23-MO - 30 - SM

REF.	PART NO.	DESCRIPTION	REQ'D
1	NSS	MOTOR - starting 12V, Bosch (use BR392749)	1
2	BR 391461	DRIVE ASSEMBLY - starter	1
3	BR 390444	END CAP ASSEMBLY - drive end, Bosch	1
4	NSS	WASHER - thrust, (retain old washer for service)	1
5	BR 391607	ARMATURE - starter, Bosch	1
6	BR 390447	HOUSING - starter, Bosch	1
7	BR 390449	BRUSH ASSEMBLY - Bosch	1
8	BR 390448	END CAP ASSEMBLY - com. end, Bosch	1
9	BR 390450	BOLT - thru - Bosch (includes washer)	2

STARTER MOTOR — MITSUBISHI
MITSUBISHI MODEL M001T02271

1	NSS	MOTOR - starting 12V, Mitsubishi (use BR392749)	1
2	BR 391461	DRIVE ASSEMBLY - starter	1
3	BR 391585	END CAP ASSEMBLY - drive end, mitsubishi	1
4	NSS	WASHER - thrust (retain old washers for service)	2
5	BR 391584	ARMATURE - starter, mitsubishi	1
6	BR 390452	HOUSING - starter, mitsubishi	1
7	BR 390990	BRUSH ASSEMBLY - mitsubishi	1
8	BR 390455	END CAP ASSEMBLY - com. end (includes brush set)	1
9	NSS	SPACER - starter (retain old spacer for service)	1
10	BR 93771	BOLT - thru, mitsubishi	2

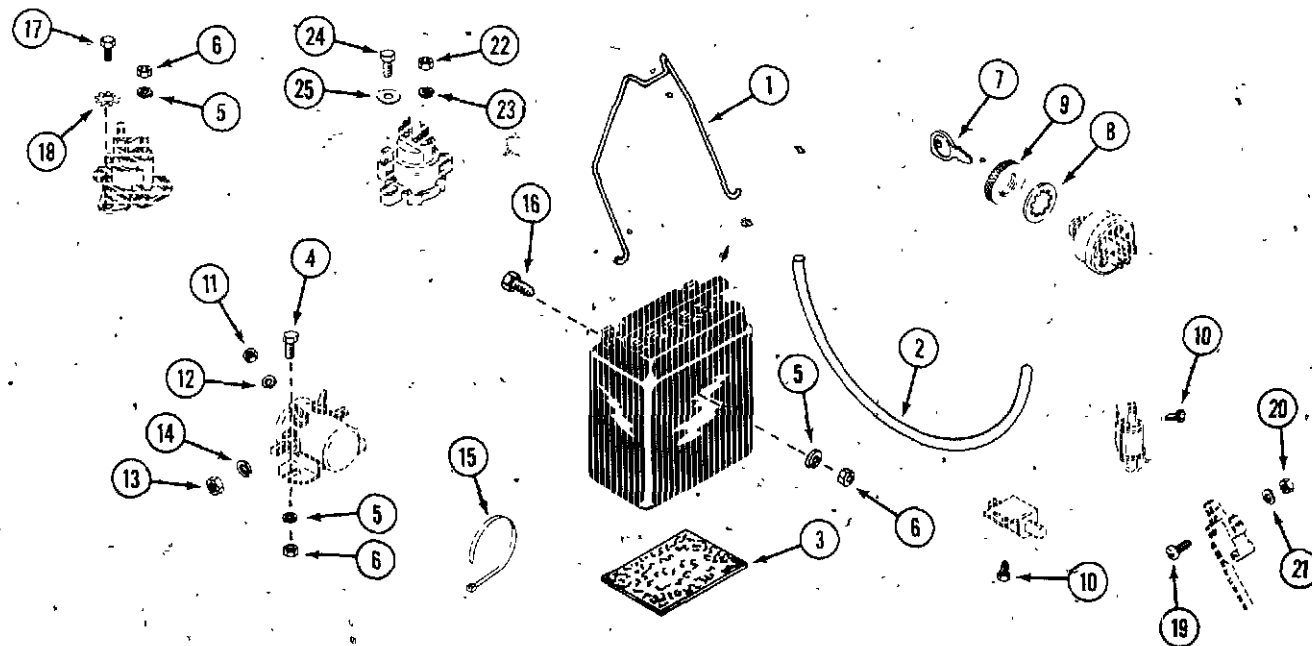
ELECTRICAL SYSTEM
(Use before S/N 9775534)



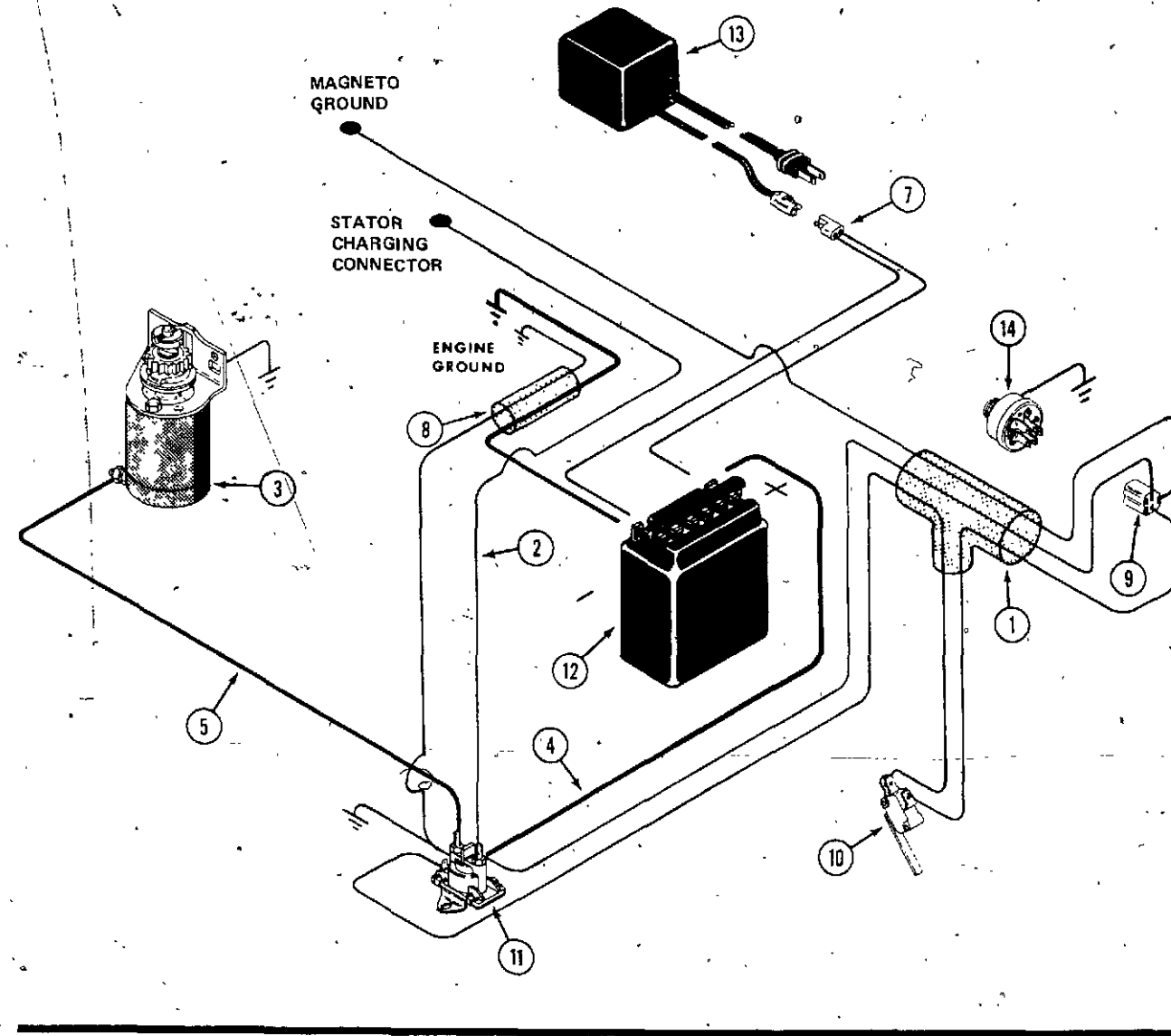
REF.	PART NO.	DESCRIPTION	REQ'D
1	C 24755	HARNESS - wire (used S/N 9746098 and after)	1
1	C 24362	HARNESS - wire (used prior to S/N 9746098)	1
2	C 24359	WIRE - connector to neutral start switch (pink)	1
3	C 24572	WIRE - switch to switch (orange) (used prior to S/N 9746098)	1
4	C 14565	CABLE - battery positive to solenoid (red)	1
5	C 24360	CABLE - solenoid to starter (red)	1
6	BR 294628	POINTS AND CONDENSER	1
7	C 24351	ADAPTOR - battery charger	1
8	C 24619	HARNESS - wire	1
9	C 24460	CONNECTOR - switch	1
10	C 22765	SWITCH - neutral start	2
11	C 14553	SOLENOID - start	1
12	NSS	BATTERY - 12 volt (includes caps, vent hose and hardware) (use C26425)	1
12	C 24656	CAP - battery (for original battery)	6
12	C 26425	BATTERY - 12 volt (includes caps, vent hose and hardware) service battery	1
12	C 26426	CAP - battery (for service battery)	6
13	C 24346	CHARGER - battery, 12 volt (American usage)	1
13	C 25059	CHARGER - battery, 12 volt (European usage)	1
14	C 24145	SWITCH ASSEMBLY - ignition (includes washer and key) (order nut below)	1
15	C 24329	SPARK PLUG	1
16	BR 392749	STARTER - engine 12 volt	1
17	BR 298968	COIL ASSEMBLY - ignition (includes spark plug wire)	1
18	C 24754	WIRE - switch to solenoid (used S/N 9746098 and after)	1

ELECTRICAL SYSTEM HARDWARE

1	C 24263	STRAP - battery hold down	1
2	L 54225	HOSE - vent	1
3	C 24428	CUSHION - battery	1
4	113- 1	BOLT - 1/4" - 20 x 1/2" Hex	4
5	192- 19	LOCK WASHER - 1/4"	4
6	129- 101	NUT - 1/4 - 20 hex	4
7	A 24509	KEY AND RING ASSEMBLY	1
8	C 23248	LOCK WASHER - 5/8" internal tooth	1
9	C 24659	NUT - 5/8" - 32 knurled	1
10	187- 1003	SCREW - #8 - 32 x 5/16" self tapping hex	4
11	129- 27	NUT - #10 NF hex	2
12	193- 99	LOCK WASHER - #10	2
13	129- 162	NUT - 5/16"	2
14	193- 29	LOCK WASHER - 5/16" NF hex	2
15	C 22947	TIE - wire	5
16	169- 145	BOLT - 1/4" - 20 x 5/8"	2
17	187- 1908	SCREW - self-tapping	2
18	193- 70	LOCK WASHER	2
19	182- 10	SCREW - No. 4 - 40 x 7/8" pan head	2
20	129- 13	NUT - No. 4 - 40-hex	2
21	192- 13	LOCK WASHER - No. 4	2
22	129- 37	NUT - No. 10 - 32	2
23	192- 18	LOCK WASHER - 3/16"	2
24	C 27548	SCREW - self tapping No. 10 - 16 x 3/4"	2
25	195- 516	WASHER - 3/16"	2



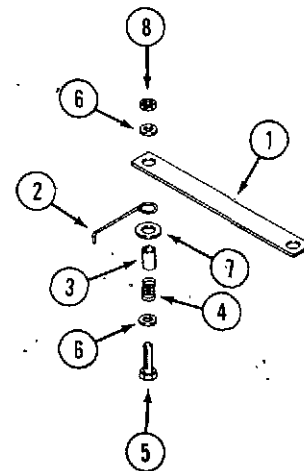
ELECTRICAL SYSTEM
(Use S/N 9775534 to S/N 14049205)



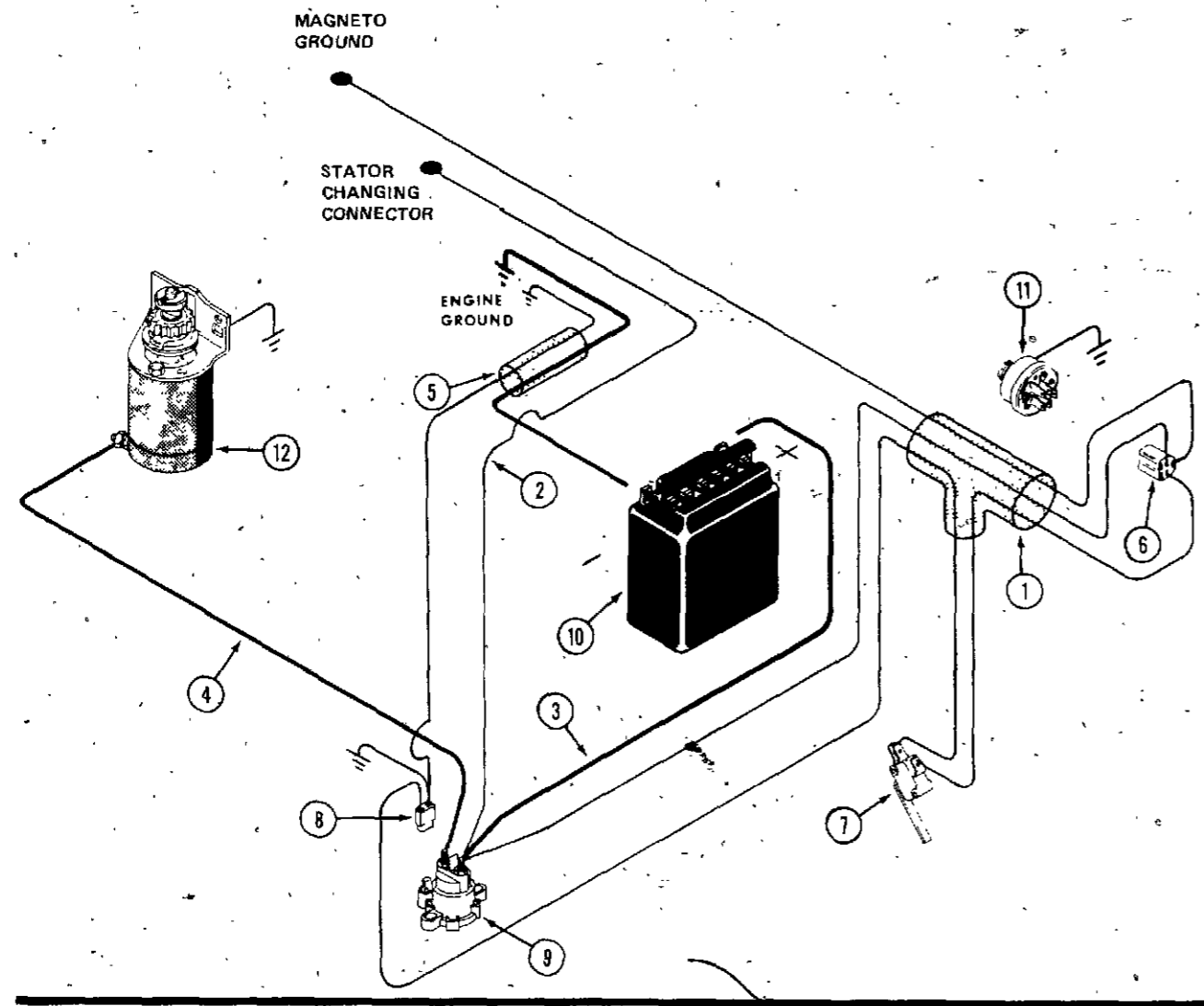
REF.	PART NO.	DESCRIPTION	REQ'D
1	C 25502	HARNES - wire	1
2	C 27232	WIRE - solenoid to engine (red)(use S/N 14030675 and after)	1
3	BR 392749	STARTER - engine 12 volt.	1
4	C 14565	CABLE - battery positive to solenoid (red).	1
5	C 24360	CABLE - solenoid to starter (red).	1
7	C 24351	ADAPTOR - battery charger (use before S/N 14030675).	1
8	C 25503	HARNES - wire	1
9	C 24460	CONNECTOR - switch	1
10	C 24800	SWITCH - neutral start	1
11	NSS	SOLENOID - start (use C 26525)	1
12	NSS	BATTERY - 12 volt (includes caps, vent hose and hardware)(use C26425)	1
	C 24656	CAP - battery (use before S/N 14014631)	6
12	C 26425	BATTERY - 12 volt (includes caps, vent hose and hardware)	1
	C 26426	CAP - battery (use S/N 14014631 and after)	6
13	C 24346	CHARGER - battery, 12 volt (American usage) (use before S/N 14030675)	1
13	C 25059	CHARGER - battery, 12 volt (European usage) (use before S/N 14030675)	1
14	C 24145	SWITCH ASSEMBLY - ignition (includes washer and key)	1

NEUTRAL START SWITCH ACTUATOR

1	C 25536	STRAP - actuator	1
2	C 25537	WIRE - actuator	1
3	C 25538	SPACER	1
4	C 19867	SPRING - compression	1
5	113- 17	BOLT - 1/4" - 20 x 1-1/4" hex	1
6	195- 518	WASHER - 1/4"	2
7	195- 525	WASHER - 3/8"	1
8	131- 1180	NUT - lock 1/4" - 20 hex	1



ELECTRICAL SYSTEM
(use S/N 14030675 and after)



1	C	27532	HARNES - wire	1
2	C	27533	WIRE - solenoid to engine (red)	1
	C	26142	HOUSING - socket	1
3	C	27521	CABLE - battery positive to solenoid (red)	1
4	C	27534	CABLE - solenoid to starter (red)	1
5	C	27541	HARNES - wire	1
6	C	24460	CONNECTOR - switch	1
7	C	24800	SWITCH - neutral start	1
8	C	27549	CONNECTOR - solenoid	1
9	C	27523	SOLENOID - start	1
10	C	26425	BATTERY -,12 volt (includes caps, vent hose and hardware)	1
	C	26426	CAP - battery	6
11	C	24145	SWITCH - ignition	1
12	BR	392749	STARTER - engine, 12 volt	1

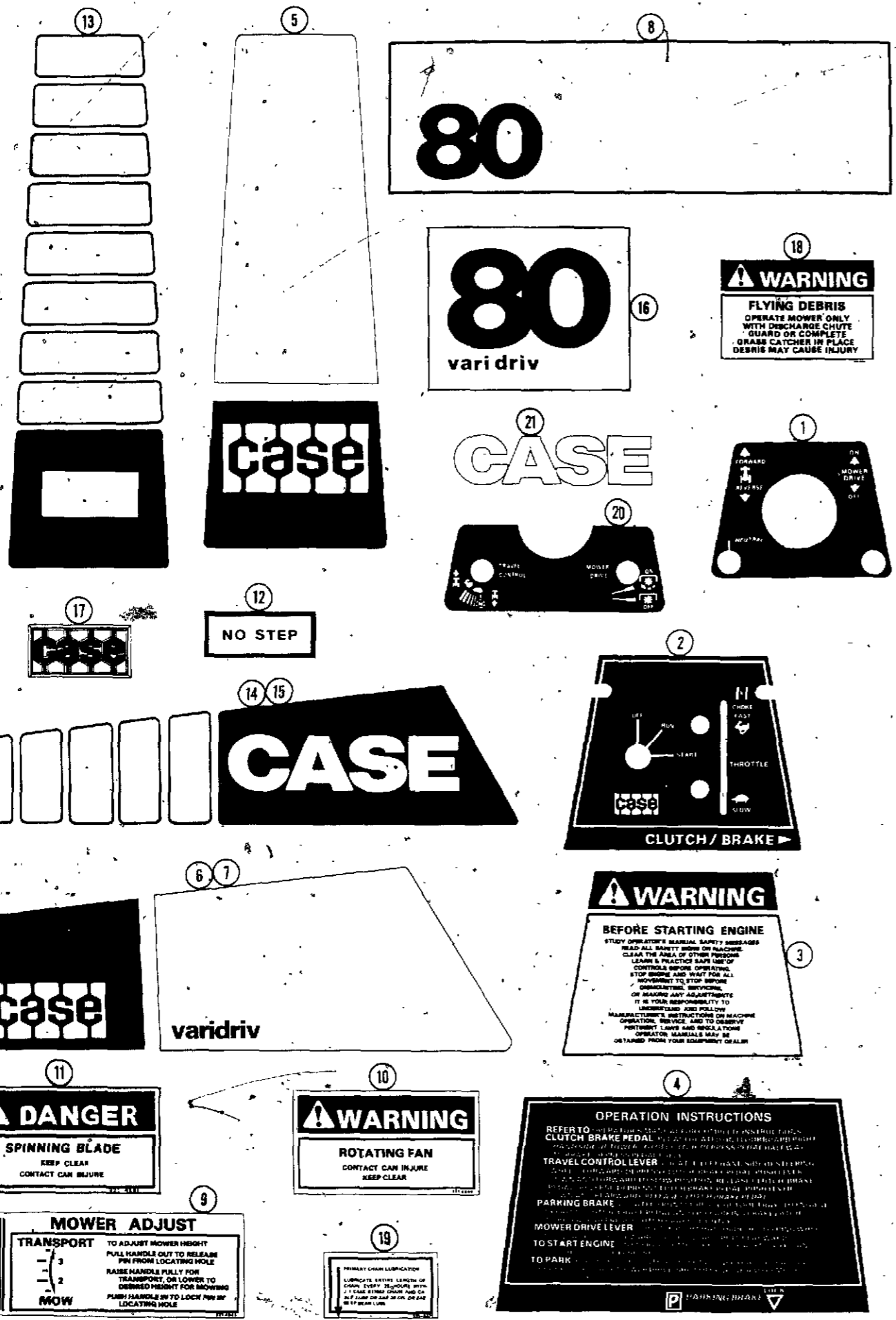
MODEL 80 RIDING LAWMOWER

DECALS (English)
(Use before S/N 14030675)

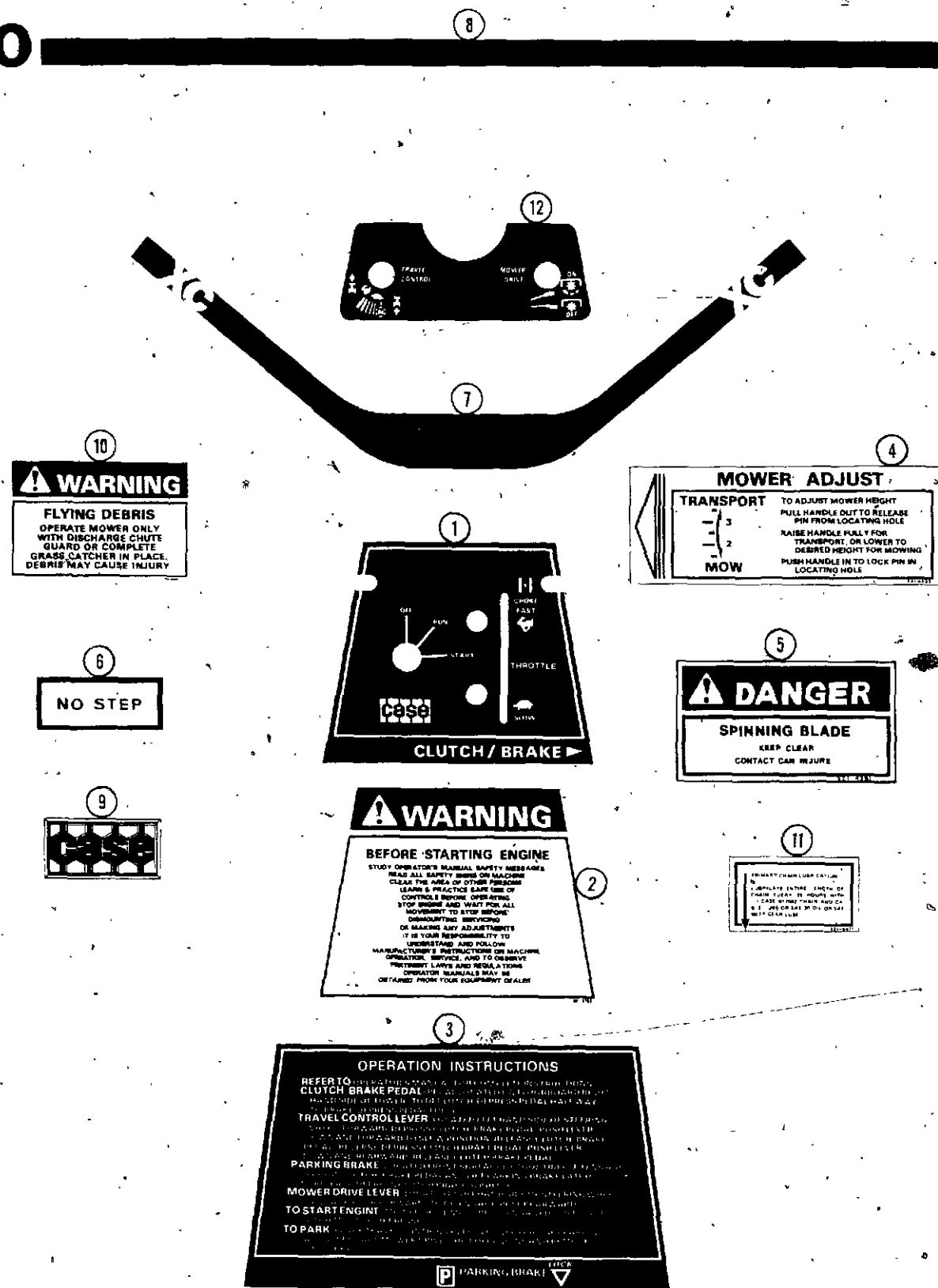
REF.	PART NO.	DESCRIPTION	REQ'D
1	321- 5475	DECAL - crown (used S/N 9759204 to 9775910)	1
1	321- 4300	DECAL - crown (used prior to S/N 9759204)	1
2	321- 5733	DECAL - ignition and throttle	1
3	321- 5732	DECAL - "WARNING"	1
4	321- 4625	DECAL - operation	1
5	321- 4304	DECAL - tower, front (used prior to S/N 9759204)	1
6	321- 4301	DECAL - engine enclosure R.H. (shown) (used prior to S/N 9759204)	1
7	321- 4302	DECAL - engine enclosure L.H. (used prior to S/N 9759204)	1
8	321- 4303	DECAL - engine enclosure, top (used prior to S/N 9759204)	1
9	321- 4343	DECAL - mower height adjust	1
10	321- 4346	DECAL - "WARNING" fan (use before S/N 9776118)	1
11	321- 4381	DECAL - "DANGER" blade	1
12	C 12519	DECAL - "NO STEP"	1
13	321- 5095	DECAL - tower, front (used S/N 9759204 and after)	1
14	321- 5092	DECAL - engine enclosure R.H. (shown) (used S/N 9759204 and after)	1
15	321- 5093	DECAL - engine enclosure L.H. (used S/N 9759204 and after)	1
16	321- 5094	DECAL - "80 vari driv" (used S/N 9759204 and after)	1
17	321- 5040	MEDALLION - tower, front (used S/N 9759204 and after)	1
18	321- 6619	DECAL - "WARNING" flying debris	1
19	C 26936	DECAL - chain lubrication	1
20	321- 6242	DECAL - crown (use S/N 9775910 and after)	1
21	321- 5097	DECAL - "Case" (use S/N 9776118 and after)	1

DECALS (Bilingual)
(French and English)
(use before S/N 14030675)

1	321- 4746	DECAL - crown (use before S/N 9775910)	1
2	321- 4747	DECAL - ignition and throttle	1
3	321- 4766	DECAL - "WARNING"	1
4	321- 4765	DECAL - operation	1
5	NSS	DECAL - tower, front	1
6	NSS	DECAL - engine enclosure R.H. (shown)	1
7	NSS	DECAL - engine enclosure L.H.	1
8	NSS	DECAL - engine enclosure, top	1
9	321- 4755	DECAL - mower height adjust	1
10	321- 4748	DECAL - fan "WARNING" (use before S/N 9776118)	1
11	321- 4763	DECAL - "CAUTION" blade	1
12	321- 4726	DECAL - "NO STEP"	1
18	321- 6642	DECAL - "DANGER" flying debris	1
19	C 26937	DECAL - chain lubrication	1
20	C 26483	DECAL - crown (use S/N 9775910 and after)	1



80



DECALS (English)
(use S/N 14030675 and after)

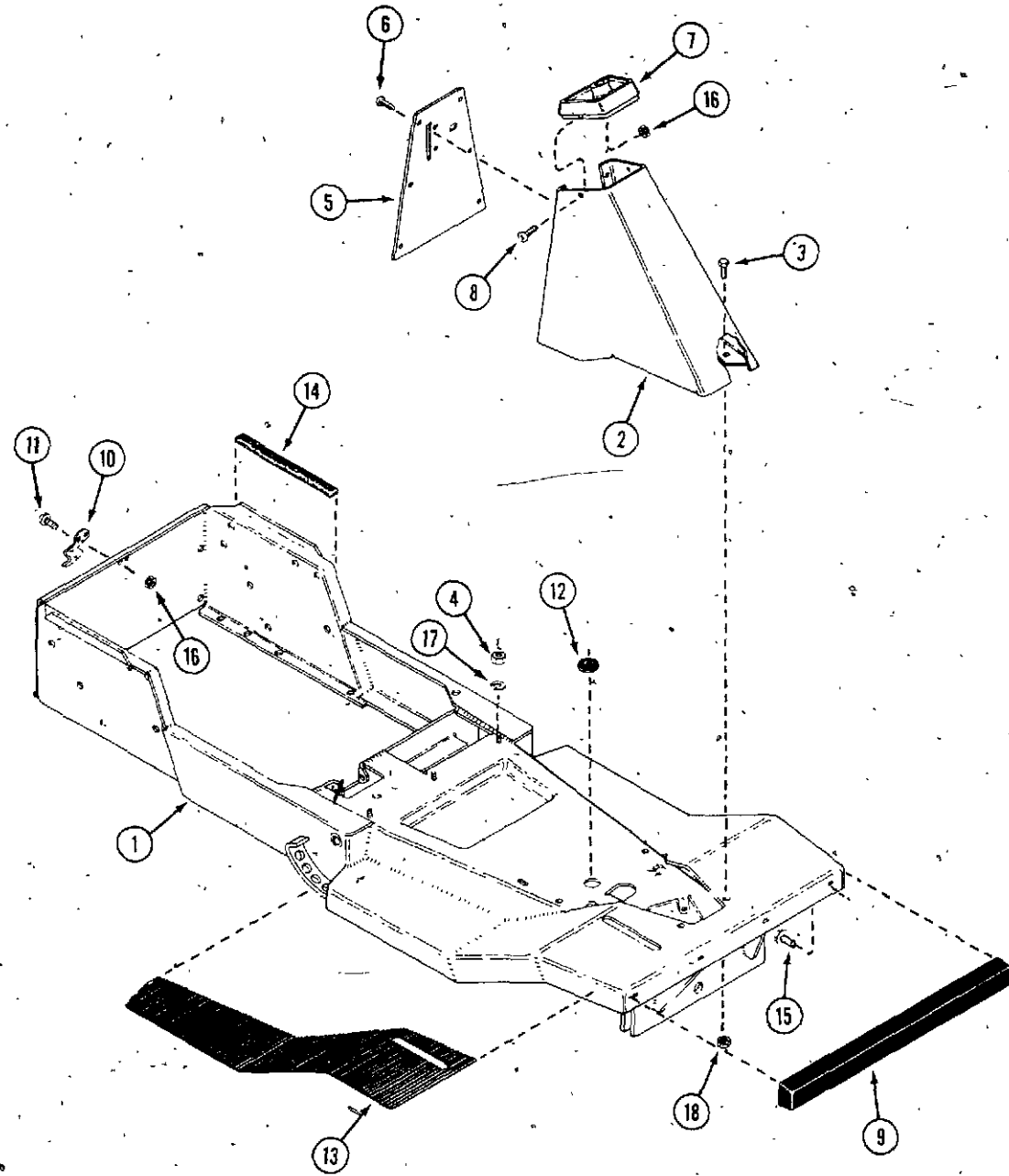
REF.	PART NO.	DESCRIPTION	REQ'D
1	321- 5733	DECAL - ignition and throttle	1
2	321- 5732	DECAL - "WARNING"	1
3	321- 4625	DECAL - operation	1
4	321- 4343	DECAL - mower height adjust	1
5	321- 4381	DECAL - "DANGER" blade	1
6	C 12519	DECAL - "NO STEP"	1
7	C 27166	DECAL - tower, front	1
8	C 27165	DECAL - engine enclosure R.H. (shown)	1
8	C 27164	DECAL - engine enclosure L.H.	1
9	321- 5040	MEDALLION - tower, front	1
10	321- 6619	DECAL - "WARNING" flying debris	1
11	C 26936	DECAL - chain lubrication	1
12	321- 6242	DECAL - crown	1

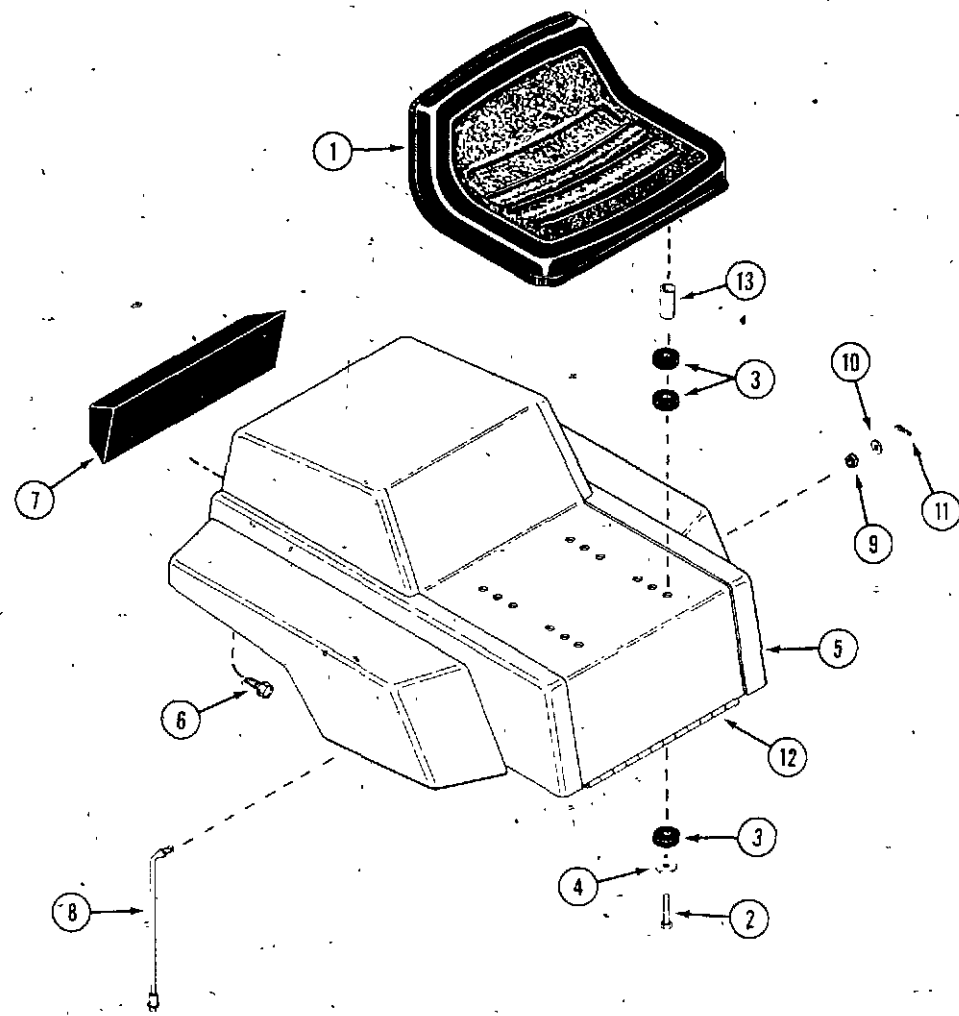
DECALS (Bilingual)
(French and English)
(use S/N 14030675 and after)

1	321- 4747	DECAL - ignition and throttle	1
2	321- 4766	DECAL - "WARNING"	1
3	C 26482	DECAL - operation	1
4	321- 4755	DECAL - mower height adjust	1
5	321- 4763	DECAL - "CAUTION" blade	1
6	321- 4726	DECAL - "NO STEP"	1
11	321- 6642	DECAL - "DANGER" flying debris	1
12	C 26937	DECAL - chain lubrication	1
13	C 26483	DECAL - crown	1

FRAME AND INSTRUMENT TOWER

REF.	PART NO.	DESCRIPTION	REQ'D
1	C 27544	FRAME - main (used S/N 9746098 and after)	1
1	C 24021	FRAME - main (used prior to S/N 9746098)	1
2	C 23349	TOWER - instrument and control	1
3	113- 2	BOLT - 1/4" - 20 x 5/8" hex	4
4	129- 101	NUT - 1/4" - 20 hex	4
5	C 23351	PANEL - instrument	1
6	187- 1334	SCREW - #8 x 1/2" Phillips hd.	6
7	C 23552	CROWN - tower (use before S/N 9775910) shown	1
7	C 25548	CROWN - tower (use S/N 9775910 and after)	1
8	182- 516	SCREW - #10 - 24 x 3/4" pan hd. Phillips	2
9	C 25849	BUMPER - front, rubber	1
10	C 24536	LATCH - spring, rear enclosure (early production)	1
11	182- 516	SCREW - #10 - 24 x 3/4" (early production)	2
12	49567	GROMMET - rubber	1
13	NSS	PAD - foot, rubber, R. H. (use before S/N 9776165) (use C 25848)	1
13	NSS	PAD - foot, rubber, L.H. (use before S/N 9776165) (use C 25847)	1
13	C 25848	PAD - foot, rubber, R.H. (use S/N 9776165 and after)	1
13	C 25847	PAD - foot, rubber, L.H. (use S/N 9776165 and after)	1
14	C 24529	CUSHION - rear enclosure	2
15	187- 1908	SCREW - self tap #1 - x 5/8" hex (early production)	4
16	131- 67	NUT - lock #10 - 24 hex	4
17	192- 19	LOCKWASHER - 1/4"	3
18	131- 1102	NUT - lock 1/4" - 20	4



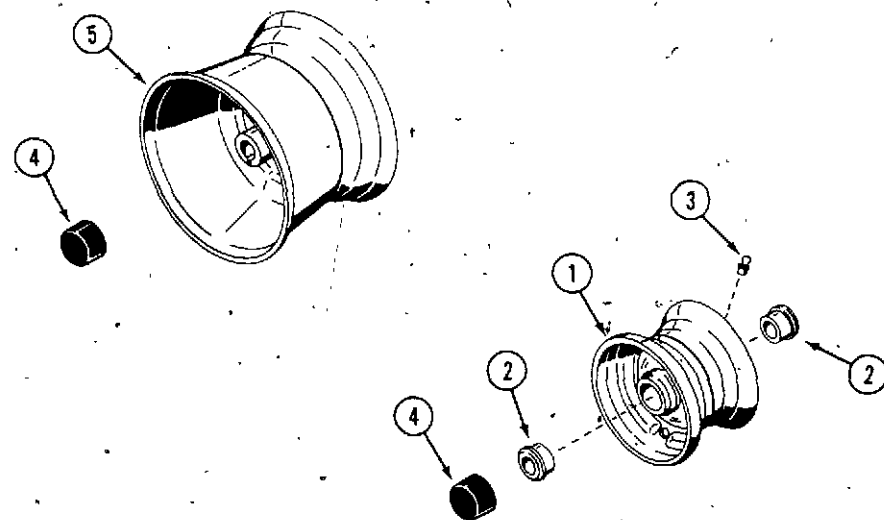


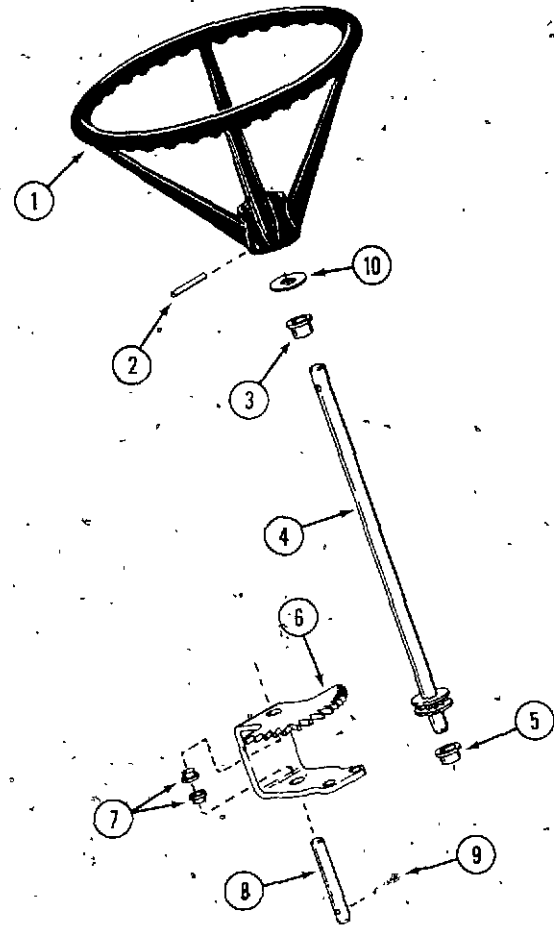
SEAT AND REAR ENGINE ENCLOSURE

REF.	PART NO.	DESCRIPTION	REQ'D
1	NSS	SEAT - white (use C24092)	1
1	C 24092	SEAT - black	1
2	113- 120	BOLT - 5/16" - 18 x 1-3/4"	4
3	D- 59705	CUSHION - rubber, seat	12
4	195- 2175	WASHER - 5/16" I.D. x 1-1/4" O.D.	4
5	C- 25866	ENCLOSURE - engine, rear	1
6	187- 1908	SCREW - self tap #10 x 5/8" hex (early production)	6
7	C 24093	BUMPER - rear, rubber (early production)	1
8	C 24562	ROD - prop, hood	1
9	C 24574	BUSHING - rod, hood prop	1
10	195- 518	WASHER - 9/32" I.D. x 5/8" O.D.	1
11	132- 378	PIN - cotter 1/16" x 3/4"	1
12	C 24091	HINGE - enclosure	1
13	C 22023	SPACER - (late production)	4

FRONT AND REAR WHEELS

1	C 24502	WHEEL - front	2
2	C 24503	BUSHING - wheel	4
3	219- 10	FITTING - lube 1/4" - 28 taper	2
4	C 26526	CAP - hub, plastic	4
5	C 24505	WHEEL - rear	2



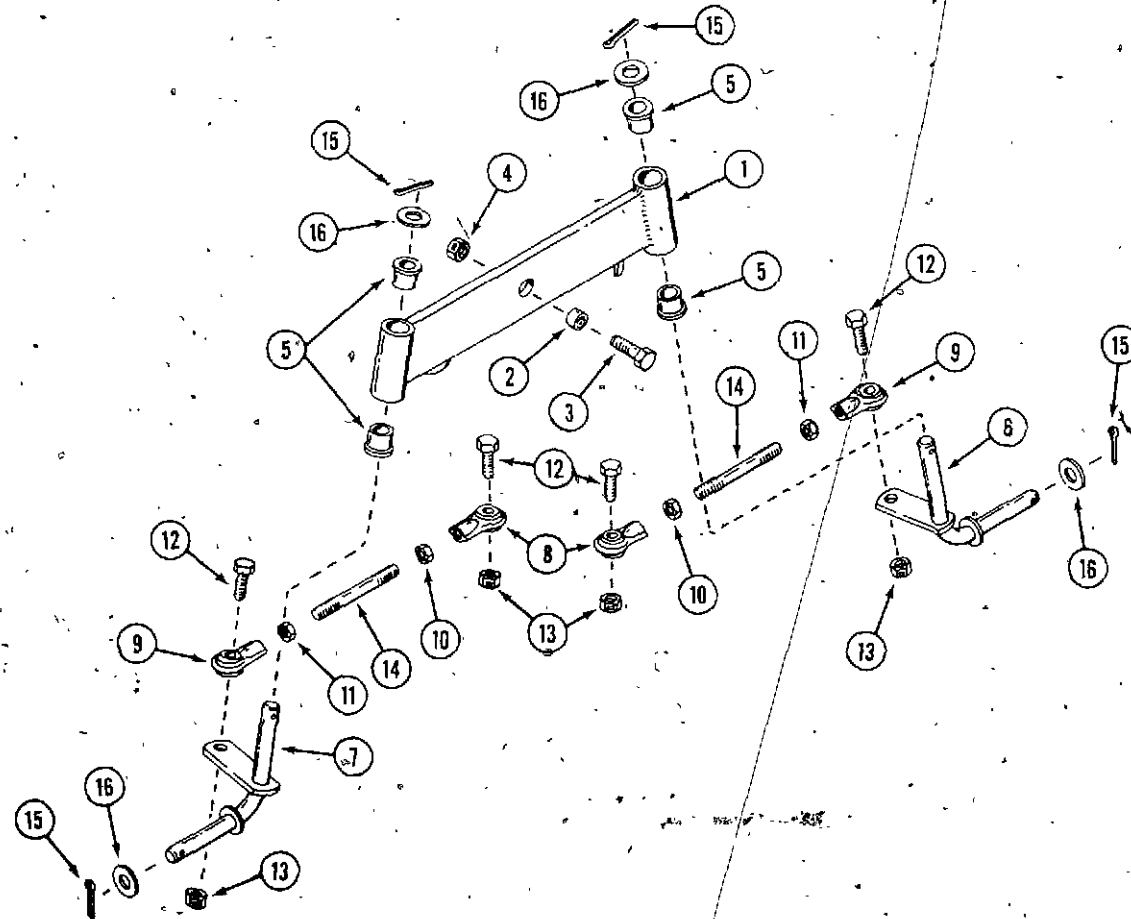


STEERING ASSEMBLY

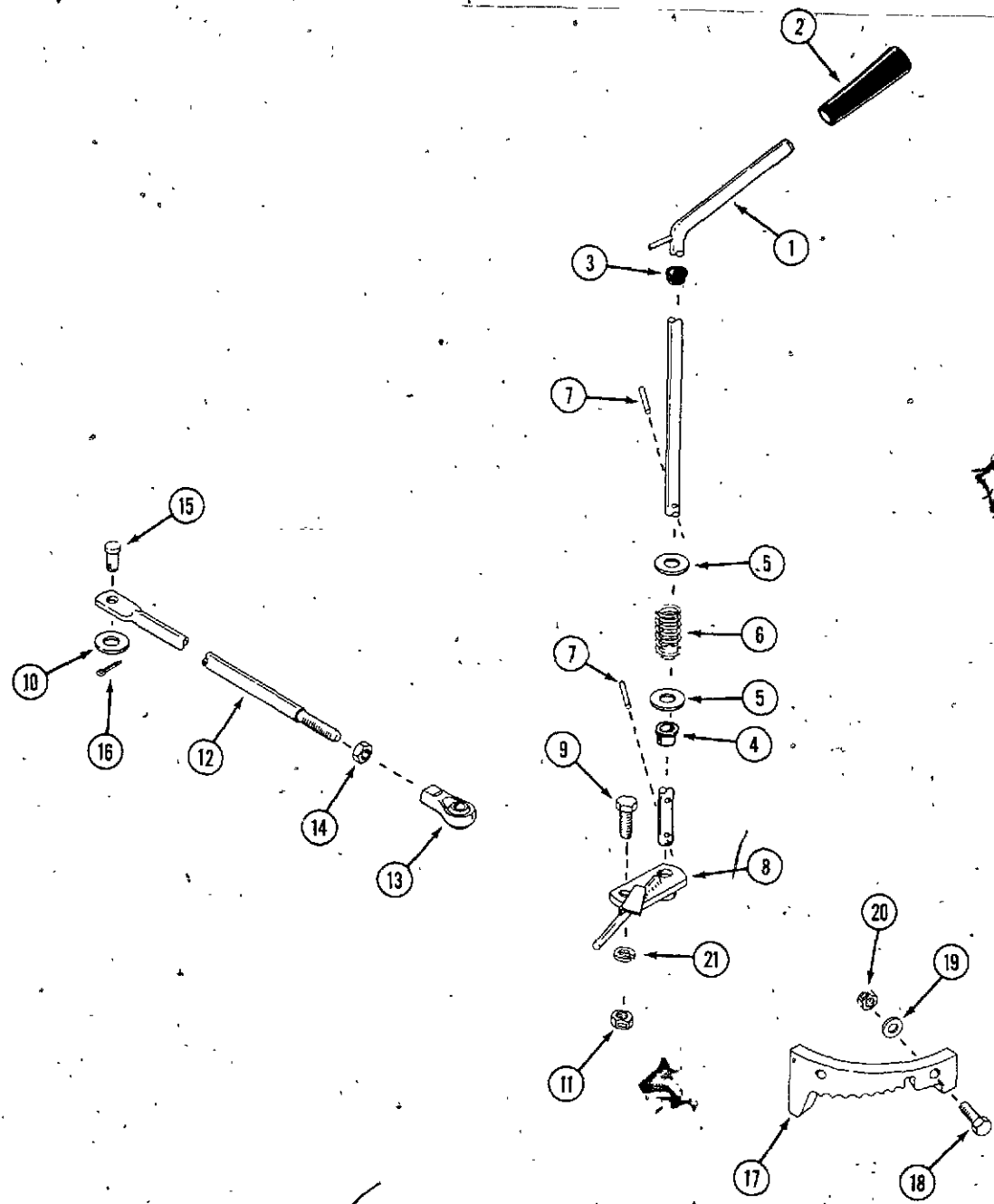
REF.	PART NO.	DESCRIPTION	REQ'D
1	C 24100	WHEEL - steering	1
2	138- 143	PIN - steering wheel to shaft	1
3	C 15096	BUSHING - flange, nylon (not req'd after S/N 9775910)	1
4	C 24189	SHAFT - steering	1
5	C 27501	BUSHING - flange, bronze	1
6	C 24179	GEAR - sector, steering	1
7	C 24182	BUSHING - flange, bronze	2
8	C 24200	PIN - pivot, sector gear (service part)	1
9	132- 49	PIN - cotter 1/8" x 1-1/8"	1
10	195- 541	WASHER - 5/8"	4

FRONT AXLE

1	C 24178	AXLE - front	1
2	VB 1054	BUSHING - axle pivot	1
3	113- 410	BOLT - 1/2" - 13 x 1-1/2"	1
4	131- 1182	NUT - lock 1/2" - 13 hex	1
5	C 25846	BUSHING - flange	4
6	C 23968	SPINDLE - left hand	1
7	C 23967	SPINDLE - right hand	1
8	C 26333	BALL JOINT - L.H. thread	2
9	C 26332	BALL JOINT - R.H. thread	2
10	129- 289	NUT - jam 3/8" - 24 hex, L.H. thread	2
11	129- 163	NUT - jam 3/8" - 24 hex	2
12	113- 208	BOLT - 3/8" - 16 x 1-1/4"	4
13	131- 1181	NUT - lock 3/8" - 16 hex	4
14	C 23964	TIE ROD	2
15	132- 49	PIN - cotter 1/8" x 1-1/8"	4
16	A 30881	WASHER	4



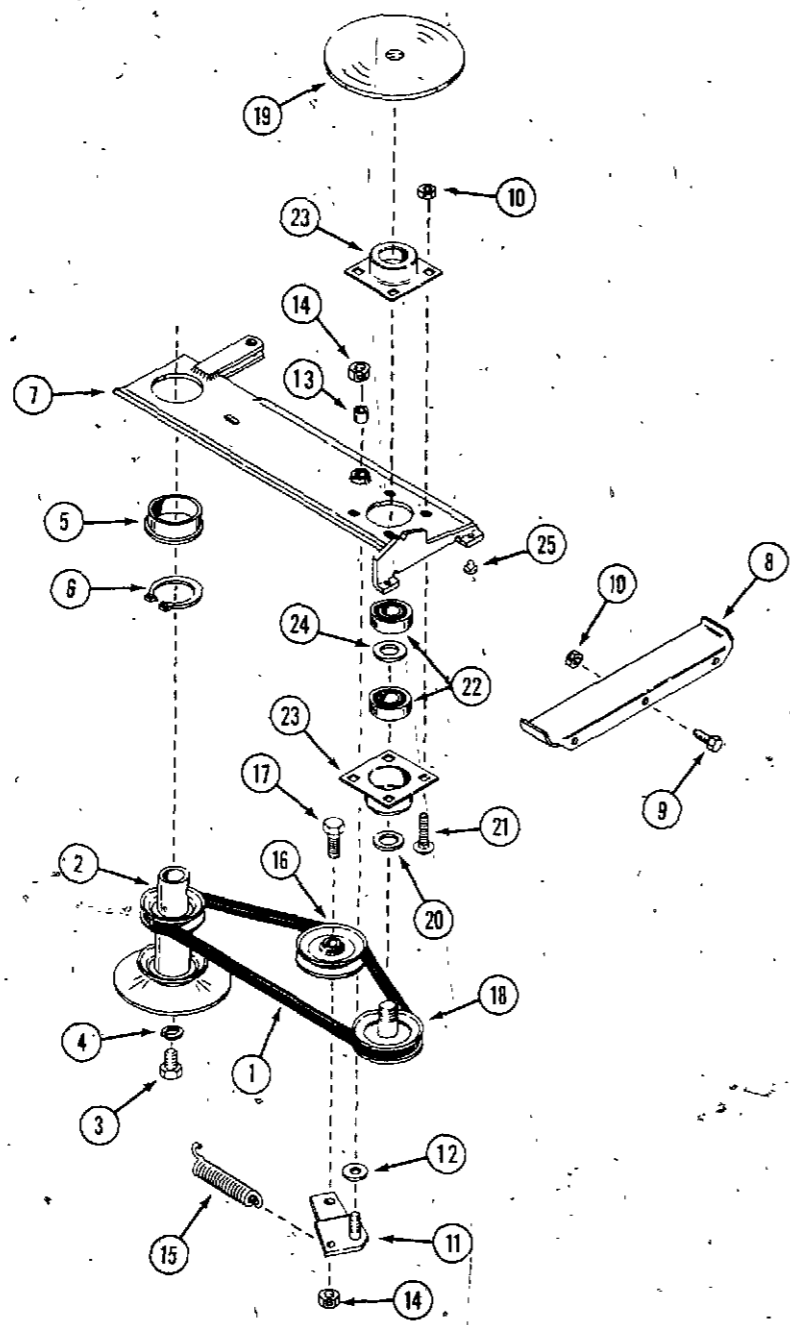
TRAVEL CONTROL



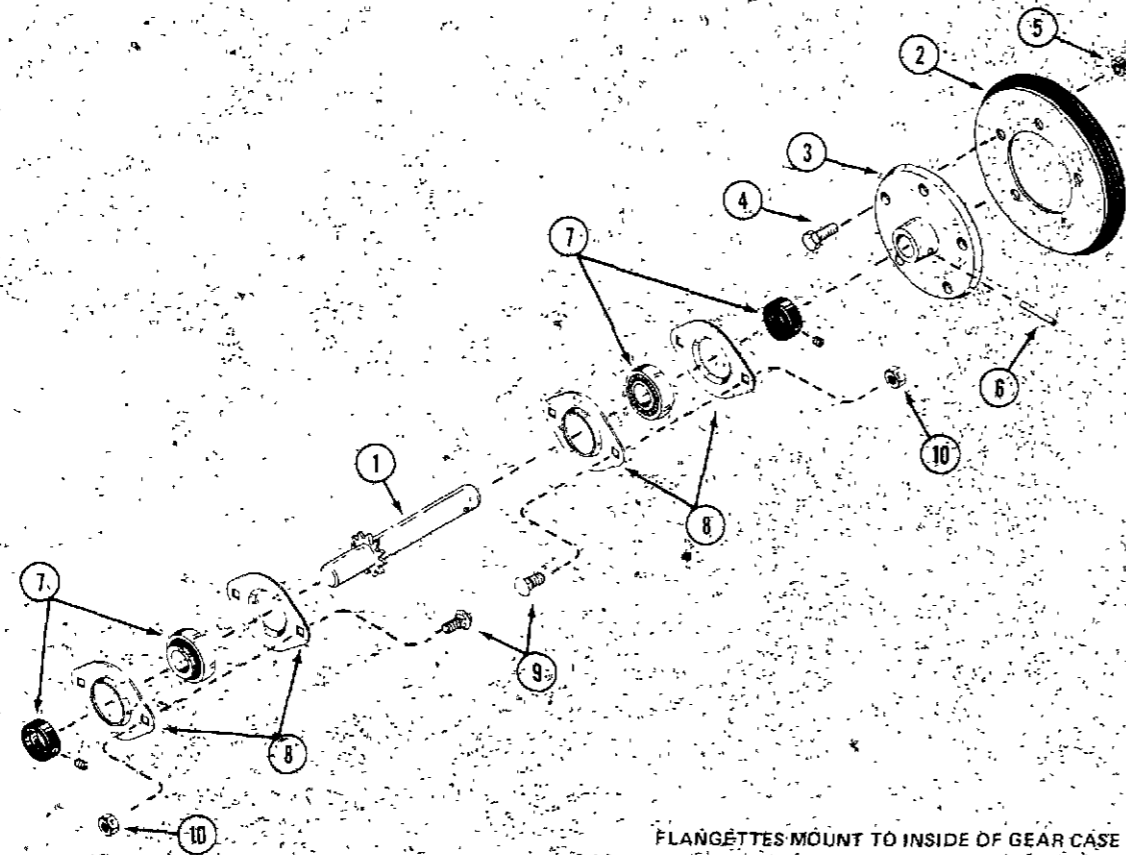
REF.	PART NO.	DESCRIPTION	REQ'D
1	C 25550	LEVER - travel control (use S/N 9775910 and after)	1
1	C 24451	LEVER - travel control (use before S/N 9775910)	1
2	A 37247	KNOB - travel control lever	1
3	353- 442	BUSHING - nylon (use before S/N 9775910)	1
4	C 12093	BUSHING - split, nylon (used prior to S/N 9759204)	1
4	C 25229	BEARING - flange (used S/N 9759204 and after)	1
5	195- 533	WASHER	2
6	C 24669	SPRING - control lever	1
7	138- 96	PIN - roll 3/16" x 1"	2
8	C 24165	ARM - travel control (service part)	1
9	113- 208	BOLT - 3/8" - 16 x 1-1/4" hex	1
10	195- 103	WASHER - 3/8"	1
11	131- 1181	NUT - lock 3/8" - 16 hex	1
12	C 24151	ROD - control (arm to pivot plate)	1
13	C 26332	BALL JOINT - control rod, R.H. thread	1
14	129- 163	NUT - jam 3/8" - 24 hex	1
15	141- 4	PIN - clevis	1
16	132- 321	PIN - cotter 3/32" x 1"	1
17	C 24401	LOCATOR - travel control	1
18	113- 103	BOLT - 5/16" - 18 x 1" hex	2
19	195- 521	WASHER - 5/16"	2
20	131- 176	NUT - lock 5/16" - 18 hex	2
21	192- 21	LOCKWASHER - 3/8" (for clearance)	2

UAR

TRANSMISSION DRIVE PIVOT



REF.	PART NO.	DESCRIPTION	REQ'D
1	C 24342	BELT - traction drive	1
2	C 23765	PULLEY - engine	1
3	114- 308	BOLT - 7/16" - 20 x 3/4" hex	1
4	192- 22	LOCK WASHER - 7/16"	1
5	C 24480	BUSHING - flange	1
6	D 23191	SNAP RING - external	1
7	C 24153	PLATE - pivot	1
8	C 24160	PLATE - slide, pivot plate	1
9	113- 118	BOLT - 5/16" - 18 x 5/8" hex	3
10	131- 176	NUT - lock 5/16" - 18 hex	7
11	C 22931	ARM - idler	1
12	195- 522	WASHER - 3/8"	1
13	C 17203	BUSHING - sleeve	1
14	131- 1181	NUT - lock 3/8" - 16 hex	2
15	C 24321	SPRING - idler arm	1
16	C 17213	PULLEY - idler, "V" belt	1
17	113- 209	BOLT - 3/8" - 16 x 1-1/2" hex	1
18	C 24128	PULLEY AND SHAFT ASSEMBLY - disc drive	1
19	C 24193	DISC - friction drive	1
20	C 12975	WASHER	1
21	111- 132	BOLT - 5/16" x 3/4" round head, square neck	4
22	A 70280	BEARING - roller	2
23	C 23818	FLANGETTE	2
24	A 30881	WASHER	1
25	C 26458	BUTTON - slide	2



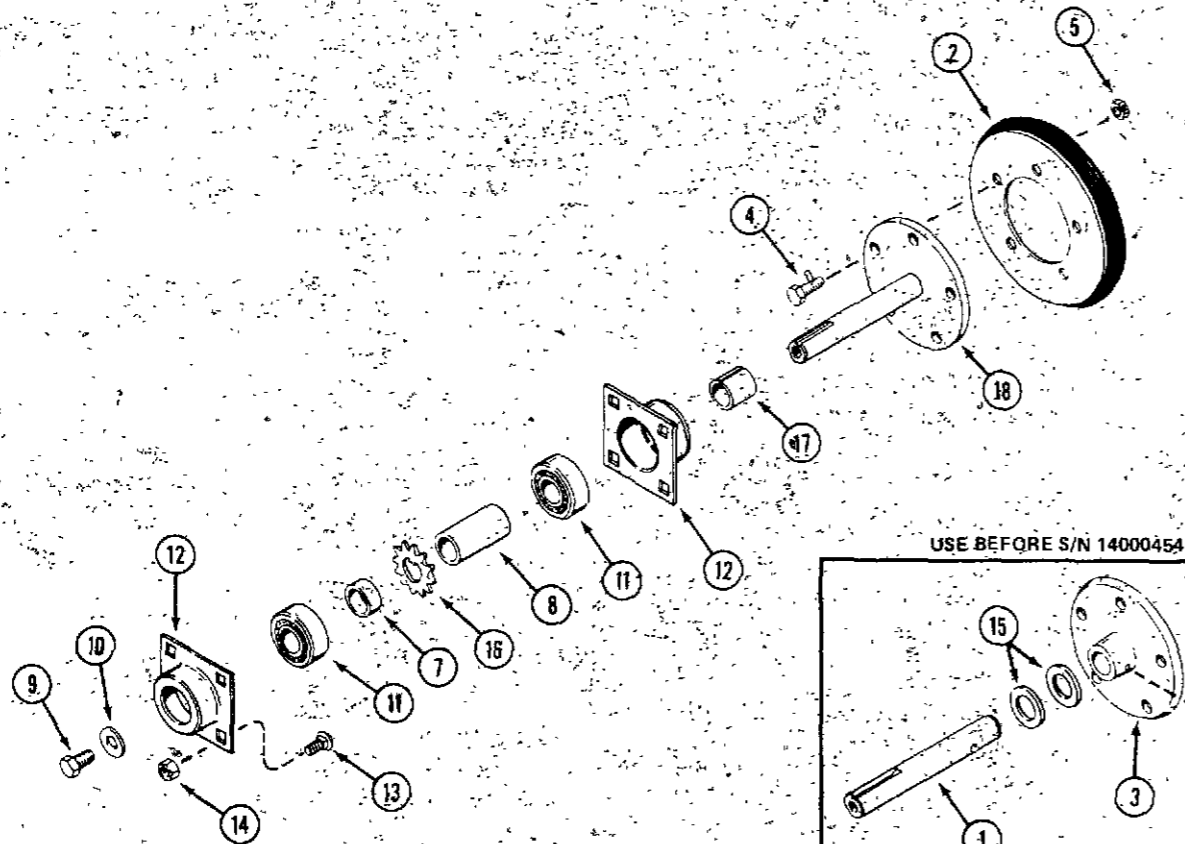
FLANGETTES MOUNT TO INSIDE OF GEAR CASE

**DRIVE SHAFT ASSEMBLY
(PRIMARY DRIVE)
(USED PRIOR TO S/N 9759204)**

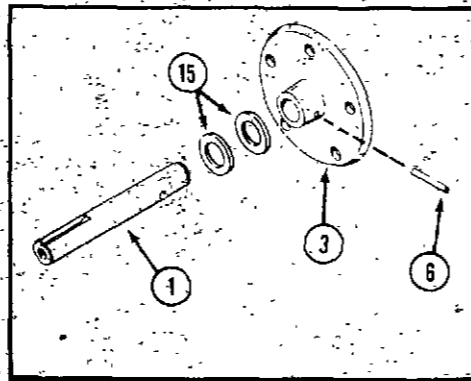
REF.	PART NO.	DESCRIPTION	REQ'D
1	C 23984	SHAFT - primary drive	1
2	C 22891	WHEEL - friction drive	1
3	C 24459	FLANGE - friction wheel	1
4	113 102	BOLT - 5/16" - 18 x 3/4" hex	5
5	131 176	NUT - lock 5/16" - 18 x 3/4" hex	5
6	138 2055	PIN - spirol 3/16" x 1-1/2"	1
7	C 14419	BEARING AND LOCKING COLLAR ASSEMBLY - includes set screw	2
8	C 15614	FLANGETTE - bearing	4
9	111 202	BOLT - 5/16" - 18 x 3/4" rd. hd. sq. neck	4
10	131 176	NUT - lock 5/16" - 18 hex	4

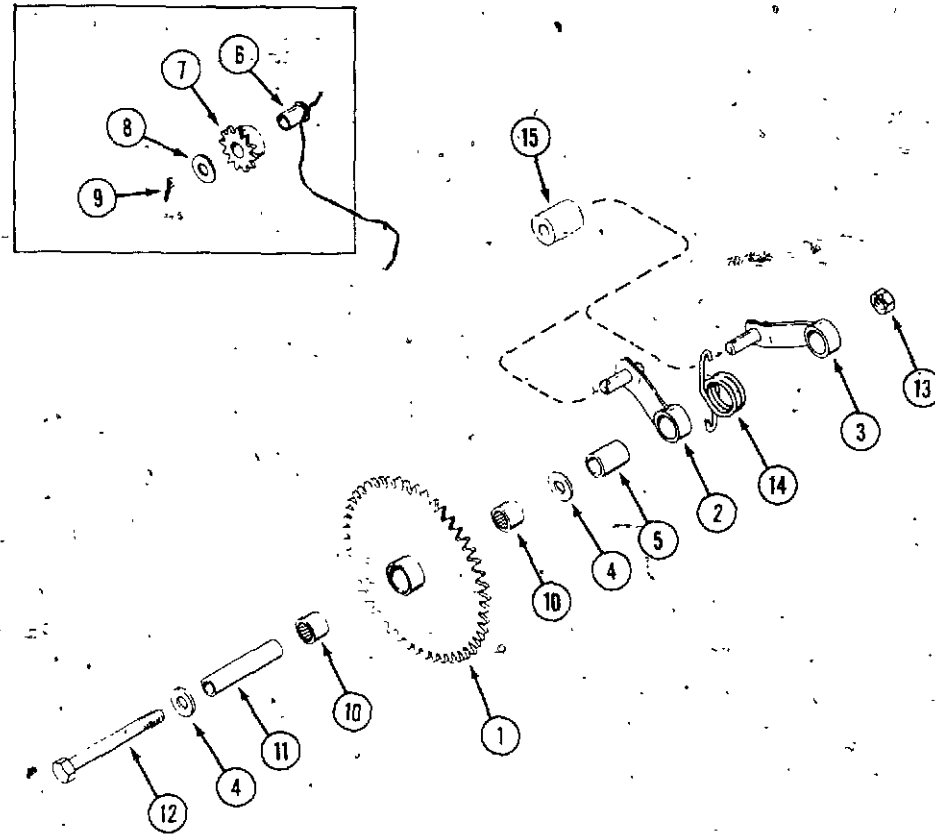
**DRIVE SHAFT ASSEMBLY
(PRIMARY DRIVE)
USED S/N 9759204 AND AFTER**

1	NSS	SHAFT - primary drive (use C26129 and C26130 for service)	1
2	C 22891	WHEEL - friction drive	1
3	C 24459	FLANGE - friction wheel mounting	1
4	113 102	BOLT - 5/16" - 18 x 3/4" hex	5
5	131 176	NUT - lock 5/16" - 18 hex	5
6	138 2055	PIN - spirol 3/16" x 1-1/2"	1
7	C 25097	SPACER - short	1
8	C 25098	SPACER - long	1
9	113 205	BOLT - 3/8" - 16 x 5/8" hex	1
10	D 33544	WASHER	1
11	A 70280	BEARING - 3/4" bore	2
12	C 23818	FLANGETTE - bearing	1
13	111 132	BOLT - 5/16" - 18 x 3/4" hex, round head, square neck	4
14	131 176	NUT - lock 5/16" - 18 hex	4
15	A 70282	WASHER - 3/4" x 1-1/4"	2
16	C 25095	SPROCKET - drive	1
17	C 26129	SPACER - rolled	1
18	C 26130	SHAFT ASSEMBLY - primary drive	1



USE BEFORE S/N 14000454





**JACKSHAFT ASSEMBLY
(INTERMEDIATE DRIVE)
(USED S/N 9759204 AND AFTER)**

REF.	PART NO.	DESCRIPTION	REQ'D.
1	C 25087	SPROCKET ASSEMBLY - intermediate drive	1
2	C 26886	ARM - idler (upper)	1
3	C 26887	ARM - idler (lower)	1
4	G 49402	WASHER - shim.	2
5	C 25091	BUSHING - sleeve	1
6	C 24373	BEARING - flange (use before S/N 14030552)	2
7	NSS*	SPROCKET - idler (use before S/N 14030552)	2
8	195- 522	WASHER - 3/8"	2
9	132- 333	PIN - cotter 1/8" x 5/8"	2
10	C 25092	BEARING - 9/16" bore	1
11	C 25093	SPACER - bearing race	1
12	113- 252	BOLT - 3/8" - 16 x 3-3/4" hex	1
13	131- 1181	NUT - lock 3/8" - 16 hex.	1
14	C 24225	SPRING - torsion, idler arms	1
15	C 26862	ROLLER - idler (use S/N 14030552 and after)	2

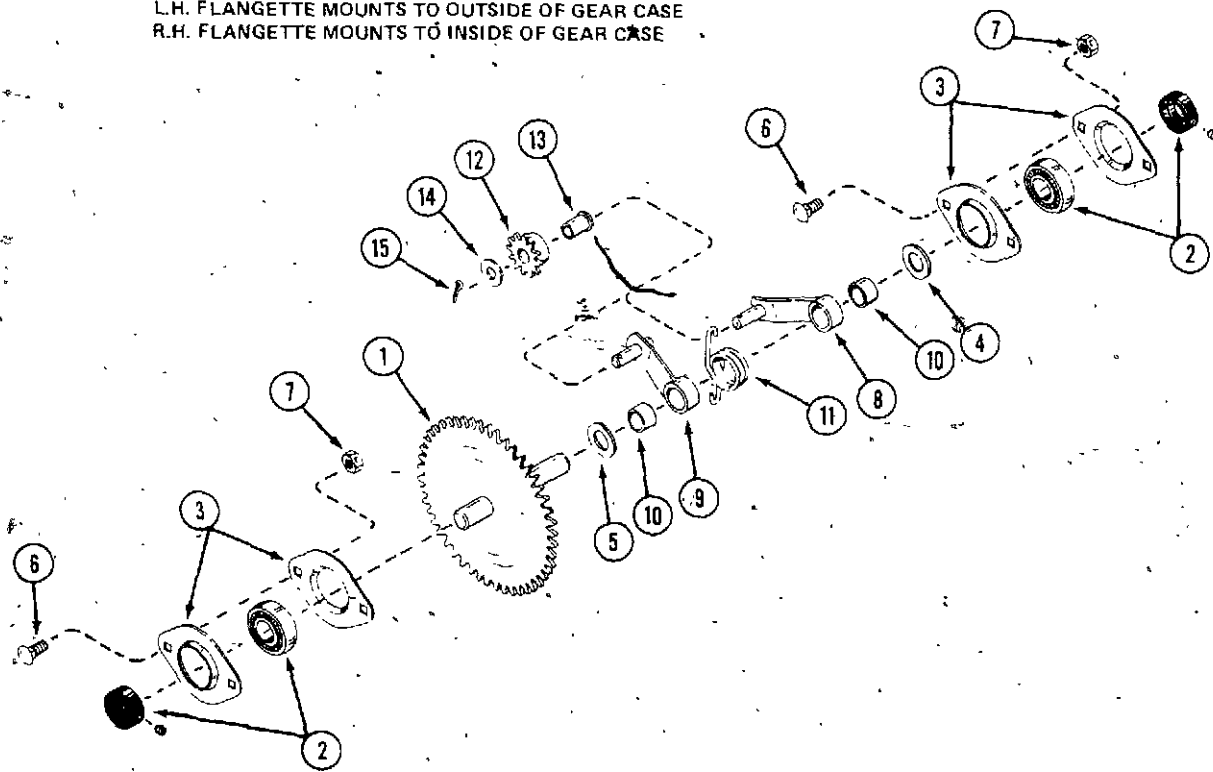
*use C26862 roller, does not require cotter pin, washer or bearing

**JACK SHAFT ASSEMBLY
(INTERMEDIATE DRIVE)
(USED PRIOR TO S/N 9759204)**

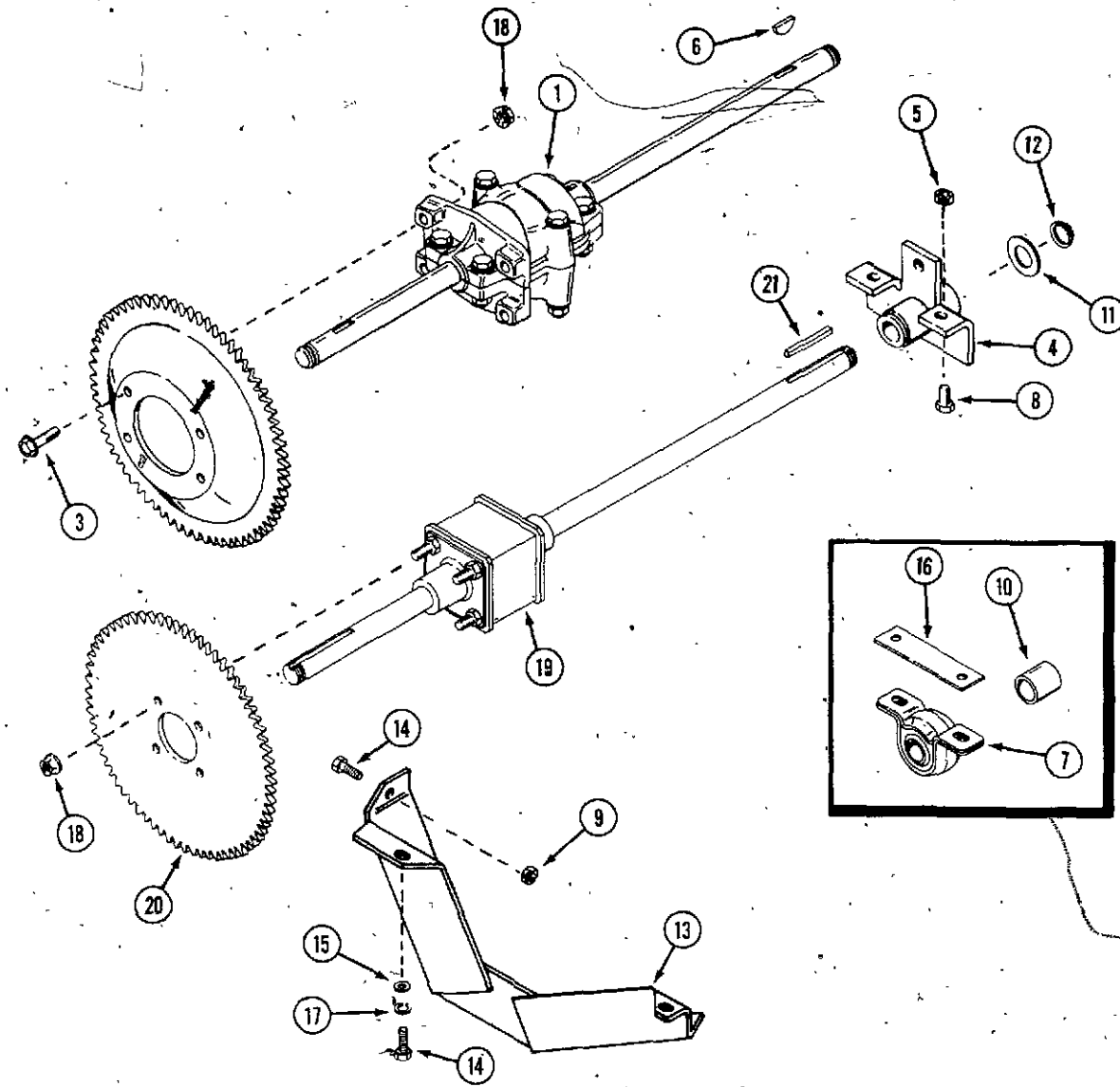
1	C 22883	JACKSHAFT - intermediate drive	1
2	C 15385	BEARING AND LOCKING COLLAR ASSEMBLY - includes set screw	2
3	C 15386	FLANGETTE - bearing	4
4	C 15151	WASHER - thrust 5/8"	1
5	195- 2069	WASHER - spacer 5/8"	1
6	111- 108	BOLT - 1/4" - 20 x 3/4" rd. head, sq. neck	4
7	131- 1102	NUT - lock 1/4" - 20 hex	4
8	C 24209	ARM - idler (lower)	1
9	C 24210	ARM - idler (upper)	1
10	R 30880	BUSHING - sleeve	2
11	C 24225	SPRING - torsion, idler arms	1
12	NSS*	SPROCKET - idler	2
13	C 24373	BUSHING - flange	2
14	195- 522	WASHER - 3/8"	2
15	132- 333	PIN - cotter 1/8" x 5/8"	2

*use C26892 roller, does not require cotter pin, washer or bearing

L.H. FLANGETTE MOUNTS TO OUTSIDE OF GEAR CASE
R.H. FLANGETTE MOUNTS TO INSIDE OF GEAR CASE



REAR AXLE

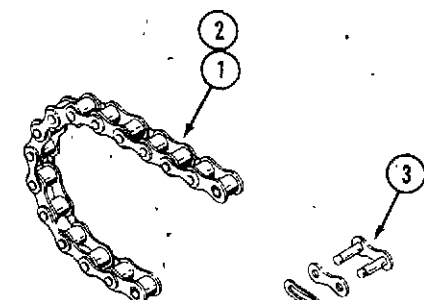


REF.	PART NO.	DESCRIPTION	REQ'D
1	NSS*	DIFFERENTIAL ASSEMBLY (use before S/N 14015329)	1
2	C 24277	SPROCKET - drive, differential (use before S/N 14015329)	1
3	C 25149	BOLT - 5/16" - 18 x 1" hex, Whiz Loc	4
4	C 25200	BEARING AND RETAINER ASSEMBLY	2
5	131- 176	NUT - lock 5/16" - 18 hex	6
6	126- 19	KEY - wood ruff 3/16" x 7/8" (use before S/N 14015329)	2
7	NSS	BEARING - pillow block (use item 4)	2
8	113- 118	BOLT - 5/16" - 18 x 5/8"	6
9	131- 1102	NUT - 1/4" - 20 hex lock	1
10	NSS	SLEEVE - spacer	2
11	A 30881	WASHER - spacer	UAR
12	T 25683	RING - snap	2
13	C 25908	GUARD - chain	1
14	113- 1	BOLT - 1/4" - 20 x 1/2" hex	3
15	195- 518	WASHER - 1/4"	2
16	NSS	PLATE - spacer	1
17	192- 19	LOCKWASHER - 1/4"	2
18	131- 911	NUT - flange lock 5/16" - 18 hex	4
19	C 27425	DIFFERENTIAL ASSEMBLY - use S/N 14015329 and after	1
20	C 26729	SPROCKET - differential (use S/N 14015329 and after)	1
21	B 90363	KEY - 3/16" square x 2" (use S/N 14015329 and after)	2

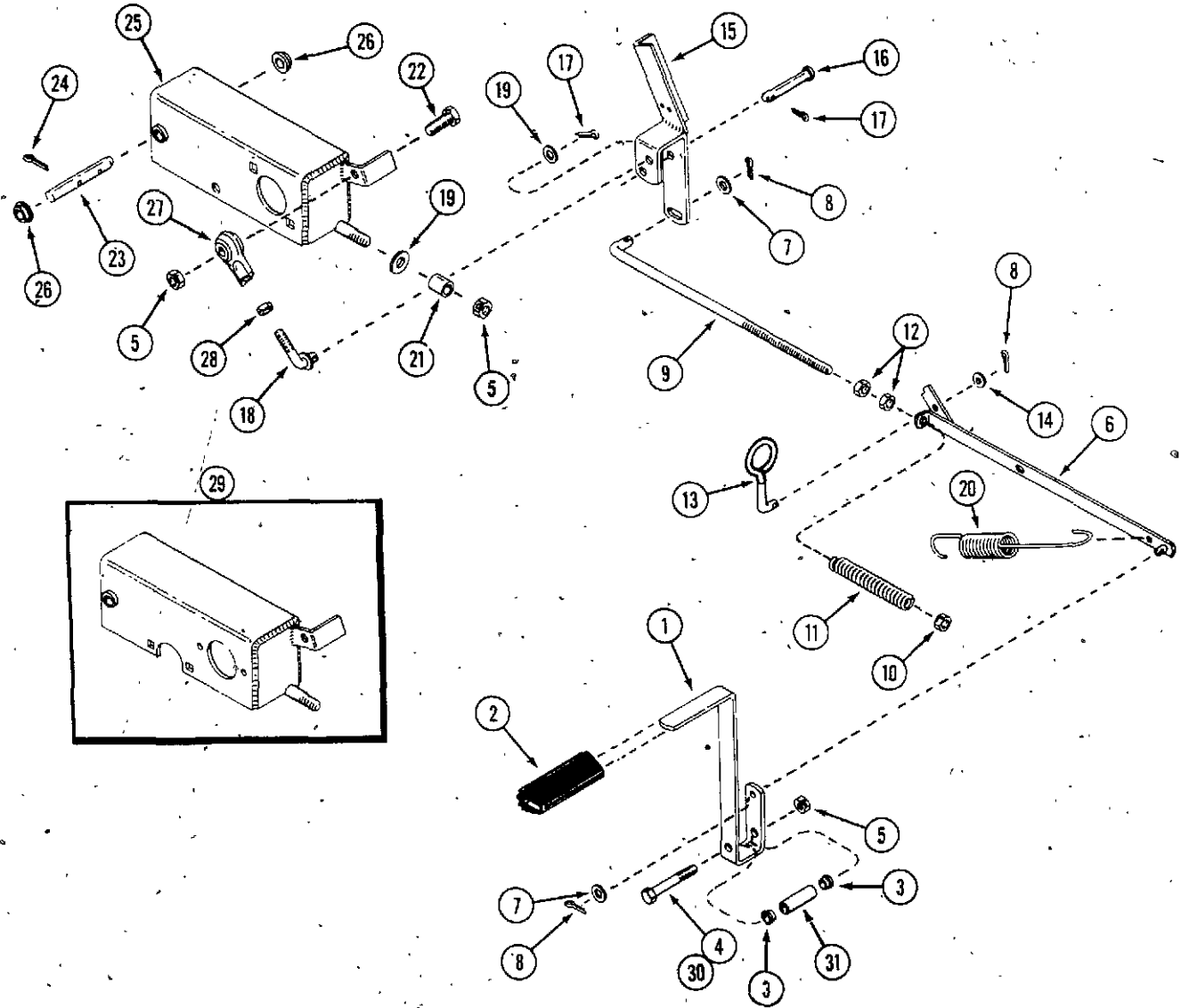
*use C27425, C26729 and (2) B90363

DRIVE CHAIN

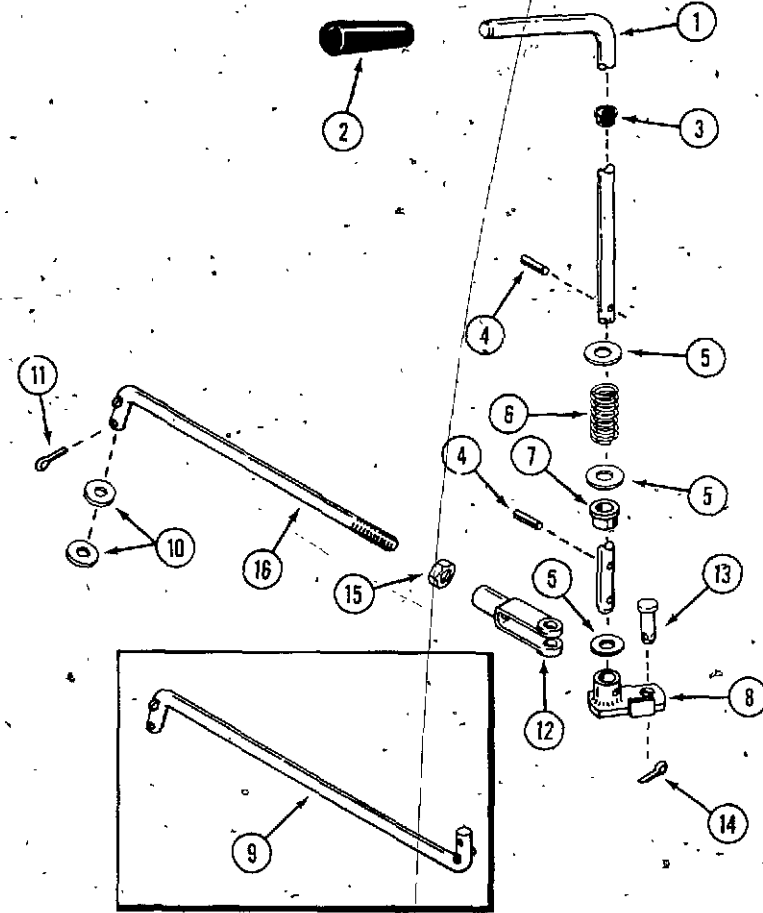
1	C 24343	CHAIN - #35 (primary drive to intermediate drive) 56 pitches	1
	B 17095	CHAIN - #35 (50 pitches) includes connector link	1
	B 17097	CHAIN - #35 (6 pitches) includes connector link	1
2	C 25094	CHAIN - #35 (intermediate drive to rear axle) 106 pitches	1
3	PT 2762-S	CONNECTOR LINK - #35 (link shown as intermediate chain application)	2



CLUTCH AND BRAKE

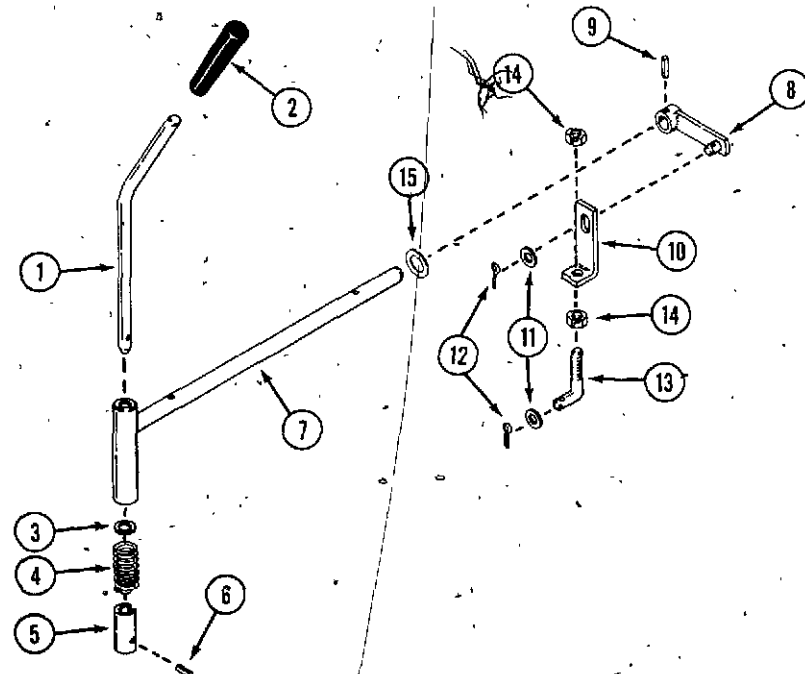


REF.	PART NO.	DESCRIPTION	REQ'D
1	C 24112	LEVER - clutch/brake assembly	1
2	C 24345	PAD - foot, rubber	1
3	C 26266	BUSHING - flange, nylon (press into chassis)	2
4	NSS	BOLT - shoulder (use 113-248 bolt and C26848 spacer)	1
5	131- 1181	NUT - lock 3/8" - 16 hex	3
6	C 24551	BRACKET - parking brake	1
7	195- 518	WASHER - 1/4"	2
8	132- 6	PIN - cotter 1/16" x 5/8"	3
9	C 24753	ROD - brake adjust	1
10	131- 1102	NUT - lock 1/4" - 20 hex	1
11	C 24565	SPRING - brake rod	1
12	129- 101	NUT - 1/4" - 20 hex	2
13	C 24568	HANDLE - parking brake	1
14	195- 513	WASHER - 3/16"	1
15	C 24749	ARM - brake (service part)	1
16	S 10781	PIN - clevis	1
17	132- 310	PIN - cotter 1/8" x 1"	3
18	C 25555	LINK - clutch	1
19	195- 525	WASHER - 3/8"	3
20	C 16379	SPRING - brake return	1
21	C 12045	SLEEVE - roller	1
22	113- 209	BOLT - 3/8" - 16 x 1-1/2"	1
23	C 24200	PIN - pivot	1
24	132- 49	PIN - cotter 1/8" x 1-1/8"	1
25	C 25083	HOUSING - chain and gears (used S/N 9759204 and after)(service part)	1
26	C 24182	BUSHING - flange (use S/N 9775430 and after)	2
27	C 25927	BUSHING - flange, heavy duty (use before S/N 9775430)	2
28	C 26332	BALLJOINT	1
29	129- 163	NUT - jam 3/8 - 24 hex	1
30	C 24746	HOUSING - chain and gears (used prior to S/N 9759204)	1
31	113- 248	BOLT - 3/8" - 16 x 2-3/4"	1
	C 26848	SPACER - bushing 1/2" x 2"	1



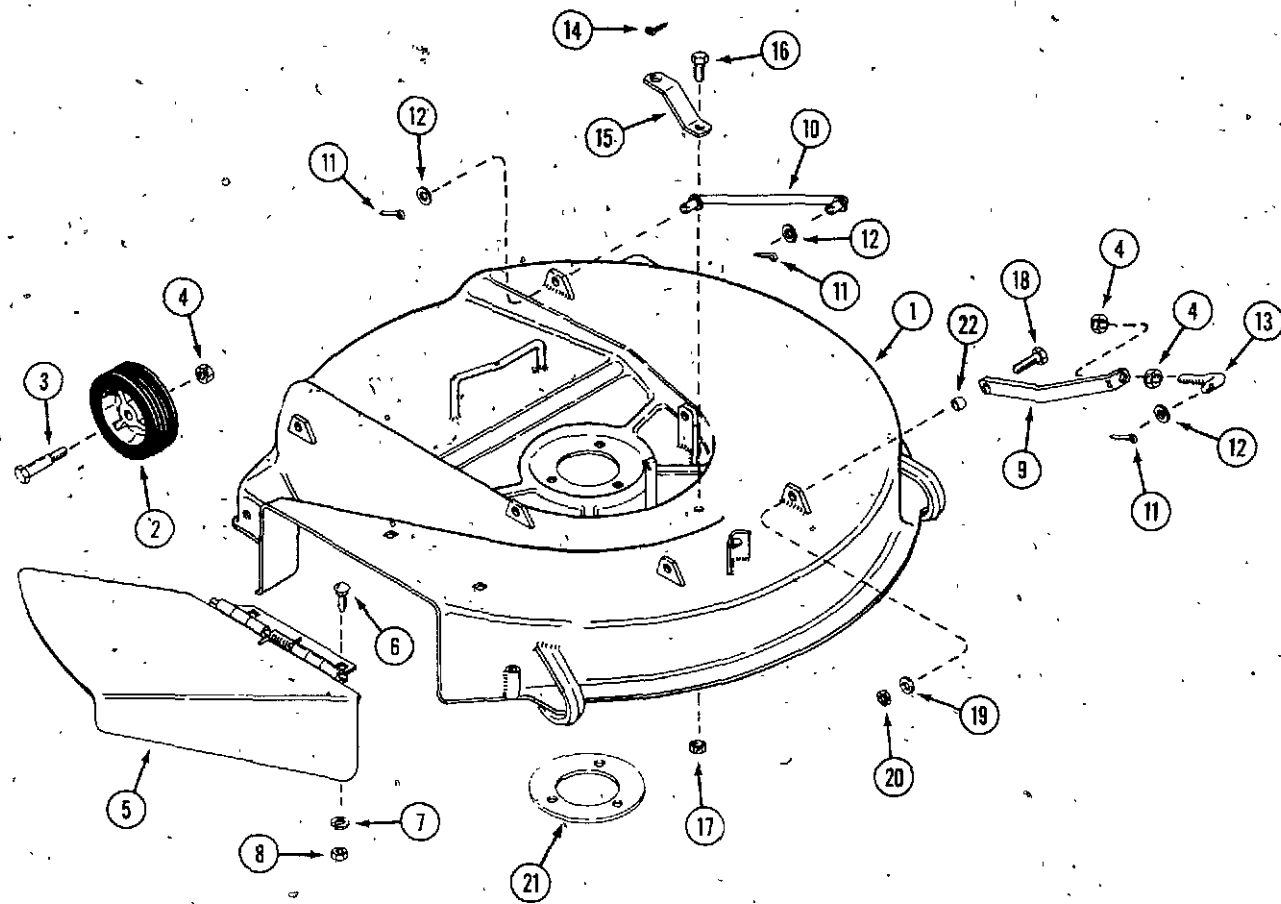
MOWER DRIVE CONTROL

REF.	PART NO.	DESCRIPTION	REQ'D
1	C 24452	LEVER - mower drive	1
2	A 37247	KNOB - lever, mower drive	1
3	C 26266	BUSHING - crown (use before S/N 9775910)	1
4	138- 96	PIN - roll 3/16" x 1"	2
5	195- 533	WASHER - 1/2"	3
6	C 24669	SPRING - return	1
7	C 12093	BUSHING - fliplock, nylon (used prior to S/N 9759204)	1
7	C 25229	BEARING - flange (used S/N 9759204 and after)	1
8	C 24170	ARM - control, rod (service part)	1
9	NSS	ROD - control (order items 12, 13, 14, 15 and 16 prior to S/N 9745719)	1
10	195- 525	WASHER - 3/8"	4
11	132- 310	PIN - cotter 1/8" x 1"	2
12	213- 41	CLEVIS - 3/8"	1
13	141- 4	PIN - clevis	1
14	132- 321	PIN - cotter 3/32" x 1"	1
15	129- 163	NUT - jam 3/8" - 24 hex.	1
16	C 24684	ROD - control (used S/N 9745719 and after)	1



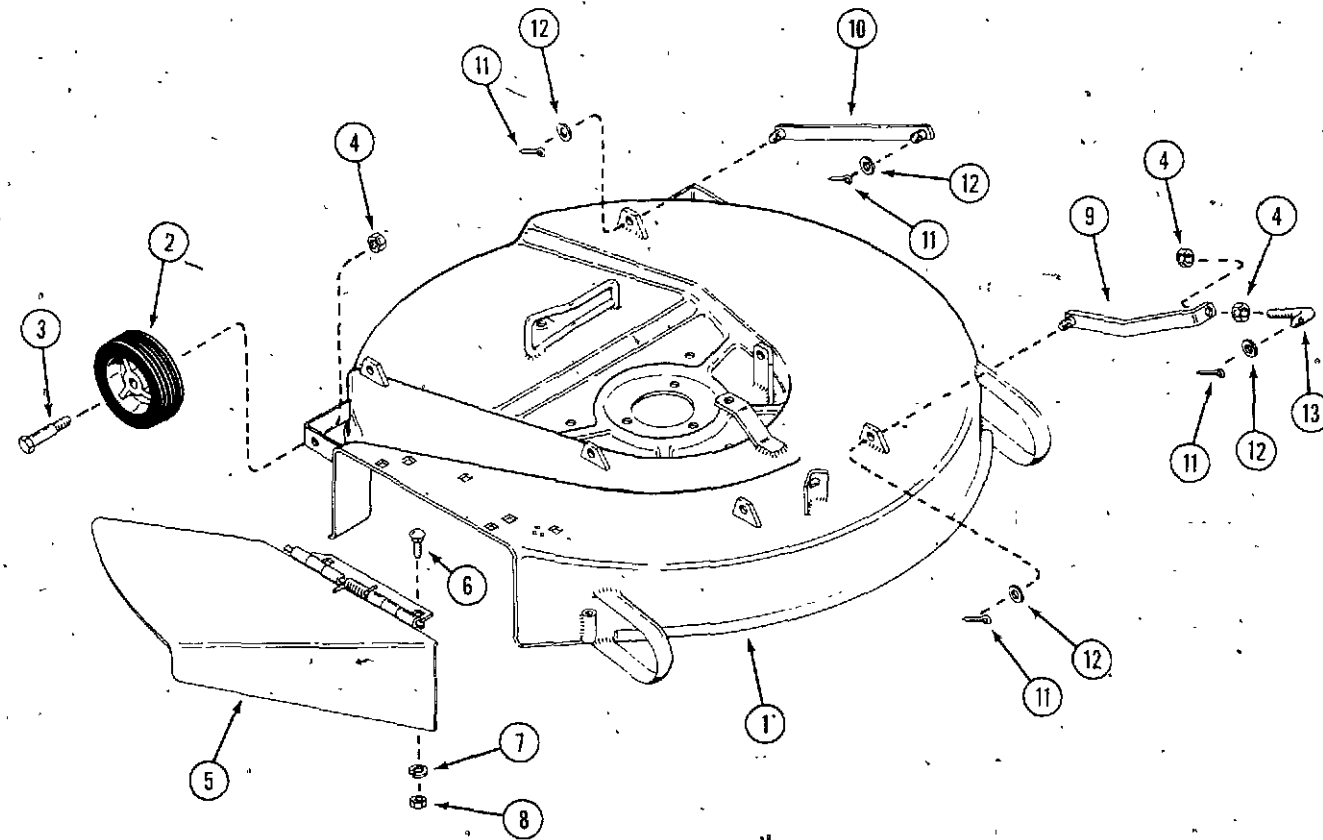
MOWER HEIGHT AND LIFT CONTROL

1	C 24253	LEVER - adjust	1
2	A 37247	KNOB - adjust lever	1
3	C 24377	WASHER	1
4	C 15564	SPRING - return	1
5	C 24400	SLEEVE - lever stop	1
6	138- 91	PIN - roll 3/16" x 11/16"	1
7	C 24375	SHAFT - lift pivot	1
8	C 24528	ARM - lift (L.H. side mounts in reverse)	2
9	138- 2071	PIN - spirol	2
10	C 24522	LINK - lift	2
11	195- 525	WASHER - 3/8"	4
12	132- 310	PIN - cotter 1/8" x 1"	4
13	C 24314	BOLT - "J" link adjust	2
14	131- 1181	NUT - lock 3/8" - 16 hex	4
15	195- 2063	WASHER - shim	UAR



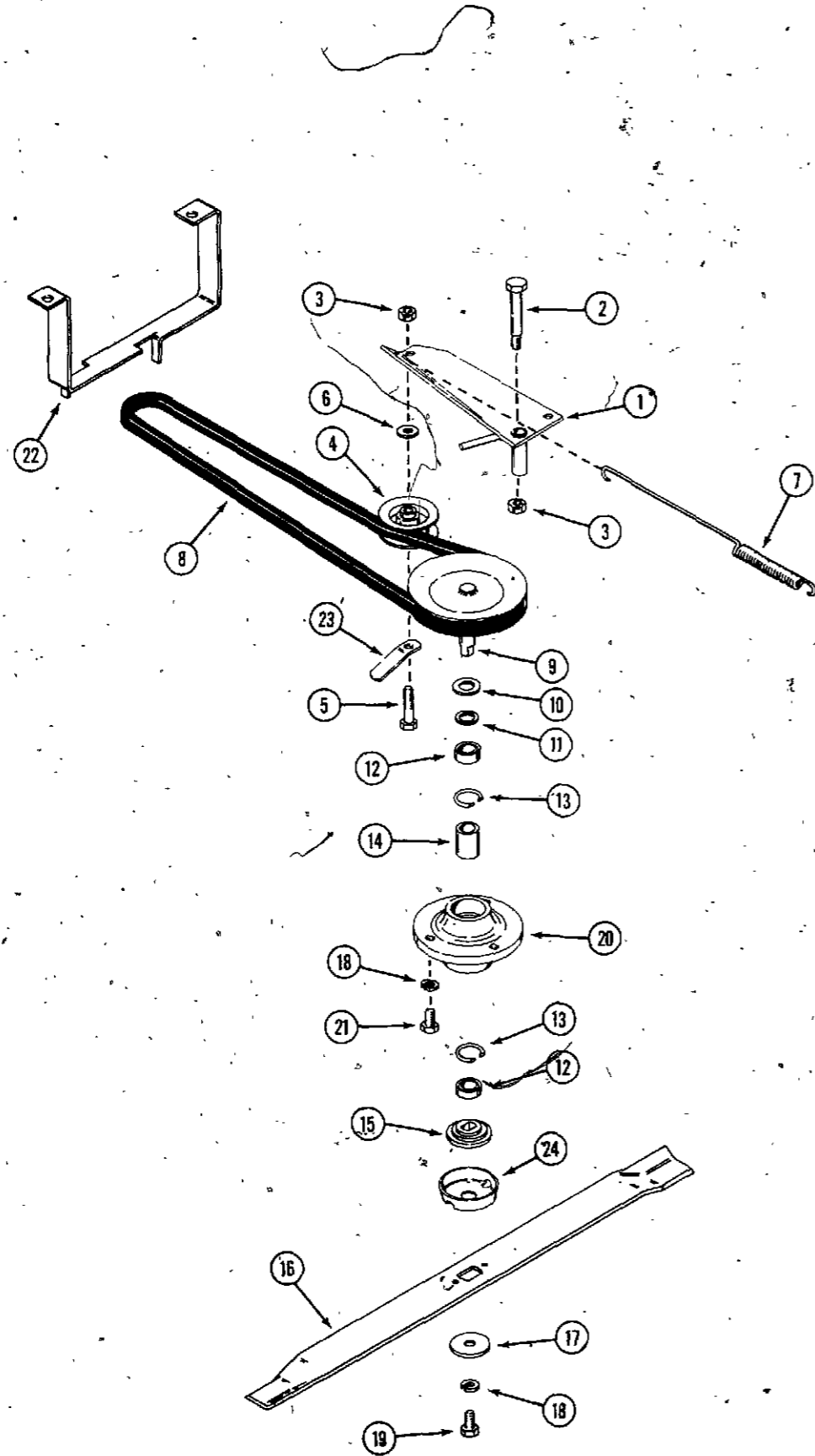
MOWER DECK
(use S/N 9775910 and after)

REF.	PART NO.	DESCRIPTION	REQ'D
1	C 25596	DECK - mower 30" (also use C26442 before S/N 14014969)	1
2	C 24455	WHEEL - anti-scalp	2
3	C 16745	BOLT - shoulder	2
4	131- 1181	NUT - lock 3/8" hex	6
5	C 25575	CHUTE	1
6	111- 132	BOLT - carriage 5/16" - 18 x 3/4"	2
7	192- 20	LOCK WASHER - 5/16"	2
8	129- 102	NUT - 5/16" - 18 hex.	2
9	C 25551	LINK - connecting, L.H., front (shown)	1
9	C 25552	LINK - connecting, R.H., front	1
10	C 25554	LINK - connecting, rear	2
11	132- 320	PIN - cotter, 3/16" x 3/4"	6
12	195- 525	WASHER - 3/8"	6
13	C 24314	BOLT - "J" level adjust	2
14	132- 310	PIN - cotter 1/8" x 1"	1
15	C 24268	BRACKET - pivot	1
16	113- 118	BOLT - 5/16" - 18 x 5/8"	1
17	131- 176	NUT - 5/16" - 18 lock	1
18	113- 4	BOLT - 1/4" - 20 x 1"	2
19	195- 518	WASHER - 1/4"	2
20	131- 1180	NUT - lock, 1/4" - 20	2
21	C 26442	PLATE - stiffener	1
22	C 25553	SPACER	2



MOWER DECK
(Use before S/N 9775910)

1	NSS	DECK - mower 30" (use C25596 deck, C24268 bracket and C26442 stiffener plate, see above)	1
2	C 24455	WHEEL - anti-scalp	2
3	C 16745	BOLT - shoulder	2
4	131- 1181	NUT - lock 3/8" hex	6
5	NSS	CHUTE - (use C 25575)	1
6	111- 132	BOLT - 5/16" - 18 x 3/4" carriage	2
7	192- 20	LOCKWASHER - 5/16"	2
8	129- 102	NUT - 5/16" - 18 hex.	2
9	C 24238	LINK - connecting (L.H. front shown)	2
9	NSS	LINK - connecting R.H. front (mounts from outside) (use C 25552)	2
10	NSS	LINK - connecting (rear) (R.H. side mounts in reverse) (use C 25554)	2
11	132- 321	PIN - cotter 3/16" x 1"	8
12	195- 525	WASHER - 3/8"	8
13	C 24314	BOLT - "J" level adjust	2



MOWER DRIVE ASSEMBLY

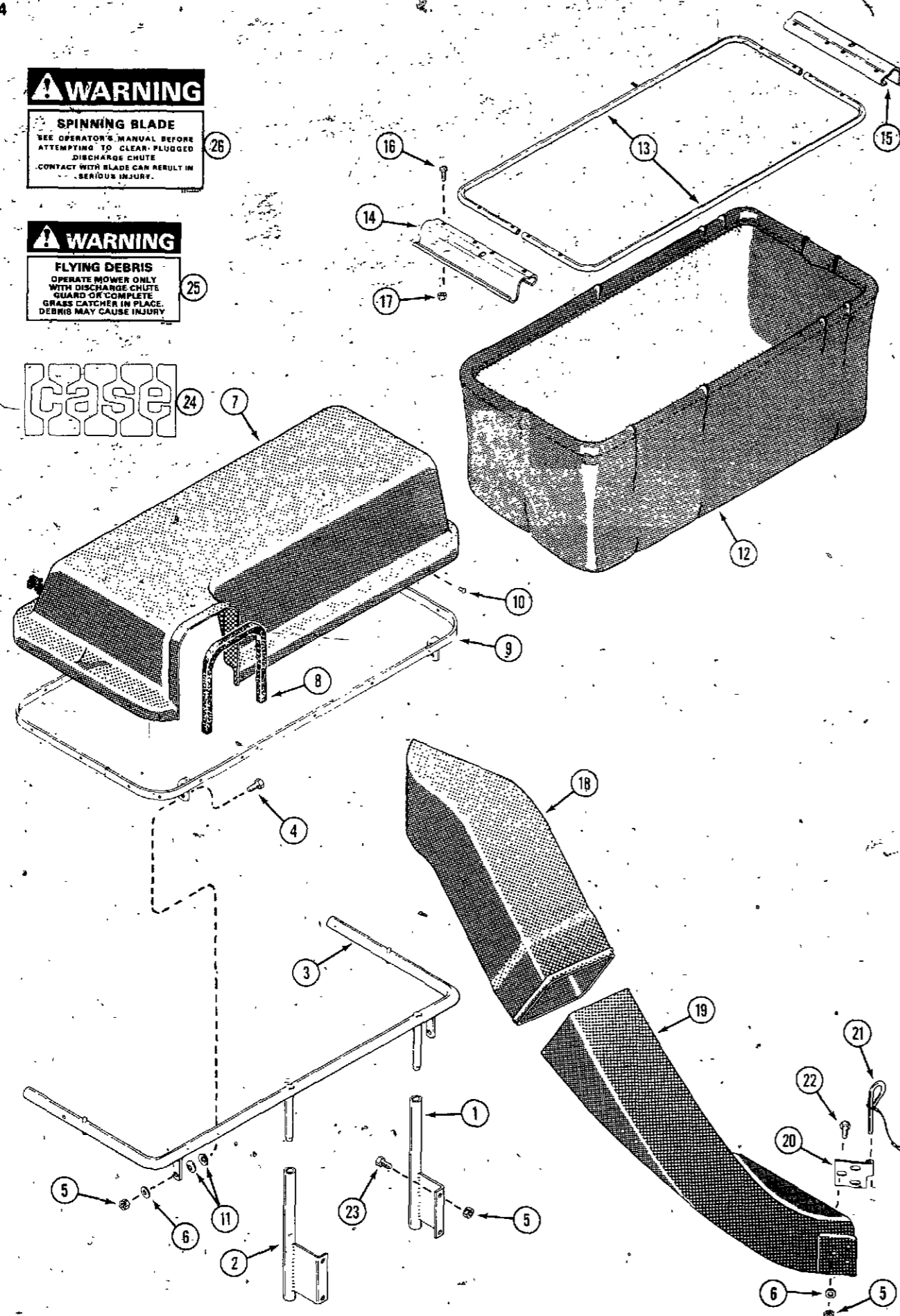
REF.	PART NO.	DESCRIPTION	REQ'D
1	C 24757	ARM - clutching	1
2	C 22966	BOLT - shoulder (use before S/N 9776017)	1
3	131- 1181	NUT - lock 3/8" - 16 hex	2
4	C 23542	PULLEY - "backside" idler	1
5	113- 233	BOLT - 3/8" - 16 x 1-3/4" hex	1
6	195- 136	WASHER - 3/8"	1
7	C 24081	SPRING - tension	1
8	C 24349	BELT - mower drive	1
9	C 24265	PULLEY AND SPINDLE ASSEMBLY - mower drive (used prior to S/N 9746098)	1
9	C 24737	PULLEY AND SPINDLE ASSEMBLY - mower drive (used S/N 9746098 and after)	1
10	C 10942	WASHER - spacer	1
11	A 70282	WASHER - spindle	1
12	A 70280	BEARING	2
13	C 16516	RING - retaining	2
14	C 24264	SPACER - bearing (used prior to S/N 9746098)	1
14	C 24916	SPACER - bearing (used S/N 9746098 and after)	1
15	C 25542	ADAPTOR - blade	1
16	C 23408	BLADE - mower (use in Europe)	1
16	C 24686	BLADE - mower, high lift (use in U.S.A.)	1
17	195- 2037	WASHER - 7/16" x 2"	1
18	192- 21	LOCKWASHER - 3/8"	4
19	113- 268	BOLT - 3/8" - 16 x 1" hex (torque 40 to 43 lb. ft. - 54 to 58 Nm)	1
20	C 24229	HOUSING - spindle (used prior to S/N 9746098)	1
20	C 24740	HOUSING - spindle (used S/N 9746098 and after)	1
21	113- 206	BOLT - 3/8" - 16 x 3/4" hex	3
22	C 24850	GUIDE - belt	1
23	C 25122	GUIDE - belt, idler pulley	1
24	C 25544	SHIELD - bearing (late production)	1

WARNING

SPINNING BLADE
SEE OPERATOR'S MANUAL BEFORE ATTEMPTING TO CLEAR PLUGGED DISCHARGE CHUTE. CONTACT WITH BLADE CAN RESULT IN SERIOUS INJURY.

WARNING

FLYING DEBRIS
OPERATE MOWER ONLY WITH DISCHARGE CHUTE GUARD OR COMPLETE GRASS CATCHER IN PLACE. DEBRIS MAY CAUSE INJURY.



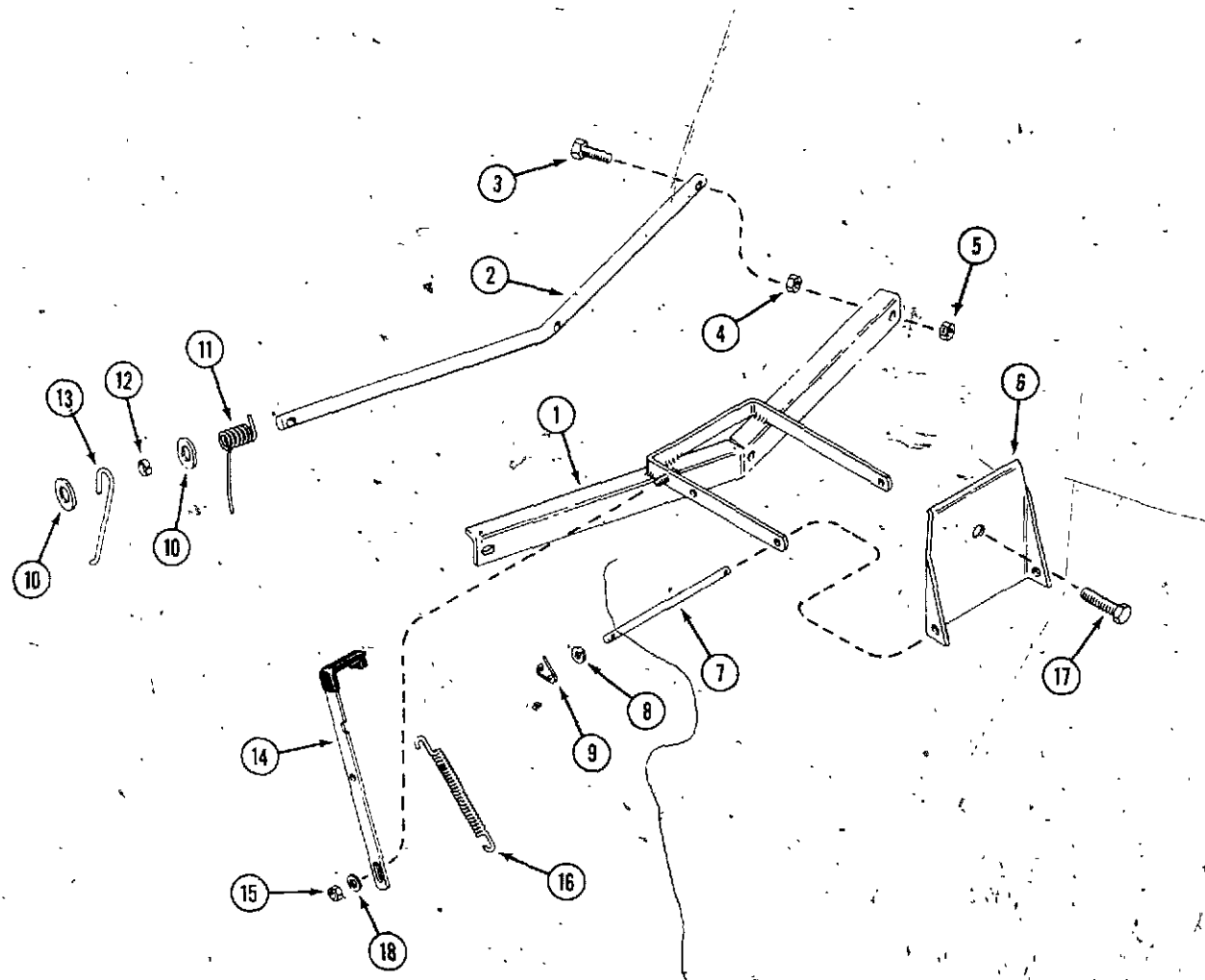
M91 BAGGER ATTACHMENT

REF.	PART NO.	DESCRIPTION	REQ'D
1	C 24414	BRACKET - mounting L.H.	1
2	C 24413	BRACKET - mounting R.H.	1
3	C 24479	FRAME - support (early production req's [4] C25114)	1
4	113- 103	BOLT - 5/16" - 18 x 1"	2
5	131- 176	NUT - lock 5/16" - 18 hex.	9
6	195- 521	WASHER - 5/16"	5
7	C 24685	COVER - also includes items 24 and 25 (early production req's [4] C25114)	1
8	C 24610	SEAL - chute	1
9	NSS	HINGE - cover	1
10	151- 88	RIVET - 3/16" x 5/16"	17
11	C 25114	SPRINGWASHER - Belleville	4
12	C 24482	HOPPER	1
13	C 24517	SUPPORT - hopper	2
14	C 24532	BRACKET - hopper R.H.	1
15	C 24533	BRACKET - hopper L.H.	1
16	163- 40	SCREW - #10 - 32 x 7/8"	8
17	131- 47	NUT - lock #10 - 32 hex	8
18	C 24692	CHUTE EXTENSION ASSEMBLY - upper	1
19	C 24597	CHUTE EXTENSION - lower	1
20	C 24514	PLATE - chute mounting	1
21	C 24492	PIN ASSEMBLY - mounting	1
22	111- 202	BOLT - 5/16" - 18 x 3/4"	3
23	113- 102	BOLT - 5/16 - 18 x 3/4"	4
24	321- 2576	DECAL - "Case"	1
25	321- 6619	DECAL - "Warning" debris (English)	1
25	321- 4761	DECAL - "CAUTION" debris (Bilingual, French and English)	1
26	321- 4447	DECAL - "Warning" spinning blade (English)	1
26	321- 4750	DECAL - "WARNING" spinning blade (Bilingual, French and English)	1

M93 REAR STAND KIT

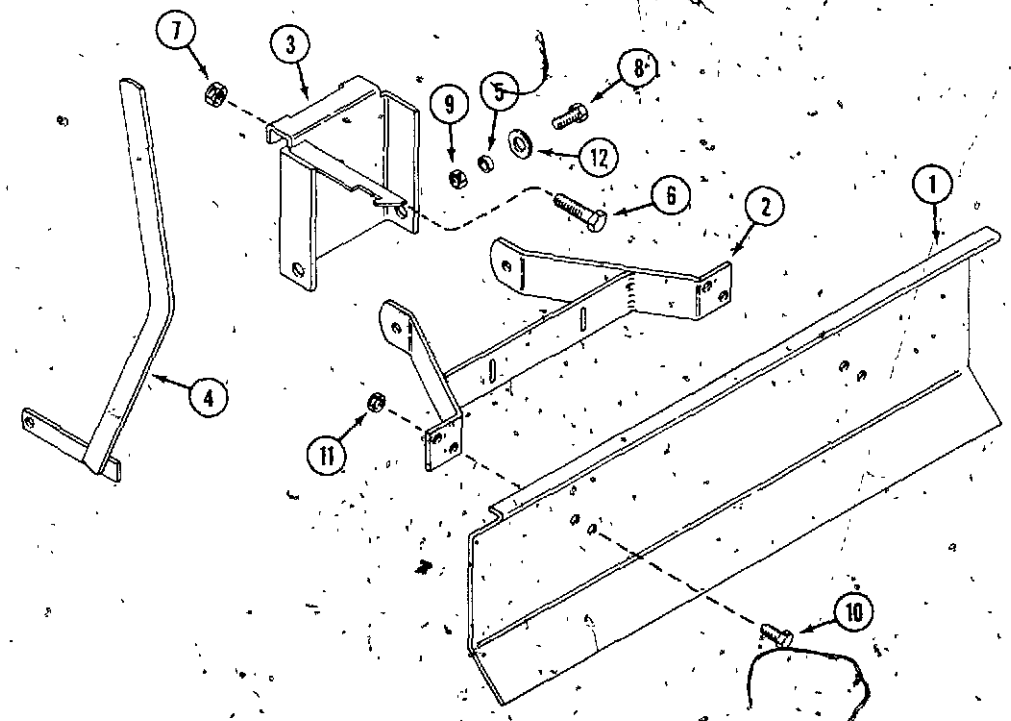
1	C 24414	BRACKET - mounting L.H.	1
2	C 24413	BRACKET - mounting R.H.	1
5	131- 176	NUT - lock 5/16" - 18 hex	4
23	113- 102	BOLT - 5/16" - 18 x 3/4" hex.	4

THATCHER ATTACHMENT



REF.	PART NO.	DESCRIPTION	REQ'D.
1	C 24917	FRAME - thatcher	1
2	C 24921	ROD - mounting, springs and pawls	1
3	113- 122	BOLT - 5/16" - 18 x 1-1/2" hex.	3
4	129- 102	NUT - 5/16" - 18 hex.	3
5	131- 176	NUT - lock, 5/16" - 18.	3
6	C 24924	BRACKET - mounting.	1
7	C 24910	ROD - pivot, front.	1
8	195- 104	WASHER - 3/8"	2
9	C 10883	PIN - safety	2
10	C 25263	WASHER - (4 on early production)	2
11	C 26109	TINE - spring	25
12	C 24960	CLIP - pawl spacer (early production)	2
13	C 24923	PAWL - lift (early production)	2
14	C 24925	HANDLE - lift	1
15	131- 1180	NUT - lock, 1/4" - 20.	1
16	C 19553	SPRING	1
17	113- 421	BOLT - 1/2" - 13 x 2" hex.	1
18	195- 518	WASHER - 9/32" x 5/8"	1

M94 SNOW BLADE



1	C 26221	BLADE - 30"	1
2	C 26224	BRACKET - push	1
3	C 26227	BRACKET - mounting.	1
4	C 26230	LEVER - lift	1
5	C 16573	BUSHING	2
6	113- 421	BOLT - 1/2" - 13 x 2" hex	1
7	131- 1182	NUT - 1/2" - 13 hex, lock	1
8	113- 207	BOLT - 3/8" - 16 x 1" hex	2
9	131- 1181	NUT - 3/8" - 16 hex, lock	2
10	113- 118	BOLT - 5/16" - 18 x 5/8" hex.	4
11	131- 176	NUT - 5/16" - 18 hex, lock	4
12	195- 522	WASHER - 1/2" (left side only)	1

PART NO.	PAGE NO.	REF. NO.	PART NO.	PAGE NO.	REF. NO.	PART NO.	PAGE NO.	REF. NO.
A	49567	31	BR	221885	13	BR	390402	5
A	15043	15	BR	221986	13	BR	390419	5
A	24509	21	BR	221995	13	BR	390444	19
A	27795	9	BR	222010	13	BR	390447	19
A	30881	35	BR	222014	13	BR	390448	19
A	30881	39	BR	222027	13	BR	390449	19
A	30881	45	BR	222114	5	BR	390450	19
A	37247	37	BR	222117	17	BR	390452	19
A	37247	49	BR	222263	13	BR	390455	19
A	37247	49	BR	222450	9	BR	390640	5
A	70280	39	BR	222502	7	BR	390662	9
A	70280	41	BR	222561	7	BR	390684	13
A	70280	53	BR	222562	7	BR	390811	11
A	70282	41	BR	222636	5	BR	390837	17
A	70282	53	BR	222830	5	BR	390846	17
B	17095	45	BR	230896	13	BR	390990	19
B	17097	45	BR	230932	13	BR	391233	13
B	90363	45	BR	231055	5	BR	391313	13
BR	23108	13	BR	231058	9	BR	391379	7
BR	26018	17	BR	260374	17	BR	391399	11
BR	26157	13	BR	260584	9	BR	391406	5
BR	26828	5	BR	260933	5	BR	391461	17
BR	27590	13	BR	260971	9	BR	391461	19
BR	27750	5	BR	261038	5	BR	391461	19
BR	27803	5	BR	261055	5	BR	391512	13
BR	27876	5	BR	261116	13	BR	391584	19
BR	27877	5	BR	261117	13	BR	391585	19
BR	61760	17	BR	261306	9	BR	391607	19
BR	65704	17	BR	270382	13	BR	391669	5
BR	65906	5	BR	270430	5	BR	391670	5
BR	66068	9	BR	270511	13	BR	391671	5
BR	66538	7	BR	270528	11	BR	391672	5
BR	66554	9	BR	270539	11	BR	391673	5
BR	68546	5	BR	270824	11	BR	391674	5
BR	68838	7	BR	270824	13	BR	391675	5
BR	92659	5	BR	270920	7	BR	391676	5
BR	93113	5	BR	280005	5	BR	391705	17
BR	93211	5	BR	280111	11	BR	391706	17
BR	93323	11	BR	280133	7	BR	391733	9
BR	93357	13	BR	292260	5	BR	391840	7
BR	93499	13	BR	292681	13	BR	391983	7
BR	93583	5	BR	294606	5	BR	392034	7
BR	93622	11	BR	294628	17	BR	392061	17
BR	93630	5	BR	294628	21	BR	392134	7
BR	93723	5	BR	295840	5	BR	392548	5
BR	93771	19	BR	295841	5	BR	392718	5
BR	93776	5	BR	295962	5	BR	392744	17
BR	211682	13	BR	295963	5	BR	392749	17
BR	211689	5	BR	298968	7	BR	392749	21
BR	211712	13	BR	298968	21	BR	392749	23
BR	211954	13	BR	299061	17	BR	392749	25
BR	212286	5	BR	299096	13	BR	393128	7
BR	220477	17	BR	299500	9	BR	393456	7
BR	220865	7	BR	299577	5	BR	393474	7
BR	221535	9	BR	299707	13	C	10657	11
BR	221596	5	BR	299740	13	C	10678	13
BR	221760	5	BR	299852	13	C	10883	57
BR	221798	7	BR	390233	5	C	10942	53

PART NO.	PAGE NO.	REF. NO.	PART NO.	PAGE NO.	REF. NO.	PART NO.	PAGE NO.	REF. NO.
C	11529	11	C	24112	47	C	24391	11
C	12045	47	C	24128	39	C	24400	49
C	12093	37	C	24145	21	C	24401	37
C	12093	49	C	24145	23	C	24413	55
C	12519	27	C	24145	25	C	24413	55
C	12519	29	C	24151	37	C	24414	55
C	12975	39	C	24153	39	C	24414	55
C	14419	41	C	24160	39	C	24428	21
C	14553	21	C	24165	37	C	24451	37
C	14565	21	C	24170	49	C	24452	49
C	14565	23	C	24178	35	C	24455	51
C	14906	7	C	24179	35	C	24455	51
C	15096	35	C	24182	15	C	24459	41
C	15151	43	C	24182	35	C	24459	41
C	15385	43	C	24182	47	C	24460	21
C	15386	43	C	24189	35	C	24460	23
C	15514	41	C	24191	13	C	24460	25
C	15540	11	C	24193	39	C	24463	11
C	15564	49	C	24200	35	C	24479	55
C	16379	47	C	24200	47	C	24480	39
C	16516	53	C	24209	43	C	24482	55
C	16573	57	C	24210	43	C	24482	55
C	16745	51	C	24225	43	C	24492	55
C	16745	51	C	24225	43	C	24502	33
C	17203	39	C	24225	43	C	24503	33
C	17213	39	C	24229	53	C	24503	33
C	18814	7	C	24238	51	C	24506	15
C	19473	7	C	24246	13	C	24506	15
C	19553	57	C	24253	49	C	24507	15
C	19867	23	C	24263	21	C	24509	15
C	22023	33	C	24264	53	C	24510	13
C	22765	21	C	24265	53	C	24510	13
C	22883	43	C	24268	51	C	24514	55
C	22891	41	C	24277	45	C	24514	55
C	22891	41	C	24314	49	C	24517	55
C	22891	41	C	24314	51	C	24522	49
C	22931	39	C	24314	51	C	24528	49
C	22947	21	C	24314	51	C	24529	31
C	22966	53	C	24321	39	C	24532	55
C	23248	21	C	24329	7	C	24532	55
C	23349	31	C	24329	21	C	24533	55
C	23351	31	C	24340	13	C	24536	31
C	23408	53	C	24340	13	C	24536	31
C	23542	53	C	24341	13	C	24551	47
C	23552	31	C	24342	39	C	24551	47
C	23641	11	C	24343	45	C	24562	33
C	23765	39	C	24345	47	C	24565	47
C	23818	39	C	24346	21	C	24568	47
C	23818	41	C	24346	23	C	24572	21
C	23818	41	C	24349	53	C	24574	33
C	23964	35	C	24351	21	C	24574	33
C	23967	35	C	24351	23	C	24597	55
C	23968	35	C	24359	21	C	24610	55
C	23984	41	C	24360	21	C	24610	55
C	24021	31	C	24360	23	C	24619	21
C	24081	53	C	24362	21	C	24656	21
C	24091	33	C	24373	43	C	24656	23
C	24092	33	C	24373	43	C	24659	21
C	24093	33	C	24375	49	C	24669	37
C	24100	35	C	24377	49	C	24669	49
C			C			C	24684	49
C			C			C	24685	55
C			C			C	24686	53
C			C			C	24689	11
C			C			C	24692	55
C			C			C	23737	53
C			C			C	24740	53

NUMERICAL INDEX

PART NO.	PAGE NO.	REF. NO.	PART NO.	PAGE NO.	REF. NO.		
C	24746	47	29	C	25575	51	5
C	24749	47	15	C	25596	51	1
C	24753	47	9	C	25709	5	12
C	24754	21	18	C	25846	35	5
C	24755	21	1	C	25847	31	13
C	24757	53	1	C	25848	31	13
C	24780	11	8	C	25849	31	9
C	24782	15	1	C	25859	15	1
C	24800	23	10	C	25866	33	5
C	24800	25	7	C	25908	45	13
C	24850	53	22	C	25927	15	8
C	24916	53	14	C	25927	47	26
C	24917	57	1	C	26109	57	11
C	24919	57	7	C	26129	41	17
C	24921	57	2	C	26130	41	18
C	24923	57	13	C	26142	25	
C	24924	57	6	C	26221	57	1
C	24925	57	14	C	26224	57	2
C	24960	57	12	C	26227	57	3
E	25030	15	1	C	26230	57	4
C	25059	21	13	C	26266	47	3
C	25059	23	13	C	26266	49	3
C	25083	47	25	C	26332	35	9
C	25087	43	1	C	26332	37	13
C	25091	43	5	C	26332	47	27
C	25092	43	10	C	26333	35	8
C	25093	43	11	C	26358	11	
C	25094	45	2	C	26425	21	12
C	25095	41	16	C	26425	23	12
C	25097	41	7	C	26425	25	10
C	25098	41	8	C	26426	21	
C	25114	55	11	C	26426	23	
C	25122	53	23	C	26426	25	
C	25125	11	27	C	26442	51	21
C	25145	11	29	C	26458	39	25
C	25147	11	30	C	26482	29	3
C	25149	45	3	C	26483	27	20
C	25200	45	4	C	26483	29	13
C	25229	37	4	C	26526	33	4
C	25229	49	7	C	26640	15	
C	25263	57	10	C	26729	45	20
C	25393	15	7	C	26848	47	31
C	25468	15	4	C	26862	43	15
C	25500	13	17	C	26886	43	2
C	25502	23	1	C	26887	43	3
C	25503	23	8	C	26936	27	19
C	25536	23	1	C	26936	29	11
C	25537	23	2	C	26937	27	19
C	25538	23	3	C	26937	29	12
C	25542	53	15	C	27164	29	8
C	25544	53	24	C	27165	29	8
C	25548	31	7	C	27166	29	7
C	25550	37	1	C	27232	23	2
C	25551	51	9	C	27236	5	6
C	25552	51	9	C	27237	13	16
C	25553	51	22	C	27241	9	8
C	25554	51	10	C	27242	9	1
C	25555	47	18	C	27243	13	33

PART NO.	PAGE NO.	REF. NO.	PART NO.	PAGE NO.	REF. NO.		
C	27253	7	12	C	27253	7	12
C	27254	13	19	C	27254	13	19
C	27255	13	31	C	27255	13	31
C	27257	9	3	C	27257	9	3
C	27258	17	8	C	27258	17	8
C	27259	17	7	C	27259	17	7
C	27260	17	10	C	27260	17	10
C	27262	17	3	C	27262	17	3
C	27263	17	6	C	27263	17	6
C	27264	17	1	C	27264	17	1
C	27269	7	14	C	27269	7	14
C	27270	7	13	C	27270	7	13
C	27425	45	19	C	27425	45	19
C	27501	35	5	C	27501	35	5
C	27521	25	3	C	27521	25	3
C	27523	25	9	C	27523	25	9
C	27532	25	1	C	27532	25	1
C	27533	25	2	C	27533	25	2
C	27534	25	4	C	27534	25	4
C	27541	25	5	C	27541	25	5
C	27544	31	1	C	27544	31	1
C	27548	21	24	C	27548	21	24
C	27549	25	8	C	27549	25	8
D	23191	39	6	D	23191	39	6
D	33544	41	10	D	33544	41	10
D	53521	11	4	D	53521	11	4
D	59705	33	3	D	59705	33	3
D	59944	11	24	D	59944	11	24
D	59949	11	25	D	59949	11	25
G	49402	43	4	G	49402	43	4
H	400184	11	31	H	400184	11	31
L	54225	21	2	L	54225	21	2
PT	2762-S	45	3	PT	2762-S	45	3
R	30880	43	10	R	30880	43	10
S	10781	47	16	S	10781	47	16
T	25683	45	12	T	25683	45	12
VB	1054	35	2	VB	1054	35	2

HARDWARE CODE NUMBERS

41-	24	13	2
61-	410	13	3
111-	2	9	6
111-	108	43	6
111-	132	39	21
111-	132	41	13
111-	132	51	6
111-	132	51	6
111-	202	41	9
111-	202	55	22
111-	256	13	6
113-	1	13	10
113-	1	15	2
113-	1	21	4
113-	1	45	14
113-	2	31	3
113-	4	51	18
113-	17	23	5

PART NO.	PAGE NO.	REF. NO.	PART NO.	PAGE NO.	REF. NO.		
113-	101	15	4	113-	101	15	4
113-	102	11	32	113-	102	11	32
113-	102	41	4	113-	102	41	4
113-	102	41	4	113-	102	41	4
113-	102	55	23	113-	102	55	23
113-	102	55	23	113-	102	55	23
113-	103	37	18	113-	103	37	18
113-	103	55	4	113-	103	55	4
113-	111	15	5	113-	111	15	5
113-	118	39	9	113-	118	39	9
113-	118	45	8	113-	118	45	8
113-	118	51	16	113-	118	51	16
113-	118	57	10	113-	118	57	10
113-	120	33	2	113-	120	33	2
113-	122	57	3	113-	122	57	3
113-	205	41	9	113-	205	41	9
113-	206	53	21	113-	206	53	21
113-	207	57	8	113-	207	57	8
113-	208	35	12	113-	208	35	12
113-	208	37	9	113-	208	37	9
113-	209	39	17	113-	209	39	17
113-	209	47	22	113-	209	47	22
113-	233	53	5	113-	233	53	5
113-	248	47	30	113-	248	47	30
113-	252	43	12	113-	252	43	12
113-	268	53	19	113-	268	53	19
113-	410	35	3	113-	410	35	3
113-	421	57	6	113-	421	57	6
113-	421	57	17	113-	421	57	17
114-	308	39	3	114-	308	39	3
121-	106	11	9	121-	106	11	9
121-	106	15	2	121-	106	15	2
126-	19	45	6	126-	19	45	6
129-	13	21	20	129-	13	21	20
129-	16	9	13	129-	16	9	13
129-	17	9	7	129-	17	9	7
129-	17	11	21	129-	17	11	21
129-	17	15	10	129-	17	15	10
129-	27	21	11	129-	27	21	11
129-	37	21	22	129-	37	21	22
129-	101	21	6	129-	101	21	6
129-	101	31	4	129-	101	31	4
129-	101	47	12	129-	101	47	12
129-	102	13	8	129-	102	13	8
129-	102	51	8	129-	102	51	8
129-	102	51	8	129-	102	51	8
129-	102	57	4	129-	102	57	4
129-	162	21	13	129-	162	21	13
129-	163	35	11	129-	163	35	11
129-	163	37	14	129-	163	37	14
129-	163	47	28	129-	163	47	28
129-	163	49	15	129-	163	49	15
129-	289	35	10	129-	289	35	10
131-	47	55	17	131-	47	55	17
131-	67	31	16	131-	67	31	16
131-	176	11	23	131-	176	11	23
131-	176	15	6	131-	176	15	6
131-	176	37	20	131-	176	37	20

PART NO.	PAGE NO.	REF. NO.	PART NO.	PAGE NO.	REF. NO.		
131-	176	39	10	131-	176	39	10
131-	176	41	5	131-	176	41	5
131-	176	41	5	131-	176	41	5
131-	176	41	10	131-	176	41	10
131-	176	41	14	131-	176	41	14
131-	176	45	5	131-	176	45	5
131-	176	51	17	131-	176	51	17
131-	176	55	5	131-	176	55	5
131-	176	55	5	131-	176	55	5
131-	176	57	5	131-	176	57	5
131-	176	57	11	131-	176	57	11
131-	911	11	34	131-	911	11	34
131-	911	45	18	131-	911	45	18
131-	1102	31	18	131-	1102	31	18
131-	1102	43	7	131-	1102	43	7
131-	1102	45	9	131-	1102	45	9
131-	1102	47	10	131-	1102	47	10
131-	1180	23	8	131-	1180	23	8
131-	1180	51	20	131-	1180	51	20
131-	1180	57	15	131-	1180	57	15
131-	1181	35	13	131-	1181	35	13
131-	1181	37	11	131-	1181	37	11
131-	1181	39	14	131-	1181	39	14
131-	1181	43	13	131-	1181	43	13
131-	1181	47	5	131-	1181	47	5

NUMERICAL INDEX

PART NO.	PAGE NO.	REF. NO.	PART NO.	PAGE NO.	REF. NO.	PART NO.	PAGE NO.	REF. NO.
195-	518	51	19	321-	4766	29	2	
195-	518	57	18	321-	5040	27	17	
195-	521	11	22	321-	5040	29	9	
195-	521	37	19	321-	5092	27	14	
195-	521	55	6	321-	5093	27	15	
195-	522	39	12	321-	5094	27	16	
195-	522	43	8	321-	5095	27	13	
195-	522	43	14	321-	5097	27	21	
195-	522	57	12	321-	5475	27	1	
195-	524	15	7	321-	5732	27	3	
195-	525	23	7	321-	5732	29	2	
195-	525	47	19	321-	5733	27	2	
195-	525	47	19	321-	5733	29	1	
195-	525	49	10	321-	6242	27	20	
195-	525	49	11	321-	6242	29	12	
195-	525	51	12	321-	6619	27	18	
195-	525	51	12	321-	6619	29	10	
195-	533	37	5	321-	6619	55	25	
195-	533	49	5	321-	6642	27	18	
195-	541	35	10	321-	6642	29	11	
195-	2037	53	17	353-	406	15	9	
195-	2063	49	15	353-	442	37	3	
195-	2069	43	5					
195-	2175	33	4					
213-	41	49	12					
214-	253	11	5					
214-	272	11	6					
217-	1027	7	7					
219-	10	33	3					
221-	13	7	10					
321-	2576	55	24					
321-	4300	27	1					
321-	4301	27	6					
321-	4302	27	7					
321-	4303	27	8					
321-	4304	27	5					
321-	4343	27	9					
321-	4343	29	4					
321-	4346	27	10					
321-	4381	27	11					
321-	4381	29	5					
321-	4447	55	26					
321-	4625	27	4					
321-	4625	29	3					
321-	4726	27	12					
321-	4726	29	6					
321-	4746	27	1					
321-	4747	27	2					
321-	4747	29	1					
321-	4748	27	10					
321-	4750	55	26					
321-	4755	27	9					
321-	4755	29	4					
321-	4761	55	25					
321-	4763	27	11					
321-	4763	29	5					
321-	4765	27	4					
321-	4766	27	3					

INGERSOLL

Ingersoll Equipment Co., Inc.