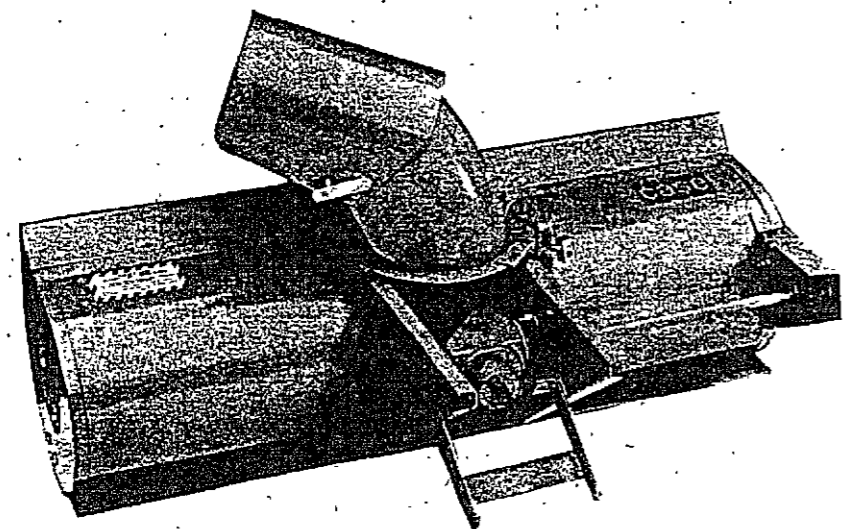


MODELS G80 AND G84 SNOWCASTERS

Parts Catalog A1159

Print Shop 1500 1-75



ALPHABETICAL INDEX

| | PAGE | GRID |
|----------------------|------|--------|
| Auger Assembly | 5 | A4 |
| Chute Assembly | 5 | A4 |
| Drive Assembly | 9 | A8 |
| Drive Shaft | 9 | A8 |
| Gearbox | 9-11 | A8-A10 |
| Lift Assembly | 7 | A6 |

NOTE: See grid B2 for -
G40, G44, G46 Rotary Mower,
G3 and G5 Mounting Kits

NOTE: See grid C2 for -
H40, H44, H46 Rotary Mowers,
H50, H54 Dozer Blades,
E60 Dump Cart,
H80, H84 Snowblowers

NOTE: See grid E2 for -
J, K, L, M, N40; J, K, L, M, N44;
J, K, L, M, N46 Rotary Mowers,
J, K, L, M, N, P, R, S80
Snowcasters,
J, K, L, M, N, P, R, S84
Snowcasters,
J50, K50, L50 Utility Blades,
J54, K54, L54 Utility Blades

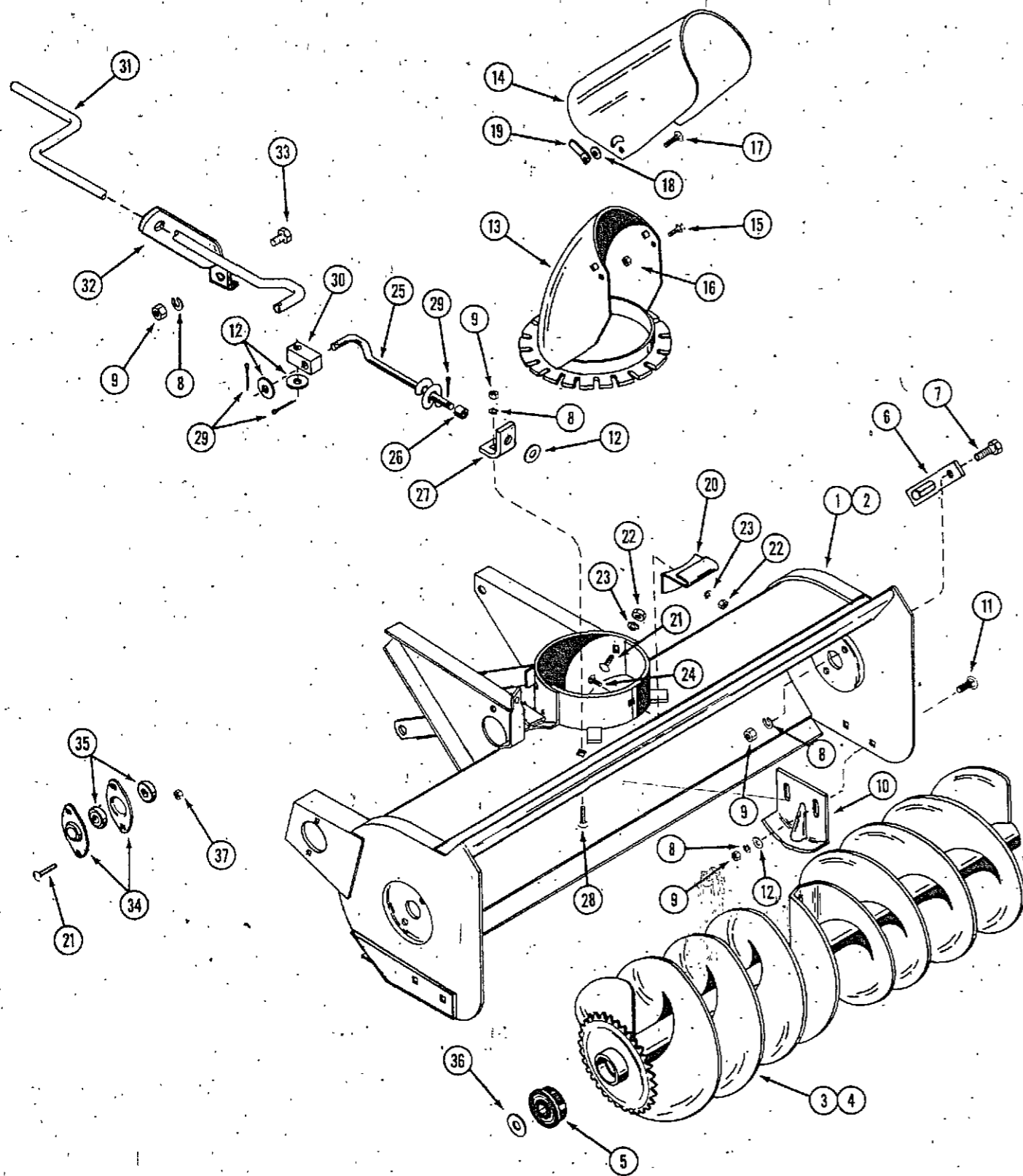
| DESIGNATION | TRACTOR APPLICATION | | | |
|-------------|---------------------|-----|-----|-----|
| | 220 | 222 | 442 | 444 |
| G 80 | X | X | | |
| G 84 | | | X | X |

SERIAL NUMBERS

When using this catalog, notice the reference to serial numbers of various components noted here and listed in the "description" copy. By referring to correct serial numbers, proper parts identification will be assured.

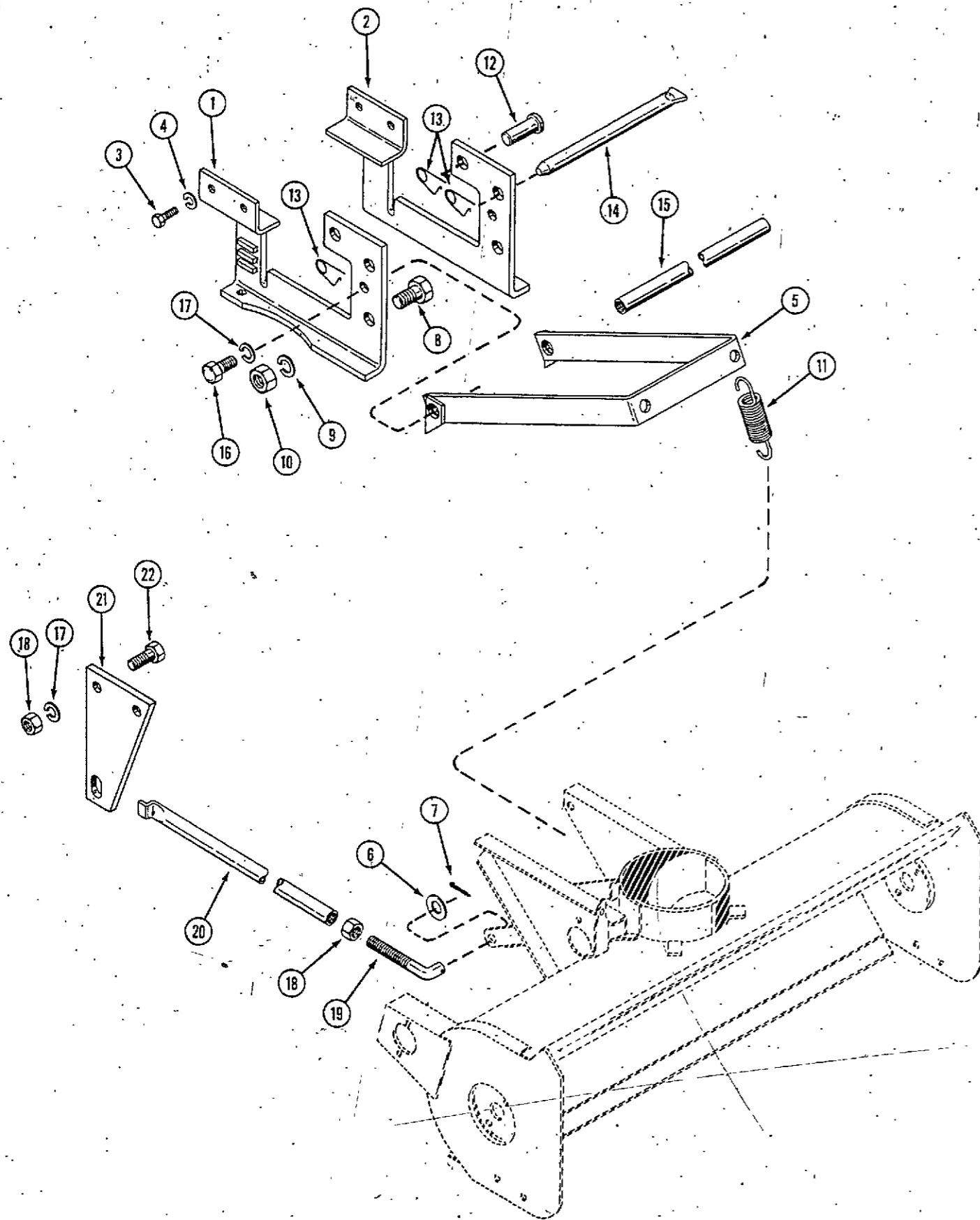
AUGER AND CHUTE CONTROL

MODEL G 80 38" FOR 220 AND 222 TRACTORS
MODEL G 84 48" FOR 442 AND 444 TRACTORS



| REF. PART NO. | DESCRIPTION | REQ'D |
|---------------|--|-------|
| 1 C 15287 | HOUSING - auger 38" | 1 |
| 2 C 15529 | HOUSING - auger 48" | 1 |
| 3 C 15205 | AUGER - 38" | 1 |
| 4 C 15201 | AUGER - 48" | 1 |
| 5 C 14421 | BEARING - auger | 2 |
| 6 C 15186 | SHAFT - auger mounting | 2 |
| 7 113- 206 | BOLT - 3/8" x 3/4" NC hex | 4 |
| 8 192- 21 | LOCKWASHER - 3/8" ZP | 11 |
| 9 129- 103 | NUT - 3/8" NC hex ZP | 11 |
| 10 C 15190 | SKID - auger housing | 2 |
| 11 111- 317 | BOLT - 3/8" x 1" NC round head, short, square neck | 4 |
| 12 195- 525 | WASHER - 3/8" ZP | 7 |
| 13 C 15248 | CHUTE | 1 |
| 14 C 14597 | DEFLECTOR | 1 |
| 15 113- 1 | BOLT - 1/4" x 1/2" NC hex | 2 |
| 16 131- 1102 | NUT - 1/4" NC locking | 2 |
| 17 111- 340 | BOLT - 3/8" x 3/4" NC round head, square neck | 2 |
| 18 D 33544 | WASHER - dished 25/64" | 2 |
| 19 C 14569 | LEVER - locking, deflector | 2 |
| 20 C 15334 | BRACKET - chute holddown | 3 |
| 21 111- 202 | BOLT - 5/16" x 3/4" NC round head, square neck | 4 |
| 22 129- 102 | NUT - 5/16" NC hex | 5 |
| 23 192- 20 | LOCKWASHER - 5/16" | 4 |
| 24 113- 102 | BOLT - 5/16" x 3/4" NC hex | 1 |
| 25 C 15244 | ROD - chute control | 1 |
| 26 C 15277 | SPACER | 1 |
| 27 C 15240 | BRACKET - control rod | 1 |
| 28 111- 324 | BOLT - 3/8" x 7/8" NC round head, square neck | 1 |
| 29 132- 320 | PIN - cotter 3/32" x 3/4" | 3 |
| 30 C 14583 | JOINT - block | 1 |
| 31 C 14584 | CRANK - chute control | 1 |
| 32 C 15957 | BRACKET - crank | 1 |
| 33 113- 207 | BOLT - 3/8" x 1" NC hex | 1 |
| 34 C 15514 | FLANGETTE | 2 |
| 35 C 14419 | BEARING - includes collar and setscrew | 1 |
| 321- 1571 | DECAL - "CASE" | 1 |
| C 12296 | DECAL - "CAUTION" | 1 |
| 36 195- 545 | WASHER - 13/16" | UAR |
| 37 131- 176 | NUT - 5/16" NC hex | 2 |

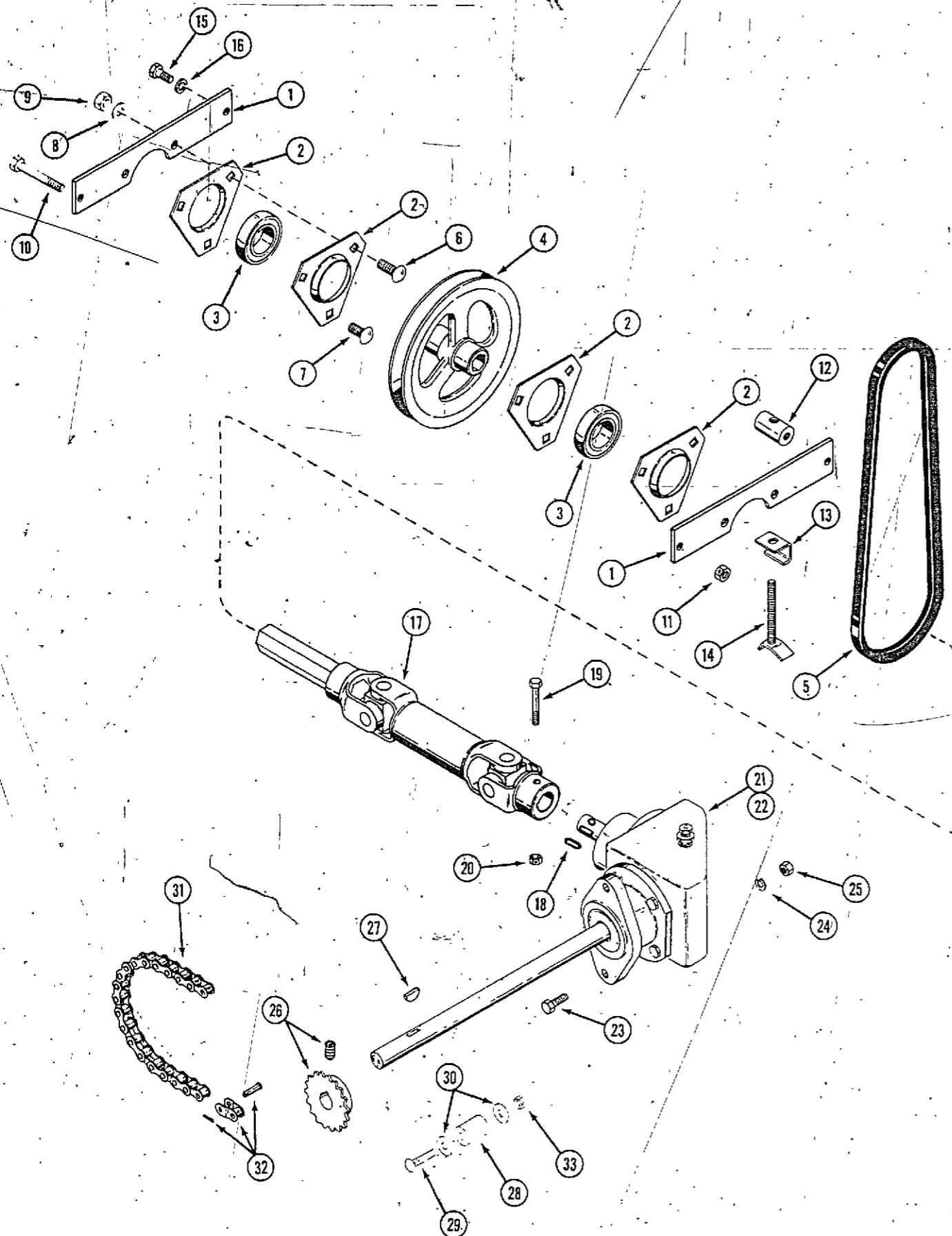
CASE MODEL G80 AND G84 SNOWCASTERS
LIFT ASSEMBLY



| REF. PART NO. | DESCRIPTION | REQ'D |
|---------------|-----------------------------|-------|
| 1 C 14646 | BRACKET - mounting R.H. | 1 |
| 2 C 14647 | BRACKET - mounting L.H. | 1 |
| 3 113- 207 | BOLT - 3/8" x 1" NC hex | 4 |
| 4 192- 21 | LOCKWASHER - 3/8" | 4 |
| 5 C 14632 | BRACKET - spring anchor | 1 |
| 6 195- 530 | WASHER - 1/2" ID ZP | 2 |
| 7 132- 34 | PIN - cotter 3/32" x 1-3/4" | 2 |
| 8 113- 602 | BOLT - 5/8" x 1" NC hex | 2 |
| 9 192- 25 | LOCKWASHER - 5/8" | 2 |
| 10 129- 107 | NUT - 5/8" NC hex | 2 |
| 11 C 14482 | SPRING - lift | 2 |
| 12 C 12692 | PIN - clevis 5/8" | 2 |
| 13 C 10898 | PIN - safety | 3 |
| 14 C 14635 | PIN - mounting | 1 |
| 15 C 14363 | SPACER - mounting bracket | 1 |
| 16 113- 424 | BOLT - 1/2" x 1" NC hex | 2 |
| 17 192- 23 | LOCKWASHER - 1/2" | 4 |
| 18 129- 105 | NUT - 1/2" NC hex | 4 |
| 19 C 14413 | "J" BOLT - lift rod | 2 |
| 20 C 14414 | ROD - lift | 2 |
| 21 C 14415 | LEVER - push rod | 2 |
| 22 113- 417 | BOLT - 1/2" x 1-1/4" NC hex | 2 |

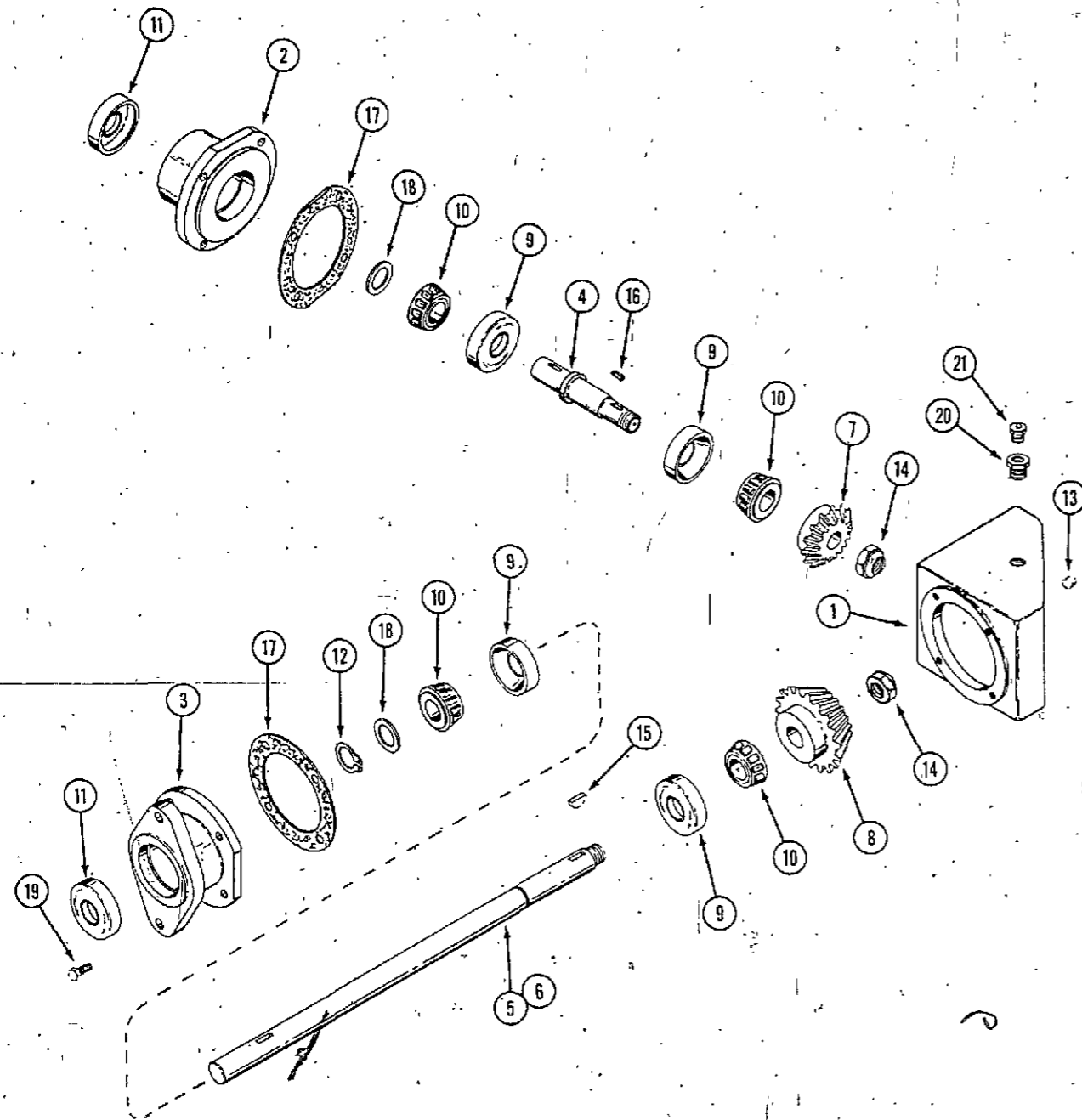
DRIVE ASSEMBLY

MODEL G80 38" FOR 220 AND 222 TRACTORS
 MODEL G84 48" FOR 442 AND 444 TRACTORS



| REF. PART NO. | DESCRIPTION | REQ'D |
|---------------|---|-------|
| 1 C 15261 | PLATE - bearing mounting | 2 |
| 2 C 14504 | FLANGETTE | 4 |
| 3 C 14505 | BEARING - pulley | 2 |
| 4 C 14113 | PULLEY - PTO | 1 |
| 5 C 14116 | BELT - PTO drive | 1 |
| 6 111- 362 | BOLT - 3/8" x 1" NC round head, square neck | 4 |
| 7 111- 340 | BOLT - 3/8" x 3/4" round head, square neck | 2 |
| 8 192- 21 | LOCKWASHER - 3/8" ZP | 6 |
| 9 129- 103 | NUT - 3/8" NC hex ZP | 6 |
| 10 113- 111 | BOLT - 5/16" x 2-1/2" NC hex | 1 |
| 11 131- 176 | NUT - lock 5/16" NC hex | 1 |
| 12 C 15264 | BLOCK - belt tension | 1 |
| 13 C 14353 | LOCK - belt tension | 1 |
| 14 C 15262 | SCREW - adjust | 1 |
| 15 113- 102 | BOLT - 5/16" x 3/4" NC hex | 2 |
| 16 192- 20 | LOCKWASHER - 5/16" ZP | 2 |
| 17 C 15774 | SHAFT - drive | 1 |
| 18 C 14606 | KEY - flat 3/16" x 1" | 1 |
| 19 113- 132 | BOLT - 1/4" x 1-3/4" NC hex | 1 |
| 20 131- 1102 | NUT - lock 1/4" NC hex | 1 |
| 21 C 15505 | GEARBOX ASSEMBLY - G84 (Repairs page 11) | 1 |
| 22 C 15506 | GEARBOX-ASSEMBLY- G80 (Repairs page 11) | 1 |
| 23 113- 208 | BOLT - 3/8" x 1-1/4" NC hex ZP | 2 |
| 24 192- 21 | LOCKWASHER - 3/8" ZP | 2 |
| 25 129- 103 | NUT - 3/8" NC hex ZP | 2 |
| 26 C 14579 | SPROCKET - drive, includes setscrews | 1 |
| 27 126- 16 | KEY - Woodruff 3/16" x 3/4" | 1 |
| 28 C 16158 | BLOCK - idler | 1 |
| 29 111- 349 | BOLT - 3/8" x 2-1/2" round head, square neck | 1 |
| 30 195- 2029 | WASHER - 7/16" | 2 |
| 31 | CHAIN - auger drive 64 pitches #40 roller chain, use: | 1 |
| | 1 - B12470 chain 50 links #40 | |
| | 2 - B12473 chain 6 links #40 | |
| | 1 - B12501 connecting link #40 | |
| | 1 - B12503 roller link #40 | |
| B 12470 | CHAIN - 50 links #40 | 1 |
| B 12473 | CHAIN - 6 links #40 | 2 |
| B 12501 | LINK - connecting #40 | 1 |
| B 12503 | LINK - roller #40 | 1 |
| 32 B 12502 | LINK - offset #40 | 1 |
| 33 131- 178 | NUT - lock 3/8" NC hex | 1 |

CASE MODEL G80 AND G84 SNOWCASTERS
GEAR BOX ASSEMBLY



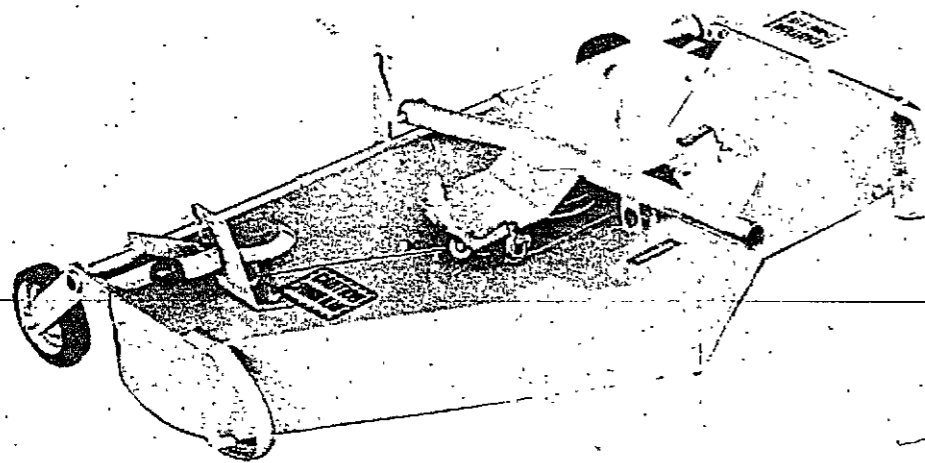
| REF. PART NO. | DESCRIPTION | REQ'D |
|---------------|------------------------------------|-------|
| C 15505 | GEAR BOX - complete for Model G84 | 1 |
| C 15506 | GEAR BOX - complete for Model G80 | 1 |
| 1 C 11850 | HOUSING - gear box | 1 |
| 2 C 11851 | HOUSING - input bearing | 1 |
| 3 C 11852 | HOUSING - output bearing | 1 |
| 4 C 14605 | SHAFT - input | 1 |
| 5 C 15503 | SHAFT - output G84 | 1 |
| 6 C 15504 | SHAFT - output G80 | 1 |
| 7 C 11855 | GEAR - pinion | 1 |
| 8 C 11856 | GEAR - output | 1 |
| 9 B 12410 | CUP - bearing | 4 |
| 10 B 12411 | BEARING - cone | 4 |
| 11 C 12079 | OIL SEAL | 2 |
| 12 T 25683 | RING - retaining | 1 |
| 13 221- 841 | PLUG - housing 1/4" NPT | 2 |
| 14 131- 34 | NUT - pinion retaining | 2 |
| 15 126- 16 | KEY - Woodruff 3/16" x 3/4" | 1 |
| 16 C 14604 | KEY - 3/16" x 3/4" square | 1 |
| 17 T 32754 | GASKET | 2 |
| 18 C 12077 | SPACER - bearing | 2 |
| 19 15- 412 | BOLT - 1/4" x 3/4" NC hex | 8 |
| 20 221- 51 | BUSHING - reducer 1/4" NPT to 1/8" | 1 |
| 21 A 50096 | VENT - pressure relief | 1 |

MODELS G40, G44 AND G46 ROTARY MOWERS

Parts Catalog A1163

Print Shop 2000 1-75

NOTE: This Parts Catalog replaces the previous Issue No. 1163 which is obsolete and should be discarded.



ALPHABETICAL INDEX

| | PAGE | GRID |
|--------------------|------|--------|
| Axle, G40 & G44 | 9 | B8 |
| Axle, G46 | 13 | B12 |
| Belts, deck | 5 | B4 |
| Belts, drive | 5 | B4 |
| Blades, G40 & G44 | 7 | B6 |
| Blades, G46 | 11 | B10 |
| Decks | 5 | B4 |
| Drive assembly | 9-13 | B8-B12 |
| Guards & Covers | 5 | B4 |
| Housing, spindle | 7-11 | B6-B10 |
| Lift assembly | 9-13 | B8-B12 |
| Pulleys, G40 & G44 | 7 | B6 |
| Pulleys, G46 | 11 | B10 |
| Rollers, rubber | 5 | B4 |
| Rods, adjusting | 9-13 | B8-B12 |
| Spindles | 7-11 | B6-B10 |
| Wheels, gauge | 9-13 | B8-B12 |

| MODEL DESIGNATIONS | TRACTOR APPLICATION | | | |
|--------------------|---------------------|-----|-----|-----|
| | 220 | 222 | 442 | 444 |
| G40 | X | X | | |
| G44 | X | X | X | X |
| G46 | 1 | X | X | X |
| G3 MOUNTING KIT | X | X | | |
| G5 MOUNTING KIT | | | X | X |

NOTE: See grid A2 for -
G80, G84 Snowcasters

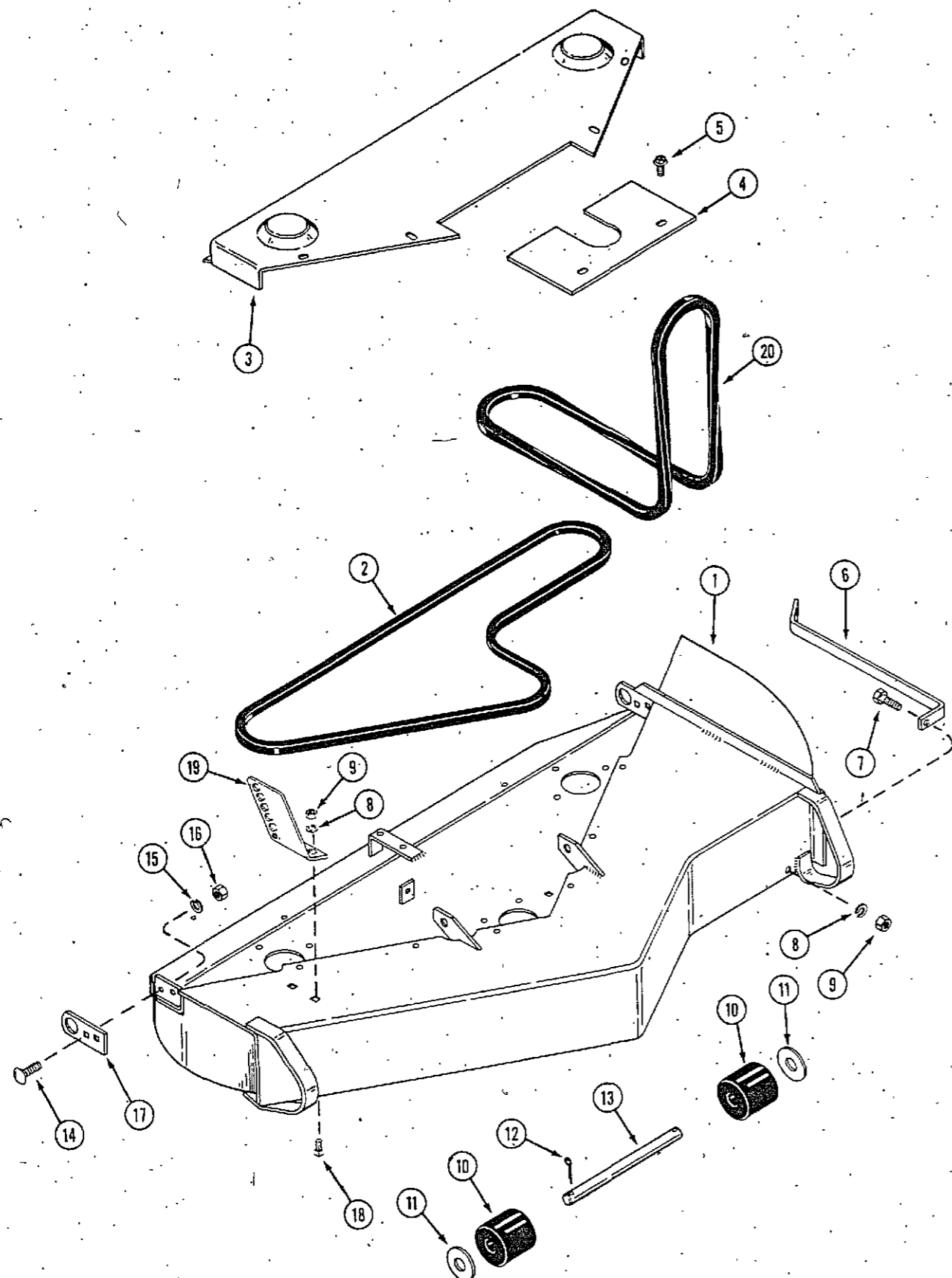
NOTE: See grid C2 for -
H40, H44, H46 Rotary Mower,
H50, H54 Dozer Blades,
E60 Dump Cart,
H80, H84 Snow Casters.

NOTE: See grid E2 for -
J, K, L, M, N40; J, K, L, M, N44;
J, K, L, M, N46 Rotary Mowers,
J, K, L, M, N, P, R, S80
Snow Casters,
J, K, L, M, N, P, R, S84
Snow Casters,
J, K, L(50)(54) Utility Blades

1 - WILL FIT BUT NOT RECOMMENDED.

DECK, BELTS AND DECK COVERS

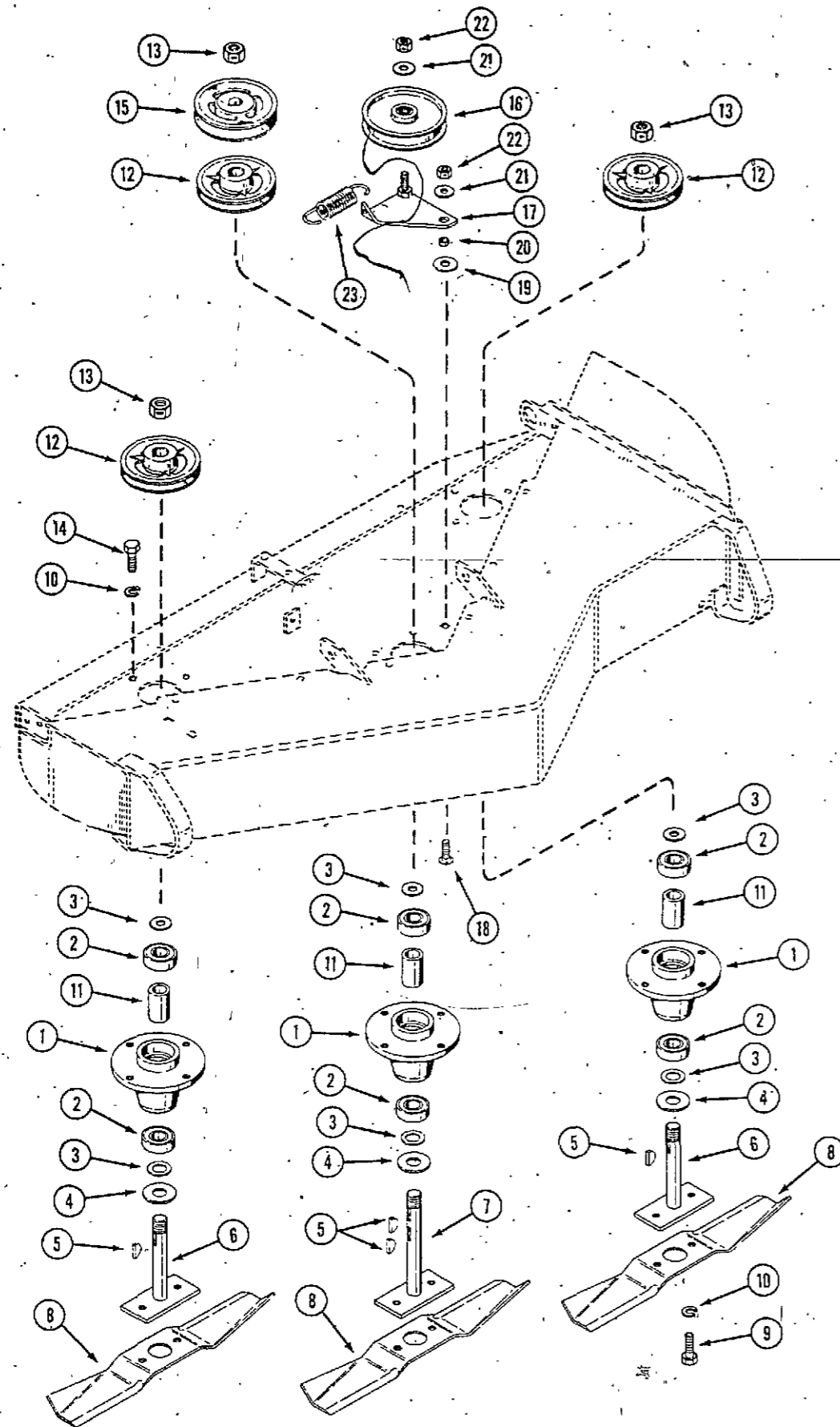
MODELS G40, G44, AND G46



| REF. PART NO. | DESCRIPTION | REQ'D |
|---------------|---|-------|
| 1 C 15575 | DECK - mower, G40 (38") | 1 |
| 1 C 15620 | DECK - mower, G44 (44") | 1 |
| 1 C 15592 | DECK - mower, G46 (48") | 1 |
| 2 C 16093 | BELT - mower deck, G40 | 1 |
| 2 C 16094 | BELT - mower deck, G44 | 1 |
| 2 C 14965 | BELT - mower deck, G46 | 1 |
| 3 C 15679 | GUARD - deck belt, G40 | 1 |
| 3 C 15680 | GUARD - deck belt, G44 | 1 |
| 3 C 15681 | GUARD - deck belt, G46 | 1 |
| 4 C 15675 | COVER - deck, small | 1 |
| 5 187- 1036 | SCREW - 1/4" x 1/2" NC hex self-tapping | 8 |
| 6 C 15640 | BAR - safety, G40 | 1 |
| 6 C 15639 | BAR - safety, G44 | 1 |
| 6 C 15634 | BAR - safety, G46 | 1 |
| 7 113- 102 | BOLT - 5/16" x 3/4" NC hex ZP | 2 |
| 8 192- 20 | LOCKWASHER - 5/16" ZP | 4 |
| 9 129- 102 | NUT - 5/16" NC hex ZP | 4 |
| 10 A 70514 | ROLLER - 2-1/2" x 2-3/8" | 2 |
| 11 195- 108 | WASHER - 5/8" ZP | 2 |
| 12 132- 310 | PIN - cotter 1/8" x 1" | 2 |
| 13 C 14892 | SHAFT - rear roller | 2 |
| 14 111- 317 | BOLT - 3/8" x 1" NC rd. hd. square neck | 2 |
| 15 192- 21 | LOCKWASHER - 3/8" ZP | 2 |
| 16 129- 103 | NUT - 3/8" NC hex ZP | 2 |
| 17 C 15562 | BRACKET - axle pivot, G40 | 1 |
| 17 C 15560 | BRACKET - axle pivot, G44 | 1 |
| 17 C 15561 | BRACKET - axle pivot, G46 | 1 |
| 18 111- 202 | BOLT - 5/16" x 3/4" rd. hd. square neck | 2 |
| 19 C 15935 | BRACKET - height adj. | 1 |
| 20 C 15944 | BELT - drive, G40 | 1 |
| 20 C 16088 | BELT - drive (use with G44 & G46 on 220 & 222 tractors) | 1 |
| 20 C 15943 | BELT - drive (use with G44 & G46 on 442 & 444 tractors) | 1 |
| 321- 1571 | DECAL - "CASE" | 1 |
| A 70404 | DECAL - CAUTION SPINNING BLADE | 2 |
| C 12519 | DECAL - "NO STEP" | 2 |
| C 15956 | DECAL - height adjust | 1 |
| C 15678 | DECAL - safety | 1 |

PULLEYS, BLADES AND SPINDLES

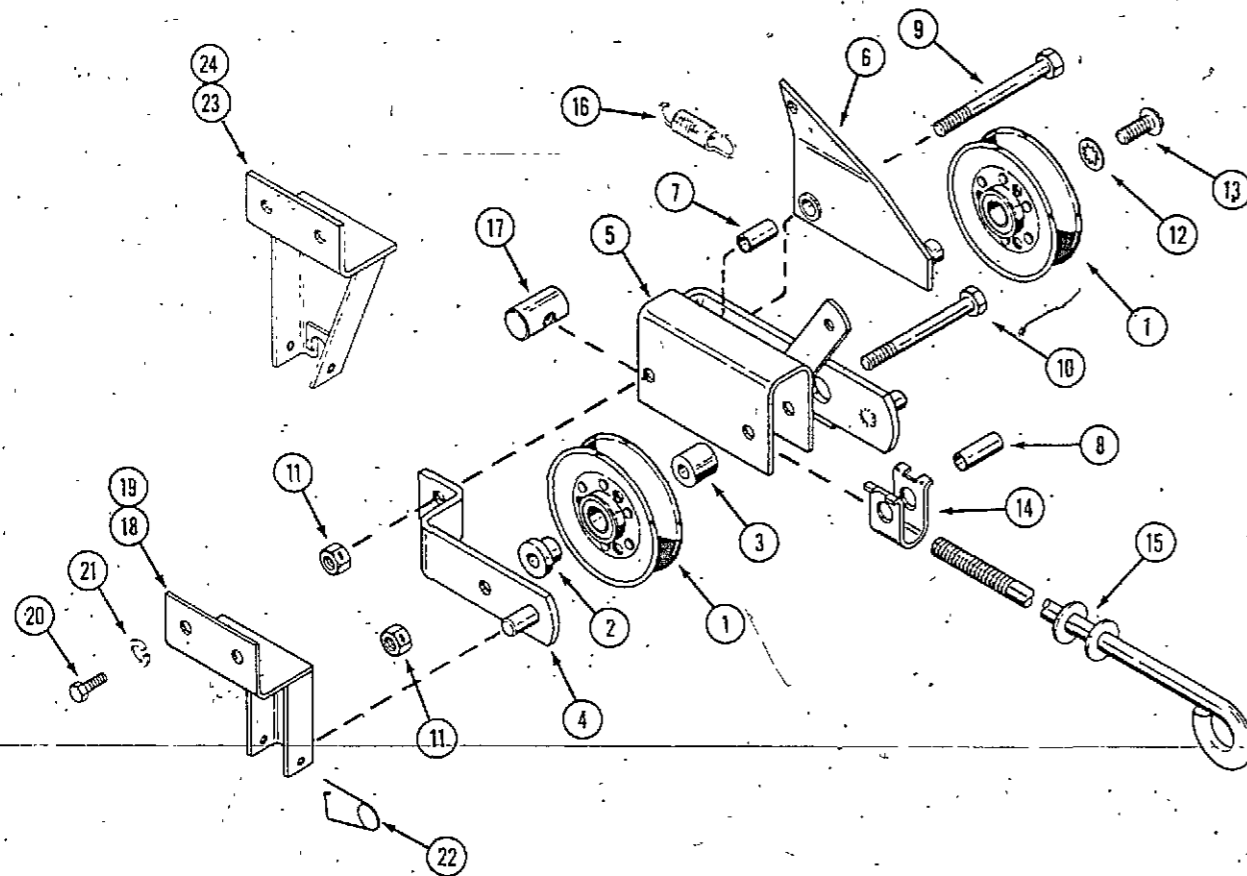
MODELS G40 AND G44



| REF. PART NO. | DESCRIPTION | REQ'D |
|---------------|--------------------------------------|-------|
| 1 C 10807 | HOUSING - mower spindle | 3 |
| 2 C 10899 | BEARING - spindle | 6 |
| 3 C 10822 | WASHER - bearing seal | 6 |
| 4 C 10942 | WASHER - mower spindle | 3 |
| 5 126- 19 | KEY - spindle, #11 Woodruff | 4 |
| 6 C 15763 | SPINDLE - outboard | 2 |
| 7 C 15604 | SPINDLE - center | 1 |
| 8 C 12261 | BLADE - 14" (G40) | 3 |
| 8 C 12262 | BLADE - 15-1/2" (G44) | 3 |
| 9 115- 206 | BOLT - 3/8" x 5/8" NC hex (grade 5) | 6 |
| 10 92- 6 | LOCKWASHER - 3/8" | 18 |
| 11 C 10810 | SPACER - bearing | 3 |
| 12 C 15617 | PULLEY - outboard | 3 |
| 13 131- 152 | NUT - jam lock 3/4" NF hex | 3 |
| 14 15- 612 | BOLT - 3/8" x 3/4" NC hex | 12 |
| 15 C 15963 | PULLEY - drive | 1 |
| 16 C 12251 | PULLEY - deck idler | 1 |
| 17 C 14731 | BRACKET - idler | 1 |
| 18 111- 317 | BOLT - 3/8" x 1" rd. hd. Square neck | 1 |
| 19 195- 530 | WASHER - 1/2" ZP | 1 |
| 20 C 14768 | SPACER - idler bracket | 1 |
| 21 195- 525 | WASHER - 3/8" ZP | 2 |
| 22 131- 178 | NUT - lock 3/8" NC hex | 2 |
| 23 C 14482 | SPRING - idler | 1 |

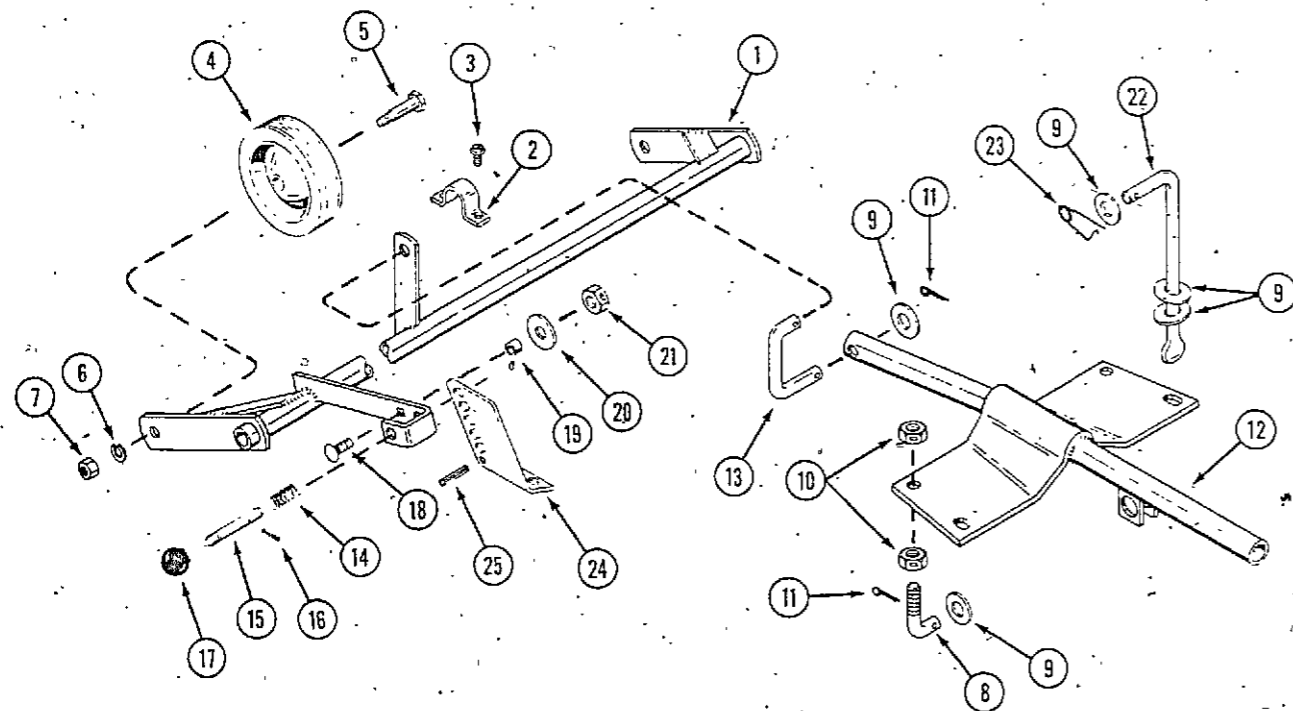
DRIVE ASSEMBLY

MODELS G40 AND G44



| REF. PART NO. | DESCRIPTION | REQ'D |
|---------------|--|-------|
| 1 C 10463 | PULLEY - idler drive | 2 |
| 2 C 12264 | BUSHING - idler pulley | 1 |
| 3 C 12249 | SPACER - idler pulley | 1 |
| 4 C 12256 | BRACKET - pivot R.H. | 1 |
| 5 C 15930 | BRACKET ASSEMBLY | 1 |
| 6 C 15962 | BELLCRANK | 1 |
| 7 C 15931 | SPACER - bellcrank | 1 |
| 8 C 12236 | SPACER - bracket assembly | 2 |
| 9 113- 267 | BOLT - 3/8" x 4" NC hex ZP | 1 |
| 10 113- 259 | BOLT - 3/8" x 4-1/2" NC hex ZP | 1 |
| 11 131- 178 | NUT - lock 3/8" NC hex ZP | 2 |
| 12 193- 30 | LOCKWASHER - 3/8" internal tooth | 1 |
| 13 175- 420 | SCREW - 3/8" x 3/4" NC truss hd. mach. | 1 |
| 14 C 14262 | PIVOT - adjusting screw | 1 |
| 15 C 14264 | SCREW - belt tension | 1 |
| 16 C 14482 | SPRING - bellcrank idler | 1 |
| 17 C 14269 | NUT - belt tension | 1 |
| 18 C 15949 | BRACKET - mower mtg. R.H. (For Models 220 & 222) | 1 |
| 19 C 15950 | BRACKET - mower mtg. L.H. (For Models 220 & 222) | 1 |
| 20 113- 207 | BOLT - 3/8" x 1" NC hex ZP | 4 |
| 21 192- 21 | LOCKWASHER - 3/8" ZP | 4 |
| 22 C 10898 | PIN - safety | 2 |
| 23 C 15953 | BRACKET - mower mtg. R.H. (For Models 442 & 444) | 1 |
| 24 C 15954 | BRACKET - mower mtg. L.H. (For Models 442 & 444) | 1 |

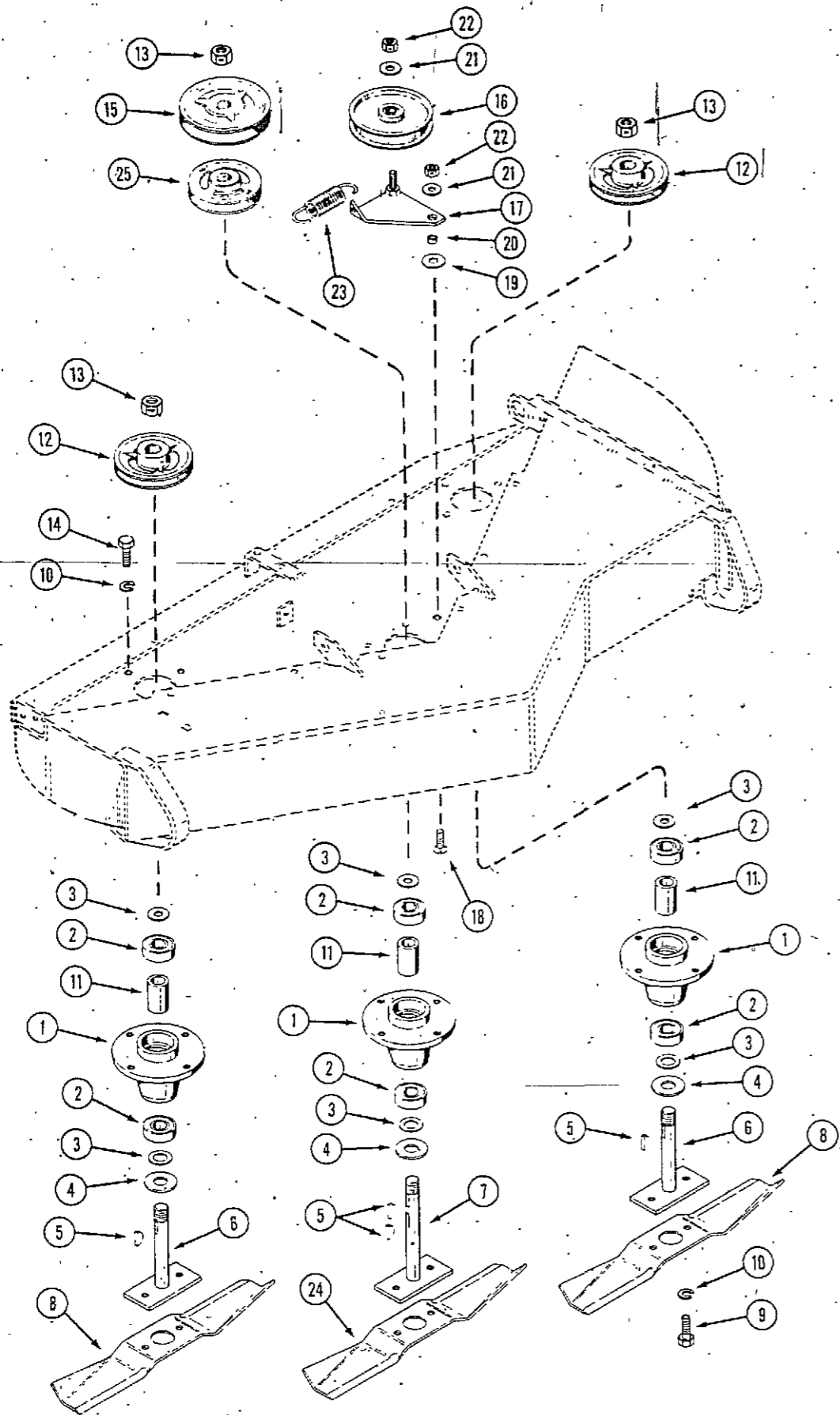
AXLE AND LIFT ASSEMBLY



| | | |
|-------------|--|----|
| 1 C 15600 | AXLE - rear (G40) | 1 |
| 1 C 15602 | AXLE - rear (G44) | 1 |
| 2 C 14932 | BRACKET - center, axle mounting | 1 |
| 3 187- 1036 | SCREW - 1/4" x 1/2" NC hex self-tapping | 2 |
| 4 C 19555 | WHEEL - gauge | 2 |
| 5 C 15412 | STUD - gauge wheel | 2 |
| 6 192- 21 | LOCKWASHER - 3/8" | 2 |
| 7 129- 103 | NUT - 3/8" NC hex | 2 |
| 8 C 14933 | "J" BOLT | 2 |
| 9 195- 533 | WASHER - 1/2" ZP | 10 |
| 10 131- 165 | NUT - lock 1/2" ZP | 4 |
| 11 132- 310 | PIN - cotter 1/8" x 1" | 4 |
| 12 C 15613 | FRAME - mower lift | 1 |
| 13 C 15614 | LINK - lift | 1 |
| 14 C 10482 | SPRING | 1 |
| 15 C 15942 | PIN - locking | 1 |
| 16 138- 77 | PIN - roll | 1 |
| 17 C 15618 | KNOB - height adjust | 1 |
| 18 11- 516 | BOLT - 5/16" x 1" NC rd. hd. square neck | 1 |
| 19 C 14768 | SPACER | 1 |
| 20 G 49048 | WASHER - 5/16" x 1-1/4" | 1 |
| 21 131- 176 | NUT - lock 5/16" NC hex | 1 |
| 22 C 15761 | ROD - lift (use with 220 and 222 tractors) | 2 |
| 22 C 15762 | ROD - lift (use with 442 and 444 tractors) | 2 |
| 23 C 10898 | PIN - safety | 1 |
| 24 C 15935 | BRACKET - height adj. | 1 |
| 25 138- 92 | PIN - roll 3/16" x 3/4" | 1 |

PULLEYS, BLADES AND SPINDLES

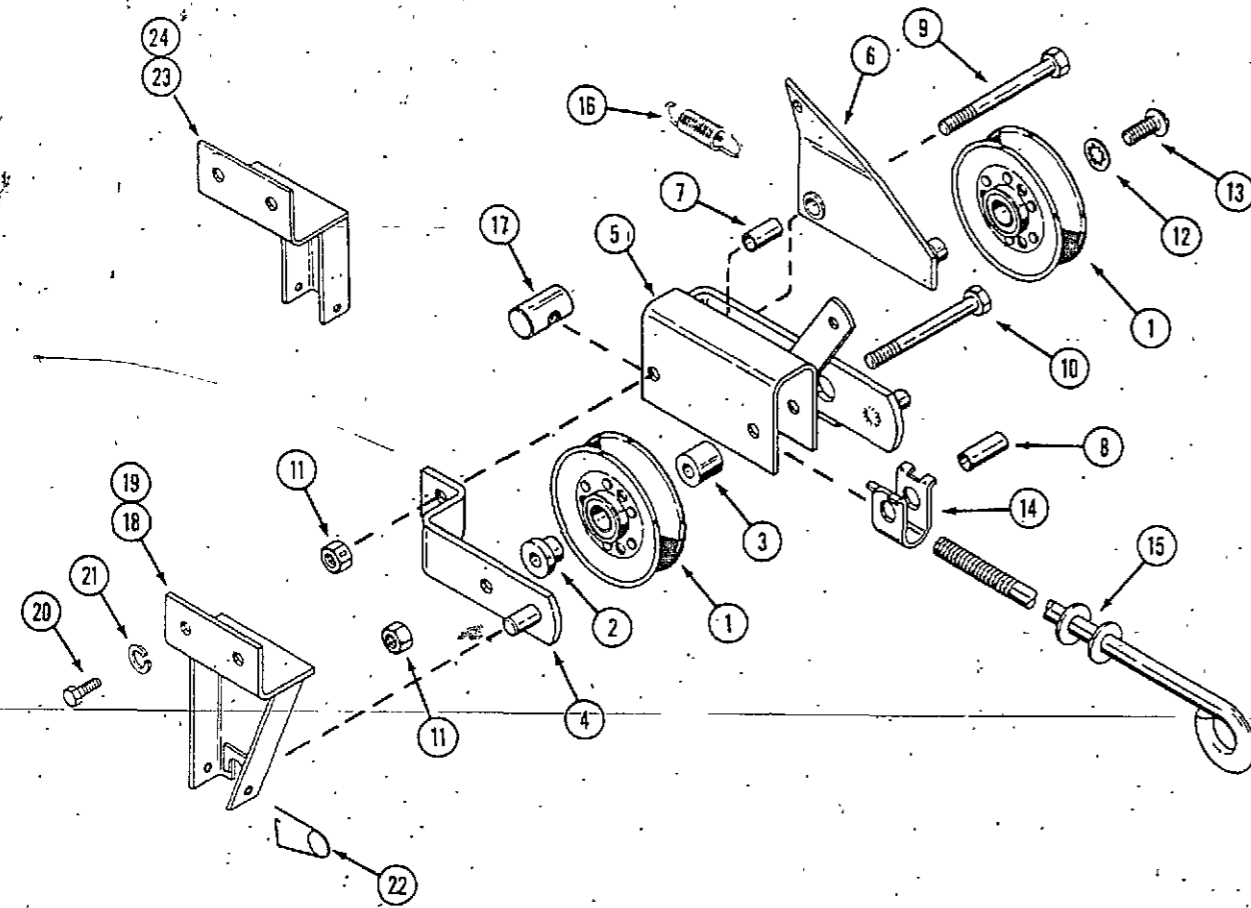
MODEL G46



| REF. PART NO. | DESCRIPTION | REQ'D |
|---------------|--------------------------------------|-------|
| 1 C 10807 | HOUSING - mower spindle | 3 |
| 2 C 10899 | BEARING - spindle | 6 |
| 3 C 10822 | WASHER - bearing seal | 6 |
| 4 C 10942 | WASHER - mower spindle | 3 |
| 5 126- 19 | KEY - spindle, #11 Woodruff | 4 |
| 6 C 15763 | SPINDLE - outboard | 2 |
| 7 C 15604 | SPINDLE - center | 1 |
| 8 C 14886 | BLADE - 17" outboard | 2 |
| 9 115- 206 | BOLT - 3/8" x 5/8" NC hex (grade 5) | 6 |
| 10 92- 6 | LOCKWASHER - 3/8" | 18 |
| 11 C 10810 | SPACER - bearing | 3 |
| 12 C 15617 | PULLEY - outboard | 2 |
| 13 131- 152 | NUT - jam lock 3/4" NF hex | 3 |
| 14 15- 612 | BOLT - 3/8" x 3/4" NC hex | 12 |
| 15 C 15615 | PULLEY - drive | 1 |
| 16 C 12251 | PULLEY - deck idler | 1 |
| 17 C 14731 | BRACKET - idler | 1 |
| 18 111- 317 | BOLT - 3/8" x 1" rd. hd. square neck | 1 |
| 19 195- 530 | WASHER - 1/2" ZP | 1 |
| 20 C 14768 | SPACER - idler bracket | 1 |
| 21 195- 525 | WASHER - 3/8" ZP | 2 |
| 22 131- 178 | NUT - lock 3/8" NC hex | 2 |
| 23 C 14482 | SPRING - idler | 1 |
| 24 C 14885 | BLADE - 16" center | 1 |
| 25 C 15616 | PULLEY - center | 1 |

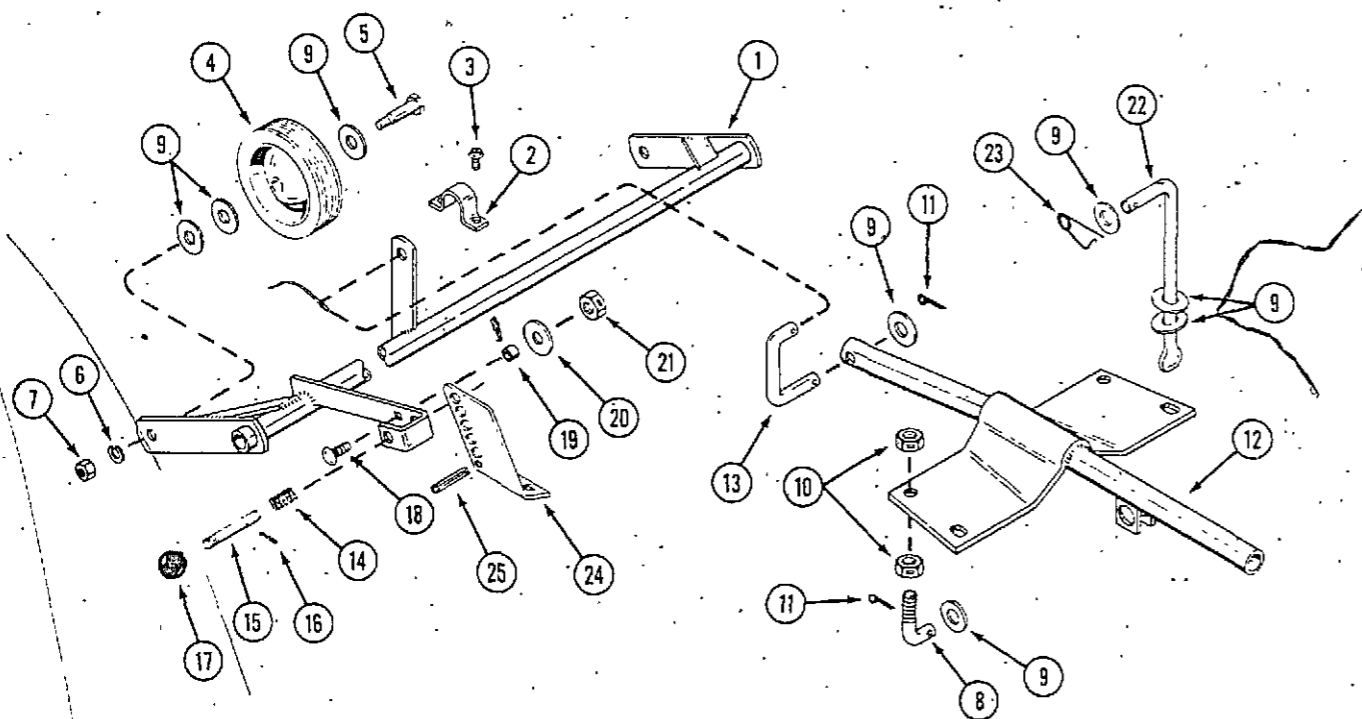
DRIVE ASSEMBLY

MODEL G46



| REF. PART NO. | DESCRIPTION | REQ'D |
|---------------|--|-------|
| 1 C 10463 | PULLEY - idler drive | 2 |
| 2 C 12264 | BUSHING - idler pulley | 1 |
| 3 C 12249 | SPACER - idler pulley | 1 |
| 4 C 12256 | BRACKET - idler R.H. | 1 |
| 5 C 15930 | BRACKET ASSEMBLY | 1 |
| 6 C 15962 | BELLCRANK | 1 |
| 7 C 15931 | SPACER - bellcrank | 1 |
| 8 C 12236 | SPACER - bracket assembly | 2 |
| 9 113- 267 | BOLT - 3/8" x 4" NC hex ZP | 1 |
| 10 113- 259 | BOLT - 3/8" x 4" NC hex ZP | 1 |
| 11 131- 178 | NUT - lock 3/8" NC hex ZP | 2 |
| 12 193- 30 | LOCKWASHER - 3/8" internal tooth | 1 |
| 13 175- 420 | SCREW - 3/8" x 3/4" NC truss hd. mach. | 1 |
| 14 C 14262 | PIVOT - adjusting screw | 1 |
| 15 C 14264 | SCREW - belt tension | 1 |
| 16 C 14482 | SPRING - bellcrank idler | 1 |
| 17 C 14269 | NUT - belt tension | 1 |
| 18 C 15953 | BRACKET - mower mtg. R.H. (For models 442 and 444) | 1 |
| 19 C 15954 | BRACKET - mower mtg. L.H. (For models 442 and 444) | 1 |
| 20 113- 207 | BOLT - 3/8" NC hex ZP | 4 |
| 21 192- 21 | LOCKWASHER - 3/8" ZP | 4 |
| 22 C 10898 | PIN - safety | 2 |
| 23 C 15949 | BRACKET - mower mtg. R.H. (For models 220 and 222) | 1 |
| 24 C 15950 | BRACKET - mower mtg. R.H. (For models 220 and 222) | 1 |

AXLE AND LIFT ASSEMBLY



| | | |
|-------------|--|----|
| 1 C 15619 | AXLE - rear | 1 |
| 2 C 14932 | BRACKET - center, axle mtg. | 2 |
| 3 187- 1036 | SCREW - 1/4" x 1/2" NC hex self-tapping | 4 |
| 4 C 19556 | WHEEL - gauge | 2 |
| 5 C 14966 | STUD - gauge wheel | 2 |
| 6 192- 21 | LOCKWASHER - 3/8" | 2 |
| 7 129- 103 | NUT - 3/8" NC hex | 2 |
| 8 C 14933 | "J" BOLT | 2 |
| 9 195- 533 | WASHER - 1/2" ZP | 18 |
| 10 131- 165 | NUT - lock 1/2" ZP | 4 |
| 11 132- 310 | PIN - cotter 1/8" x 1" | 4 |
| 12 C 15613 | FRAME - mower lift | 1 |
| 13 C 15614 | LINK - lift | 1 |
| 14 C 10482 | SPRING | 1 |
| 15 C 15942 | PIN - locking | 1 |
| 16 138- 77 | PIN - roll | 1 |
| 17 C 15618 | KNOB - height adjust | 1 |
| 18 11- 516 | BOLT - 5/16" x 1" NC rd. hd. square neck | 1 |
| 19 C 14768 | SPACER | 1 |
| 20 G 49048 | WASHER - 5/16" x 1-1/4" | 1 |
| 21 131- 176 | NUT - lock 5/16" NC hex | 1 |
| 22 C 15761 | ROD - lift (use with 222 tractor) | 2 |
| 22 C 15762 | ROD - lift (use with 442 and 444 tractors) | 2 |
| 23 C 10898 | PIN - safety | 2 |
| 24 C 15935 | BRACKET - height adj. | 1 |
| 25 138- 92 | PIN - roll 3/16" x 3/4" | 1 |

NUMERICAL INDEX

| PART NO. | PAGE NO. | REF. NO. | PART NO. | PAGE NO. | REF. NO. | PART NO. | PAGE NO. | REF. NO. |
|----------|----------|----------|----------|----------|----------|----------|----------|----------|
| A | 70404 | 5 | C | 15604 | 7 | 92- | 6 | 11 |
| A | 70514 | 5 | C | 15604 | 11 | 111- | 202 | 5 |
| C | 10463 | 9 | C | 15613 | 9 | 111- | 317 | 5 |
| C | 10463 | 13 | C | 15613 | 13 | 111- | 317 | 7 |
| C | 10482 | 9 | C | 15614 | 9 | 111- | 317 | 11 |
| C | 10482 | 13 | C | 15614 | 13 | 113- | 102 | 5 |
| C | 10807 | 7 | C | 15615 | 11 | 113- | 207 | 9 |
| C | 10807 | 11 | C | 15616 | 11 | 113- | 207 | 13 |
| C | 10810 | 7 | C | 15617 | 7 | 113- | 159 | 9 |
| C | 10810 | 11 | C | 15617 | 11 | 113- | 259 | 13 |
| C | 10822 | 7 | C | 15618 | 9 | 113- | 267 | 9 |
| C | 10822 | 11 | C | 15618 | 13 | 113- | 267 | 13 |
| C | 10898 | 9 | C | 15619 | 13 | 115- | 206 | 7 |
| C | 10898 | 9 | C | 15620 | 5 | 115- | 206 | 11 |
| C | 10898 | 13 | C | 15634 | 5 | 126- | 19 | 7 |
| C | 10898 | 13 | C | 15639 | 5 | 126- | 19 | 11 |
| C | 10899 | 7 | C | 15640 | 5 | 129- | 102 | 5 |
| C | 10899 | 11 | C | 15675 | 5 | 129- | 103 | 5 |
| C | 10942 | 11 | C | 15678 | 5 | 129- | 103 | 9 |
| C | 10942 | 11 | C | 15679 | 5 | 129- | 103 | 13 |
| C | 12236 | 9 | C | 15680 | 5 | 131- | 152 | 7 |
| C | 12236 | 13 | C | 15681 | 5 | 131- | 152 | 11 |
| C | 12249 | 9 | C | 15761 | 9 | 131- | 165 | 9 |
| C | 12249 | 13 | C | 15761 | 13 | 131- | 165 | 13 |
| C | 12251 | 7 | C | 15762 | 9 | 131- | 176 | 9 |
| C | 12251 | 11 | C | 15762 | 13 | 131- | 176 | 13 |
| C | 12256 | 9 | C | 15763 | 7 | 131- | 178 | 7 |
| C | 12256 | 13 | C | 15763 | 11 | 131- | 178 | 9 |
| C | 12261 | 7 | C | 15930 | 9 | 131- | 178 | 11 |
| C | 12262 | 7 | C | 15930 | 13 | 131- | 178 | 13 |
| C | 12264 | 9 | C | 15931 | 9 | 132- | 310 | 5 |
| C | 12264 | 13 | C | 15931 | 13 | 132- | 310 | 9 |
| C | 12519 | 5 | C | 15935 | 5 | 132- | 310 | 13 |
| C | 14262 | 9 | C | 15935 | 9 | 138- | 77 | 9 |
| C | 14262 | 13 | C | 15935 | 13 | 138- | 77 | 13 |
| C | 14264 | 9 | C | 15942 | 9 | 138- | 92 | 9 |
| C | 14264 | 13 | C | 15942 | 13 | 138- | 92 | 13 |
| C | 14269 | 9 | C | 15943 | 5 | 175- | 420 | 9 |
| C | 14269 | 13 | C | 15944 | 5 | 175- | 420 | 13 |
| C | 14482 | 7 | C | 15949 | 9 | 187- | 1036 | 5 |
| C | 14482 | 9 | C | 15949 | 13 | 187- | 1036 | 9 |
| C | 14482 | 11 | C | 15950 | 9 | 187- | 1036 | 13 |
| C | 14482 | 13 | C | 15950 | 13 | 192- | 20 | 5 |
| C | 14731 | 7 | C | 15953 | 9 | 192- | 21 | 5 |
| C | 14731 | 11 | C | 15953 | 13 | 192- | 21 | 9 |
| C | 14768 | 7 | C | 15954 | 9 | 192- | 21 | 9 |
| C | 14768 | 9 | C | 15954 | 13 | 192- | 21 | 13 |
| C | 14768 | 11 | C | 15956 | 5 | 192- | 21 | 13 |
| C | 14768 | 13 | C | 15962 | 9 | 193- | 30 | 9 |
| C | 14885 | 11 | C | 15962 | 13 | 193- | 30 | 13 |
| C | 14886 | 11 | C | 15963 | 7 | 195- | 108 | 5 |
| C | 14892 | 5 | C | 16088 | 5 | 195- | 525 | 7 |
| C | 14932 | 9 | C | 16093 | 5 | 195- | 525 | 11 |
| C | 14932 | 13 | C | 16094 | 5 | 195- | 530 | 7 |
| C | 14933 | 9 | C | 19555 | 9 | 195- | 530 | 11 |
| C | 14933 | 13 | C | 19556 | 13 | 195- | 533 | 9 |
| C | 14965 | 5 | G | 49048 | 9 | 195- | 533 | 13 |
| C | 14966 | 13 | G | 49048 | 13 | 321- | 1571 | 5 |
| C | 15412 | 9 | | | | | | |
| C | 15560 | 5 | | | | | | |
| C | 15561 | 5 | | | | | | |
| C | 15562 | 5 | | | | | | |
| C | 15575 | 5 | | | | | | |
| C | 15592 | 5 | | | | | | |
| C | 15600 | 9 | | | | | | |
| C | 15602 | 9 | | | | | | |

HARDWARE CODE NUMBERS

| | | | |
|-----|-----|----|----|
| 11- | 516 | 9 | 18 |
| 11- | 516 | 13 | 18 |
| 15- | 612 | 7 | 14 |
| 15- | 612 | 11 | 14 |
| 92- | 6 | 7 | 10 |

INGERSOLL

Ingersoll Equipment Co., Inc.

REVISION RECORD LOG

| REVISION NO. | DATE INSERTED |
|--------------|---------------|
| 1. | |
| 2. | |
| 3. | |
| 4. | |
| 5. | |

TS/6-6-76

**H40, H44 & H46 ROTARY MOWER
H50 & H54 UTILITY BLADE
E60 DUMP CART
H80 & H84 SNOW BLOWER
FOR 220, 222, 442, & 444 COMPACT
TRACTORS (S/N 9646800 & AFTER)**

Parts Catalog B1188

Hi-Liter 2500

Published June 1978

Note: This parts catalog covers all "H" Attachments & E60 Dump Cart after the above serial no. and replaces both catalogs A1188 and A1183 which are obsolete and should be discarded.

| Model Designations | Tractor Application | | | |
|--------------------|---------------------|-----|-----|-----|
| | 220 | 222 | 442 | 444 |
| H40 Rotary Mower | X | X | (1) | (1) |
| H44 Rotary Mower | X | X | X | X |
| H46 Rotary Mower | (1) | X | X | X |
| H50 Dozer Blade | X | X | (1) | (1) |
| H54 Dozer Blade | (1) | X | X | X |
| E60 Dump Cart | X | X | X | X |
| H80 Snowblower | X | X | (1) | (1) |
| H84 Snowblower | (1) | X | X | X |

(1) Will Fit But Not Recommended.

J I Case
A Tenneco Company



Services Parts Supply

700 State Street
Racine, Wisconsin 53404

Printed in U.S.A.

ALPHABETICAL INDEX

MOWER SECTION

| | PAGE | GRID |
|-------------------------|------|-------|
| Axle | 11 | C10 |
| Belts | 5 | C4 |
| Blades | 7 | C6 |
| Blades, H46 | 9 | C8 |
| Decks | 5 | C4 |
| Guards and Covers | 5 | C4 |
| Housing, Spindle | 7-9 | C6-C8 |
| Idler, Deck | 7-9 | C6-C8 |
| Idler, Drive | 11 | C10 |
| Lift Assembly | 11 | C10 |
| Pulleys, Deck | 7-9 | C6-C8 |
| Rollers, Rubber | 5 | C4 |
| Spindles | 7-9 | C6-C8 |
| Wheels, Gauge | 11 | C10 |

DOZER SECTION

| | | |
|--------------------------|----|-----|
| Blade, 44" and 54" | 13 | C12 |
| Brackets, Mounting | 13 | C12 |
| Edge, Cutting | 13 | C12 |
| Skids | 13 | C12 |

DUMP CART SECTION

| | | |
|------------------------|----|-----|
| Axle | 15 | C14 |
| Body | 15 | C14 |
| Extensions, Side | 17 | D2 |
| Tongue | 15 | C14 |
| Wheels | 15 | C14 |

SNOWBLOWER SECTION

| | | |
|----------------------|----|----|
| Auger | 19 | D4 |
| Belts | 23 | D8 |
| Chute Control | 19 | D4 |
| Drive Assembly | 21 | D6 |
| Lift Assembly | 19 | D4 |

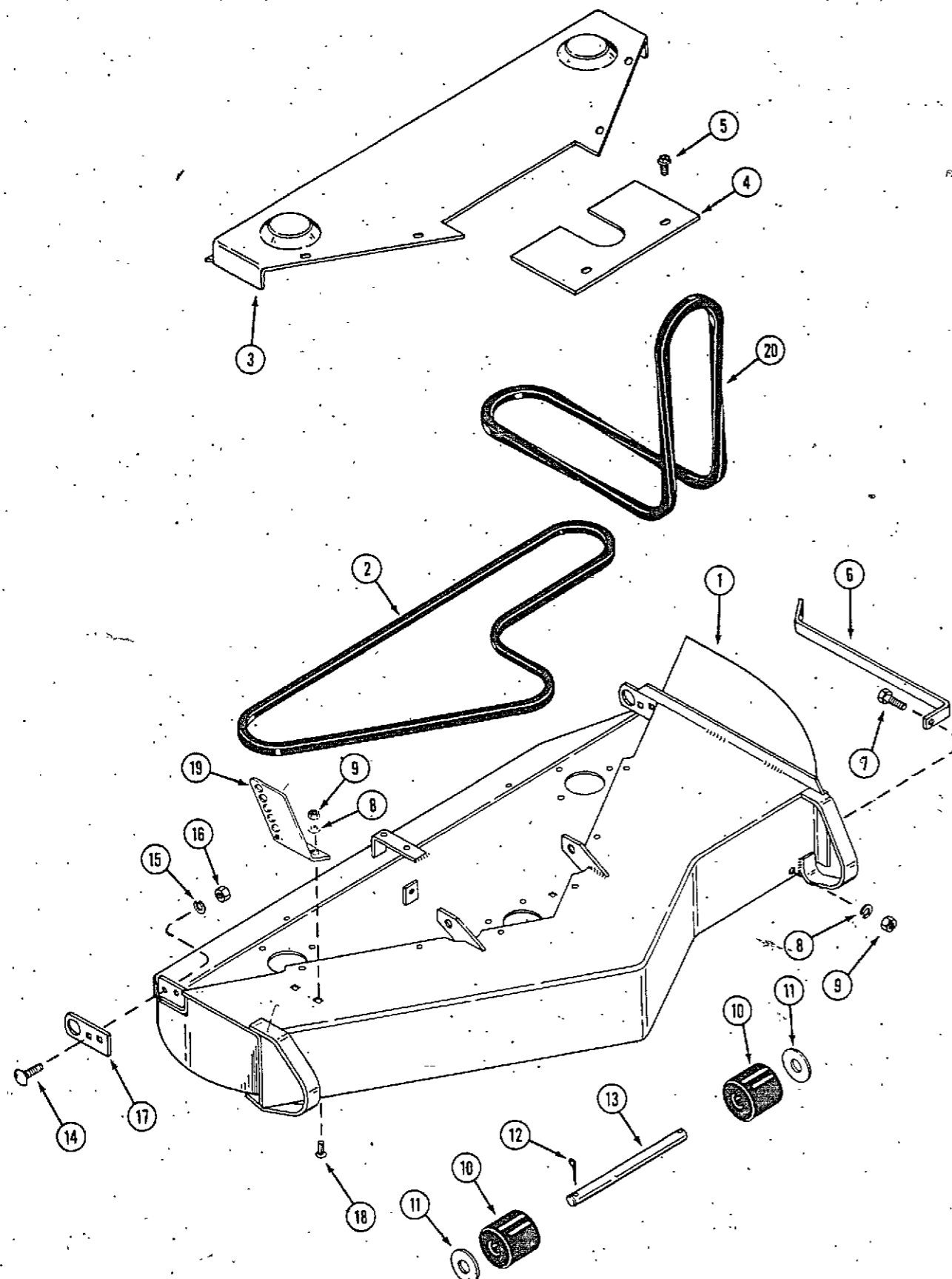
NOTE: See grid A2 for -
G80, G84 Snowcaster

NOTE: See grid B2 for -
G40, G44, G46 Rotary Mowers,
G3, G5 Mounting Kits

NOTE: See grid E2 for -
J, K, L, M, N40; J, K, L, M, N44;
J, K, L, M, N46 Rotary Mowers,
J, K, L, M, N, P, R, S80
Snowcasters,
J, K, L, M, N, P, R, S84
Snowcasters,
J, K, L(50)(54) Utility Blades

DECK, BELTS AND DECK COVERS

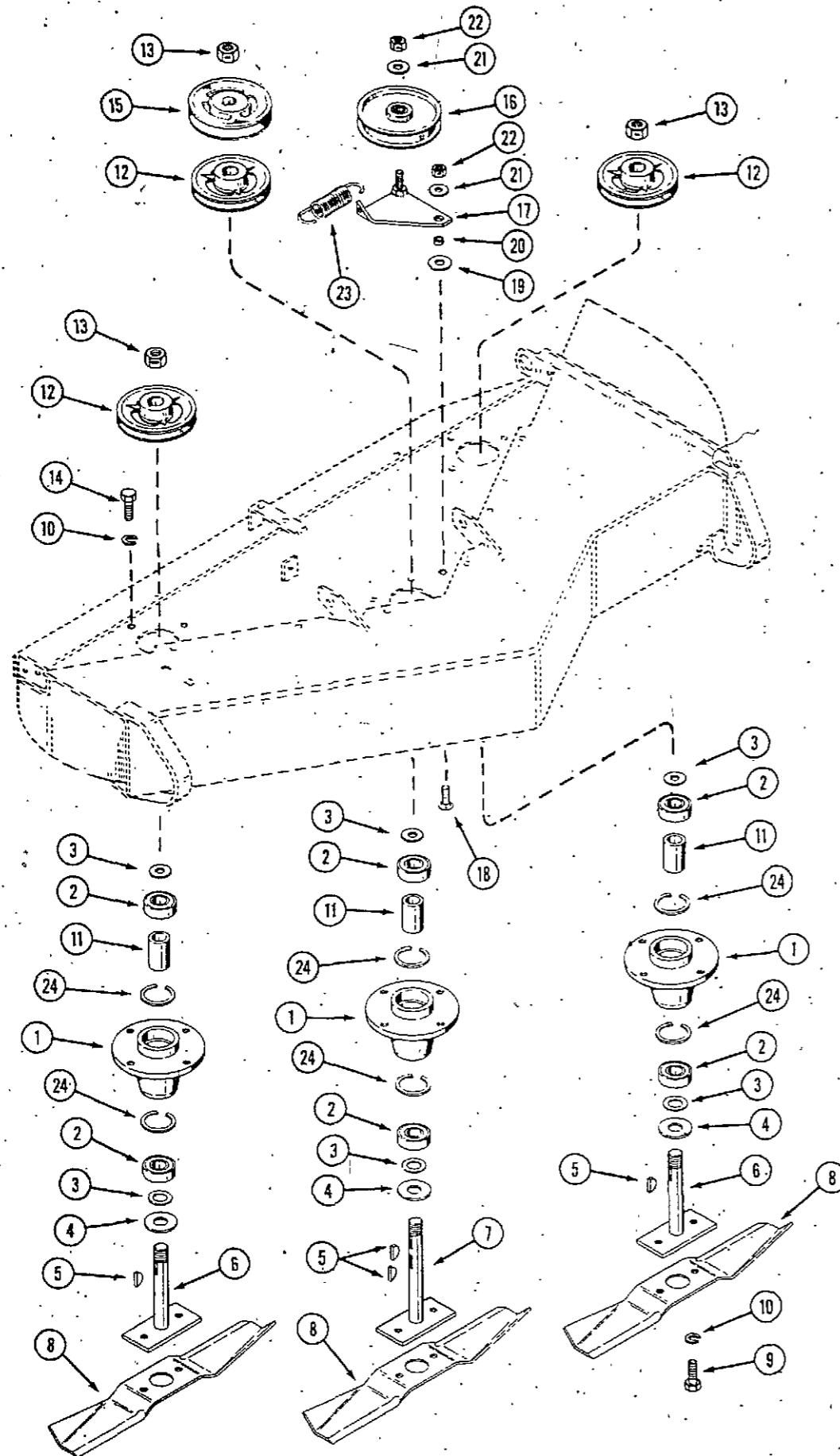
MODELS H40, H44, AND H46



| REF. PART NO. | DESCRIPTION | REQ'D |
|---------------|--|-------|
| 1 C 18925 | DECK - mower, H40 (38") | 1 |
| 1 C 18927 | DECK - mower, H44 (44") | 1 |
| 1 C 18932 | DECK - mower, H46 (48") | 1 |
| 2 C 23810 | BELT - mower deck, H40 | 1 |
| 2 C 22707 | BELT - mower deck, H44 | 1 |
| 2 C 22708 | BELT - mower deck, H46 | 1 |
| 3 C 15679 | GUARD - deck belt, H40 | 1 |
| 3 C 15680 | GUARD - deck belt, H44 | 1 |
| 3 C 15681 | GUARD - deck belt, H46 | 1 |
| 4 C 15675 | COVER - deck, small | 1 |
| 5 187- 1036 | SCREW - 1/4" x 1/2" NC hex self-tapping | 8 |
| 6 C 15640 | BAR - safety, H40 | 1 |
| 6 C 15639 | BAR - safety, H44 | 1 |
| 6 C 15634 | BAR - safety, H46 | 1 |
| 7 113- 102 | BOLT - 5/16" x 3/4" NC hex ZP | 2 |
| 8 192- 20 | LOCKWASHER - 5/16" ZP | 4 |
| 9 129- 102 | NUT - 5/16" NC hex ZP | 4 |
| 10 A 70514 | ROLLER - 2-1/2" x 2-3/8" | 2 |
| 11 195- 108 | WASHER - 5/8" ZP | 2 |
| 12 132- 310 | PIN - cotter 1/8" x 1" | 2 |
| 13 C 14892 | SHAFT - rear roller | 2 |
| 14 111- 317 | BOLT - 3/8" x 1" NC rd. hd. square neck | 2 |
| 15 192- 21 | LOCKWASHER - 3/8" ZP | 2 |
| 16 129- 103 | NUT - 3/8" NC hex ZP | 2 |
| 17 C 15562 | BRACKET - axle pivot, H40 | 1 |
| 17 C 15560 | BRACKET - axle pivot, H44 | 1 |
| 17 C 15561 | BRACKET - axle pivot, H46 | 1 |
| 18 111- 202 | BOLT - 5/16" x 3/4" rd. hd. square neck | 2 |
| 19 C 15935 | BRACKET - height adj. | 1 |
| 20 C 23807 | BELT - drive (Use with 220 and 222 tractors) | 1 |
| 20 C 23809 | BELT - drive (Use with 442 and 444 tractors) | 1 |
| 321- 1571 | DECAL - "CASE" | 1 |
| 321- 4381 | DECAL - "DANGER" SPINNING BLADE | 2 |
| C 12519 | DECAL - "NO STEP" | 2 |
| C 15956 | DECAL - height adjust | 1 |
| C 19272 | DECAL - safety | 1 |

PULLEYS, BLADES, AND SPINDLES

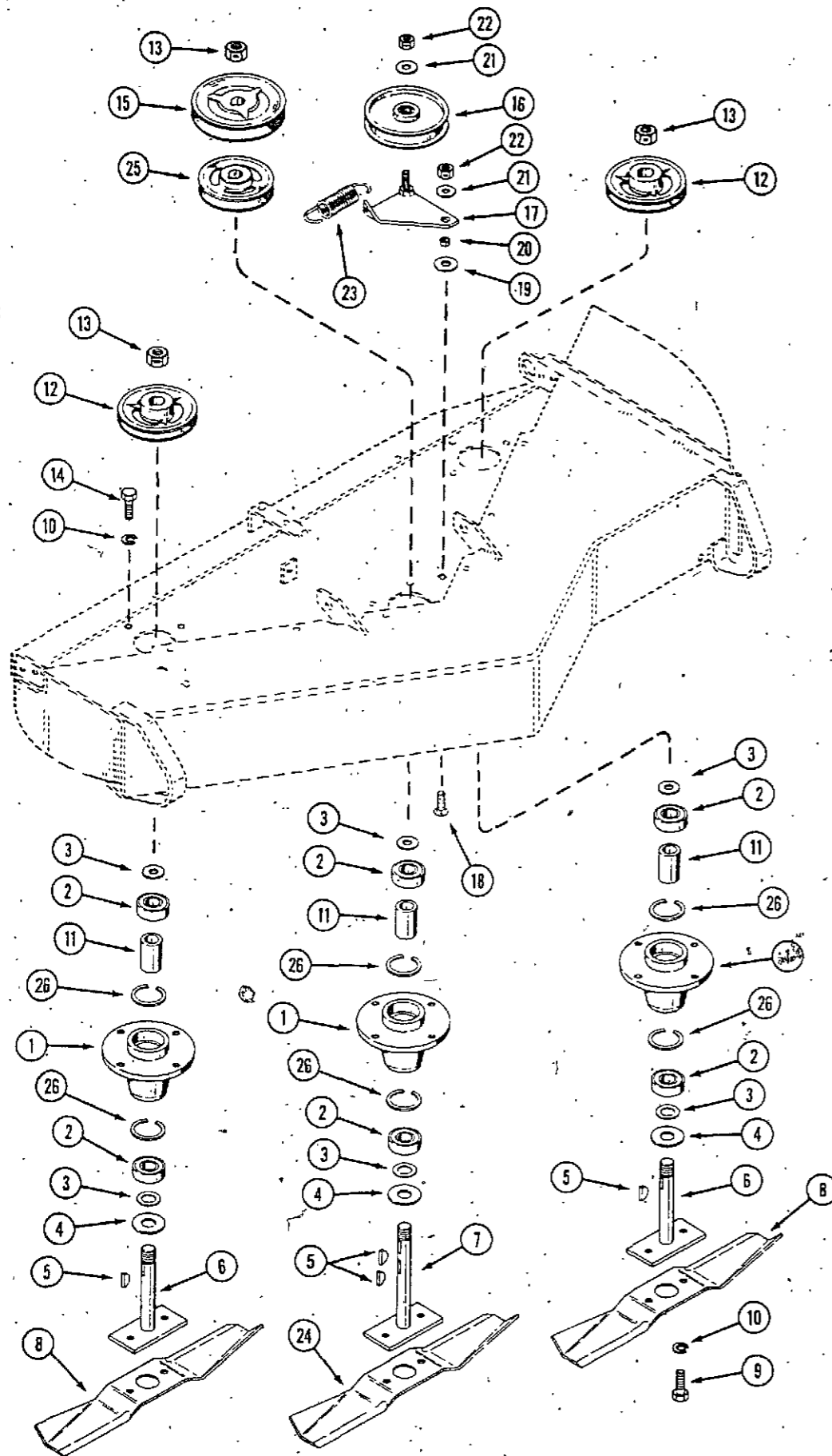
MODELS H40 AND H44



| REF. PART NO. | DESCRIPTION | REQ'D |
|---------------|--------------------------------------|-------|
| 1 C 17666 | HOUSING - mower spindle | 3 |
| 2 A 70280 | BEARING - spindle | 6 |
| 3 C 10822 | WASHER - bearing seal | 6 |
| 4 C 10942 | WASHER - mower spindle | 3 |
| 5 126- 19 | KEY - spindle, #11 Woodruff | 4 |
| 6 C 15763 | SPINDLE - outboard | 2 |
| 7 C 15604 | SPINDLE - center | 1 |
| 8 C 24441 | BLADE - 14" (H40) | 3 |
| 8 C 24442 | BLADE - 15-1/2" (H44) | 3 |
| 9 113- 205 | BOLT - 3/8" x 5/8" NC hex (grade 5) | 6 |
| 10 192- 21 | LOCKWASHER - 3/8" | 18 |
| 11 C 10810 | SPACER - bearing | 3 |
| 12 C 21581 | PULLEY - outboard | 3 |
| 13 131- 1127 | NUT - jam lock 3/4" NF hex | 3 |
| 14 113- 206 | BOLT - 3/8" x 3/4" NC hex | 12 |
| 15 C 15963 | PULLEY - drive | 1 |
| 16 C 12251 | PULLEY - deck idler | 1 |
| 17 C 14731 | BRACKET - idler | 1 |
| 18 111- 362 | BOLT - 3/8" x 1" rd. hd. square neck | 1 |
| 19 195- 530 | WASHER - 1/2" ZP | 1 |
| 20 C 14768 | SPACER - idler bracket | 1 |
| 21 195- 525 | WASHER - 3/8" ZP | 2 |
| 22 131- 178 | NUT - lock 3/8" NC hex | 2 |
| 23 C 14482 | SPRING - idler | 1 |
| 24 A 63279 | RING - retainer | 6 |

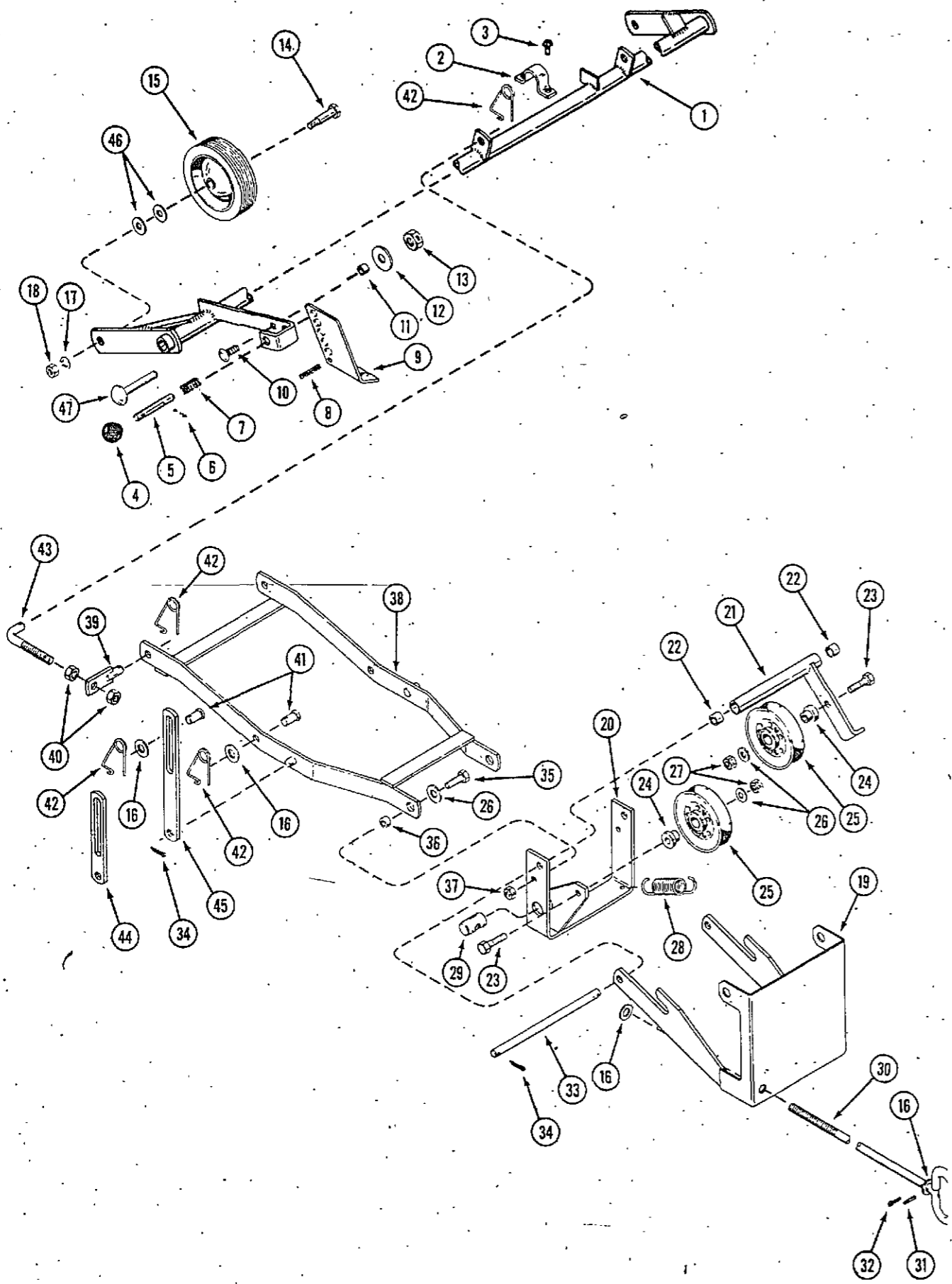
PULLEYS, BLADES, AND SPINDLES

MODEL H46



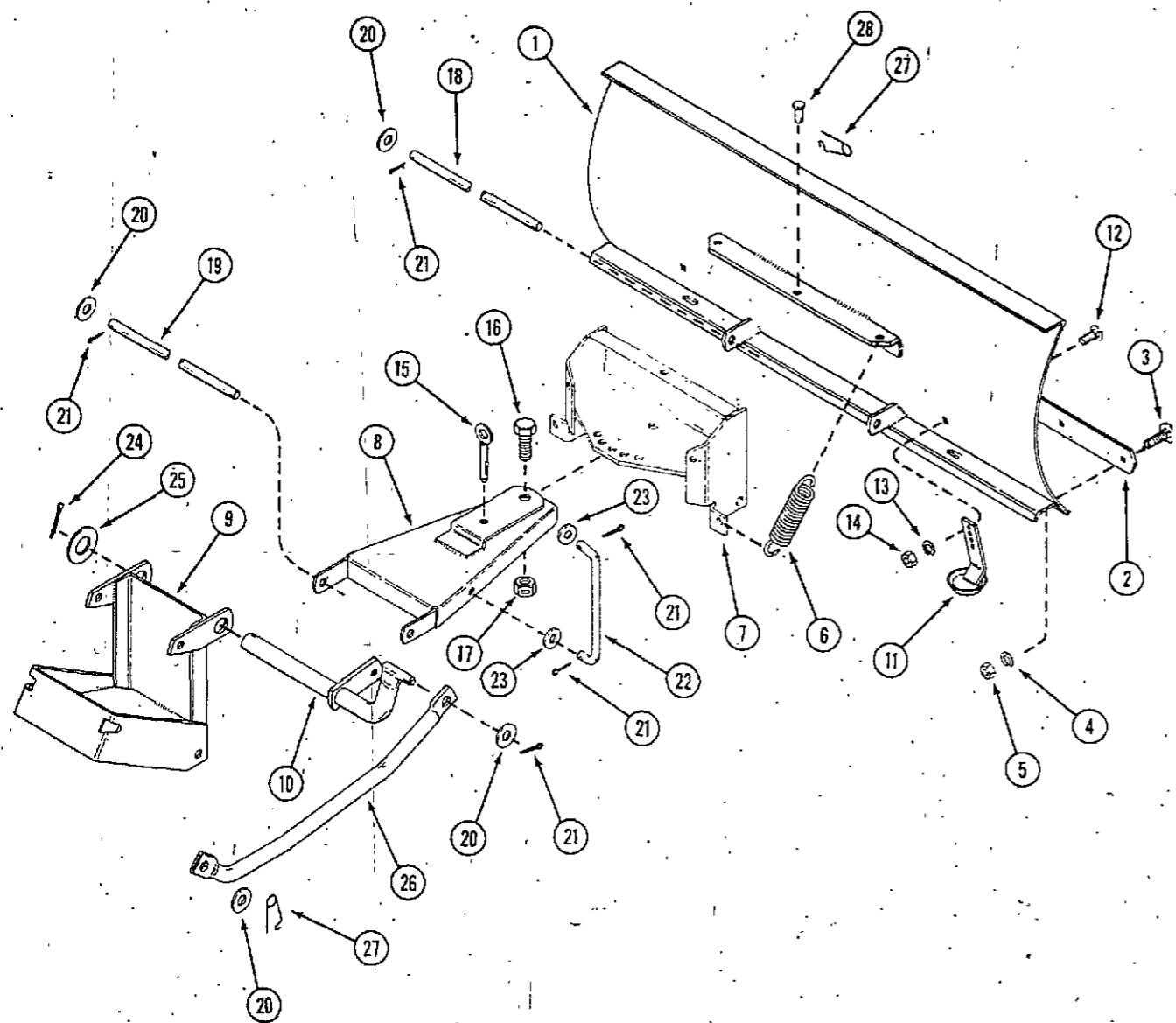
| REF. PART NO. | DESCRIPTION | REQ'D |
|---------------|--------------------------------------|-------|
| 1 C 17666 | HOUSING - mower spindle | 3 |
| 2 A 70280 | BEARING - spindle | 6 |
| 3 C 10822 | WASHER - bearing seal | 6 |
| 4 C 10942 | WASHER - mower spindle | 3 |
| 5 126- 19 | KEY - spindle, #11 Woodruff | 4 |
| 6 C 15763 | SPINDLE - outboard | 2 |
| 7 C 15604 | SPINDLE - center | 1 |
| 8 C 14886 | BLADE - 17" outboard | 2 |
| 9 113- 205 | BOLT - 3/8" x 5/8" NC hex (grade 5) | 6 |
| 10 192- 21 | LOCKWASHER - 3/8" | 18 |
| 11 C 10810 | SPACER - bearing | 3 |
| 12 C 21581 | PULLEY - outboard | 2 |
| 13 131- 1127 | NUT - jam lock 3/4" NF hex | 3 |
| 14 113- 206 | BOLT - 3/8" x 3/4" NC hex | 12 |
| 15 C 15615 | PULLEY - drive | 1 |
| 16 C 12251 | PULLEY - deck idler | 1 |
| 17 C 14731 | BRACKET - idler | 1 |
| 18 111- 362 | BOLT - 3/8" x 1" rd. hd. square neck | 1 |
| 19 195- 530 | WASHER - 1/2" ZP | 1 |
| 20 C 14768 | SPACER - idler bracket | 1 |
| 21 195- 525 | WASHER - 3/8" ZP | 2 |
| 22 131- 178 | NUT - lock 3/8" NC hex | 2 |
| 23 C 14482 | SPRING - idler | 1 |
| 24 C 24443 | BLADE - 16" center | 1 |
| 25 C 15616 | PULLEY - center | 1 |
| 26 A 63279 | RING - retainer | 6 |

AXLE, IDLER AND MOUNTING ASSEMBLIES



| REF. PART NO. | DESCRIPTION | REQ'D |
|---------------|--|-------|
| 1 C 24707 | AXLE - rear (H40) | 1 |
| 1 C 24708 | AXLE - rear (H44) | 1 |
| 1 C 24709 | AXLE - rear (H46) | 1 |
| 2 C 14932 | BRACKET - axle mounting (H40 and H44) | 1 |
| 2 C 14932 | BRACKET - axle mounting (H46) | 2 |
| 3 187- 1036 | SCREW - 1/4" x 1/2" NC hex self-tapping (4 req'd. for H46) | 2 |
| 4 NSS | KNOB - height adjust (order C20005) | 1 |
| 5 NSS | PIN - locking (order C20005) | 1 |
| 6 138- 77 | PIN - roll | 1 |
| 7 C 10482 | SPRING | 1 |
| 8 138- 92 | PIN - roll 3/16" x 3/4" | 1 |
| 9 C 15935 | BRACKET - height adjust | 1 |
| 10 111- 203 | BOLT - 5/16" x 1" NC rd. hd. square neck | 1 |
| 11 C 14768 | SPACER - height adjust | 1 |
| 12 195- 2021 | WASHER - 21/64" x 1-1/4" | 1 |
| 13 131- 176 | NUT - lock 5/16" NC hex | 1 |
| 14 C 16745 | STUD - gauge wheel (H40 and H44) | 2 |
| 14 C 14966 | STUD - gauge wheel (H46) | 2 |
| 15 C 19555 | WHEEL - gauge (H40 and H44) | 2 |
| 15 C 19556 | WHEEL - gauge (H46) | 2 |
| 16 195- 533 | WASHER - 1/2" | 4 |
| 17 192- 21 | LOCKWASHER - 3/8" | 2 |
| 18 129- 103 | NUT - 3/8" NC hex | 2 |
| 19 C 17648 | BRACKET - front mounting | 1 |
| 20 C 16569 | BRACKET - idler | 1 |
| 21 C 16575 | BRACKET - idler arm | 1 |
| 22 C 17597 | BUSHING - idler arm | 2 |
| 23 113- 209 | BOLT - 3/8" x 1-1/2" NC hex | 2 |
| 24 C 12264 | BUSHING - idler pulley | 2 |
| 25 C 10463 | PULLEY - idler | 2 |
| 26 195- 525 | WASHER - 3/8" | 4 |
| 27 131- 178 | NUT - lock 3/8" NC hex | 2 |
| 28 C 14482 | SPRING - idler | 1 |
| 29 C 14269 | NUT - belt tension | 1 |
| 30 C 16562 | SCREW - idler adjust | 1 |
| 31 138- 319 | PIN - roll 3/16" x 1-1/4" | 1 |
| 32 132- 311 | PIN - cotter | 1 |
| 33 C 16574 | ROD - pivot | 1 |
| 34 132- 310 | PIN - cotter | 4 |
| 35 113- 208 | BOLT - 3/8" x 1-1/4" NC hex | 2 |
| 36 C 16573 | SPACER | 2 |
| 37 131- 1114 | NUT - lock 3/8" NC hex jam | 2 |
| 38 C 16824 | FRAME - rear mounting | 1 |
| 39 C 17048 | PIN | 2 |
| 40 131- 165 | NUT - 1/2" NC hex | 4 |
| 41 C 10821 | PIN - clevis 1/2" x 7/8" | 4 |
| 42 C 10898 | PIN - safety | 8 |
| 43 C 17686 | BOLT - "J" | 2 |
| 44 C 18315 | LINK - lift, short (used with Models 210, 220, 224, 644 and 646) | 2 |
| 45 C 18338 | LINK - lift, long (used with Models 442, 444 and 446) | 2 |
| 46 195- 533 | WASHER - 1/2" (H46 only) | 4 |
| 47 C 20005 | PIN - height adjust | 1 |

MODEL H50 AND H54 DOZER BLADE

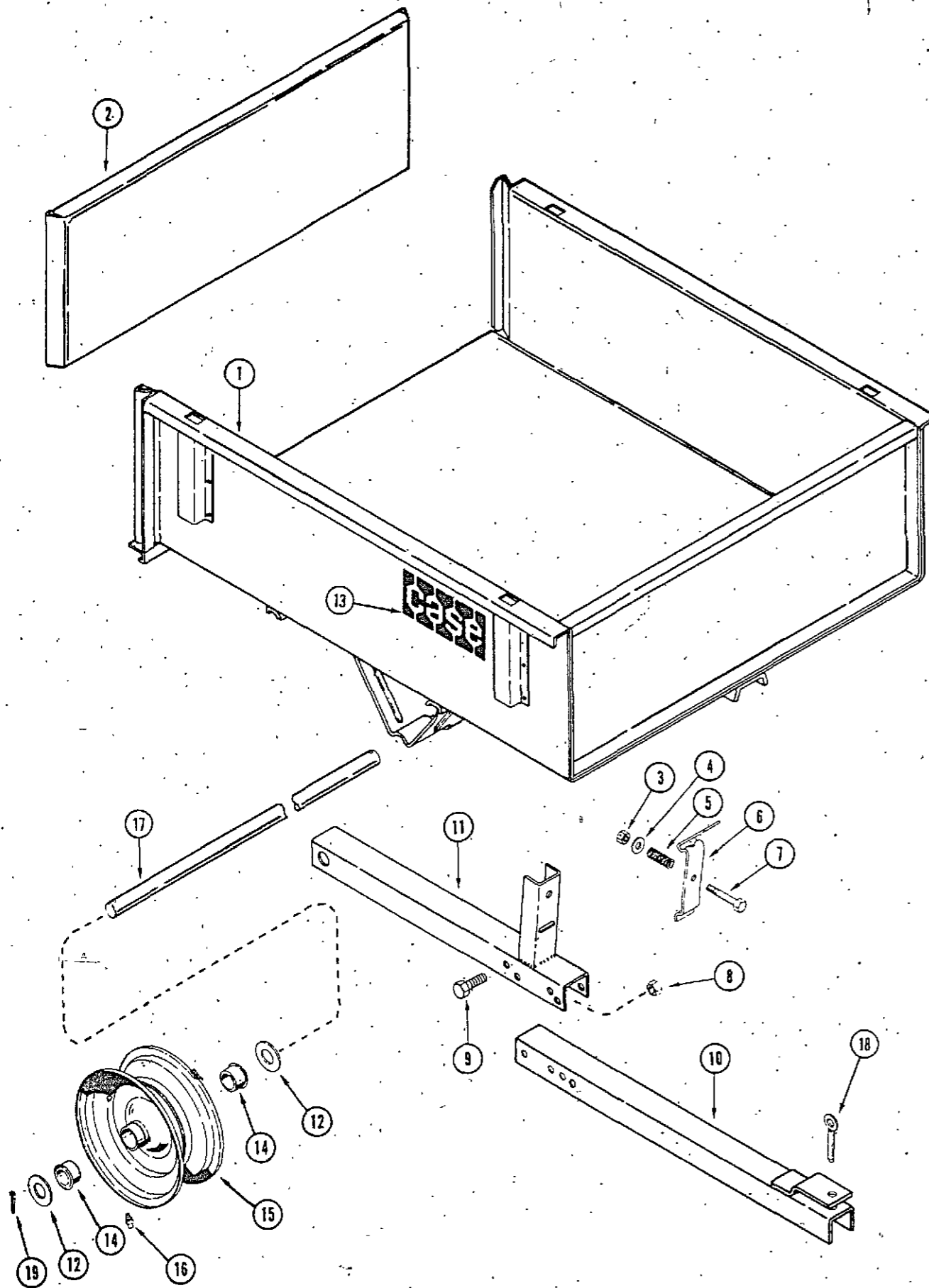


| REF. PART NO. | DESCRIPTION | REQ'D |
|---------------|--|-------|
| 1 C 16524 | BLADE - (H50) (44") | 1 |
| 1 C 16525 | BLADE - H54 (54") | 1 |
| 2 C 10871 | EDGE - H50 (44") | 1 |
| 2 C 14440 | EDGE - H54 (54") | 1 |
| 3 111- 203 | BOLT - 5/16" x 1" NC rd. hd. square neck (H50) | 8 |
| 3 111- 203 | BOLT - 5/16" x 1" NC rd. hd. square neck (H54) | 9 |
| 4 192- 20 | LOCKWASHER - 5/16" (H50) | 8 |
| 4 192- 20 | LOCKWASHER - 5/16" (H54) | 9 |
| 5 129- 102 | NUT - 5/16" NC hex (H50) | 8 |
| 5 129- 102 | NUT - 5/16" NC hex (H54) | 9 |
| 6 C 16805 | SPRING - blade | 2 |
| 7 C 22741 | BRACKET - pivot | 1 |
| 8 C 16515 | BRACKET - center push | 1 |
| 9 C 16503 | BRACKET - rear support | 1 |
| 10 C 17890 | ARM - lift | 1 |
| 11 C 16664 | SKID | 2 |
| 12 111- 362 | BOLT - 3/8" x 1" NC rd. hd. square neck | 2 |
| 13 192- 21 | LOCKWASHER - 3/8" | 2 |
| 14 129- 103 | NUT - 3/8" NC hex | 2 |
| 15 C 10888 | PIN - lock | 1 |
| 16 113- 713 | BOLT - 3/4" x 1-3/4" NC hex | 1 |
| 17 131- 1112 | NUT - lock 3/4" NC hex | 1 |
| 18 C 16529 | ROD - front pivot | 1 |
| 19 C 16530 | ROD - rear pivot | 1 |
| 20 195- 541 | WASHER - 5/8" | 6 |
| 21 132- 310 | PIN - cotter 1/8" x 1" | 7 |
| 22 C 16531 | LINK - lift | 1 |
| 23 195- 533 | WASHER - 1/2" | 2 |
| 24 132- 77 | PIN - cotter 5/32" x 2" | 1 |
| 25 195- 2135 | WASHER - 1-5/16" | 1 |
| 26 C 22024 | ROD - lift | 1 |
| 27 C 10898 | PIN - safety | 2 |
| 28 141- 56 | PIN - clevis 1/2" x 1-3/8" | 1 |
| 321- 1571 | DECAL - "CASE" | 1 |
| C 17201 | DECAL - safety | 1 |

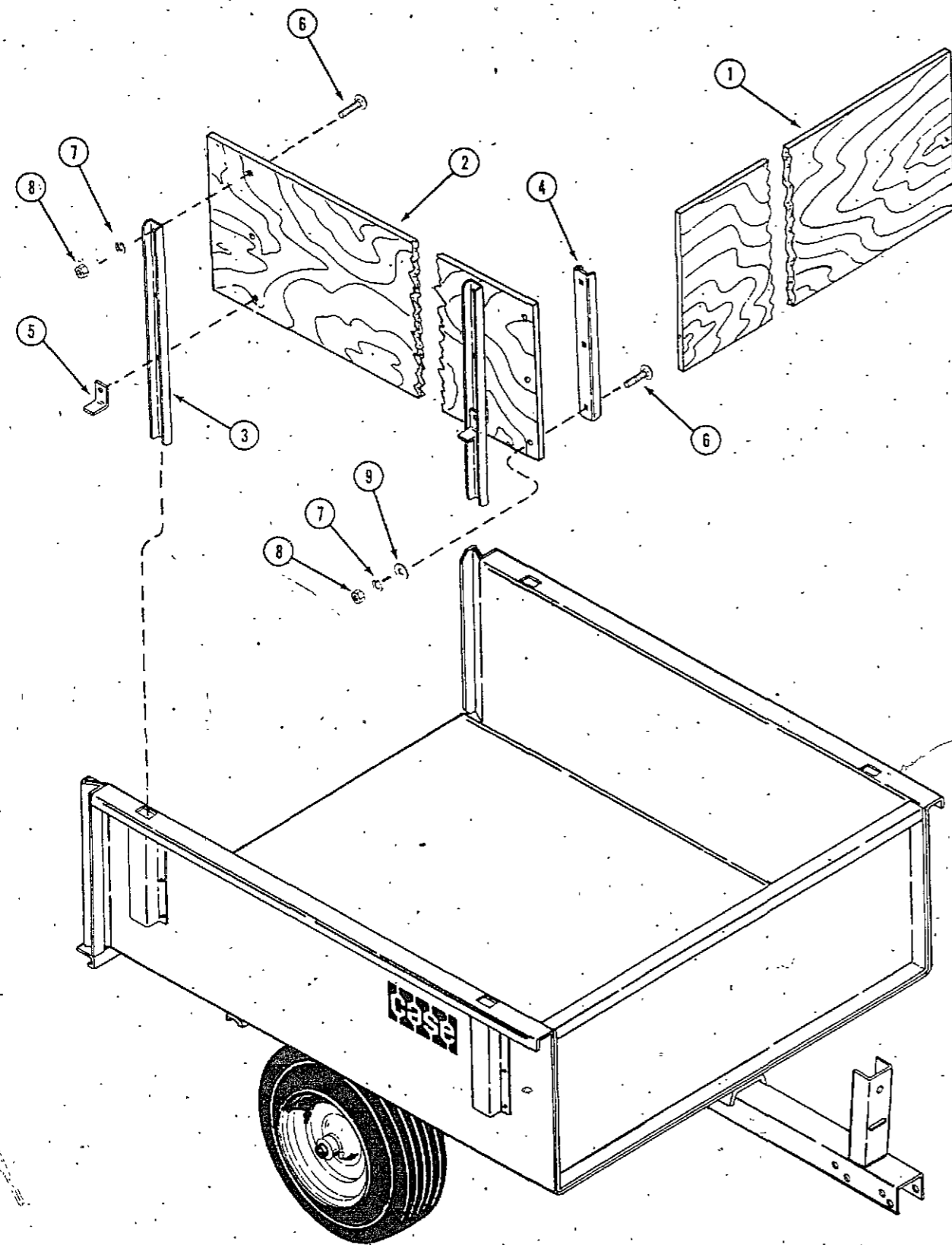
MODEL E60 DUMP CART

220, 222, 442 AND 444 COMPACT TRACTORS

| REF. PART NO. | DESCRIPTION | REQ'D |
|---------------|---|-------|
| 1 NSS | BODY | 1 |
| 2 C 13547 | TAILGATE | 1 |
| 3 131- 176 | NUT - lock 5/16" NC hex ZP | 1 |
| 4 195- 2027 | WASHER - 11/32" ID ZP | 1 |
| 5 C 11942 | SPRING - release | 1 |
| 6 C 13859 | LEVER - release | 1 |
| 7 113- 111 | BOLT - 5/16" x 2-1/2" NC hex ZP | 1 |
| 8 131- 1181 | NUT - lock 3/8" NC hex ZP | 4 |
| 9 113- 206 | BOLT - 3/8" x 3/4" NC hex ZP | 4 |
| 10 C 14072 | TONGUE - front | 1 |
| 11 C 14073 | TONGUE - rear | 1 |
| 12 195- 533 | WASHER - plain 1" | 4 |
| 13 321- 1571 | DECAL | 2 |
| 14 C 14221 | BUSHING - flanged | 2 |
| 15 C 24964 | WHEEL - centered hub (used with C13920 axle)(includes bearings) | 2 |
| 16 219- 1 | FITTING - lube | 2 |
| 17 C 13920 | SHAFT - axle 33-3/4" (Used with A70066 wheel) | 1 |
| 18 C 10888 | PIN - hitch | 1 |
| 19 132- 306 | PIN - cotter 3/16" x 1-3/4" ZP | 2 |

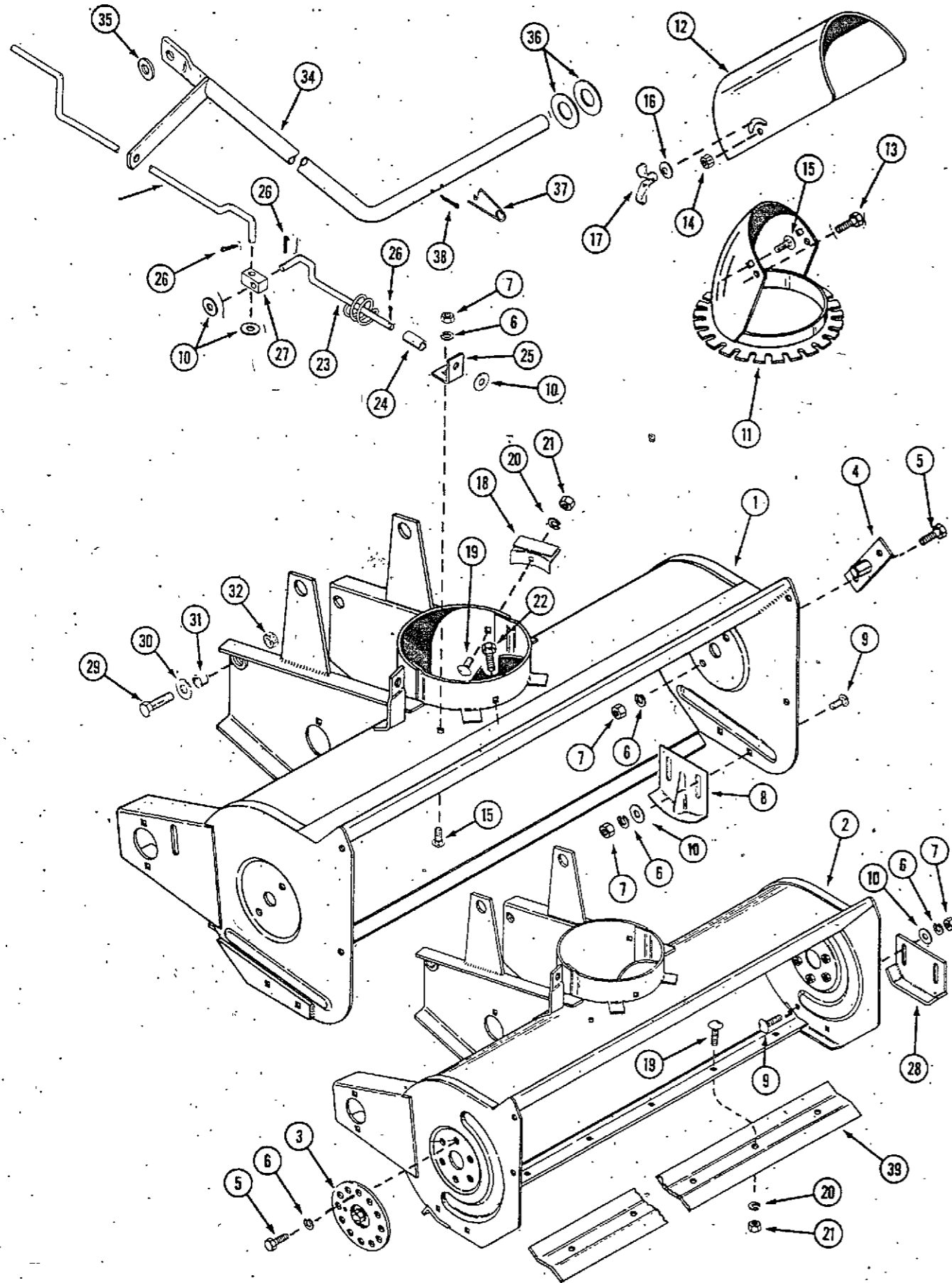


MODEL E65 DUMP CART EXTENSIONS



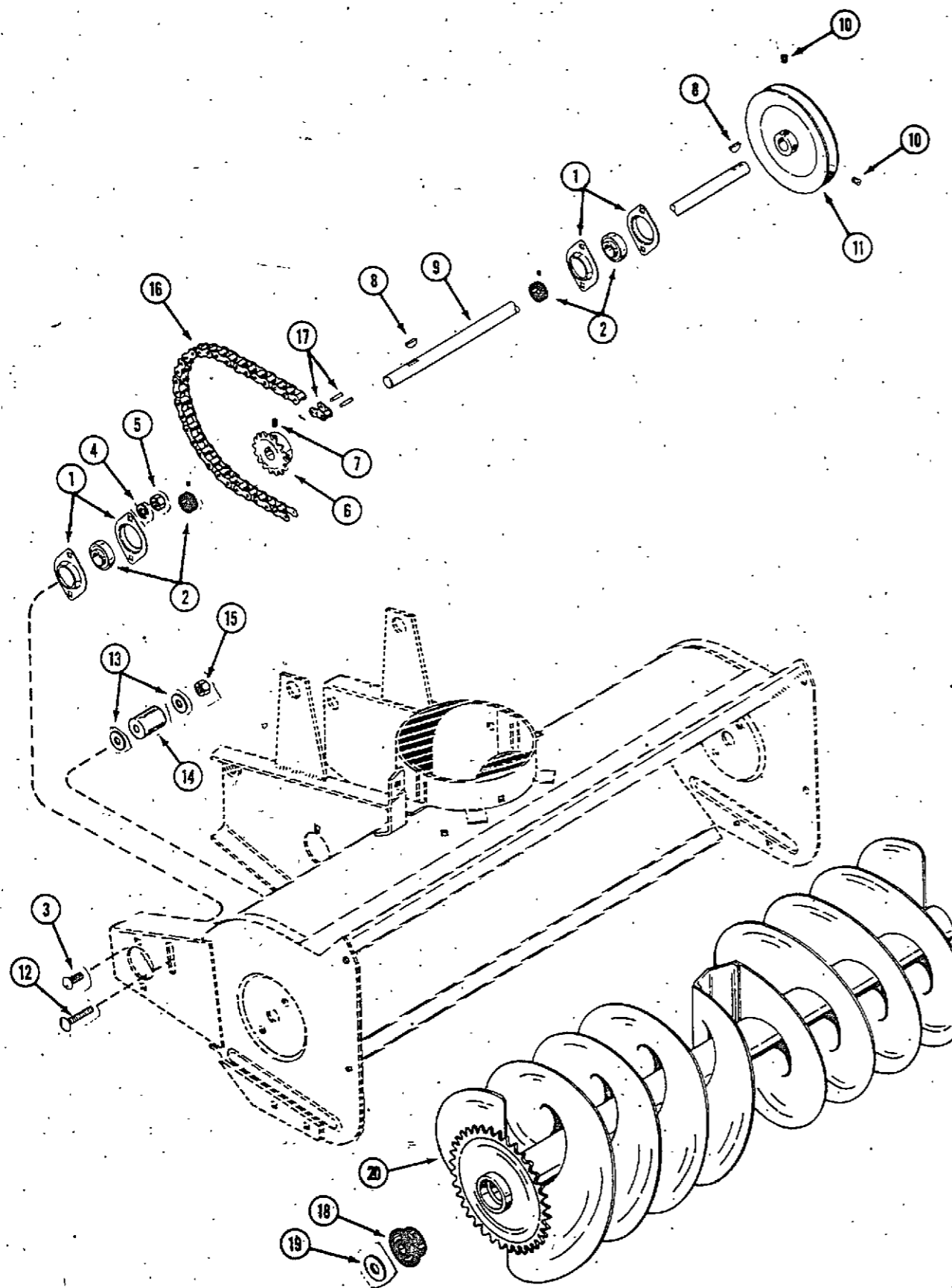
| REF. PART NO. | DESCRIPTION | REQ'D |
|---------------|---|-------|
| 1 C 17276 | BOARD - front | 1 |
| 2 C 17277 | BOARD - side | 2 |
| 3 C 17279 | BRACKET - support side | 4 |
| 4 C 17280 | BRACKET - support front | 2 |
| 5 C 17278 | BRACKET - stop | 4 |
| 6 111- 111 | BOLT - 1/4" x 1" NC rd. hd. square neck | 18 |
| 7 192- 19 | LOCKWASHER - 1/4" | 18 |
| 8 129- 101 | NUT - 1/4" NC hex | 18 |
| 9 195- 518 | WASHER - 1/4" | 6 |

AUGER, CHUTE CONTROL AND LIFT ASSEMBLY



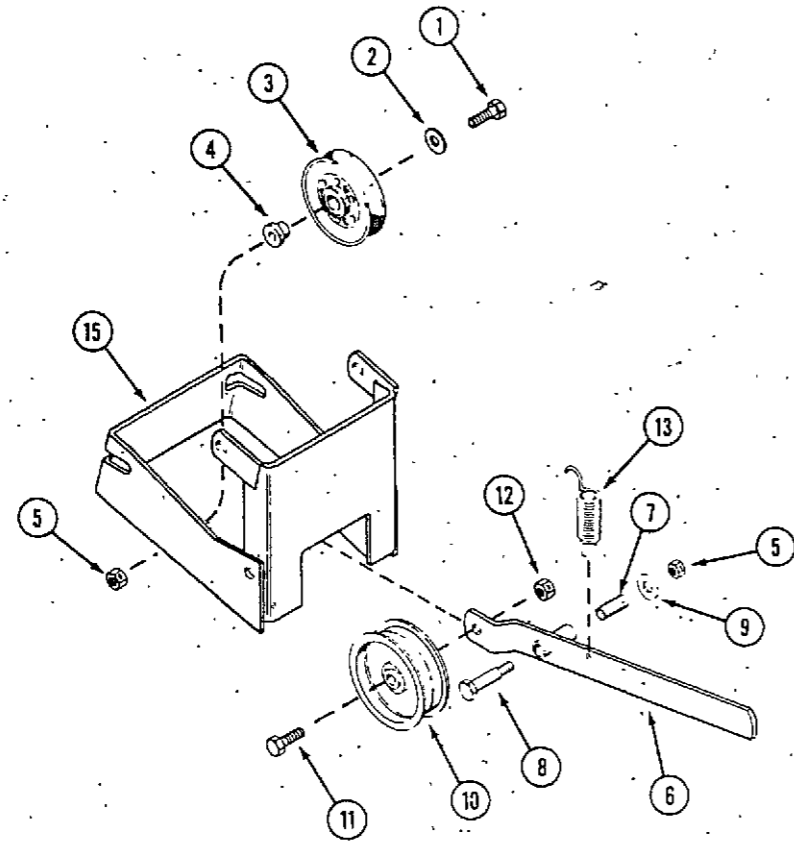
| REF. PART NO. | DESCRIPTION | REQ'D |
|---------------|--|-------|
| 1 C 16159 | HOUSING - auger 38" (used prior to S/N F20182) | 1 |
| 1 C 16311 | HOUSING - auger 48" (used prior to S/N G20205) | 1 |
| 2 C 19820 | HOUSING - auger 38" (used S/N F20182 and above) | 1 |
| 2 C 19718 | HOUSING - auger 48" (used S/N G20205 and above) | 1 |
| 3 C 19734 | HUB - auger mounting (used S/N F20182 & G20205 and above) | 2 |
| 4 C 15186 | SHAFT - auger mounting (used with C16159 & C16311 housing) | 2 |
| 5 113- 206 | BOLT - 3/8 x 3/4" NC hex | 4 |
| 6 192- 21 | LOCKWASHER - 3/8" ZP | 9 |
| 7 129- 103 | NUT - 3/8" NC hex ZP | 9 |
| 8 C 15190 | SKID - shoe (used with C16159 & C16311 housing) | 2 |
| 9 111- 342 | BOLT - 3/8 x 1" NC round head, long square neck | 4 |
| 10 195- 525 | WASHER - 3/8" ZP | 7 |
| 11 C 15248 | SHROUD | 1 |
| 12 C 16940 | DEFLECTOR | 1 |
| 13 113- 1 | BOLT - 1/4 x 1/2" NC hex ZP | 2 |
| 14 131- 1102 | NUT - lock 1/4" NC hex ZP | 2 |
| 15 111- 340 | BOLT - 3/8 x 3/4" NC round head, short square neck | 3 |
| 16 D 33544 | WASHER - dished 25/64 x 1" O.D. | 2 |
| 17 C 22774 | WINGNUT - deflector locking | 2 |
| 18 C 15334 | BRACKET - chute holddown | 3 |
| 19 111- 202 | BOLT - 5/16 x 3/4" NC round head, square neck (H80) | 9 |
| 19 111- 202 | BOLT - 5/16 x 3/4" NC round head, square neck (H84) | 11 |
| 20 192- 20 | LOCKWASHER - 5/16" ZP (H80) | 9 |
| 20 192- 20 | LOCKWASHER - 5/16" ZP (H84) | 11 |
| 21 129- 102 | NUT - 5/16" NC hex ZP (H80) | 9 |
| 21 129- 102 | NUT - 5/16" NC hex ZP (H84) | 11 |
| 22 113- 102 | BOLT - 5/16 x 3/4" NC hex ZP (used with C16159 & C16311 housing) | 1 |
| 23 C 15244 | ROD - chute control | 1 |
| 24 C 15277 | SPACER | 1 |
| 25 C 15240 | BRACKET - control rod | 1 |
| 26 132- 320 | PIN - cotter 3/32 x 3/4" | 3 |
| 27 C 14583 | JOINT - block | 1 |
| 28 C 17775 | SKID - shoe (used with C17899 & 17900 housing) | 2 |
| 29 113- 412 | BOLT - 1/2 x 1-3/4" NC hex | 2 |
| 30 195- 534 | WASHER - 1/2" | 2 |
| 31 C 18770 | BUSHING | 2 |
| 32 131- 165 | NUT - lock 1/2" NC hex | 2 |
| 33 C 14584 | CRANK - chute | 1 |
| 34 C 16309 | ARM - lift | 1 |
| 35 195- 541 | WASHER - 21/32 x 1-5/16" ZP | 1 |
| 36 195- 2134 | WASHER - 1-3/16 x 2-1/4" ZP | 2 |
| 37 C 10898 | PIN - safety | 1 |
| 38 132- 34 | PIN - cotter | 1 |
| 39 C 17776 | BLADE - snowblower (H84) | 1 |
| 39 C 17878 | BLADE - snowblower (H80) | 1 |

DRIVE ASSEMBLY

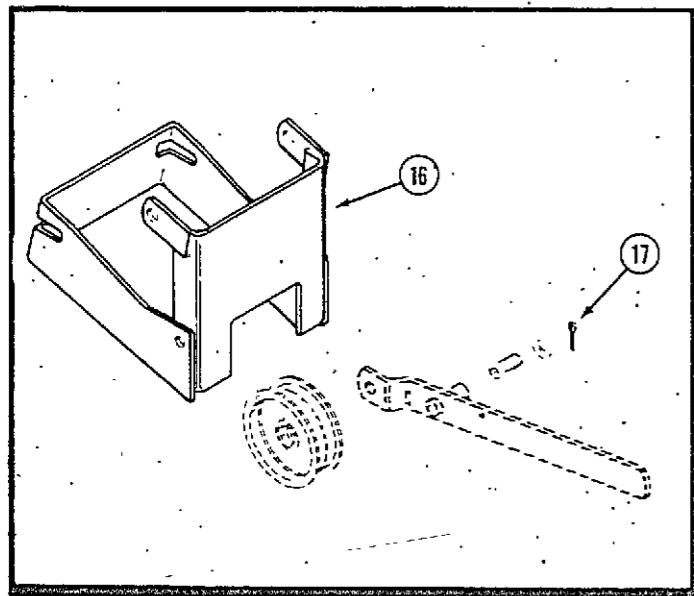


| REF. PART NO. | DESCRIPTION | REQ'D |
|---------------|--|-------|
| 1 C 15514 | FLANGETTE | 4 |
| 2 C 14419 | BEARING - includes collar and setscrew | 2 |
| 3 111- 202 | BOLT - 5/16 x 3/4" NC round head, square neck, ZP | 4 |
| 4 192- 20 | LOCKWASHER - 5/16" ZP | 4 |
| 5 129- 102 | NUT - 5/16" NC hex ZP | 4 |
| 6 C 14579 | SPROCKET - drive 16 tooth | 1 |
| 7 178- 858 | SETSCREW - 5/16 x 3/8" | 2 |
| 8 126- 16 | KEY - Woodruff #9 | 2 |
| 9 C 17724 | SHAFT - drive (H84) | 1 |
| 9 C 17723 | SHAFT - drive (H80) | 1 |
| 10 178- 858 | SETSCREW - 5/16 x 3/8" | 2 |
| 11 C 16119 | PULLEY - drive shaft | 1 |
| 12 111- 349 | BOLT - 3/8 x 2-1/2" NC round head, square neck | 1 |
| 13 195- 2029 | WASHER - 7/16 x 1-1/4" O.D. ZP | 2 |
| 14 C 16158 | BLOCK- chain tightener (used prior to S/N F20182 & G20205) | 1 |
| 15 131- 178 | NUT - lock 3/8" ZP | 1 |
| 16 | CHAIN - auger drive 74 pitches #40 roller chain, use: | |
| B 12470 | CHAIN - 50 links #40 | 1 |
| B 12471 | CHAIN - 20 links #40 | 1 |
| B 12501 | LINK - connecting #40 | 1 |
| B 12503 | LINK - roller #40 | 1 |
| B 12502 | LINK - offset #40 | 2 |
| 17 B 14421 | BEARING - auger | 2 |
| 18 C 14421 | BEARING - auger | 2 |
| 19 195- 545 | WASHER - spacer 13/16" | JAR |
| 20 C 16108 | AUGER - 38" (H80) | 1 |
| 20 C 16179 | AUGER - 48" (H84) | 1 |

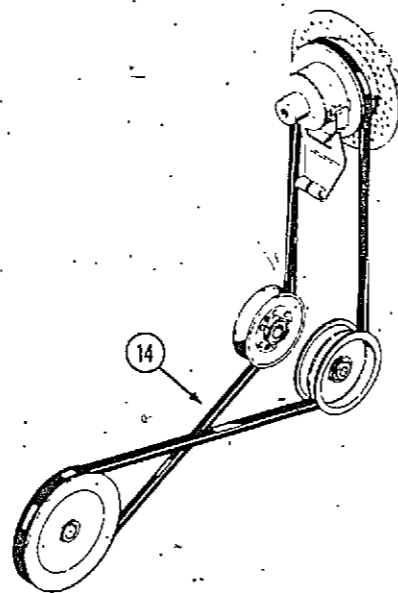
BELTS AND IDLER ASSEMBLY



| REF. PART NO. | DESCRIPTION | REQ'D |
|---------------|---|-------|
| 1 113- 206 | BOLT - 3/8 x 3/4" NC hex ZP | 1 |
| 2 193- 68 | WASHER - 3/8" internal tooth | 1 |
| 3 C 10463 | PULLEY - idler | 1 |
| 4 C 12264 | BUSHING - idler (used prior to S/N F20182 & G20205) | 1 |
| 5 131- 178 | NUT - lock 3/8" NC hex ZP | 2 |
| 6 C 16853 | ARM - idler | 1 |
| 7 C 16714 | BUSHING - idler arm | 1 |
| 8 C 16745 | BOLT - shoulder | 1 |
| 9 195- 533 | WASHER - 1/2" ZP | 1 |
| 10 F 51571 | PULLEY - backside idler | 1 |
| 11 113- 412 | BOLT - 1/2 x 1-3/4" NC hex ZP | 1 |
| 12 131- 165 | NUT - lock 1/2" NC hex ZP | 1 |
| 13 C 16870 | SPRING - idler | 1 |
| 14 C 23949 | BELT - use on H80 and H84 with models 220 and 222 | 1 |
| 14 C 23950 | BELT - use on H84 with models 442 and 444 | 1 |
| 15 NSS | FRAME - idler (used prior to S/N F20182 & G20205) order items 16 and 17) | 1 |
| 16 C 17713 | FRAME - idler | 1 |
| 17 132- 318 | PIN - cotter | 1 |
| 321- 1571 | DECAL - "CASE" | 1 |
| C 17462 | DECAL - belt installation | 1 |
| 321- 4199 | DECAL - "WARNING" | 1 |



USED ON H80 S/N F20182 AND AFTER
USED ON H84 S/N G20205 AND AFTER



BELT ILLUSTRATION AS VIEWED
FROM FRONT LEFT SIDE.

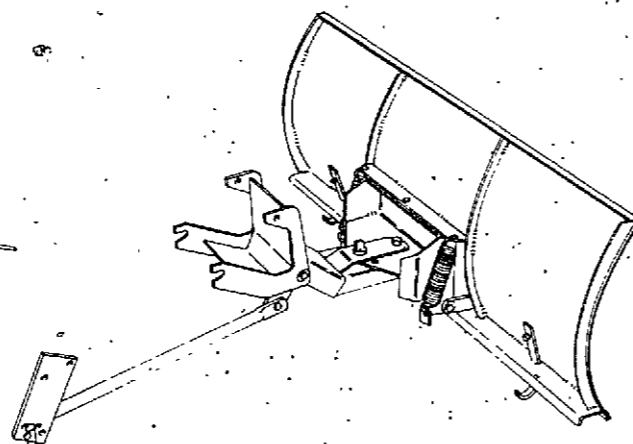
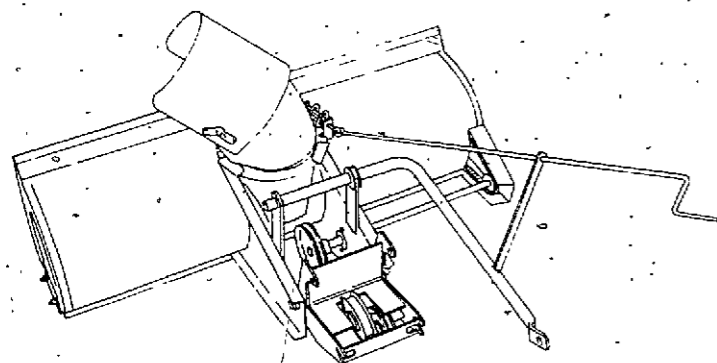
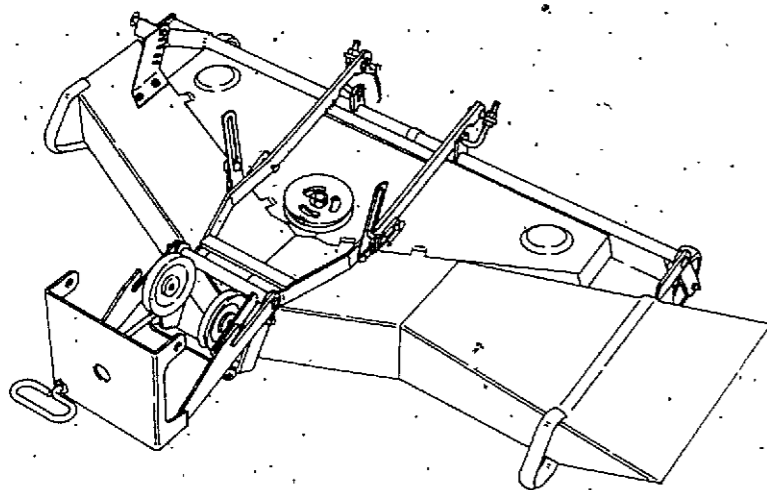
| PART NO. | PAGE NO. | REF. NO. | PART NO. | PAGE NO. | REF. NO. | PART NO. | PAGE NO. | REF. NO. | | | |
|----------|----------|----------|----------|----------|----------|----------|----------|----------|-------|----|----|
| A | 63279 | 7 | 24 | C | 15186 | 19 | 4 | C | 17276 | 17 | 1 |
| A | 63279 | 9 | 26 | C | 15190 | 19 | 8 | C | 17277 | 17 | 2 |
| A | 70280 | 7 | 2 | C | 15240 | 19 | 25 | C | 17278 | 17 | 5 |
| A | 70280 | 9 | 2 | C | 15244 | 19 | 23 | C | 17279 | 17 | 3 |
| A | 70514 | 5 | 10 | C | 15248 | 19 | 11 | C | 17280 | 17 | 4 |
| B | 12470 | 21 | | C | 15277 | 19 | 24 | C | 17462 | 23 | |
| B | 12471 | 21 | | C | 15334 | 19 | 18 | C | 17597 | 11 | 22 |
| B | 12501 | 21 | | C | 15514 | 21 | 1 | C | 17648 | 11 | 19 |
| B | 12502 | 21 | 17 | C | 15560 | 5 | 17 | C | 17666 | 7 | 1 |
| B | 12503 | 21 | | C | 15561 | 5 | 17 | C | 17666 | 9 | 1 |
| C | 10463 | 11 | 25 | C | 15562 | 5 | 17 | C | 17686 | 11 | 43 |
| C | 10463 | 23 | 3 | C | 15604 | 7 | 7 | C | 17713 | 23 | 16 |
| C | 10482 | 11 | 7 | C | 15604 | 9 | 7 | C | 17723 | 21 | 9 |
| C | 10810 | 7 | 11 | C | 15615 | 9 | 15 | C | 17724 | 21 | 9 |
| C | 10810 | 9 | 11 | C | 15616 | 9 | 25 | C | 17775 | 19 | 28 |
| C | 10821 | 11 | 41 | C | 15634 | 5 | 6 | C | 17776 | 19 | 39 |
| C | 10822 | 7 | 3 | C | 15639 | 5 | 6 | C | 17878 | 19 | 39 |
| C | 10822 | 9 | 3 | C | 15640 | 5 | 6 | C | 17890 | 13 | 10 |
| C | 10871 | 13 | 2 | C | 15675 | 5 | 4 | C | 18315 | 11 | 44 |
| C | 10888 | 13 | 15 | C | 15679 | 5 | 3 | C | 18338 | 11 | 45 |
| C | 10888 | 15 | 18 | C | 15680 | 5 | 3 | C | 18770 | 19 | 31 |
| C | 10898 | 11 | 42 | C | 15681 | 5 | 3 | C | 18925 | 5 | 1 |
| C | 10898 | 13 | 27 | C | 15763 | 7 | 6 | C | 18927 | 5 | 1 |
| C | 10898 | 19 | 37 | C | 15763 | 9 | 6 | C | 18932 | 5 | 1 |
| C | 10942 | 7 | 4 | C | 15935 | 5 | 19 | C | 19272 | 5 | |
| C | 10942 | 9 | 4 | C | 15935 | 11 | 9 | C | 19555 | 11 | 15 |
| C | 11942 | 15 | 5 | C | 15956 | 5 | | C | 19556 | 11 | 15 |
| C | 12251 | 7 | 16 | C | 15963 | 7 | 15 | C | 19718 | 19 | 2 |
| C | 12251 | 9 | 16 | C | 16108 | 21 | 20 | C | 19734 | 19 | 3 |
| C | 12264 | 11 | 24 | C | 16119 | 21 | 11 | C | 19820 | 19 | 2 |
| C | 12264 | 23 | 4 | C | 16158 | 21 | 14 | C | 20005 | 11 | 47 |
| C | 12519 | 5 | | C | 16159 | 19 | 1 | C | 21581 | 7 | 12 |
| C | 13547 | 15 | 2 | C | 16179 | 21 | 20 | C | 21581 | 9 | 12 |
| C | 13859 | 15 | 6 | C | 16309 | 19 | 34 | C | 22024 | 13 | 26 |
| C | 13920 | 15 | 17 | C | 16311 | 19 | 1 | C | 22707 | 5 | 2 |
| C | 14072 | 15 | 10 | C | 16503 | 13 | 9 | C | 22708 | 5 | 2 |
| C | 14073 | 15 | 11 | C | 16515 | 13 | 8 | C | 22741 | 13 | 7 |
| C | 14221 | 15 | 14 | C | 16524 | 13 | 1 | C | 22774 | 19 | 17 |
| C | 14269 | 11 | 29 | C | 16525 | 13 | 1 | C | 23807 | 5 | 20 |
| C | 14419 | 21 | 2 | C | 16529 | 13 | 18 | C | 23809 | 5 | 20 |
| C | 14421 | 21 | 18 | C | 16530 | 13 | 19 | C | 23810 | 5 | 2 |
| C | 14440 | 13 | 2 | C | 16531 | 13 | 22 | C | 23949 | 23 | 14 |
| C | 14482 | 7 | 23 | C | 16562 | 11 | 30 | C | 23950 | 23 | 14 |
| C | 14482 | 9 | 23 | C | 16569 | 11 | 20 | C | 24441 | 7 | 8 |
| C | 14482 | 11 | 28 | C | 16573 | 11 | 36 | C | 24442 | 7 | 8 |
| C | 14579 | 21 | 6 | C | 16574 | 11 | 33 | C | 24443 | 9 | 24 |
| C | 14583 | 19 | 27 | C | 16575 | 11 | 21 | C | 24707 | 11 | 1 |
| C | 14584 | 19 | 33 | C | 16664 | 13 | 11 | C | 24708 | 11 | 1 |
| C | 14731 | 7 | 17 | C | 16714 | 23 | 7 | C | 24709 | 11 | 1 |
| C | 14731 | 9 | 17 | C | 16745 | 11 | 14 | C | 24964 | 15 | 15 |
| C | 14768 | 7 | 20 | C | 16745 | 23 | 8 | D | 33544 | 19 | 16 |
| C | 14768 | 9 | 20 | C | 16805 | 13 | 6 | F | 51571 | 23 | 10 |
| C | 14768 | 11 | 11 | C | 16824 | 11 | 38 | | | | |
| C | 14886 | 9 | 8 | C | 16853 | 23 | 6 | | | | |
| C | 14892 | 5 | 13 | C | 16870 | 23 | 13 | | | | |
| C | 14932 | 11 | 2 | C | 16940 | 19 | 12 | | | | |
| C | 14932 | 11 | 2 | C | 17048 | 11 | 39 | | | | |
| C | 14966 | 11 | 14 | C | 17201 | 13 | | | | | |

| PART NO. | PAGE NO. | REF. NO. | PART NO. | PAGE NO. | REF. NO. | PART NO. | PAGE NO. | REF. NO. | | |
|-----------------------|----------|----------|----------|----------|----------|----------|----------|----------|------|----|
| HARDWARE CODE NUMBERS | | | | | | | | | | |
| 11- | 111 | 17 | 6 | 131- | 1127 | 7 | 13 | 321- | 1571 | 13 |
| 11- | 202 | 5 | 18 | 131- | 1127 | 9 | 13 | 321- | 1571 | 15 |
| 11- | 202 | 19 | 19 | 131- | 1181 | 15 | 8 | 321- | 1571 | 23 |
| 11- | 202 | 19 | 19 | 132- | 34 | 19 | 38 | 321- | 4199 | 23 |
| 11- | 202 | 21 | 3 | 132- | 77 | 13 | 24 | 321- | 4381 | 5 |
| 11- | 203 | 11 | 10 | 132- | 306 | 15 | 19 | | | |
| 11- | 203 | 13 | 3 | 132- | 310 | 5 | 12 | | | |
| 11- | 203 | 13 | 3 | 132- | 310 | 11 | 34 | | | |
| 11- | 317 | 5 | 14 | 132- | 310 | 13 | 21 | | | |
| 11- | 340 | 19 | 15 | 132- | 311 | 11 | 32 | | | |
| 11- | 342 | 19 | 9 | 132- | 318 | 23 | 17 | | | |
| 11- | 349 | 21 | 12 | 132- | 320 | 19 | 26 | | | |
| 11- | 362 | 7 | 18 | 138- | 77 | 11 | 6 | | | |
| 11- | 362 | 9 | 18 | 138- | 92 | 11 | 8 | | | |
| 11- | 362 | 13 | 12 | 138- | 319 | 11 | 31 | | | |
| 13- | 1 | 19 | 13 | 141- | 56 | 13 | 28 | | | |
| 13- | 102 | 5 | 7 | 178- | 858 | 21 | 7 | | | |
| 13- | 102 | 19 | 22 | 178- | 858 | 21 | 10 | | | |
| 13- | 111 | 15 | 7 | 187- | 1036 | 5 | 5 | | | |
| 13- | 205 | 7 | 9 | 187- | 1036 | 11 | 3 | | | |
| 13- | 205 | 9 | 9 | 192- | 19 | 17 | 7 | | | |
| 13- | 205 | 7 | 14 | 192- | 20 | 5 | 8 | | | |
| 13- | 206 | 9 | 14 | 192- | 20 | 13 | 4 | | | |
| 13- | 206 | 15 | 9 | 192- | 20 | 13 | 4 | | | |
| 13- | 206 | 19 | 5 | 192- | 20 | 19 | 20 | | | |
| 13- | 206 | 23 | 1 | 192- | 20 | 21 | 4 | | | |
| 13- | 208 | 11 | 35 | 192- | 21 | 5 | 15 | | | |
| 13- | 209 | 11 | 23 | 192- | 21 | 7 | 10 | | | |
| 13- | 412 | 19 | 29 | 192- | 21 | 9 | 10 | | | |
| 13- | 412 | 23 | 11 | 192- | 21 | 11 | 17 | | | |
| 13- | 713 | 13 | 16 | 192- | 21 | 13 | 13 | | | |
| 26- | 16 | 21 | 8 | 192- | 21 | 19 | 6 | | | |
| 26- | 19 | 7 | 5 | 193- | 68 | 23 | 2 | | | |
| 26- | 19 | 9 | 5 | 195- | 108 | 5 | 11 | | | |
| 29- | 101 | 17 | 8 | 195- | 518 | 17 | 9 | | | |
| 29- | 102 | 5 | 9 | 195- | 525 | 7 | 21 | | | |
| 29- | 102 | 13 | 5 | 195- | 525 | 9 | 21 | | | |
| 29- | 102 | 19 | 21 | 195- | 525 | 11 | 26 | | | |
| 29- | 102 | 21 | 5 | 195- | 525 | 19 | 10 | | | |
| 29- | 103 | 5 | 16 | 195- | 530 | 7 | 19 | | | |
| 29- | 103 | 11 | 18 | 195- | 530 | 9 | 19 | | | |
| 29- | 103 | 13 | 14 | 195- | 533 | 11 | 16 | | | |
| 29- | 103 | 19 | 7 | 195- | 533 | 11 | 46 | | | |
| 31- | 165 | 11 | 40 | 195- | 533 | 13 | 23 | | | |
| 31- | 165 | 19 | 32 | 195- | 533 | 15 | 12 | | | |
| 31- | 165 | 23 | 12 | 195- | 533 | 23 | 9 | | | |
| 31- | 176 | 11 | 13 | 195- | 534 | 19 | 30 | | | |
| 31- | 176 | 15 | 3 | 195- | 541 | 13 | 20 | | | |
| 31- | 178 | 7 | 22 | 195- | 541 | 19 | 35 | | | |
| 31- | 178 | 9 | 22 | 195- | 545 | 21 | 19 | | | |
| 31- | 178 | 11 | 27 | 195- | 2021 | 11 | 12 | | | |
| 31- | 178 | 21 | 15 | 195- | 2027 | 15 | 4 | | | |
| 31- | 178 | 23 | 5 | 195- | 2029 | 21 | 13 | | | |
| 31- | 1102 | 19 | 14 | 195- | 533 | 15 | 12 | | | |
| 31- | 1112 | 13 | 17 | 195- | 533 | 23 | 9 | | | |
| 31- | 1114 | 11 | 37 | 195- | 2134 | 19 | 36 | | | |
| | | | | 195- | 2135 | 13 | 25 | | | |
| | | | | 219- | 1 | 15 | 16 | | | |
| | | | | 321- | 1571 | 5 | | | | |

ROTARY MOWER
J, K, L, M, N (40)(44)(46)
SNOWCASTER
J, K, L, M, N, P, R, S (80)(84)
UTILITY BLADE
J, K, L (50)(54)
Parts Catalog J1250

This Parts Catalog replaces catalog H1250

3-93-RP-500-139



APPLICATION CHART

| MODEL DESIGNATIONS | TRACTOR APPLICATION | | | | | | | | | | |
|--|---------------------|-----|-----|-----|-----|-----|-----|-----|-----|-----|-----|
| | 210 | 220 | 222 | 224 | 226 | 444 | 446 | 448 | 644 | 646 | 648 |
| J, K, L, M, N (40) Rotary Mower | X | X | X | X | X | (1) | (1) | (1) | (1) | (1) | (1) |
| J, K, L, M, N (44) Rotary Mower | X | X | X | X | X | X | X | X | X | X | X |
| J, K, L, M, N, (46) Rotary Mower | (1) | (1) | X | X | X | X | X | X | X | X | X |
| J, K, L, M, N, P, R, S (80) Snowcaster | X | X | X | X | X | (1) | (1) | (1) | | | |
| J, K, L, M, N, P, R, S (84) Snowcaster | (1) | (1) | X | X | X | X | X | X | | | |
| | X | X | X | (1) | (1) | (1) | (1) | (1) | | | |
| J, K, L (54) Utility Blade | (1) | (1) | X | X | X | X | X | X | | | |

(1) Will fit, but not recommended

ALPHABETICAL INDEX

MOWER SECTION

| | Page | Grid |
|-------------------|-------|---------|
| Axle | 15-17 | E14-F2 |
| Bearings | 11-13 | E10-E12 |
| Belts | 5-7 | E4-E6 |
| Blades | 11-13 | E10-E12 |
| Decals | 29 | F14 |
| Decks | 5-7 | E4-E6 |
| Guards and Covers | 5-7 | E4-E6 |
| Housing, Spindle | 11-13 | E10-E12 |
| Idler, Deck | 11-13 | E10-E12 |
| Idler, Drive | 15-17 | E14-F2 |
| Kits, Roller | 9 | E8 |
| Lift Assembly | 15-17 | E14-F2 |
| Pulleys, Deck | 11-13 | E10-E12 |
| Rollers, Rubber | 5-9 | E4-E8 |
| Spindles | 11-13 | E10-E12 |
| Wheels, Gauge | 15-17 | E14-F2 |

SNOWCASTER SECTION

| | | |
|----------------|-------|--------|
| Auger | 23 | F8 |
| Auger Housing | 19-21 | F4-F6 |
| Bearings | 23 | F8 |
| Belts | 25 | F10 |
| Chain - Auger | 23 | F8 |
| Chute Assembly | 19-21 | F4-F6 |
| Decals | 29-31 | F14-G2 |
| Drive Assembly | 23 | F8 |
| Idler Assembly | 25 | F10 |
| Lift Assembly | 19-21 | F4-F6 |

UTILITY BLADE SECTION

| | | |
|------------------|-------|--------|
| Blade | 27 | F12 |
| Decals | 29-31 | F14-G2 |
| Lift Arm | 27 | F12 |
| Mounting Bracket | 27 | F12 |

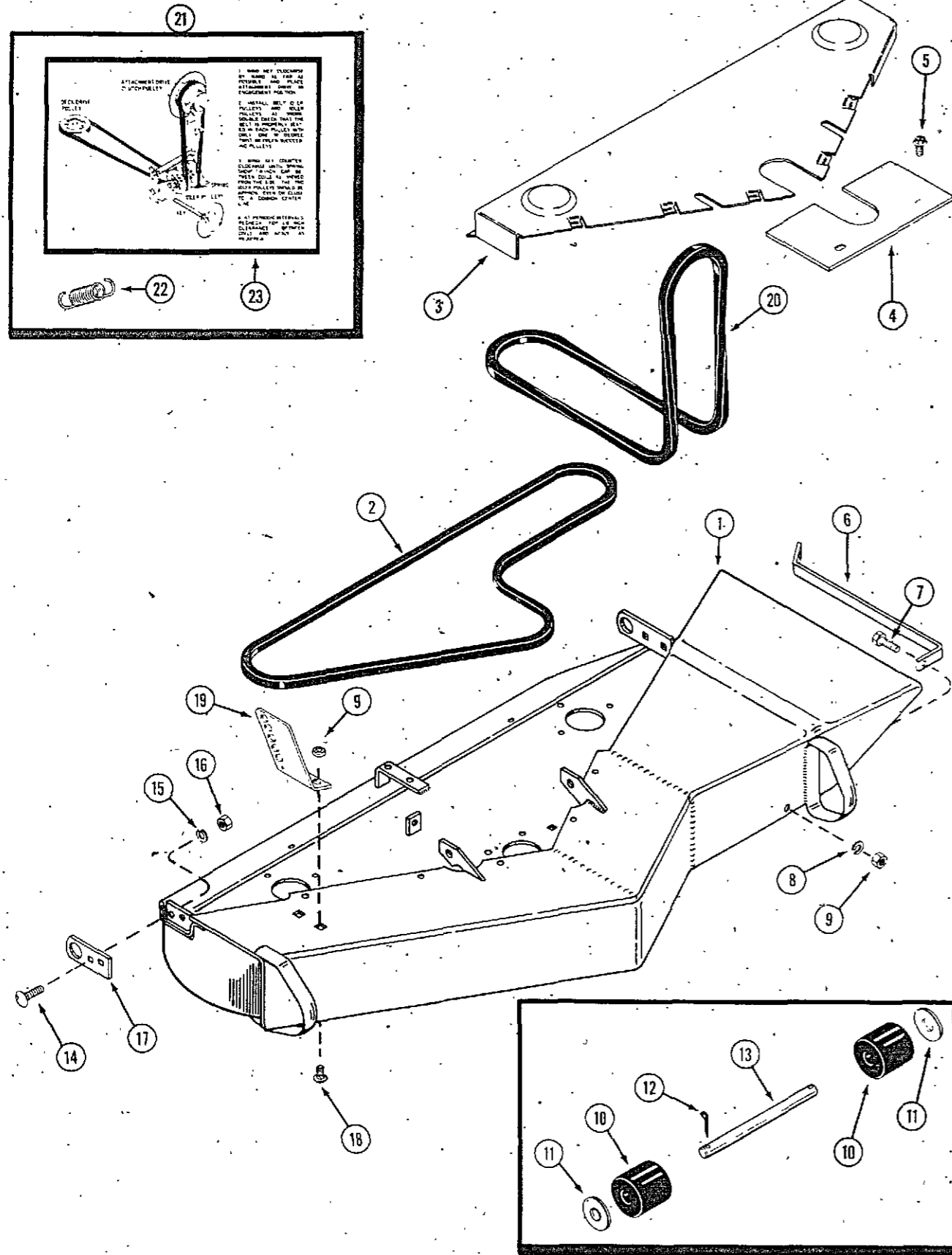
NOTE: See grid A2 for -
 G80, G84 Snowcasters

NOTE: See grid B2 for -
 G40, G44, G46 Rotary Mowers,
 G3, G5 Mounting Kits

NOTE: See grid C2 for -
 H40, H44, H46 Rotary Mowers,
 H50, H54 Dozer Blades,
 E60 Dump Cart,
 H80, H84 Snowblower

DECK, BELTS AND DECK COVERS

Use for J, K, L, M(40)(44)(46)



| REF. | PART NO. | DESCRIPTION | REQ'D |
|------|-----------|---|-------|
| 1 | NSS | DECK - mower J40, K40, L40, M40 (38") (use C28455 and C30841) | 1 |
| 1 | NSS | DECK - mower J44, K44, L44, M44 (44") (use C28463 and C30841) | 1 |
| 1 | NSS | DECK - mower J46, K46, L46, M46 (48") (use C28470 and C30841) | 1 |
| 2 | C 23810 | BELT - mower deck, J40, K40, L40, M40 | 1 |
| 2 | C 22707 | BELT - mower deck, J44, K44, L44, M44 | 1 |
| 2 | C 22708 | BELT - mower deck, J46, K46, L46, M46 | 1 |
| 3 | C 26809 | GUARD - deck belt, J40, K40, L40, M40 | 1 |
| 3 | C 26810 | GUARD - deck belt, J44, K44, L44, M44 | 1 |
| 3 | C 26811 | GUARD - deck belt, J46, K46, L46, M46 | 1 |
| 4 | C 15675* | COVER - deck, small (early production) | 1 |
| 5 | 187- 1036 | SCREW - 1/4" x 1/2" NC hex self-tapping | UAR |
| 6 | C 15640 | BAR - toe guard, J40 (early production only) | 1 |
| 6 | C 15639 | BAR - toe guard, J44 (early production only) | 1 |
| 6 | C 15634 | BAR - toe guard, J46 (early production only) | 1 |
| 7 | 113- 102 | BOLT - 5/16" x 3/4" NC hex ZP | 2 |
| 8 | 193- 29 | LOCK WASHER - 5/16" ZP, internal tooth | 2 |
| 9 | 131- 911 | NUT - 5/16" NC hex ZP flange lock | 5 |
| 10 | C 28976 | ROLLER - 2/1/2" x 2-3/8" | 2 |
| 11 | 195- 108 | WASHER - 5/8" ZP | 2 |
| 12 | 132- 310 | PIN - cotter 1/8" x 1" | 2 |
| 13 | C 14892 | SHAFT - rear roller | 2 |
| 14 | 111- 371 | BOLT - 3/8" x 1" NC rd. hd. square neck | 2 |
| 15 | 192- 21 | LOCK WASHER - 3/8" ZP | 2 |
| 16 | 129- 103 | NUT - 3/8" NC hex ZP | 2 |
| 17 | C 15562 | BRACKET - axle pivot, J40, K40, L40 | 1 |
| 17 | C 15560 | BRACKET - axle pivot, J44, K44, L44 | 1 |
| 17 | C 15561 | BRACKET - axle pivot, J46, K46, L46 | 1 |
| 18 | 111- 132 | BOLT - 5/16" x 3/4" rd. hd. square-neck | 5 |
| 19 | C 15935 | BRACKET - height adj. | 1 |
| 20 | C 23358 | BELT - drive (Use with 210, 220, 222, 224 and 226 tractors) | 1 |
| 20 | C 23359 | BELT - drive (Use with 444, 446 and 448 tractors) | 1 |
| 20 | C 23808 | BELT - drive (Use with 646 and 648 tractors) | 1 |
| 20 | C 23810 | BELT - drive (Use with 644 S/N 9698343 and after) | 1 |
| 20 | C 23807 | BELT - drive (used with 644 prior to S/N 9698343) | 1 |
| 21 | NSS | KIT - spring and decal (J46 used prior to S/N D46376) | 1 |
| 22 | C 21942 | SPRING - idler | 1 |
| 23 | C 31494 | DECAL - belt installation | 1 |
| | C 26485 | SKID - rear | 1 |
| | C 15590 | SKID - front R.H. | 1 |
| | C 18921 | SKID - front L.H. | 1 |

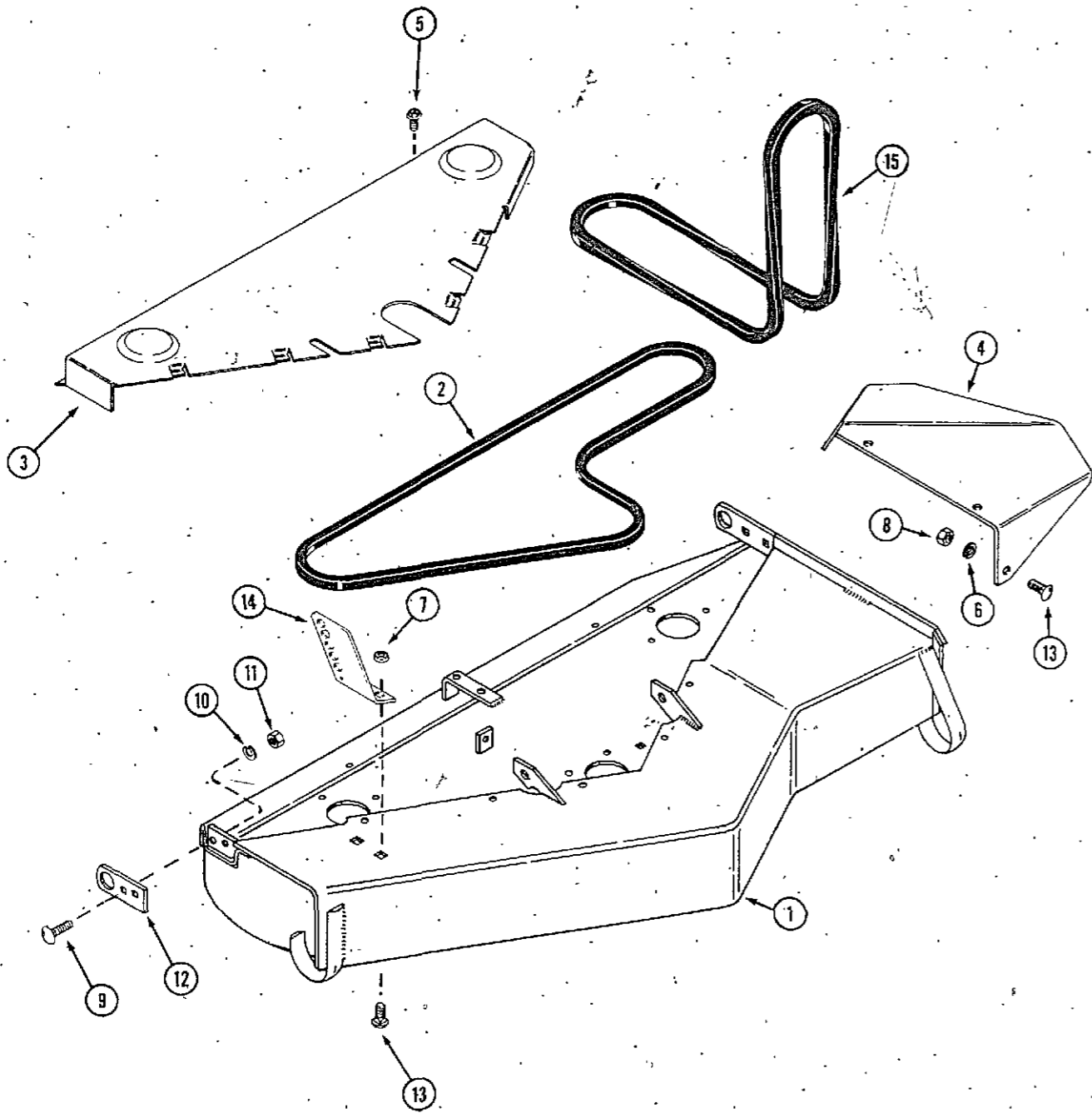
*used before S/N:
 J40 and K40 - AA 13699
 J44 and K44 - BB 14443
 J46 and K46 - DD 15449

NOTE: Optional roller kits to replace skids
 (See page 9 for parts)
 C33139 KIT - front rollers (H, J, K, L, M, N40)
 C33140 KIT - front rollers (H, J, K, L, M, N44)
 C33141 KIT - front rollers (H, J, K, L, M, N46)
 C33142 KIT - rear roller (all above models)

USED ON MODELS PRIOR TO 1975

DECK, BELTS AND DECK COVERS

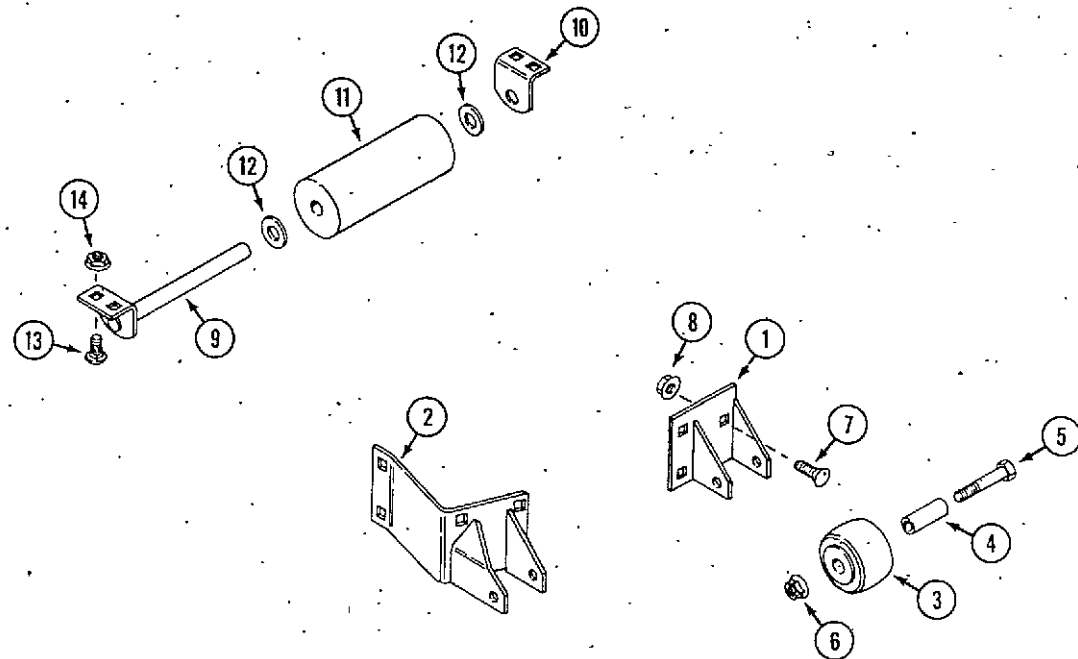
Use for N40, N44, N46



| REF. | PART NO. | DESCRIPTION | REQ'D |
|------|-----------|---|-------|
| 1 | C 28455 | DECK - mower N40 (38") (970 mm) | 1 |
| 1 | C 28463 | DECK - mower N44 (44") (1120 mm) | 1 |
| 1 | C 28470 | DECK - mower N46 (48") (1220 mm) | 1 |
| 2 | C 23810 | BELT - mower deck, N40 | 1 |
| 2 | C 22707 | BELT - mower deck, N44 | 1 |
| 2 | C 22708 | BELT - mower deck, N46 | 1 |
| 3 | C 26809 | GUARD - deck belt, N40 | 1 |
| 3 | C 26810 | GUARD - deck belt, N44 | 1 |
| 3 | C 26811 | GUARD - deck belt, N46 | 1 |
| 4 | C 30841 | DEFLECTOR - chute | 1 |
| 5 | 187- 1036 | SCREW - 1/4" x 1/2" NC hex self-tapping | 1 |
| 6 | 192- 20 | LOCK WASHER - 5/16" | 3 |
| 7 | 131- 911 | NUT - 5/16" NC hex ZP flange | 2 |
| 8 | 129- 102 | NUT - 5/16" NC hex ZP | 5 |
| 9 | 111- 371 | BOLT - 3/8" x 1" NC rd. hd. square neck | 2 |
| 10 | 192- 21 | LOCK WASHER - 3/8" ZP | 2 |
| 11 | 129- 103 | NUT - 3/8" NC hex ZP | 2 |
| 12 | C 15562 | BRACKET - axle pivot, N40 | 1 |
| 12 | C 15560 | BRACKET - axle pivot, N44 | 1 |
| 12 | C 15561 | BRACKET - axle pivot, N46 | 1 |
| 13 | 111- 132 | BOLT - 5/16" x 3/4" rd. hd. square neck | 5 |
| 14 | C 15935 | BRACKET - height adj. | 1 |
| 15 | C 23358 | BELT - drive (Use with 210, 220, 222, 224 and 226 tractors) | 1 |
| 15 | C 23359 | BELT - drive (Use with 444, 446 and 448 tractors) | 1 |
| 15 | C 23808 | BELT - drive (Use with 646 and 648 tractors) | 1 |
| 15 | C 23810 | BELT - drive (Use with 644 S/N 9698343 and after) | 1 |
| 15 | C 23807 | BELT - drive (used with 644 prior to S/N 9698343) | 1 |
| | C 26485 | SKID - rear | 1 |
| | C 15590 | SKID - front R.H. | 1 |
| | C 18921 | SKID - front L.H. | 1 |

NOTE: Optional roller kits to replace skids
(See page 9 for parts)

- C33139 KIT - front rollers (H, J, K, L, M, N40)
- C33140 KIT - front rollers (H, J, K, L, M, N44)
- C33141 KIT - front rollers (H, J, K, L, M, N46)
- C33142 KIT - rear roller (all above models)

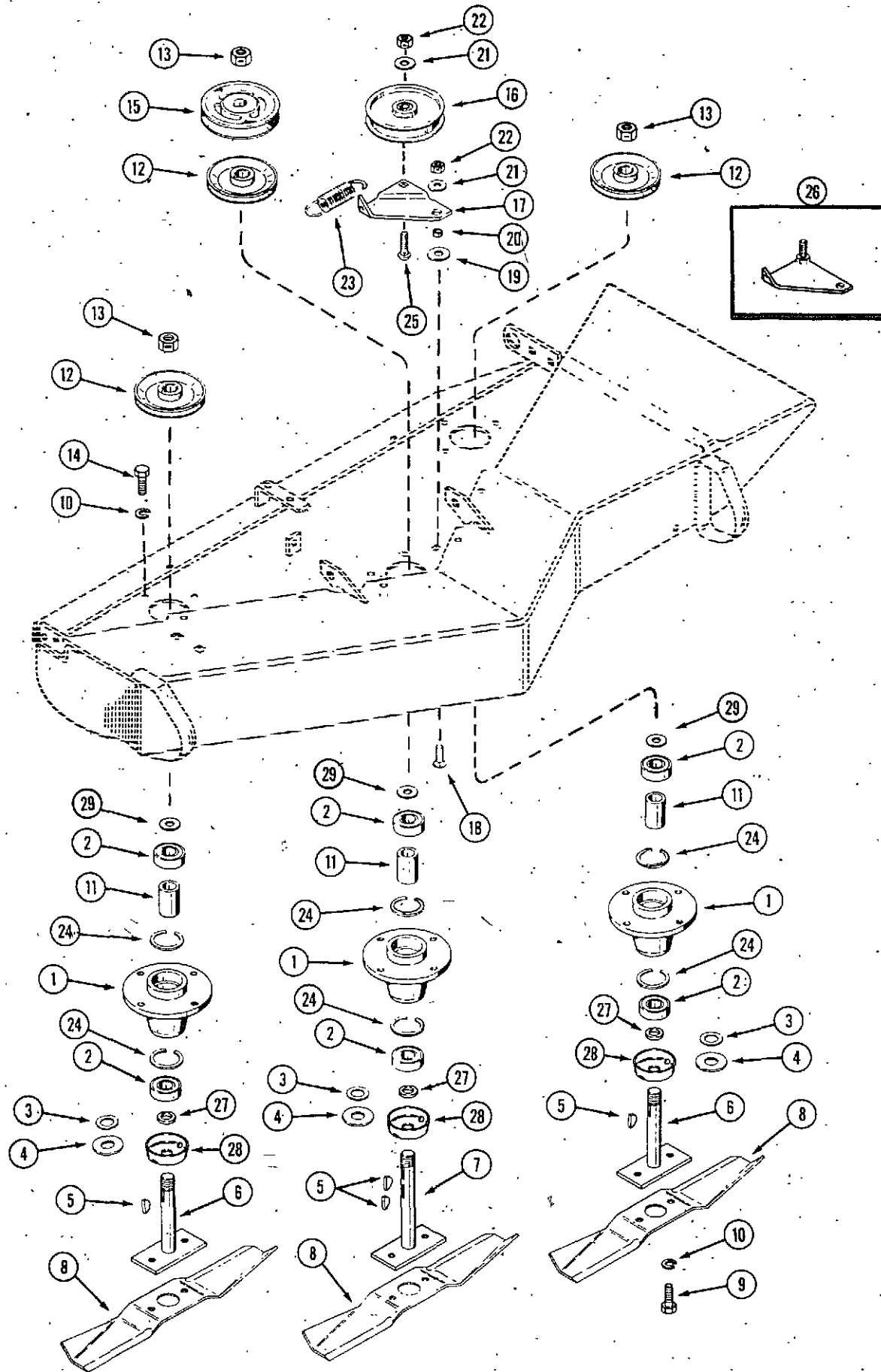


ROLLER KITS

| | | | |
|----|----------|--|---|
| | C 33139 | KIT - front rollers (H40, J40, K40, L40, M40, N40) | 1 |
| | C 33140 | KIT - front rollers (H44, J44, K44, L44, M44, N44) | 1 |
| | C 33141 | KIT - front rollers (H46, J46, K46, L46, M46, N46) | 1 |
| 1 | C 33143 | BRACKET - mounting L.H. | 1 |
| 2 | C 33144 | BRACKET - mounting R.H. (H40, J40, K40, L40, M40, N40) | 1 |
| 2 | C 33145 | BRACKET - mounting R.H. (H44, J44, K44, L44, M44, N44) | 1 |
| 2 | C 33146 | BRACKET - mounting R.H. (H46, J46, K46, L46, M46, N46) | 1 |
| 3 | C 31500 | ROLLER | 2 |
| 4 | C 31501 | SPACER - sleeve | 2 |
| 5 | 113- 241 | BOLT - 3/8" - 16 x 3" (attach L.H. Roller) | 1 |
| 5 | 111- 375 | BOLT - 3/8" - 16 x 3" carriage (attach R.H. roller) | 1 |
| 6 | 131- 938 | NUT - 3/8" - 16 flange lock | 2 |
| 7 | 111- 132 | BOLT - 5/16" - 18 x 3/4" carriage | 8 |
| 8 | 131- 911 | NUT - 5/16" - 18 flange lock | 8 |
| 9 | C 33142 | KIT - rear roller | 1 |
| 9 | C 33156 | BRACKET - mounting | 1 |
| 10 | C 33157 | BRACKET - mounting | 1 |
| 11 | C 28977 | ROLLER - 7" | 1 |
| 12 | 195- 541 | WASHER - 5/8" | 2 |
| 13 | 111- 132 | BOLT - 5/16" - 18 x 3/4" carriage | 4 |
| 14 | 131- 911 | NUT - 5/16" - 18 flange lock | 4 |

PULLEYS, BLADES AND SPINDLES

Use for J, K, L, M, N(40)(44)



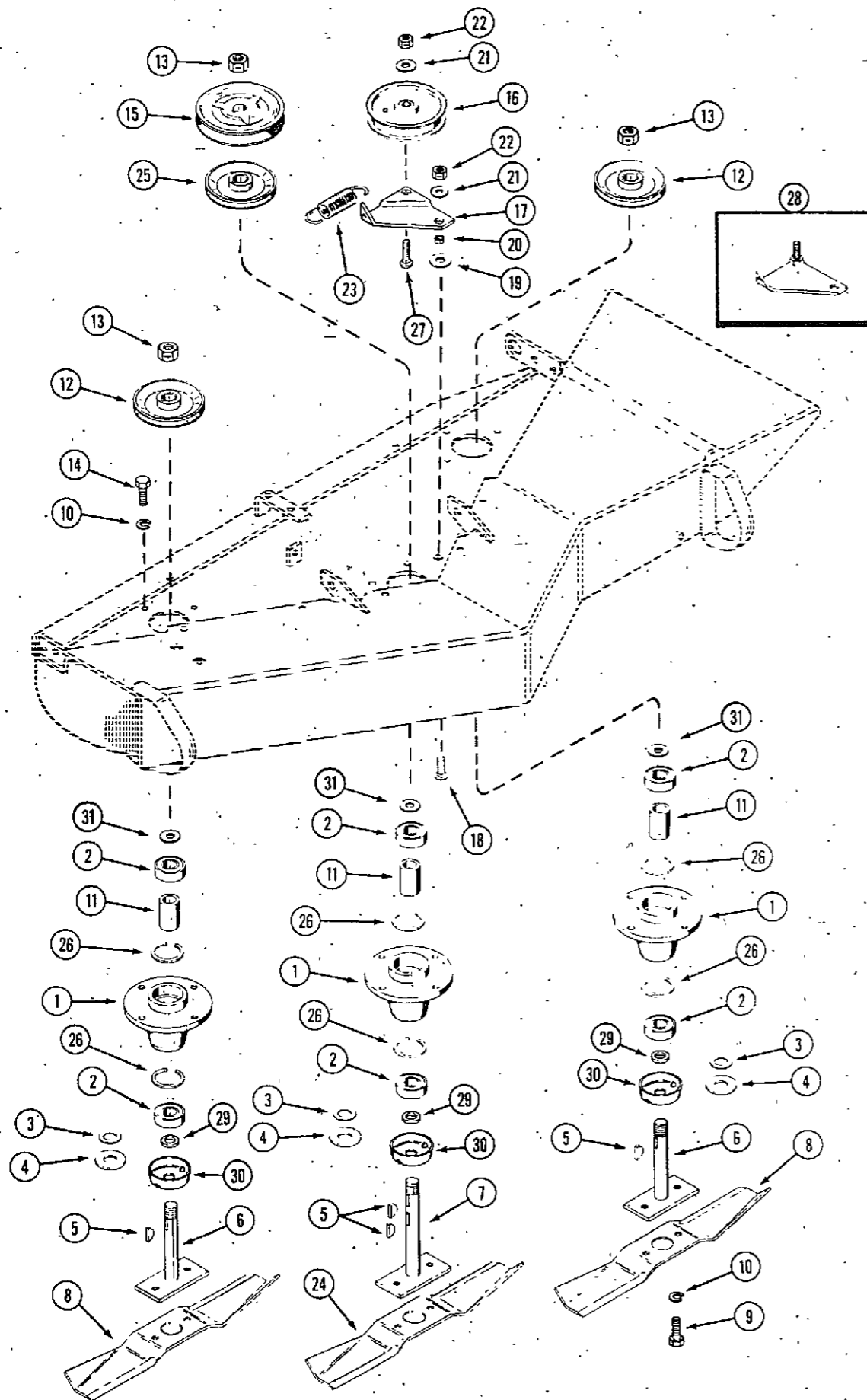
| REF. | PART NO. | DESCRIPTION | REQ'D |
|------|-----------|---|-------|
| 1 | C 17666* | HOUSING - mower spindle | 3 |
| 2 | C 28971 | BEARING - spindle | 6 |
| 3 | C 28972 | WASHER - bearing seal (early production) | 3 |
| 4 | C 10942 | WASHER - mower spindle (early production) | 3 |
| 5 | 126- 19 | KEY - spindle, #11 Woodruff | 4 |
| 6 | C 15763 | SPINDLE - outboard | 2 |
| 7 | C 15604 | SPINDLE - center | 1 |
| 8 | C 24441 | BLADE - 14" (J40, K40, L40, M40, N40) | 3 |
| 8 | C 24442 | BLADE - 15-1/2" (J44, K44, L44, M44, N44) | 3 |
| 9 | 113- 206 | BOLT - 3/8" x 3/4" NC hex (grade 5) | 6 |
| 10 | 192- 21 | LOCKWASHER - 3/8" | 18 |
| 11 | C 10810 | SPACER - bearing | 3 |
| 12 | C 21581 | PULLEY - outboard | 3 |
| 13 | 131- 1331 | NUT - jam lock 3/4" NF hex | 3 |
| 14 | 113- 206 | BOLT - 3/8" x 3/4" NC hex | 12 |
| 15 | C 15963 | PULLEY - drive (J40, K40, L40, M40, N40) | 1 |
| 15 | C 15615 | PULLEY - drive (J44, K44, L44, M44, N44) | 1 |
| 16 | C 12251 | PULLEY - deck idler | 1 |
| 17 | C 25080 | BRACKET - idler | 1 |
| 18 | 111- 371 | BOLT - 3/8" x 1" rd. hd. square neck | 1 |
| 19 | 195- 105 | WASHER - 1/2" ZP | 1 |
| 20 | C 14768 | SPACER - idler bracket | 1 |
| 21 | 195- 525 | WASHER - 3/8" ZP | 2 |
| 22 | 131- 1181 | NUT - lock 3/8" NC hex | 2 |
| 23 | C 31606 | SPRING - idler | 1 |
| 24 | C 16516** | RING - retainer | 6 |
| 25 | 111- 366 | BOLT - 3/8" rd. hd. sq. neck | 1 |
| 26 | NSS | BRACKET - idler (use C25080 bracket and 111-366 bolt) | 1 |
| 27 | C 25541 | SPACER - bearing shield | 3 |
| 28 | C 25543 | SHIELD - bearing | 3 |
| 29 | C 28972 | WASHER - bearing | 3 |

*also use (2) C16516 retaining rings
S/N and after:
K40, L40, M40, N40 - AA11798
K44, L44, M44, N44 - BB12278

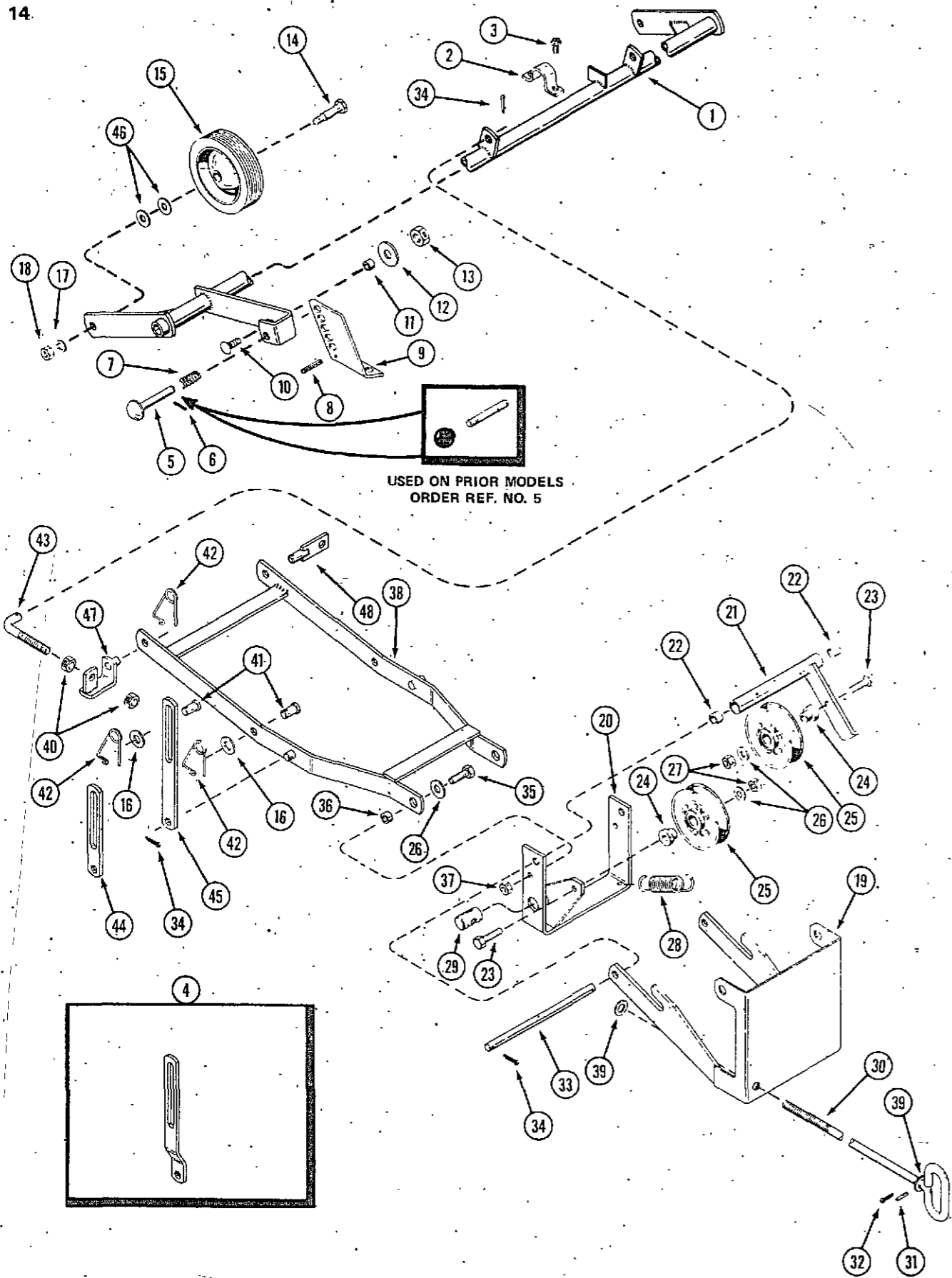
**for service of J40 and J44
for service of K40 and K44
before S/N:
K40 - AA11798
K44 - BB12278

PULLEYS, BLADES AND SPINDLES

Use for J, K, L, M, N(46)



| REF. | PART NO. | DESCRIPTION | REQ'D |
|------|-----------|---|-------|
| 1 | C 17666 | HOUSING - mower spindle (also use [2] C16516 after S/N DD12835) | 3 |
| 2 | C 28971 | BEARING - spindle | 6 |
| 3 | C 28972 | WASHER - bearing (early production) | 3 |
| 4 | C 10942 | WASHER - spacer (early production) | 3 |
| 5 | 126- 19 | KEY - spindle, #11 Woodruff | 4 |
| 6 | C 15763 | SPINDLE - outboard | 2 |
| 7 | C 15604 | SPINDLE - center | 1 |
| 8 | C 14886 | BLADE - 17" outboard | 2 |
| 9 | 113- 206 | BOLT - 3/8" x 3/4" NC hex (grade 5) | 6 |
| 10 | 192- 21 | LOCK WASHER - 3/8" | 18 |
| 11 | C 10810 | SPACER - bearing | 3 |
| 12 | C 21581 | PULLEY - outboard | 2 |
| 13 | 131- 1331 | NUT - jam lock 3/4" NF hex | 3 |
| 14 | 113- 206 | BOLT - 3/8" x 3/4" NC hex | 12 |
| 15 | C 15615 | PULLEY - drive | 1 |
| 16 | C 12251 | PULLEY - deck idler | 1 |
| 17 | C 25080 | BRACKET - idler | 1 |
| 18 | 111- 371 | BOLT - 3/8" x 1" rd. hd. square neck | 1 |
| 19 | 195- 105 | WASHER - 1/2" ZP | 1 |
| 20 | C 14768 | SPACER - idler bracket | 1 |
| 21 | 195- 525 | WASHER - 3/8" ZP | 2 |
| 22 | 131- 1181 | NUT - lock 3/8" NC hex | 2 |
| 23 | C 31606 | SPRING - idler | 1 |
| 24 | C 24443 | BLADE - 16" center | 1 |
| 25 | C 21580 | PULLEY - center | 1 |
| 26 | C 16516 | RING - retainer (use before S/N DD12835) | 6 |
| 27 | 111- 366 | BOLT - 3/8" rd. hd. sq. neck | 1 |
| 28 | NSS | BRACKET - idler (use C25080 bracket and 111-366 bolt) | 1 |
| 29 | C 25541 | SPACER - bearing shield | 3 |
| 30 | C 25543 | SHIELD - bearing | 3 |
| 31 | C 28972 | WASHER - bearing | 3 |



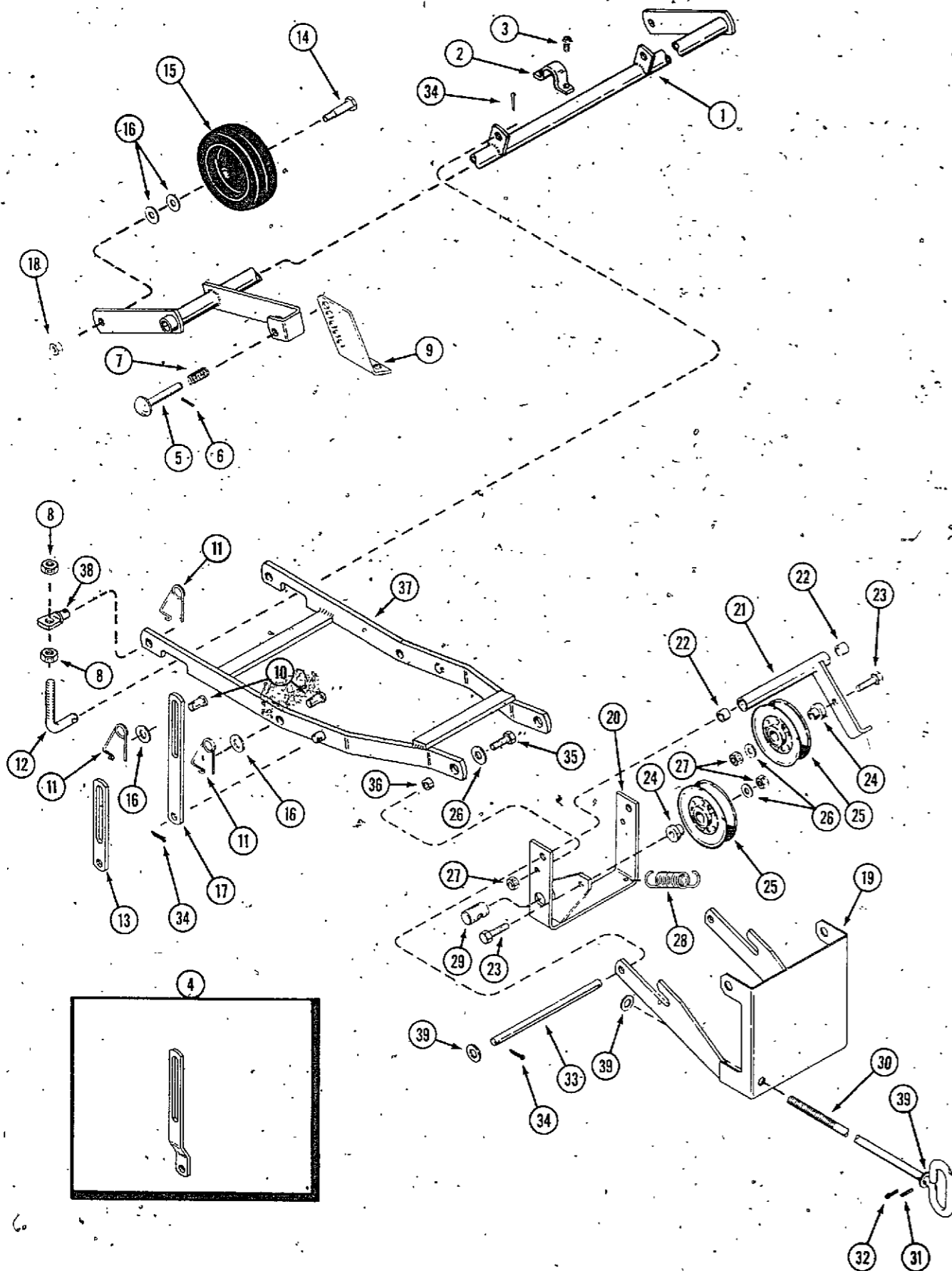
AXLE, IDLER AND MOUNTING ASSEMBLIES

Use for J40, J44 and J46

| REF. | PART NO. | DESCRIPTION | REQ'D |
|------|-----------|---|-------|
| 1 | C 24707 | AXLE - rear (J40) | 1 |
| 1 | C 24708 | AXLE - rear (J44) | 1 |
| 1 | C 24709 | AXLE - rear (J46) | 1 |
| 2 | C 14932 | BRACKET - axle mounting (J40 and J44) | 1 |
| 2 | C 14932 | BRACKET - axle mounting (J46) | 2 |
| 3 | 187- 1036 | SCREW - 1/4" x 1/2" NC hex self-tapping (4 req'd for J46) | 2 |
| 4 | NSS | LINK - R.H. 446 only (shipped with tractor) 9-1/2" (240 mm) (Use C25702, C25703) | 1 |
| 4 | C 25702 | LINK - lift (R.H. 446, 448) comes with tractor, 8-3/4" (220 mm) | 1 |
| 5 | C 20005 | PIN - locking | 1 |
| 6 | 138- 96 | PIN - roll 3/16" x 1" | 1 |
| 7 | C 10482 | SPRING | 1 |
| 8 | 138- 92 | PIN - roll 3/16" x 3/4" (early production) | 1 |
| 9 | C 15935 | BRACKET - height adjust | 1 |
| 10 | 111- 203 | BOLT - 5/16" x 1" NC rd. hd. square neck (early production) | 1 |
| 11 | C 14768 | SPACER - height adjust (early production) | 1 |
| 12 | 195- 2175 | WASHER - 11/32" x 1-1/4" (early production) | 1 |
| 13 | 131- 176 | NUT - lock 5/16" NC hex (early production) | 1 |
| 14 | C 16745 | STUD - gauge wheel | 2 |
| 14 | NSS | STUD - gauge wheel (J46) (use before S/N D61713) (use C26848, 113-248) | 2 |
| 15 | C 26736 | WHEEL - gauge (J40 and J44) | 2 |
| 15 | C 26737 | WHEEL - gauge (J46) (also use C16745 before S/N D61713) | 2 |
| 16 | 195- 533 | WASHER - 1/2" | 4 |
| 17 | 192- 21 | LOCK WASHER - 3/8" (early production) | 2 |
| 18 | 131- 1181 | NUT - 3/8" NC hex lock | 2 |
| | C 25418 | FRAME ASSEMBLY - mounting | 1 |
| 19 | C 17648 | BRACKET - front mounting (use C30168 for 648 loader) | 1 |
| 20 | C 16569 | BRACKET - idler | 1 |
| 21 | C 16575 | BRACKET ASSEMBLY - idler arm | 1 |
| 22 | C 17597 | BUSHING - idler arm | 2 |
| 23 | 113- 209 | BOLT - 3/8" x 1-1/2" NC hex | 2 |
| 24 | C 12264 | BUSHING - idler pulley | 2 |
| 25 | C 25370** | PULLEY - idler | 2 |
| 25 | C 10463* | PULLEY - idler | 2 |
| 26 | 195- 525 | WASHER - 3/8" | 4 |
| 27 | 131- 1181 | NUT - lock 3/8" NC hex | 2 |
| 28 | C 21942 | SPRING - idler, used (J40) S/N A45655, (J44) S/N C47621, (J46) S/N D46376 and after | 1 |
| 28 | NSS | SPRING - idler (order C21961 Kit page 5) used early production | 1 |
| 29 | C 14269 | NUT - belt tension | 1 |
| 30 | C 26890 | SCREW - idler adjust | 1 |
| 31 | 138- 2073 | PIN - roll 3/16" x 1" | 1 |
| 32 | 132- 318 | PIN - cotter | 1 |
| 33 | C 31575 | ROD - pivot | 1 |
| 34 | 132- 310 | PIN - cotter 1/8" x 1" | 8 |
| 35 | 113- 208 | BOLT - 3/8" x 1-1/4" NC hex | 2 |
| 36 | C 16573 | SPACER | 2 |
| 37 | 131- 1181 | NUT - lock 3/8" NC hex jam | 2 |
| 38 | C 16824 | FRAME - rear mounting | 1 |
| 39 | 195- 533 | WASHER - 1/2" | 2 |
| 40 | 131- 1182 | NUT - lock 1/2" NC hex | 4 |
| 41 | C 10821 | PIN - clevis 1/2" x 7/8" | 4 |
| 42 | C 10898 | PIN - safety | 6 |
| 43 | C 17686 | BOLT - "J" | 2 |
| 44 | C 18315 | LINK - lift, short (use with Model 210, 220, 222, 224, 644, 646 and 648) | 2 |
| 45 | NSS | LINK - lift, long (use with Model 444), 9-1/2" (240mm) (use [2] C25703) | 2 |
| 45 | NSS | LINK - lift, long (use with Model 446, 448) 9-1/2" (240 mm) (use C25702, C25703) | 1 |
| 45 | C 25703 | LINK - lift, long (use on 444, 446, 448), 8-3/4" (220 mm) | 2 |
| 46 | 195- 533 | WASHER - 1/2" (6 req. on J46) | UAR |
| 47 | C 19412 | LINK - adjust (use on early production) | 1 |
| 48 | C 17048 | PIN | 1 |

* use before S/N:
 J40 - A59542
 J44 - C65190
 J46 - D63972

**use S/N and after:
 J40 - A59542
 J44 - C65190
 J46 - D63972



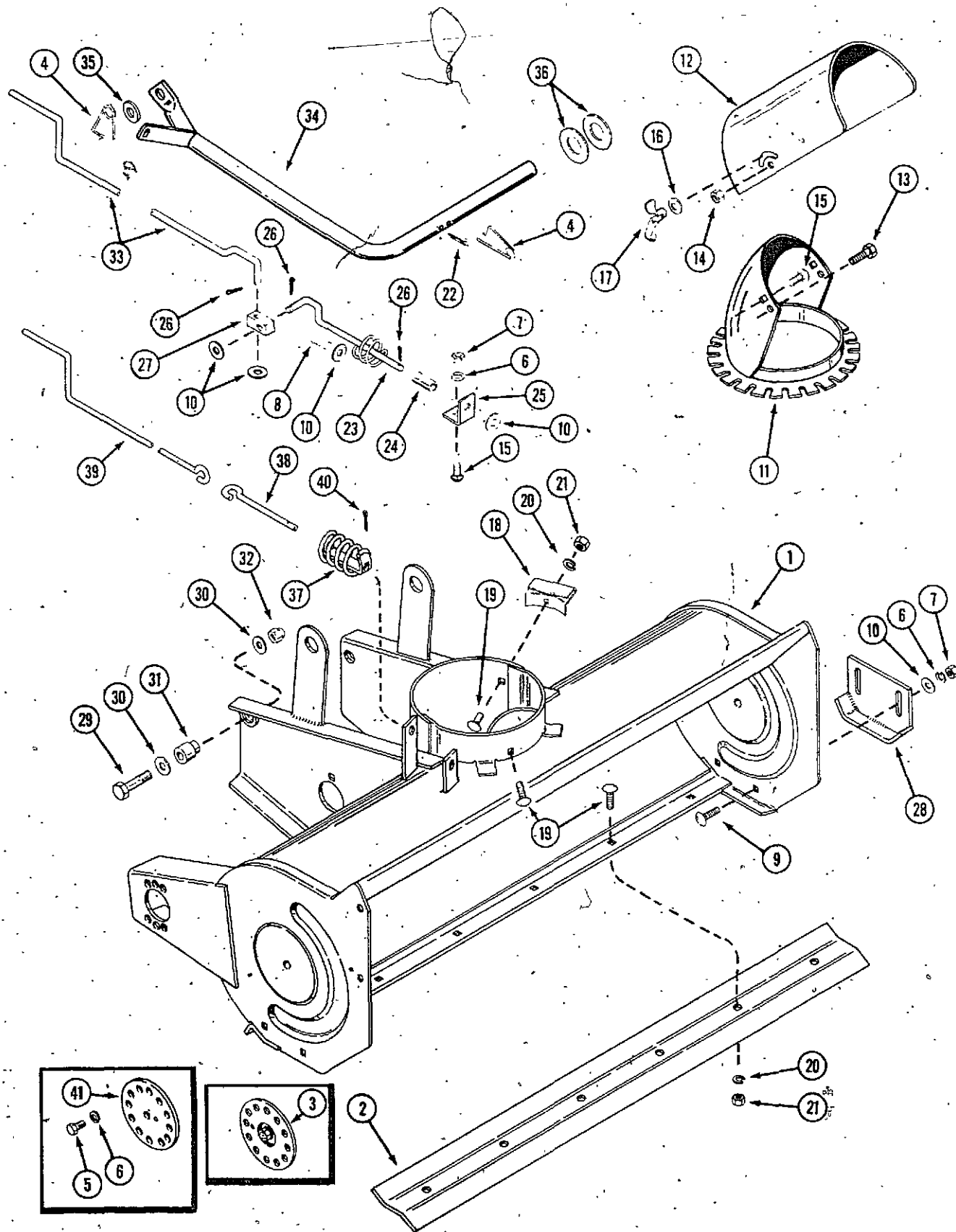
AXLE IDLER AND MOUNTING ASSEMBLIES

Use for K, L, M, N, (40)(44)(46)

| REF. | PART NO. | DESCRIPTION | REQ'D |
|------|-----------|--|-------|
| 1 | C 26047 | AXLE - rear (K40, L40, M40, N40) | 1 |
| 1 | C 26048 | AXLE - rear (K44, L44, M44, N44) | 1 |
| 1 | C 26049 | AXLE - rear (K46, L46, M46; N46) | 1 |
| 2 | C 14932 | BRACKET - axle mounting (2 required on K46, L46, M46, N46) | 1 |
| 3 | 187- 1036 | SCREW - 1/4" x 1/2" NC hex self-tapping | UAR |
| 4 | C 25702 | LINK - lift (R.H. 444, 446, 448) comes with tractor, 8-3/4" (220 mm) | 1 |
| 4 | C 27225 | LINK - short offset (226) R.H. | 1 |
| 5 | C 20005 | PIN - locking | 1 |
| 6 | 138- 96 | PIN - roll 3/16" x 1" | 1 |
| 7 | C 10482 | SPRING | 1 |
| 8 | 131- 930 | NUT - lock 1/2" NC hex flange | 4 |
| 9 | C 15935 | BRACKET - height adjust | 1 |
| 10 | C 10821 | PIN - clevis 1/2" x 7/8" | 4 |
| 11 | C 10898 | PIN - safety | 6 |
| 12 | C 26044 | BOLT - "J" | 2 |
| 13 | C 18315 | LINK - lift, short (use with Model 210, 220, 222, 224, 644, 646 and 648) | 2 |
| 13 | C 18315 | LINK - lift, short (226) L.H. | 1 |
| 14 | C 16745 | STUD - gauge wheel | 2 |
| 15 | C 26736 | WHEEL - gauge (K40, K44, L40, L44, M40, M44, N40, N44) 5" (127 mm) | 2 |
| 15 | C 26737 | WHEEL - gauge (K46, L46, M46, N46) 6" (152 mm) | 2 |
| 16 | 195- 533 | WASHER - 1/2" | 6 |
| 17 | C 25703 | LINK - lift, long (use on 444, 446, 448) 8-3/4" (220 mm) L.H. | 2 |
| 18 | 131- 938 | NUT - 3/8" NC hex lock flange | 2 |
| 19 | C 26107 | FRAME ASSEMBLY - mounting | 1 |
| 19 | C 17648 | BRACKET - front mounting (use C30168 for 648 loader) | 1 |
| 20 | C 16569 | BRACKET - idler | 1 |
| 21 | C 16575 | BRACKET ASSEMBLY - idler arm | 1 |
| 22 | C 17597 | BUSHING - idler arm | 2 |
| 23 | 113- 209 | BOLT - 3/8" x 1-1/2" NC hex | 2 |
| 24 | C 12264 | BUSHING - idler pulley | 2 |
| 25 | C 25370 | PULLEY - idler | 2 |
| 26 | 195- 525 | WASHER - 3/8" | 4 |
| 27 | 131- 1352 | NUT - lock 3/8" NC hex | 4 |
| 28 | C 21942 | SPRING - idler | 1 |
| 29 | C 14269 | NUT - belt tension | 1 |
| 30 | C 26890 | SCREW - idler adjust | 1 |
| 31 | 138- 2073 | PIN - roll 3/16" x 1-1/4" | 1 |
| 32 | 132- 318 | PIN - cotter | 1 |
| 33 | C 31575 | ROD - pivot | 1 |
| 34 | 132- 310 | PIN - cotter 1/8" x 1" | 8 |
| 35 | 113- 208 | BOLT - 3/8" x 1-1/4" NC hex | 2 |
| 36 | C 16573 | SPACER | 2 |
| 37 | C 26050 | FRAME - rear mounting | 1 |
| 38 | C 26033 | PIN - adjustment | 2 |
| 39 | 195- 533 | WASHER - 1/2" | 4 |

AUGER HOUSING, CHUTE CONTROL AND LIFT ASSEMBLY

Use for J, K, L, M, N, P, R (80) (84)



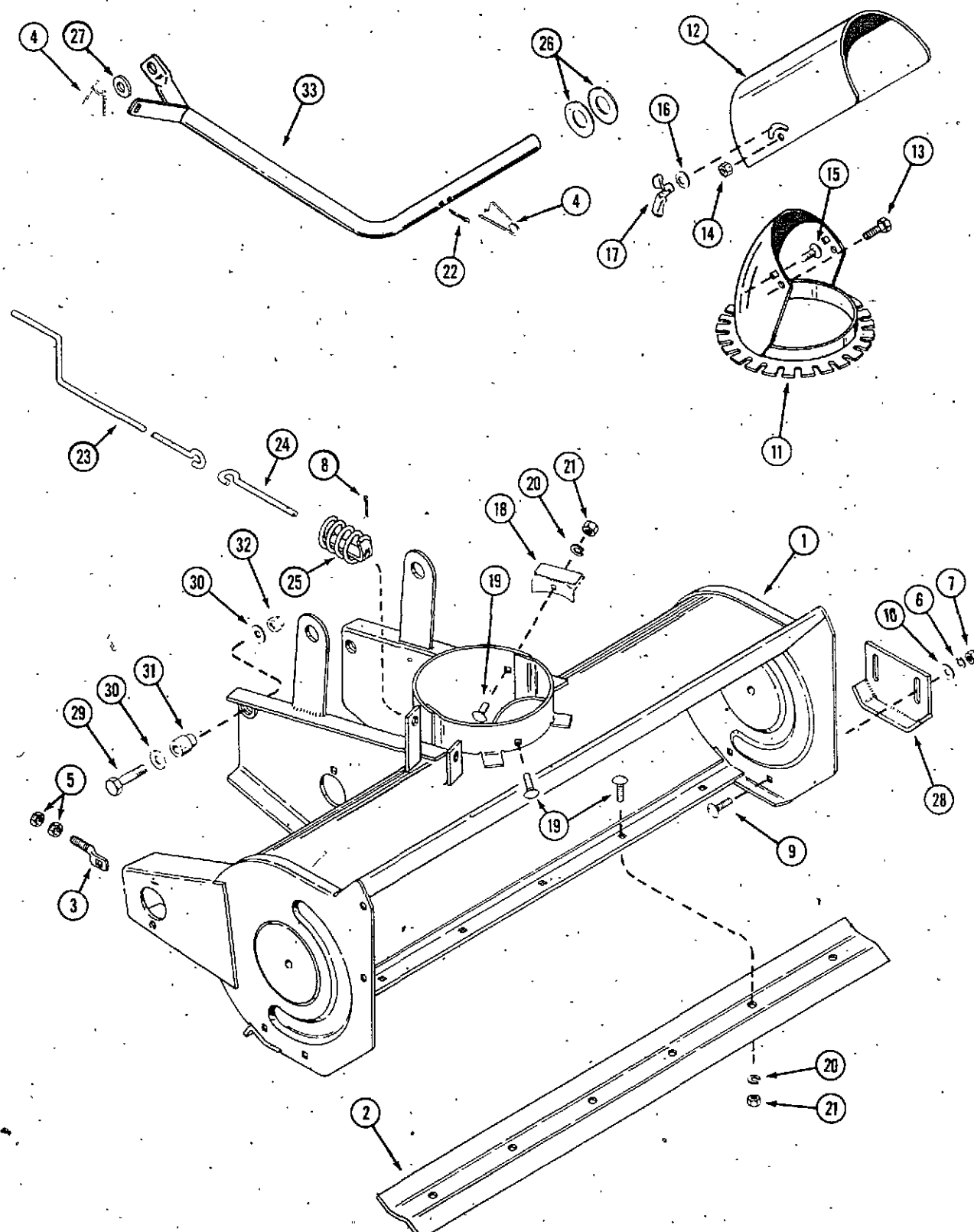
| REF. | PART NO. | DESCRIPTION | REQ'D |
|------|-----------|---|-------|
| 1 | NSS | HOUSING - auger 38" (J80 and K80) (Use C24719, C24640, C24643, C24644, 132-300) | 1 |
| 1 | NSS | HOUSING - auger 48" (J84 and K84) (order C24720, C24640, C24643, C24644, 132-300) | 1 |
| 1 | NSS | HOUSING - auger 38" (L80, M80) (Use C24719) | 1 |
| 1 | NSS | HOUSING - auger 48" (L84, M84) (Use C24720) | 1 |
| 1 | NSS* | HOUSING - auger 38" (N80, P80, R80) | 1 |
| 1 | NSS** | HOUSING - auger 48" (N84, P84, R84) | 1 |
| 2 | C 17776 | BLADE - snowblower (J, K, L, M, N, P, R84) | 1 |
| 2 | C 17878 | BLADE - snowblower (J, K, L, M, N, P, R80) | 1 |
| 3 | C 19734 | HUB - auger mounting (J, K and L80 - J, K and L84) | 2 |
| 4 | C 10898 | PIN - safety | 2 |
| 5 | 113- 206 | BOLT - 3/8" x 3/4" NC hex | 6 |
| 6 | 192- 21 | LOCK WASHER - 3/8" ZP | 11 |
| 7 | 129- 103 | NUT - 3/8" NC hex ZP | 5 |
| 8 | C 27822 | SPRING - rod, chute control (J80, J84, K80 and K84) | 1 |
| 9 | 111- 371 | BOLT - 3/8" x 1" NC round head, long square neck | 4 |
| 10 | 195- 525 | WASHER - 3/8" ZP | 8 |
| 11 | C 15248 | CHUTE | 1 |
| 12 | C 16940 | DEFLECTOR | 1 |
| 13 | 113- 1 | BOLT - 1/4" x 1/2" NC hex ZP | 2 |
| 14 | 131- 1102 | NUT - lock 1/4" NC hex ZP | 2 |
| 15 | 111- 340 | BOLT - 3/8" x 3/4" NC round head, short square neck | 3 |
| 16 | C 28263 | WASHER - dished 25/64 x 1" O.D. | 2 |
| 17 | C 22774 | WINGNUT - deflector locking | 2 |
| 18 | C 15334 | BRACKET - chute holddown | 3 |
| 19 | 111- 132 | BOLT - 5/16" x 3/4" NC round head, square neck | UAR |
| 20 | 192- 20 | LOCK WASHER - 5/16" ZP | UAR |
| 21 | 129- 102 | NUT - 5/16" NC hex ZP | UAR |
| 22 | 132- 332 | PIN - cotter | 1 |
| 23 | C 15244 | ROD - chute control (J80, J84, K80 and K84) | 1 |
| 24 | C 15277 | SPACER - (J80, J84, K80 and K84) | 1 |
| 25 | C 15240 | BRACKET - control rod (J80, J84, K80 and K84) | 1 |
| 26 | 132- 320 | PIN - cotter 3/32" x 3/4" (J80, J84, K80 and K84) | 3 |
| 27 | C 14583 | JOINT - block (J80, J84, K80 and K84) | 1 |
| 28 | C 17775 | SKID - shoe | 2 |
| 29 | 113- 421 | BOLT - 1/2" x 2" NC hex | 2 |
| 30 | 195- 533 | WASHER - 1/2" | 4 |
| 31 | C 18770 | BUSHING - (J, K, L80 - J, K, L84) | 2 |
| 31 | C 25580 | BUSHING - (M, N, P, R (80) - M, N, P, R (84)) | 2 |
| 32 | 131- 165 | NUT - lock 1/2" hex crown | 2 |
| 33 | C 14584 | CRANK - chute (J, K80 - J, K84) | 1 |
| 34 | C 31995 | ARM - lift | 1 |
| 35 | 195- 541 | WASHER - 21/32 x 5/16" ZP | 1 |
| 36 | 195- 2134 | WASHER - 1-3/16 x 2-1/4" ZP | 2 |
| 37 | C 24640 | COIL - chute control (L, M, N, P, R80 - L, M, N, P, R84) | 1 |
| 38 | C 24643 | ROD - chute control (L, M, N, P, R80 - L, M, N, P, R84) | 1 |
| 39 | C 24644 | CRANK - chute (L, M, N, P, R80 - L, M, N, P, R84) | 1 |
| 40 | 132- 300 | PIN - cotter 1/8" x 7/8" (L, M, N, P, R80 - L, M, N, P, R84) | 1 |
| 41 | C 25842 | HUB - auger mounting (M80, M84) | 2 |

*Use C31899, C32391, C29877 and 2 of (111-202, 129-163, 131-911)

**Use C31900, C32391, C29877 and 2 of (111-202, 129-163, 131-911)

AUGER, HOUSING, CHUTE CONTROL AND LIFT ASSEMBLY

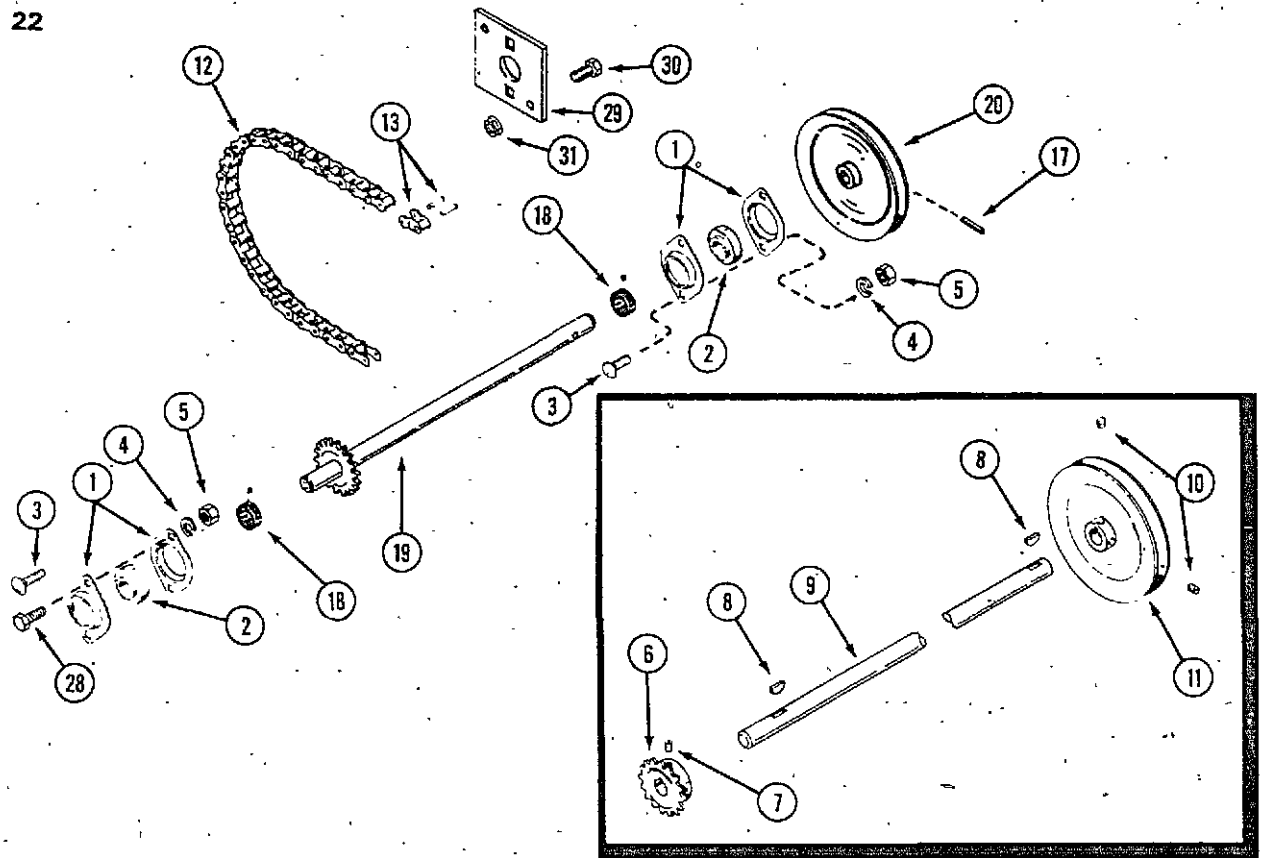
For S80, S84



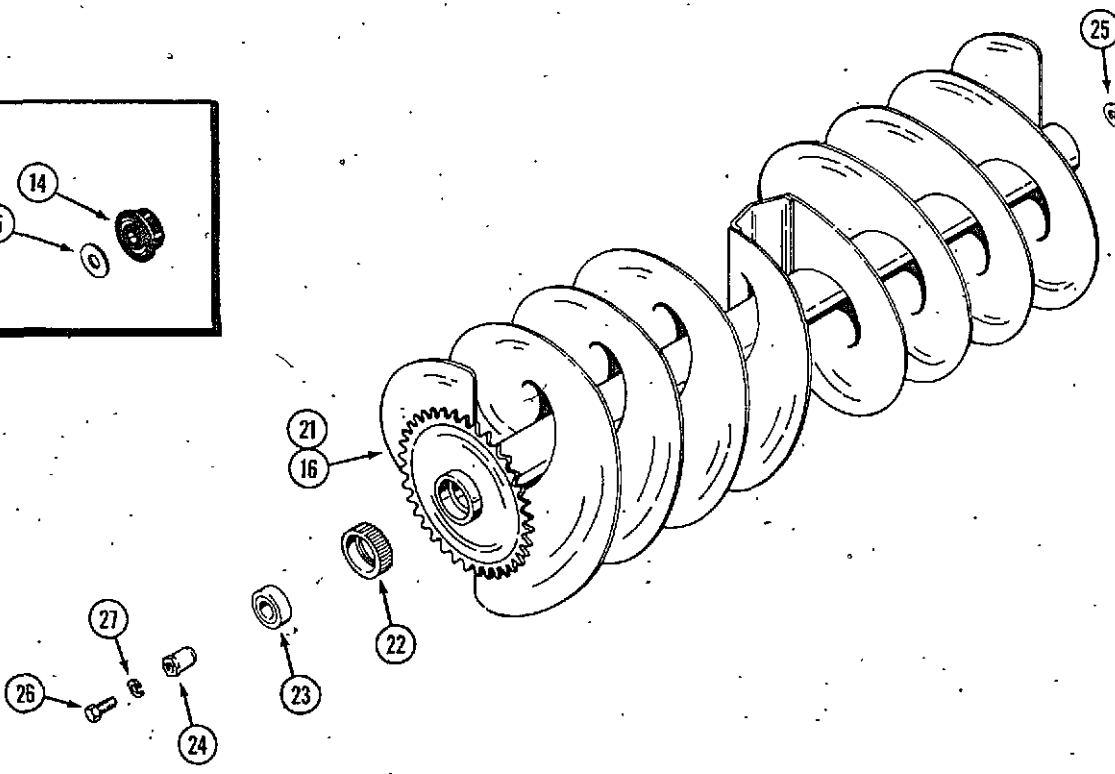
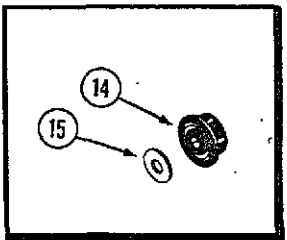
| REF | PART NO. | DESCRIPTION | REQ'D |
|-----|-----------|---|-------|
| 1 | NSS | HOUSING - auger 38" (S80) (use C31899, C32391) | 1 |
| 1 | NSS | HOUSING - auger 48" (S84) (use C31900, C32391) | 1 |
| 2 | C 17776 | BLADE - snowblower (S84) | 1 |
| 2 | C 17878 | BLADE - snowblower (S80) | 1 |
| 3 | C 29877 | SCREW - chain adjust | 1 |
| 4 | C 10898 | PIN - safety | 2 |
| 5 | 129- 163 | NUT - 3/8" - 24 lock | 2 |
| 6 | 192- 21 | LOCK WASHER - 3/8" ZP (early production) | 4 |
| 7 | 131- 938 | NUT - 3/8" NC hex ZP | 4 |
| 8 | 132- 300 | PIN - cotter 1/8" x 7/8" | 1 |
| 9 | 111- 371 | BOLT - 3/8" x 1" NC round head, long square neck | 4 |
| 9 | 111- 340 | BOLT - 3/8" - 16 x 3/4" carriage | 4 |
| 10 | 195- 525 | WASHER - 3/8" ZP | 4 |
| 11 | C 15248 | CHUTE | 1 |
| 12 | C 16940 | DEFLECTOR | 1 |
| 13 | 113- 1 | BOLT - 1/4" x 1/2" NC hex ZP | 2 |
| 14 | 131- 1102 | NUT - lock 1/4" NC hex ZP | 2 |
| 15 | 111- 340 | BOLT - 3/8" x 3/4" NC round head, short square neck | 2 |
| 16 | C 28263 | WASHER - dished 25/64 x 1" O.D. | 2 |
| 17 | C 22774 | WINGNUT - deflector locking | 2 |
| 18 | C 15334 | BRACKET - chute holddown | 3 |
| 19 | 111- 132 | BOLT - 5/16" x 3/4" NC round head, square neck | UAR |
| 20 | 192- 20 | LOCK WASHER - 5/16" ZP (early production) | UAR |
| 21 | 131- 911 | NUT - 5/16" NC hex ZP flange | UAR |
| 22 | 132- 332 | PIN - cotter | 1 |
| 23 | C 24644 | CRANK - chute | 1 |
| 24 | C 24643 | ROD - chute, control | 1 |
| 25 | C 24640 | COIL - chute control | 1 |
| 26 | 195- 2134 | WASHER - 1-3/16" x 2-1/4" ZP | 2 |
| 27 | 195- 541 | WASHER - 21/32" x 5/16" ZP | 1 |
| 28 | C 17775 | SKID - shoe | 2 |
| 29 | 113- 421 | BOLT - 1/2" x 2" NC hex | 2 |
| 30 | 195- 533 | WASHER - 1/2" | 4 |
| 31 | C 25580 | BUSHING - pivot | 2 |
| 32 | 131- 165 | NUT - lock 1/2" hex crown | 2 |
| 33 | C 31995 | ARM - lift | 1 |

C33228 conversion kit for 38"
 C33229 conversion kit for 48"
 to use on 3000, 4000 series tractors

NOTE: If this snowcaster has been converted to fit on 3000, 4000 series tractors, see model SB38G and SB48 snowcaster for parts.



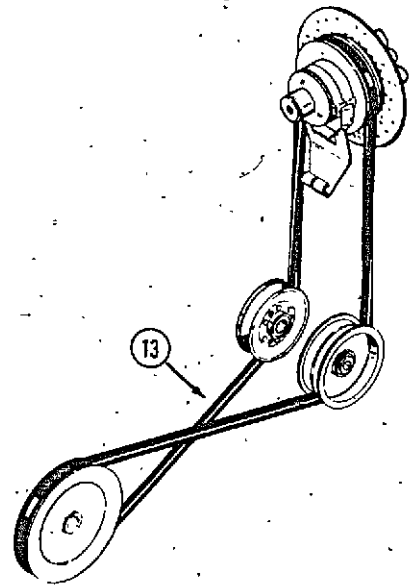
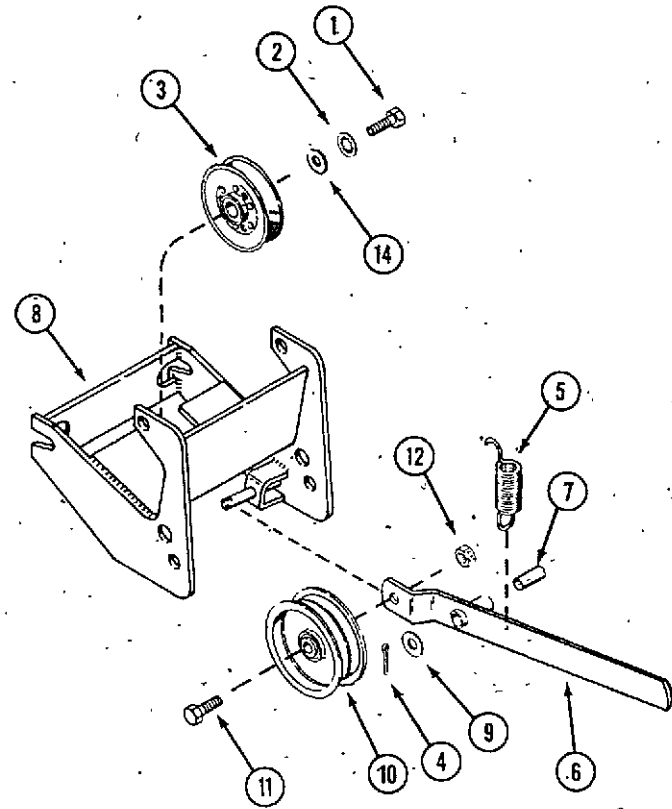
USED ON J80 PRIOR TO S/N F30897
 USED ON J84 PRIOR TO S/N G40059



AUGER AND DRIVE ASSEMBLY

| REF. | PART NO. | DESCRIPTION | REQ'D |
|------|-----------|--|-------|
| 1 | C 15514 | FLANGETTE - (J, K, L80 before S/N R11815 - J, K, L84 before S/N S13196) | 4 |
| 1 | C 28277 | FLANGETTE - (L, M, N, P, R, S80 S/N R11815 - L, M, N, P, R, S84 S/N S13196 and after) | 4 |
| 2 | C 28817 | BEARING - (L, M, N, P, R, S80 S/N R11815 - L, M, N, P, R, S84 S/N S13196 and after) | 2 |
| 2 | C 14419 | BEARING - shaft (includes item 18) (J, K, L80 before S/N R11815 - J, K, L84 before S/N S13196) | 2 |
| 3 | 111- 132 | BOLT - 5/16" x 3/4" NC round head, square neck, ZP | UAR |
| 4 | 192- 20 | LOCK WASHER - 5/16" ZP (early production) | 4 |
| 5 | 131- 911 | NUT - 5/16" NC hex ZP flange | 4 |
| 6 | C 14579 | SPROCKET - drive, 16 tooth (J80, used prior to S/N F30897) | 1 |
| 6 | C 14579 | SPROCKET - drive, 16 tooth (J84, used prior to S/N G40059) | 1 |
| 7 | 178- 858 | SETSCREW - 5/16" x 3/8" (J80, used prior to S/N F30897) | 2 |
| 7 | 178- 858 | SETSCREW - 5/16" x 3/8" (J84, used prior to S/N G40059) | 2 |
| 8 | 126- 16 | KEY - woodruff #9 (J80, used prior to S/N F30897) | 2 |
| 8 | 126- 16 | KEY - woodruff #9 (J84, used prior to S/N G40059) | 2 |
| 9 | C 17724 | SHAFT - drive (J84, used prior to S/N G40059) | 1 |
| 9 | C 17723 | SHAFT - drive (J80, used prior to S/N F30897) | 1 |
| 10 | 178- 858 | SETSCREW - 5/16" x 3/8" (J80, used prior to S/N F30897) | 2 |
| 10 | 178- 858 | SETSCREW - 5/16" x 3/8" (J84, used prior to S/N G40059) | 2 |
| 11 | C 16119 | PULLEY - drive shaft (J80, used prior to S/N F30897) | 1 |
| 11 | C 16119 | PULLEY - drive shaft (J84, used prior to S/N G40059) | 1 |
| 12 | C 18183 | CHAIN - auger drive 75 pitches #40 roller chain | 1 |
| | C 28982 | LINK - connecting #40 | 1 |
| | C 28984 | LINK - roller #40 | 2 |
| | C 28983 | LINK - offset #40 | 2 |
| 13 | C 28983 | LINK - offset #40 | 2 |
| 14 | NSS | BEARING - auger (J, K, L80 - J, K, L84) (use C29265) | 1 |
| 15 | 195- 545 | WASHER - spacer 13/16" (J, K, L80 - J, K, L84) | UAR |
| 16 | C 16108 | AUGER - 38" (J80, K80 and L80) | 1 |
| 16 | C 24378 | AUGER - 48" (J84, K84 and L84) | 1 |
| 17 | 138- 2040 | PIN - spirol 1/4" x 1-1/2" | 1 |
| 18 | NSS | COLLAR - locking (included with item 2) | 2 |
| 19 | C 31908 | SHAFT ASSEMBLY - drive (J, K, L, M, N, P, R, S84, used S/N G40059 and after) | 1 |
| 19 | C 31907 | SHAFT ASSEMBLY - drive (J, K, L, M, N, P, R, S80, used S/N F30897 and after) | 1 |
| 20 | C 19731 | PULLEY - drive shaft (J80, used S/N F30897 and after) | 1 |
| 20 | C 19731 | PULLEY - drive shaft (J84, used S/N G40059 and after) | 1 |
| 20 | C 31953 | PULLEY - drive shaft (K, L, M, N, P, R, S80 - K, L, M, N, P, R, S84) | 1 |
| 21 | C 25205 | AUGER - 38" (M, N, P, R, S80) includes C25840 | 1 |
| 21 | C 25853 | AUGER - 48" (M, N, P, R, S84) includes C25840 | 1 |
| 22 | C 25840 | SLEEVE - bearing (M, N, P, R, S80 - M, N, P, R, S84) | 2 |
| 23 | C 28971 | BEARING - auger (M, N, P, R, S80 - M, N, P, R, S84) | 2 |
| 24 | C 25841 | SHAFT - stub (M, N, P, R, S80 - M, N, P, R, S84) | 2 |
| 25 | 195- 522 | WASHER - spacer 3/8" (M, N, P, R, S80 - M, N, P, R, S84) | UAR |
| 26 | 121- 226 | BOLT - 3/8" x 1" NC hex (use lock sealant on threads) flange lock | 2 |
| 27 | 193- 68 | LOCK WASHER - 3/8" | 2 |
| 28 | 113- 102 | BOLT - 5/16" x 3/4" | 2 |
| 29 | C 32391 | BRACKET - bearing (S80, S84) | 1 |
| 30 | 113- 206 | BOLT - 3/8" - 16 x 3/4" | 2 |
| 31 | 131- 938 | NUT - flange lock 3/8" - 16 | 2 |

NOTE: If this snowcaster has been converted to fit on 3000, 4000 series tractors, see model SB38G and SB48 snowcaster for parts.



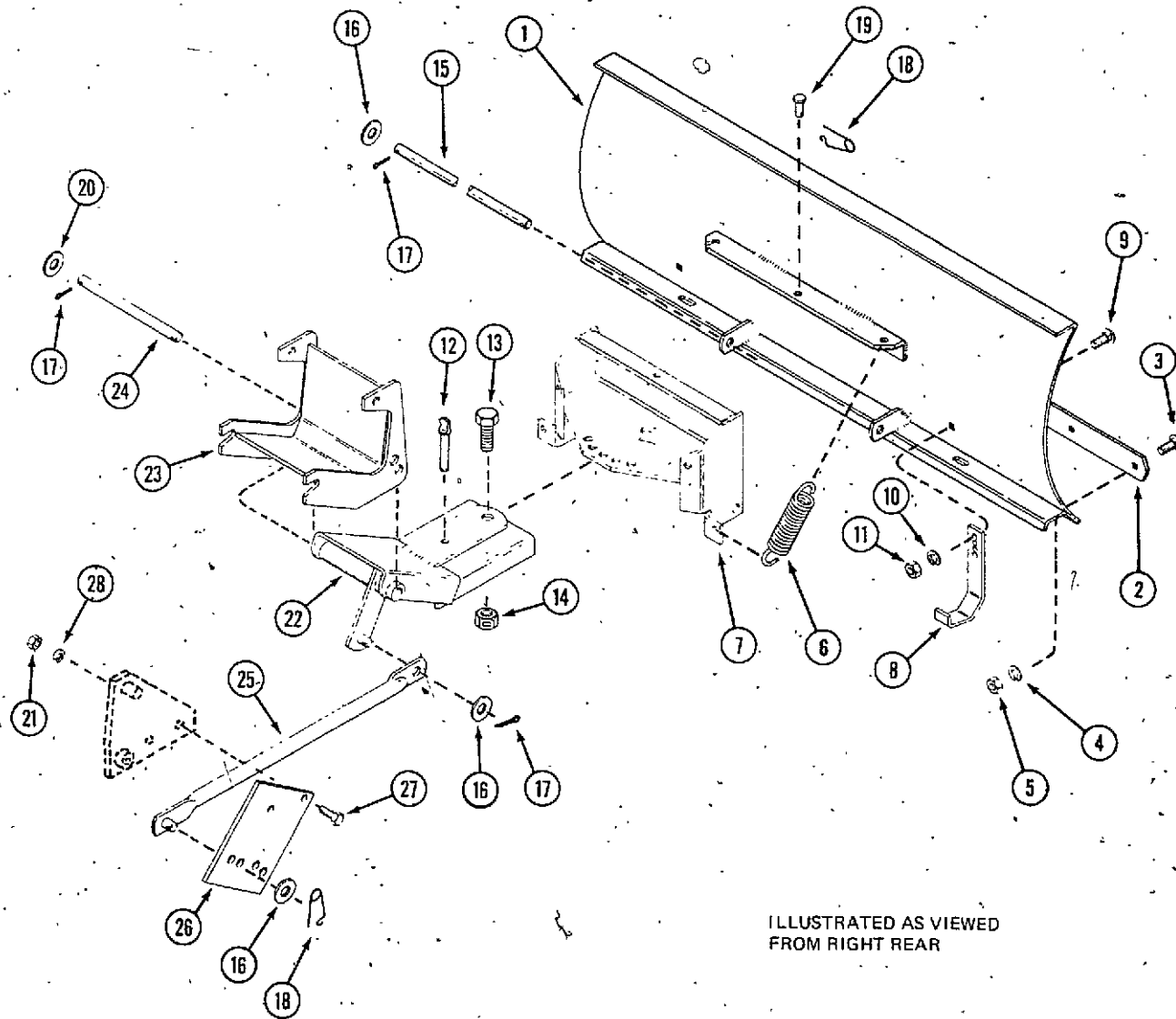
BELT ILLUSTRATION AS VIEWED FROM FRONT LEFT SIDE.

BELTS AND IDLER ASSEMBLY

| REF. | PART NO. | DESCRIPTION | REQ'D |
|------|-----------|--|-------|
| 1 | 113- 206 | BOLT - 3/8 x 3/4" NC hex ZP | 1 |
| 2 | 193- 68 | WASHER - 3/8" internal tooth | 1 |
| 3 | C 25370 | PULLEY - idler | 1 |
| 4 | 132- 318 | PIN - cotter | 1 |
| 5 | C 16870 | SPRING - idler | 1 |
| 6 | C 16853 | ARM - idler | 1 |
| 7 | C 16714 | BUSHING - idler arm | 1 |
| 8 | C 25565 | FRAME - idler (also use two C25580 for J, K, L80 - J, K, L84) | 1 |
| 9 | 195- 533 | WASHER - 1/2" ZP | 1 |
| 10 | C 26090 | PULLEY - backside idler | 1 |
| 11 | 113- 410 | BOLT - 1/2 x 1-3/4" NC hex ZP | 1 |
| 12 | 131- 1182 | NUT - lock 1/2" NC hex ZP | 1 |
| 13 | C 23949 | BELT - J80 and J84 (use with 200 series tractors) | 1 |
| 13 | C 23950 | BELT - J84 (use with 400 series tractors) | 1 |
| 13 | C 23538 | BELT - K, L, M, N, P, R, S80 - K, L, M, N, P, R, S84 (use with 200 series tractors) | 1 |
| 13 | C 23539 | BELT - K, L, M, N, P, R, S84 (use with 400 series tractors) | 1 |
| 14 | 195- 103 | WASHER - 3/8" | 1 |

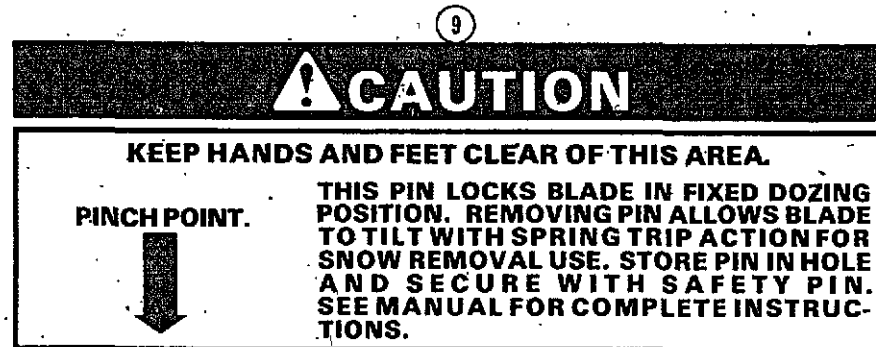
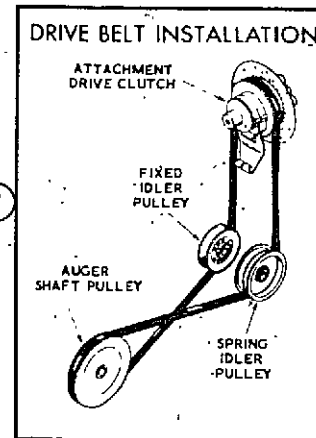
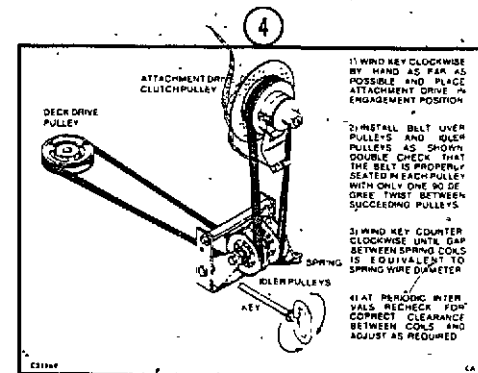
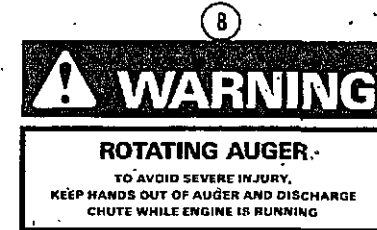
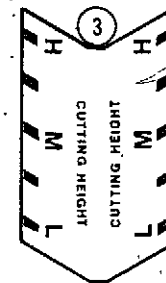
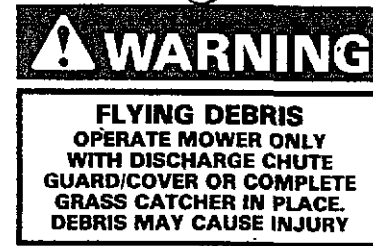
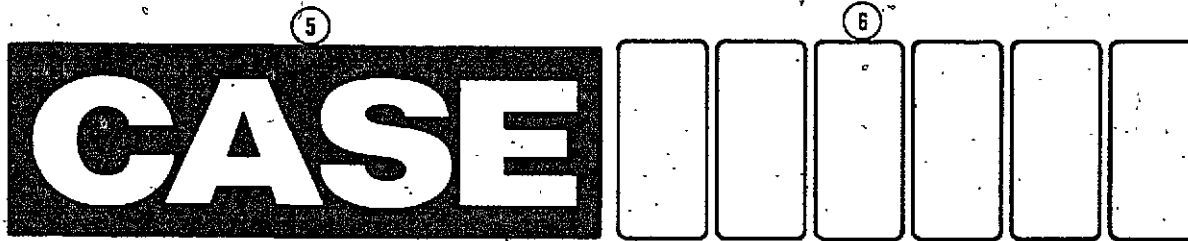
NOTE: If this snowcaster has been converted to fit on 3000, 4000 series tractors, see model SB38G and SB48 snowcaster for parts.

BLADE, BRACKET AND LIFT ASSEMBLY



ILLUSTRATED AS VIEWED FROM RIGHT REAR

| REF. | PART NO. | DESCRIPTION | REQ'D |
|------|-----------|--|-------|
| 1 | C 16524 | BLADE - 44" shown (J50, K50, L50) | 1 |
| 1 | C 16525 | BLADE - 54" (J54, K54, L54) | 1 |
| 2 | C 10871 | EDGE - 44" (J50, K50, L50) | 1 |
| 2 | C 14440 | EDGE - 54" (J54, K54, L54) | 1 |
| 3 | 111- 203 | BOLT - 5/16" x 1" NC rd. hd. square neck (J50, K50, L50) | 8 |
| 3 | 111- 203 | BOLT - 5/16" x 1" NC rd. hd. square neck (J54, K54, L54) | 9 |
| 4 | 192- 20 | LOCK WASHER - 5/16" (J50, K50, L50) | 8 |
| 4 | 192- 20 | LOCK WASHER - 5/16" (J54, K54, L54) | 9 |
| 5 | 129- 102 | NUT - 5/16" NC hex (J50, K50, L50) | 8 |
| 5 | 129- 102 | NUT - 5/16" NC hex (J54, K54, L54) | 9 |
| 6 | C 16805 | SPRING - blade | 2 |
| 7 | C 22741 | BRACKET - pivot | 1 |
| 8 | C 25876 | SKID | 2 |
| 9 | 111- 371 | BOLT - 3/8" x 1" NC rd. hd. square neck | 2 |
| 10 | 192- 21 | LOCK WASHER - 3/8" | 2 |
| 11 | 129- 103 | NUT - 3/8" NC hex | 2 |
| 12 | C 10888 | PIN - lock | 1 |
| 13 | 113- 713 | BOLT - 3/4" x 1-3/4" NC hex | 1 |
| 14 | 131- 1112 | NUT - lock, 3/4" NC hex | 1 |
| 15 | C 16529 | ROD - front pivot | 1 |
| 16 | 195- 541 | WASHER - 5/8" | 4 |
| 17 | 132- 310 | PIN - cotter 1/8" x 1" | 5 |
| 18 | C 10898 | PIN - safety | 2 |
| 19 | 141- 56 | PIN - clevis 1/2" x 1-3/8" | 1 |
| 20 | C 12975 | WASHER - 3/4" ID x 1-1/8" | 2 |
| 21 | 129- 105 | NUT - 1/2" hex | 2 |
| 22 | C 23702 | BRACKET - center push | 1 |
| 23 | C 25571 | BRACKET - rear support | 1 |
| 24 | C 23713 | ROD - rear pivot | 1 |
| 25 | C 23841 | ROD - lift | 1 |
| 26 | C 25382 | PLATE - adapter, lift bracket | 1 |
| 27 | 113- 417 | BOLT - 1/2" x 1-1/4" hex | 2 |
| 28 | 192- 23 | LOCK WASHER - 1/2" | 2 |



DECALS

| REF. | PART NO. | DESCRIPTION | REQ'D |
|------|-----------|--|-------|
| 1 | C 31087 | DECAL - "DANGER" spinning blade (mower) | 1 |
| 2 | C 12519 | DECAL - "NO STEP" (mower) | 2 |
| 3 | 321- 6210 | DECAL - height adjust (mower) | 1 |
| 4 | C 31494 | DECAL - belt installation (mower) | 1 |
| 5 | 321- 6379 | DECAL - "CASE" (snowcaster, blade) | 1 |
| 6 | 321- 6380 | DECAL - white tread (snowcaster, blade) | UAR |
| 7 | C 17462 | DECAL - belt installation (snowcaster) | 1 |
| 8 | 321- 4199 | DECAL - "WARNING" rotating auger (snowcaster) | 1 |
| 9 | 321- 3932 | DECAL - "CAUTION" pinch point (blade) | 1 |
| 10 | NSS | DECAL - "CASE" (early production) (use 321-6379) | 1 |
| 11 | C 27199 | DECAL - "HI CAST 38" (P80) | 1 |
| 11 | C 27200 | DECAL - "HI CAST 48" (P84) shown | 1 |
| 12 | C 27202 | DECAL - blade 44" (K50) shown | 1 |
| 12 | C 27203 | DECAL - blade 54" (K54) | 1 |
| 13 | C 31086 | DECAL - "Flying Debris" (N40, N44, N46) | 1 |

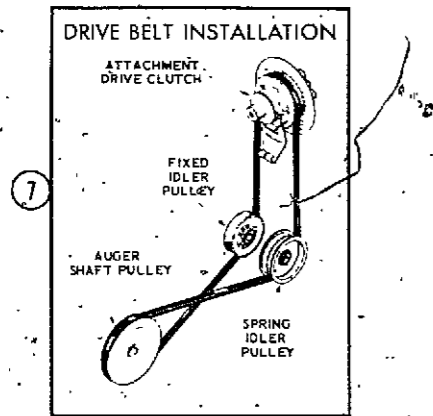
NOTE: Decals may be different than illustrated. Substitutes may be supplied when original decals are not available.

INGERSOLL



hi cast 38

hi cast 48



WARNING
ROTATING AUGER
 TO AVOID SEVERE INJURY,
 KEEP HANDS OUT OF AUGER AND DISCHARGE
 CHUTE WHILE ENGINE IS RUNNING

44

54

CAUTION
 KEEP HANDS AND FEET CLEAR OF THIS AREA.
PINCH POINT.
 THIS PIN LOCKS BLADE IN FIXED DOZING POSITION. REMOVING PIN ALLOWS BLADE TO TILT WITH SPRING TRIP ACTION FOR SNOW REMOVAL USE. STORE PIN IN HOLE AND SECURE WITH SAFETY PIN. SEE MANUAL FOR COMPLETE INSTRUCTIONS.

MODEL L50, L54 UTILITY BLADE
 MODEL R80, R84, S80, S84 SNOWCASTER

DECALS

| REF. | PART NO. | DESCRIPTION | REQ'D |
|------|-----------|--|-------|
| 1 | 321- 3932 | DECAL - "Caution" pinch point (L50, L54) | 1 |
| 2 | C 31047 | DECAL - blade 44" (L50) | 1 |
| 3 | C 31048 | DECAL - blade 54" (L54) | 1 |
| 4 | C 31328 | DECAL - stripe (cut to length) | 1 |
| 5 | C 31989 | DECAL - "Ingersoll" | 1 |
| 6 | 321- 4199 | DECAL - "Warning" (R80, R84, S80, S84) | 1 |
| 7 | C 17462 | DECAL - belt installation (R80, R84, S80, S84) | 1 |
| 8 | C 27938 | DECAL - "HI CAST 38" (R80, S80) | 1 |
| 9 | C 27939 | DECAL - "HI CAST 48" (R84, S84) | 1 |

NOTE: Decals may be different than illustrated. Substitutes may be supplied when original decals are not available.

NUMERICAL INDEX

| PART NO. | PAGE NO. | REF. NO. | PART NO. | PAGE NO. | REF. NO. |
|----------|----------|----------|----------|----------|----------|
| C10463 | 15 | 25 | C16119 | 23 | 11 |
| C10482 | 15 | 7 | C16516 | 11 | 24 |
| C10482 | 17 | 7 | C16516 | 13 | 26 |
| C10810 | 11 | 11 | C16524 | 27 | 1 |
| C10810 | 13 | 11 | C16525 | 27 | 1 |
| C10821 | 15 | 41 | C16529 | 27 | 15 |
| C10821 | 17 | 10 | C16569 | 15 | 20 |
| C10871 | 27 | 2 | C16569 | 17 | 20 |
| C10888 | 27 | 12 | C16573 | 15 | 36 |
| C10898 | 15 | 42 | C16573 | 17 | 36 |
| C10898 | 17 | 11 | C16575 | 15 | 21 |
| C10898 | 19 | 4 | C16575 | 17 | 21 |
| C10898 | 21 | 4 | C16714 | 25 | 7 |
| C10898 | 27 | 18 | C16745 | 15 | 14 |
| C10942 | 11 | 4 | C16745 | 17 | 14 |
| C10942 | 13 | 4 | C16805 | 27 | 6 |
| C12251 | 11 | 16 | C16824 | 15 | 38 |
| C12251 | 13 | 16 | C16853 | 25 | 6 |
| C12264 | 15 | 24 | C16870 | 25 | 5 |
| C12264 | 17 | 24 | C16940 | 19 | 12 |
| C12519 | 29 | 2 | C16940 | 21 | 12 |
| C12975 | 27 | 20 | C17048 | 15 | 48 |
| C14269 | 15 | 29 | C17462 | 29 | 7 |
| C14269 | 17 | 29 | C17462 | 31 | 7 |
| C14419 | 23 | 2 | C17597 | 15 | 22 |
| C14440 | 27 | 2 | C17597 | 17 | 22 |
| C14579 | 23 | 6 | C17648 | 15 | 19 |
| C14583 | 19 | 27 | C17648 | 17 | 19 |
| C14584 | 19 | 33 | C17666 | 11 | 1 |
| C14768 | 11 | 20 | C17666 | 13 | 1 |
| C14768 | 13 | 20 | C17686 | 15 | 43 |
| C14768 | 15 | 11 | C17723 | 23 | 9 |
| C14886 | 13 | 8 | C17724 | 23 | 9 |
| C14892 | 5 | 13 | C17775 | 19 | 28 |
| C14932 | 15 | 2 | C17775 | 21 | 28 |
| C14932 | 17 | 2 | C17776 | 19 | 2 |
| C15240 | 19 | 25 | C17776 | 21 | 2 |
| C15244 | 19 | 23 | C17878 | 19 | 2 |
| C15248 | 19 | 11 | C17878 | 21 | 2 |
| C15248 | 21 | 11 | C18183 | 23 | 12 |
| C15277 | 19 | 24 | C18315 | 15 | 44 |
| C15334 | 19 | 18 | C18315 | 17 | 13 |
| C15334 | 21 | 18 | C18315 | 17 | 13 |
| C15514 | 23 | 1 | C18770 | 19 | 31 |
| C15560 | 5 | 17 | C18921 | 5 | |
| C15560 | 7 | 12 | C18921 | 7 | |
| C15561 | 5 | 17 | C19412 | 15 | 47 |
| C15561 | 7 | 12 | C19731 | 23 | 20 |
| C15562 | 5 | 17 | C19734 | 19 | 3 |
| C15562 | 7 | 12 | C20005 | 15 | 5 |
| C15590 | 5 | | C20005 | 17 | 5 |
| C15604 | 7 | | C21580 | 13 | 25 |
| C15604 | 11 | 7 | C21581 | 11 | 12 |
| C15604 | 13 | 7 | C21581 | 13 | 12 |
| C15615 | 11 | 15 | C21942 | 5 | 22 |
| C15615 | 13 | 15 | C21942 | 15 | 28 |
| C15634 | 5 | 6 | C21942 | 17 | 28 |
| C15639 | 5 | 6 | C22707 | 5 | 2 |
| C15640 | 5 | 6 | C22707 | 7 | 2 |
| C15675 | 5 | 4 | C22708 | 5 | 2 |
| C15763 | 11 | 6 | C22708 | 7 | 2 |
| C15763 | 13 | 6 | C22741 | 27 | 7 |
| C15935 | 5 | 19 | C22774 | 19 | 17 |
| C15935 | 15 | 9 | C22774 | 21 | 17 |
| C15935 | 17 | 9 | C23210 | 7 | 2 |
| C15936 | 7 | 14 | C23358 | 5 | 20 |
| C15963 | 11 | 15 | C23358 | 7 | 15 |
| C16108 | 23 | 16 | C23359 | 5 | 20 |

| PART NO. | PAGE NO. | REF. NO. | PART NO. | PAGE NO. | REF. NO. |
|----------|----------|----------|----------|----------|----------|
| C23359 | 7 | 15 | C23359 | 7 | 15 |
| C23538 | 25 | 13 | C23538 | 25 | 13 |
| C23539 | 25 | 13 | C23539 | 25 | 13 |
| C23702 | 27 | 22 | C23702 | 27 | 22 |
| C23713 | 27 | 24 | C23713 | 27 | 24 |
| C23807 | 5 | 20 | C23807 | 5 | 20 |
| C23807 | 7 | 15 | C23807 | 7 | 15 |
| C23808 | 5 | 20 | C23808 | 5 | 20 |
| C23808 | 7 | 15 | C23808 | 7 | 15 |
| C23810 | 5 | 2 | C23810 | 5 | 2 |
| C23810 | 5 | 20 | C23810 | 5 | 20 |
| C23810 | 7 | 15 | C23810 | 7 | 15 |
| C23841 | 27 | 25 | C23841 | 27 | 25 |
| C23949 | 25 | 13 | C23949 | 25 | 13 |
| C23950 | 25 | 13 | C23950 | 25 | 13 |
| C24378 | 23 | 16 | C24378 | 23 | 16 |
| C24441 | 11 | 8 | C24441 | 11 | 8 |
| C24442 | 11 | 8 | C24442 | 11 | 8 |
| C24443 | 13 | 24 | C24443 | 13 | 24 |
| C24640 | 19 | 37 | C24640 | 19 | 37 |
| C24640 | 21 | 25 | C24640 | 21 | 25 |
| C24643 | 19 | 38 | C24643 | 19 | 38 |
| C24643 | 21 | 24 | C24643 | 21 | 24 |
| C24644 | 19 | 39 | C24644 | 19 | 39 |
| C24644 | 21 | 23 | C24644 | 21 | 23 |
| C24707 | 15 | 1 | C24707 | 15 | 1 |
| C24708 | 15 | 1 | C24708 | 15 | 1 |
| C24709 | 15 | 1 | C24709 | 15 | 1 |
| C25080 | 11 | 17 | C25080 | 11 | 17 |
| C25080 | 13 | 17 | C25080 | 13 | 17 |
| C25205 | 23 | 21 | C25205 | 23 | 21 |
| C25370 | 15 | 25 | C25370 | 15 | 25 |
| C25370 | 17 | 25 | C25370 | 17 | 25 |
| C25370 | 25 | 3 | C25370 | 25 | 3 |
| C25382 | 27 | 26 | C25382 | 27 | 26 |
| C25418 | 15 | | C25418 | 15 | |
| C25541 | 11 | 27 | C25541 | 11 | 27 |
| C25541 | 13 | 29 | C25541 | 13 | 29 |
| C25543 | 11 | 28 | C25543 | 11 | 28 |
| C25543 | 13 | 30 | C25543 | 13 | 30 |
| C25565 | 25 | 8 | C25565 | 25 | 8 |
| C25571 | 27 | 23 | C25571 | 27 | 23 |
| C25580 | 19 | 31 | C25580 | 19 | 31 |
| C25580 | 21 | 31 | C25580 | 21 | 31 |
| C25702 | 15 | 4 | C25702 | 15 | 4 |
| C25702 | 17 | 4 | C25702 | 17 | 4 |
| C25703 | 15 | 45 | C25703 | 15 | 45 |
| C25703 | 17 | 17 | C25703 | 17 | 17 |
| C25840 | 23 | 22 | C25840 | 23 | 22 |
| C25841 | 23 | 24 | C25841 | 23 | 24 |
| C25842 | 19 | 41 | C25842 | 19 | 41 |
| C25853 | 23 | 21 | C25853 | 23 | 21 |
| C25876 | 27 | 8 | C25876 | 27 | 8 |
| C26033 | 17 | 38 | C26033 | 17 | 38 |
| C26044 | 17 | 12 | C26044 | 17 | 12 |
| C26047 | 17 | 1 | C26047 | 17 | 1 |
| C26048 | 17 | 1 | C26048 | 17 | 1 |
| C26049 | 17 | 1 | C26049 | 17 | 1 |
| C26050 | 17 | 37 | C26050 | 17 | 37 |
| C26090 | 25 | 10 | C26090 | 25 | 10 |
| C26107 | 17 | | C26107 | 17 | |
| C26485 | 5 | | C26485 | 5 | |
| C26485 | 7 | | C26485 | 7 | |
| C26736 | 15 | 15 | C26736 | 15 | 15 |
| C26736 | 17 | 15 | C26736 | 17 | 15 |
| C26737 | 15 | 15 | C26737 | 15 | 15 |
| C26737 | 17 | 15 | C26737 | 17 | 15 |
| C26809 | 5 | 3 | C26809 | 5 | 3 |

| PART NO. | PAGE NO. | REF. NO. | PART NO. | PAGE NO. | REF. NO. |
|----------|----------|----------|----------|----------|----------|
| C26809 | 7 | 3 | C26809 | 7 | 3 |
| C26810 | 5 | 3 | C26810 | 5 | 3 |
| C26810 | 7 | 3 | C26810 | 7 | 3 |
| C26811 | 5 | 3 | C26811 | 5 | 3 |
| C26811 | 7 | 3 | C26811 | 7 | 3 |
| C26890 | 15 | 30 | C26890 | 15 | 30 |
| C26890 | 17 | 30 | C26890 | 17 | 30 |
| C27199 | 29 | 11 | C27199 | 29 | 11 |
| C27200 | 29 | 11 | C27200 | 29 | 11 |
| C27202 | 29 | 12 | C27202 | 29 | 12 |
| C27203 | 29 | 12 | C27203 | 29 | 12 |
| C27225 | 17 | 4 | C27225 | 17 | 4 |
| C27822 | 19 | 8 | C27822 | 19 | 8 |
| C27938 | 31 | 8 | C27938 | 31 | 8 |
| C27939 | 31 | 9 | C27939 | 31 | 9 |
| C28263 | 19 | 16 | C28263 | 19 | 16 |
| C28263 | 21 | 16 | C28263 | 21 | 16 |
| C28277 | 23 | 1 | C28277 | 23 | 1 |
| C28455 | 7 | 1 | C28455 | 7 | 1 |
| C28463 | 7 | 1 | C28463 | 7 | 1 |
| C28470 | 7 | 1 | C28470 | 7 | 1 |
| C28817 | 23 | 2 | C28817 | 23 | 2 |
| C28971 | 11 | 2 | C28971 | 11 | 2 |
| C28971 | 13 | 2 | C28971 | 13 | 2 |
| C28971 | 23 | 23 | C28971 | 23 | 23 |
| C28972 | 11 | 3 | C28972 | 11 | 3 |
| C28972 | 11 | 29 | C28972 | 11 | 29 |
| C28972 | 13 | 3 | C28972 | 13 | 3 |
| C28972 | 13 | 31 | C28972 | 13 | 31 |
| C28976 | 5 | 10 | C28976 | 5 | 10 |
| C28977 | 9 | 11 | C28977 | 9 | 11 |
| C28982 | 23 | | C28982 | 23 | |
| C28983 | 23 | 13 | C28983 | 23 | 13 |
| C28984 | 23 | | C28984 | 23 | |
| C29877 | 21 | 3 | C29877 | 21 | 3 |
| C30841 | 7 | 4 | C30841 | 7 | 4 |
| C31047 | 31 | 2 | C31047 | 31 | 2 |
| C31048 | 31 | 3 | C31048 | 31 | 3 |
| C31086 | 29 | 13 | C31086 | 29 | 13 |
| C31087 | 29 | 1 | C31087 | 29 | 1 |
| C31328 | 31 | 4 | C31328 | 31 | 4 |
| C31494 | 5 | 23 | C31494 | 5 | 23 |
| C31494 | 29 | 4 | C31494 | 29 | 4 |
| C31500 | 9 | 3 | C31500 | 9 | 3 |
| C31501 | 9 | 4 | C31501 | 9 | 4 |
| C31575 | 15 | 33 | C31575 | 15 | 33 |
| C31575 | 17 | 33 | C31575 | 17 | 33 |
| C31606 | 11 | 23 | C31606 | 11 | 23 |
| C31606 | 13 | 23 | C31606 | 13 | 23 |
| C31907 | 23 | 19 | C31907 | 23 | 19 |
| C31908 | 23 | 19 | C31908 | 23 | 19 |
| C31953 | 23 | 20 | C31953 | 23 | 20 |
| C31989 | 31 | 5 | C31989 | 31 | 5 |
| C31995 | 19 | 34 | C31995 | 19 | 34 |
| C31995 | 21 | 33 | C31995 | 21 | 33 |
| C32391 | 23 | 29 | C32391 | 23 | 29 |
| C33139 | 9 | | C33139 | 9 | |
| C33140 | 9 | | C33140 | 9 | |
| C33141 | 9 | | C33141 | 9 | |
| C33142 | 9 | | C33142 | 9 | |
| C33143 | 9 | | C33143 | 9 | |
| C33144 | 9 | 1 | C33144 | 9 | 1 |
| C33145 | 9 | 2 | C33145 | 9 | 2 |
| C33146 | 9 | 2 | C33146 | 9 | 2 |
| C33156 | 9 | 9 | C33156 | 9 | 9 |
| C33157 | 9 | 18 | C33157 | 9 | 18 |
| 111-132 | 5 | 18 | 111-132 | 5 | 18 |
| 111-132 | 7 | 13 | 111-132 | 7 | 13 |

NUMERICAL INDEX

| PART NO. | PAGE NO. | REF. NO. | PART NO. | PAGE NO. | REF. NO. |
|----------|----------|----------|----------|----------|----------|
| 111-132 | 9 | 7 | 111-132 | 9 | 7 |
| 111-132 | 9 | 13 | 111-132 | 9 | 13 |
| 111-132 | 19 | 19 | 111-132 | 19 | 19 |
| 111-132 | 21 | 19 | 111-132 | 21 | 19 |
| 111-132 | 23 | 3 | 111-132 | 23 | 3 |
| 111-203 | 15 | 10 | 111-203 | 15 | 10 |
| 111-203 | 27 | 3 | 111-203 | 27 | 3 |
| 111-340 | 19 | 15 | 111-340 | 19 | 15 |
| 111-340 | 21 | 9 | 111-340 | 21 | 9 |
| 111-340 | 21 | 15 | 111-340 | 21 | 15 |
| 111-366 | 11 | 25 | 111-366 | 11 | 25 |
| 111-366 | 13 | 27 | 111-366 | 13 | 27 |
| 111-371 | 5 | 14 | 111-371 | 5 | 14 |
| 111-371 | 7 | 9 | 111-371 | 7 | 9 |
| 111-371 | 11 | 18 | 111-371 | 11 | 18 |
| 111-371 | 13 | 18 | 111-371 | 13 | 18 |
| 111-371 | 19 | 9 | 111-371 | 19 | 9 |
| 111-371 | 21 | 9 | 111-371 | 21 | 9 |
| 111-371 | 27 | 9 | 111-371 | 27 | 9 |
| 111-375 | 9 | 5 | 111-375 | 9 | 5 |
| 113-1 | 19 | 13 | 113-1 | 19 | 13 |
| 113-1 | 21 | 13 | 113-1 | 21 | 13 |
| 113-102 | 5 | 7 | 113-102 | 5 | 7 |
| 113-102 | 23 | 28 | 113 | | |

NUMERICAL INDEX

| PART NO. | PAGE NO. | REF. NO. |
|-------------|-------------|-------------|
| 195-533 | 15 | 46 |
| 195-533 | 17 | 16 |
| 195-533 | 17 | 39 |
| 195-533 | 19 | 30 |
| 195-533 | 21 | 30 |
| 195-533 | 25 | 9 |
| 195-541 | 9 | 12 |
| 195-541 | 19 | 35 |
| 195-541 | 21 | 27 |
| 195-541 | 27 | 16 |
| 195-545 | 23 | 15 |
| 195-2134 | 19 | 36 |
| 195-2134 | 21 | 26 |
| 195-2175 | 15 | 12 |
| 321-3932 | 29 | 9 |
| 321-3932 | 31 | 1 |
| 321-4199 | 29 | 8 |
| 321-4199 | 31 | 6 |
| 321-6210 | 29 | 3 |
| 321-6379 | 29 | 5 |
| 321-6380 | 29 | 6 |

INGERSOLL
Ingersoll Equipment Co., Inc.