

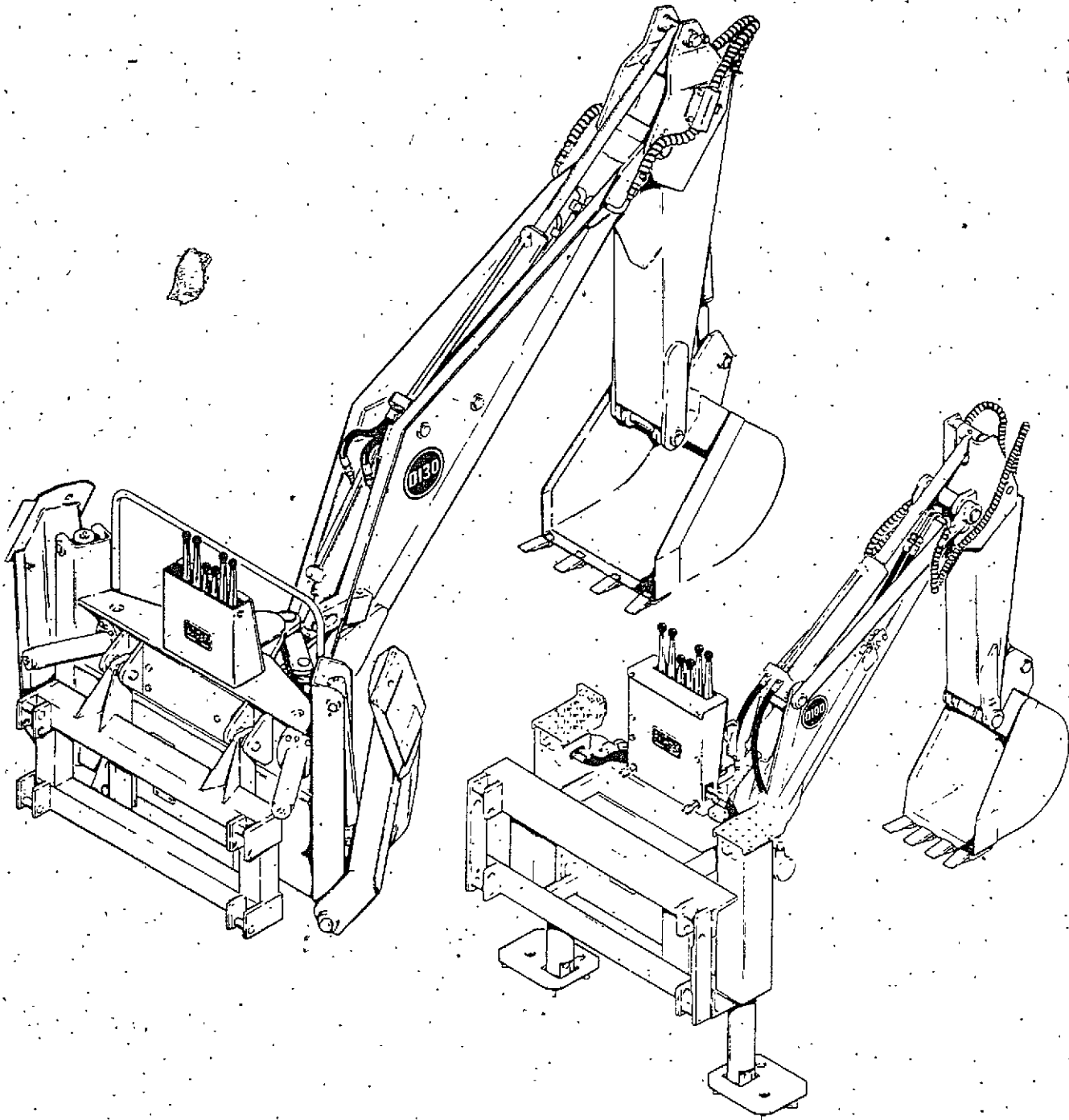
REVISION RECORD LOG

REVISION NO.	DATE INSERTED
1.	
2.	
3.	
4.	
5.	

D100. & D130 BACKHOES

Parts Catalog B1275

Note: Discard parts catalog A1275.



ALPHABETICAL INDEX

	PAGE	GRID
Boom	33	G8
Buckets	35	A10
Cylinders -		
Boom	47-59	B8-C6
Bucket	47-59	B8-C6
Dipper Arm	47-59	B8-C6
Stabilizer	45	B6
Swing	45	B6
Decals	33-37-41	A8-A12-B2
Frames - main	31	A6
Hydraulic circuits -		
Boom, Dipper Arm and		
Bucket Circuits	39-43	A14-B4
Swing and Stabilizer Circuits	37-41	A12-B2
King Post (swing tower)	31	A6
Levers - control	37-41	A12-B2
Stabilizer legs	31	A6
Swing Towers (King Post)	31	A6
Transport links	33	A8
Valve - Backhoe Control	37-41-67	A12-B2, C8-C10

NOTE: See grid G2 for - B98 Hydraulic Blower
See grid E2 for - BH750 WD Backhoe



Indexes

This Parts Catalog is arranged for easy identification of Genuine CASE Service Parts. An alphabetical index is provided at the front of this Catalog to locate the major groups or assemblies. A numerical index at the rear of the Catalog gives the part numbers and the pages on which they are described.

Illustrations

All parts are illustrated in "Exploded Views" which show the individual parts in their normal relationship to each other. Reference numbers are used in the illustrations. These numbers correspond to those in the "Reference Number" column and are followed by the part number, description and quantity required.

Indented Description

Indented parts in the descriptive list are a part of the preceding assembly or sub-assembly.

The quantity shown in the "Number Required" column is the number of parts used on a machine except where parts are indented in descriptive list. In this case the quantity shown is the number required for the preceding assembly or sub-assembly.

REF.	PART NO.	DESCRIPTION	REQ'D
	A 55159	CYLINDER ASSY - rear steering	1
28	A 56208	SOCKET ASSY - rear cylinder	1
29	A 55956	PLUG - adjusting, socket assy	1
30	A 55957	SEAT - socket ball	2
31	A 56210	SPRING - socket	1
32	A 56209	SEAT - socket spring	1
33	G 45175	CLAMP ASSY - socket assy	1
	16- 836	BOLT - 1/2" x 2-1/4" N.F.hex.	1
34	132- 104	PIN - cotter, 3/16" x 3"	1
35	A 55889	STUD - ball, socket & cylinder	2
36	13- 410	BOLT - 1/4" x 5/8" N.C., hex.	4
37	92- 4	LOCKWASHER - 1/4" SAE	4

Terms "Right Hand" and "Left Hand"

"Right Hand" and "Left Hand" sides of this machine are determined by standing at the rear of the unit and facing in the direction of forward travel.

Orders

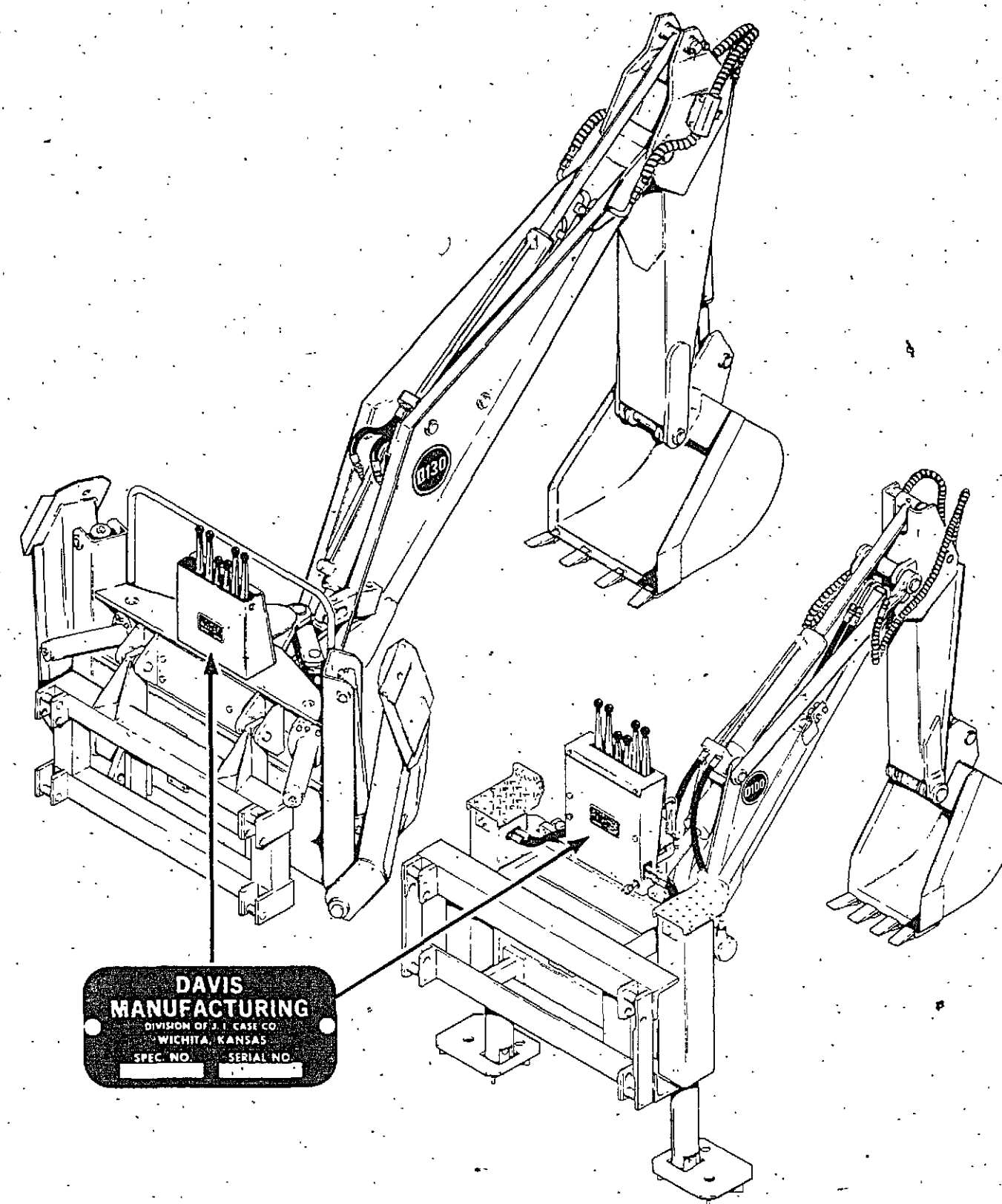
Orders should plainly specify correct part number, full description, quantity required, machine model and engine model, machine and engine serial numbers, method of shipment and shipping address.

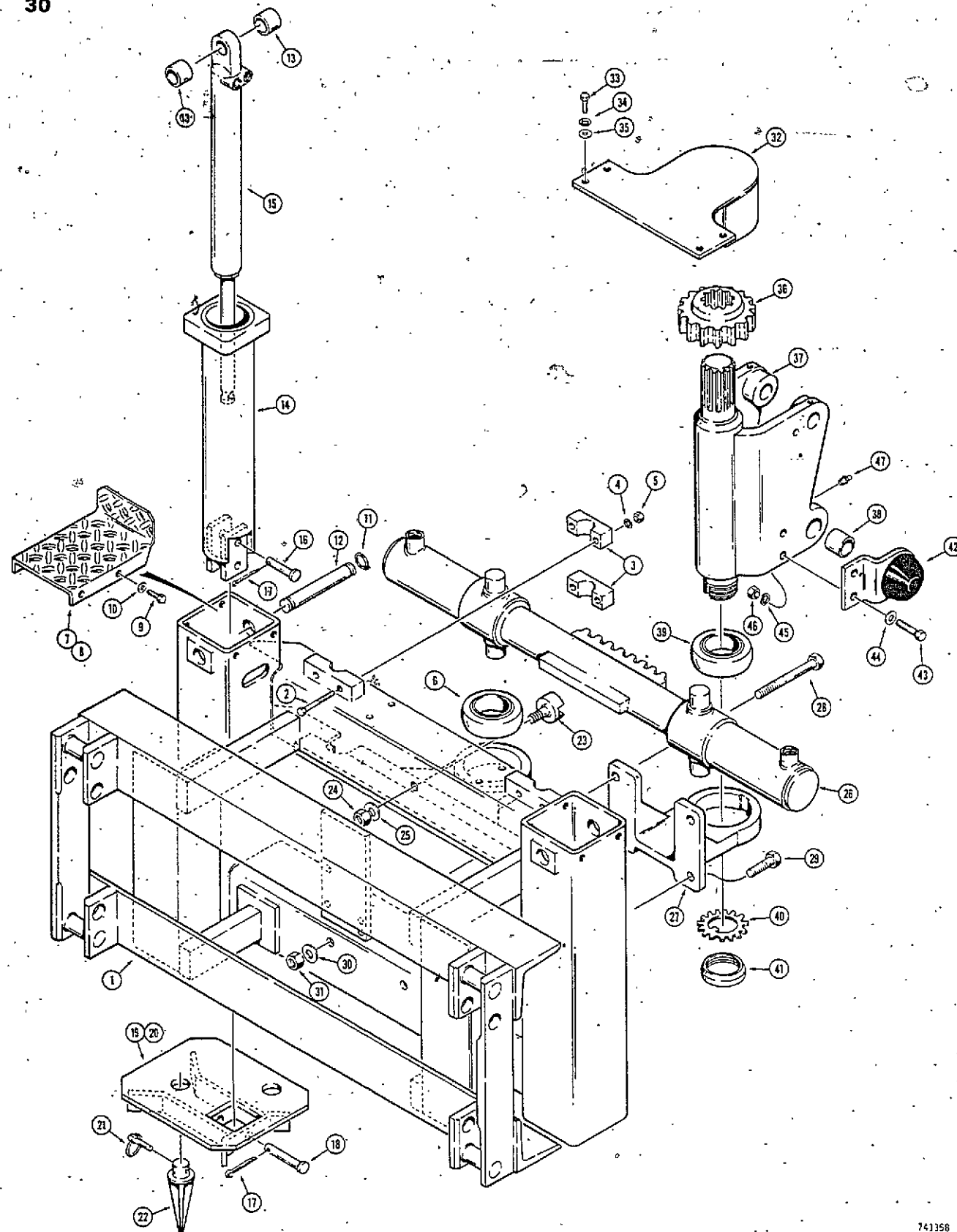
Changes

When changes to the machine make it necessary, revised pages for this book will be issued. The revised pages will be issued with the same page number as those they replace and the "issue" number and date will be advanced.

It is imperative that revised Parts Book pages be inserted into their respective Parts Books as soon as received. Failure to do so will lead to confusion and defeat the purpose of the book.

D100 & D130 BACKHOE SERIAL NUMBER LOCATIONS



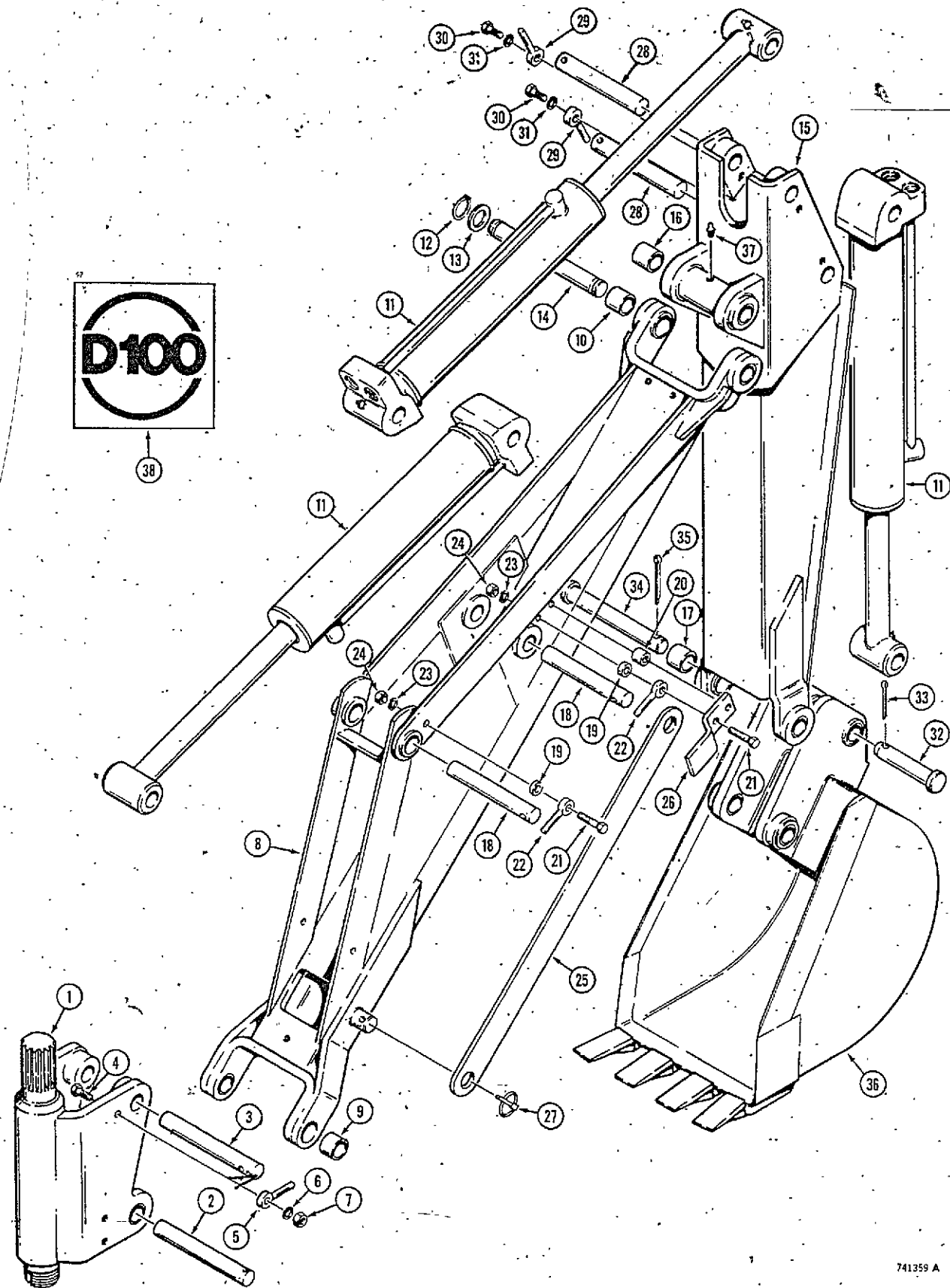


741358

MAIN FRAME, STABILIZER AND KING POST

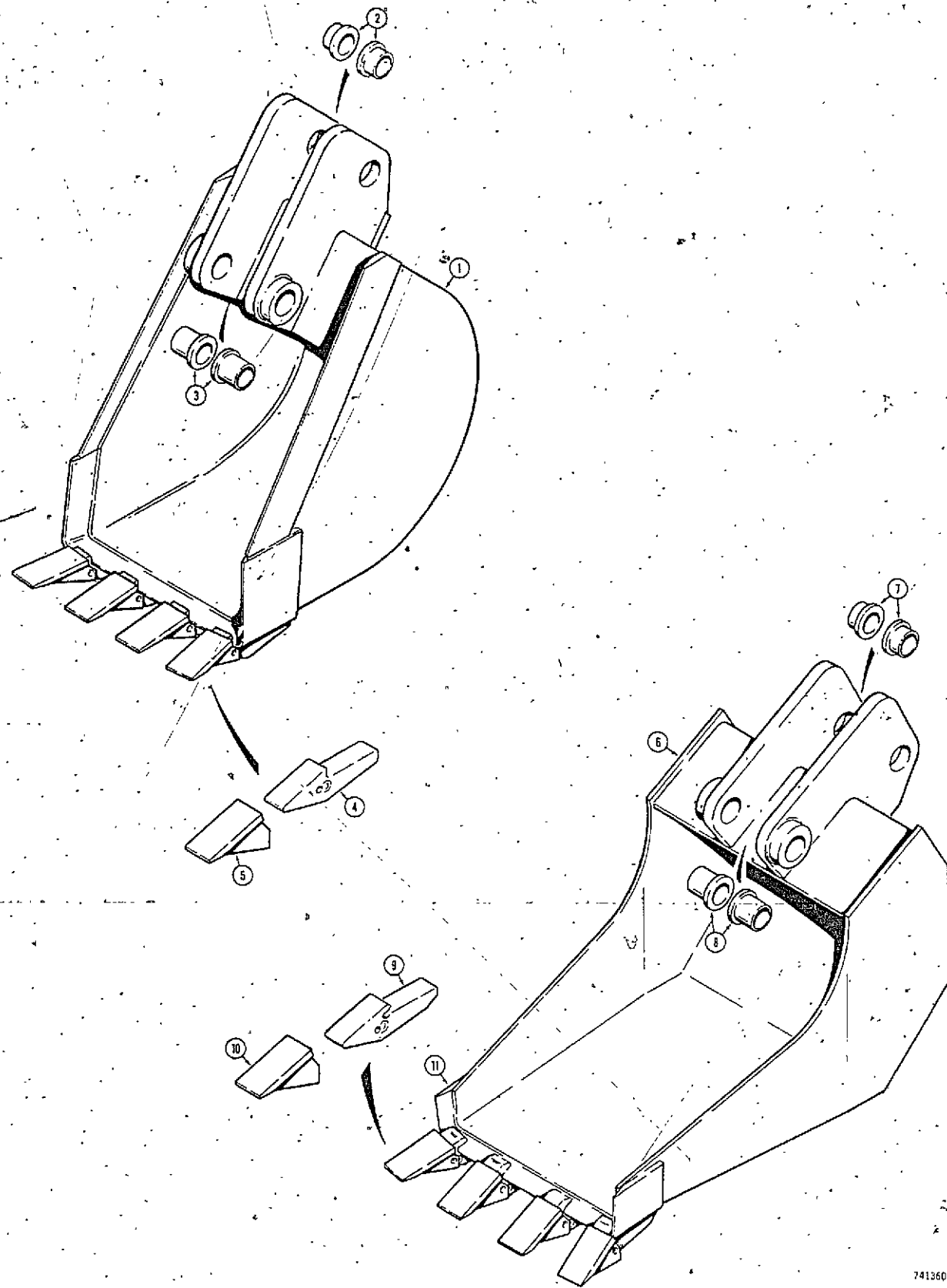
REF	PART NO.	DESCRIPTION	REQ'D
1	REF.	MAIN FRAME ASSEMBLY - see pages 11 thru 15 for proper frame	1
2	113- 248	HHCS - 3/8" - 16 NC x 2-3/4", plated	8
3	NSS	BLOCK - swing cylinder	4
4	192- 21	WASHER - lock, 3/8", plated	8
5	129- 103	NUT - hex, 3/8" - 16 NC, plated	8
6	H 747170	BEARING - king post	1
7	H 308726	FOOT REST - RH	1
8	H 308726	FOOT REST - LH	1
9	187- 1069	SCREW - self-tapping, 5/16" - 18 NCx 3/4", plated	8
10	192- 20	WASHER - lock, 5/16", plated	8
11	F 62235	SNAP RING	4
12	HO 50831	PIN - stabilizer cylinder, closed end	2
13	HO 52068	SPACER - stabilizer cylinder	4
14	H 514554	STABILIZER - tube	2
15	H 514117	CYLINDER - stabilizer, parts list page 45	2
16	HO 51870	PIN - stabilizer	2
17	132- 48	PIN - cotter, 1/8" x 1"	4
18	HO 31161	PIN - stabilizer pad to stabilizer	2
19	H 514562	PLATE - LH	1
20	H 514570	PLATE - RH	1
	H 907683	KIT - stabilizer spike	1
21	A 30338	PIN - lock	4
22	NSS	*SPIKE - stabilizer	4
23	HO 50377	GUIDE - rack, swing cylinder	1
24	131- 117.1	NUT - hex, self lock, 5/8" - 18 NF, plated	1
25	195- 541	WASHER - flat, 5/8", plated	1
26	H 514125	CYLINDER - swing, parts list page 45	1
27	HO 50724	HOUSING - lower mast	1
28	113- 650	HHCS - 5/8" - 11 NC x 6-1/2", plated	1
29	113- 604	HHCS - 5/8" - 11 NC x 2", plated	2
30	195- 541	WASHER - flat, 5/8", plated	4
31	129- 107	NUT - hex, 5/8" - 11 NC, plated	4
32	H 514380	COVER - gear	1
33	113- 208	HHCS - 3/8" - 16 NC x 1-1/4", plated	4
34	192- 21	WASHER - lock, 3/8", plated	4
35	195- 525	WASHER - flat, 3/8", plated	4
36	HO 50369	GEAR - swing	1
36A	178 -53	SCREW - set, 3/8" - 16 NC x 3/8", swing gear, not shown	4
37	H 514596	KING POST - swing tower	1
38	HO 56192	BUSHING - post	1
39	H 747170	BEARING - mast	2
40	192- 311	WASHER - lock, bearing	1
41	131- 1037	NUT - lock, bearing	1
42	H 625756	BUMPER - cushion	2
43	113- 424	HHCS - 1/2" - 13 NC x 1", plated	4
44	195- 533	WASHER - flat, 1/2"	4
45	192- 23	WASHER - lock, 1/2", plated	4
46	129- 105	NUT - hex, 1/2" - 13 NC, plated	4
47	219- 8	GREASE FITTING - straight, 1/4" - 28 NF-taper	2

D100 BACKHOE
BOOM, DIPPER ARM AND BUCKET



REF.	PART NO.	DESCRIPTION	REQ'D
1	REF.	KING POST - swing tower, parts list page 31	1
2	HO 50526	PIN - boom attaching	1
3	HO 56945	PIN - boom cylinder, rod end	1
4	113- 209	HHCS - 3/8" - 16 NC x 1-1/2", plated	1
5	H 313981	PIN - keeper	1
6	192- 21	WASHER - lock, 3/8", plated	1
7	129- 103	NUT - hex, 3/8" - 16 NC, plated	1
8	H 514620	BOOM-ASSEMBLY	1
9	HO 50435	BUSHING - boom mounting	2
10	HO 56184	BUSHING - dipper mounting	2
11	REF.	CYLINDER - boom, dipper arm and bucket, see pages 47 thru 59 for proper cylinders	3
12	F 62235	SNAP RING	2
13	195- 454	WASHER - flat, 1-1/8"	3
14	HO 50658	PIN - dipper arm to boom	1
15	H 514687	DIPPER ARM ASSEMBLY - crowd arm	1
16	HO 56192	BUSHING - dipper mounting	2
17	HO 56184	BUSHING - bucket mounting	2
18	HO 50690	PIN - cylinder retaining	2
19	HO 53793	SPACER - boom and dipper cylinder	2
20	NSS	SPACER - transport link	1
21	113- 219	HHCS - 3/8" - 16 NC x 2", plated	3
22	H 313981	PIN - keeper	2
23	192- 21	WASHER - lock, 3/8", plated	3
24	129- 103	NUT - hex, 3/8" - 16 NC, plated	3
25	H 905380	KIT - transport link	1
26	H 56952	LINK - transport	2
27	HO 60616	CLIP - retaining	2
28	A 30338	PIN - lock	2
29	HO 50690	PIN - cylinder retaining	2
30	H 313981	PIN - keeper	2
31	113- 208	HHCS - 3/8" - 16 NC x 1-1/4", plated	2
32	192- 21	WASHER - lock, 3/8", plated	2
33	H 257048	PIN - cylinder to bucket	1
34	132- 152	PIN - cotter, 1/4" x 1-3/4"	1
35	HO 50682	PIN - bucket hinge	1
36	132- 20	PIN - cotter, 3/8" x 2"	1
37	REF	BUCKET - see page 35 for options	1
38	219- 8	GREASE FITTING - straight, 1/4" - 28 NF taper	1
	321- 3196	DECAL - D100	2

741359 A



741360

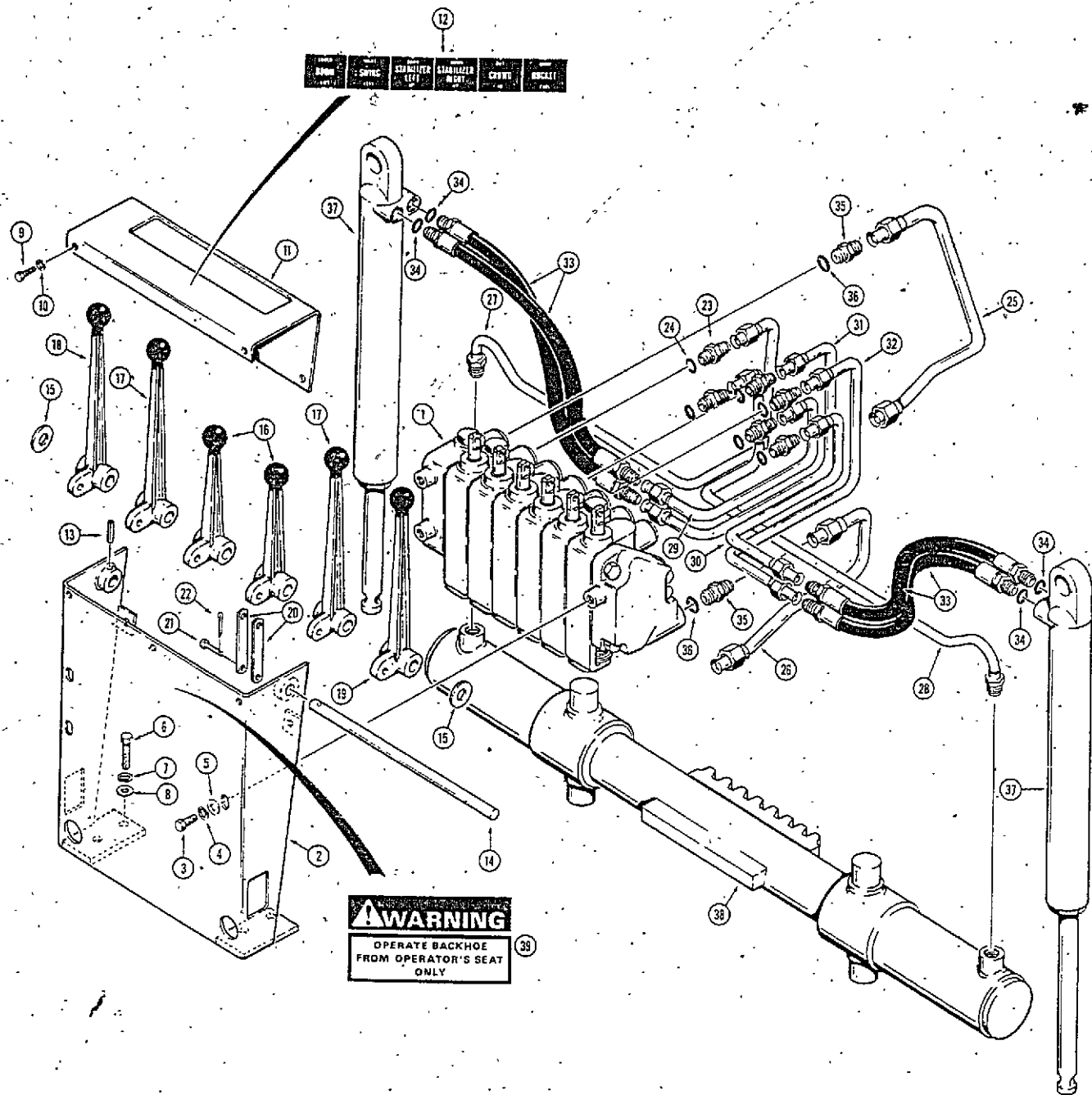
**BACKHOE BUCKETS
STANDARD BUCKETS**

REF.	PART NO.	DESCRIPTION	REQ'D
1	H 905158	BUCKET ASSEMBLY - 12" (305 mm) machinery item	1
2	HO 50823	BUSHING - cylinder pin	2
3	HO 56184	BUSHING - bucket hinge	2
4	HO 36657	SHANK - tooth	4
5	T 41166	POINT - tooth	4
1	H 905166	BUCKET ASSEMBLY - 16" (406 mm) machinery item	1
2	HO 50823	BUSHING - cylinder pin	2
3	HO 56184	BUSHING - bucket hinge	2
4	HO 36657	SHANK - tooth	4
5	T 41166	POINT - tooth	4
1	H 905174	BUCKET ASSEMBLY - 20" (508 mm) machinery item	1
2	HO 50823	BUSHING - cylinder pin	2
3	HO 56184	BUSHING - bucket hinge	2
4	HO 36657	SHANK - tooth	4
5	T 41166	POINT - tooth	4
1	H 905182	BUCKET ASSEMBLY - 24" (610 mm) machinery item	1
2	HO 50823	BUSHING - cylinder pin	2
3	HO 56184	BUSHING - bucket hinge	2
4	HO 36657	SHANK - tooth	5
5	T 41166	POINT - tooth	5
1	H 905190	BUCKET ASSEMBLY - 36" (914 mm) machinery item	1
2	HO 50823	BUSHING - cylinder pin	2
3	HO 56184	BUSHING - bucket hinge	2
4	HO 36657	SHANK - tooth	7
5	T 41166	POINT - tooth	7

BELLHOLE BUCKETS

6	H 905109	BUCKET ASSEMBLY - 12" (305 mm) machinery item	1
7	HO 50823	BUSHING - cylinder pin	2
8	HO 56184	BUSHING - cylinder hinge	2
9	HO 61283	SHANK - tooth	4
10	T 41166	POINT - tooth	4
11	HO 61424	BLADE - cutting	1
6	H 905117	BUCKET ASSEMBLY - 18" (457 mm) machinery item	1
7	HO 50823	BUSHING - cylinder pin	2
8	HO 56184	BUSHING - cylinder hinge	2
9	HO 61283	SHANK - tooth	4
10	T 41166	POINT - tooth	4
11	HO 61432	BLADE - cutting	2
6	H 905125	BUCKET ASSEMBLY - 22" (559 mm) machinery item	1
7	HO 50823	BUSHING - cylinder pin	2
8	HO 56184	BUSHING - cylinder hinge	2
9	HO 61283	SHANK - tooth	5
10	T 41166	POINT - tooth	5
11	HO 61440	BLADE - cutting	1
6	H 905133	BUCKET ASSEMBLY - 36" (914 mm) machinery item	1
7	HO 50823	BUSHING - cylinder pin	2
8	HO 56184	BUSHING - cylinder hinge	2
9	HO 61283	SHANK - tooth	7
10	T 41166	POINT - tooth	7
11	HO 61459	BLADE - cutting	1

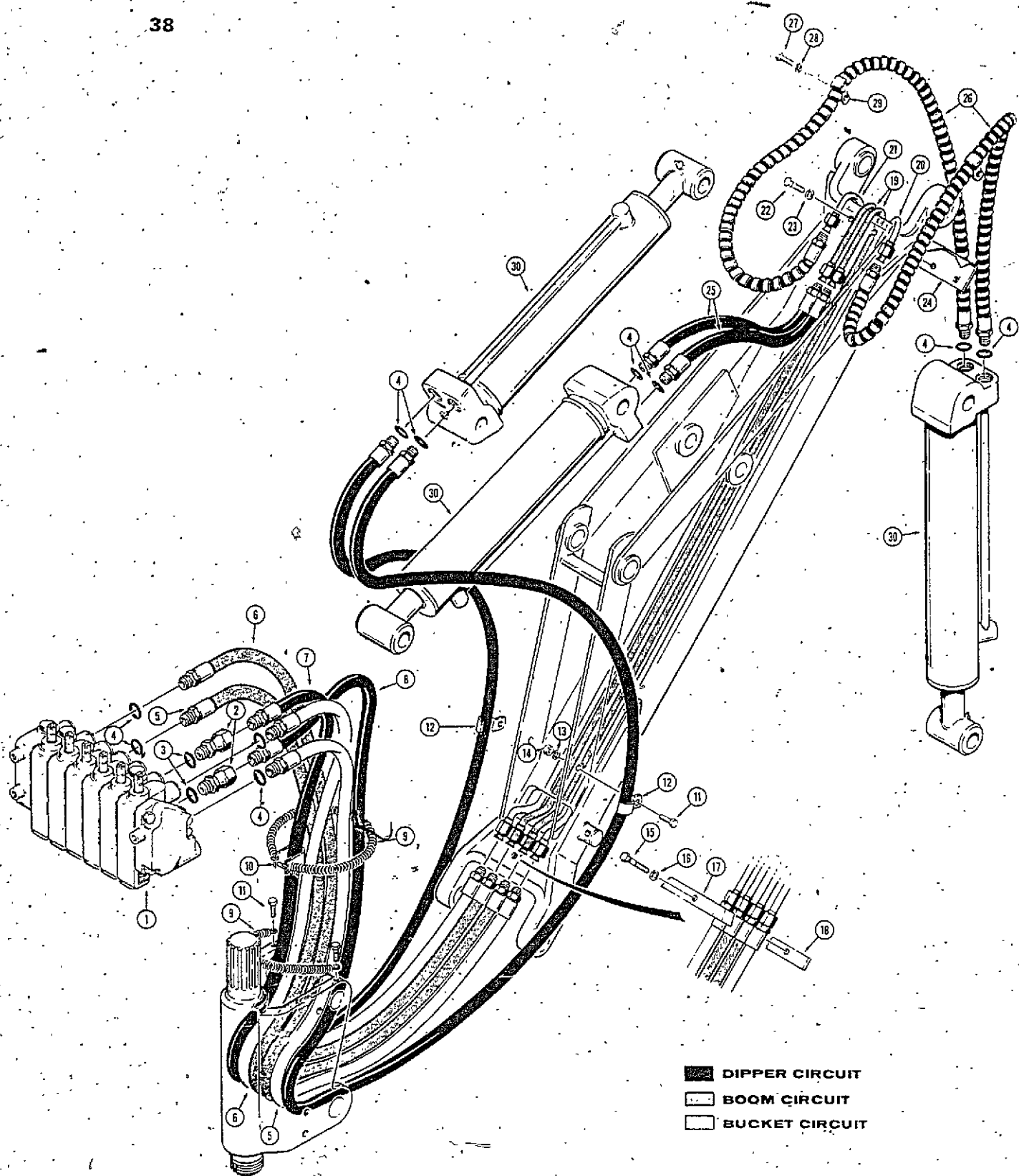
**BACKHOE HYDRAULIC LINES
SWING CIRCUIT, STABILIZER CIRCUIT AND CONTROLS
USED BEFORE BACKHOE sn P1520301**



REF.	PART NO.	DESCRIPTION	REQ'D.
1	REF.	VALVE - control, see pages 61 thru 67	1
2	H 514588	PLATE - valve mounting	1
3	113- 335	HHCS - 7/16" - 14 NC x 3/4", plated	3
4	192- 22	WASHER - lock, 7/16", plated	3
5	195- 529	WASHER - flat, 7/16", plated	3
6	113- 208	HHCS - 3/8" - 16 NC x 1-1/4", plated	4
7	192- 21	WASHER - lock, 3/8", plated	4
8	195- 525	WASHER - flat, 3/8", plated	4
9	187- 1069	SCREW - self tapping, 5/16" - 18 NC x 3/4", plated	4
10	192- 20	WASHER - lock, 5/16", plated	4
11	HO 50880	COVER - valve linkage	1
12	H 102749	DECAL - control levers	1
13	138- 2002	PIN - spiral, 3/16" - 1-1/4"	1
14	HO 50914	SHAFT - valve lever	1
15	HO 50716	SPACER - lever shaft	2
16	HO 50922	LEVER - boom and dipper stick	2
17	HO 50930	LEVER - stabilizer	2
18	HO 83436	LEVER - outer, LH, swing	1
19	HO 83444	LEVER - outer, RH, swing	1
20	HO 50559	LINK - valve lever	12
21	HO 35279	PIN - clevis	12
22	132- 5	PIN - cotter, 1/16" x 1/2"	12
23	218- 5403	FITTING - straight, male	6
24	281- 5006	O-RING	1
25	H 514430	tube - pressure	1
26	H 514448	tube - return	1
27	H 514760	TUBE - upper port of valve to swing cylinder, LH	1
28	H 514778	TUBE - lower port of valve to swing cylinder, RH	1
29	H 514786	TUBE - lower port of valve to stabilizer cylinder, LH	1
30	H 514794	TUBE - lower port of valve to stabilizer cylinder, RH	1
31	H 514455	TUBE - upper port of valve to stabilizer cylinder, LH	1
32	H 514463	TUBE - upper port of valve to stabilizer cylinder, RH	1
33	HO 51474	HOSE - hydraulic, stabilizer cylinders, 9" (229 mm) long	4
34	218- 5006	O-RING	4
35	218- 5406	FITTING - straight, male	2
36	218- 5007	O-RING	1
37	H 514117	CYLINDER - stabilizer, parts list page 45	2
38	H 514125	CYLINDER - swing, parts list page 45	1
39	321- 3054	DECAL - warning	2

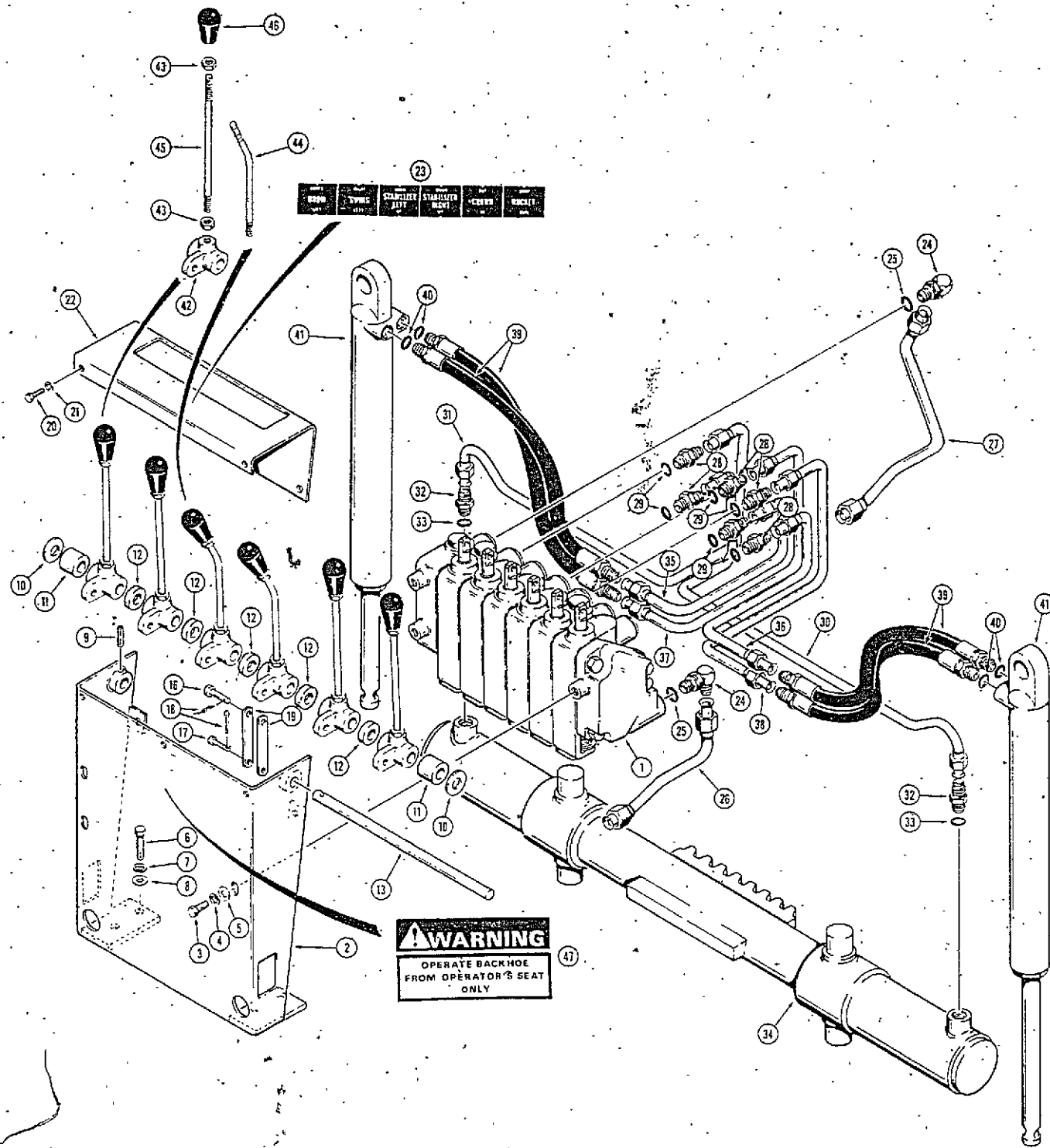
**BACKHOE HYDRAULIC LINES
BOOM, DIPPER ARM AND BUCKET CIRCUITS**

USED BEFORE BACKHOE sn P1520301



REF.	PART NO.	DESCRIPTION	REQ'D.
1	REF	VALVE - control, see pages 61 thru 67	1
2	218- 5252	FITTING - straight	2
3	218- 5006	O-RING	1
4	218- 5006	O-RING	10
5	HO 51458	HOSE - lower valve port, 35" (889 mm) long	2
6	HO 51466	HOSE - upper valve port, 38" (965 mm) long	2
7	HO 51433	HOSE - upper valve port to dipper cylinder, 58" (1473 mm) long	2
8	HO 51441	HOSE - lower valve port to dipper cylinder, 56" (1422 mm) long	1
9	H 52548	SPRING - hose retaining	2
10	HO 52571	CLAMP - spring retainer	1
11	113- 3	HHCS - 1/4" - 20 NC x 3/4", plated	4
12	HO 51763	CLAMP - hose	2
13	192- 19	WASHER - lock, 1/4", plated	2
14	129- 101	NUT - hex, 1/4" - 20 NC, plated	2
15	113- 121	HHCS - 5/16" - 18 NC x 2", plated	1
16	192- 20	WASHER - lock, 5/16", plated	1
17	HO 52589	CLAMP - tube	1
18	HO 51748	CLAMP - tube	1
19	H 513697	TUBE - at boom cylinder	2
20	H 513689	TUBE - bucket cylinder, RH	1
21	H 513671	TUBE - bucket cylinder, LH	1
22	113- 121	HHCS - 5/16" - 18 NC x 2", plated	2
23	129- 101	WASHER - lock, 5/16", plated	2
24	HO 51755	CLAMP - tube	1
25	HO 52399	HOSE - at boom cylinder, 15" (381 mm) long	2
26	HO 51482	HOSE - at bucket cylinder, 24" (610 mm) long	2
27	113- 4	HHCS - 1/4" - 20 NC x 1", plated	2
28	192- 19	WASHER - lock, 1/4", plated	2
29	H 276758	CLAMP - hose	2
30	REF.	CYLINDER - boom, dipper and bucket, see pages 47 thru 57 for proper cylinders	3

741362



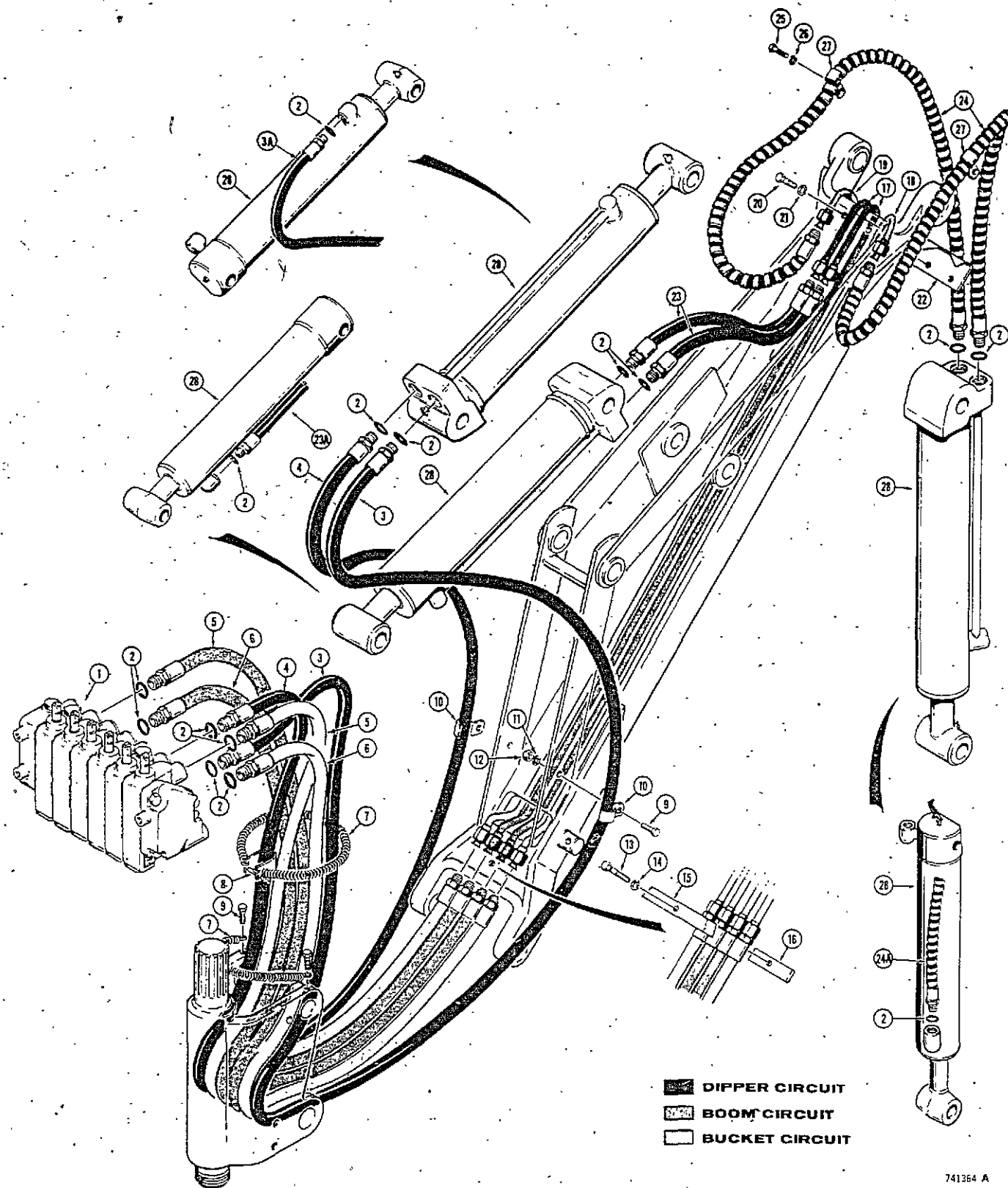
WARNING
OPERATE BACKHOE
FROM OPERATOR'S SEAT
ONLY

741363 C

**BACKHOE HYDRAULIC LINES
SWING CIRCUIT, STABILIZER CIRCUIT AND CONTROLS
USED BACKHOE sn P1520301 AND AFTER**

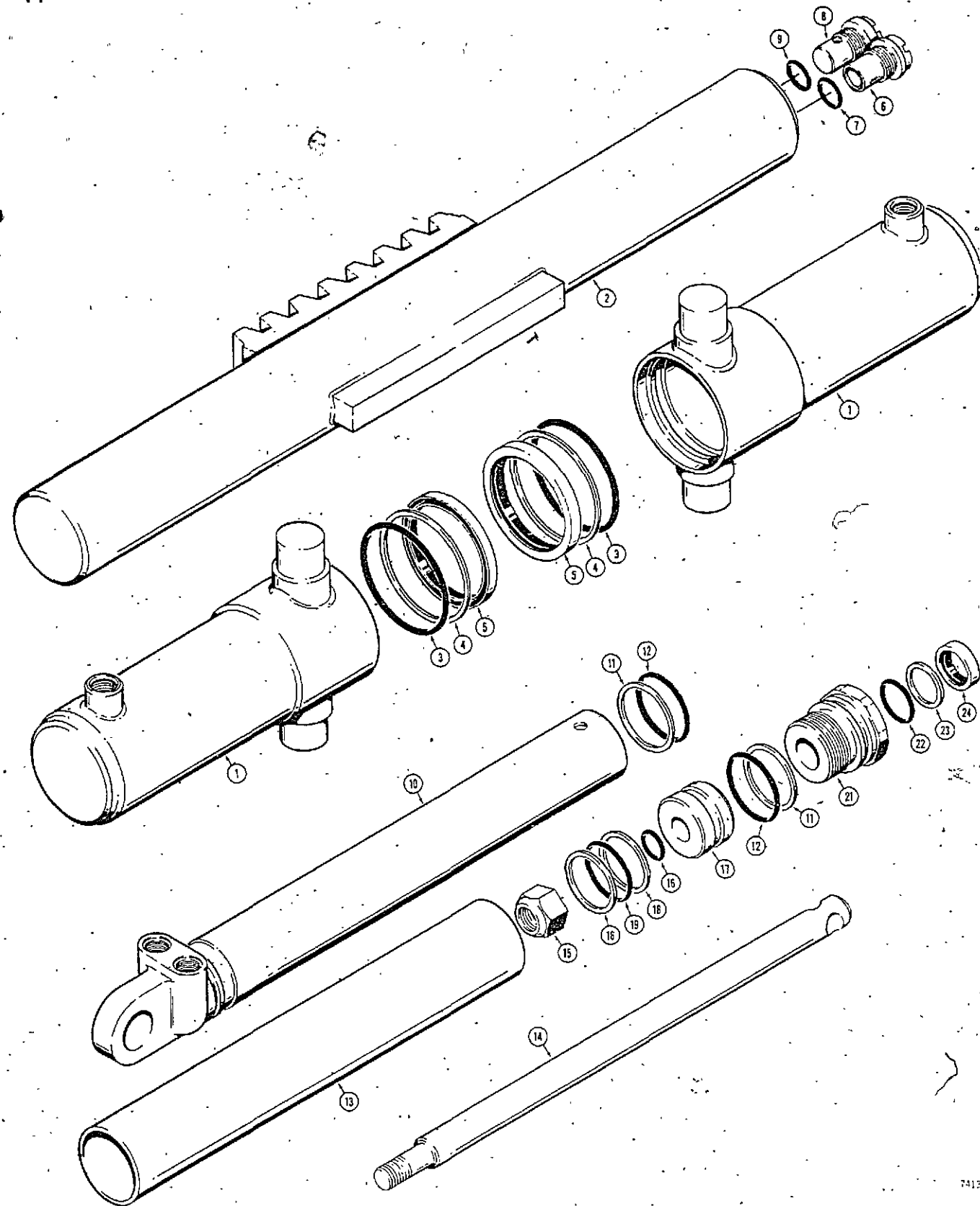
REF.	PART NO.	DESCRIPTION	REQ'D.
1	REF.	VALVE - control, see pages 61 thru 63	1
2	H 514588	PLATE - valve mounting	1
3	113- 335	HHCS - 7/16" - 14 NC x 3/4", plated	1
4	192- 22	WASHER - lock, 7/16", plated	3
5	195- 529	WASHER - flat, 7/16", plated	3
6	113- 208	HHCS - 3/8" - 16 NC x 1-1/4", plated	4
7	192- 21	WASHER - lock, 3/8", plated	4
8	95- 525	WASHER - flat, 3/8", plated	4
9	138- 98	PIN - roll, 3/16" x 1-1/4"	1
10	REF.	WASHER - flat	2
11	HO 50716	SPACER - lever	2
12	H 191908	SPACER - lever	5
13	HO 50914	SHAFT - lever	1
14		RESERVED	
15		RESERVED	
16	H 169318	PIN - clevis, 1/4" x 51/64"	6
17	HO 35279	PIN - clevis, 3/16" x 57/64"	6
18	132- 5	PIN - cotter, 1/16" x 1/2"	12
19	H 219006	LINKS - lever	12
20	187- 1069	SCREW - self-tapping, 5/16" - 18 NC x 3/4", plated	4
21	192- 20	WASHER - lock, 5/16", plated	4
22	HO 50880	COVER - valve linkage	1
23	H 102749	DECAL - backhoe control	1
24	218- 5107	FITTING - 90°, adjustable	2
25	218- 5007	O-RING	1
26	H 593475	TUBE - return	1
27	H 593467	TUBE - pressure	1
28	218- 5059	FITTING - straight, male	6
29	218- 5006	O-RING	1
30	H 593418	TUBE - lower valve port to swing cylinder, RH	1
31	H 593400	TUBE - upper valve port to swing cylinder, LH	1
32	218- 465	FITTING - straight, male	2
33	218- 5006	O-RING	1
34	H 514125	CYLINDER - swing, parts list page 45	1
35	H 593442	TUBE - lower valve port to stabilizer cylinder, LH	1
36	H 593459	TUBE - lower valve port to stabilizer cylinder, RH	1
37	H 593426	TUBE - upper valve port to stabilizer cylinder, LH	1
38	H 593434	TUBE - upper valve port to stabilizer cylinder, RH	1
39	H 268532	HOSE - hydraulic, stabilizer cylinder, 10" (254 mm)	4
40	218- 5005	O-RING	4
41	H 514117	CYLINDER - stabilizer, parts list page 45	2
42	H 275255	BELLCRANK - lever	6
43	129- 143	NUT - hex lock, 3/8" - 16 NC	12
44	H 191924	LEVER - stabilizer control	2
45	H 191916	LEVER - boom, dipper, bucket and swing control	4
46	A 14051	KNØB - lever	6
47	321- 3054	DECAL - warning	2

**BACKHOE HYDRAULIC LINES
BOOM, DIPPER ARM AND BUCKET CIRCUITS
USED BACKHOE SN P1520301 AND AFTER**



REF.	PART NO.	DESCRIPTION	REQ'D.
1	REF.	VALVE - control, see pages 61 thru 67	1
2	218- 5006	O-RING	12
3	H 268516	HOSE - lower valve port to dipper cylinder, 56" (1422 mm) long, if used	1
3A	H 357855	HOSE - lower valve port to dipper cylinder, 75" (1905 mm) long, if used	1
4	H 268524	HOSE - upper valve port to dipper cylinder, 58" (1473 mm) long	1
5	H 268557	HOSE - upper valve ports, 38" (965 mm) long	2
6	H 268540	HOSE - lower valve ports 35" (889 mm) long	2
7	HO 52548	SPRING - hose retaining	1
8	HO 52571	CLAMP - spring retainer	2
9	113- 3	HHCS - 1/4" - 20 NC x 3/4", plated	4
10	HO 51763	CLAMP - hose	2
11	192- 19	WASHER - lock, 1/4", plated	2
12	129- 101	NUT - hex, 1/4" - 20 NC, plated	2
13	113- 121	HHCS - 5/16" - 18 NC x 2", plated	1
14	192- 20	WASHER - lock, 5/16", plated	1
15	HO 52589	CLAMP - tube	1
16	HO 51748	CLAMP - tube	1
17	H 593392	TUBE - at boom cylinder	2
18	H 593384	TUBE - to bucket cylinder, RH	1
19	H 593376	TUBE - to bucket cylinder, LH	1
20	113- 121	HHCS - 5/16" - 18 NC x 2", plated	2
21	129- 101	WASHER - lock, 5/16", plated	2
22	HO 51755	CLAMP - tube	1
23	H 244921	HOSE - at boom cylinder, 15" (381 mm) long	1-2
23A	H 268540	HOSE - at boom cylinder, 35" (889 mm) long, if used	1
24	H 268565	HOSE - at bucket cylinder, 42" (1067 mm) long	1-2
24A	H 357863	HOSE - at bucket cylinder, 61" (1549 mm) long, if used	1
25	113- 4	HHCS - 1/4" - 20 NC x 1", plated	2
26	192- 19	WASHER - lock, 1/4", plated	2
27	H 276758	CLAMP - hose	2
28	REF.	CYLINDER - boom, dipper and buckets; see pages 47 thru 59 for proper cylinders	3

741364 A

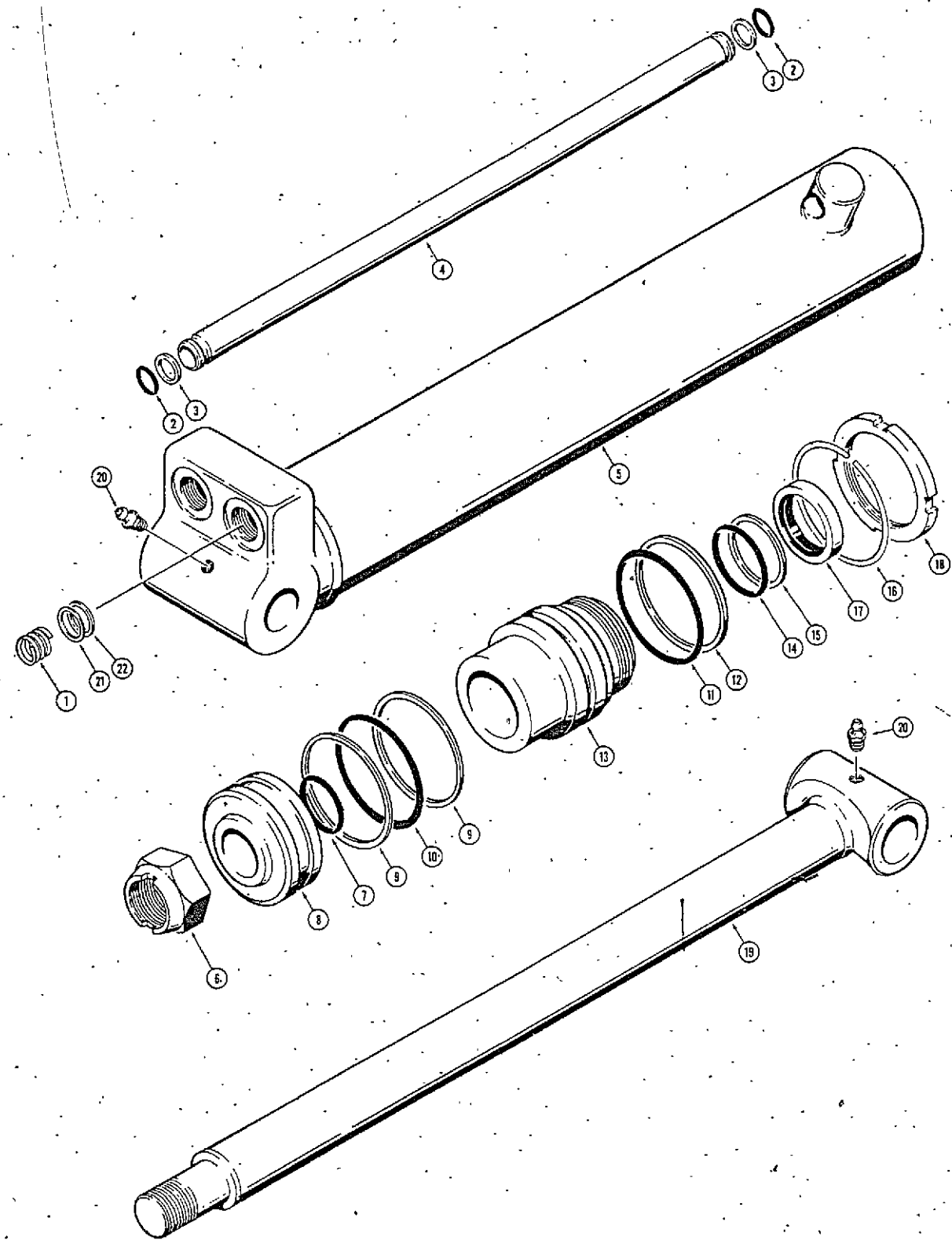


H514125 SWING CYLINDER

REF.	PART NO.	DESCRIPTION	REQ'D
	H 514125	CYLINDER - swing, 8" (203 mm) stroke	1
1	HO 53009	BARREL ASSEMBLY - tube	2
2	HO 53017	ROD - piston	1
3	*H 743591	O-RING	2
4	*H 745596	WASHER - backup	2
5	*H 215202	SEAL - dust	2
6	HO 53025	VALVE ASSEMBLY - relief	1
7	*A 27365	O-RING	1
8	HO 53033	VALVE ASSEMBLY - relief	1
9	*A 27365	O-RING	1
	*HO 53041	KIT - seal, all items preceded by an asterisk are part of HO53041 kit	1

H514117 STABILIZER CYLINDER
CESSNA #41011-FA (ON CLOSED END OF CYLINDER)

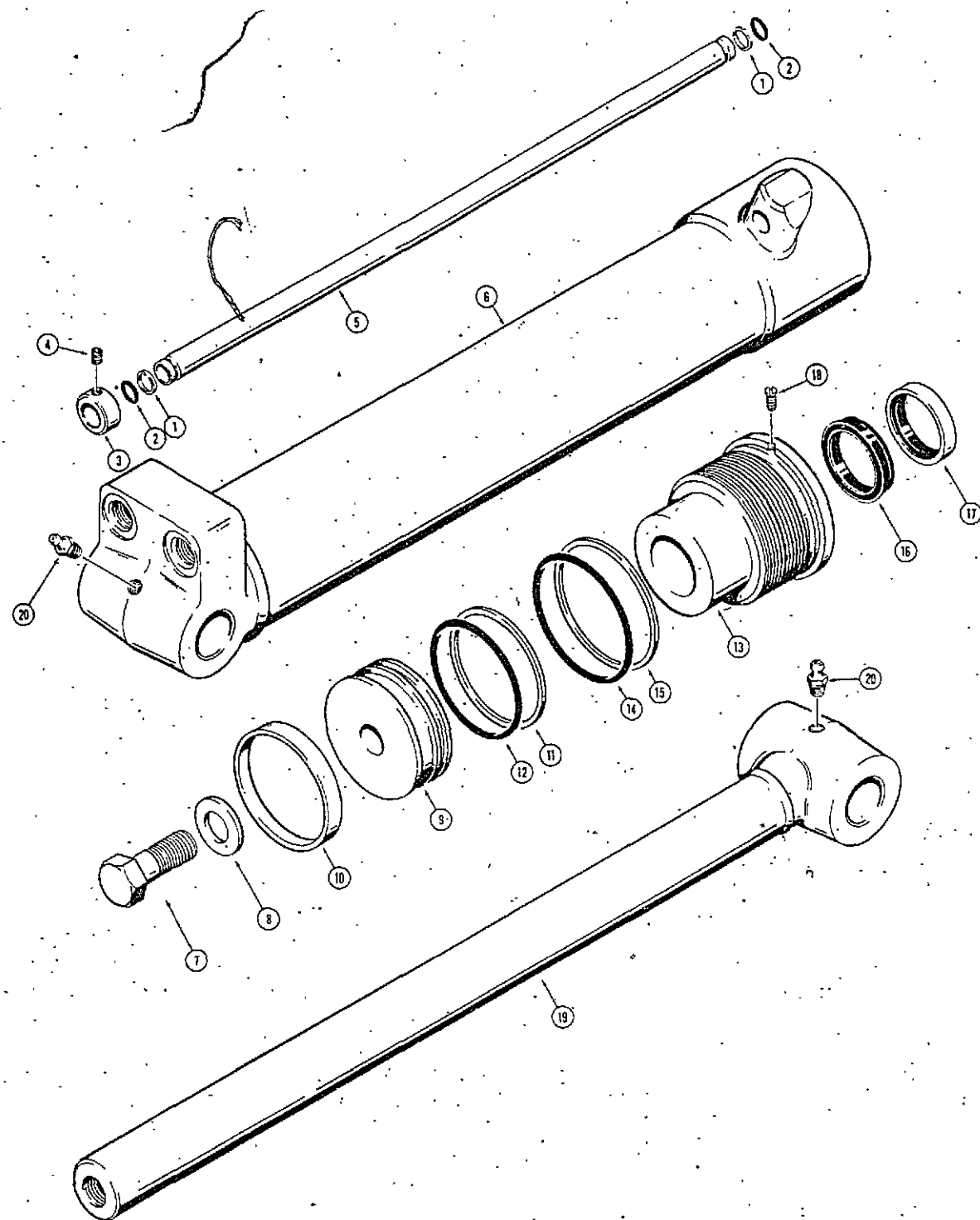
	H 514117	CYLINDER - stabilizer, 12" (305 mm) stroke	2
10	HO 52654	HEAD AND TUBE - cylinder	1
11	* NSS	WASHER - backup	2
12	*A 7156	O-RING	2
13	HO 52662	TUBE - outer	1
14	HO 52688	ROD - piston	1
15	131- 1121	NUT - hex self lock, 5/8" - 18 NF	1
16	*F 62114	SEAL - O-ring	1
17	HO 52670	PISTON - cylinder	1
18	H 754614	WASHER - backup, leather, use H754614 for service	2
18	*H 754614	WASHER - backup, rubber	2
19	*D 38755	O-RING	1
20		RESERVED	
21	HO 52696	GLAND - cylinder	1
22	*A 7623	O-RING	1
23	* NSS	WASHER - backup	1
24	*H 746297	SEAL - oil, rod wiper	1
	*HO 52704	KIT - seal, all items preceded by an asterisk are part of HO52704 kit	1



741366

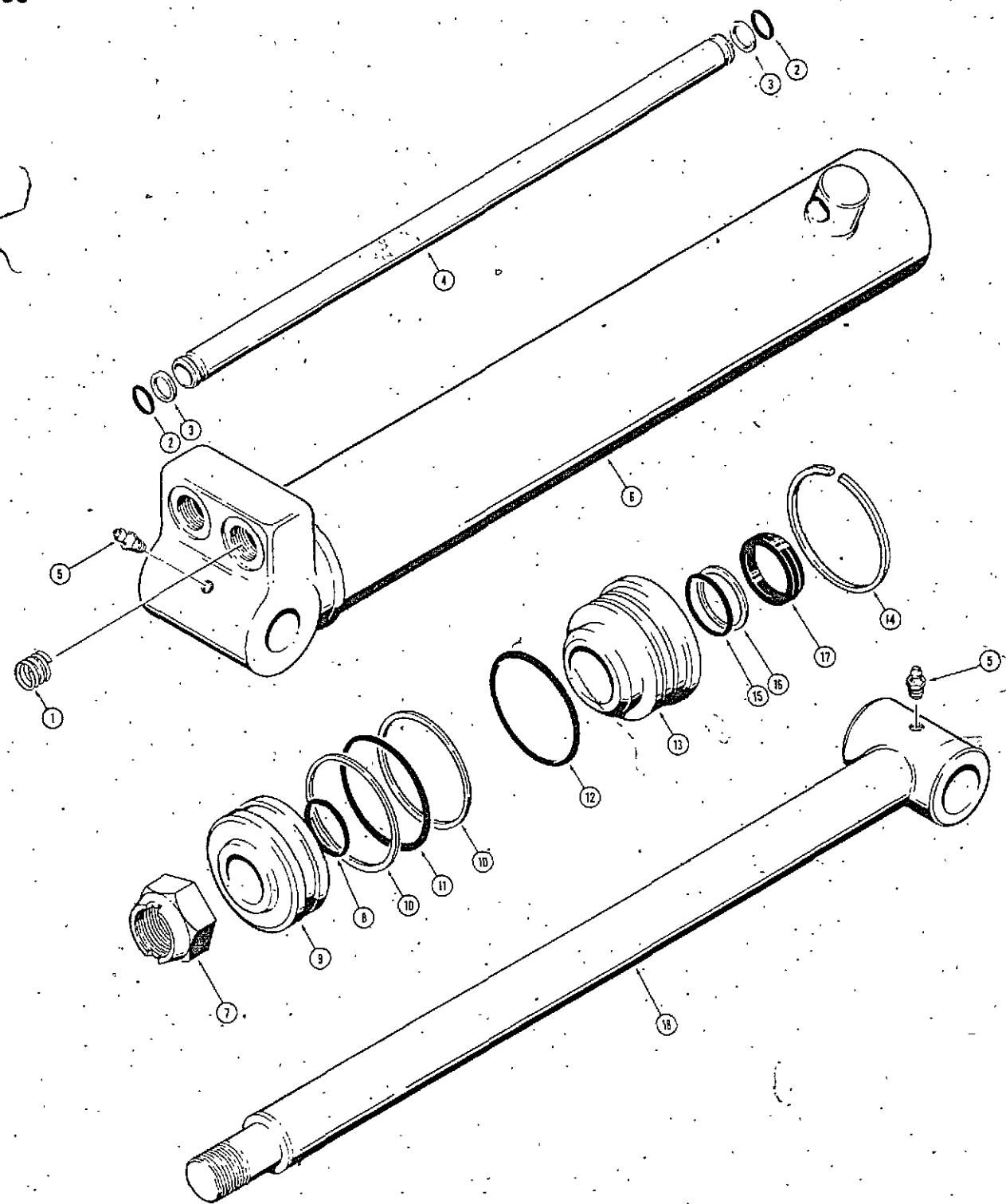
**H514109 BOOM, DIPPER ARM AND BUCKET CYLINDER
CESSNA #41093-BA (ON ROD END OF CYLINDER TUBE)**

REF.	PART NO.	DESCRIPTION	REQ'D
H	514109	CYLINDER - boom, dipper arm and bucket, 3" (76 mm) ID x 15" (381 mm) stroke	3
1	HO 52712	SPRING	1
2	*A 29197	O-RING	2
3	H 754622	WASHER - backup	2
4	HO 52720	TUBE - hydraulic	1
5	HO 52738	TUBE - cylinder, barrel	1
6	131- 1141	NUT - hex self lock, 1-1/8" - 12 NF, plated	1
7	*A 27355	O-RING - small	1
8	HO 52746	PISTON	1
9	H 745588	WASHER - backup, leather, use H754614 for service	2
9	*H 754614	WASHER - backup, rubber	2
10	*D 38755	O-RING - large	1
11	*A 30097	O-RING - gland, large	1
12	L 14340	WASHER - backup, gland	1
13	HO 52753	GLAND - cylinder	1
14	*A 30916	O-RING - gland, small	1
15	NSS	WASHER - backup, gland	1
16	*HO 52761	RING - lock, gland	1
17	HO 52779	SEAL - dust, rod wiper, use A41785 seal for service	1
17	*A 41785	SEAL - dust, rod wiper	1
18	H 745794	NUT - gland, ring style	1
19	HO 52787	ROD - piston	1
20	219- 13	FITTING - grease, straight, 3/16" driven	2
21	H 215269	WASHER - .030" (0.76 mm) thick	UAR
22	H 215277	WASHER - .058" (1.47 mm) thick	UAR
*HO	52795	KIT - seal, all items preceded by an asterisk are part of HO 52995 kit	1



G34186 BOOM, DIPPER ARM AND BUCKET CYLINDER HAS THREADED GLAND

REF.	PART NO.	DESCRIPTION	REQ'D
G	34186	CYLINDER - boom, dipper arm and bucket, 3" (76 mm) ID x 15" (381 mm) stroke	3
1	D 54861	RING - backup	2
2	A 8613	O-RING	2
3	G 34478	COLLAR - clamp	1
4	83- 44	SCREW - set, hex socket, cup point, 1/4" 20 NC x 1/4"	1
5	G 34193	TUBE - hydraulic	1
6	G 34187	TUBE - cylinder	1
7	28- 1232	HHCS - 3/4" - 16 NF x 2"	1
8	G 32317	WASHER - hardened	1
9	G 33747	PISTON - cylinder	1
10	*G 32033	RING - wear	1
11	*G 32034	RING - backup	1
12	*A 28318	O-RING	1
	G 34328	GLAND ASSEMBLY - cylinder	1
13	NSS	GLAND AND BEARING - cylinder	1
14	*A 30095	O-RING	1
15	*G 32122	RING - backup	1
16	*D 36969	SEAL - rod	1
17	*D 95142	ROD - wiper	1
18	187- 1031	SCREW - self-tapping, #8 32 NC x 1/4"	1
19	G 34191	ROD - piston, 1-1/2" (38 mm) dia.	1
20	219- 1	GREASE FITTING - straight, 1/8" NPT	2
*G	32269	KIT - seal, all items preceded by an asterisk are part of G32269 kit	1

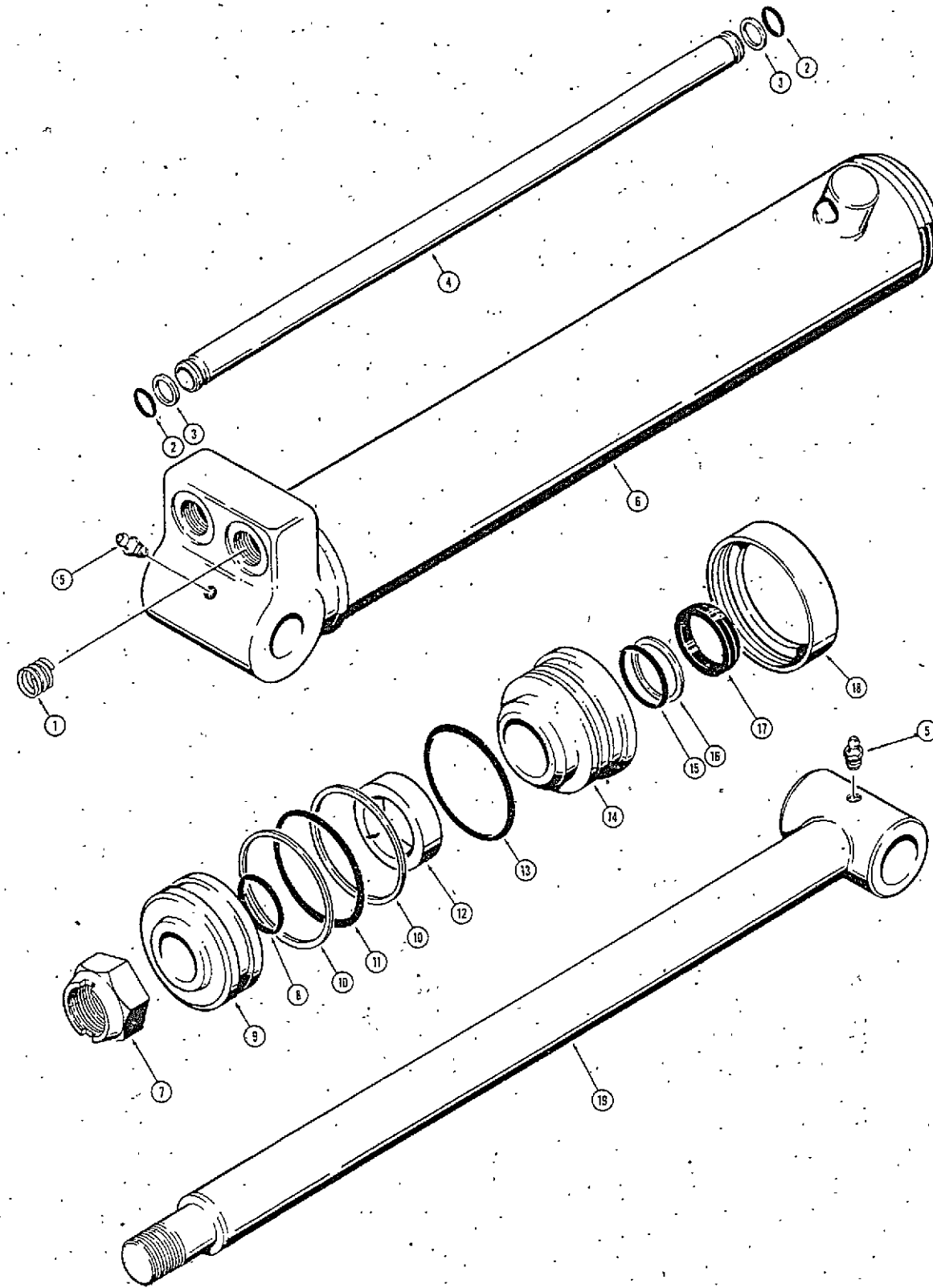


741367

**H600841 BOOM, DIPPER ARM AND BUCKET CYLINDERS
LANTEX #2781-TM (GLAND RETAINED BY RING)**

REF.	PART NO.	DESCRIPTION	REQ'D
	H 600841	CYLINDER - boom, dipper arm and bucket; 15" (381 mm) stroke	3
	H 602607	KIT - manifold	1
1	H 286013	SPRING - manifold	1
2	218- 5007	O-RING	2
3	H 745620	RING - backup	2
4	NSS	TUBE - hydraulic, manifold	1
5	219- 1	FITTING - grease, straight, 1/8" NPT.	2
6	H 602508	TUBE - cylinder	1
7	131- 370	NUT - hex self lock, 1/4" - 28 NF	1
8	*R 15366	O-RING - piston, small	1
9	H 223073	PISTON	1
10	*H 754614	WASHER - backup	2
11	*D 38755	O-RING - piston, large	1
12	*A 27996	O-RING - gland, large	1
13	H 223081	GLAND	1
14	*H 223263	RING - lock, gland retaining	1
15	*T 13224	O-RING - gland, small	1
16	*H 745687	WASHER - backup	1
17	*H 222935	WIPER - rod	1
18	H 602516	ROD - 1-1/2" (38 mm) dia.	1
	*H 587485	KIT - seal, all items preceded by an asterisk are part of H587485-kit	1

***H607697 BOOM, DIPPER ARM AND BUCKET CYLINDER
LANTEX **2903-BL (GLAND RETAINED BY THREADED CAP)**

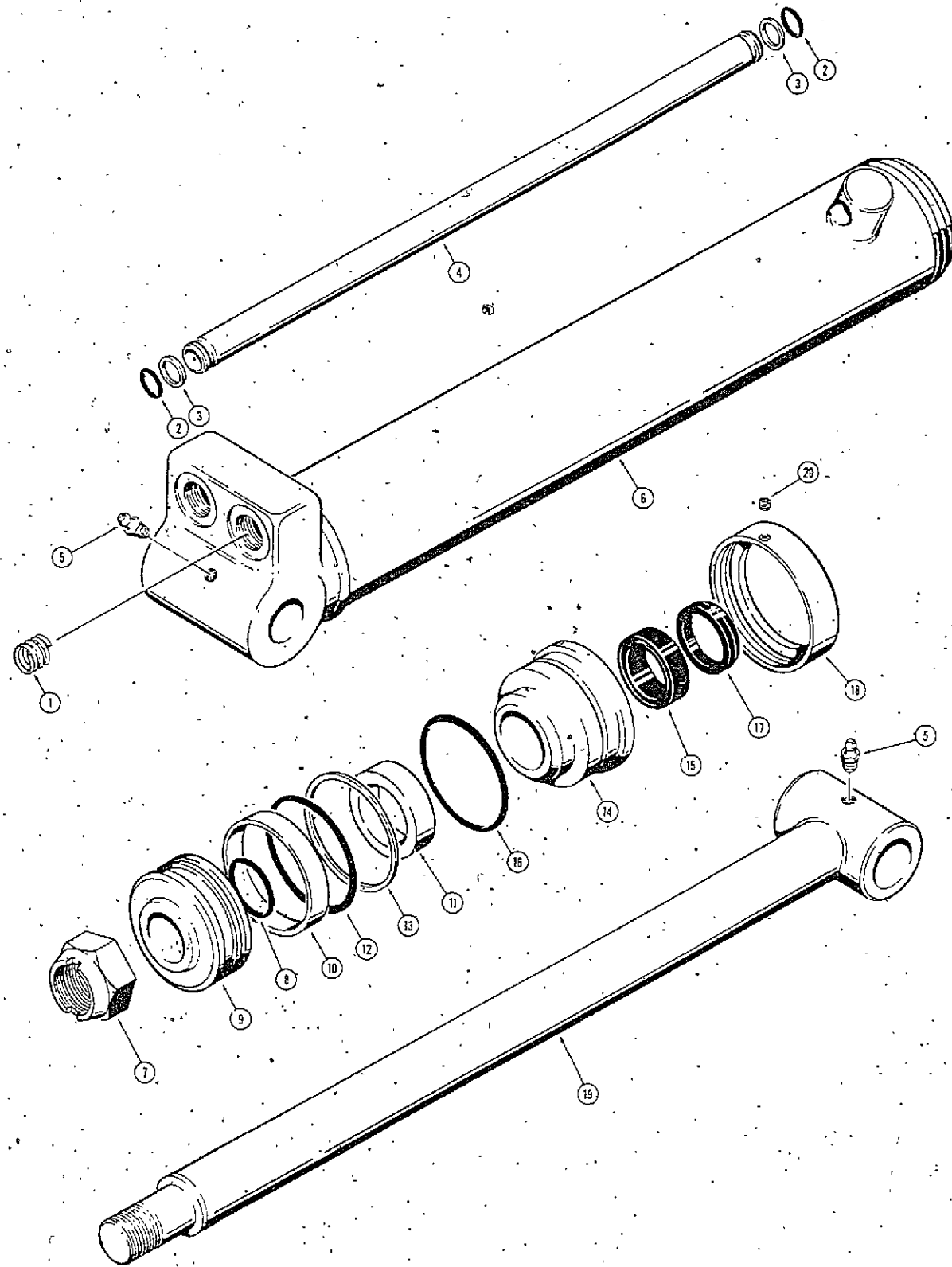


REF.	PART NO.	DESCRIPTION	REQ'D
H	607697	CYLINDER - boom, dipper arm and bucket, 3" (76 mm) ID x 15" (381 mm) stroke	3
H	602607	KIT - manifold	1
1	H 286013	- SPRING - manifold	1
2	218- 5007	O-RING	2
3	H 745620	RING - backup	2
4	NSS	TUBE - hydraulic, manifold	1
5	219- 1	GREASE FITTING - straight, 1/8" NPT	2
6	H 608265	TUBE - cylinder	1
7	131- 1141	NUT - hex self lock, 1-1/8" - 12 NF	1
8	R 15366	O-RING - piston rod, small	1
9	H 298059	PISTON	1
10	H 754614	WASHER - backup	2
11	D 38755	O-RING - piston, large	1
12	H 298108	SPACER - piston	1
13	A 27996	O-RING - gland, large	1
14	H 223081	GLAND	1
15	T 13224	O-RING - gland, small	1
16	H 745687	WASHER - backup	1
17	H 222935	WIPER - rod	1
18	H 223032	CAP - gland retaining	1
19	H 608257	ROD - piston, 1-1/2" (38 mm) dia	1
*H	608224	KIT - seal, includes all items preceded by an asterisk	1

****NOTE:** Use H621573 kit for rework of cylinder. This converts H607697 cylinder to H623637 cylinder - see page 55.

742288

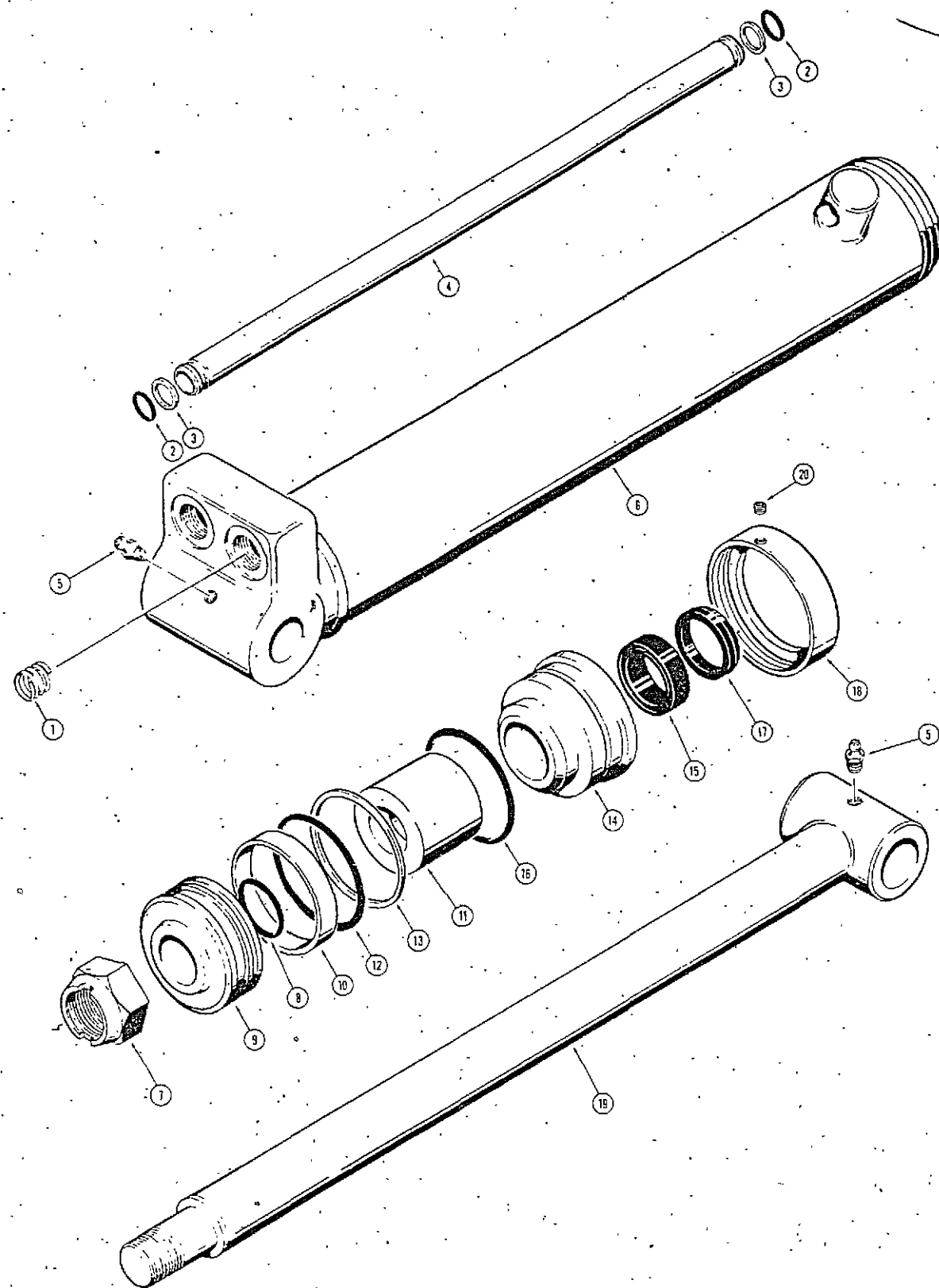
**H621029 BOOM, DIPPER ARM AND BUCKET CYLINDER
LANTEX #RW2903-BL (GLAND RETAINED BY THREADED CAP)**



REF.	PART NO.	DESCRIPTION	REQ'D
H	621029	CYLINDER - boom, dipper arm and bucket 3" (76 mm) ID x 15" (381 mm) stroke	3
H	602607	KIT - manifold	1
1	H 286013	SPRING - manifold	1
2	218- 5007	O-RING	2
3	H 745620	RING - backup	2
4	NSS	TUBE - hydraulic, manifold	1
5	219- 1	GREASE FITTING - straight, 1/8" NPT	2
6	H 608265	TUBE - cylinder	1
7	131- 1141	NUT - hex self lock, 1-1/8" - 12 NF	1
8	*R 15365	O-RING - piston rod, small	1
9	NSS	PISTON	1
10	NSS	RING - wear	1
11	H 298018	SPACER - piston	1
12	NSS	O-RING	1
13	NSS	SEAL - piston	1
14	H 328781	GLAND	1
15	*H 247809	SEAL - rod	1
16	*A 27996	O-RING - large	1
17	*H 222935	WIPER - rod	1
18	H 330423	CAP - gland retaining	1
19	H 608257	ROD - piston, 1-1/2" (38 mm) dia	1
20	178- 878	SCREW - set, 5/16" - 18 NC x 5/16"	1
*H	621037	KIT - seal, includes all items preceded by an asterisk	1

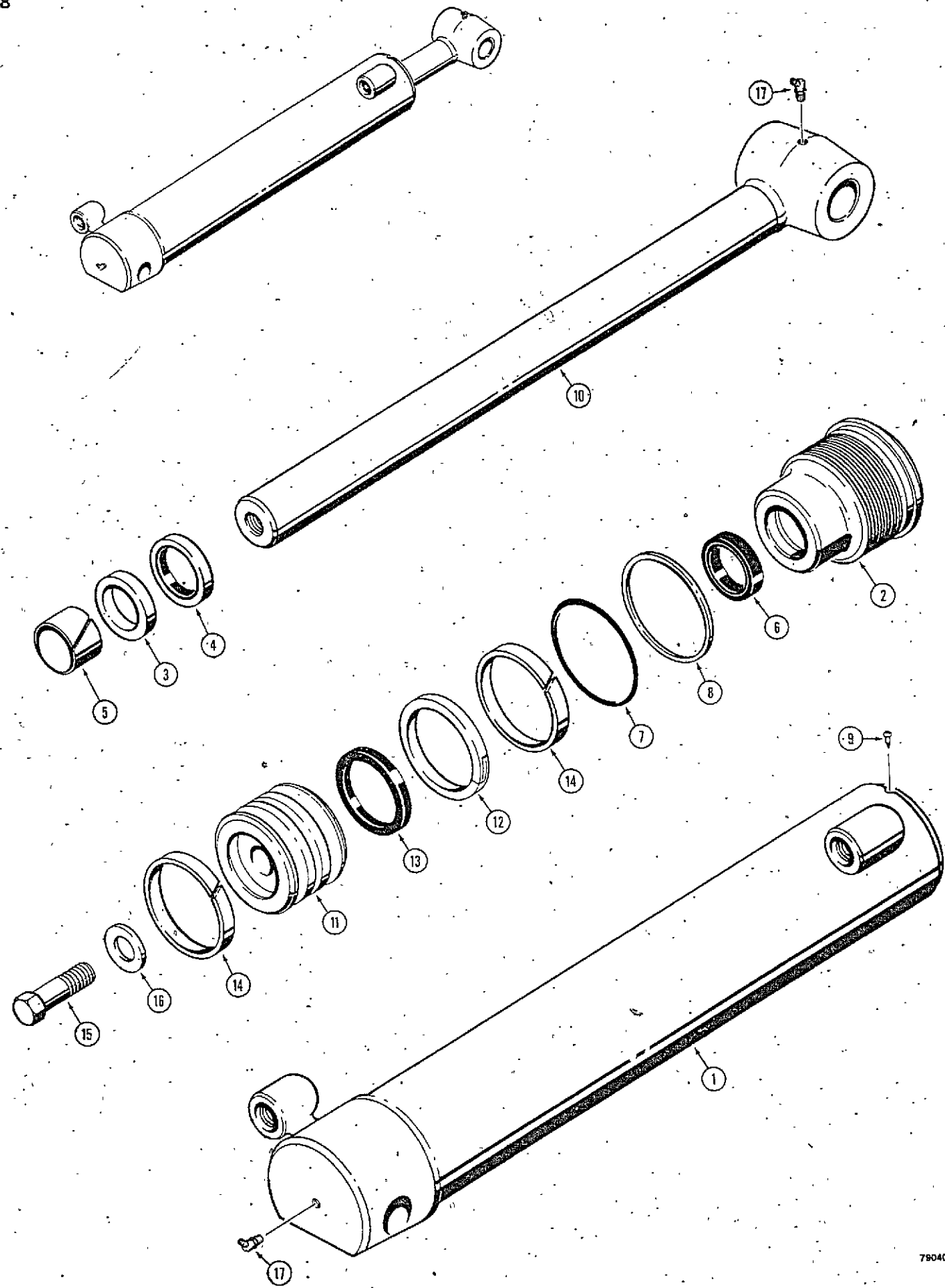
770388

**H623637 BOOM, DIPPER ARM AND BUCKET CYLINDER
LANTEX #3358-BL (GLAND RETAINED BY THREADED CAP)**



REF.	PART-NO.	DESCRIPTION	REQ'D
	H 623637	CYLINDER - boom, dipper arm and bucket, 3" (76 mm) ID x 15" (381 mm) stroke	3
	H 602607	KIT - manifold	1
1	H 286013	SPRING - manifold	1
2	A 29197	O-RING	2
3	H 745620	RING - backup	2
4	NSS	TUBE - hydraulic, manifold	1
5	219-21	GREASE FITTING - straight, 1/8" NPT	2
6	H 625285	TUBE - cylinder	1
7	131-372	NUT - hex self lock, 1-1/4" - 12 NF	1
8	*H 744730	O-RING - piston rod, small	1
9	H 334557	PISTON	1
10	NSS	RING - wear	1
11	H 334565	SPACER - piston	1
12	*A 27996	O-RING - large	1
13	NSS	SEAL - piston	1
14	H 328781	GLAND	1
15	*H 247809	SEAL - rod	1
16	*A 27996	O-RING - large	1
17	*H 222935	WIPER - rod	1
18	H 330423	CAP - gland retaining	1
19	H 625277	ROD - piston, 1-1/2" (38 mm) dia	1
	*H 623645	KIT - seal, includes all items preceded by an asterisk	1

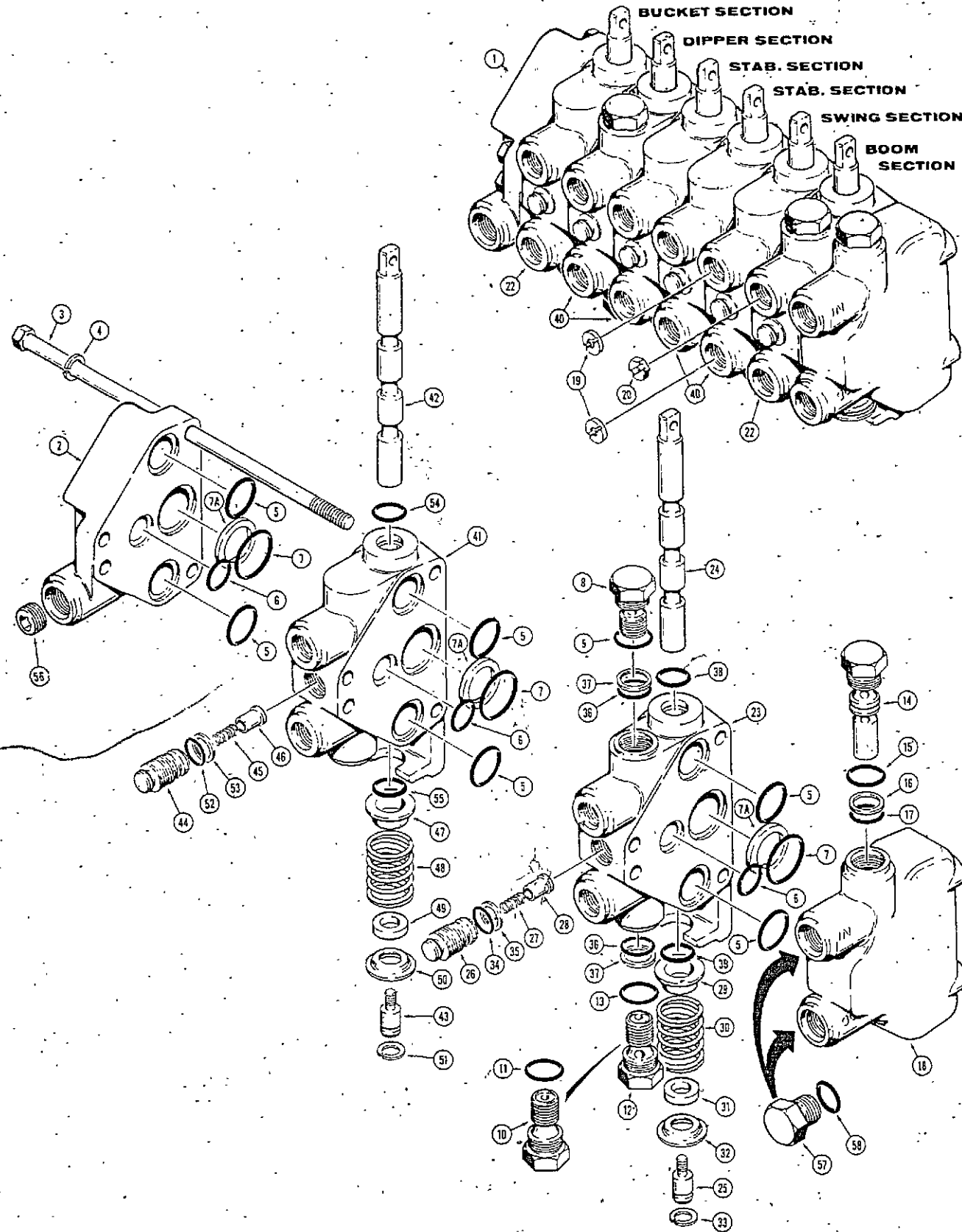
770389



**G100936 BOOM, DIPPER ARM AND BUCKET CYLINDER
CYLINDER PART NUMBER STAMPED ON GLAND**

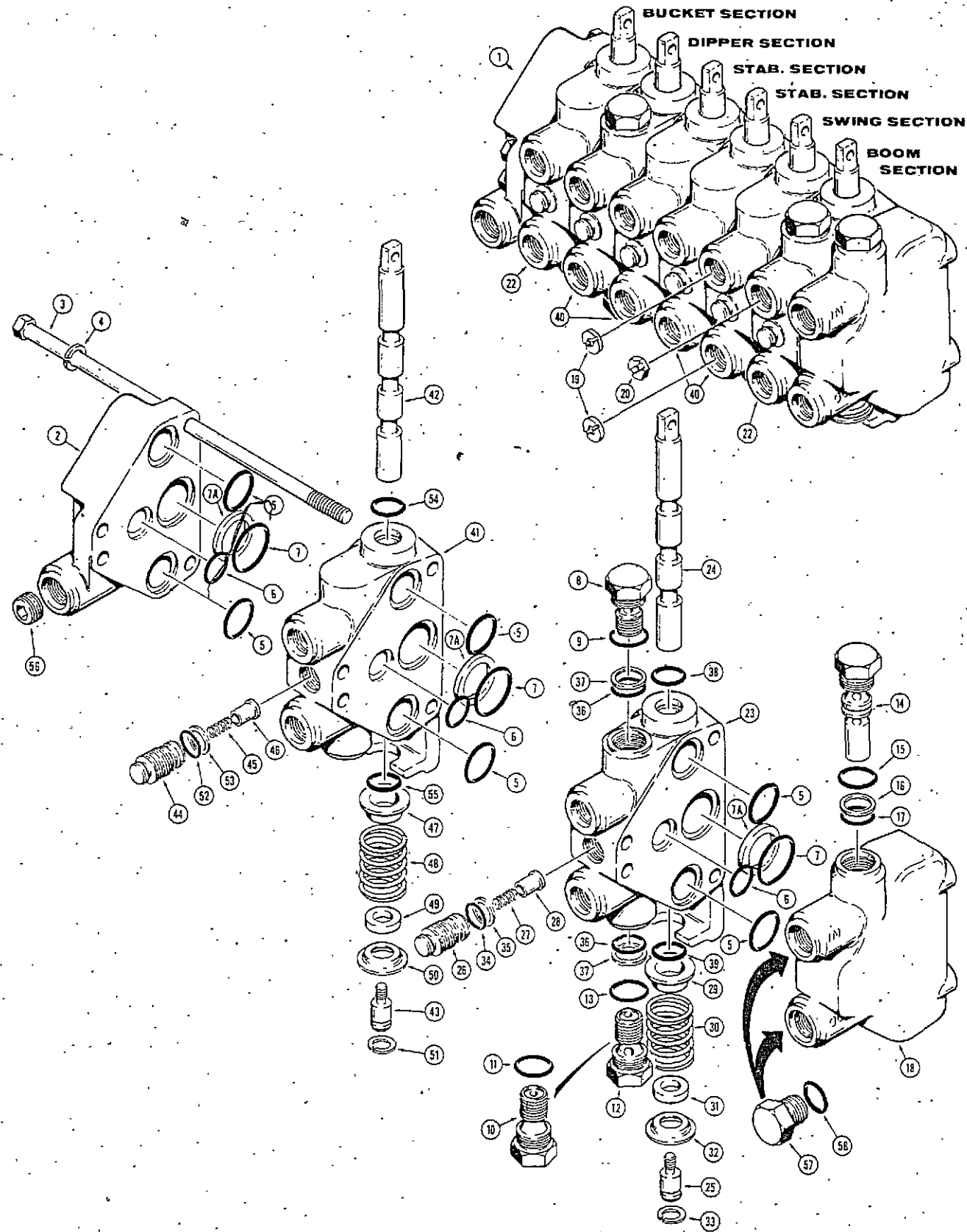
REF.	PART NO.	DESCRIPTION	REQ'D
G	100936	CYLINDER - boom, dipper arm and bucket, 3" (76 mm) ID x 14-5/8" (371 mm) stroke	3
1	G 100937	TUBE - cylinder	1
	G 34328	GLAND ASSEMBLY - cylinder	1
2	NSS	GLAND - cylinder	1
3	NSS	RING - retaining	1
4	*D 95142	WIPER - piston rod	1
5	*G 34302	BEARING - center	1
6	*D 36969*	SEAL - piston rod	1
7	*A 30095	O-RING - gland	1
8	*G 32122	RING - backup	1
9	187- 1031	SCREW - self tapping, no. 8 - 32 NC x 1/4"	1
10	G 101357	ROD - piston, 1-1/2" (38 mm) OD	1
11	G 100442	PISTON - cylinder	1
12	*G 102288	SEAL - piston	1
13	*G 100444	RING - backup	1
14	*G 100449	RING - wear	2
15	28- 1232	BOLT - hex, 3/4" - 16 NF x 2", grade 8*	1
16	G 32317	WASHER - hardened	1
17	219- 36	GREASE FITTING - 45°, 1/8" NPT	2
	*G 102404	KIT - seal, includes all items with an asterisk	1
	**G 100776	SEAL - piston rod, service option - severe heat or cold	1

**H619767 CONTROL VALVE
ALL COMPACT LOADERS**



REF.	PART NO.	DESCRIPTION	REQ'D
1	H 619767	VALVE - control	1
2	HO 52803	OUTLET SECTION - valve	1
3	HO 52811	BOLT - section retaining	4
4	192- 21	WASHER - lock, 3/8", plated	4
	*HO 52969	KIT - seal, section to section	1
5	H 745752	O-RING - middle size	14
6	F 62114	O-RING - small	7
7	A 32180	O-RING - large	7
7A	H 210849	WASHER - backup	7
	H 351791	VALVE - relief, boom section, top	1
	HO 52829	VALVE - relief, dipper section, top	1
8	NSS	BODY - relief valve	1
9	A 27365	O-RING	1
10	HO 52837	PLUG - dipper section	1
	H 644450	VALVE - relief, boom section, bottom	1
11	A 27365	O-RING - H644450 and H351791 valve	1
12	NSS	BODY - relief - H644450 and H351791 valve	1
13	A 27365	O-RING - H644450 and H351791 valve	1
	H 226415	VALVE - relief, outlet section 644 and 646 models	1
	H 629980	VALVE - relief, inlet and outlet section, 646B models	1
14	NSS	BODY - relief	1
	H 120089	KIT - seal, H120121 and H629980 valves	1
15	A 27365	O-RING - large	1
16	G 32626	WASHER - backup	1
17	A 7982	O-RING - small	1
18	HO 52852	INLET AND-OUTLET SECTION - valve	1
19	HO 60178	ORIFICE - swing section	2
20	HO 52878	ORIFICE - boom section, upper	1
21		RESERVED	
22	H 513630	BOOM AND DIPPER ARM SECTION - valve	2
23	NSS	BODY - valve section	1
24	NSS	SPOOL - valve section	1
25	NSS	END - spool	1
26	HO 52886	CHECK - lift	1
27	FH 730374	SPRING - check	1
28	FH 730366	PLUNGER - check	1
29	HO 52902	RETAINER - spring, deep	1
30	HO 52928	SPRING - spool return	1
31	HO 47555	SPACER - spring	1
32	F 59116	RETAINER - spring, shallow	1
33	A 27804	RING - retaining	1
	*HO 52985	KIT - seal, includes items 34-39	1
34	16905	O-RING - check	1
35	H 746883	WASHER - backup, check	1
	*HO 52951	KIT - valve seal, all kits preceded by an asterisk are part of HO52951 kit	1

Continued on next page



**H619767 CONTROL VALVE
ALL COMPACT LOADERS**

REF.	PART NO.	DESCRIPTION	REQ'D
36	A 27365	O-RING - relief valves and plug	2
37	A 44179	WASHER - backup, relief valve and plug	2
38	F 37887	O-RING - spool, upper	1
39	A 7982	O-RING - spool, lower	1
40	H 513648	BUCKET, STABILIZER AND SWING SECTION - valve	4
41	NSS	BODY - valve section	1
42	NSS	SPOOL - valve section	1
43	NSS	END - valve spool	1
44	HO 52886	CHECK - lift	1
45	FH 730374	SPRING - check	1
46	FH 730366	PLUNGER - check	1
47	HO 52902	RETAINER - spring, deep	1
48	HO 52928	SPRING - spool return	1
49	HO 47555	SPACER - spring	1
50	F 59116	RETAINER - spring, shallow	1
51	A 27804	RING - retaining	1
	*HO 52977	KIT - seal	1
52	16905	O-RING - check	1
53	H 746883	WASHER - backup, check	1
54	F 37887	O-RING - spool, upper	1
55	A 7982	O-RING - spool, lower	1
56	221- 842	PLUG - hex socket, if used	1
57	218- 5157	PLUG - hex head	1
58	218- 5007	O-RING	1
	*HO 52951	KIT - valve seal, all kits preceded by an asterisk are part of HO52951 kit	1

NUMERICAL INDEX

PART NO	PAGE	REF	PART NO	PAGE	REF	PART NO	PAGE	REF
16905	61	34	A 27365	85	36	A 32180	61	7
16905	63	52	A 27365	87	73	A 32180	65	7
16905	65	34	A 27804	61	33	A 35698	87	72
16905	67	52	A 27804	63	51	A 35898	107	12
16905	85	34	A 27804	65	33	A 35901	107	11
16905	87	52	A 27804	67	51	A 41785	47	17
16905	97	2	A 27804	85	33	A 41785	89	16
23119	107	5	A 27804	87	51	A 41785	95	19
A 7156	45	12	A 27804	87	79	A 41785	103	19
A 7623	45	22	A 27996	51	12	A 43250	91	17
A 7982	61	17	A 27996	53	13	A 44179	61	37
A 7982	61	39	A 27996	55	16	A 44179	67	37
A 7982	63	55	A 27996	57	12	A 70250	73	13
A 7982	65	17	A 27996	57	16	D 26265	87	70
A 7982	67	39	A 27996	89	12	D 31410	85	6
A 7982	67	55	A 27996	89	13	D 31971	109	11
A 7982	85	16	A 27996	93	9	D 31975	109	1
A 7982	85	39	A 27996	95	16	D 31975	109	14
A 7982	87	55	A 27996	99	12	D 31979	109	8
A 7982	87	78	A 27996	101	13	D 31980	109	9
A 8613	49	2	A 27996	103	16	D 31981	109	10
A 13184	109	3	A 28318	49	12	D 33805	69	36
A 13184	109	12	A 28318	91	14	D 33805	71	36
A 14051	41	46	A 28318	97	12	D 34089	25	7A
A 14506	93	7	A 28318	105	11	D 36040	27	19
A 14506	107	10	A 29197	47	2	D 36969	49	16
A 23904	93	6	A 29197	57	2	D 36969	59	6
A 23904	107	7	A 29197	101	2	D 36969	91	6
A 27355	47	7	A 30095	49	14	D 36969	97	16
A 27355	89	8	A 30095	59	7	D 36969	105	7
A 27355	95	10	A 30095	91	7	D 37732	23	23
A 27355	103	10	A 30095	97	14	D 38755	45	19
A 27358	87	74	A 30095	105	8	D 38755	47	10
A 27365	45	7	A 30097	47	11	D 38755	51	11
A 27365	45	9	A 30097	95	1	D 38755	53	11
A 27365	61	9	A 30097	103	1	D 38755	99	11
A 27365	61	11	A 30338	23	5	D 38755	101	11
A 27365	61	13	A 30338	31	21	D 40236	27	18
A 27365	61	15	A 30338	33	27	D 43403	23	25
A 27365	61	36	A 30825	29	7	D 52694	27	21
A 27365	65	9	A 30825	87	76	D 52694	109	
A 27365	65	11	A 30916	47	14	D 52800	27	9
A 27365	65	13	A 30916	89	11	D 52800	109	
A 27365	65	15	A 30916	89	14	D 52898	25	2
A 27365	67	36	A 30916	93	9	D 52899	25	9
A 27365	85	10	A 30916	95	14	D 52900	25	10
A 27365	85	14	A 30916	103	14	D 52901	25	4
A 27365	85	18	A 31183	107	8	D 52901	29	

NUMERICAL INDEX

PART NO	PAGE	REF	PART NO	PAGE	REF	PART NO	PAGE	REF
D 53344	9	5	D 68960	15	17	F 8236	95	4
D 53583	9	15	D 68960	17	17	F 8236	103	4
D 53584	9	16	D 68960	19	17	F 36082	87	60
D 53585	9	6	D 70255	17	1	F 37887	61	38
D 53586	9	19	D 70380	15	16	F 37887	63	54
D 53586	9	7	D 70380	17	16	F 37887	67	38
D 53696	9	20	D 70531	15	13	F 37887	67	54
D 53697	9	2	D 70531	17	13	F 37887	85	38
D 53895	109	6	D 70531	19	13	F 37887	87	54
D 53915	109	2	D 70532	15	14	F 37887	87	77
D 53915	109	13	D 70532	17	14	F 59116	61	32
D 53916	109	4	D 70532	19	14	F 59116	63	50
D 54188	29	11	D 70634	29	14	F 59116	65	32
D 54189	29	13	D 70635	29	13	F 59116	67	50
D 54268	29	16	D 70636	29	11	F 59116	85	32
D 54269	29	17	D 70637	29	5	F 59116	87	50
D 54270	29	5	D 70638	29	10	F 59117	87	66
D 54271	29	7	D 70639	29	9	F 59121	99	1
D 54272	29	9	D 70641	29	2	F 62114	45	16
D 54273	29	8	D 70642	29	4	F 62114	61	6
D 54274	29	10	D 71641	15	5	F 62114	65	6
D 54275	29	3	D 71641	17	5	F 62235	31	11
D 54276	109	7	D 71641	19	5	F 62235	33	12
D 54861	49	1	D 71643	15	6	F 88054	61	
D 55131	11	5	D 71643	17	6	G 10389	89	10
D 55131	21	5	D 71643	19	6	G 10389	95	12
D 55880	27	13	D 73091	25	2	G 10389	103	12
D 55954	9	5	D 75978	23	21	G 32033	49	10
D 55954	9	18	D 75984	23	6	G 32034	49	11
D 56576	9		D 75985	23	7	G 32034	91	12
D 56576	13	10	D 76007	23	10	G 32034	97	11
D 56576	15	15	D 76008	23	11	G 32034	105	10
D 56576	17	15	D 76067	23	2	G 32122	49	15
D 60674	13	5	D 76102	27	7	G 32122	59	8
D 63445	13	9	D 76136	27	8	G 32122	91	8
D 63533	13	11	D 76536	27	14	G 32122	97	15
D 63534	13	12	D 76554	23	19	G 32122	105	9
D 63534	15	18	D 76555	23	20	G 32269	49	
D 63534	17	18	D 76759	27	15	G 32269	97	
D 63534	19	18	D 76847	19	1	G 32317	49	8
D 63916	15	1	D 77100	27	20	G 32317	59	16
D 63919	13	1	D 81310	23	1	G 32317	91	16
D 64103	25	4A	D 81310	71	1	G 32317	97	8
D 64103	29		D 95142	49	17	G 32317	105	15
D 65044	25	14	D 95142	59	4	G 32626	65	16
D 65045	25	13	D 95142	91	4	G 32626	85	15
D 65591	15	20	D 95142	97	17	G 33747	49	9
			D 95142	105	5	G 33747	91	11

NUMERICAL INDEX

PART NO	PAGE	REF	PART NO	PAGE	REF	PART NO	PAGE	REF			
G	33747	97	9	H	102749	81	33	H	120154	103	7
G	33747	105	12	H	109652	73	2	H	120162	95	21
G	34174	97		H	109678	69	31	H	120162	103	21
G	34175	97	6	H	109777	69	9	H	120170	95	3
G	34179	97	19	H	109777	71	9	H	120170	103	3
G	34179	105	16	H	109793	73	3	H	120188	89	10
G	34183	97	5	H	109801	73	20	H	120188	89	11
G	34186	49		H	109819	73	25	H	120188	95	11
G	34187	49	6	H	109827	73	39	H	120188	103	11
G	34191	49	19	H	110114	73	41	H	120196	95	
G	34193	49	5	H	110247	77	12	H	120279	93	1
G	34302	59	5	H	110247	81	12	H	120287	93	15
G	34302	91	5	H	110254	77	9	H	120295	93	3
G	34302	105	6	H	110254	81	9	H	120311	93	
G	34328	49		H	110262	77	3	H	120329	89	4
G	34328	59		H	110262	81	3	H	120337	89	2
G	34328	91		H	110270	69	12	H	120345	89	1
G	34328	97		H	110270	71	12	H	120352	89	19
G	34328	105		H	111468	79	38	H	120352	89	20
G	34478	49	3	H	111468	83	38	H	120360	89	17
G	34480	97	3	H	111575	69	33	H	120360	89	19
G	34656	91		H	111575	71	33	H	120378	89	
G	34656	105		H	111583	69	34	H	120386	107	2
G	100442	59	11	H	111583	71	34	H	120394	107	14
G	100444	59	13	H	112581	77	28	H	120402	107	16
G	100449	59	14	H	112581	81	28	H	120410	107	4
G	100449	91	13	H	112599	77	29	H	120428	107	15
G	100449	97	10	H	112599	81	29	H	120436	107	13
G	100449	105	13	H	112607	77	23	H	120444	107	
G	100776	59		H	112607	81	23	H	120683	73	12
G	100776	91		H	112615	79	16	H	122309	73	10
G	100776	105		H	114272	81	24	H	122309	73	11
G	100905	91		H	115725	79	33	H	132985	85	
G	100906	91	1	H	119024	87	59	H	162974	95	5
G	100912	91	10	H	119032	87	58	H	162974	103	5
G	100931	105		H	119040	87	63	H	166314	93	12
G	100932	105	1	H	119255	87	56	H	169318	41	16
G	100936	59		H	119263	87	64	H	191908	41	12
G	100937	59	1	H	120071	87		H	191916	41	45
G	101357	59	10	H	120089	65		H	191924	41	44
G	102288	59	12	H	120097	85		H	194977	69	16
G	102404	59		H	120105	85		H	210849	61	7A
H	47555	63	49	H	120105	87		H	210849	65	7A
H	52548	39	9	H	120121	85		H	210849	85	8
H	56952	33	25	H	120147	89	7	H	213033	83	26
H	102749	37	12	H	120147	95	9	H	215202	45	5
H	102749	41	23	H	120147	103	9	H	215269	47	21
H	102749	77	32	H	120154	95	7	H	215277	47	22

NUMERICAL INDEX

PART NO	PAGE	REF	PART NO	PAGE	REF	PART NO	PAGE	REF			
H	218263	69	43	H	276758	43	27	H	363903	89	2A
H	218263	71	43	H	286013	51	1	H	374157	89	2
H	219006	41	19	H	286013	53	1	H	513630	61	22
H	222935	51	17	H	286013	55	1	H	513630	65	22
H	222935	53	17	H	286013	57	1	H	513630	85	22
H	222935	55	17	H	286013	99	3	H	513648	63	40
H	222935	57	17	H	286013	101	1	H	513648	67	40
H	222935	99	16	H	298018	55	11	H	513648	87	40
H	222935	101	17	H	298018	101	12	H	513671	39	21
H	223032	53	18	H	298059	53	9	H	513689	39	20
H	223032	101	18	H	298059	101	9	H	513697	39	19
H	223073	51	9	H	298108	53	12	H	513788	61	1
H	223073	99	8	H	308726	31	7	H	514109	47	
H	223081	51	13	H	308726	31	8	H	514117	31	15
H	223081	53	14	H	313981	33	5	H	514117	37	37
H	223081	99	13	H	313981	33	22	H	514117	41	41
H	223081	101	14	H	313981	33	29	H	514117	45	
H	223123	93	12	H	313981	69	47	H	514125	31	26
H	223263	51	14	H	313981	71	47	H	514125	37	38
H	223263	93	13	H	313981	73	4	H	514125	41	34
H	223263	99	17	H	313981	73	17	H	514125	45	
H	226415	61		H	313981	73	22	H	514380	31	32
H	226415	65		H	313981	73	27	H	514430	37	25
H	226415	85		H	328781	55	14	H	514448	37	26
H	240085	71	31	H	328781	57	14	H	514455	37	31
H	244921	43	23	H	330423	55	18	H	514463	37	32
H	247809	55	15	H	330423	57	18	H	514554	31	14
H	247809	57	15	H	334391	81	12	H	514562	31	19
H	252825	89	7	H	334557	57	9	H	514570	31	20
H	252833	89	9	H	334565	57	11	H	514588	37	2
H	256842	85	20	H	351510	71	16	H	514588	41	2
H	257048	33	32	H	351791	61		H	514596	31	37
H	268516	43	3	H	351791	65		H	514620	33	8
H	268524	43	4	H	351791	85		H	514687	33	15
H	268532	41	39	H	352989	103	9A	H	514760	37	27
H	268540	43	6	H	352997	107	4A	H	514778	37	28
H	268540	43	23	H	356675	83	42	H	514786	37	29
H	268557	43	5	H	356725	83	33	H	514794	37	30
H	268565	43	24	H	356733	83	16	H	528323	79	4
H	270272	83	16	H	356741	81	28	H	528331	79	5
H	270280	83	33	H	356758	81	23	H	528547	73	9
H	270637	83	5	H	356758	81	29	H	528679	95	
H	270645	83	4	H	357855	43	3A	H	528687	79	20
H	274043	93	15	H	357863	43	24	H	528695	79	19
H	274050	93	3	H	357897	83	43	H	528703	79	15
H	274068	93	8	H	357905	83	44	H	528711	79	14
H	275255	41	42	H	357913	81	29	H	528729	79	32
H	276758	39	29	H	357921	81	28	H	528737	79	31

NUMERICAL INDEX

PART NO	PAGE REF	PART NO	PAGE REF	PART NO	PAGE REF
H 528844	77 18	H 602508	51 6	H 745620	53 3
H 528844	79 1	H 602516	51 18	H 745620	55 3
H 528844	81 18	H 602532	99 6	H 745620	57 3
H 528844	83 1	H 602540	99 18	H 745620	99 2
H 528844	85 1	H 602599	99	H 745620	101 3
H 528877	69	H 602599	101	H 745646	87 75
H 528885	89	H 602607	51	H 745661	85 37
H 528893	77 13	H 602607	53	H 745687	51 16
H 528893	81 13	H 602607	55	H 745687	53 16
H 529412	79 6	H 602607	57	H 745687	99 15
H 529412	83 6	H 607697	53	H 745687	101 16
H 529420	73 31	H 607713	101	H 745695	89 12
H 529503	69 11	H 608224	53	H 745695	93 10
H 529511	69 17	H 608232	101 19	H 745752	61 5
H 529511	71 17	H 608240	101 6	H 745752	65 5
H 530493	107	H 608257	53 19	H 745760	89 13
H 530501	93	H 608257	55 19	H 745760	89 14
H 533638	69 42	H 608265	53 6	H 745760	95 17
H 533646	69 45	H 608265	55 6	H 745760	103 17
H 533646	71 45	H 619767	65 1	H 745786	93 14
H 583070	89	H 621029	55	H 745794	47 18
H 585216	71 11	H 621037	55	H 745794	89 18
H 586263	89	H 621573	101	H 745794	95 20
H 587485	51	H 623637	57	H 745794	103 20
H 587485	99	H 623645	57	H 746164	85 31
H 587782	93	H 625186	81 13	H 746164	87 48
H 593376	43 19	H 625277	57 19	H 746172	95 6
H 593384	43 18	H 625285	57 6	H 746172	103 6
H 593392	43 17	H 625731	69 41	H 746297	45 24
H 593400	41 31	H 625731	71 41	H 746859	85 19
H 593418	41 30	H 625756	31 42	H 746883	61 35
H 593426	41 37	H 629980	65	H 746883	63 53
H 593434	41 38	H 630145	71	H 746883	65 35
H 593442	41 35	H 630285	107	H 746883	67 53
H 593459	41 36	H 630293	103	H 746883	85 35
H 593467	41 27	H 630319	83 14	H 746883	87 53
H 593475	41 26	H 630327	83 15	H 747170	31 6
H 594382	83 20	H 632851	103	H 747170	31 39
H 594390	83 19	H 632992	71 28	H 747170	69 3
H 594408	83 32	H 644450	65	H 747170	69 27
H 594416	83 31	H 743583	93 7	H 747170	71 3
H 594424	83 14	H 743591	45 3	H 752212	95 2
H 594432	83 15	H 744052	89 9	H 752212	103 2
H 596072	93	H 744730	57 8	H 754614	45 18
H 596080	93 14	H 744730	93 5	H 754614	47 9
H 596098	93 1	H 745588	47 9	H 754614	51 10
H 600841	51	H 745596	45 4	H 754614	53 10
H 601880	99	H 745620	51 3	H 754614	93 6

NUMERICAL INDEX

PART NO	PAGE REF	PART NO	PAGE REF	PART NO	PAGE REF
H 754614	99 10	T 31052	89 15	T 41554	21 6
H 754614	101 8	T 31052	95 15	T 41758	11 14
H 754614	101 10	T 31052	103 15	T 41758	21 14
H 754622	47 3	T 31053	93 13	T 42308	21 2A
H 754994	93 8	T 31057	93 5	T 42308	23 4
H 755009	107 9	T 31057	107 6	T 42647	21 1A
H 756049	89 8	T 40222	11 3	T 42648	11 1A
H 757492	85 5	T 40222	13 3	FH 730341	85 29
H 758011	89 2B	T 40222	15 3	FH 730366	61 28
H 905109	35 6	T 40222	17 3	FH 730366	63 46
H 905117	35 6	T 40222	19 3	FH 730366	65 28
H 905125	35 6	T 40222	21 3	FH 730366	67 46
H 905133	35 6	T 40366	9	FH 730366	85 28
H 905158	35 1	T 40366	11 13	FH 730366	87 46
H 905166	35 1	T 40366	19 16	FH 730366	87 69
H 905174	35 1	T 40366	21 13	FH 730374	61 27
H 905182	35 1	T 40366	23 3	FH 730374	63 45
H 905190	35 1	T 40677	11 1	FH 730374	65 27
H 905380	33	T 40685	11 2A	FH 730374	67 45
H 907683	31	T 40685	11 2B	FH 730374	87 45
H 909036	75 1	T 40685	13 2	HO 26468	77 4
H 909044	75 1	T 40685	15 2	HO 26468	81 4
H 909051	75 1	T 40685	17 2	HO 31161	31 18
H 909077	75 5	T 40685	19 2	HO 35279	37 21
H 909085	75 5	T 40686	11 2	HO 35279	41 17
H 909093	75 5	T 40691	11 12	HO 35279	77 7
H 909101	75 5	T 40691	19 15	HO 35279	81 7
L 13903	71 27	T 40691	21 12	HO 35766	69 28
L 14340	47 12	T 40722	21 1	HO 35865	69 19
L 30443	87 71	T 40732	21 2B	HO 35865	71 19
L 30443	97 1	T 40733	21 2C	HO 35980	69 40
L 31330	29 6	T 40735	21 2	HO 35980	71 40
R 12509	29 15	T 41166	35 5	HO 36640	69 18
R 15365	55 8	T 41166	35 10	HO 36640	71 18
R 15366	51 8	T 41166	75 4	HO 36640	73 33
R 15366	53 8	T 41166	75 8	HO 36640	75 2
R 15366	99 9	T 41332	25 1	HO 36640	75 6
R 24323	15 10	T 41332	25 15	HO 36657	35 4
R 24323	17 10	T 41332	25 18	HO 44875	69 48
R 24323	19 10	T 41523	11 1A	HO 44875	71 48
R 30990	85 7	T 41530	11 8	HO 45468	79 23
S 6905	61 16	T 41530	21 8	HO 46888	83 41
S 99941	77 24	T 41534	25 16	HO 47514	85 27
T 13224	51 15	T 41547	25 17	HO 47514	87 68
T 13224	53 15	T 41550	21 1A	HO 47555	61 31
T 13224	93 4	T 41551	11 5	HO 47555	65 31
T 13224	99 14	T 41551	21 5	HO 47555	67 49
T 13224	101 15	T 41554	11 6	HO 47555	87 49

NUMERICAL INDEX

PART NO	PAGE	REF	PART NO	PAGE	REF	PART NO	PAGE	REF
HO 50369	31	36	HO 52571	43	8	HO 52902	63	47
HO 50377	31	23	HO 52571	79	42	HO 52902	65	29
HO 50435	33	9	HO 52589	39	17	HO 52902	67	47
HO 50526	33	2	HO 52589	43	15	HO 52902	87	47
HO 50559	37	20	HO 52654	45	10	HO 52928	61	30
HO 50658	33	14	HO 52662	45	13	HO 52928	63	48
HO 50682	33	34	HO 52670	45	17	HO 52928	65	30
HO 50690	33	18	HO 52688	45	14	HO 52928	67	48
HO 50690	33	28	HO 52696	45	21	HO 52928	85	30
HO 50690	69	46	HO 52704	45		HO 52928	87	65
HO 50690	71	46	HO 52712	47	1	HO 52951	61	
HO 50690	73	15	HO 52720	47	4	HO 52951	63	
HO 50690	73	34	HO 52738	47	5	HO 52951	65	
HO 50716	37	15	HO 52746	47	8	HO 52951	67	
HO 50716	41	11	HO 52753	47	13	HO 52969	61	
HO 50724	31	27	HO 52753	95	13	HO 52969	65	
HO 50823	35	2	HO 52753	103	13	HO 52977	63	
HO 50823	35	7	HO 52761	47	16	HO 52977	67	
HO 50823	73	32	HO 52761	89	15	HO 52977	87	
HO 50831	31	12	HO 52761	89	17	HO 52985	61	
HO 50880	37	11	HO 52761	95	18	HO 52985	65	
HO 50880	41	22	HO 52761	103	18	HO 52985	85	
HO 50914	37	14	HO 52779	47	17	HO 53009	45	1
HO 50914	41	13	HO 52787	47	19	HO 53017	45	2
HO 50922	37	16	HO 52795	47		HO 53025	45	6
HO 50922	77	2	HO 52803	61	2	HO 53033	45	8
HO 50922	81	2	HO 52803	65	2	HO 53041	45	
HO 50930	37	17	HO 52803	85	2	HO 53793	33	19
HO 50930	77	1	HO 52811	61	3	HO 53793	73	6
HO 50930	81	1	HO 52811	65	3	HO 53793	73	28
HO 51433	39	7	HO 52811	85	3	HO 56184	33	10
HO 51441	39	8	HO 52829	61		HO 56184	33	17
HO 51458	39	5	HO 52829	65		HO 56184	35	3
HO 51466	39	6	HO 52837	61	10	HO 56184	35	8
HO 51474	37	33	HO 52837	65	10	HO 56192	31	38
HO 51482	39	26	HO 52852	61	18	HO 56192	33	16
HO 51748	39	18	HO 52852	65	18	HO 56945	33	3
HO 51748	43	16	HO 52852	85	21	HO 59055	75	3
HO 51755	39	24	HO 52878	61	20	HO 59345	79	30
HO 51755	43	22	HO 52878	65	20	HO 59345	83	30
HO 51763	39	12	HO 52886	61	26	HO 60178	61	19
HO 51763	43	10	HO 52886	63	44	HO 60178	65	19
HO 51870	31	16	HO 52886	65	26	HO 60178	85	20
HO 52068	31	13	HO 52886	67	44	HO 60616	33	26
HO 52399	39	25	HO 52886	85	26	HO 61283	35	9
HO 52548	43	7	HO 52886	87	44	HO 61283	75	7
HO 52548	79	41	HO 52886	87	67	HO 61424	35	11
HO 52571	39	10	HO 52902	61	29	HO 61432	35	11

NUMERICAL INDEX

PART NO	PAGE	REF	PART NO	PAGE	REF	PART NO	PAGE	REF		
HO 61440	35	11	28-	1232	105	14	113-	209	73	5
HO 61459	35	11	83-	44	49	4	113-	219	33	21
HO 70623	69	7	83-	44	97	4	113-	248	31	2
HO 70623	71	7	92-	4	25	6	113-	335	37	3
HO 76851	69	35	92-	5	9	13	113-	335	41	3
HO 76851	71	35	92-	5	9	24	113-	335	77	16
HO 77024	69	2	92-	6	15	22	113-	335	81	16
HO 77024	71	2	92-	6	25	6	113-	410	13	6
HO 79285	69	4	92-	8	11	10	113-	424	31	43
HO 79285	71	4	92-	8	13	7	113-	427	23	12
HO 79285	73	37	92-	8	15	11	113-	604	31	29
HO 80283	79	26	92-	8	17	11	113-	620	23	9
HO 83436	37	18	92-	8	19	11	113-	650	31	28
HO 83444	37	19	92-	8	21	10	113-	728	69	23
HO 95877	69	38	92-	12	69	24	113-	728	71	23
HO 95877	71	38	92-	12	71	24	113-	907	23	16
HO 98897	83	11	95-	5	9	9	113-	925	23	14
HO 98897	83	23	95-	5	9	22	113-	926	23	15
13-	452	25	95-	9	77	5	114-	101	9	8
13-	616	15	95-	9	81	5	114-	101	9	21
13-	636	25	95-	525	41	8	114-	201	73	21
13-	820	11	113-	3	39	11	114-	203	73	16
13-	820	21	113-	3	43	9	114-	216	73	26
13-	828	15	113-	4	39	27	129-	100	23	18
13-	828	17	113	4	43	25	129-	101	39	14
13-	828	19	113-	103	79	36	129-	101	39	23
13-	836	15	113-	103	83	36	129-	101	43	12
13-	836	17	113-	104	79	7	129-	101	43	21
13-	836	19	113-	104	79	9	129-	102	79	13
13-	848	15	113-	104	79	21	129-	102	79	25
13-	848	17	113-	104	83	7	129-	102	79	40
13-	848	19	113-	104	83	9	129-	102	83	13
25-	104	25	113-	104	83	21	129-	102	83	25
25-	105	9	113-	121	39	15	129-	102	83	40
25-	106	15	113-	121	39	22	129-	103	31	5
25-	106	25	113-	121	43	13	129-	103	33	7
25-	108	11	113-	121	43	20	129-	103	33	24
25-	108	15	113-	205	27	10	129-	103	69	51
25-	108	17	113-	207	69	15	129-	103	71	15
25-	108	19	113-	207	71	15	129-	103	71	51
25-	108	21	113-	208	27	16	129-	103	73	8
25-	115	9	113-	208	31	33	129-	105	13	8
25-	115	9	113-	208	33	30	129-	105	31	46
25-	2424	71	113-	208	37	6	129-	107	31	31
28-	1232	49	113-	208	41	6	129-	110	23	22
28-	1232	59	113-	208	69	49	129-	123	73	19
28-	1232	91	113-	208	71	49	129-	123	73	24
28-	1232	97	113-	209	33	4	129-	123	73	30

NUMERICAL INDEX

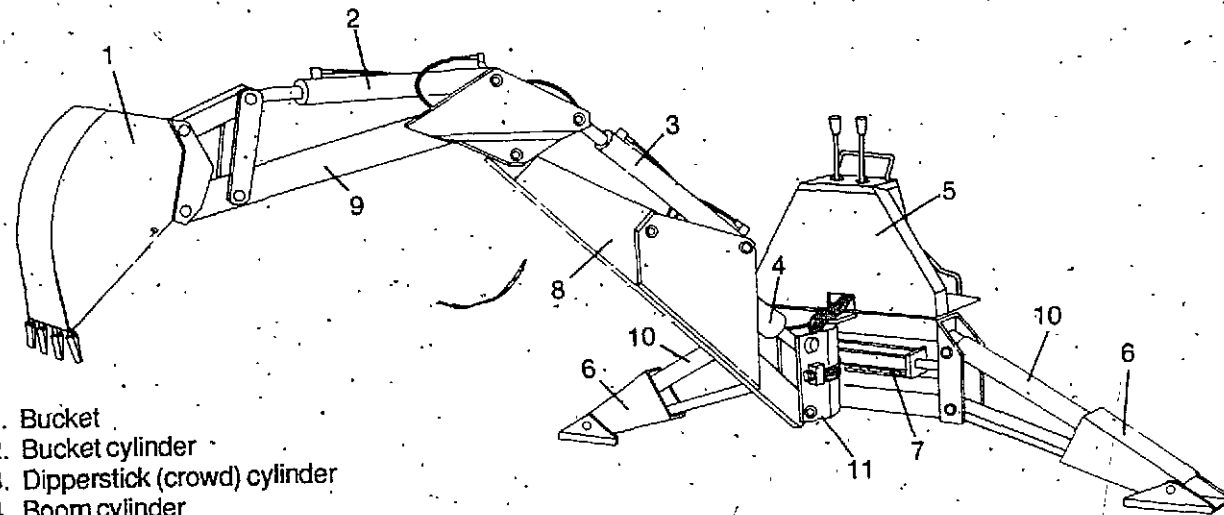
PART NO	PAGE	REF	PART NO	PAGE	REF	PART NO	PAGE	REF			
129-	125	77	15	132-	314	71	10	192-	20	77	11
129-	125	81	15	132-	314	73	35	192-	20	79	8
129-	128	69	25	132-	314	73	40	192-	20	79	12
129-	128	71	25	132-	319	71	29	192-	20	79	24
129-	143	41	43	132-	349	69	5	192-	20	79	29
129-	148	69	22	132-	349	71	5	192-	20	79	39
129-	148	71	22	132-	355	69	8	192-	20	81	11
131-	31	9	10	132-	355	69	32	192-	20	83	8
131-	31	9	23	132-	355	71	8	192-	20	83	24
131-	176	69	13	136-	159	13	13	192-	20	83	29
131-	176	71	13	136-	159	15	19	192-	20	83	39
131-	269	93	2	136-	159	17	19	192-	21	27	12
131-	369	107	3	136-	159	19	19	192-	21	27	17
131-	370	51	7	136-	164	11	7	192-	21	31	4
131-	370	99	7	136-	164	21	7	192-	21	31	34
131-	371	89	6	138-	98	41	9	192-	21	33	6
131-	371	95	8	138-	127	89	3	192-	21	33	23
131-	371	103	8	138-	2002	37	13	192-	21	33	31
131-	372	57	7	138-	2002	77	6	192-	21	37	7
131-	372	93	2	138-	2002	81	6	192-	21	41	7
131-	1037	31	41	164-	91	71	20	192-	21	61	4
131-	1037	69	30	164-	211	69	20	192-	21	65	4
131-	1121	45	15	178-	53	31	36	192-	21	69	50
131-	1141	47	6	178-	413	29	1	192-	21	71	50
131-	1141	53	7	178-	413	29	3	192-	21	73	7
131-	1141	55	7	178-	859	29	12	192-	21	73	18
131-	1141	89	6	178-	878	55	20	192-	21	73	23
131-	1141	101	7	187-	1031	49	18	192-	21	73	29
131-	1171	31	24	187-	1031	59	9	192-	21	85	4
131-	1181	69	15	187-	1031	91	9	192-	22	37	4
132-	5	37	22	187-	1031	97	18	192-	22	41	4
132-	5	41	18	187-	1031	105	2	192-	22	77	17
132-	5	77	8	187-	1069	31	9	192-	22	81	17
132-	5	81	8	187-	1069	37	9	192-	23	23	13
132-	15	24	4	187-	1069	41	20	192-	23	31	45
132-	20	33	35	187-	1069	77	10	192-	23	77	14
132-	48	31	17	187-	1069	81	10	192-	23	81	14
132-	152	33	33	187-	1070	79	28	192-	25	23	8
132-	152	69	44	187-	1070	83	28	192-	27	69	21
132-	152	71	44	192-	19	39	13	192-	27	71	21
132-	159	11	4	192-	19	39	28	192-	102	83	12
132-	159	13	4	192-	19	43	11	192-	311	31	40
132-	159	15	4	192-	19	43	26	192-	311	69	29
132-	159	17	4	192-	20	31	10	193-	545	9	4
132-	159	19	4	192-	20	37	10	193-	545	9	17
132-	313	71	32	192-	20	39	16	195-	454	33	13
132-	313	73	38	192-	20	41	21	195-	521	79	10
132-	314	69	10	192-	20	43	14	195-	521	79	22

NUMERICAL INDEX

PART NO	PAGE	REF	PART NO	PAGE	REF	PART NO	PAGE	REF			
195-	521	79	37	218-	5007	29	12	219-	8	31	47
195-	521	83	10	218-	5007	29	14	219-	8	33	37
195-	521	83	22	218-	5007	37	36	219-	8	69	37
195-	521	83	37	218-	5007	41	25	219-	8	71	37
195-	525	27	11	218-	5007	51	2	219-	8	73	43
195-	525	31	35	218-	5007	53	2	219-	8	93	16
195-	525	37	8	218-	5007	55	2	219-	13	47	20
195-	529	37	5	218-	5007	63	57	219-	36	59	17
195-	529	41	5	218-	5007	67	58	219-	36	105	17
195-	533	31	44	218-	5007	77	20	221-	842	67	56
195-	541	31	25	218-	5007	85	12	221-	842	87	80
195-	541	31	30	218-	5058	77	21	221-	849	29	2
211-	6	109	5	218-	5058	81	21	221-	1843	107	1
211-	104	89	5	218-	5059	41	28	281-	5006	37	24
211-	311	89	5	218-	5059	79	2	281-	5007	81	20
218-	435	25	11	218-	5059	83	2	321-	1572	81	37
218-	465	25	12	218-	5065	27	5	321-	3054	37	39
218-	465	41	32	218-	5107	41	24	321-	3054	41	47
218-	485	25	3	218-	5123	27	3	321-	3054	77	33
218-	555	25	8	218-	5128	81	30	321-	3054	81	34
218-	921	77	30	218-	5154	29	16	321-	3182	73	45
218-	921	81	30	218-	5156	85	11	321-	3183	73	46
218-	5004	29	17	218-	5157	63	56	321-	3196	33	38
218-	5005	41	40	218-	5157	67	57	321-	3198	73	44
218-	5005	77	26	218-	5164	27	2	321-	3885	73	47
218-	5005	81	26	218-	5201	77	19	321-	3994	81	35
218-	5005	81	31	218-	5201	81	19	321-	3997	23	24
218-	5006	37	34	218-	5252	39	2	321-	4130	81	36
218-	5006	39	3	218-	5392	77	25	391-	620	69	39
218-	5006	39	4	218-	5392	81	25	391-	620	71	39
218-	5006	41	29	218-	5392	81	30				
218-	5006	41	33	218-	5403	37	23				
218-	5006	43	2	218-	5406	37	35				
218-	5006	77	22	219-	1	49	20				
218-	5006	79	3	219-	1	51	5				
218-	5006	79	17	219-	1	53	5				
218-	5006	79	27	219-	1	55	5				
218-	5006	79	34	219-	1	57	5				
218-	5006	81	22	219-	1	89	20				
218-	5006	83	3	219-	1	89	21				
218-	5006	83	17	219-	1	91	18				
218-	5006	83	27	219-	1	93	16				
218-	5006	83	34	219-	1	95	22				
218-	5007	27	4	219-	1	97	20				
218-	5007	27	6	219-	1	99	5				
218-	5007	27	2A	219-	1	101	5				
218-	5007	29	4	219-	1	103	22				
218-	5007	29	6	219-	1	107	17				

**BACKHOE
BH750WD
Parts Catalog 8-3060**

9-88-RP-500-107



- 1. Bucket
- 2. Bucket cylinder
- 3. Dipperstick (crowd) cylinder
- 4. Boom cylinder
- 5. Console
- 6. Stabilizer
- 7. Swing cylinder
- 8. Boom
- 9. Dipperstick (crowd)
- 10. Stabilizer cylinder
- 11. Kingpost (swing frame)

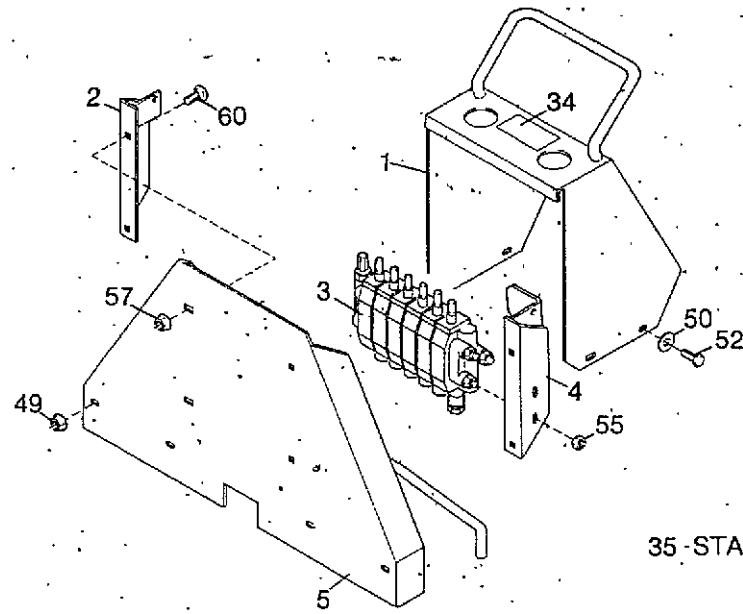
Backhoe Nomenclature

ALPHABETICAL INDEX

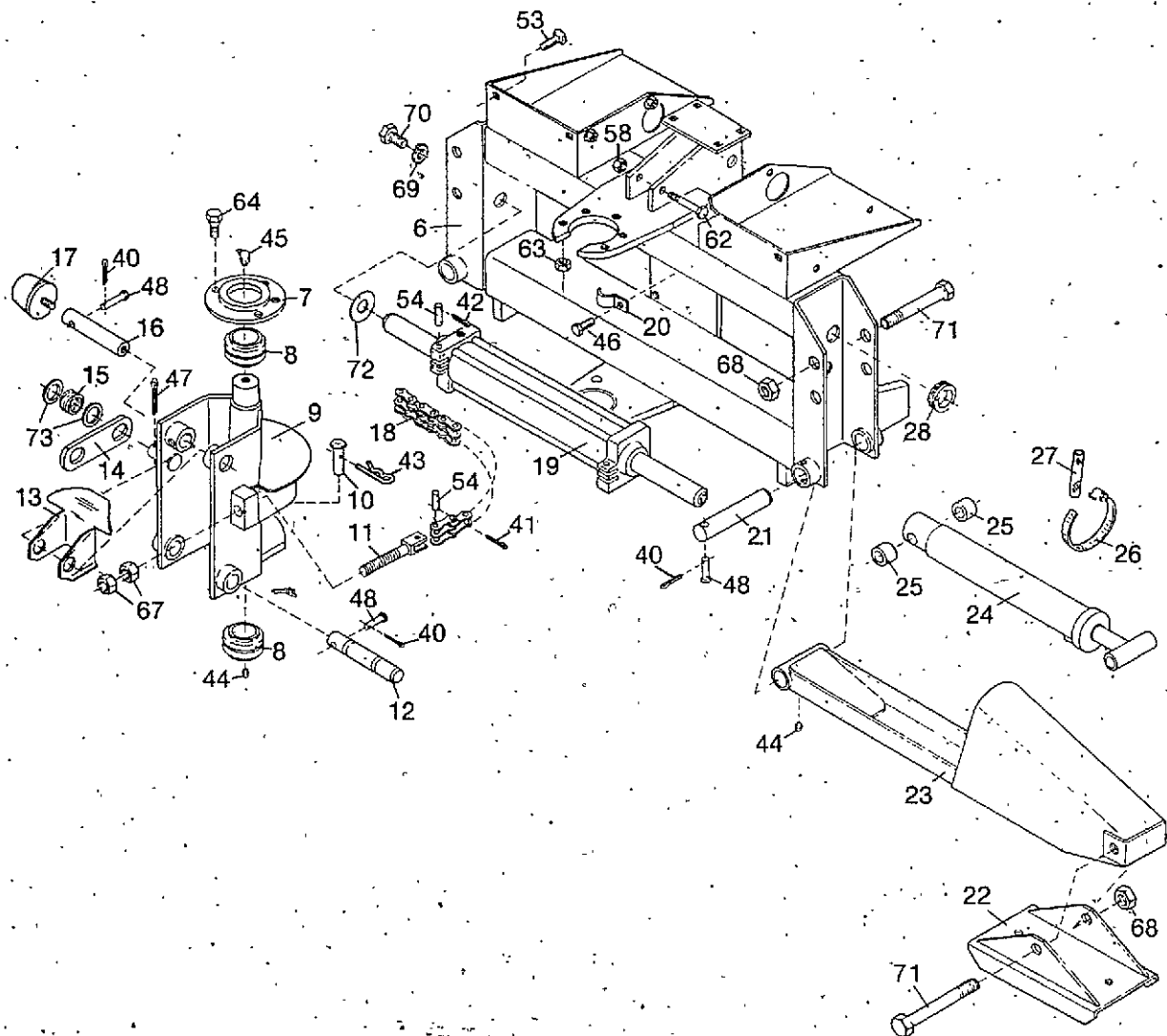
	PAGE	GRID
Buckets	7	E6
Controls	9	E8
Cylinders	13-15	E12-E14
Decals	17	F2
Dipperstick	7	E6
Frame - main	5	E4
Hoses	9	E8
Stabilizer	5	E4
Tooth - bucket	7	E6
Valve Assembly	11	E10

NOTE: See grid A2 for - D100 Backhoe
See grid G2 for - B98 Hydraulic Blower

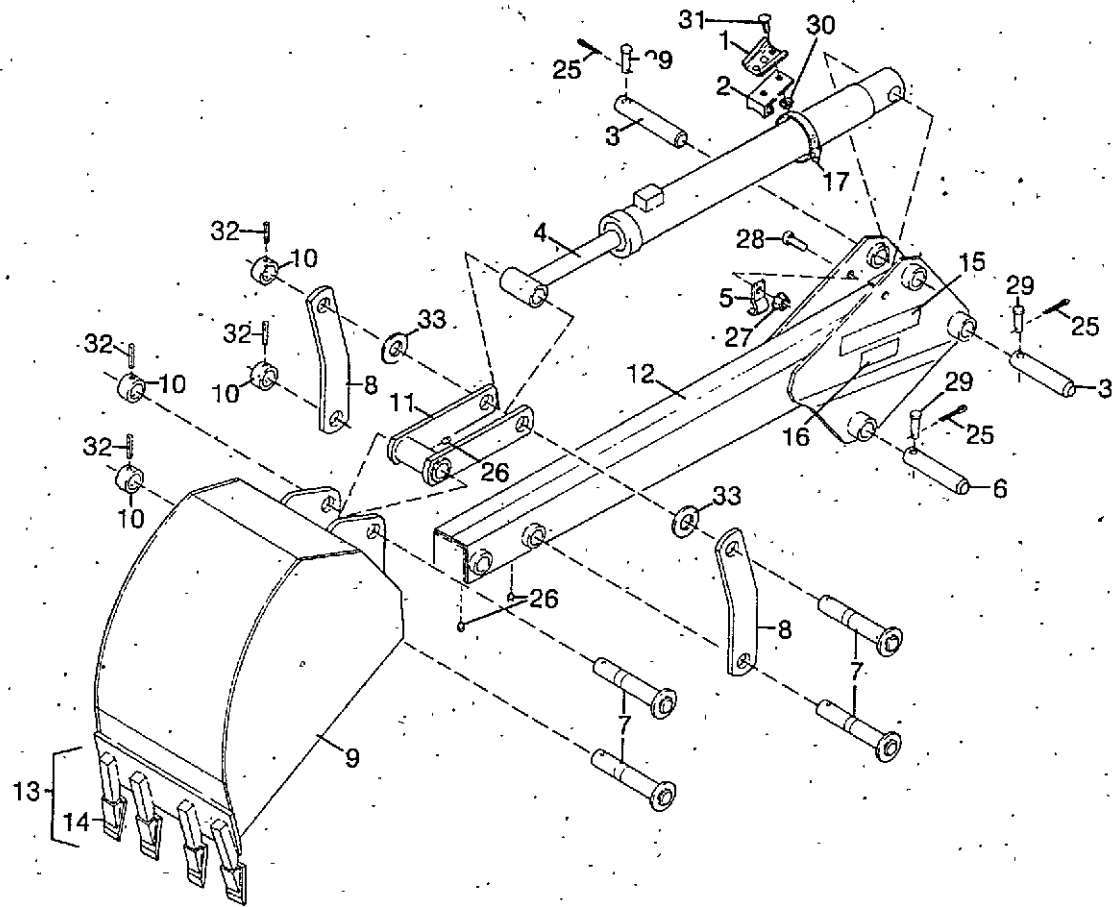
MAIN FRAME ASSEMBLY



35 - STABILIZER DECAL (NOT SHOWN)



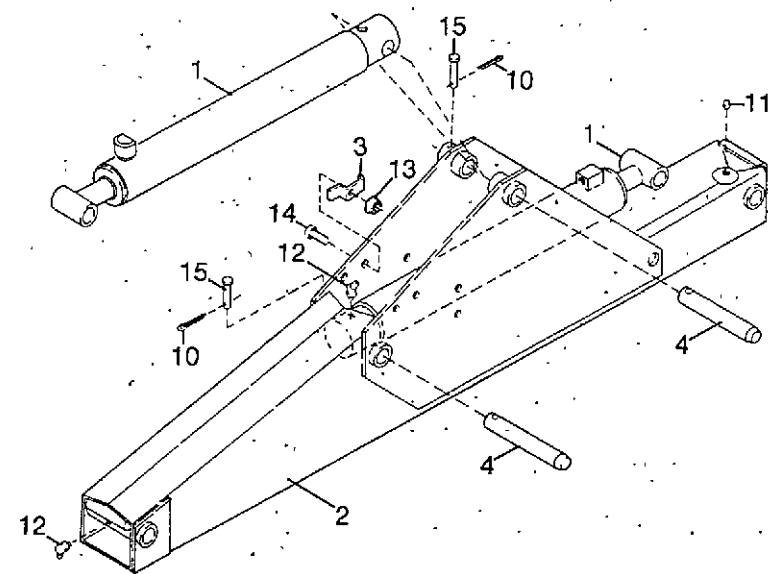
REF.	PART NO.	DESCRIPTION	REQ'D
1	C 31691	COVER - console	1
2	C 31714	BRACKET - valve R.H.	1
3	C 31692	VALVE - control (repairs page 11)	1
4	C 31715	BRACKET - valve L.H.	1
5	C 31693	PLATE - valve mounting	1
6	C 31690	FRAME - main	1
7	C 31698	CAP - swing frame	1
8	C 31806	BUSHING - ball 1-1/2" ID	2
9	C 31694	SWING FRAME	1
10	C 31713	PIN - swing lock	1
11	C 31697	BOLT - chain tension	2
12	C 31712	PIN - boom pivot	1
13	C 31703	GUIDE - hose	1
14	C 31702	PLATE - latch	1
15	C 31701	SPRING - compression .072" x .62"	1
16	C 31700	PIN - pivot	1
17	C 31699	PAD - bumper	2
18	C 31696	CHAIN - swing	2
19	C 31695	CYLINDER - hydraulic (repairs page 13)	1
20	C 31706	CLAMP - hose	2
21	C 31704	PIN - pivot	2
22	C 31711	PAD - stabilizer	2
23	C 31710	STABILIZER	2
24	C 31705	CYLINDER - hydraulic 2" x 14-1/2" (repairs page 15)	2
25	C 31716	BUSHING - 13/16" x 1-1/4" x 1"	4
26	C 31709	CLAMP - hose	2
27	C 31708	SHIELD - hose protector	2
28	C 31707	GROMMET	2
34	NSS	DECAL - control (see page 17)	1
35	NSS	DECAL - stabilizer (see page 17)	1
40	132- 6	PIN - cotter 1/16" x 5/8"	UAR
41	132- 330	PIN - cotter 3/32" x 1/2"	UAR
42	O/L	PIN - cotter 3/32" x 1-1/2"	UAR
43	O/L	PIN - cotter hairpin	UAR
44	219- 10	FITTING - grease, straight, 1/4" tapered thread	UAR
45	219- 57	FITTING - grease, 90°, 1/4" - 28 thread	UAR
46	113- 3	BOLT - 1/4" - 20 x 3/4", Grade 5	UAR
47	O/L	PIN - cotter 1/4" x 1-1/2"	UAR
48	C 31717	PIN - clevis 1/4" x 1-7/8"	UAR
49	131- 911	NUT - 5/16" flange lock	UAR
50	195- 102	WASHER - 5/16"	UAR
51	192- 20	LOCKWASHER - 5/16"	UAR
52	113- 102	BOLT - 5/16" NC x 3/4" Grade 5	UAR
53	111- 202	BOLT - carriage 5/16" NC x 3/4"	UAR
54	C 31718	PIN - chain	UAR
55	O/L	NUT - 8 mm x 1.25 mm	UAR
57	131- 938	NUT - 3/8" flange lock NC	UAR
58	131- 1181	NUT - lock 3/8" NC	UAR
60	111- 340	BOLT - carriage 3/8" NC x 3/4"	UAR
62	113- 241	BOLT - 3/8" NC x 3" Grade 5	UAR
63	O/L	NUT - lock 7/16" NF	UAR
64	C 31813	BOLT - 7/16" NF x 1-1/4" wheel	UAR
67	129- 107	NUT - 5/8" NC	UAR
68	131- 1331	NUT - lock 3/4" NC	UAR
69	192- 27	LOCKWASHER - 3/4"	UAR
70	O/L	BOLT - 3/4" NC x 1-1/2"	UAR
71	O/L	BOLT - 3/4" NC x 5-1/2" Grade 5	UAR
72	C 31719	WASHER - shim 13/16" x .010"	UAR
73	C 31720	BUSHING - 10 ga. x 1"	UAR



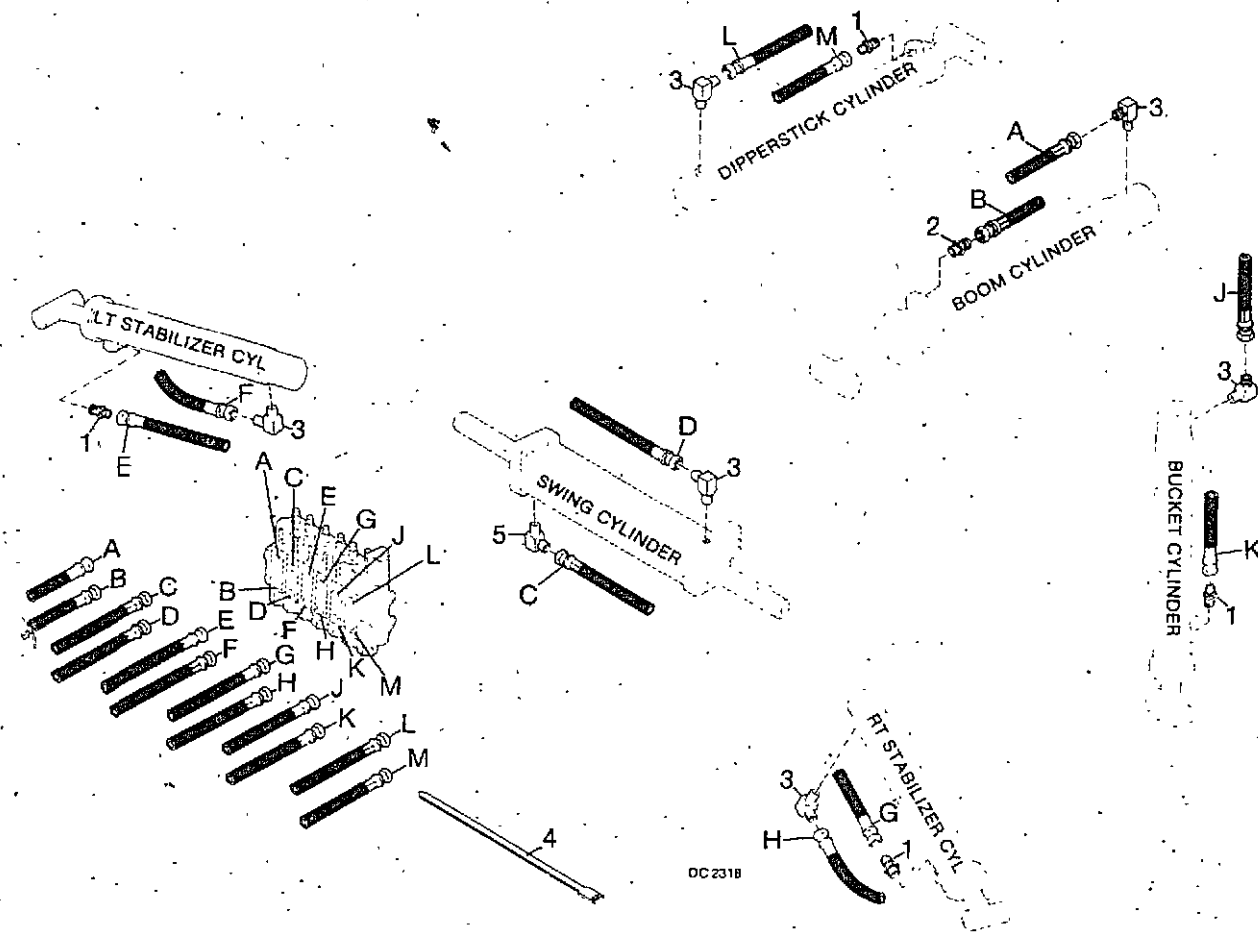
DIPPERSTICK AND BUCKET

REF.	PART NO.	DESCRIPTION	REQ'D
1	C 31725	SOCKET - SMV emblem	1
2	C 31726	BRACKET - socket	1
3	C 31727	PIN - pivot	2
4	C 31728	CYLINDER - hydraulic 2" x 16-3/4" (repairs page 13)	1
5	C 31706	CLAMP - hose	1
6	C 31712	PIN - boom pivot	1
7	C 31730	PIN - pivot	4
8	C 31731	LINK - pivot	2
9	NSS	BUCKET - 12" heavy duty (order from whole goods)	1
9	NSS	BUCKET - 16" heavy duty (order from whole goods)	1
9	NSS	BUCKET - 18" heavy duty (order from whole goods)	1
10	C 31735	SLEEVE - retaining	4
11	C 31736	ARM - bucket	1
12	C 31737	DIPPERSTICK	1
13	C 31738	SHANK AND TOOTH ASSEMBLY - 2/0	UAR
14	C 31739	TOOTH - bucket 2/0	UAR
17	C 31724	CLAMP - hose	1
25	132- 329	PIN - cotter 1/16" x 3/4	UAR
26	219- 10	FITTING - grease 1/4" - 28 tapered thread	UAR
27	131- 934	NUT - 1/4" NC flange lock	UAR
28	113- 1	BOLT - 1/4" NC x 1/2" Grade 5	UAR
29	O/L	PIN - clevis 1/4" x 1-7/8"	UAR
30	131- 911	NUT - 5/16" NC flange lock	UAR
31	O/L	Bolt - carriage 5/16" NC x 1/2"	UAR
32	138- 2054	PIN - spirol 5/16" x 1-3/4"	UAR
33	195- 2115	WASHER - 1"	UAR

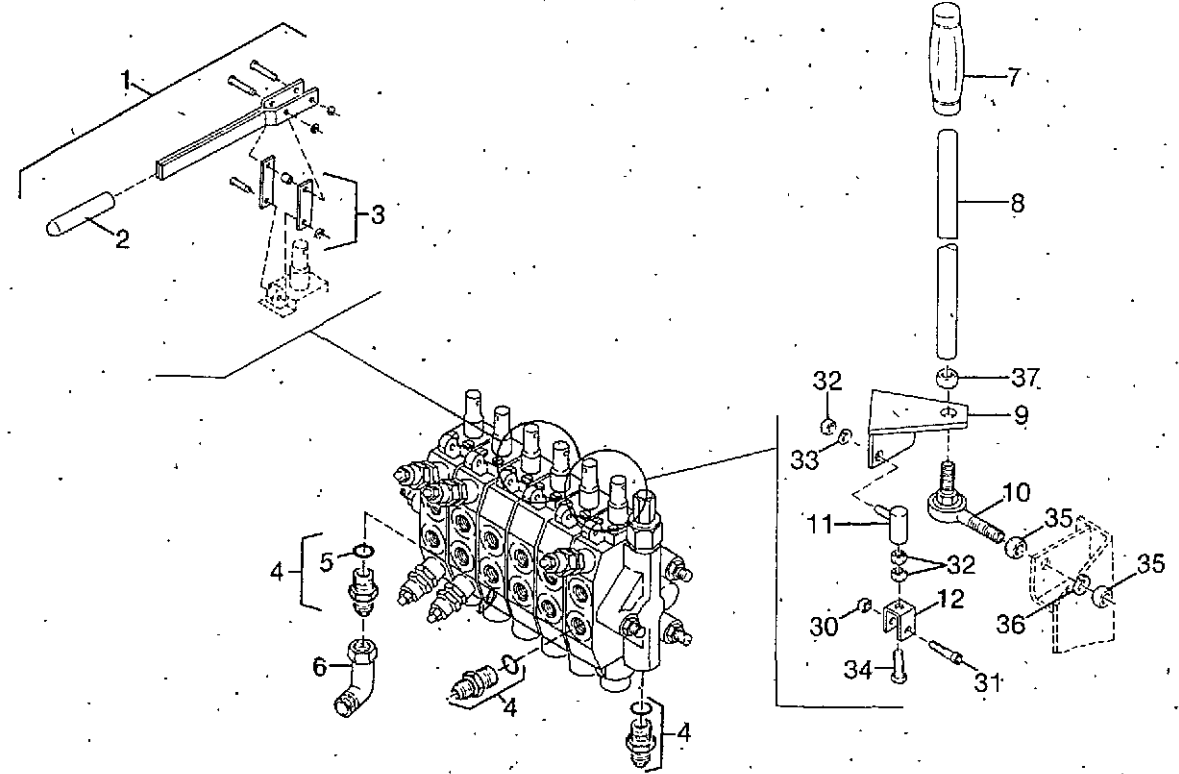
BOOM ASSEMBLY



1	C 31721	CYLINDER - hydraulic 2-1/2" x 16-3/4" (repairs page 15)	2
2	C 31812	BOOM - backhoe	1
3	C 31723	CLAMP - hose	1
4	C 31704	PIN - pivot	2
10	132- 6	PIN - cotter 1/16" x 5/8"	UAR
11	219- 10	FITTING - grease 1/4" - 28 tapered thread	UAR
12	219- 57	FITTING - grease 1/4" - 28 tapered thread 90°	UAR
13	131- 934	NUT - 1/4" NC lock, flanged	UAR
14	113- 17	BOLT - 1/4" NC x 1-1/4"	UAR
15	C 31717	PIN - clevis 1/4" x 1-7/8"	UAR



DC 2318



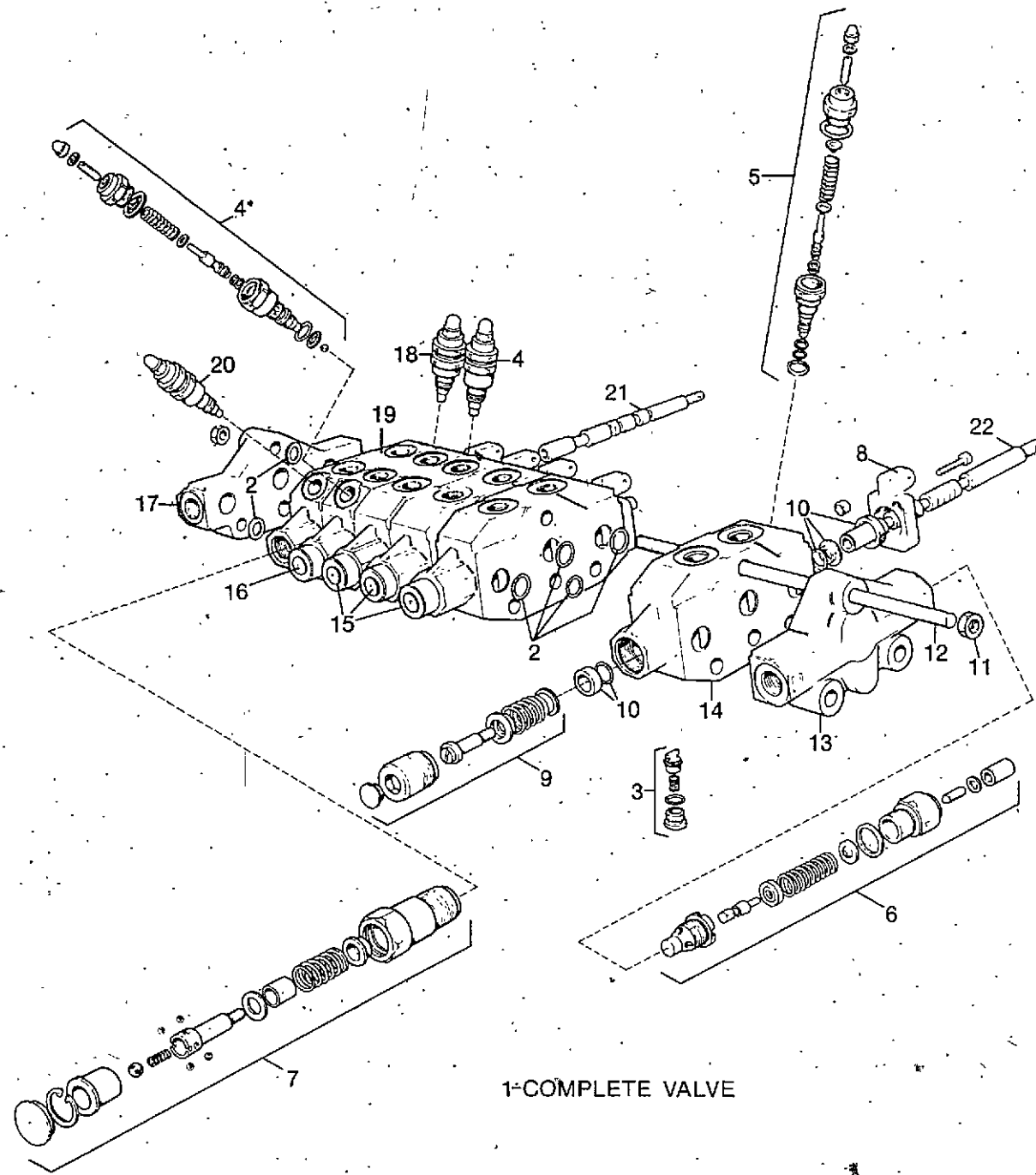
HOSES AND FITTINGS

REF.	PART NO.	DESCRIPTION	REQ'D
1	C 31740	CONNECTOR	4
2	C 31741	CONNECTOR - 9/16" x 1/4" male restrictor	1
3	C 31742	FITTING - 9/16" - 18 x 1/4 NPT 90°	6
4	C 31743	TIE - hose 7"	2
5	C 31744	FITTING - 9/16" x 1/4" NPT 90° (1/16" restriction)	1
A	C 31745	HOSE - female 9/16" - 18 flare x 99"	1
B	C 31745	HOSE - female 9/16" - 18 flare x 99"	1
C	C 31746	HOSE - female 9/16" - 18 flare x 49"	1
D	C 31746	HOSE - female 9/16" - 18 flare x 49"	1
E	C 31746	HOSE - female 9/16" - 18 flare x 49"	1
F	C 31747	HOSE - female 9/16" - 18 flare x 50"	1
G	C 31746	HOSE - female 9/16" - 18 flare x 49"	1
H	C 31747	HOSE - female 9/16" - 18 flare x 50"	1
J	C 31748	HOSE - female 9/16" - 18 flare x 124"	1
K	C 31749	HOSE - female 9/16" - 18 flare x 139"	1
L	C 31745	HOSE - female 9/16" - 18 flare x 99"	1
M	C 31745	HOSE - female 9/16" - 18 flare x 99"	1

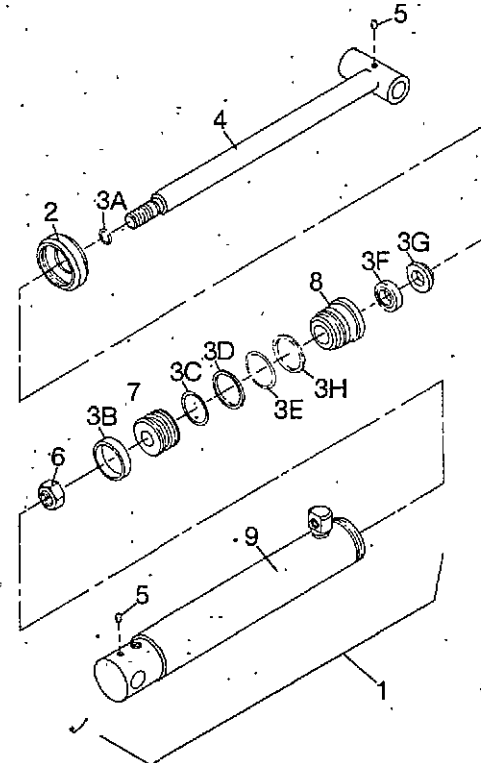
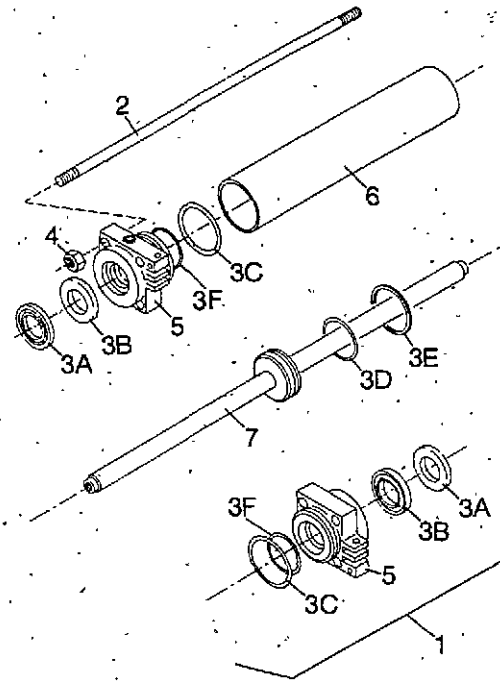
VALVE CONTROLS

1	C 31769	HANDLE ASSEMBLY - stabilizer	2
2	C 31770	GRIP - handle	1
3	C 31771	KIT - link	1
4	C 31772	CONNECTOR - 9/16" - 18 to O-ring	12
5	218- 5005	O-Ring - 7/16" ID x 3/32" wall	UAR
6	O/L	FITTING - 9/16" - 18 swivel nut elbow	1
7	C 31773	GRIP - handle	2
8	C 31774	HANDLE - control	2
9	C 31775	ARM - handle	2
10	C 31776	BALL JOINT - male stud	2
11	C 31777	BALL JOINT	4
12	C 31778	CLIP - connector	4
30	O/L	NUT - lock #8 - 32 NC	UAR
31	C 31814	BOLT - #8 - 32 x 1" socket head	UAR
32	O/L	NUT - 1/4" NF	UAR
33	192- 19	LOCKWASHER - 1/4"	UAR
34	O/L	BOLT - 1/4" NF x 1-1/4" full thread Grade 5	UAR
35	129- 123	NUT - 3/8" NF	UAR
36	192- 21	LOCKWASHER - 3/8"	UAR
37	129- 163	NUT - 3/8" NF jam	UAR

HYDRAULIC VALVE ASSEMBLY



REF.	PART NO.	DESCRIPTION	REQ'D
1	C 31692	VALVE - hydraulic	1
2	C 31750	KIT - repair, section seal	1
3	C 31751	VALVE - check	6
4	C 31752	VALVE - dampening (2000 psi)	2
5	C 31753	VALVE - dampening (2500 psi)	1
6	C 31754	VALVE - relief	1
7	C 31755	CONTROL - spool position	1
8	C 31756	BRACKET - lever	6
9	C 31757	CONTROL - spool position	5
10	C 31758	KIT - repair, spool	6
11	C 31759	NUT - 8 mm x 1.25 mm	6
12	C 31760	ROD - tie 8 mm x 1.25 mm x 276 mm	3
13	C 31761	INLET SECTION - valve (complete)	1
14	C 31762	DIPPERSTICK SECTION - valve (includes spool and reliefs)	1
15	C 31763	BUCKET OR STABILIZER SECTION - valve (includes spool and reliefs)	3
16	C 31764	SWING SECTION - valve (includes spool and reliefs)	1
17	C 31765	RETURN SECTION - valve	1
18	C 31766	VALVE - dampening (3500 psi)	1
19	C 31767	BOOM SECTION - valve (includes spool and reliefs)	1
20	C 31768	VALVE - dampening (2500 psi)	1
21	NSS	SPOOL - boom section (order complete section)	1
22	NSS	SPOOL - valve (order complete section)	1



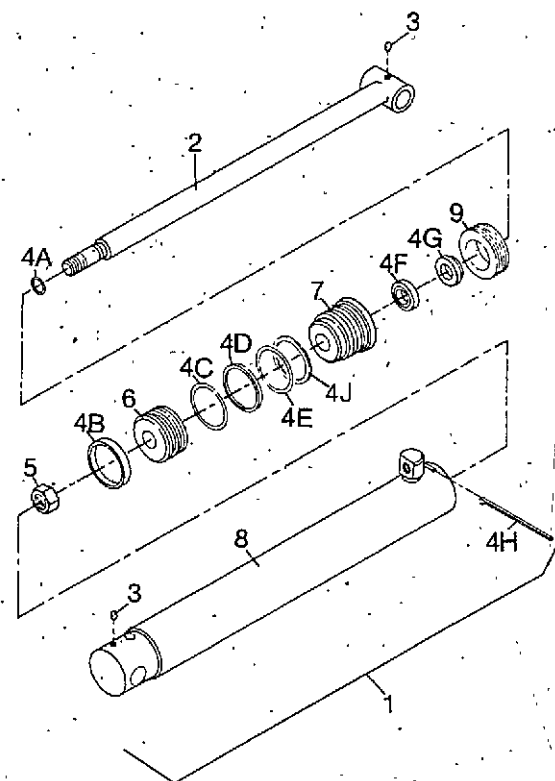
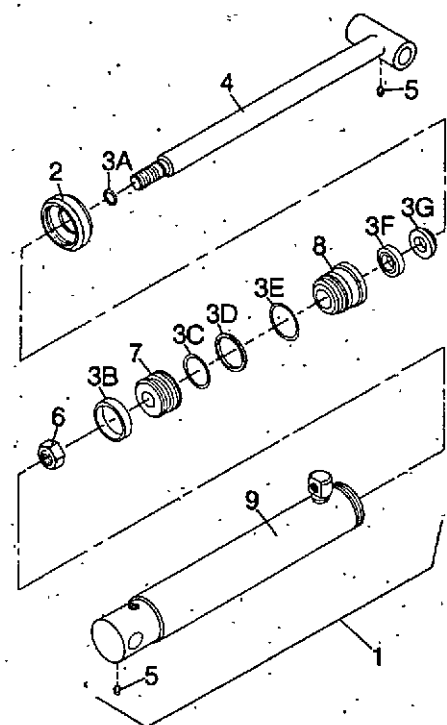
BH750WD BACKHOE

SWING CYLINDER

REF.	PART NO.	DESCRIPTION	REQ'D
1	C 31695	CYLINDER - hydraulic, swing	1
2	C 31779	ROD - tie 7/16" NF x 16"	4
3	C 31780	KIT - seal	1
3A	NSS	WIPER - rod	2
3B	NSS	SEAL - rod	2
3C	NSS	SEAL - gland, static	2
3D	NSS	O-RING	1
3E	NSS	SEAL - piston	1
3F	NSS	RING - backup	2
4	O/L	NUT - 7/16" NF hex	8
5	C 31781	GUIDE - rod	2
6	C 31782	BARREL - cylinder 2-1/2"	1
7	C 31783	ROD - cylinder 2-1/2"	1

BUCKET CYLINDER

1	C 31728	CYLINDER - hydraulic 2" x 16-3/4"	1
2	C 31784	COLLAR - locking	1
3	C 31786	KIT - seal	1
3A	NSS	SEAL - rod, static	1
3B	NSS	RING - wear	1
3C	NSS	O-RING	1
3D	NSS	SEAL - piston	1
3E	NSS	SEAL - gland, static	1
3F	NSS	SEAL - rod	1
3G	NSS	WIPER - rod	1
4	C 31787	ROD - cylinder 2"	1
5	219- 10	FITTING - grease 1/4" - 28 taper thread	2
6	C 31789	NUT - lock 7/8" NC	1
7	C 31790	PISTON - hydraulic cylinder	1
8	C 31792	GLAND - hydraulic cylinder	1
9	NSS	BARREL - cylinder (order complete cylinder)	1



STABILIZER CYLINDER

REF.	PART NO.	DESCRIPTION	REQ'D
1	C 31705	CYLINDER - hydraulic 2" x 14-1/2"	1
2	C 31784	COLLAR - retaining	1
3	C 31786	KIT - seal	1
3A	NSS	SEAL - rod, static	1
3B	NSS	RING - wear	1
3C	NSS	O-RING	1
3D	NSS	SEAL - piston	1
3E	NSS	SEAL - gland, static	1
3F	NSS	SEAL - rod	1
3G	NSS	WIPER - rod	1
4	C 31794	ROD - cylinder	1
5	219- 10	FITTING - grease 1/4 - 28 tapered thread	2
6	C 31789	NUT - lock 7/8" NC	1
7	C 31790	PISTON - hydraulic cylinder	1
8	C 31792	GUIDE - rod	1
9	NSS	BARREL - cylinder (order complete cylinder)	1

BOOM AND DIPPERSTICK CYLINDER

1	C 31721*	CYLINDER - hydraulic 2-1/2" x 16-3/4"	1
2	C 31796	ROD - hydraulic cylinder 2-1/2"	1
3	219- 10	FITTING - 1/4" - 28 tapered thread	2
4	C 31798	KIT - seal	1
4A	NSS	SEAL - rod, static	1
4B	NSS	RING - wear	1
4C	NSS	O-RING	1
4D	NSS	SEAL - piston	1
4E	NSS	SEAL - gland, static	1
4F	NSS	SEAL - rod	1
4G	NSS	WIPER - rod	1
4H	NSS	WIRE - lock (not used)	1
4J	NSS	RING - wear	1
5	C 31789	NUT - 7/8" NC lock	1
6	C 31799	PISTON - hydraulic cylinder	1
7	C 31801	GLAND - hydraulic cylinder	1
8	NSS	BARREL - cylinder (order complete cylinder)	1
9	C 31803	RETAINER - hydraulic cylinder	1

*service cylinders have 2 straight grease fittings.

DECALS

4

WARNING

BEFORE OPERATING, READ MANUAL FOR ADDITIONAL INFORMATION ON SAFETY, OPERATION, SERVICE AND MAINTENANCE.

BACKHOE DIGGING FORCES CAN LIFT AND TURN TRACTOR OVER; TO AVOID SERIOUS INJURY OR DEATH: OPERATE BACKHOE ONLY FROM SEAT AND WITH ALL SAFETY SHIELDING IN PLACE. MAKE SURE STABILIZER PADS ARE ON FIRM GROUND; AVOID SOFT OR STEEP BANKS.

NEVER ALLOW RIDERS OR OPERATE BACKHOE WITH BYSTANDERS IN THE MAXIMUM SWING AREA.

A MINIMUM 25% OF TRACTOR AND EQUIPMENT WEIGHT MUST BE ON TRACTOR FRONT WHEELS WITH BACKHOE IN TRANSPORT POSITION.

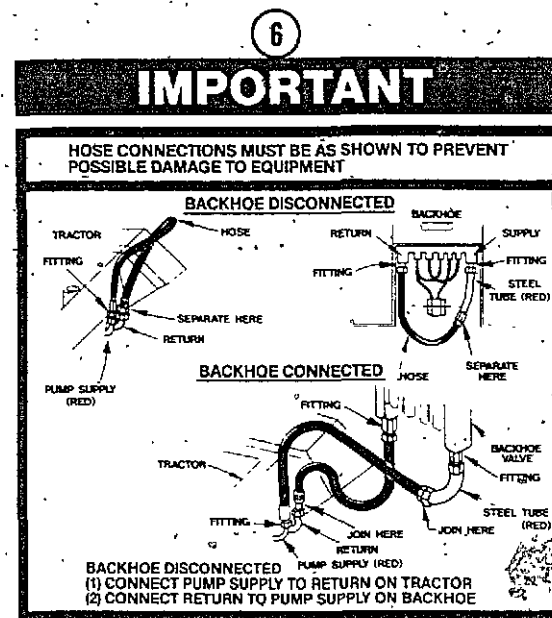
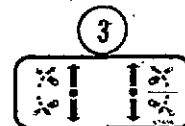
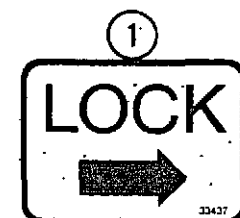
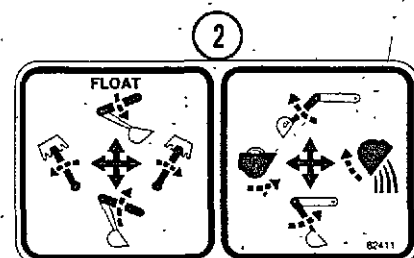
BEFORE TRANSPORTING, ATTACH SLOW MOVING VEHICLE (SMV) SIGN AND ENGAGE TRANSPORT LOCKS. BEFORE LEAVING UNATTENDED, RAISE BOOM AND INSTALL TRANSPORT LOCK, LOWER DIPPERSTICK, SHUT ENGINE OFF AND REMOVE KEY.

IF HIGH-PRESSURE OIL PENETRATES SKIN, IT MUST BE SURGICALLY REMOVED WITHIN A FEW HOURS BY A DOCTOR FAMILIAR WITH THIS FORM OF INJURY OR GANGRENE MAY RESULT.

KNOW LOCATION OF AND AVOID CONTACTING ALL UNDERGROUND CABLES, PIPELINES, OVERHEAD WIRES AND OTHER HAZARDS IN DIGGING AREA.

65840

	C	31818	DECAL SET	1
1	NSS		DECAL - transport lock	1
2	NSS		DECAL - backhoe controls	1
3	NSS		DECAL - stabilizer controls	1
4	NSS		DECAL - operation	1
5	C	29694	DECAL - "Ingersoll"	2
6	C	32167	DECAL - hose routing	1
7	C	32373	DECAL - "Important" operation	1



7

IMPORTANT

DO NOT OPERATE BACKHOE CIRCUITS CONCURRENT WITH THE LOADER BUCKET CIRCUITS. FAILURE TO OBSERVE THIS PROCEDURE COULD RESULT IN DAMAGE TO THE BACKHOE HYDRAULIC SYSTEM AND/OR HYDRAULIC PUMP.

C32230

5

INGERSOLL

NUMERICAL INDEX

PART NO.	PAGE NO.	REF. NO.	PART NO.	PAGE NO.	REF. NO.	PART NO.	PAGE NO.	REF. NO.
C29694	17	5	C31747	9	F	113- 102	5	52
C31690	5	6	C31747	9	H	113- 241	5	62
C31691	5	1	C31748	9	J	129- 107	5	67
C31692	5	3	C31749	9	K	129- 123	9	35
C31692	11	1	C31750	11	2	129- 163	9	37
C31693	5	5	G31751	11	3	131- 911	5	49
C31694	5	9	C31752	11	4	131- 911	7	30
C31695	5	19	C31753	11	5	131- 934	7	27
G31695	13	1	C31754	11	6	131- 934	7	13
C31696	5	18	C31755	11	7	131- 938	5	57
C31697	5	11	C31756	11	8	131-1181	5	58
C31698	5	7	C31757	11	9	131-1331	5	68
C31699	5	17	C31758	11	10	132- 6	5	40
C31700	5	16	C31759	11	11	132- 6	7	10
C31701	5	15	C31760	11	12	132- 329	7	25
C31702	5	14	C31761	11	13	132- 330	5	41
C31703	5	13	C31762	11	14	138-2054	7	32
C31704	5	21	C31763	11	15	192- 19	9	33
C31704	7	4	C31764	11	16	192- 20	5	51
C31705	5	24	C31765	11	17	192- 21	9	36
C31705	15	1	C31766	11	18	192- 27	5	69
C31706	5	20	C31767	11	19	195- 102	5	50
C31706	7	5	C31768	11	20	195-2115	7	33
C31707	5	28	C31769	9	1	218-5005	9	5
C31708	5	27	C31770	9	2	219- 10	5	44
C31709	5	26	C31771	9	3	219- 10	7	26
C31710	5	23	C31772	9	4	219- 10	7	11
C31711	5	22	C31773	9	7	219- 10	13	5
C31712	5	12	C31774	9	8	219- 10	15	5
C31712	7	6	C31775	9	9	219- 10	15	3
C31713	5	10	C31776	9	10	219- 57	5	45
C31714	5	2	C31777	9	11	219- 57	7	12
C31715	5	4	C31778	9	12			
C31716	5	25	C31779	13	2			
C31717	5	48	C31780	13	3			
C31717	7	12	C31781	13	5			
C31717	7	15	C31782	13	6			
C31718	5	54	C31783	13	7			
C31719	5	72	C31784	13	2			
C31720	5	73	C31784	15	2			
C31721	7	1	C31786	13	3			
C31721	15	1	C31786	15	3			
C31723	7	3	C31787	13	4			
C31724	7	17	C31789	13	6			
C31725	7	1	C31789	15	6			
C31726	7	2	C31789	15	5			
C31727	7	3	C31790	13	7			
C31728	7	4	C31790	15	7			
C31728	13	I	C31792	13	8			
C31730	7	7	C31792	15	8			
C31731	7	8	C31794	15	4			
C31735	7	10	C31796	15	2			
C31736	7	11	C31798	15	4			
C31738	7	13	C31799	15	6			
C31739	7	14	C31801	15	7			
C31740	9	1	C31803	15	9			
C31741	9	2	C31806	5	8			
C31742	9	3	C31812	7	2			
C31743	9	4	C31813	5	64			
C31744	9	5	C31814	9	31			
C31745	9	A	C31818	17				
C31745	9	B	C32167	17	6			
C31745	9	L	G32373	17	7			
C31745	9	M	111- 202	5	53			
C31746	9	C	111- 340	5	60			
C31746	9	D	113- 1	7	28			
C31746	9	E	113- 3	5	46			
C31746	9	G	113- 17	7	14			

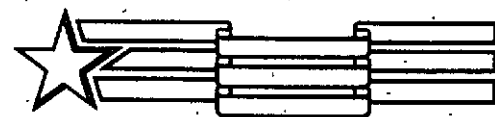
INGERSOLL
 Ingersoll Equipment Co., Inc.



**BACKHOE
MODEL 80A
Operator's Manual 8-57790**

TABLE OF CONTENTS

	Page	Grid
Control Valve	22-28	F7-F13
Backhoe - Valve Mount, Controls and Seat	29	F14
Torque Chart	31	G2
Backhoe - Swing Frame	32	G3
Backhoe - Mainframe and Stabilizers	33	G4
Hose Diagrams	34, 35	G5-G6
Hydraulic Cylinders	36, 37	G7-G8



QUALITY IN THE AMERICAN TRADITION

Ingersoll Equipment Co., Inc.

Winneconne, Wisconsin 54986-9576

CONTROL VALVE SECTION
TYPICAL SECTION FOR LIFT CIRCUIT

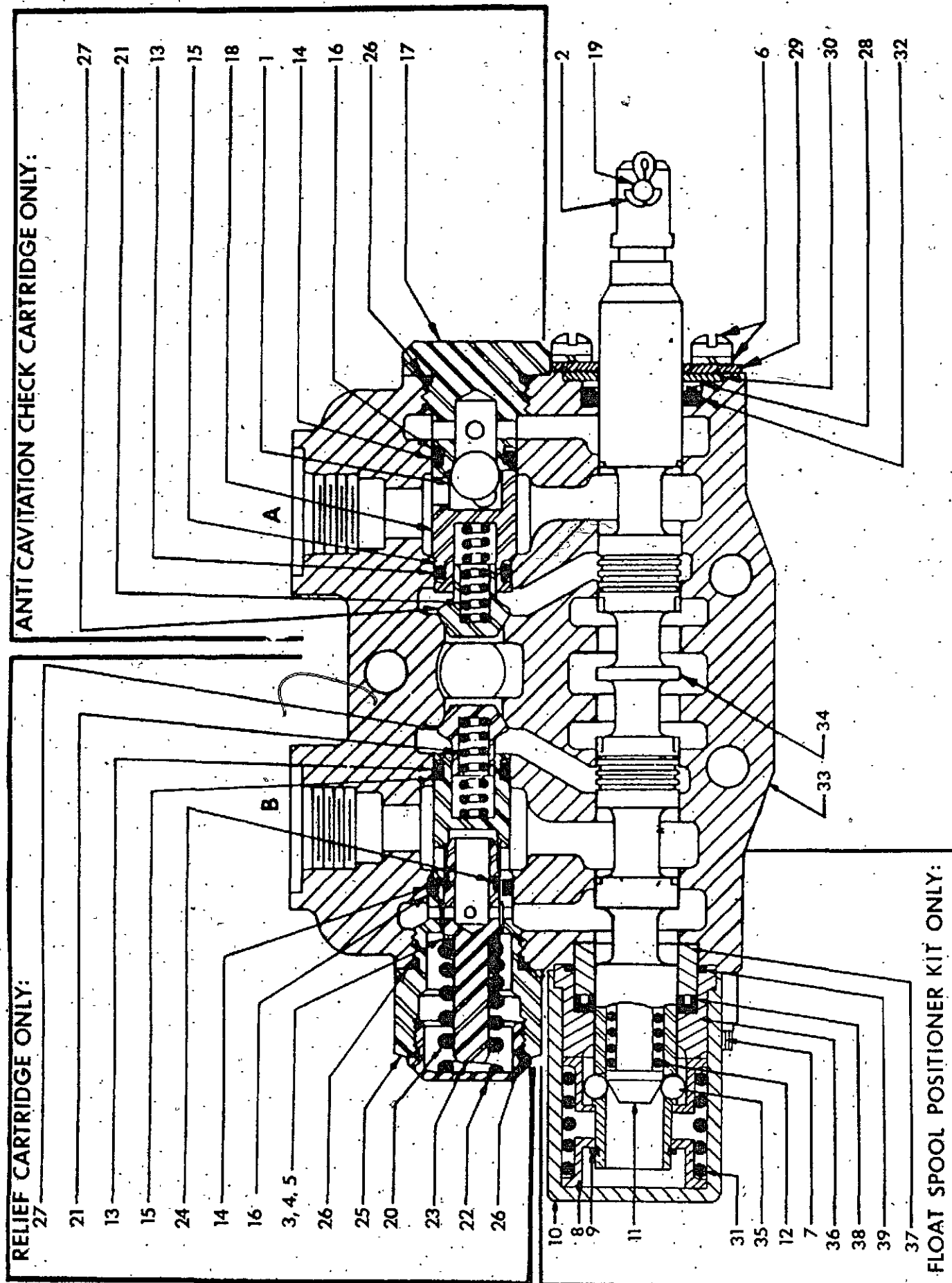


FIG 10

Index	Part No.	Description	Qty. Per Section
1	*	7/16" Steel Ball.....	1
2	132-320	Handle Pin Cotter, 3/32 x 3/4.....	1
3, 4, 5	*	Shim, (.010", .020", .040" thick).....	as required
6	*	Machine Screw and Lockwasher.....	2
7	***	Bonnet Screw.....	2
8	***	Stop Collar.....	2
9	***	Retaining Ring.....	1
10	***	Bonnet.....	1
11	***	Detent Ball Follower.....	1
12	***	Detent spring.....	1
13	**	O-Ring Seal (Inner).....	2
14	**	O-Ring Seal (Outer).....	2
15	**	Back-Up Washer (Inner).....	4
16	**	Back-Up Washer (Outer).....	2
17	*	Anti-Cavitation Check Body.....	1
18	*	Check Ball Retainer.....	1
19	C42678	Handle Clevis Pin, 1/4 dia. x 7/8.....	1
20	*	Spring (2201 - 3000 PSI Crack).....	1
21	*	Check Spring.....	2
22	*	Relief Cap.....	1
23	**	Relief Poppet.....	1
24	**	Piston Ring.....	1
25	*	Relief Body.....	1
26	**	O-Ring Seal.....	3
27	*	Steel Check.....	2
28	**	Back-Up Washer.....	2
29	C42665	Seal Plate Retainer.....	1
30	C42666	Seal Retainer.....	2
31	***	Centering Spring.....	1
32	**	Spool O-Ring Seal.....	2
33	*	Center Section Housing.....	1
34	*	Four-Way Spool.....	1
35	***	Detent Ball.....	4
36	***	Float Sleeve.....	1
37	***	Retaining Sleeve.....	1
38	**	U-Cup Seal.....	1
39	**	O-Ring Seal.....	1
	C42670	Control Valve Section - Lift Circuit, consisting of above listed parts. NOTE - one orifice plate C42657 must be added to "A" port to complete lift section. Also, one heavy duty seal plate retainer kit C42885 (not shown) must be added and bolted over seal plate retainer (29) to complete lift section.....	1
	C42667	Control Valve Section Seal Kit - Lift Circuit, consisting of: 32 (Qty 1), 13 (Qty 2), 14 (Qty 2), 28 (Qty 1), 38 (Qty 1), 39 (Qty 1), 15 (Qty 4), 16 (Qty 2), 26 (Qty 2); pressure section seal (Qty 2), and exhaust section seal (Qty 2).....	1
	C42668	Spool Seal Kit; consisting of: 32 (Qty 1), 28 (Qty 1), 38 (Qty 1); and 39 (Qty 1).....	1
	C42658	Relief Cartridge (2500 PSI), as shown.....	1
	C42662	Relief Cartridge Seal Kit; consisting of: 13 (Qty 1), 14 (Qty 1), 15 (Qty 2), 16 (Qty 1), 26 (Qty 2)....	1
	C42656	Poppet Seal Kit, consisting of: 23 (Qty 1) and 24 (Qty 1)....	1
	C42659	Anti-Cavitation Check Cartridge, as shown.....	1
	C42662	Anti-Cavitation Check Seal Kit, same as Relief Cartridge Seal Kit listed above.....	1
	C42669	Float Spool Positioner Kit, as shown.....	1

* Not available as a separate repair part, order complete section or cartridge.
 ** Not available as a separate repair part, order seal kit.
 *** Not available as a separate repair part, order spool positioner kit.

CONTROL VALVE SECTION
TYPICAL SECTION FOR CROWD CIRCUIT

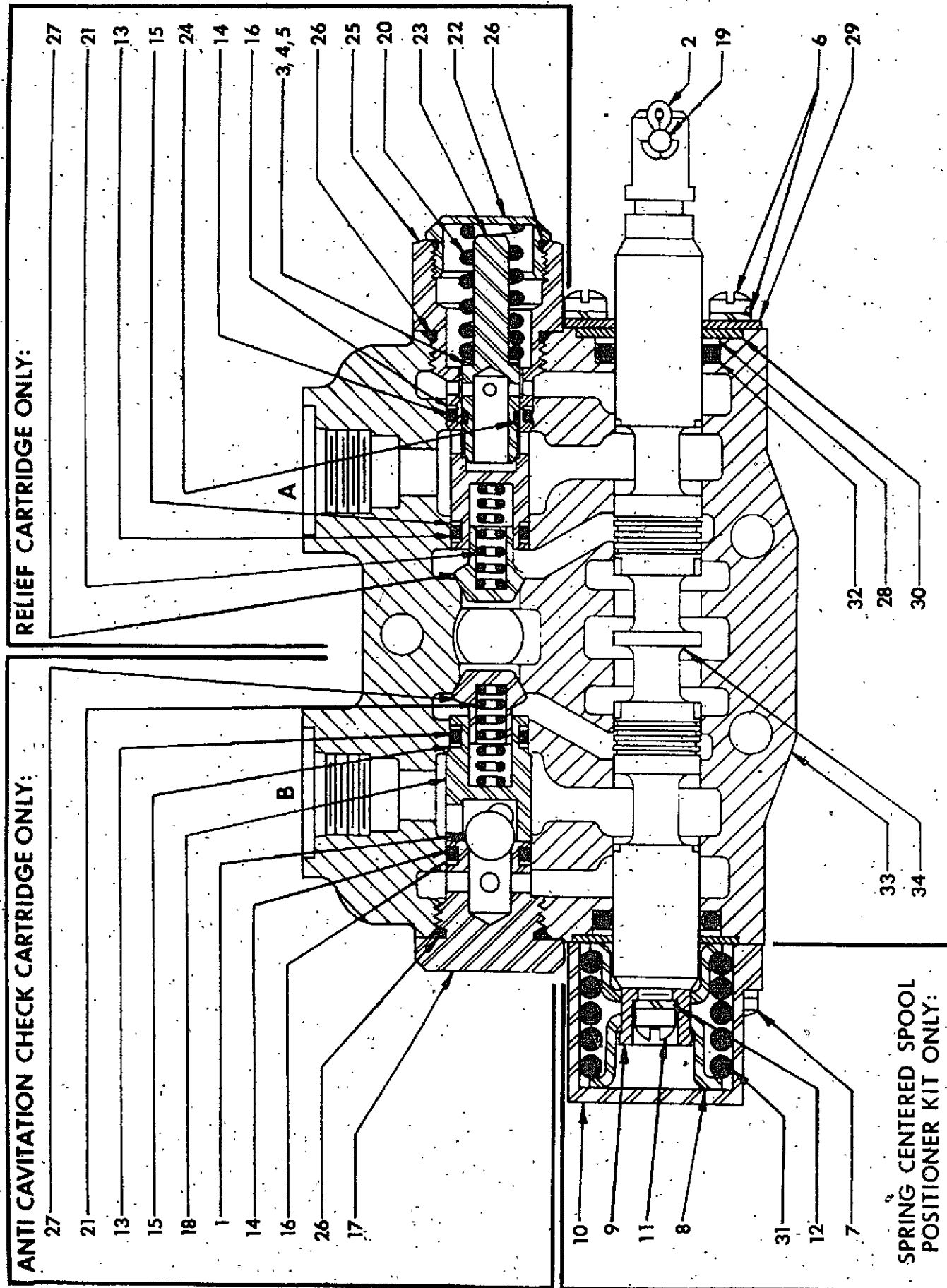


FIG 11

PARTS LIST - FIG 11

Index No.	Part No.	Description	Quantity Per Section
1	*	7/16" Steel Ball.....	1
2	132-320	Handle Pin Cotter, 3/32 x 3/4.....	1
3	*	Shim, .040" Thick)	
4	*	Shim, .020" Thick).....	as required
5	*	Shim, .010" Thick)	
6	*	Machine Screw and Lockwasher.....	2
7	***	Bonnet Screw.....	2
8	***	Stop Collar.....	2
9	***	Spool Collar.....	1
10	***	Bonnet.....	1
11	***	Spool Assembly Screw.....	1
12	***	Spool Assembly Screw Lockwasher.....	1
13	**	O-Ring Seal (Inner).....	2
14	**	O-Ring Seal (Outer).....	2
15	**	Back-Up Washer (Inner).....	4
16	**	Back-Up Washer (Outer).....	2
17	*	Anti-Cavitation Check Body.....	1
18	*	Check Ball Retainer.....	1
19	C42678	Handle Clevis Pin, 1/4 Dia x 7/8.....	1
20	*	Spring (2201 - 3000 PSI Crack).....	1
21	*	Check Spring.....	2
22	*	Relief Cap.....	1
23	**	Relief Poppet.....	1
24	**	Piston Ring.....	1
25	*	Relief Body.....	1
26	**	O-Ring Seal.....	3
27	*	Steel Check.....	2
28	**	Back-Up Washer.....	2
29	C42665	Seal Plate Retainer.....	1
30	C42666	Seal Retainer.....	2
31	***	Centering Spring.....	1
32	**	Spool O-Ring Seal.....	2
33	*	Center Section Housing.....	1
34	*	Four-Way Spool.....	1
	C42650	Control Valve Section - Crowd Circuit, consisting of above listed parts. NOTE - one heavy duty seal plate retainer kit C42885 (not shown) must be added and bolted over seal plate retainer (29) to complete crowd section.....	1
	C42663	Control Valve Section Seal Kit - Crowd Circuit, consisting of: 32(quan-2), 13(quan-2), 14(quan-2), 15(quan-4), 16(quan-2), 26(quan-2), pressure section seal(quan-2), and exhaust section seal(quan-2).....	1
	C42664	Spool Seal Kit; consisting of: 32(quan-2) and 28(quan-2).....	1
	C42658	Relief Cartridge (2500 PSI), as shown.....	1
	C42662	Relief Cartridge Seal Kit; consisting of: 13(quan-1), 14(quan-1), 15(quan-2), 16(quan-1), and 26(quan-2).....	1
	C42656	Poppet Seal Kit, consisting of: 23(quan-1) and 24(quan-1).....	1
	C42659	Anti-Cavitation Check Cartridge, as shown.....	1
	C42662	Anti-Cavitation Check Seal Kit, same as Relief Cartridge Seal Kit listed above.....	1
	C42648	Spring Centered Spool Positioner Kit, as shown.....	1

* Not available as a separate repair part, order complete section or cartridge.
 ** Not available as a separate repair part, order seal kit.
 *** Not available as a separate repair part, order spool positioner kit.

PARTS LIST - FIG 12

Index No.	Part No.	Description	Quantity Per Section
1	132-320	Handle Pin Cotter, 3/32 x 3/4.....	1
2	*	Machine Screw and Lockwasher.....	2
3	***	Bonnet Screw.....	2
4	***	Stop Collar.....	2
5	***	Spool Collar.....	1
6	***	Bonnet.....	1
7	***	Spool Assembly Screw.....	1
8	***	Spool Assembly Screw Lockwasher.....	1
9	**	Check Plug O-Ring Seal (Inner).....	2
10	**	Check Plug O-Ring Seal (Outer).....	2
11	**	Back-Up Washer (Inner).....	4
12	**	Back-Up Washer (Outer).....	2
13	C42678	Handle Clevis Pin, 1/4 Dia x 7/8.....	1
14	*	Lift Check Spring.....	2
15	**	Lift Check Plug O-Ring Seal.....	2
16	*	Lift Check Poppet.....	2
17	**	Back-Up Washer.....	2
18	*	Lift Check Plug.....	2
19	C42665	Seal Plate Retainer.....	1
20	C42666	Seal Retainer.....	2
21	***	Centering Spring.....	1
22	**	Spool O-Ring Seal.....	2
23	*	Center Section Housing.....	1
24	*	Four-Way Spool.....	1

C42651 Control Valve Section - Actuate (Bucket), Swing, and Stabilizer Circuits, consisting of above listed parts..... 1

NOTE - Two Orifice Plates C42657 must be added to complete Swing Section. Also, one heavy duty seal plate retainer kit C42885 (not shown) must be added and bolted over seal plate retainer (19) to complete bucket or swing sections (not required on stabilizer section).

C42663 Control Valve Section Seal Kit - Actuate (Bucket), Swing, and Stabilizer Circuits, consisting of: 22 (quan-2), 9 (quan-2), 10 (quan-2), 11 (quan-4), 12 (quan-2), 15 (quan-2), pressure section seal (quan-2), and exhaust section seal (quan-2)..... 1

C42664 Spool Seal Kit; consisting of: 22 (quan-2) and 17 (quan-2)..... 1

C42660 Check Cartridge, as shown..... 2

C42662 Check Cartridge Seal Kit; consisting of: 9 (quan-1), 10 (quan-1), 11 (quan-2), 12 (quan-1), and 15 (quan-2)..... 2

C42648 Spring Centered Spool Positioner Kit, as shown..... 1

* Not available as a separate repair part, order complete section or cartridge.
 ** Not available as a separate repair part, order seal kit.
 *** Not available as a separate repair part, order spool positioner kit.

TYPICAL SECTION FOR ACTUATE (BUCKET), SWING, AND STABILIZER CIRCUITS

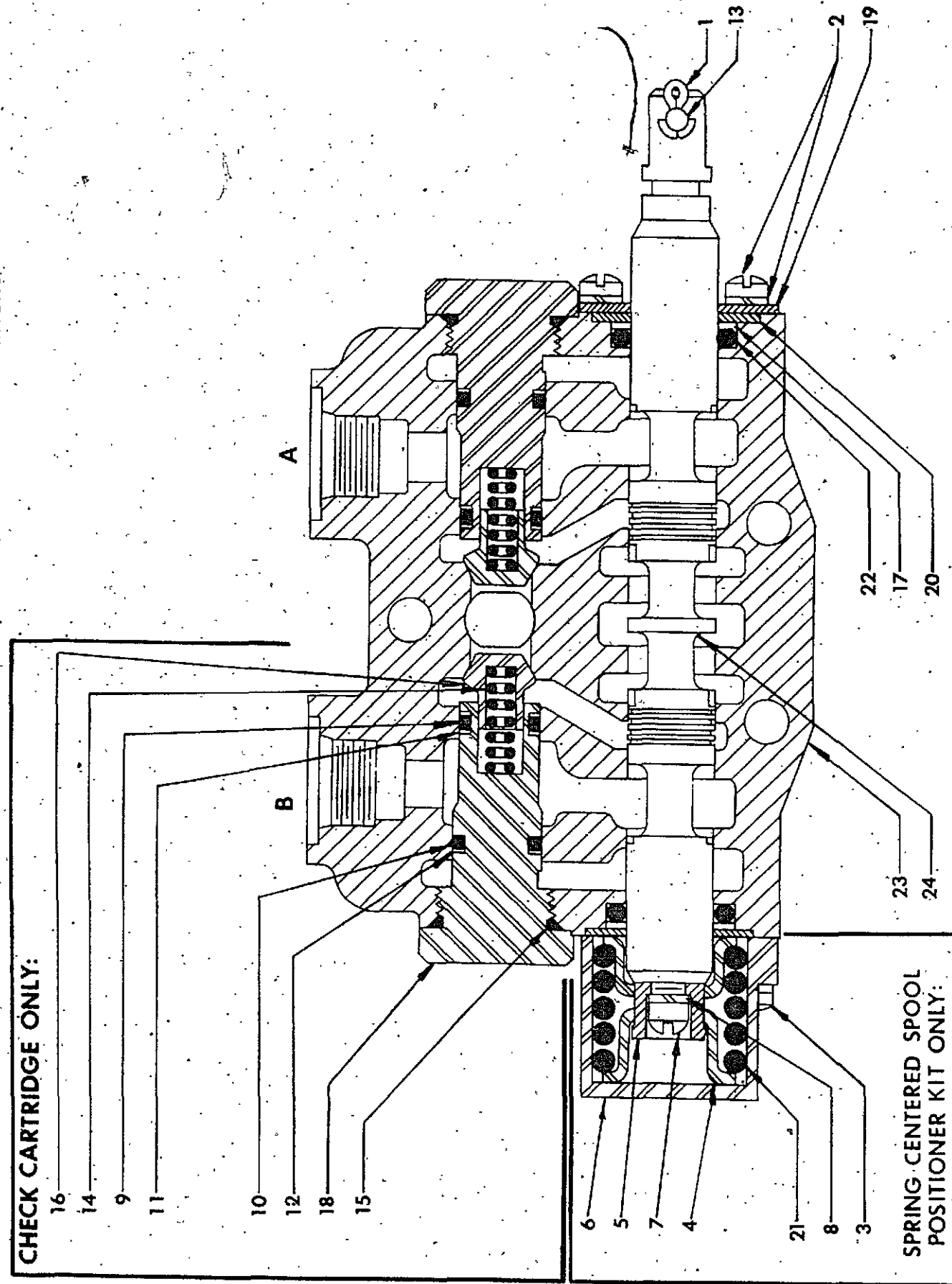


FIG 12

MAIN SYSTEM RELIEF VALVE (1950 PSI)

LOCATION: LEFT HAND VALVE COVER

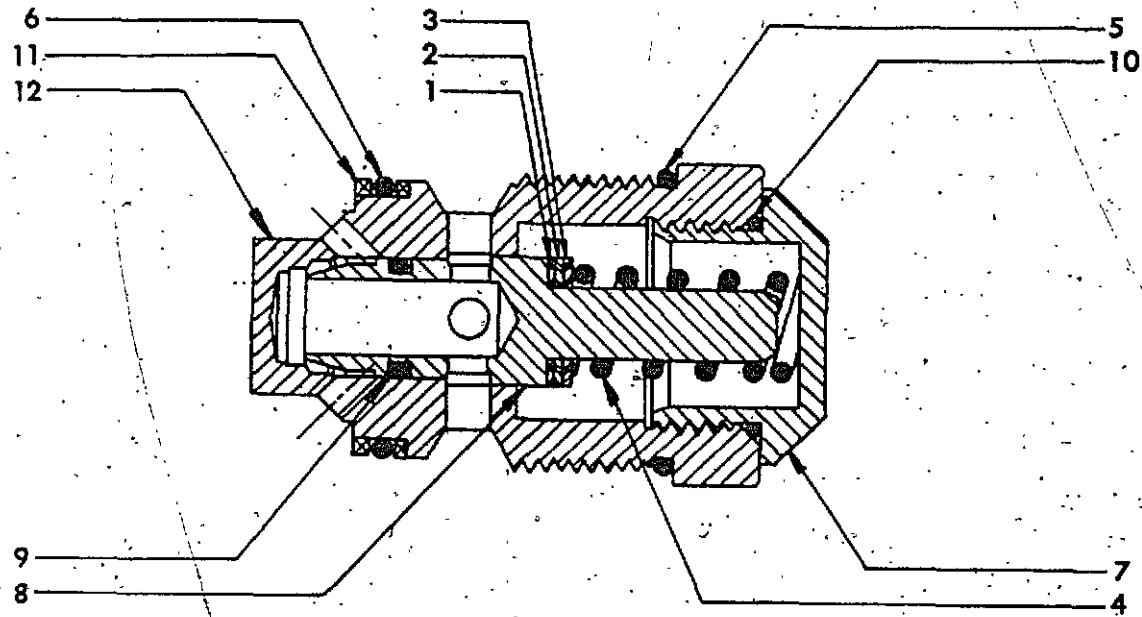


FIG 13

MAIN SYSTEM RELIEF VALVE

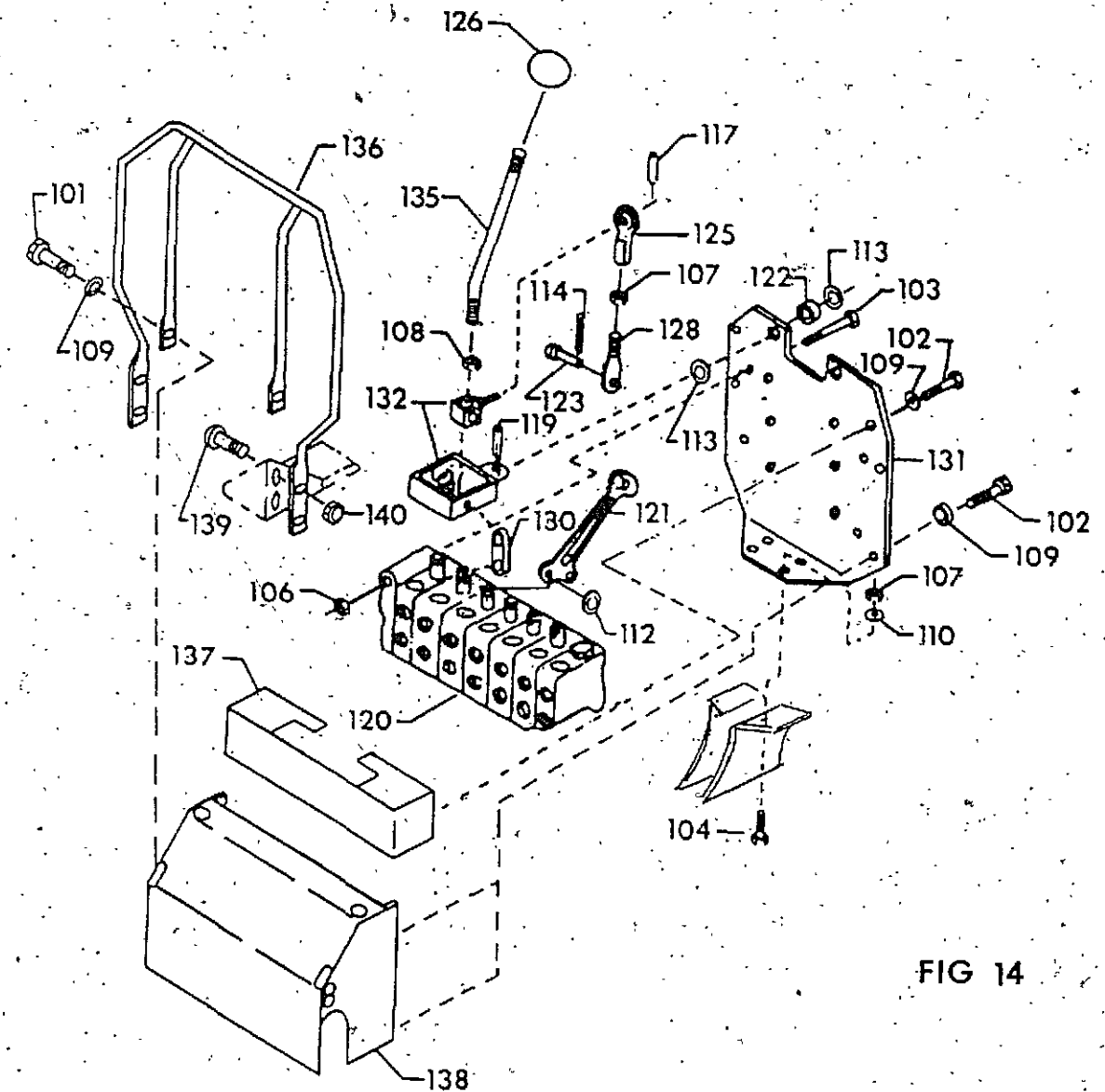
PARTS LIST - FIG 13

Index No.	Part No.	Description	Required
1	*	Shim, .040" Thick)	
2	*	Shim, .020" Thick).....	as required
3	*	Shim, .010" Thick)	
4	*	Spring (1751 - 2200 PSI Crack).....	1
5	**	O-Ring Seal.....	1
6	**	O-Ring Seal.....	1
7	*	Relief Cap.....	1
8	**	Relief Poppet.....	1
9	**	Piston Ring.....	1
10	**	O-Ring Seal.....	1
11	**	Back-Up Washer.....	2
12	*	Body.....	1
	C42694	Main System Relief Valve, consisting of above listed parts.....	1
	C42654	Seal and Service Kit; consisting of: 5 (quan-1), 6 (quan-1), 8 (quan-1), 9 (quan-1), 10 (quan-1), and 11 (quan-2).....	1

* Not available as a separate repair part, order complete Main System Relief Valve.
 ** Not available as a separate repair part, order Seal and Service Kit.

ADDITIONAL REPAIR PARTS (NOT SHOWN)

Part No.	Description	Required
C42695	Left Hand End Cover with Main Relief Valve.....	1
C42652	Tie Rod Kit (Six-Spool) contains three Studs and three Stud Nuts.....	1
C42655	Valve Seal Kit, containing all O-Rings and Back-Up Rings for a Six-Spool Valve.....	1
C42693	Six-Spool Valve.....	1
C42661	Right Hand End Cover.....	1
C42696	Section Seal Kit, contains all o-rings between sections.....	1



PARTS LIST - FIG 14

Index	Description	Part No.	Index	Description	Part No.
101	Bolt, 5/16 NF x 3/4.....	114-102	121	Stabilizer Handle, Complete.	C42649
102	Bolt, 5/16 NF x 1".....	114-104	122	Bronze Bushing, 1-1/4 OD x 1" ID x 1".....	C42673
103	Bolt, 5/16 NC x 2-3/4.....	113-119	123	Clevis Pin, 1/4 Dia x 7/8....	C42678
104	Bolt, 3/8 NF x 1-1/4 Gr 8...	114-201	125	Ball Joint, 3/8 NF Female..	C42683
106	Locknut, 5/16 NC.....	131-176	126	Handle Grip.....	C42684
107	Nut, 3/8 NF Gr 5.....	129-123	128	Handle Link.....	C42707
108	Jam Nut, 1/2 NC.....	C42639	130	Link.....	C42722
109	Lockwasher, 5/16.....	192-20	131	Valve Plate with Bushings ...	C42723
110	Lockwasher, 3/8.....	192-21	132	Linkage Pivot Weldment.....	C42724
112	Flat Washer, 3/16.....	195-513	135	Control Handle.....	C42728
113	Machine Bushing, 1-1/2 OD x 1" ID x 18 Ga.....	C42643	136	Handle Loop.....	C42726
114	Cotter Pin, 3/32 x 3/4.....	132-320	137	Control Shroud.....	C42725
117	Roll Pin, 5/32 x 3/4.....	138-73	138	Valve Shroud.....	C42727
119	Roll Pin, 3/8 x 1-3/4.....	138-176	139	Carriage Bolt, 3/8 NC x 1"...	111-371
120	Control Valve, Complete....	C42693	140	Locknut, 3/8.....	131-1216

FIG 14

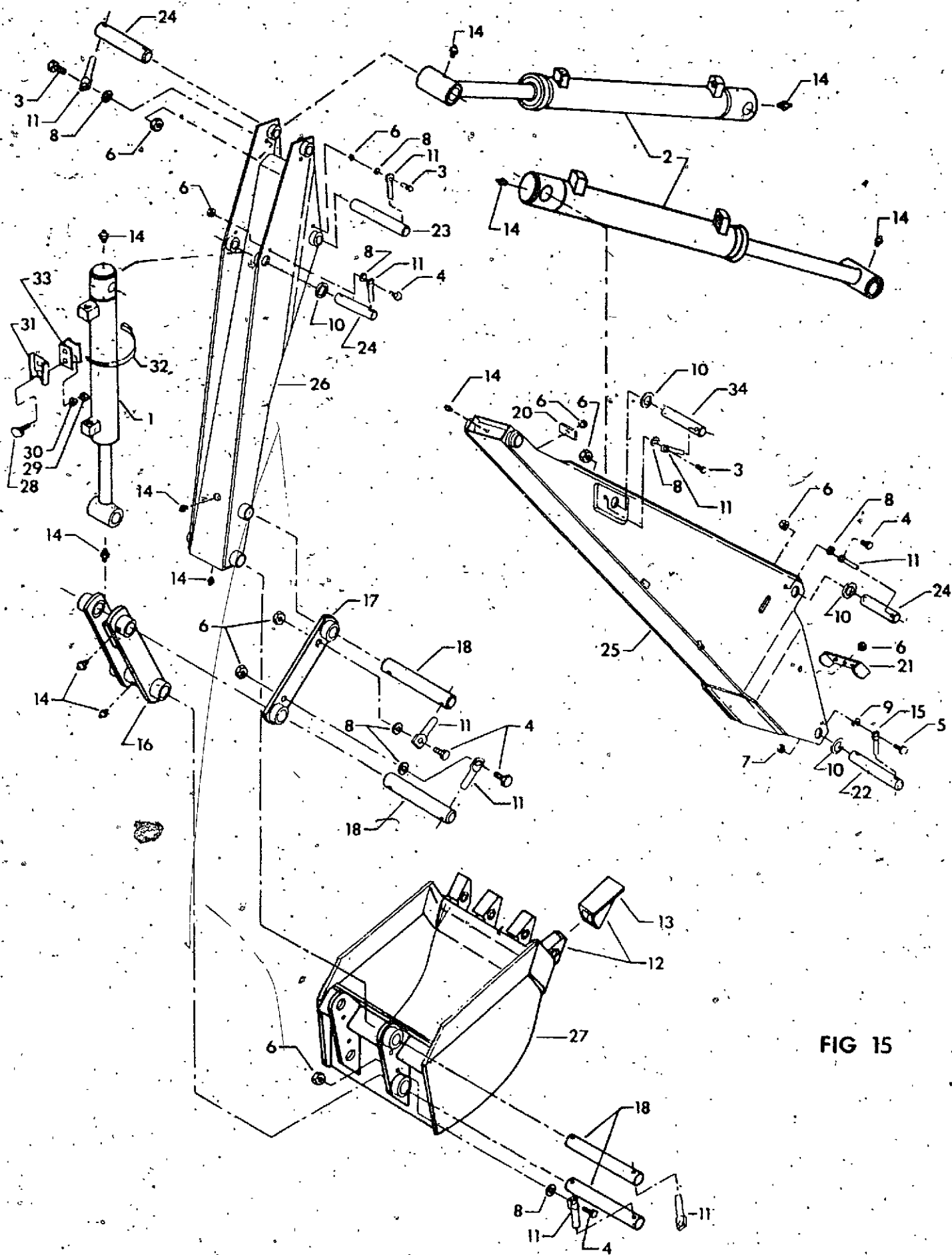


FIG 15

PARTS LIST - FIG 15

Index	Description	Part No.	Index	Description	Part No.
1	Hydraulic Cylinder-Bucket..	C42635	20	Hose Retainer.....	C42710
2	Hydraulic Cylinder- Boom/Dipperstick.....	C42636	21	Hose Strap.....	C42712
3	Bolt, 5/16 NF x 3/4.....	114-102	22	Pin, 1" Dia. x 8-3/16.....	C42714
4	Bolt, 5/16 NF x 7/8.....	114-101	23	Pin, 1" Dia. x 6-7/8.....	C42715
5	Bolt, 3/8 NF x 1".....	114-200	24	Pin, 1" Dia. x 5-5/8.....	C42716
6	Locknut, 5/16 NF.....	131-1169	25	Boom Weldment.....	C42730
7	Locknut, 3/8 NF.....	131-1133	26	Dipperstick Weldment.....	C42731
8	Flat Washer, 5/16 SAE.....	195-521	27	Bucket Complete - 9 inch..	C42583
9	Flat Washer, 3/8 SAE.....	195-525	27	Bucket Complete - 13 inch..	C42584
10	Machine Bushing, 1-1/2 OD x 1" ID x 18 GA.....	C42643	27	Bucket Complete - 16 inch..	C42585
11	Retainer, 5/16.....	C42720	27	Bucket Complete - 19 inch..	C42586
12	Bucket Tooth and Shank.....	C42681	27	Bucket Complete - 24 inch..	C42587
13	Bucket Tooth Only.....	C28530	27	Bucket Complete - 36 inch..	C42588
14	Grease Fitting.....	219-10	28	Carriage Bolt, 5/16 NC x 3/4.....	111-132
15	Pin Retainer - Small.....	C42697	29	Nut, 5/16 NC.....	129-102
16	Bucket Link Weldment.....	C42699	30	Lockwasher, 5/16.....	192-20
17	Guide Link Weldment.....	C42706	31	SMV Socket.....	C31725
18	Pin, 1" Dia. x 7-3/8.....	C42702	32	Hose Clamp.....	214-260
			33	SMV Socket Mount.....	C31526
			34	Pin, 1" Dia. x 6".....	C42733

TORQUE VALUES

Common bolts and nuts. Tightening Torque ± 20%

SIZE	GRADE 2	GRADE 5	GRADE 8
1/4-20 NC	70 in lb	115 in lb	165 in lb
1/4-28 NF	85 in lb	140 in lb	200 in lb
5/16-18 NC	150 in lb	250 in lb	350 in lb
5/16-24 NF	165 in lb	270 in lb	30 ft lb
3/8-16 NC	260 in lb	35 ft lb	50 ft lb
3/8-24 NF	300 in lb	40 ft lb	60 ft lb
7/16-14 NC	35 ft lb	55 ft lb	80 ft lb
7/16-20 NF	45 ft lb	75 ft lb	105 ft lb
1/2-13 NC	50 ft lb	80 ft lb	115 ft lb
1/2-20 NF	70 ft lb	105 ft lb	165 ft lb
9/16-12 NC	75 ft lb	125 ft lb	175 ft lb
9/16-18 NF	100 ft lb	165 ft lb	230 ft lb
5/8-11 NC	110 ft lb	180 ft lb	260 ft lb
5/8-18 NF	140 ft lb	230 ft lb	330 ft lb
3/4-10 NC	150 ft lb	245 ft lb	350 ft lb
3/4-16 NF	200 ft lb	325 ft lb	470 ft lb

NOTE - See tractor instruction manual or your tractor dealer for tightening of metric bolts.

PARTS LIST - FIG 16

Index	Description	Part No.	Index	Description	Part No.
38	Hydraulic Cylinder - Swing....	C42637	48	Quick Release Pin - Long...	C42680
39	Bolt, 5/16 NF x 1".....	114-104	49	Grease Fitting.....	219-10
40	Bolt, 5/16 NF x 1-1/4.....	114-100	50	Pin Retainer - Small.....	C42697
41	Bolt, 3/8 NF x 1".....	114-200	51	Thrust Washer.....	C42703
42	Locknut, 5/16 NF.....	131-1169	52	Swing Frame Assembly (includes items 47 & 60)...	C42729
43	Lockwasher, 3/8.....	192-21	53	Swing Link Weldment.....	C42705
44	Machine Bushing, 1-1/2 OD x 1" ID x 18 GA.....	C42643	55	Hose Retainer.....	C42710
45	Cotter Pin, 1/4 x 1-1/2.....	132-349	56	Hose Bracket.....	C42711
46	Cotter Pin, 5/16 x 2-1/2.....	C42644	57	Hose Strap.....	C42712
47	Bronze Bearing, 1-1/4 OD x 1" ID x 1".....	C42673	58	Pin, 1" Diameter x 5-1/2.....	C42717
			59	Pin, 1" Diameter x 4-1/8.....	C42719
			60	Bronze Bushing, 1-3/4 OD x 1-1/2 ID x 1"....	C42674

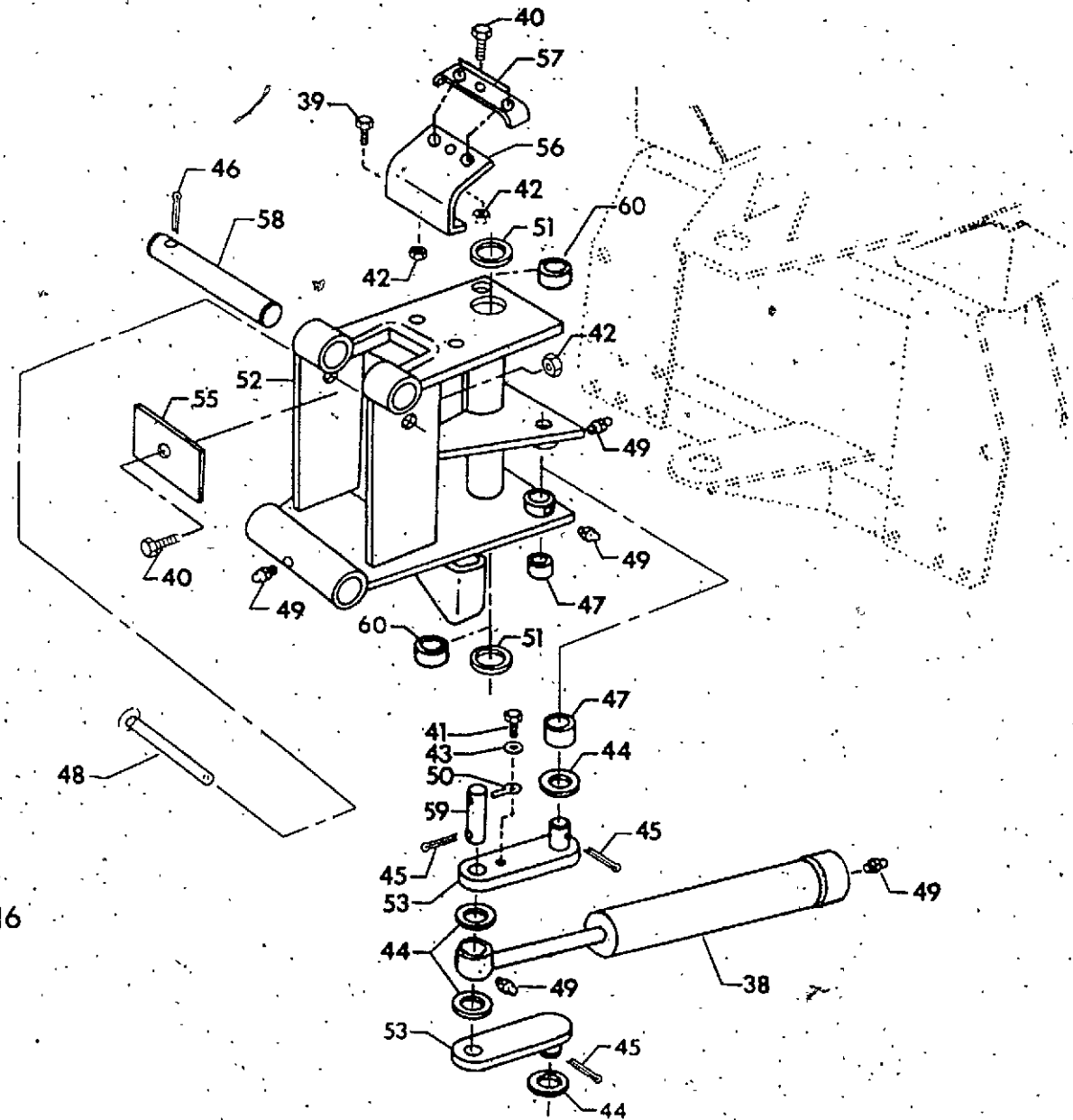


FIG 16

PARTS LIST - FIG 17

Index	Description	Part No.
77	Hydraulic Cylinder - Stabilizer.....	C42634
78	Bolt, 5/16 NF x 1-1/4.....	114-100
79	Bolt, 1/2 NF x 1".....	114-409
80	Bolt, 5/8 NC x 1-1/4 Gr 5.....	113-606
81	Nut, 5/8 NC.....	129-107
82	Lockwasher, 5/16.....	192-20
83	Lockwasher, 1/2 Shakeproof.....	192-80
84	Lockwasher, 5/8.....	192-25
85	Flat Washer, 5/16.....	195-521
86	Flat Washer, 1/2 SAE.....	195-533
87	Flat Washer, 5/8 SAE.....	195-541
88	Machine Bushing, 2-1/4 OD x 1-1/2 ID x 16 GA.....	C42642
90	Cotter Pin, 3/16 x 1-1/4.....	132-312
91	Cotter Pin, 1/4 x 1-1/2.....	132-349
93	Foot Pad - Large.....	C42675
94	Foot Pad - small.....	C42676
95	Quick Release Pin - Short..	C42679
96	Bumper.....	C42682
97	Grease Fitting.....	219-10
98	Pin Retainer - Large.....	C42698
99	Stabilizer Pad.....	C42700
100	Pin, 1" Diameter x 4-1/4.....	C42701
101	Pin, 5/8 Dia. x 4-15/16.....	C42704
102	Mainframe Weldment.....	C42734
103	Stabilizer Weldment.....	C42735
104	Stabilizer Shoe.....	C42708
105	Stabilizer Shield.....	C42709
106	Main Pivot Shaft.....	C42713
107	Pin, 5/8 Dia. x 5-5/8.....	C42721
108	Pin, 5/8 Dia. x 3-7/8.....	C42718
109	Pin, 5/8 Dia. x 5-5/8.....	C42732
110	Grease Fitting, 45°.....	219-37
111	Bolt, 5/16 NF x 7/8 Gr.5.....	114-101
112	Locknut, 5/16 NF.....	131-1169
113	Pin Retainer - Small.....	C42720

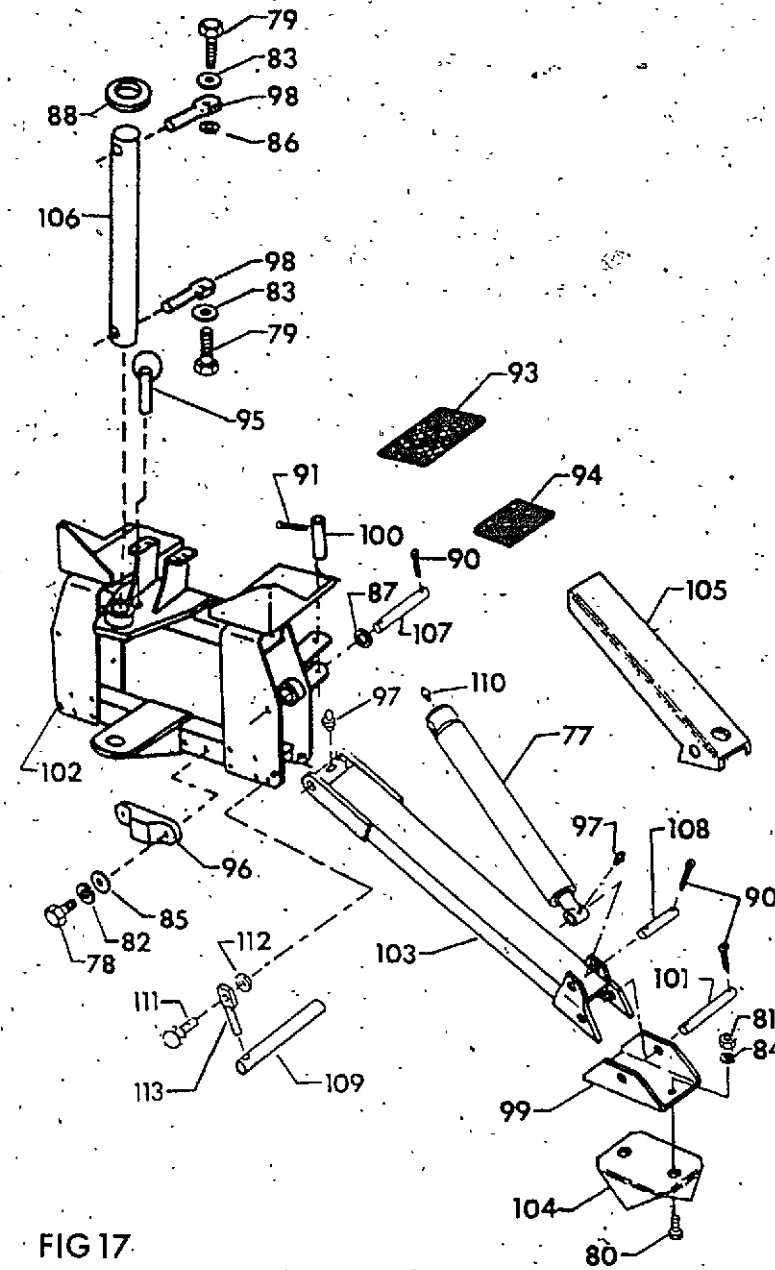
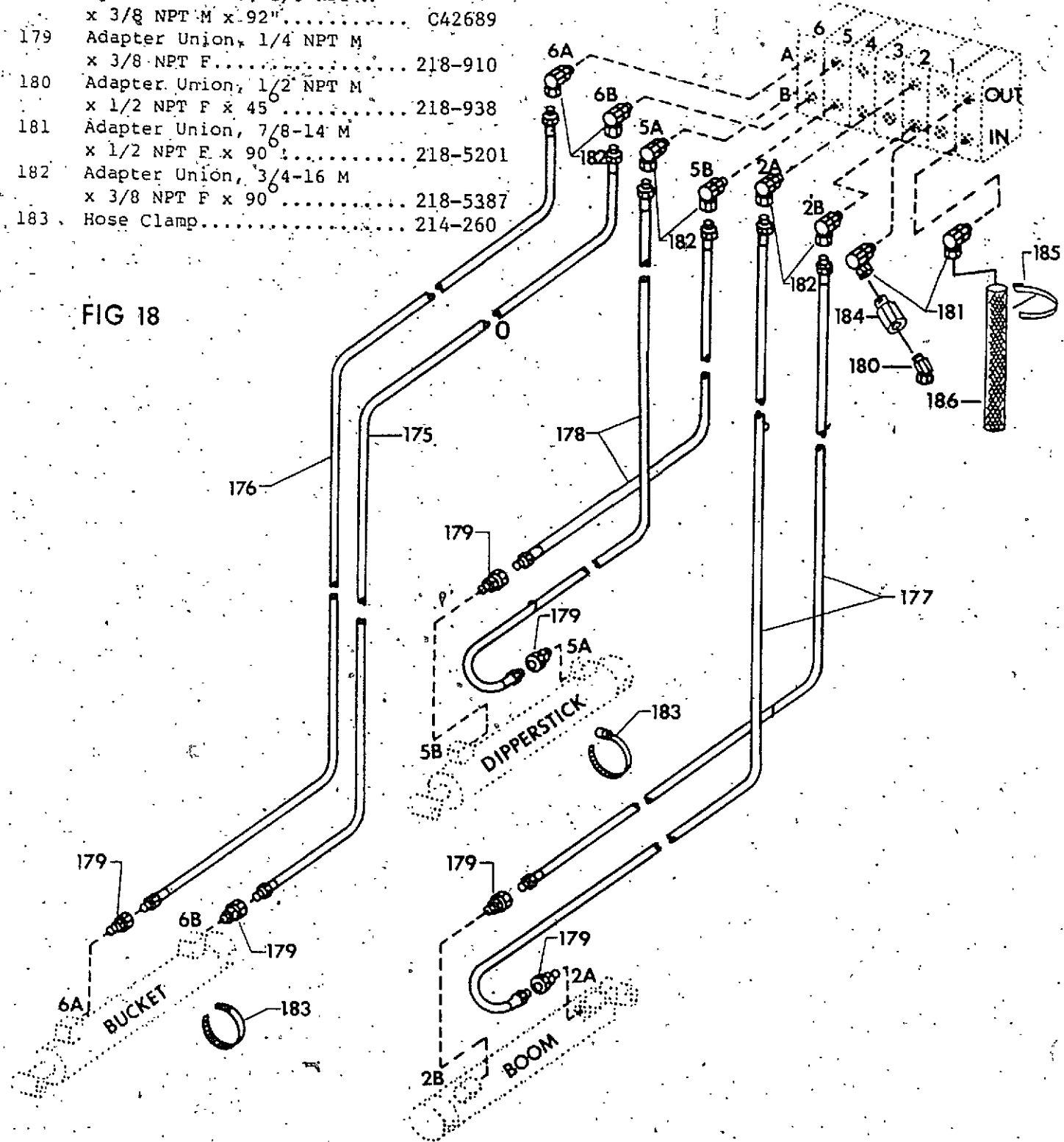


FIG 17

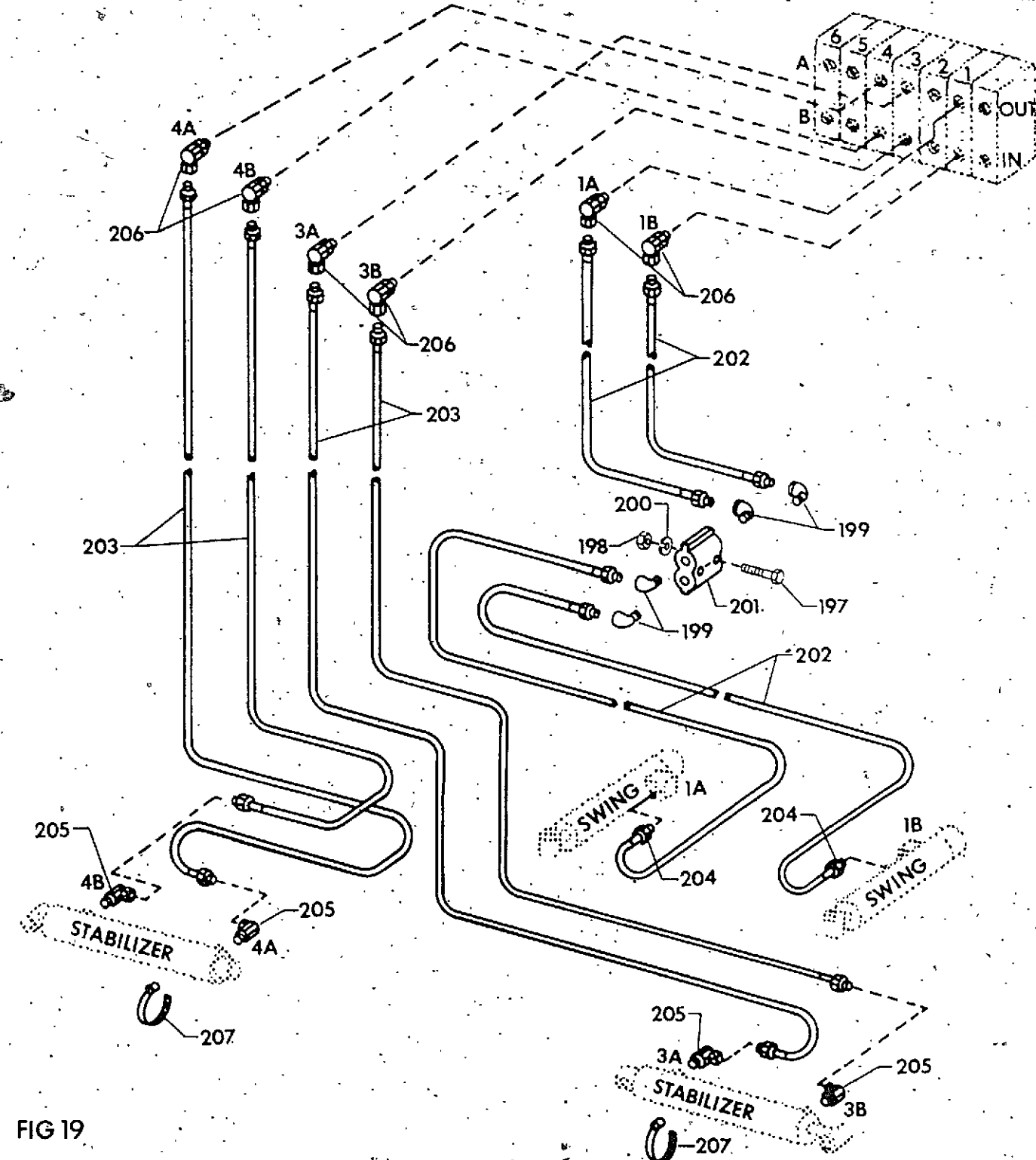
PARTS LIST - FIG 18

Index	Description	Part No.	Index	Description	Part No.
175	Hydraulic Hose, 3/8 NPT M x 3/8 NPT M x 100"	C42690	184	Check Valve	C42653
176	Hydraulic Hose, 3/8 NPT M x 3/8 NPT M x 118"	C42691	185	Plastic Tie	C22947
177	Hydraulic Hose, 3/8 NPT M x 3/8 NPT M x 65"	C42688	186	Hose Sleeve, 1-9/16 ID x 18"	C42685
178	Hydraulic Hose, 3/8 NPT M x 3/8 NPT M x 92"	C42689			
179	Adapter Union, 1/4 NPT M x 3/8 NPT F	218-910			
180	Adapter Union, 1/2 NPT M x 1/2 NPT F x 45	218-938			
181	Adapter Union, 7/8-14 M x 1/2 NPT F x 90	218-5201			
182	Adapter Union, 3/4-16 M x 3/8 NPT F x 90	218-5387			
183	Hose Clamp	214-260			

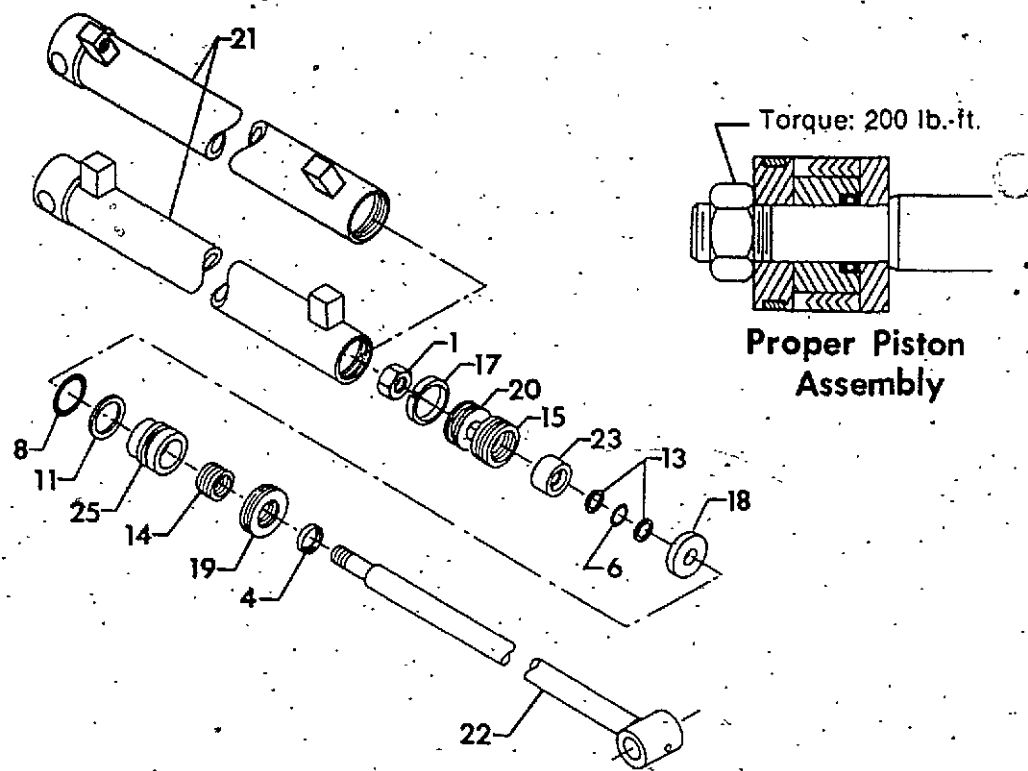


PARTS LIST - FIG 19

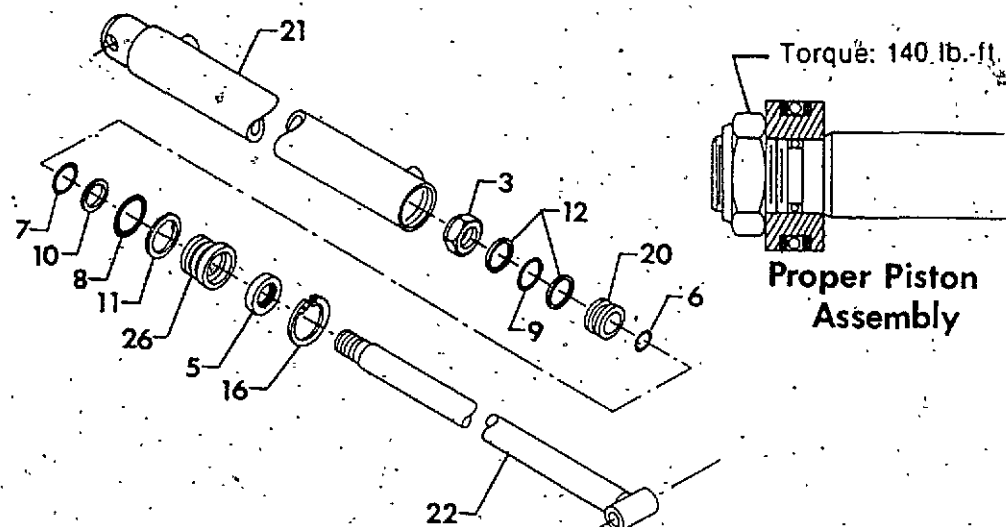
Index	Description	Part No.	Index	Description	Part No.
197	Bolt, 5/16 NC x 2-1/2	113-111	203	Hydraulic Hose, 3/8 NPT M x 3/8 NPT M x 45"	C42687
198	Nut, 5/16 NC	129-102	204	Adapter Union, 1/4 NPT M x 3/8 NPT F	218-910
199	Hydraulic Street Elbow, 3/8 NPT x 90°	217-1016	205	Adapter Union, 1/4 NPT M x 3/8 NPT F x 90	218-948
200	Lockwasher, 5/16	192-20	206	Adapter Union, 3/4-16 M x 3/8 NPT F x 90	218-5387
201	Cross-Over Relief, 1300 psi	C42671	207	Hose Clamp	214-260
202	Hydraulic Hose, 3/8 NPT M x 3/8 NPT M x 20"	C42686			



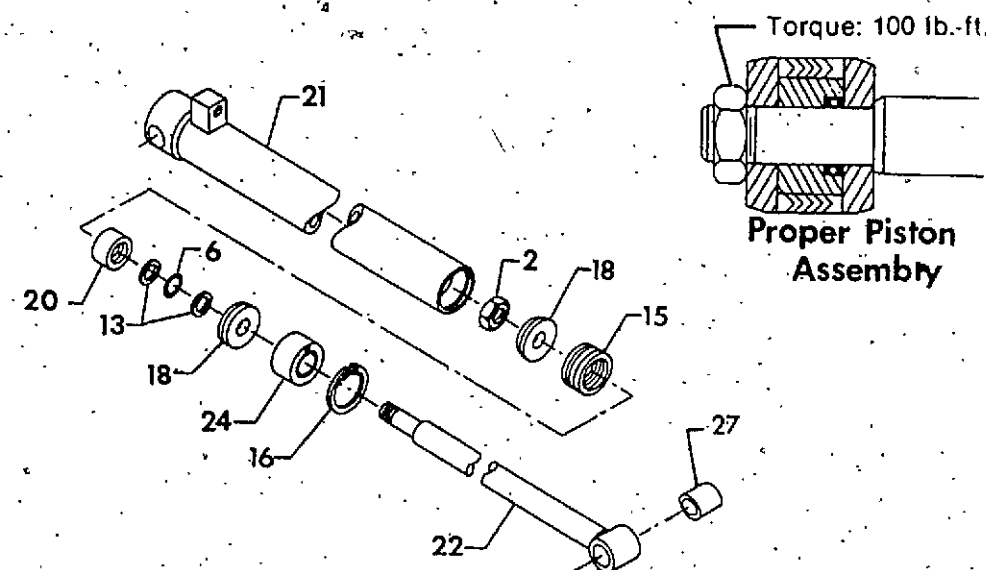
Cylinder
Lift and Crowd
Part No. C42636
Cylinder
Bucket
Part No. C42635



Cylinder
Stabilizer
Part No. C42634



Cylinder
Swing
Part No. C42637



HYDRAULIC CYLINDERS - PARTS LISTS

Index	Description	C42636	C42635	C42634	C42637
1	Lock Nut, 3/4 NF Nyloc.....	C42638	C42638		
2	Jam Nut, 3/4 NF Nyloc.....				C42640
3	Jam Nut, 1" NF Nyloc.....			C42641	
4	Oil Seal, 1-1/4 OD x 1" ID.....	*	*		
5	Oil Seal, 1-5/8 OD x 1-1/8 ID.....			*	
6	O-Ring, 1" OD x 3/4 ID.....	*	*	*	*
7	O-Ring, 1-3/8 OD x 1-1/8 ID.....			*	
8	O-Ring, 2" OD x 1-3/4 ID.....	*	*	*	
9	O-Ring, 2" OD x 1-5/8 ID.....			*	
10	Back-Up Ring, 1-3/8 OD x 1-1/8 ID.....			*	
11	Back-Up Ring, 2" OD x 1-3/4 ID.....	*	*	*	
12	Back-Up Ring, 2" OD x 1-5/8 ID.....			*	
13	Back-Up Ring, 1" OD x 3/4 ID.....	*	*		*
14	Packing Assembly, 1-3/8 OD x 1" ID.....	*	*		
15	Packing Assembly, 2" OD x 1-1/2 ID.....	*	*		*
16	Retaining Ring, Internal.....			*	C42677
17	Wear Ring, 2" OD x 1-3/4 ID x 3/8.....	*	*		
18	Piston Washer.....	C42748	C42748		C42736
19	Gland Nut.....	C42737	C42737		
20	Piston.....	C42747	C42747	C42738	C42754
21	Cylinder Tube Weldment.....	C42751	C42751	C42741	C42753
22	Piston Rod Weldment.....	C42752	C42746	C42742	C42756
23	Piston Spacer, with O-Ring and Back-Ups.....	C42743	C42743		
24	Rod Guide Assembly.....				C42744
25	Gland, with O-Ring, Back-Up, and Packing.....	C42750	C42750		
26	Gland.....			C42739	
27	Bronze Bushing, 1" ID x 1-1/4 OD x 1-1/2.....				C42672
	For Complete Cylinder, order.....	C42636	C42635	C42634	C42637
	Seal Repair Kit (includes all Packings, Wear Rings, O-Rings, Back-Up Rings, and Wipers for one cylinder).....	C42749	C42749	C42740	C42755

* Not available as a separate repair part - order seal repair kit.

IMPORTANT: Replace Cylinder Nut (1, 2, or 3) any time nut must be removed, and torque to value shown on page 36.