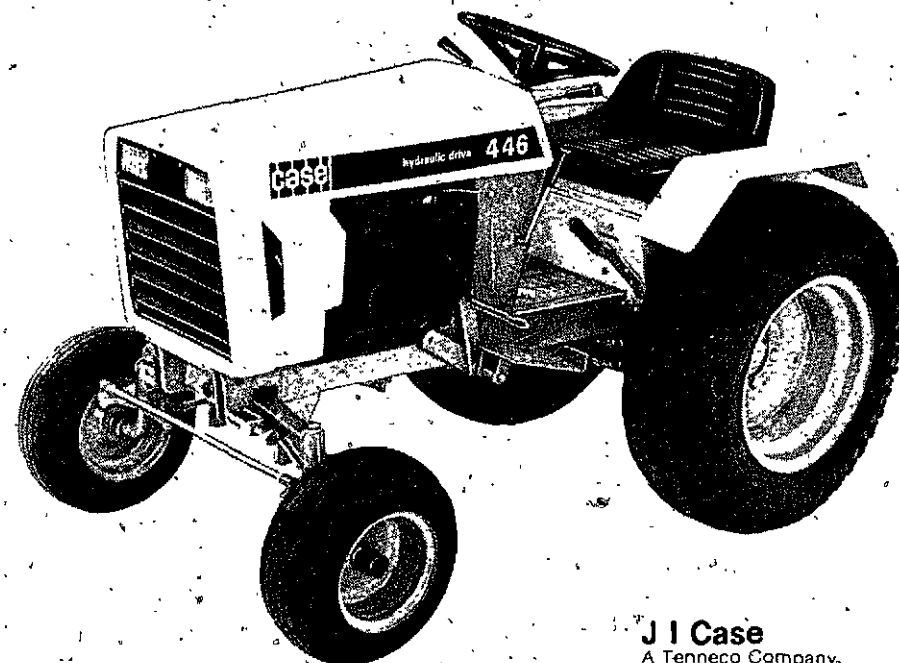
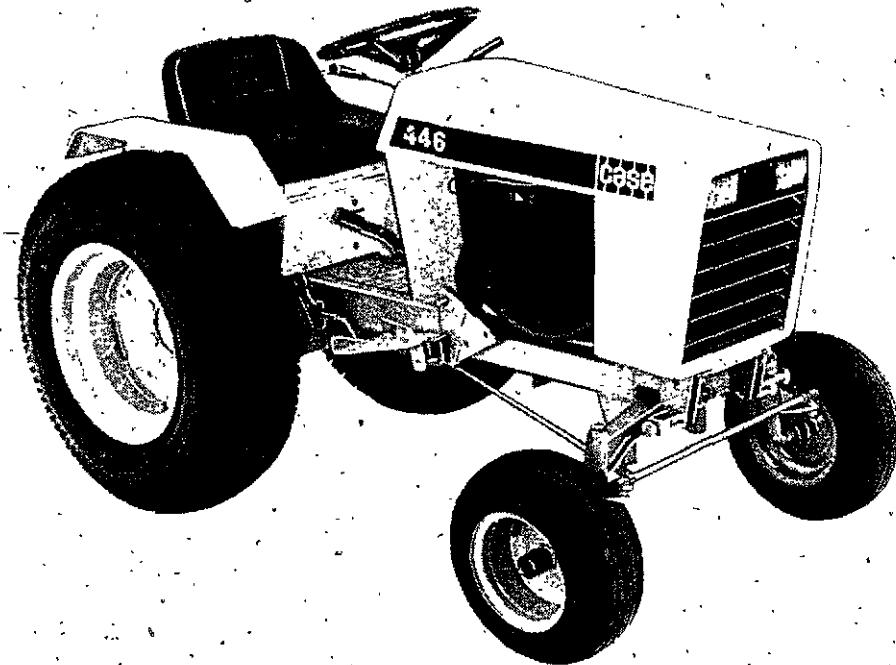


CASE MODEL 446
 COMPACT TRACTORS
 S/N 9728158 TO 9742953.
 Parts Catalog No. A1298

7-80-OP-2000

NOTE: This catalog replaces Catalog No. 1298 and all revisions.
 Discard Catalog No. 1298 and all revisions.



ALPHABETICAL INDEX

ENGINE SECTION

	PAGE	GRID		PAGE	GRID
Air Filter	5	A6	Exhaust System	21	B10
Baffles and Shields	17-21	B6-B10	Fan	27	C2
Battery	53	E2	Flywheel, Engine	9	A10
Camshaft	9	A10	Fuel System	5-23	A6-B12
Carburetor	5-7	A6-A8	Governor	15-17	B4-B6
Choke and Throttle	23	B12	Housing, Blower	17	B6
Clutch, PTO	27	C2	Oil Pan	15	B4
Crankshaft	9	A10	Oil Pump	15	B4
Electrical System	19-53	B8-E2	Pistons and Rods	9	A10
Engine Block	11-13	A14-B2	Starter Motor	17	B6

BASIC TRACTOR SECTION

	PAGE	GRID		PAGE	GRID
Axle - Front	33	C10	Instruments	53	E2
Axle - Rear	47	D10	Lift, Implement, Hydraulic	53	E2
Baffles & Heat Shields	17-21-51	B6-B10-D14	Model D10 Wheel Weights	65	E14
Brakes	37	C14	Model F27 Three Point Hitch		
Clutch, Assembly, PTO	25	B14	Adapter	61	E10
Control - Speed	41	D4	Model H26 Three Point Hitch	59	E8
Decals	57	E6	Model H13 Weight Box	67	F2
Electrical System	19-53	B8-E2	Model H18 Counterweight		
Fenders	31	C8	Brackets	67	F2
Frame	29	C6	Model J17 Hydraulic PTO Kit	69-71	F4-F6
Grille	29	C6	Model J24 Sleeve Hitch	63	E12
Hitch	45	D8	P.T.O. Clutch	27	C2
Hood	29	C6	Seat, Operator's	31	C8
Hydraulics	39	D2	Steering Wheel & Gear	35	C12
Coupling, Pump Drive	39-43	D2-D6	Tail Lamp	55	E4
Heat Exchanger Mtg.	51	D14	Tool Box	31	C8
Hoses, Lines & Fittings	39	D2	Transmission	47	D10
Motor, Hydraulic Drive	39-41	D2-D4	Wheels, Front & Rear	37	C14
Pump	39-43	D2-D4			
Reservoir Mtg.	51	D14			
Valve, Hydraulic	45	D8			

Printed in U.S.A.

J I Case
 A Tenneco Company
 OPE Division
 Technical Publications
 119 S. First Street
 Winneconne, Wis. 54986



GENERAL INFORMATION

Indexes

This parts Catalog is arranged for easy identification of Genuine CASE Service Parts. An alphabetical index is provided at the front of this Catalog to locate the major groups or assemblies. A numerical index at the rear of the Catalog gives the part numbers and the pages on which they are described.

Illustrations

All parts are illustrated in "Exploded Views" which show the individual parts in their normal relationship to each other. Reference numbers are used in the illustrations. These numbers correspond to those in the "Reference Number" column and are followed by the part number, description and quantity required.

Orders

Orders should plainly specify correct part number, full description, quantity required, machine model and engine model, machine and engine serial numbers, method of shipment and shipping address.

Changes

When changes to the machine make it necessary, revised pages for this book will be issued. The revised pages will be issued with the same page number as those they replace and the "issue" number and date will be advanced.

It is imperative that revised Parts Book pages be inserted into their respective Parts Books as soon as received. Failure to do so will lead to confusion and defeat the purpose of the book.

Indented Description

Indented parts in the descriptive list are a part of the preceding assembly or sub-assembly.

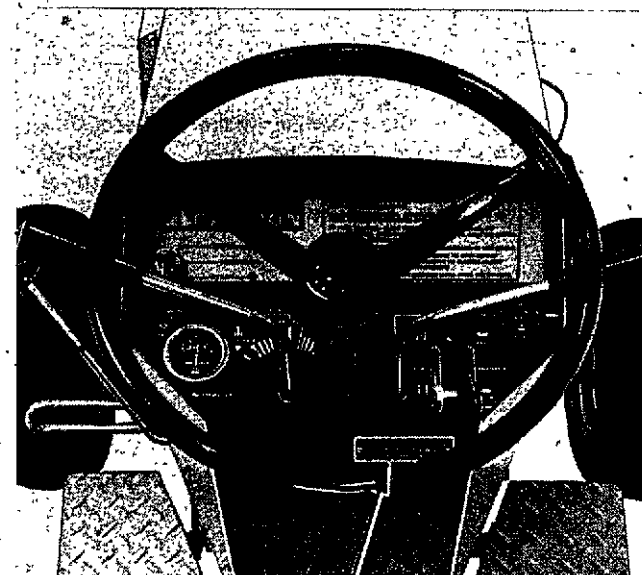
The quantity shown in the "Number Required" column is the number of parts used on a machine except where parts are indented in descriptive list. In this case the quantity shown is the number required for the preceding assembly or sub-assembly.

REF.	PART NO.	DESCRIPTION	REQ'D
	A 55159	CYLINDER ASSY - rear steering	1
28	A 56208	SOCKET ASSY - rear cylinder	1
29	A 55956	PLUG - adjusting, socket assy	1
30	A 55957	SEAT - socket ball	2
31	A 56210	SPRING - socket	1
32	A 56209	SEAT - socket spring	1
33	G 45175	CLAMP ASSY - socket assy	1
	16 836	BOLT - 1/2" x 2-1/4" N.F. hex	1
34	132 104	PIN - cotter, 3/16" x 3"	1
35	A 55889	STUD - ball, socket & cylinder	2
36	13 410	BOLT - 1/4" x 5/8" N.C., hex	4
37	92 4	LOCKWASHER - 1/4" SAE	4

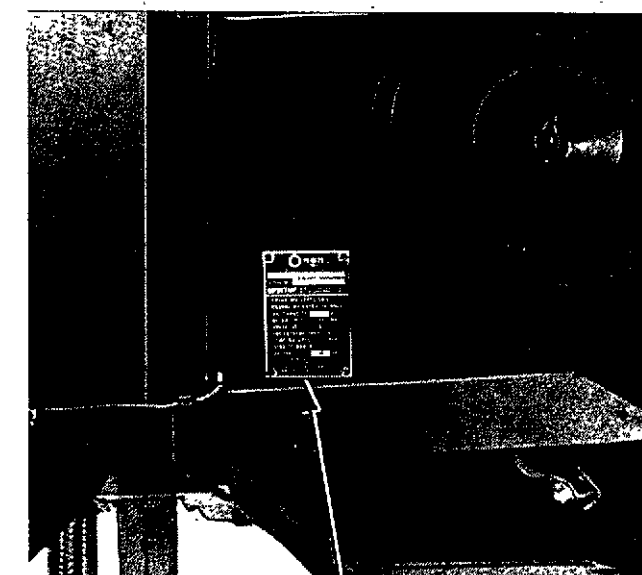
Terms "Right Hand" and "Left Hand"

"Right Hand" and "Left Hand" sides of this machine are determined by standing at the rear of the unit and facing in the direction of forward travel.

CASE 446 COMPACT TRACTOR



TRACTOR MODEL AND SERIAL NUMBER



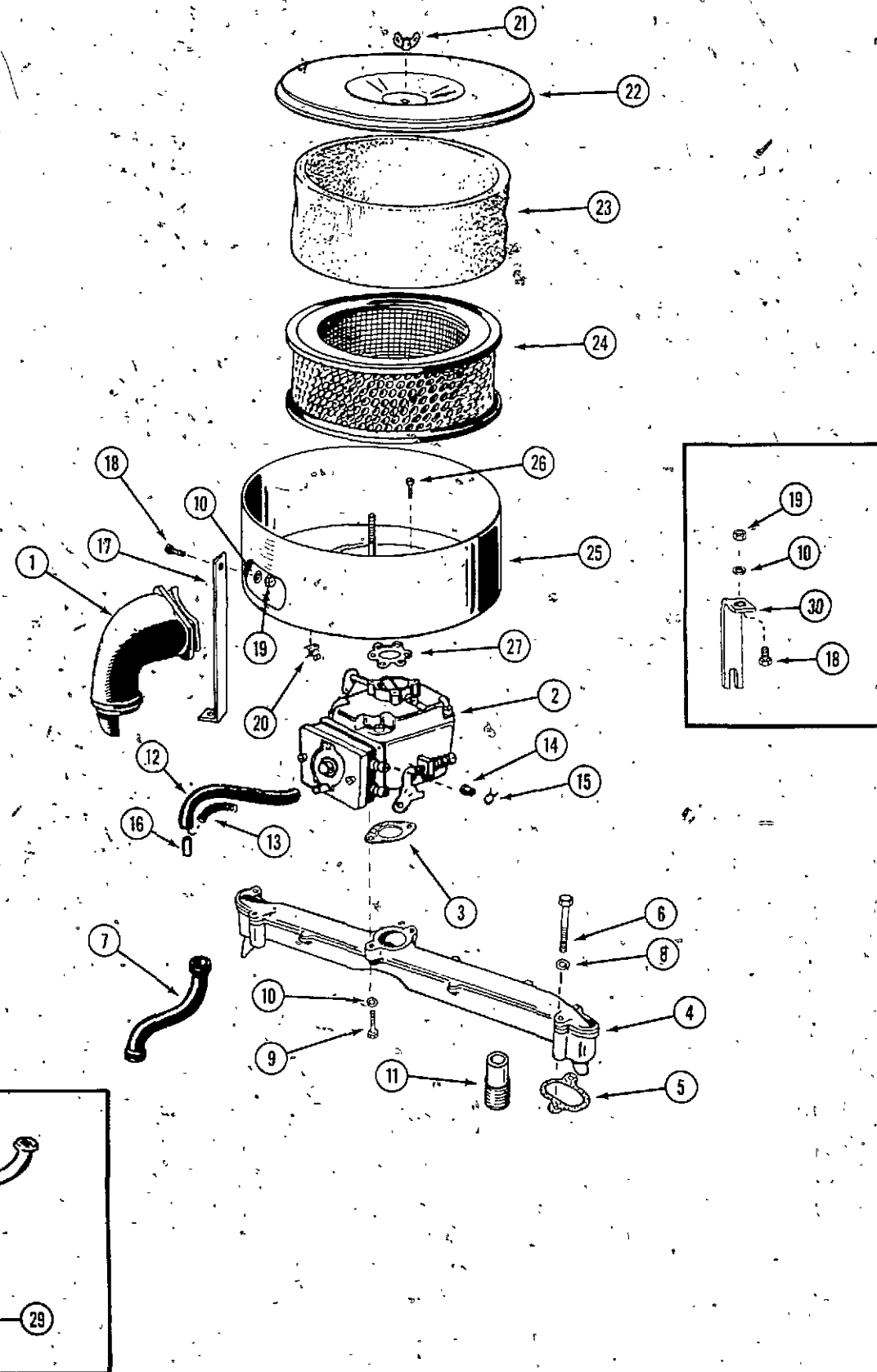
ENGINE MODEL, SERIAL AND SPECIFICATION NUMBERS

TRACTOR MODEL DESIGNATIONS	ENGINE MODEL DESIGNATIONS
446 TRACTOR	ONAN BF-MS C19029 ENGINE SPEC. NO. 2891E AND 3177E
	ONAN B43M - GA016 C24787 ENGINE SPEC. NO. 3419A

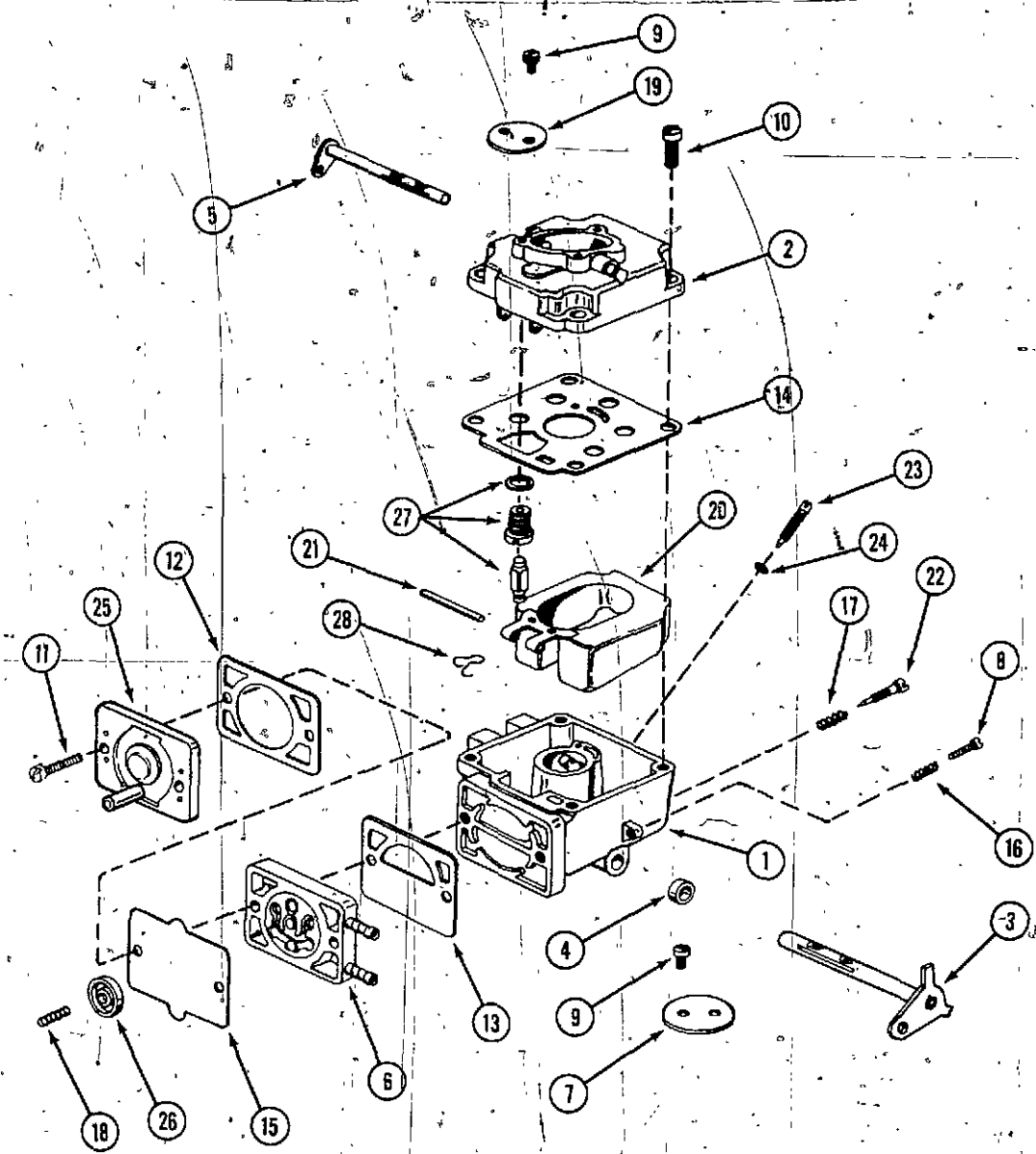
SERIAL NUMBERS

When using this catalog, notice the reference to serial numbers of various components noted here and listed in the "description" copy. By referring to correct serial numbers, proper parts identification will be assured.

CARBURETOR, AIR FILTER AND MANIFOLD



REF.	PART NO.	DESCRIPTION	REQ'D
1	C 20387	TUBE - air intake	1
2	C 24926	CARBURETOR AND FUEL PUMP ASSEMBLY - (repairs page 7)	1
3	C 20389	GASKET - carburetor mtg.	1
4	C 20390	MANIFOLD - engine intake	1
5	C 20391	GASKET - intake manifold	2
6	13- 536	BOLT - manifold 5/16" x 2-1/4" (for BF-MS engine)	4
6	13- 532	BOLT - manifold 5/16" x 2" (for B43M engine)	4
7	C 20261	HOSE - breather (for BF-MS engine)	1
8	92- 5	LOCKWASHER - 5/16"	4
9	13- 420	BOLT - 1/4" x 1-1/4" N.C. hex (for BF-MS engine)	2
9	113- 65	BOLT - 1/4" x 1-3/4" (for B43M engine)	2
10	92- 4	LOCKWASHER - 1/4"	3
11	C 20401	NIPPLE - exhaust, 1" x 2-1/2"	2
12	C 23300	HOSE - fuel pump	1
13	C 20406	SPRING - fuel pump hose (early production)	1
14	C 20411	CAP - fuel pump	1
15	214- 102	CLAMP - hose 7/16"	1
16	C 20412	TUBE - fuel pump vacuum (in eng. block)	1
17	C 20393	SUPPORT - air cleaner	1
18	13- 48	BOLT - 1/4" x 1/2" N.C. hex	1
19	25- 104	NUT - 1/4" N.C. hex	1
20	C 20407	CLIP - choke cable	2
21	129- 505	NUT - wing 1/4"	1
22	C 20399	COVER - air cleaner	1
23	C 20405	PRE-CLEANER	1
24	C 20398	ELEMENT - air cleaner	1
25	C 20397	HOUSING - air cleaner	1
26	163- 31	SCREW - #10 x 3/8" round head	3
27	C 20396	GASKET - air cleaner mtg.	1
28	C 24927	HOSE - breather (for B43M engine)	1
29	C 20492	FILTER - breather (for B43M engine)	1
30	C 24929	BRACKET - support (for B43M engine)	1

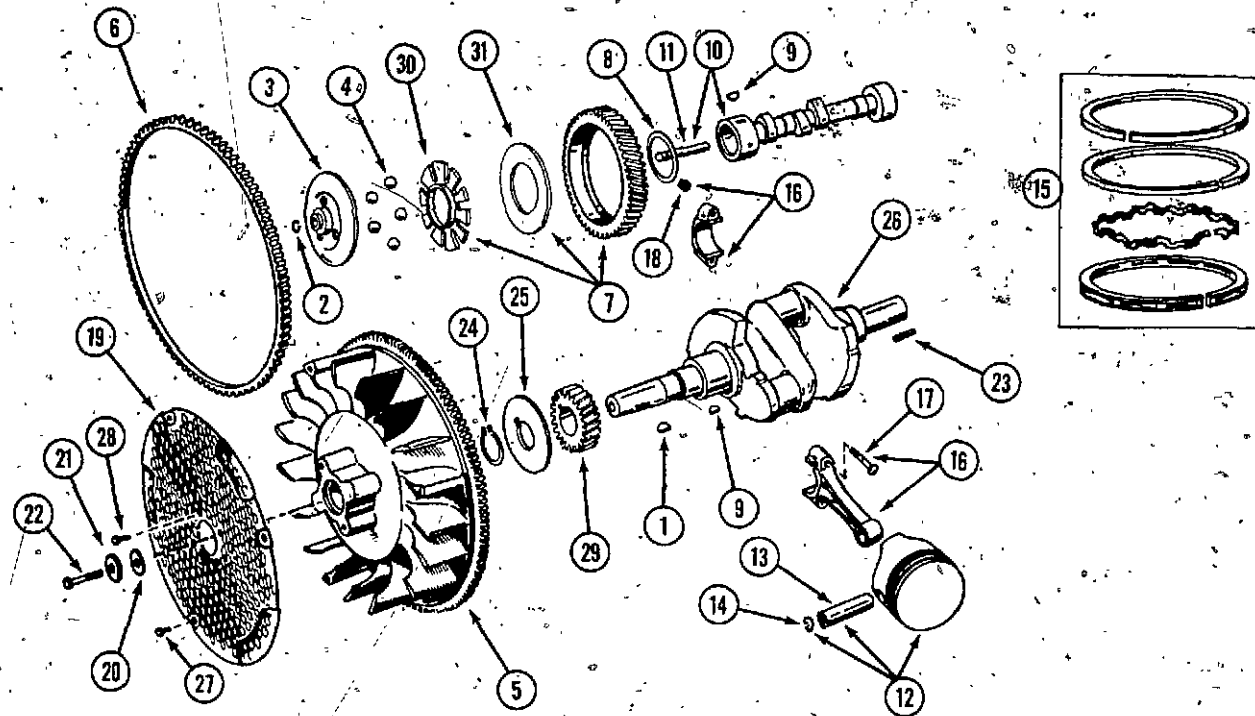


**CASE MODEL 446 COMPACT TRACTOR
CARBURETOR AND FUEL PUMP ASSEMBLY**

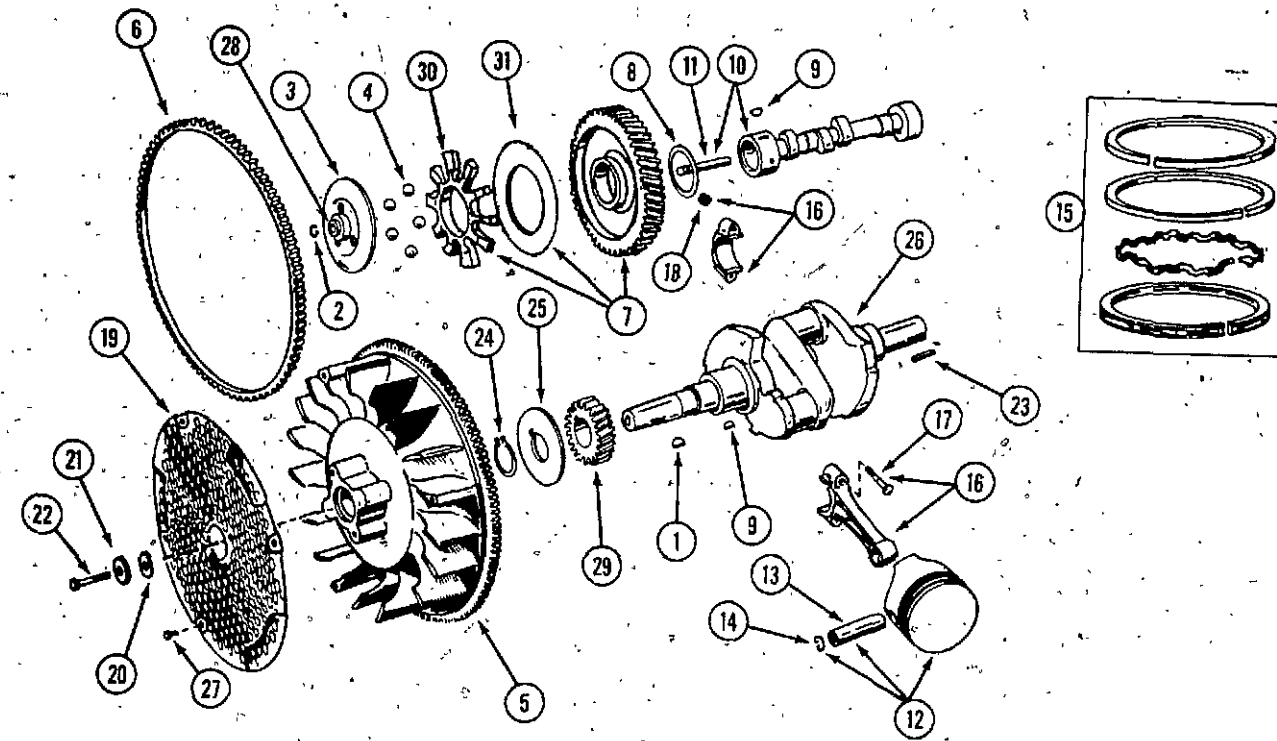
**C20388 CARBURETOR USED PRIOR TO ENGINE S/N H763193402
IS REPLACED BY
C24926 CARBURETOR USED ENGINE S/N H763193402 AND AFTER**

REF.	PART NO.	DESCRIPTION	REQ'D
1	NSS	BODY ASSEMBLY - carburetor (order C24926 carburetor)	1
2	NSS	SLEEVE ASSEMBLY - carburetor (order C24926 carburetor)	1
3	NSS	SHAFT - throttle (See kit below)	1
4	NSS	PACKING - shaft (See kit below)	1
5	C 20427	SHAFT - choke	1
6	C 20428	VALVE - plate assembly (See kit below)	1
7	C 20429	FLY - throttle	1
8	C 20430	SCREW - throttle stop	1
9	NSS	SCREW - fly mounting (See kit below)	4
10	C 20432	SCREW - bowl cover mtg.	4
11	C 20433	SCREW - pump cover	2
12	C 20434	GASKET - cover to valve plate (See kit below)	1
13	NSS	GASKET - pump cover (See kit below)	1
14	NSS	GASKET - sleeve assembly (See kit below)	1
15	C 20437	DIAPHRAGM - fuel pump (See kit below)	1
16	C 20438	SPRING - screw, throttle stop	1
17	C 20439	SPRING - idle needle (See kit below)	1
18	C 20440	SPRING - diaphragm, fuel pump (See kit below)	1
19	C 20441	FLY - choke	1
20	C 20442	FLOAT ASSEMBLY - carburetor	1
21	C 20443	PIN - float (See kit below)	1
22	NSS	NEEDLE - idle adjust (See kit below)	1
23	C 20445	NEEDLE ASSEMBLY - power	1
24	C 20446	"O" RING - needle assembly	1
25	C 20447	COVER - fuel pump	1
26	C 20448	PLATE - spring, fuel pump (See kit below)	2
27	NSS	INLET - needle and seat assembly (See kit below)	1
28	C 20450	GLIP - float pin	1
	C 20451	KIT - gasket set (includes items 4, 12, 13 and 14) for C20388 carburetor	1
	C 20452	KIT - repair (includes items 3, 6, 9, 15, 17, 18, 21, 22, 26, 27 and C20451 gasket kit) for C20388 carburetor	1
	C 24665	KIT - gasket (includes items 4, 12, 13 and 14) for C24926 carburetor	1
	C 24666	KIT - repair (includes items 3, 6, 9, 15, 17, 18, 21, 22, 26, 27 and gasket kit) for C24926 carburetor	1

**PISTON, CRANKSHAFT, FLYWHEEL AND CAMSHAFT
(BF-MS ENGINE)**

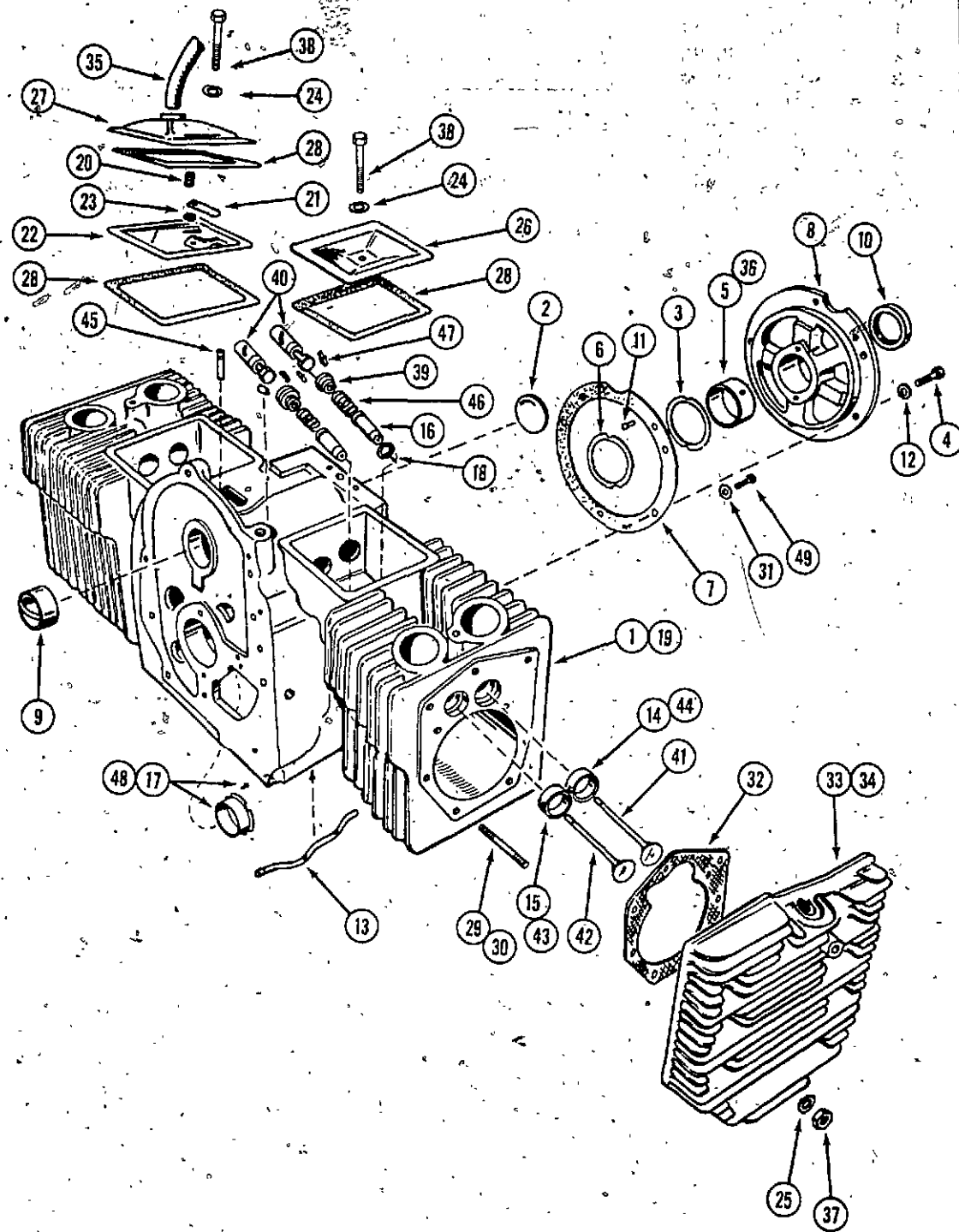


REF.	PART NO.	DESCRIPTION	REQ'D
1	126- 17	KEY - woodruff 3/16" x 3/4", flywheel mtg.	1
2	C 20223	RING - camshaft center pin	1
3	C 22260	CUP - governor	1
4	211- 14	BALL - fly, governor	5
5	C 20227	FLYWHEEL - eng. (includes ring gear & magnet ring)	1
6	C 20226	GEAR - ring, flywheel	1
7	C 22261	GEAR ASSEMBLY - camshaft (includes items 30 and 31)	1
8	C 20229	WASHER - thrust, camshaft gear	1
9	126- 9	KEY - woodruff-1/8" x 1/2"	2
10	C 23304	CAMSHAFT - (includes C 20233 pin)	1
11	C 20233	PIN - camshaft center	1
12	C 23305	PISTON AND PIN ASSEMBLY - standard (includes item 14)	2
12	C 23306	PISTON AND PIN ASSEMBLY - .005" oversize (includes item 14)	2
12	C 23307	PISTON AND PIN ASSEMBLY - .010" oversize (includes item 14)	2
12	C 23308	PISTON AND PIN ASSEMBLY - .020" oversize (includes item 14)	2
12	C 23309	PISTON AND PIN ASSEMBLY - .030" oversize (includes item 14)	2
12	C 23310	PISTON AND PIN ASSEMBLY - .040" oversize (includes item 14)	2
13	C 20240	PIN - piston	2
14	C 20241	RETAINER - piston pin	4
15	C 23311	RING SET - piston, (standard)	2
15	C 23312	RING SET - piston, (.005" oversize)	2
15	C 23313	RING SET - piston, (.010" oversize)	2
15	C 23314	RING SET - piston, (.020" oversize)	2
15	C 23315	RING SET - piston, (.030" oversize)	2
15	C 23316	RING SET - piston, (.040" oversize)	2
16	C 20202	CONNECTING ROD ASSEMBLY - (standard) includes 17 and 18.	2
16	C 20203	CONNECTING ROD ASSEMBLY - (.010" undersize) includes 17 and 18.	2
16	C 20204	CONNECTING ROD ASSEMBLY - (.020" undersize) includes 17 and 18.	2
16	C 20205	CONNECTING ROD ASSEMBLY - (.030" undersize) includes 17 and 18.	2
17	C 20212	BOLT - connecting rod, special 5/16" N.F. hex	4
18	131- 527	NUT - lock, connecting rod 5/16" N.F. hex	4
19	C 20215	SCREEN - flywheel	1
20	C 20303	WASHER - 7/16" flywheel mtg.	1
21	92- 7	LOCKWASHER - 7/16"	1
22	13- 764	BOLT - 7/16" x 4" N.C. hex, flywheel mtg.	1
23	T 25070	KEY - 1/4 x 1/4" sq. x 2", rear crankshaft	1
24	R 13338	RETAINER - crankshaft gear	1
25	C 20219	WASHER - retaining, crankshaft gear	1
26	C 22500	CRANKSHAFT - engine	1
27	164- 529	SCREW - locking 1/4" x 1/2" N.C. hex	3
28	C 20222	SCREW - locking 5/16" x 1/2" N.C. hex	2
29	C 22262	GEAR - crankshaft	1
30	C 22263	SPACER - governor flyball	1
31	C 22264	PLATE - governor flyball	1



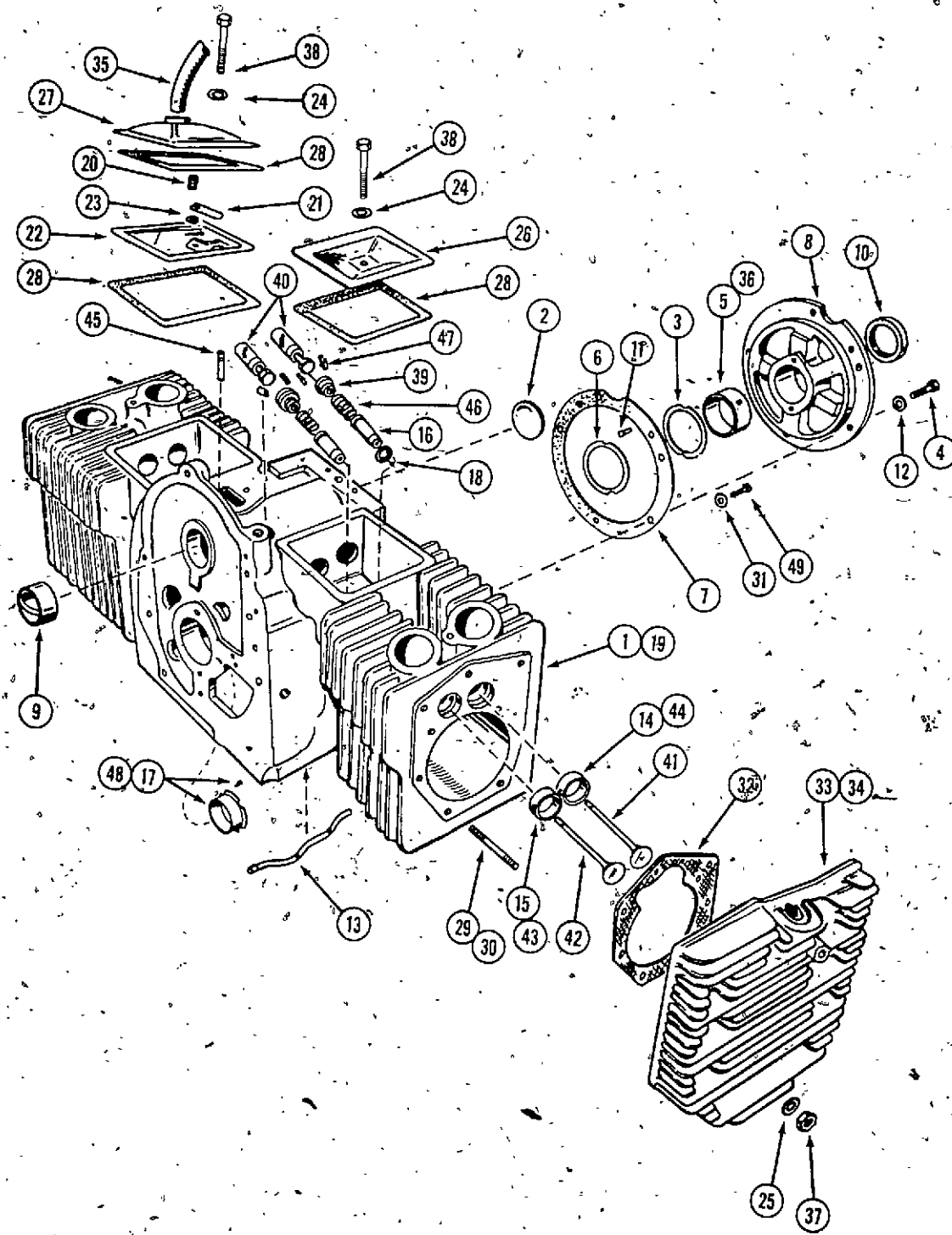
**PISTON, CRANKSHAFT, FLYWHEEL AND CAMSHAFT
(B43M ENGINE)**

REF.	PART NO.	DESCRIPTION	REQ'D
1	126- 17	KEY - woodruff 3/16" x 3/4", flywheel mtg.	1
2	C 20223	RING - camshaft center pin	1
3	C 24326	CUP - governor	1
4	211- 14	BALL - fly, governor	5
5	C 24943	FLYWHEEL - eng. (includes ring gear & magnet ring)	1
6	C 20226	GEAR - ring, flywheel	1
7	C 22261	GEAR ASSEMBLY - camshaft (includes items 30 and 31)	1
8	C 20229	WASHER - thrust, camshaft gear	1
9	126- 9	KEY - woodruff 1/8" x 1/2"	2
10	C 23304	CAMSHAFT - (includes C 20233 pin)	1
11	C 20233	PIN - camshaft center	1
12	C 24931	PISTON AND PIN ASSEMBLY - standard (includes item 14)	2
12	C 24932	PISTON AND PIN ASSEMBLY - .005" oversize (includes item 14)	2
12	C 24933	PISTON AND PIN ASSEMBLY - .010" oversize (includes item 14)	2
12	C 24934	PISTON AND PIN ASSEMBLY - .020" oversize (includes item 14)	2
12	C 24935	PISTON AND PIN ASSEMBLY - .030" oversize (includes item 14)	2
12	C 24936	PISTON AND PIN ASSEMBLY - .040" oversize (includes item 14)	2
13	C 20240	PIN - piston	2
14	C 20241	RETAINER - piston pin	4
15	C 24937	RING SET - piston, (standard)	2
15	C 24938	RING SET - piston, (.005" oversize)	2
15	C 24939	RING SET - piston, (.010" oversize)	2
15	C 24940	RING SET - piston, (.020" oversize)	2
15	C 24941	RING SET - piston, (.030" oversize)	2
15	C 24942	RING SET - piston, (.040" oversize)	2
16	C 20202	CONNECTING ROD ASSEMBLY - (standard) includes 17 and 18.	2
16	C 20203	CONNECTING ROD ASSEMBLY - (.010" undersize) includes 17 and 18.	2
16	C 20204	CONNECTING ROD ASSEMBLY - (.020" undersize) includes 17 and 18.	2
16	C 20205	CONNECTING ROD ASSEMBLY - (.030" undersize) includes 17 and 18.	2
17	C 20212	BOLT - connecting rod, special 5/16" N.F. hex	4
18	131- 527	NUT - lock, connecting rod 5/16" N.F. hex	4
19	C 20215	SCREEN - flywheel	1
20	C 20303	WASHER - 7/16" flywheel mtg.	1
21	92- 27	LOCKWASHER - 7/16"	1
22	13- 764	BOLT - 7/16" x 4" N.C. hex, flywheel mtg.	1
23	T 25070	KEY - 1/4 x 1/4" sq. x 2", rear crankshaft	1
24	R 13338	RETAINER - crankshaft gear	1
25	C 20219	WASHER - retaining, crankshaft gear	1
26	C 22500	CRANKSHAFT - engine	1
27	182- 547	SCREW - locking 1/4" x 1/2" N.C. hex	3
28	C 24325	HUB - governor cup	2
29	C 22262	GEAR - crankshaft	1
30	C 22263	SPACER - governor flyball	1
31	C 22264	PLATE - governor flyball	1



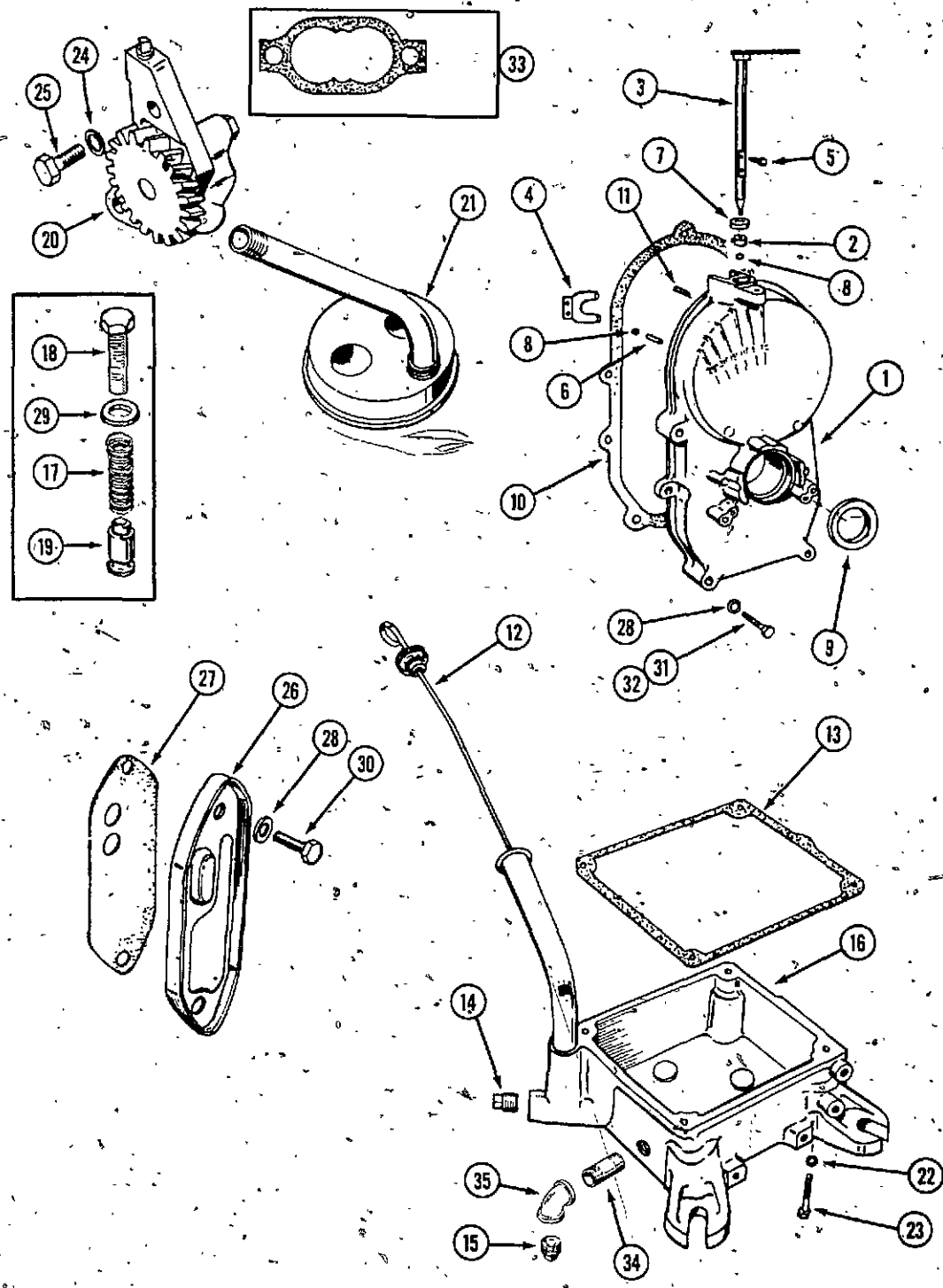
ENGINE BLOCK AND ATTACHING PARTS

REF.	PART NO.	DESCRIPTION	REQ'D
1	C 24945	BLOCK ASSEMBLY - cylinder, standard bore (for B43M engine)	1
1	C 23318	BLOCK ASSEMBLY - cylinder, standard bore (for BF-MS engine)	1
2	41- 26	PLUG - camshaft expansion	1
3	C 20256	SHIM - rear bearing plate (.005")	UAR
4	13- 620	BOLT - 3/8" x 1-1/4" N.C. hex	5
5	C 22618	BEARING - crankshaft, rear (std.)	1
6	C 20267	WASHER - thrust, crankshaft bearing	2
7	C 20268	GASKET - bearing plate	1
8	C 20269	PLATE - bearing (excludes bearing)	1
9	C 20270	BEARING - camshaft	2
10	C 20271	SEAL - bearing plate	1
11	C 20272	PIN - main bearing stop	4
12	92- 6	LOCKWASHER - 3/8" bearing plate	5
13	C 20279	TUBE - oil, crankcase	1
14	C 20287	INSERT - valve seat, intake	2
15	C 20282	INSERT - valve seat, exhaust	2
16	C 20292	GUIDE - valve	4
17	C 20295	BEARING - crankshaft front (std.)	1
18	C 20302	GASKET - valve guide, intake	2
19	C 21568	BLOCK ASSEMBLY - short (for BF-MS engine) (includes: cylinder and crankcase, all bearings, crankshaft, camshaft, timing gear, governor gear case, rods, pistons, rings, valves, oil pump and breather tube)	1
19	C 24947	BLOCK ASSEMBLY - short (for B43M engine) (includes: cylinder and crankcase, all bearings, crankshaft, camshaft, timing gear, governor gear case, rods, pistons, rings, valves, oil pump and breather tube)	1
20	C 20243	SPRING - breather valve	1
21	C 20244	VALVE - breather	1
22	C 20245	BAFFLE - breather	1
23	195- 2010	WASHER - 1/4"	1
24	C 20247	WASHER - 1/4" copper	2
25	C 20248	WASHER - 5/16"	18
26	C 20249	COVER - valve L.H.	1
27	C 20250	COVER - valve R.H.	1
28	C 20251	GASKET - valve cover	3
29	C 20253	STUD - cylinder head 5/16" x 2-5/16" N.F.	6
30	C 20254	STUD - cylinder head 5/16" x 2-1/16" N.F.	12
31	C 20574	WASHER - copper 3/8"	2
32	C 20257	GASKET - cylinder head	2
33	C 20258	HEAD - R.H. No. 2	1
34	C 20259	HEAD - L.H. No. 1	1
35	C 20261	HOSE - breather	1
36	C 22619	BEARING - crankshaft, rear (.002" undersize)	1
36	C 22620	BEARING - crankshaft, rear (.010" undersize)	1
36	C 22621	BEARING - crankshaft, rear (.020" undersize)	1
36	C 22622	BEARING - crankshaft, rear (.030" undersize)	1
37	129- 102	NUT - cylinder head 5/16" N.C. hex	18
38	13- 428	BOLT - valve cover 1/4" x 1-3/4" hex	2
39	C 20275	RETAINER - valve spring	4
40	C 20276	TAPPET - valve (standard)	4
40	C 20470	TAPPET - valve (.001" oversize)	4



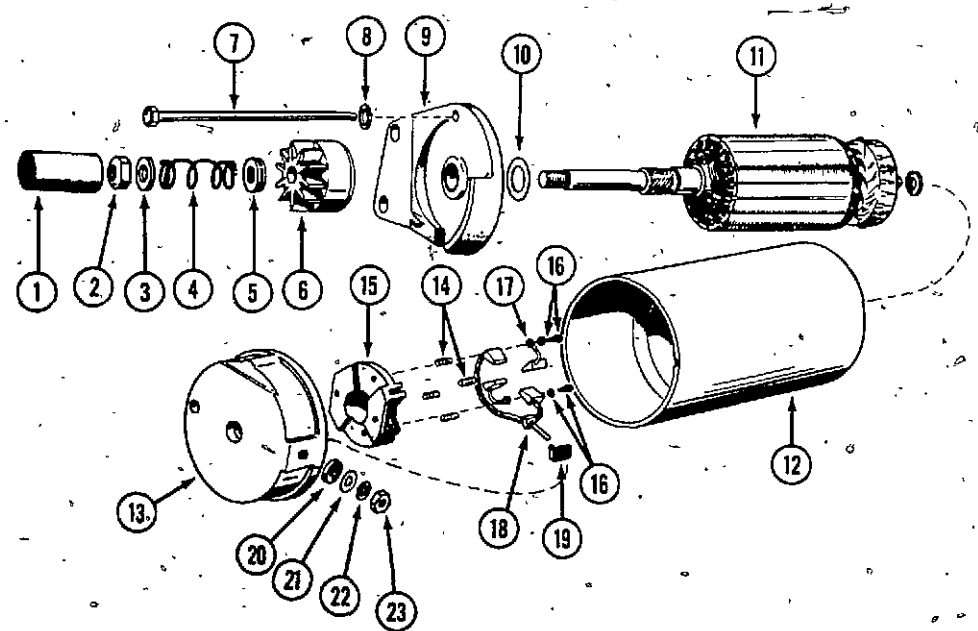
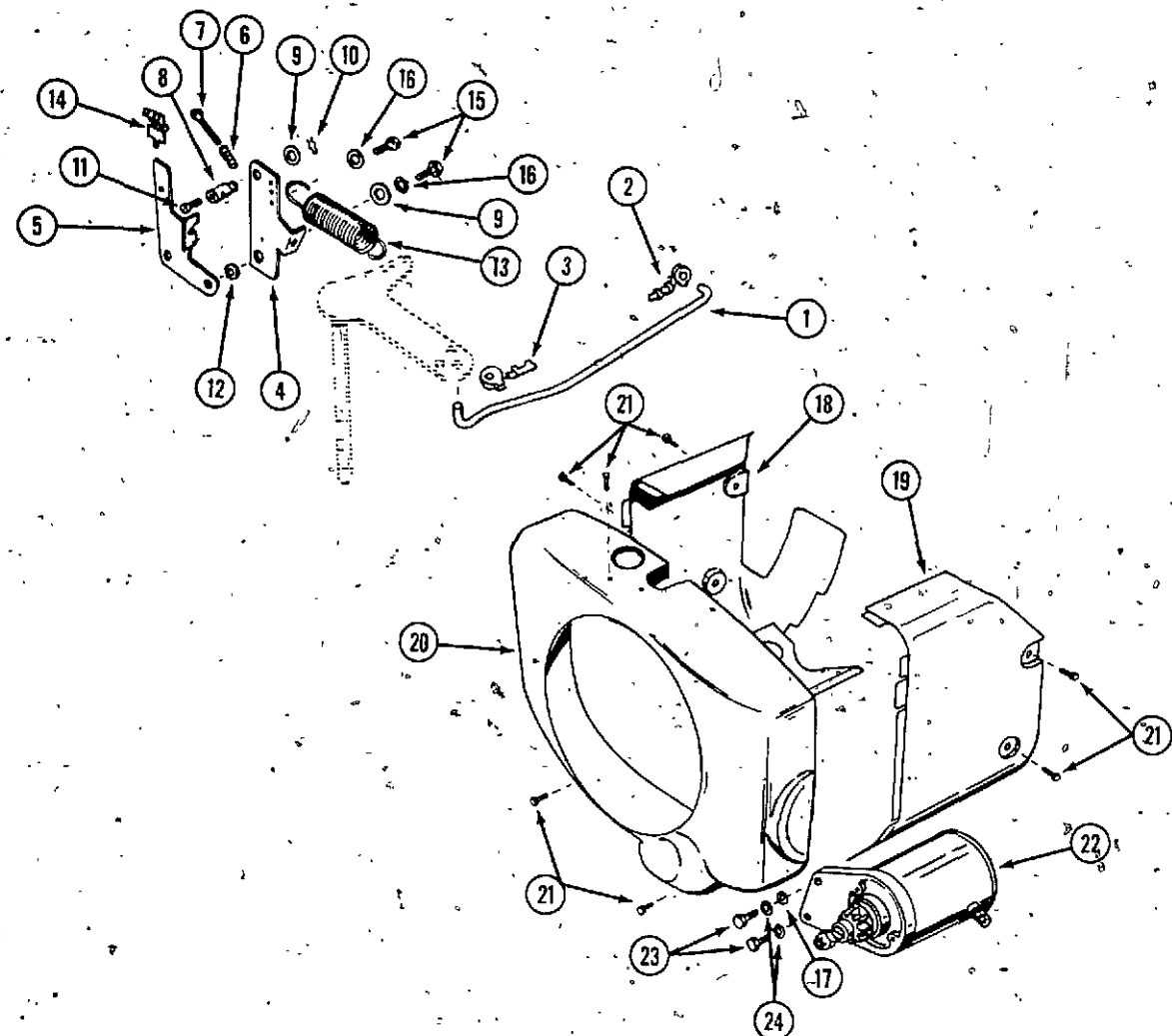
ENGINE BLOCK AND ATTACHING PARTS

REF.	PART NO.	DESCRIPTION	REQ'D
40	C 20471	TAPPET - valve (.002" oversize)	4
40	C 20277	TAPPET - valve (.005" oversize)	4
41	C 20280	VALVE - intake	2
42	C 20281	VALVE - exhaust	2
43	C 20283	INSERT - valve seat, exhaust (.002" oversize)	2
43	C 20284	INSERT - valve seat, exhaust (.005" oversize)	2
43	C 20285	INSERT - valve seat, exhaust (.010" oversize)	2
43	C 20286	INSERT - valve seat, exhaust (.025" oversize)	2
44	C 20288	INSERT - valve seat, intake (.002" oversize)	2
44	C 20289	INSERT - valve seat, intake (.005" oversize)	2
44	C 20290	INSERT - valve seat, intake (.010" oversize)	2
44	C 20291	INSERT - valve seat, intake (.025" oversize)	2
45	C 20412	TUBE - fuel pump vacuum	1
46	C 20293	SPRING - valve	4
47	C 20294	LOCK - valve and spring	8
48	C 20296	BEARING - crankshaft, front (.002" undersize)	1
48	C 20297	BEARING - crankshaft, front (.010" undersize)	1
48	C 20298	BEARING - crankshaft, front (.020" undersize)	1
48	C 20299	BEARING - crankshaft, front (.030" undersize)	1
49	13- 68	BOLT - 3/8" x 1/2" N.C. hex	2
50	C 20377	KIT - gasket, engine (for BF-MS engine)	1
	C 20355	KIT - gasket, carbon removal (includes: valve cover gaskets, cylinder head gaskets, and intake manifold gaskets) (BF-MS engine)	1
	C 20378	KIT - overhaul, engine (includes: valves, valve springs and retainers, ring set, breather tube, points, plugs, condenser, crankshaft retaining ring, air cleaner element, carburetor gasket kit and engine gasket kit) (for BF-MS engine)	1
	C 25224	KIT - gasket, engine (for B43M engine)	1
	C 25225	KIT - gasket, carbon removal (for B43M engine) (includes: valve cover gaskets, cylinder head gaskets, and intake manifold gaskets)	1
	C 25226	KIT - overhaul, engine (for B43M engine) (includes: valves, valve springs and retainers, ring set, breather tube, points, plugs, condenser, crankshaft retaining ring, air cleaner element, carburetor gasket kit and engine gasket kit)	1



OIL BASE, OIL PUMP AND GEAR COVER.

REF.	PART NO.	DESCRIPTION	REQ'D
1	C 22631	COVER ASSEMBLY - gear	1
2	C 20305	BEARING - governor shaft	1
3	C 22632	SHAFT AND ARM ASSEMBLY - governor	1
4	C 20307	YOKE - governor shaft	1
5	182- 84	SCREW - yoke retaining	2
6	C 20309	PIN - governor, cup stop	1
7	C 20310	SEAL - oil, governor shaft	1
8	211- 5	BALL - governor shaft bearing	2
9	C 20312	SEAL - gear cover	1
10	C 20313	GASKET - gear cover	1
11	C 23320	PIN - gear cover 5/16" x 1-1/8"	2
12	C 20315	DIPSTICK - oil level indicator (for BF-MS engine)	1
12	C 24958	DIPSTICK - oil level indicator (for B43M engine)	1
13	C 20316	GASKET - oil pan	1
14	221- 14	PLUG - oil base, 1/2" sq. head	1
15	221- 844	PLUG - oil base, 1/2" socket head	1
16	C 22633	BASE - oil	1
17	C 20320	SPRING - oil by-pass	1
18	14- 616	BOLT - oil by-pass 3/8" x 1" N.C. hex	1
19	C 20322	VALVE - oil by-pass	1
20	C 20323	PUMP - oil	1
21	C 23321	INTAKE - oil pump (includes cup, screen and pipe)	1
22	92- 6	LOCKWASHER - 3/8"	4
23	13- 640	BOLT - 3/8" x 2-1/2" N.C. hex	4
24	92- 4	LOCKWASHER - 1/4"	2
25	13- 416	BOLT - 1/4" x 1" N.C. hex	2
26	C 20329	COVER - oil filter pad (for BF-MS engine)	1
27	C 20330	GASKET - oil filter cover (for BF-MS engine)	1
28	C 20331	WASHER - 5/16" copper	7
29	C 20574	WASHER - 3/8" copper	1
30	13- 512	BOLT - 5/16" x 3/4" N.C. hex	2
31	13- 528	BOLT - 5/16" x 1-3/4"	4
32	13- 536	BOLT - 5/16" x 2-1/4"	1
33	C 20325	KIT - gasket, oil pump	1
34	221- 1190	NIPPLE - oil drain	1
35	221- 1377	ELBOW - oil drain	1

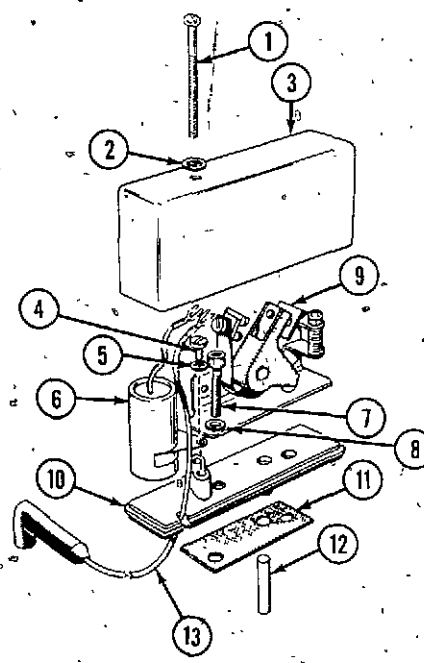
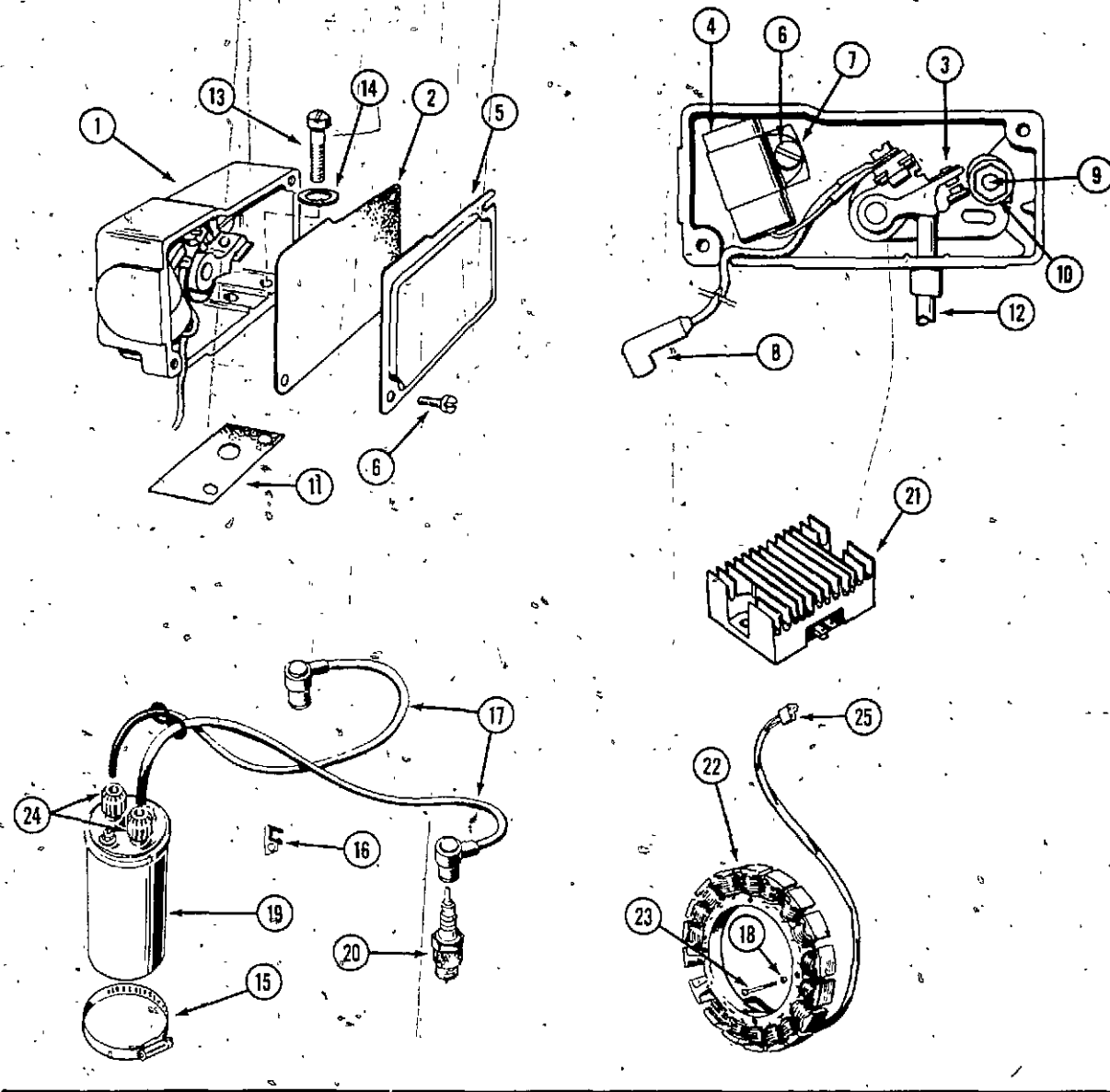


GOVERNOR AND BLOWER HOUSING

REF.	PART NO.	DESCRIPTION	REQ'D
1	C 20359	ROD - governor control	1
2	C 20360	CLIP - governor control rod, carburetor end	1
3	C 20361	CLIP - governor control rod, governor end	1
4	C 20369	ARM - governor control	1
5	C 20370	BRACKET - governor mtg.	1
6	C 20371	SPRING - throttle lever adj.	1
7	173- 64	SCREW - #6 x 3/4" round hd. mach.	1
8	C 20372	CLAMP - swivel, throttle	1
9	195- 14	WASHER - swivel clamp mtg.	2
10	136- 2	PIN - cotter, swivel clamp mtg.	1
11	169- 74	SCREW - #8 x 5/16", swivel clamp	1
12	C 20375	BUSHING - governor control	1
13	C 20376	SPRING - governor	1
14	C 20374	CLIP - throttle cable	1
15	121- 3	BOLT - 1/4" x 1/2" N.C. hex.	2
16	92- 4	LOCKWASHER - 1/4"	2
17	195- 2027	WASHER - 5/16"	2
18	C 20362	BAFFLE - cylinder air, L.H. (for BF-MS engine)	1
18	C 24951	BAFFLE - cylinder air, L.H. (for B43M engine)	1
19	C 24952	BAFFLE - cylinder air, R.H. (for B43M engine)	1
19	C 20364	BAFFLE - cylinder air, R.H. (for BF-MS engine)	1
20	C 24953	HOUSING - blower (for B43M engine)	1
20	C 20363	HOUSING - blower (for BF-MS engine)	1
21	163- 22	BOLT - 1/4" x 7/16" N.C. hex.	7
22	C 20230	MOTOR - starting, 12 volt (see below)	1
23	13- 516	BOLT - 5/16" x 1" N.C. hex, starter motor	2
24	92- 5	LOCKWASHER - 5/16"	2

C 20230 STARTER MOTOR

1	C 20231	COVER - dust	1
2	C 20216	NUT - stop	1
3	C 20217	WASHER - stop nut	1
4	C 20260	SPRING - anti drift	1
5	C 20273	SPACER - dust cover	1
6	C 20274	DRIVE ASSEMBLY	1
7	C 20278	BOLT - thru	2
8	92- 4	LOCKWASHER - thru bolt	2
9	C 20333	CAP ASSEMBLY - drive end	1
10	C 20334	WASHER - thrust, armature	1
11	C 20335	ARMATURE - starter motor	1
12	NSS	HOUSING - starter, order C 20230 starter	1
13	C 20336	CAP ASSEMBLY - commutator (includes item 14 thru 23)	1
14	NSS	SPRING - brush	4
15	NSS	HOLDER - brush	1
16	NSS	SCREW AND LOCKWASHER - brush mtg.	2
17	NSS	BRUSH - ground	2
18	NSS	STUD AND BRUSH ASSEMBLY	2
19	NSS	BUSHING - insulating	1
20	NSS	WASHER - insulating	1
21	NSS	WASHER - stud mtg.	1
22	NSS	LOCKWASHER - stud mtg.	1
23	NSS	NUT - stud mtg.	1
	C 20337	KIT - brush and spring (includes items 14, 17 and 18)	1

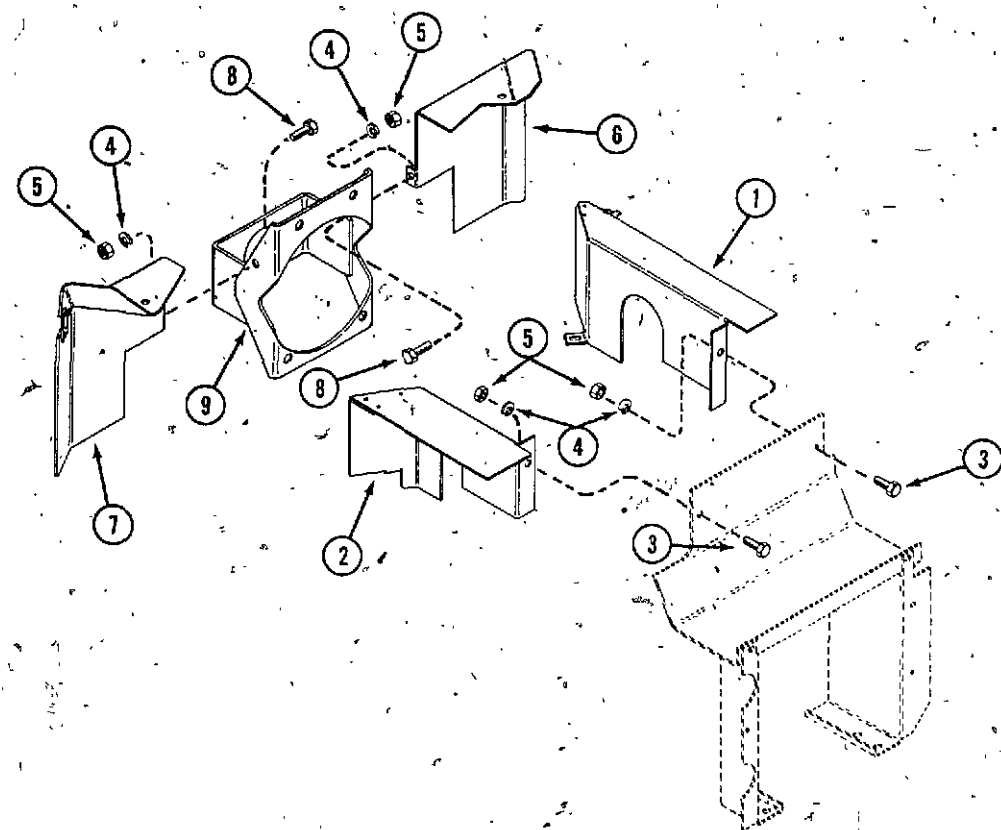


IGNITION AND CHARGING SYSTEMS

REF.	PART NO.	DESCRIPTION	REQ'D
1	NSS	BOX ASSEMBLY - breaker contact (used prior to S/N 9728278) use C23853 for service	1
2	C 20339	GASKET - breaker box cover	1
3	C 20341	POINT SET - breaker contacts	1
4	C 20343	CONDENSER - breaker contacts	1
5	C 20346	COVER - breaker box	1
6	C 23322	SCREW - #8 x 5/16" pan head	3
7	192- 6	LOCKWASHER - #8, condenser mtg.	1
8	C 20353	LEAD ASSEMBLY - points to coil	1
9	C 23323	SCREW - #8 x 3/8" pan head, breaker points mtg.	1
10	129- 26	NUT - #8 N.C. hex, points mtg.	1
11	C 20345	GASKET - breaker box mtg.	1
12	C 20347	PLUNGER - breaker contact	1
13	165- 143	SCREW - 1/4" x 3/4" N.C. socket head	2
14	92- 4	LOCKWASHER - 1/4"	2
15	214- 259	CLAMP - coil mtg.	1
16	C 24957	CLIP - sparkplug cables	1
17	C 24954	KIT - spark plug cable	1
18	92- 3	LOCKWASHER - #10	3
19	C 20349	COIL - ignition	1
20	C 24308	SPARK PLUG	2
21	C 21945	REGULATOR, RECTIFIER ASSEMBLY - 12 volt.	1
22	C 20366	STATOR - alternator charging (for BF-MS engine)	1
22	C 24956	STATOR - alternator charging (for B43M engine)	1
23	173- 219	SCREW - #10 x 1-1/2" rd. head mach.	3
24	C 25227	CAP - coil	2
25	C 25338	CONNECTOR	1

BREAKER BOX ASSEMBLY
(USED S/N 9728278 AND AFTER)

1	C 23853	BOX ASSEMBLY - breaker contact	1
2	182- 520	SCREW - #10 - 24 x 1-1/2" pan hd.	1
3	195- 513	WASHER - #10	1
4	C 23854	COVER - breaker box	1
5	182- 83	SCREW - #8 - 32 x 5/16" self tapping	1
6	192- 6	LOCKWASHER - #8	1
7	C 23855	CONDENSER - ignition	1
8	165- 143	SCREW - 1/4" - 20 x 3/4"	2
9	192- 402	LOCKWASHER - 1/4"	2
10	C 23856	POINT ASSEMBLY - breaker contact	1
11	C 25100	BASE - breaker box	1
12	C 20345	GASKET - breaker box	1
13	C 20347	PLUNGER - breaker box	1
13	C 20353	LEAD - breaker to coil negative	1

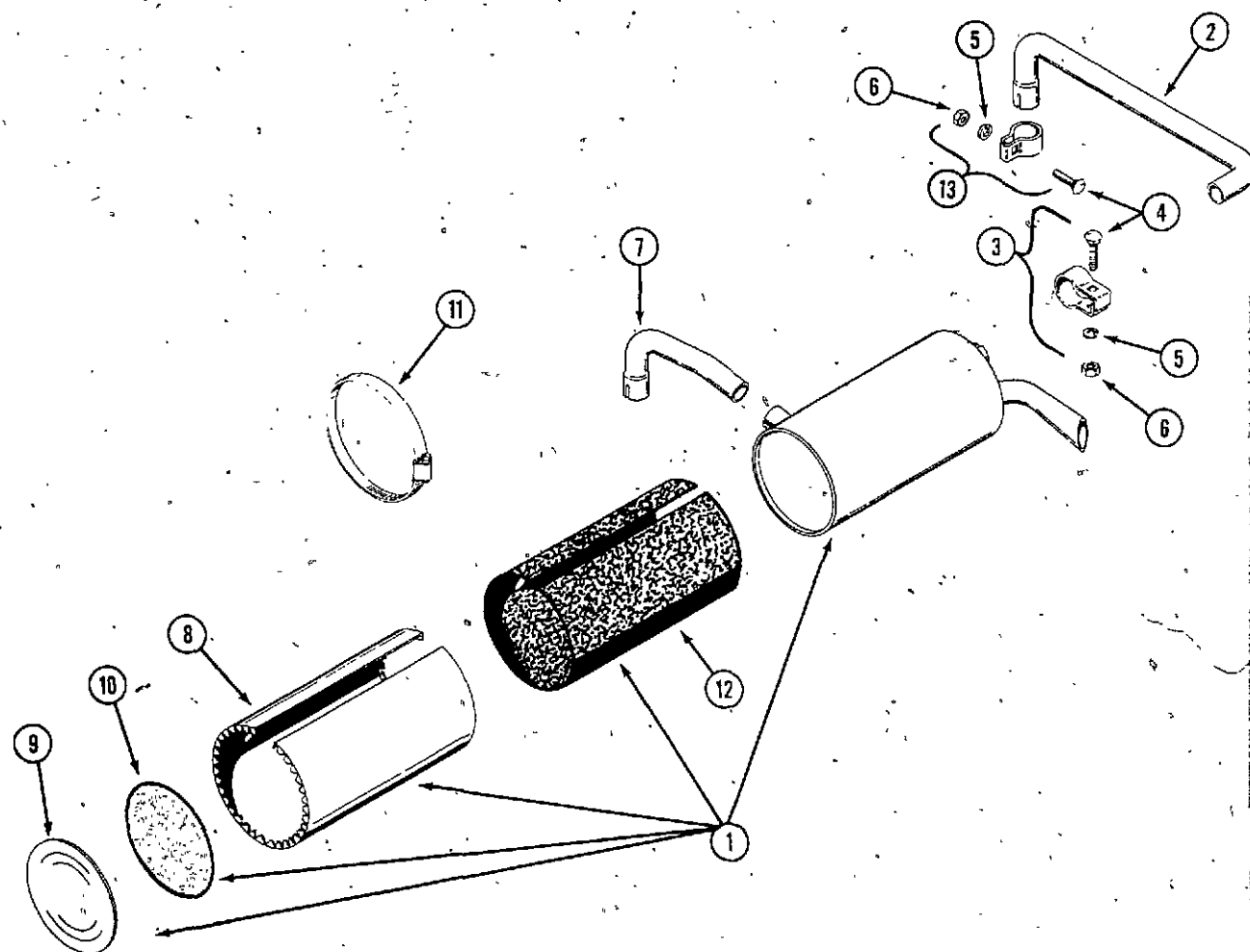


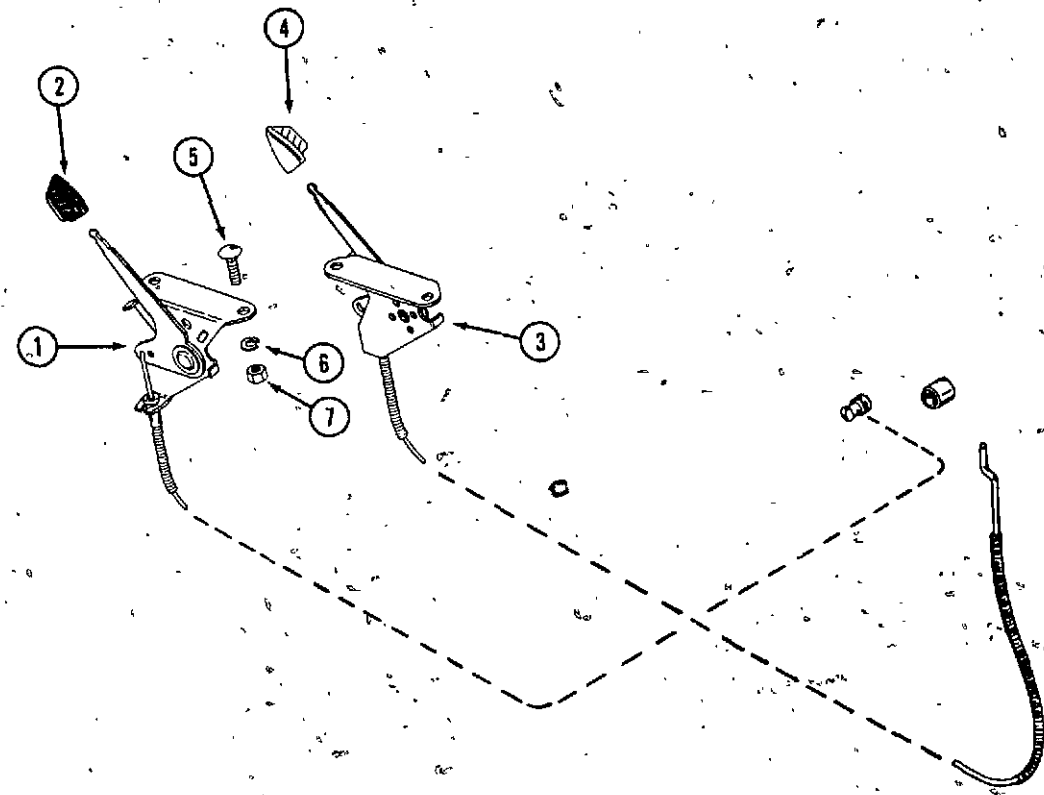
HEAT SHIELDS AND ENGINE BAFFLES

REF.	PART NO.	DESCRIPTION	REQ'D.
1	C 25489	SHIELD - exhaust pipe L.H.	1
2	C 25490	SHIELD - exhaust pipe R.H.	1
3	113- 1	BOLT - 1/4" - 20 x 1/2" hex	2
4	192- 19	LOCKWASHER - 1/4"	4
5	129- 101	NUT - 1/4" - 20 hex	4
6	C 25336	BAFFLE - cylinder L.H.	1
7	C 25337	BAFFLE - cylinder R.H.	1
8	113- 3	BOLT - 1/4" - 20 x 3/4" hex	2
9	C 23566	SUPPORT - pump mounting	1

EXHAUST SYSTEM

1	C 24703	MUFFLER ASSEMBLY - exhaust	1
2	C 22969	PIPE - engine exhaust L.H.	1
3	C 22725	CLAMP ASSEMBLY - muffler	2
4	111- 256	BOLT - 5/16" x 1-1/4" round head, square neck N.C.	1
5	192- 20	LOCKWASHER - 5/16"	1
6	129- 102	NUT - 5/16" N.C. hex	1
7	C 22970	PIPE - engine exhaust R.H.	1
8	C 24296	WRAPPER - muffler	1
9	C 23581	COVER - muffler end	1
10	C 23580	INSULATION - muffler end	1
11	214- 272	CLAMP - wrapper mounting	3
12	C 23686	INSULATION - muffler	1
13	C 20468	CLAMP ASSEMBLY - muffler (includes items 4, 5 and 6)	2



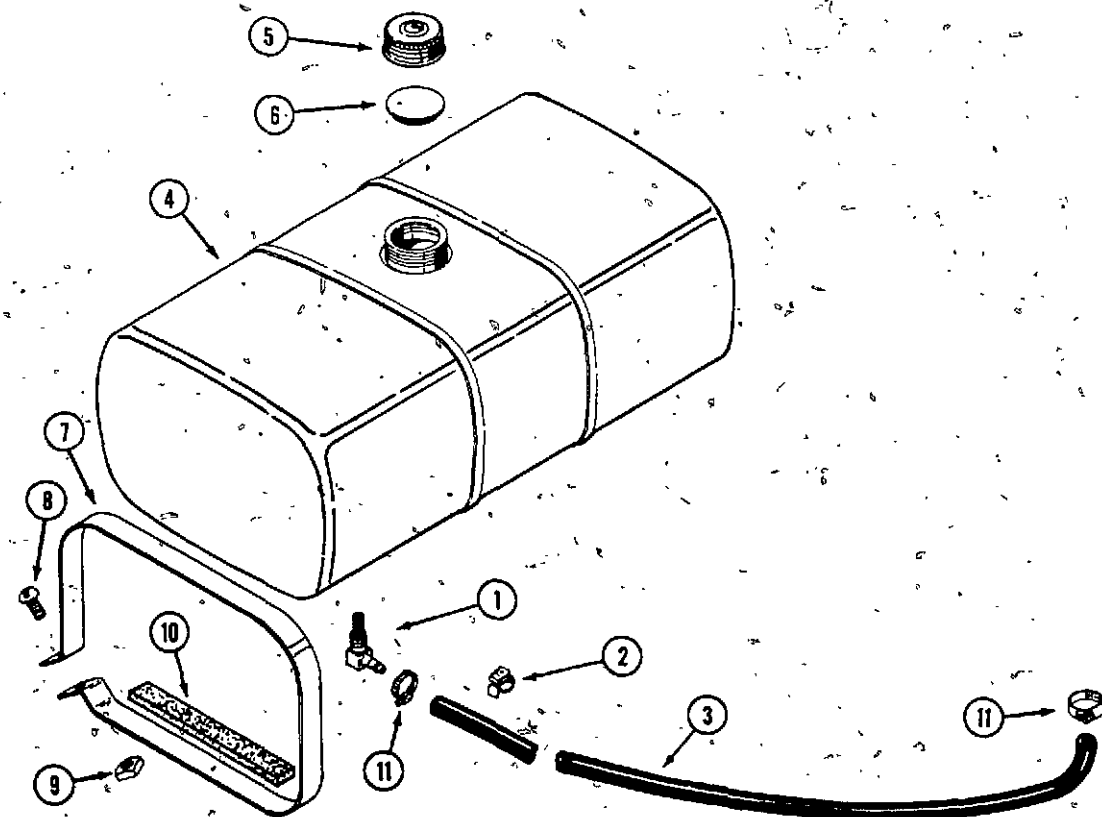


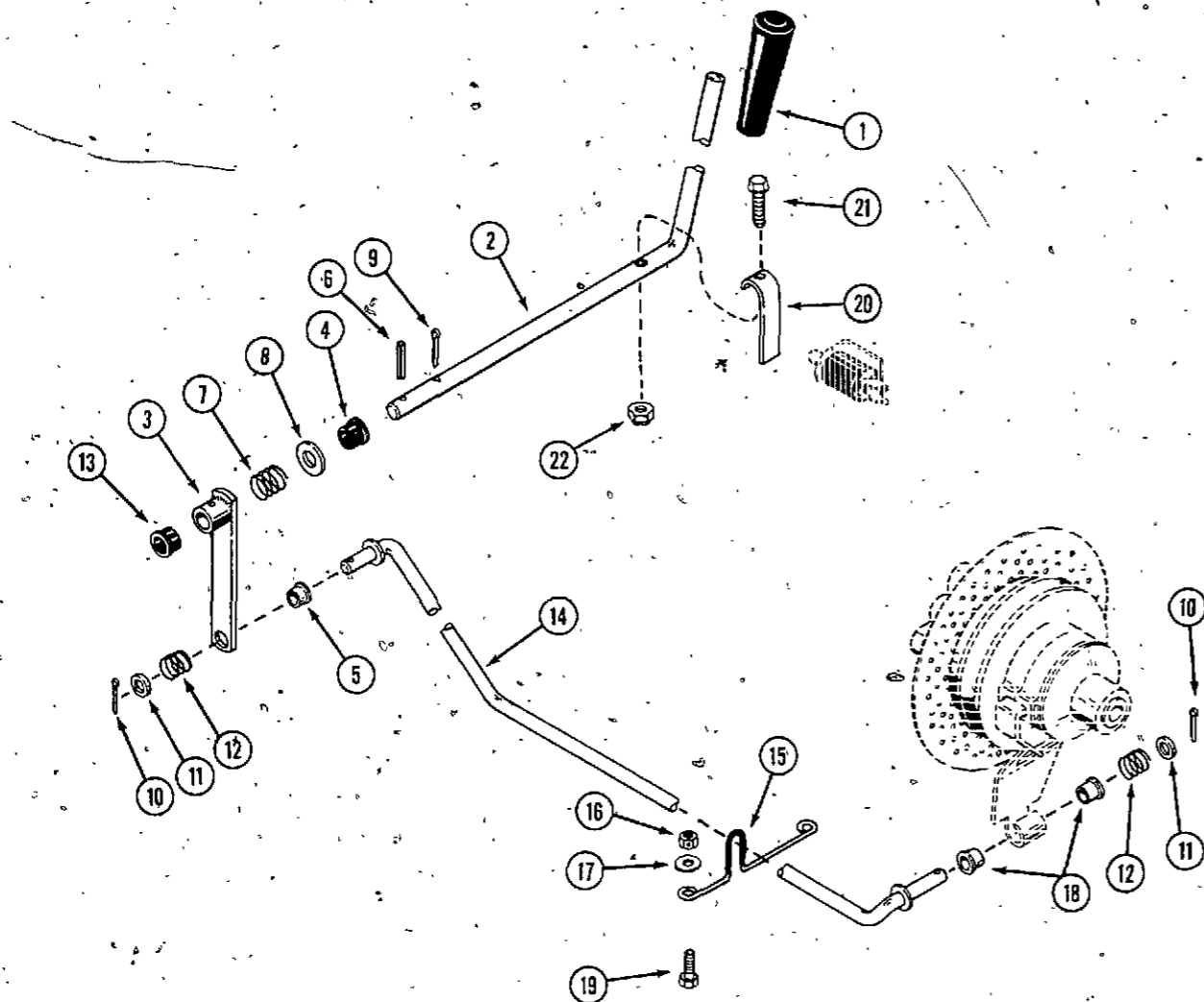
CHOKE AND THROTTLE

REF.	PART NO.	DESCRIPTION	REQ'D
1	C 16449	CONTROL - throttle	1
2	C 12224	HANDLE - throttle control, black	1
3	C 16448	CONTROL - choke	1
4	C 14506	HANDLE - choke control, white	1
5	111- 3	BOLT - #10 - 24 x 1/2" N.C. round head, square neck	2
6	192- 18	LOCKWASHER - #10 Std. plated	2
7	129- 17	NUT - #10-24 plated	2

FUEL SYSTEM

1	C 10657	ELBOW ASSEMBLY - fuel tank	1
2	A 62079	CLIP - fuel line	2
3	C 19238	HOSE - fuel line 43"	1
4	C 16363	TANK - fuel	1
5	C 11529	CAP - fuel tank (includes insert)	1
6	C 11545	INSERT - fuel cap	1
7	C 16796	STRAP - fuel tank mounting	2
8	173- 215	SCREW - 1/4" x 1/2" N.C. round head, machine, zinc plated	2
9	129- 504	NUT - square 1/4" N.C.	2
10	C 14690	CUSHION - fuel tank	2
11	214- 103	CLAMP - hose 1/2"	2



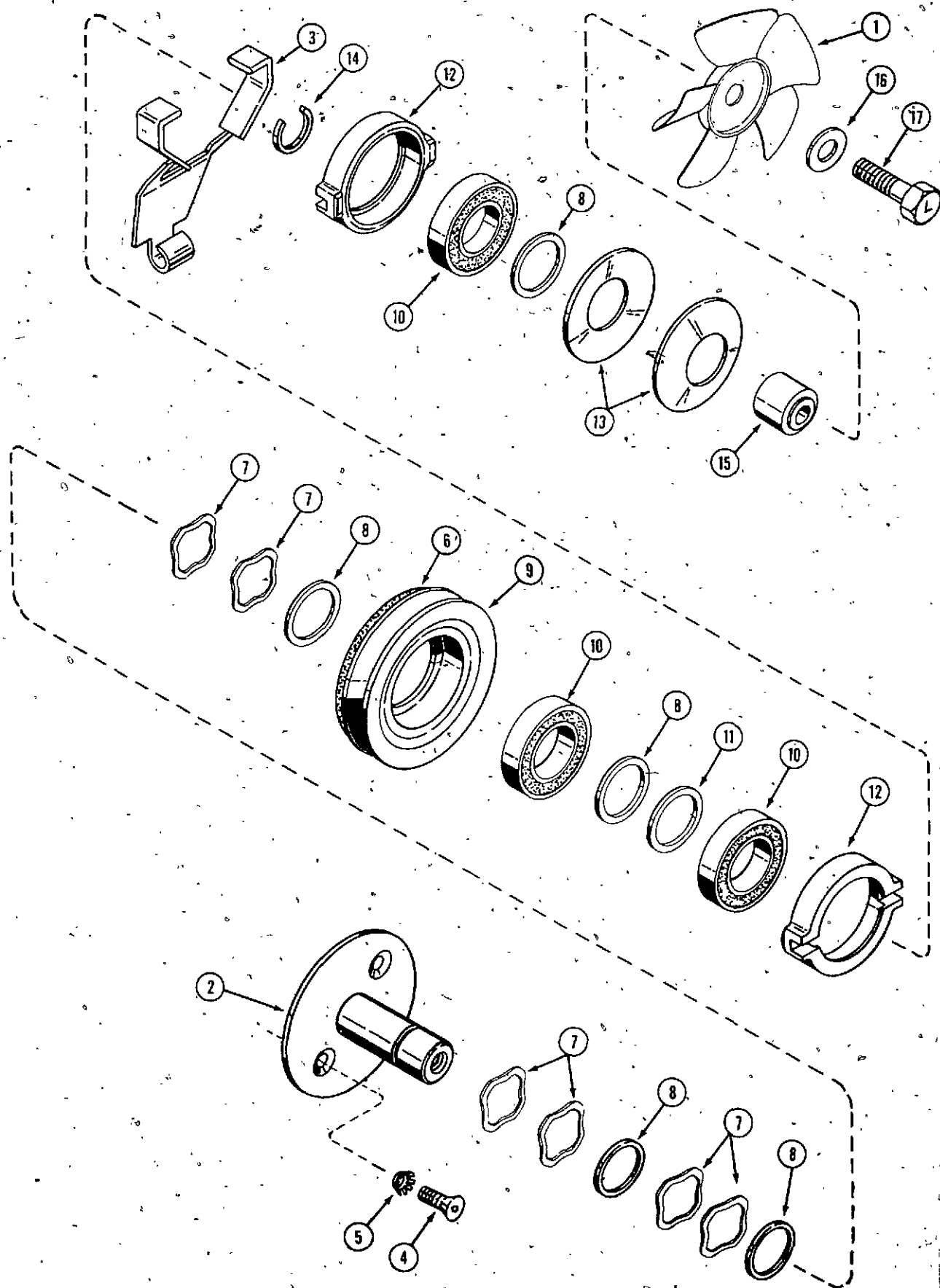


PTO CLUTCH LINKAGE

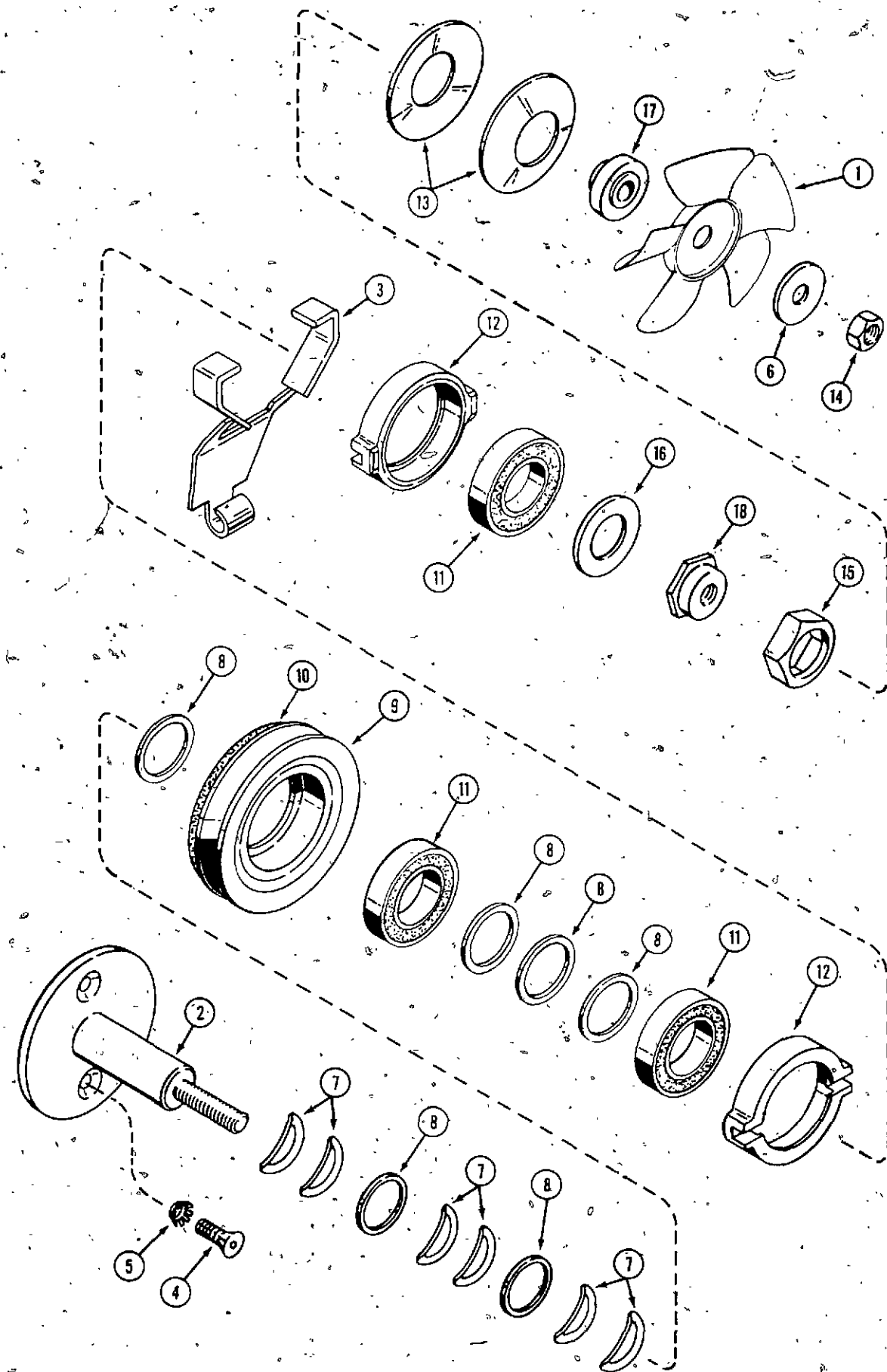
REF.	PART NO.	DESCRIPTION	REQ'D
1	A 37247	KNOB - lever, PTO	1
2	C 22998	LEVER - PTO engaging	1
3	C 22921	ARM ASSEMBLY - PTO	1
4	353- 462	BUSHING - lever, dash tower	1
5	C 20093	BUSHING - fliplock	1
6	138- 96	PIN - roll 3/16" x 1"	1
7	C 20036	SPRING - lever, PTO	1
8	A 39519	WASHER - nylon	1
9	132- 91	PIN - cotter 3/16" x 1"	1
10	132- 310	PIN - cotter 1/8" x 1"	2
11	C 14906	WASHER - nylon 3/8"	2
12	C 19867	SPRING - clutch rod	2
13	353- 442	BUSHING - heyco	1
14	C 20039	ROD - clutch	1
15	C 19767	GUIDE - clutch rod	1
16	131- 178	NUT - lock 3/8" N.C. hex	2
17	195- 104	WASHER - 3/8"	2
18	C 20053	BUSHING - nylon	2
19	113- 207	BOLT - 3/8" x 1" N.C. hex	2
20	C 23004	ACTUATOR - PTO switch	1
21	163- 24	BOLT - #10 - 24 x 1-1/4" hex washer head	1
22	131- 67	NUT - #10 - 24 lock	1

C19804 CLUTCH ASSEMBLY (PTO)

(See page 27B for service clutch)



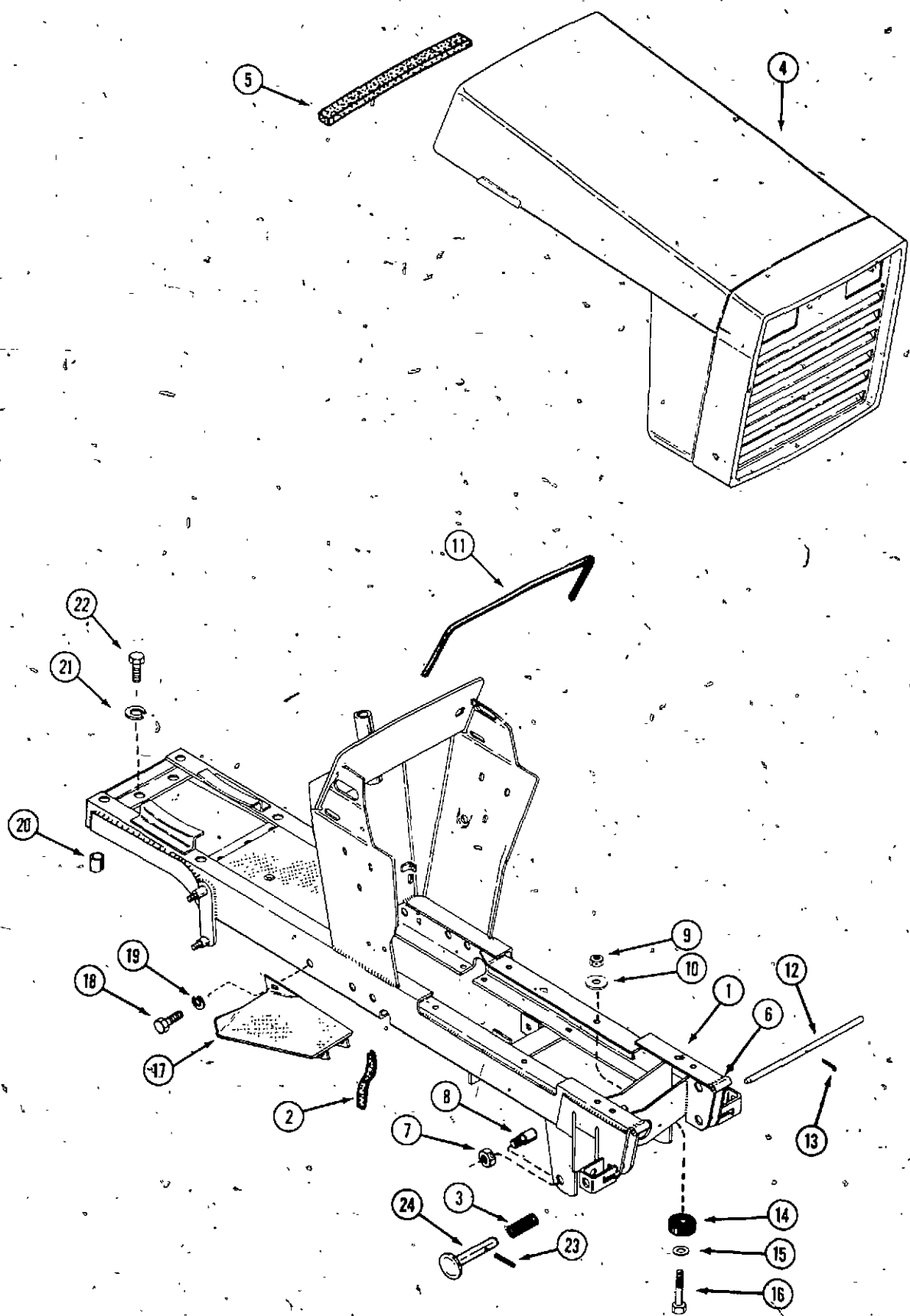
REF.	PART NO.	DESCRIPTION	REQ'D
	NSS	CLUTCH AND FAN ASSEMBLY (use C24783)	1
1	C 16616	FAN - cooling	1
2	C 18901	HUB - clutch	1
3	C 23392	ARM - engaging	1
4	164- .41	BOLT - 5/16" x 3/4" N.C. flat head socket	2
5	193- 76	LOCKWASHER - 5/16" countersunk external tooth	2
6	C 23740	KIT - disc, friction	1
7	C 15515	WASHER - spring	4
8	C 15557	WASHER - spacer .050"	UAR
9	C 22671	PULLEY ASSEMBLY - clutch (includes disc)	1
10	C 23245	BEARING - cam and pulley	3
11	C 15556	WASHER - spacer .010"	UAR
11	C 21596	WASHER - spacer .005"	UAR
12	C 23033	CAM - clutch	2
13	C 16786	SPRING - clutch load	2
14	F 59014	RING - retaining	1
15	C 18908	SPACER - hub	1
16	O 2815N	WASHER - fan 17/32"	1
17	C 18940	BOLT - 1/2" x 1-3/4" N.C. hex, L.H. threads	1



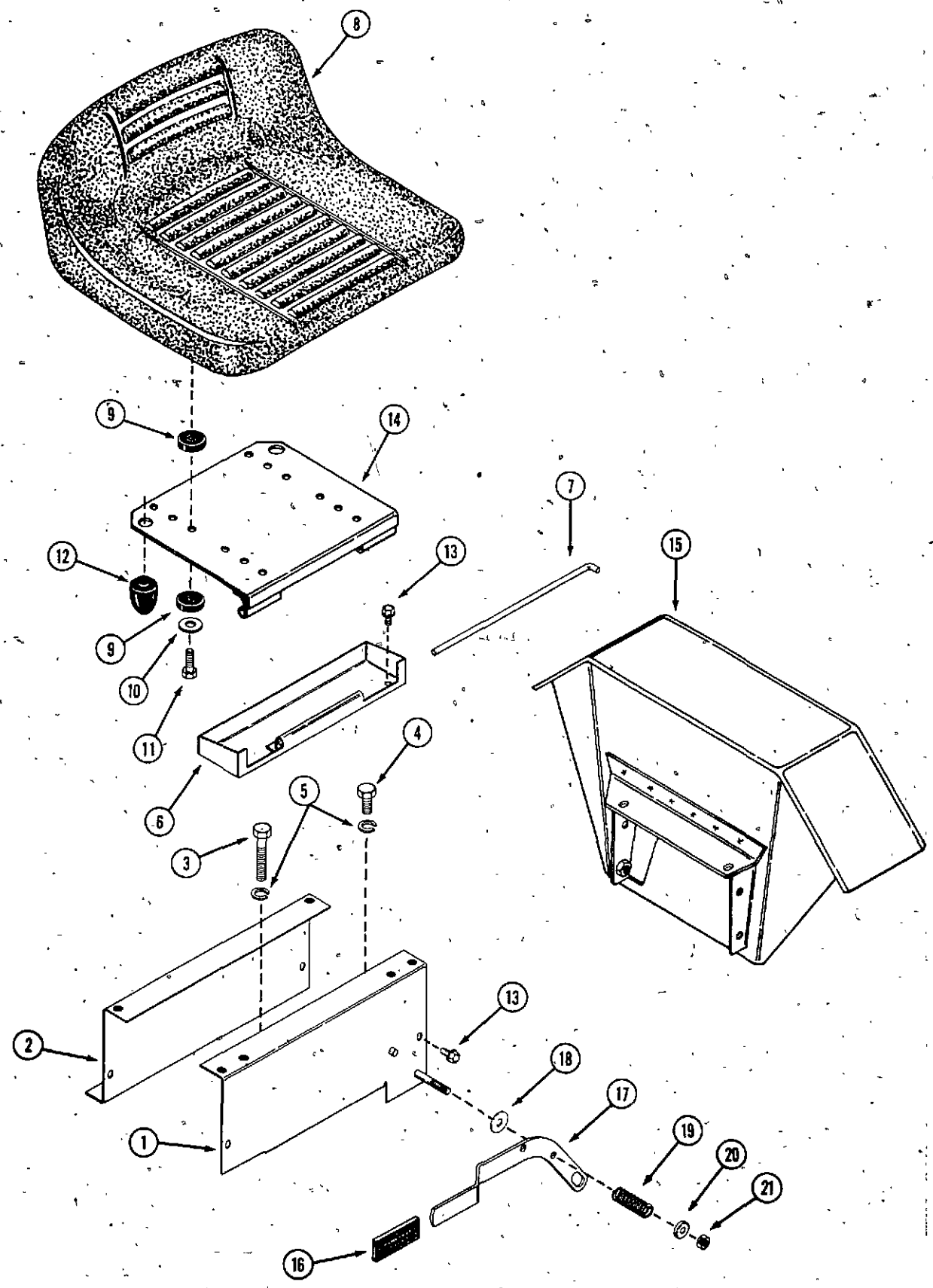
C24783 CLUTCH ASSEMBLY (PTO)
(For Service)

REF.	PART NO.	DESCRIPTION	REQ'D
	C 24783	CLUTCH AND FAN ASSEMBLY	1
1	C 16616	FAN - cooling	1
2	C 24741	HUB - clutch	1
3	C 23392	ARM - engaging	1
4	164- 41	SCREW - 5/16" - 18 x 1" flat head socket	2
5	193- 76	LOCKWASHER - 5/16" countersunk external tooth	2
6	O 2815N	WASHER - fan 17/32"	1
7	C 15515	WASHER - spring	6
8	C 15557	WASHER - spacer .050	6
9	C 22671	PULLEY AND DISC ASSEMBLY	1
10	C 23740	KIT - friction disc	1
11	C 23245	BEARING - ball	3
12	C 23033	CAM - clutch	2
13	C 16786	SPRING - clutch load	2
14	129- 125	NUT - 1/2" N.F.	1
15	C 23627	GUIDE - adjusting nut	1
16	C 23624	WASHER - spacer	1
17	C 23630	SPACER - hub	1
18	C 23625	NUT - adjust	1

HOOD, FRAME AND GRILLE

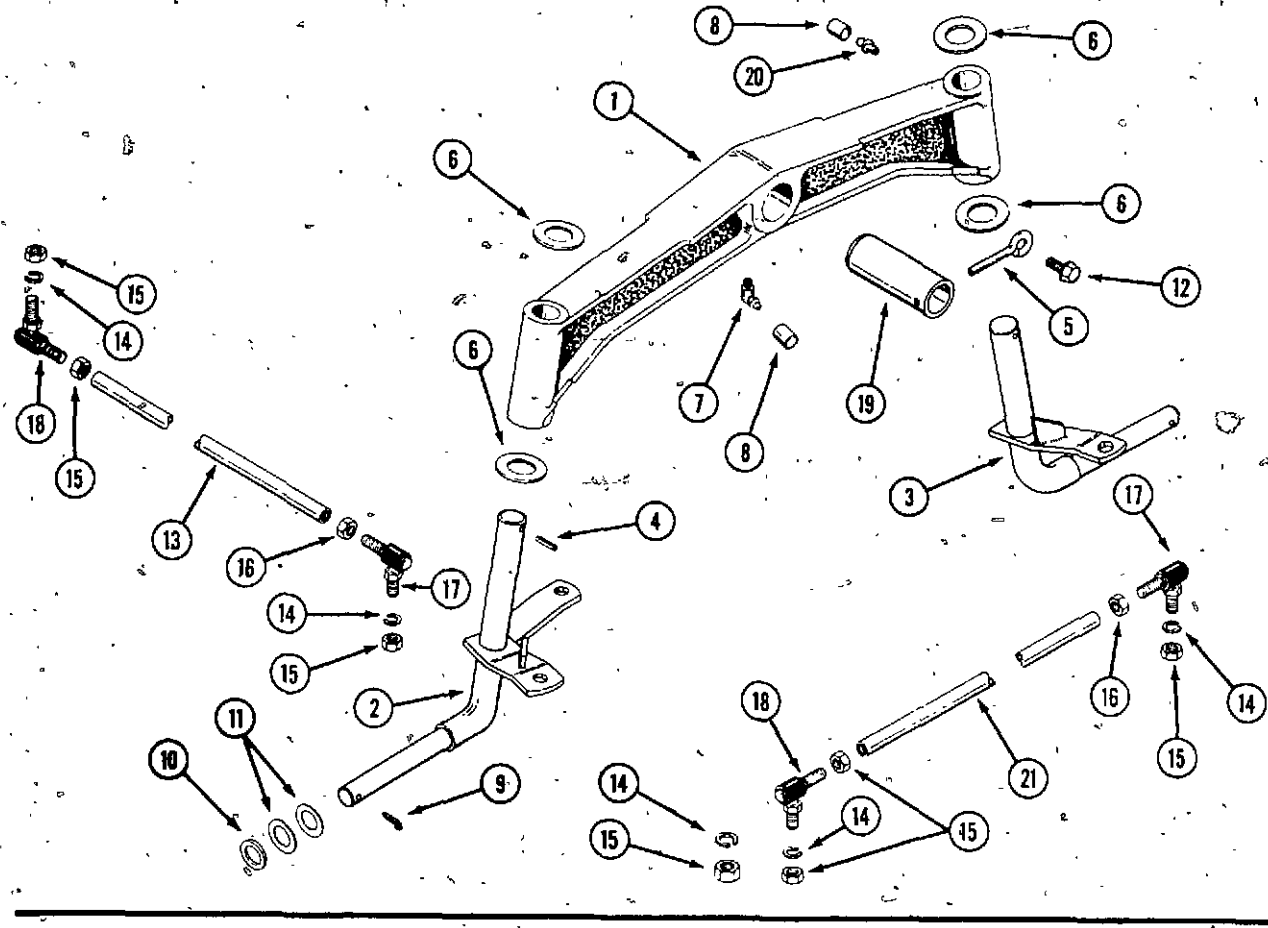


REF.	PART NO.	DESCRIPTION	REQ'D
1	C 24968	FRAME - main	1
2	C 21515	LINER - dash tower notch	1
3	C 24137	SPRING - latch	2
4	C 23573	HOOD AND GRILLE ASSEMBLY	1
5	C 23527	LINER - hood	1
6	C 22023	HINGE - frame	2
7	131- 1318	NUT - lock 1/2" N.F.	2
8	C 18733	PIN - attachment	2
9	131- 1181	NUT - lock 3/8" N.C.	4
10	195- 525	WASHER - plain 3/8" x 13/16" O.D. (over engine foot pad)	4
11	C 18153	CHANNEL - instrument panel liner	1
12	C 16362	ROD - hood hinge	1
13	132- 46	PIN - cotter 1/8" x 3/4"	1
14	C 15410	CUSHION - washer	4
15	195- 2029	WASHER - plain 3/8" x 1-1/4" O.D. (under cushion)	8
16	113- 219	BOLT - 3/8" x 2-1/4" N.C. hex	4
17	C 18890	PAD - foot L.H.	1
17	C 18150	PAD - foot R.H.	1
18	13- 514	BOLT - 5/16" x 7/8" N.C. hex	2
19	192- 20	LOCKWASHER - 5/16"	2
20	C 14729	SPACER - rear, frame	2
21	192- 23	LOCKWASHER - 1/2"	4
22	113- 424	BOLT - 1/2" N.C. hex, transaxle mtg.	4
23	138- 319	PIN - roll 3/16" x 1-1/4"	2
24	C 16373	PIN - latch	2



SEAT, FENDERS AND TOOL TRAY

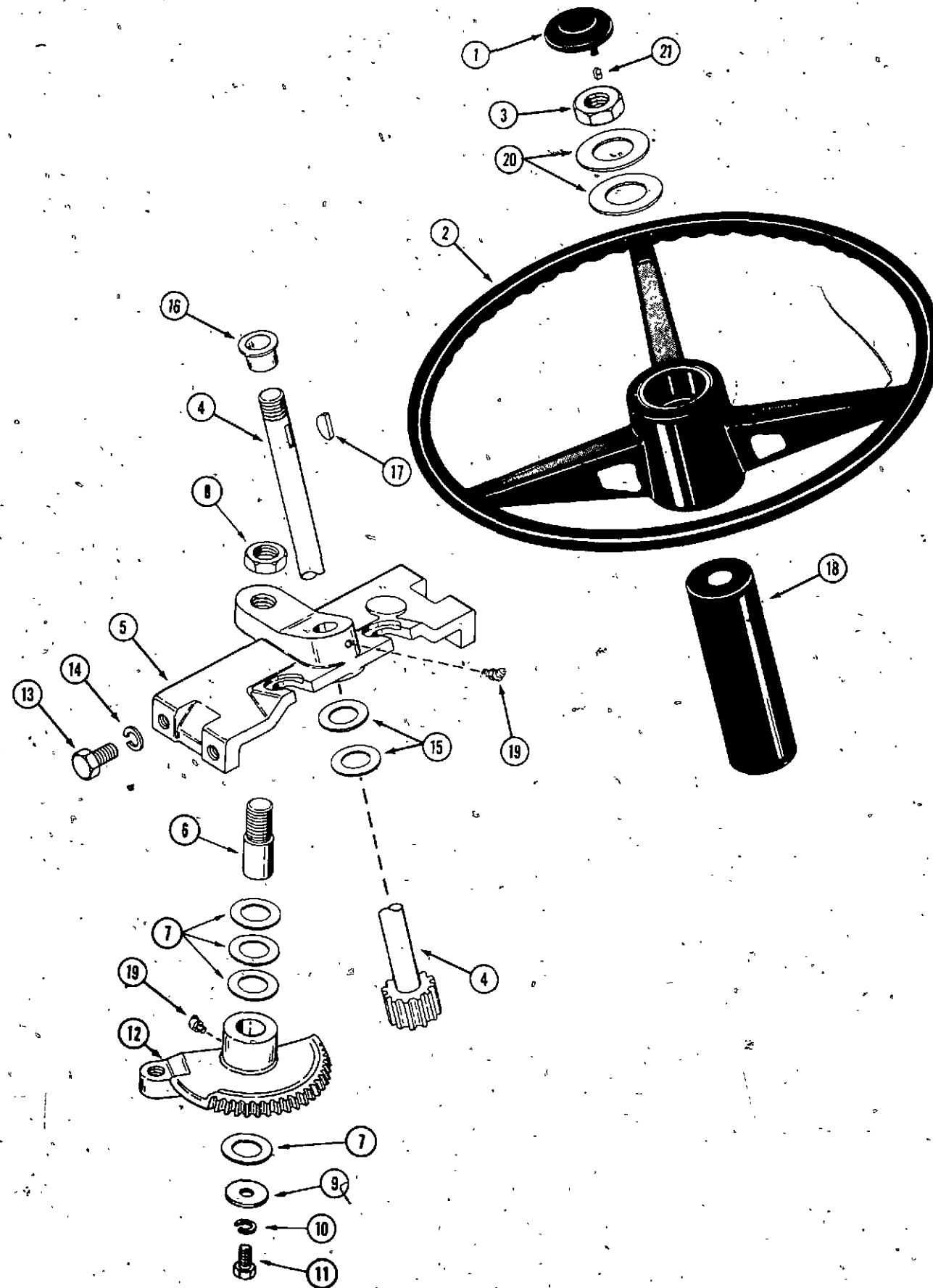
REF.	PART NO.	DESCRIPTION	REQ'D
1	C 16408	SUPPORT - seat, front	1
2	C 16404	SUPPORT - seat, rear	1
3	113- 441	BOLT - 1/2" x 2-1/4" N.C. hex	2
4	113- 424	BOLT - 1/2" x 1" N.C. hex	2
5	192- 23	LOCKWASHER - 1/2"	4
6	C 19417	TRAY - tool	1
7	C 16429	PIN - seat hinge	1
8	NSS	SEAT - (use C24318)	1
9	C 15410	CUSHION - rubber	8
10	195- 2021	WASHER - 5/16" x 1-1/4" OD, zinc plated	4
11	113- 122	BOLT - 5/16" x 1-1/2"	4
12	C 14534	BUMPER - seat	2
13	121- 106	BOLT - 5/16" x 1/2" flange whizlock	10
14	C 17152	HINGE ASSEMBLY - seat	2
15	C 16444	FENDER - L.H.	1
15	C 16445	FENDER - R.H.	1
16	C 14728	GRIP - shift lever	1
17	C 16393	LEVER - shift	1
18	195- 524	WASHER - 7/16" x 1-1/4" O.D.	1
19	C 17216	SPRING - shift lever	1
20	C 17066	WASHER - cupped	1
21	131- 178	NUT - lock 3/8" N.C. hex	1



FRONT AXLE

REF.	PART NO.	DESCRIPTION	REQ'D
1	C 18813	AXLE - front	1
2	C 18784	SPINDLE - right hand	1
3	C 18782	SPINDLE - left hand	1
4	138- 99	PIN - roll	2
5	C 22278	PIN - retaining, axle pivot	1
6	C 13716	WASHER - thrust	4
7	219- 404	FITTING - lube	3
8	C 13106	COVER - lube fitting	3
9	132- 311	PIN - cotter 5/32" x 1-1/4"	2
10	C 12975	WASHER - wheel spindle	2
11	A 30881	WASHER - wheel spacer	4
12	187- 1046	BOLT - 3/8" N.C. indented hex head	1
13	C 22992	KIT - drag link (includes items 15 and 16)	1
14	192- 23	LOCKWASHER - 1/2" zinc plated	3
15	129- 165	NUT - 1/2" jam N.F. R.H. thread	6
16	129- 365	NUT - 1/2" jam N.F. L.H. thread	2
17	C 21527	BALL JOINT - 1/2" L.H.	2
18	C 21526	BALL JOINT - 1/2" R.H.	2
19	C 22568	PIN - axle pivot	1
20	219- 17	FITTING - lube	2
21	C 21529	TIE ROD	1

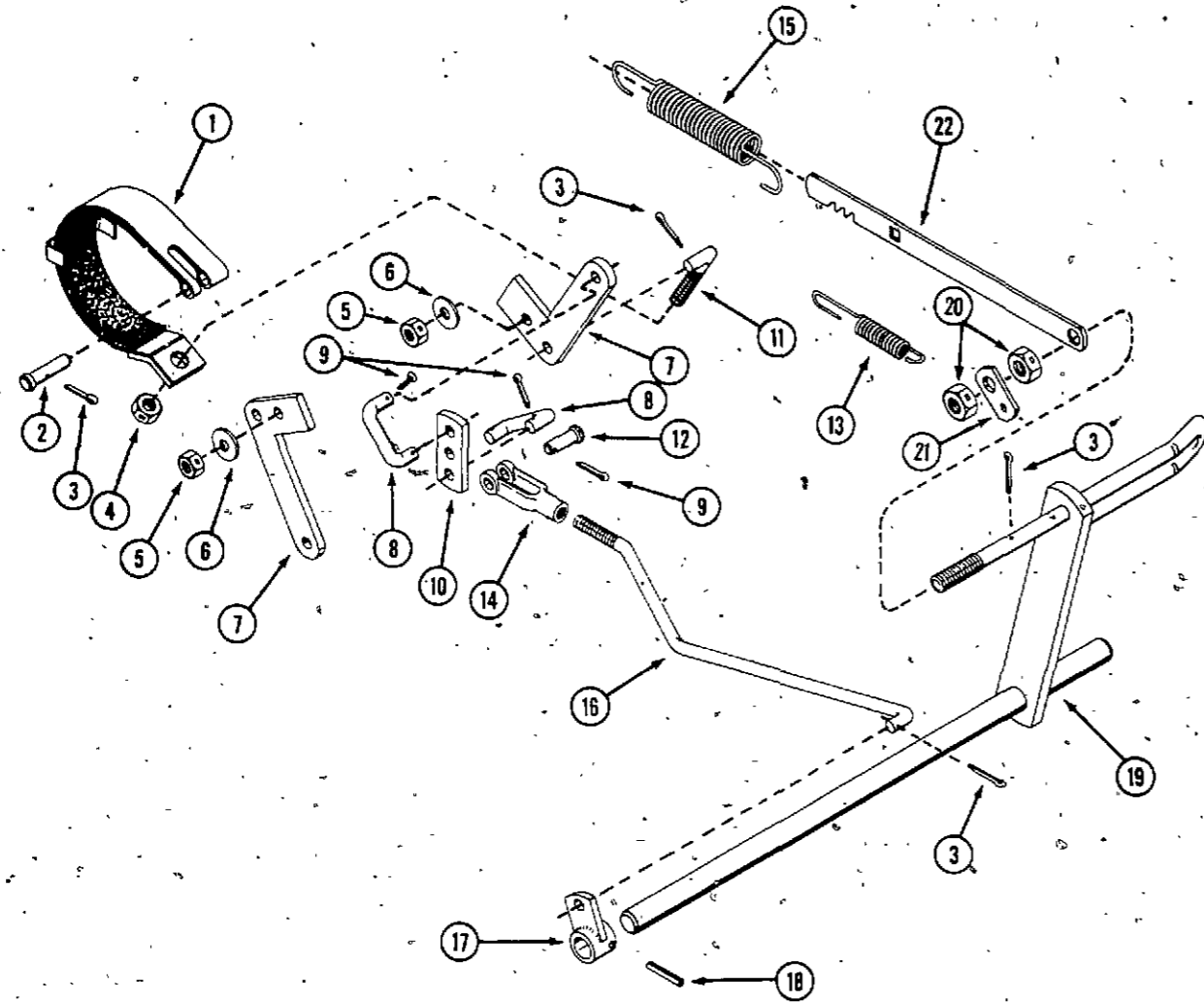
STEERING GEAR



REF.	PART NO.	DESCRIPTION	REQ'D
1	C 16945	CAP - steering wheel	1
2	C 18014	WHEEL - steering	1
3	131- 1113	NUT - lock 5/8"	1
4	C 16200	SHAFT - steering	1
5	C 18992	SUPPORT - steering gear	1
6	C 14200	PIN - pivot	1
7	C 14201	WASHER - shim	4
8	131- 1112	NUT - jam 3/4"	1
9	195- 2021	WASHER	1
10	192- 20	LOCKWASHER - 5/16" zinc plated	1
11	113- 102	BOLT - 5/16" x 3/4" N.C. hex	1
12	C 18711	GEAR - steering	1
13	113- 206	BOLT - 3/8" x 3/4" N.C. hex	4
14	192- 21	LOCKWASHER - 3/8"	4
15	195- 2069	WASHER - 5/8" zinc plated	2
16	C 15096	BUSHING - flanged nylon	1
17	126- 16	KEY - Woodruff 3/16" x 3/4"	1
18	C 24098	TUBE - steering	1
19	219- 404	FITTING - lube 45°	2
20	C 12975	WASHER - 5/8"	2
21	C 18017	CLIP - tinnerman, steering wheel	2
	C 13106	COVER - lube fitting	2

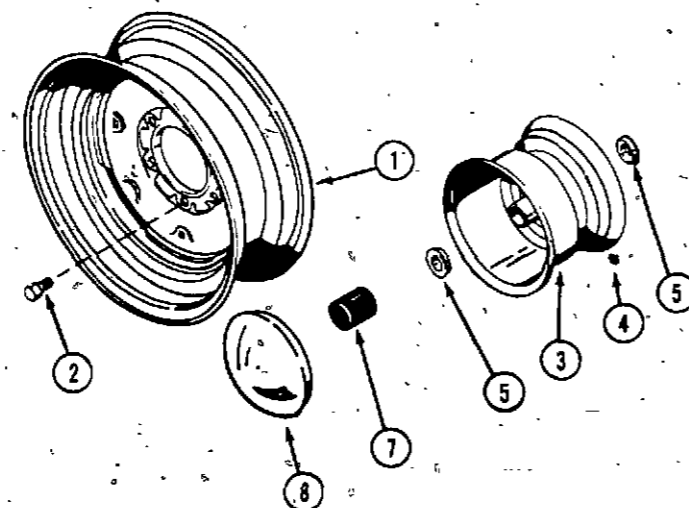
CASE MODEL 446 COMPACT TRACTOR

BRAKE ASSEMBLY



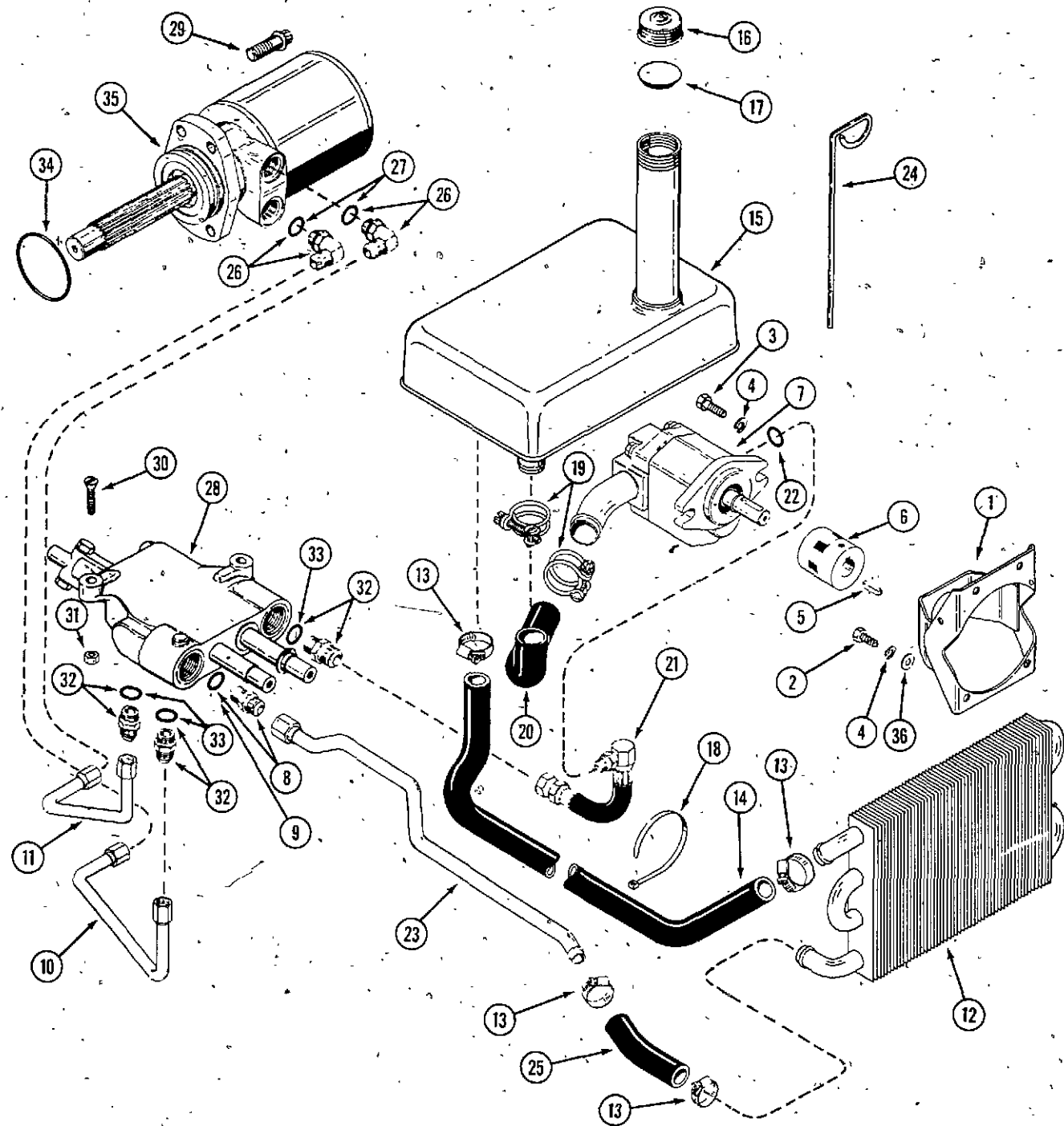
REF.	PART NO.	DESCRIPTION	REQ'D
1	C 19250	BAND - brake	1
2	C 13526	PIN - clevis	1
3	132- 310	PIN - cotter 1/8" x 1"	3
4	131- 1129	NUT - lock 7/16" hex N.C.	1
5	131- 1181	NUT - lock 3/8" hex N.C.	2
6	195- 104	WASHER - 3/8" flat	2
7	C 19063	ARM - brake	2
8	C 19064	LINK - brake	2
9	132- 321	PIN - cotter 3/32" x 1"	6
10	C 19179	LINK - brake	1
11	C 19251	LINK - brake band	1
12	141- 4	PIN - clevis	1
13	C 25022	SPRING - return	1
14	213- 4	CLEVIS	1
15	C 16379	SPRING - brake lock	1
16	C 24096	ROD - brake	1
17	C 19183	ARM - brake rod	1
18	138- 319	PIN - roll 3/16" x 1-1/4"	1
19	C 22316	PEDAL - brake assembly	1
20	131- 164	NUT - centerlock jam	2
21	C 16164	TAB - lift control	1
22	C 18147	LEVER - brake lock	1

FRONT AND REAR WHEELS

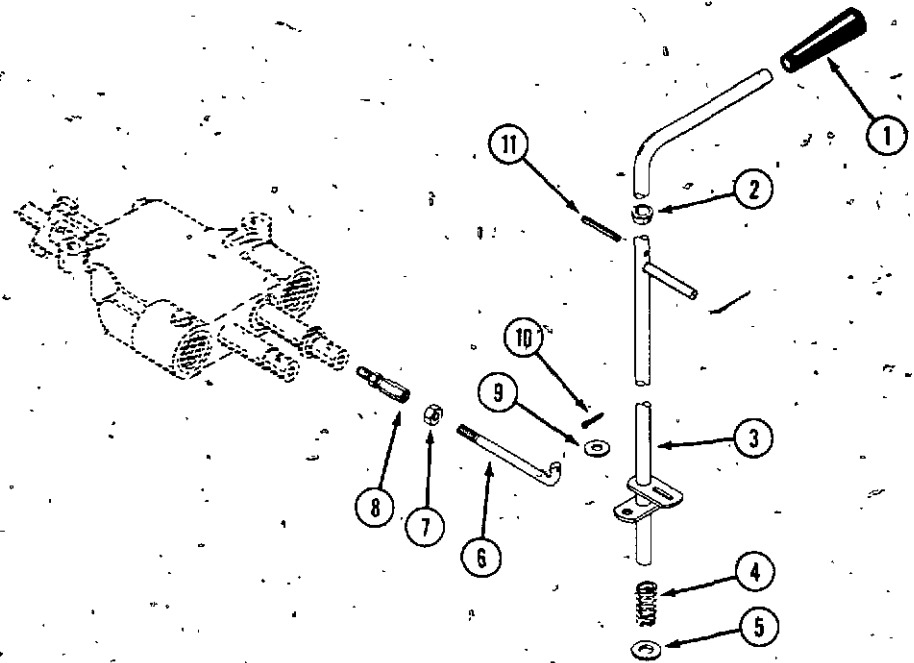


1	C 24438	WHEEL - rear, 6 bolt	2
2	A 30064	BOLT - rear wheel	12
3	C 24433	WHEEL - front	2
4	219- 403	FITTING - lube	2
5	C 12110	BEARING - wheel, inner	2
7	C 12370	CAP - plastic, front	2
8	A 70062	CAP - hub, front wheel (optional)	2
	C 13106	COVER - lube fitting	2

HYDRAULIC SYSTEM



REF.	PART NO.	DESCRIPTION	REQ'D
1	C 23566	SUPPORT - pump mounting	1
2	113- 206	BOLT - 3/8" x 3/4" N.C. hex, support mounting	4
3	113- 207	BOLT - 3/8" x 1" N.C. hex, pump mounting	2
4	192- 21	LOCKWASHER - 3/8" zinc plated	6
5	T 33565	KEY - square 1/4" x 1" (engine shaft)	1
6	C 25209	COUPLING - pump, 9/16" shaft (See page 43)	1
7	NSS	PUMP - hyd. 9/16" shaft (repairs page 43) (order C25053)	1
8	C 17236	FITTINGS - hyd. 3/4" x 7/8" "O" Ring	1
9	218- 5007	"O" RING - 5/8" (for C17236 fitting)	1
10	C 16687	TUBE - valve to lower motor port	1
11	C 17898	TUBE - valve to upper motor port	1
12	C 22769	EXCHANGER - heat	1
13	214- 9	CLAMP - hose	4
14	C 22902	HOSE - rubber, tank to heat exchanger	1
15	C 22808	RESERVOIR - hydraulic oil	1
16	C 11529	CAP - reservoir (includes insert)	1
17	C 11545	INSERT - reservoir cap	1
18	C 22947	TIE - hose clamp	2
19	C 23326	CLAMP - hose	2
20	C 24903	HOSE - rubber, tank to pump	1
21	C 18797	HOSE - hydraulic, pump to valve	1
22	218- 5006	"O" RING - 1/2" (for C18797)	1
23	C 19191	TUBE - valve to heat exchanger	1
24	C 23189	DIPSTICK - oil, hydraulic reservoir	1
25	C 14619	HOSE - rubber, 4"	1
26	218- 5107	FITTING - motor port, 90° elbow, "O" Ring	2
27	218- 5007	"O" RING - 5/8" (for 218-5107 fitting)	2
28	C 21496	VALVE - hydraulic control, two spool (repairs page 45)	1
29	166- 86	SCREW - 1/2" x 1-1/4" N.C. flanged 12 pt.	4
30	171- 247	SCREW - 5/16" x 1-1/4" N.C. flat hd. machine	2
31	-131- 351	NUT - lock 5/16" N.C. hex	2
32	218- 5062	FITTING - hydraulic valve 5/8" x 7/8" "O" Ring	3
33	218- 5007	"O" RING - 5/8" (for C18321)	3
34	A 30095	SEAL - motor to transmission	1
35	C 14655	MOTOR - hydraulic (repairs page 41)	1
36	195- 104	WASHER - 3/8"	4

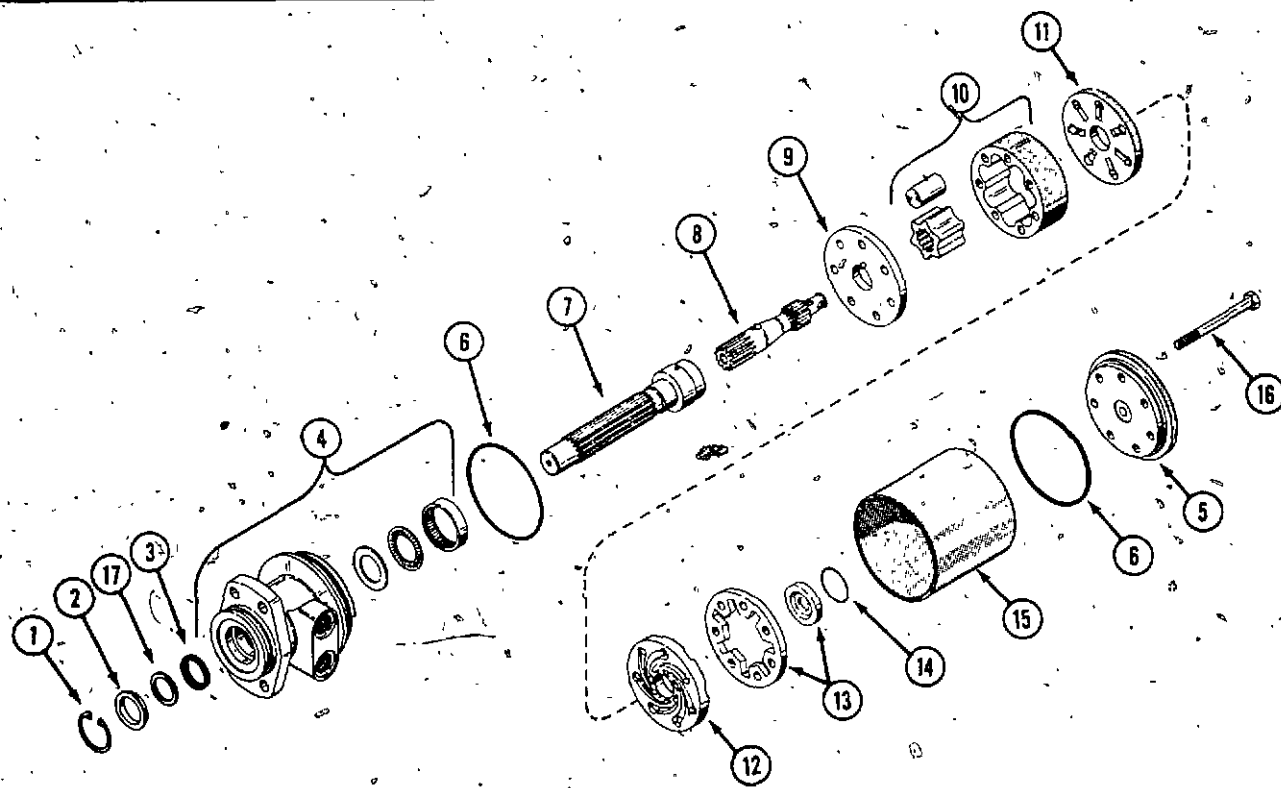


SPEED CONTROL

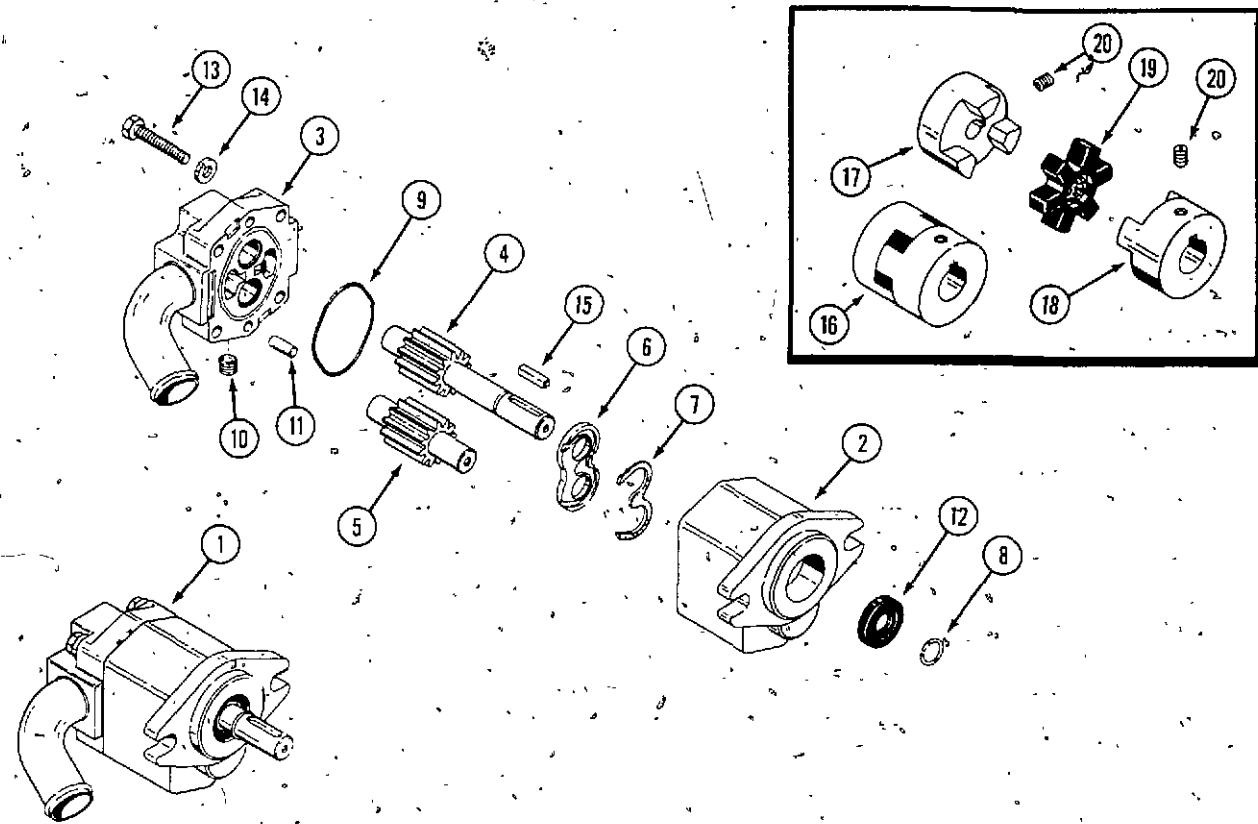
REF.	PART NO.	DESCRIPTION	REQ'D
1	A 37247	KNOB - speed control	1
2	C 12093	BUSHING - lever	1
3	C 24819	LEVER - speed control	1
4	C 17612	SPRING - compression	1
5	C 21518	WASHER - nylon	1
6	C 18742	ROD - control	1
7	129- 122	NUT - 5/16" N.F. hex, zinc plated	1
8	C 19025	JOINT - ball	1
9	195- 521	WASHER - 5/16"	1
10	132- 320	PIN - cotter 3/32" x 3/4"	1
11	138- 323	PIN - roll 1/8" x 1-3/4"	1

HYDRAULIC DRIVE MOTOR

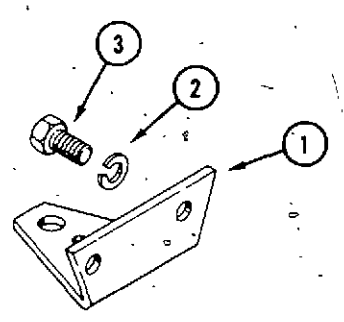
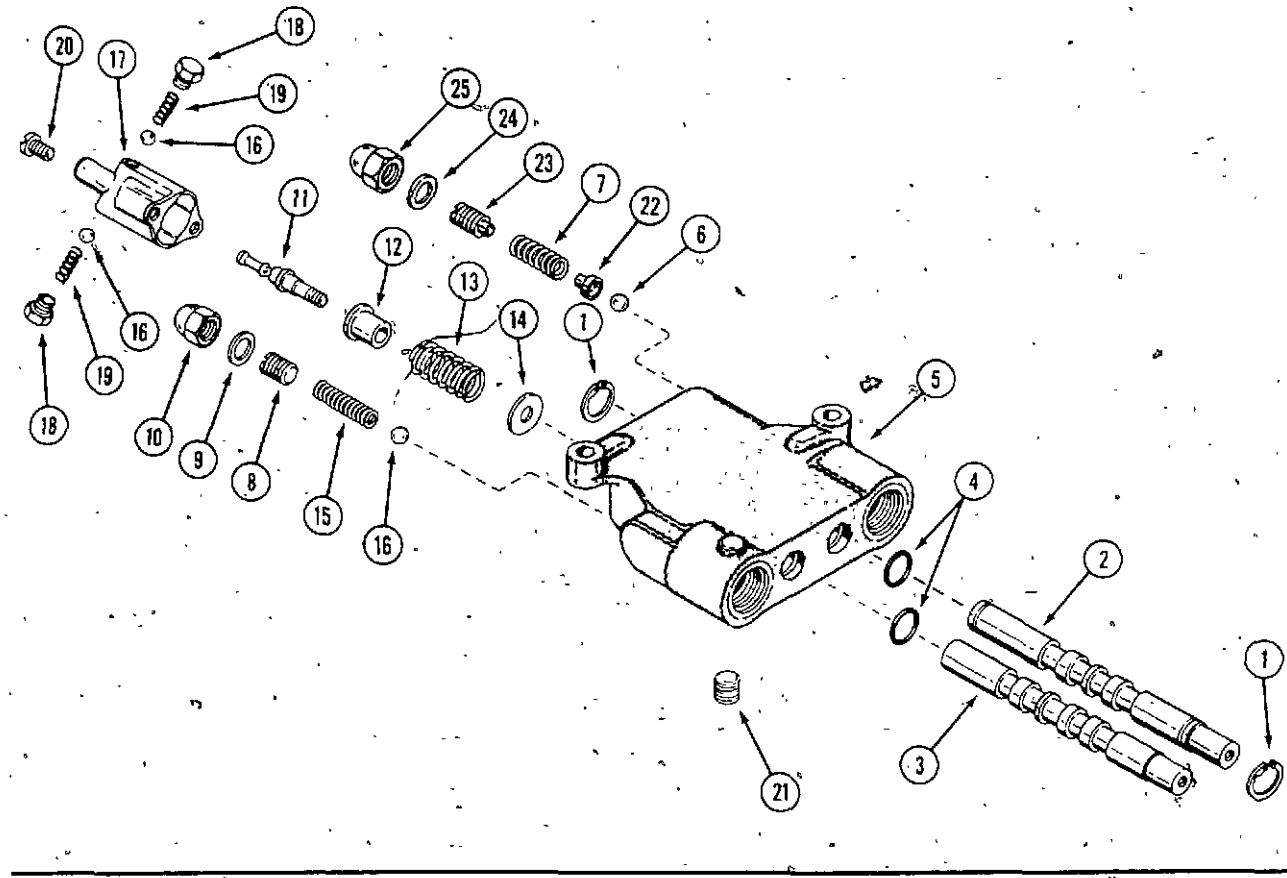
1	C 14655	MOTOR - hydraulic	1
2	C 16516	RING - retaining	1
3	NSS	SPACER - (See kit below)	1
4	C 14827	SEAL - oil (See kit below)	1
5	C 14837	HOUSING ASSEMBLY	1
6	NSS	END CAP	1
7	C 14828	SEAL - (See kit below)	2
8	C 14829	SHAFT - coupling	1
9	C 14830	DRIVE LINK	1
10	C 14831	PLATE - wear	1
11	C 14832	ROTOR ASSEMBLY	1
12	C 24731	KIT - manifold (used motor code 127-7 and after)	1
13	C 14832	PLATE - manifold (used prior to motor code 127-7)	1
14	D 59700	MANIFOLD - (used prior to motor code 127-7)	1
15	D 60857	COMMUTATOR AND RING SET - (used prior to motor code 127-7)	1
16	C 24734	COMMUTATOR AND RING SET - (use motor code 127-7 and after)	1
17	NSS	RING - sealing (See kit below)	1
	C 14836	SLEEVE	1
	C 14838	BOLT - 3/8" x 4-3/8" N.F. hex.	7
	NSS	WASHER - back up, .010" (see kit below)	1
	C 19037	KIT - "O" ring and seal	1
	NSS	RING - sealing	1
	NSS	SEAL - dirt (not used - throw away item)	1
	NSS	SEAL	2
	NSS	SEAL	1
	NSS	RING - retaining	1
	NSS	SPACER - seal	1
	NSS	WASHER - back up, .010"	1



C19743 HYDRAULIC PUMP AND COUPLING



REF.	PART NO.	DESCRIPTION	REQ'D
1	NSS	PUMP - hydraulic (9/16" shaft) (order C25053)	1
2	C 20456	BODY - pump	1
3	C 20457	COVER ASSEMBLY - pump	1
4	C 20460	GEAR - pump, drive	1
5	C 20461	GEAR - pump, driven	1
6	C 20462	PLATE - wear	1
7	NSS	SEAL AND RETAINER - wear plate (order C24334 Kit)	1
8	A 35690	RING - retaining	1
9	NSS	SEAL - "O"-Ring (order C24334 Kit)	1
10	22-1- 849	PLUG - pipe	1
11	D 58188	PIN - dowel	1
12	NSS	SEAL - shaft (order C24334 Kit)	1
13	13- 424	BOLT - 1/4" x 1-1/2" N.C. hex	4
14	D 58189	WASHER - 1/4"	4
15	C 20455	KEY - square 3/16"	1
16	C 25209	COUPLING - shaft	1
17	NSS	HUB - coupling (order item 16)	1
18	NSS	HUB - coupling (order item 16)	1
19	C 15036	SPIDER - rubber	1
20	83- 55	SET SCREW - 5/16" x 5/16" N.C. socket head	2
	C 24334	KIT - seal (includes items 7, 9 and 12)	1

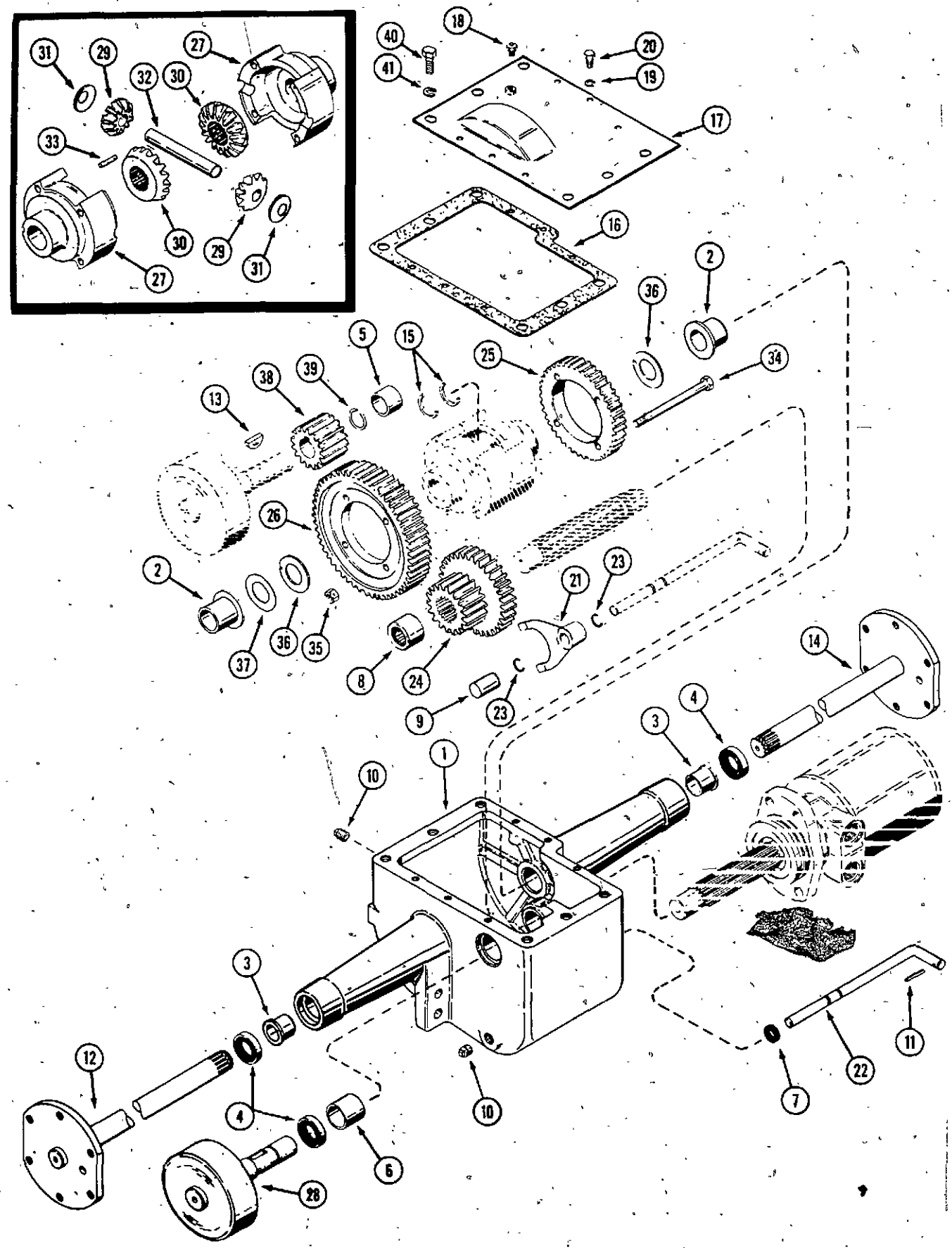


HYDRAULIC CONTROL VALVE (TWO SPOOL)

REF.	PART NO.	DESCRIPTION	REQ'D
	C 21496	VALVE - control, two spool.	1
1	A 60273	RING - retaining	2
2	NSS	SPOOL - motor (Order C21496)	1
3	NSS	SPOOL - float (Order C21496)	1
4	A 7982	SEAL - spool	4
5	NSS	BODY - valve (Order C21496)	1
6	211- 9	BALL - steel 5/16"	1
7	C 21507	SPRING - relief	2
8	C 17433	SCREW - relief adjust	1
9	C 17435	GASKET - relief adjust cap.	1
10	129- 531	CAP - adjust screw	2
11	C 17439	DETENT - spool	1
12	C 13200	SPACER - detent	1
13	C 18850	SPRING - detent return	1
14	C 17440	WASHER - return	1
15	C 21505	SPRING - relief	1
16	211- 7	BALL - steel 1/4"	3
17	C 17438	COVER - detent	1
18	C 17443	SCREW - detent	2
19	C 17444	SPRING - detent	2
20	169- 114	SCREW - cover	2
21	221- 841	PLUG - pipe	1
22	C 21506	RETAINER - ball seat	1
23	C 21509	SCREW - adjust, relief	1
24	C 21508	GASKET - adjust cap	1
25	C 21510	CAP - adjust screw	1
	C 21504	KIT - relief (includes items 6, 7, 22, 23, 24 and 25)	1
	C 21511	KIT - relief (includes items 8, 9, 10, 15 and 16)	1
	C 18851	KIT - detent (includes items 11, 12, 13, 14, 16, 17, 18, 19 and 20)	1

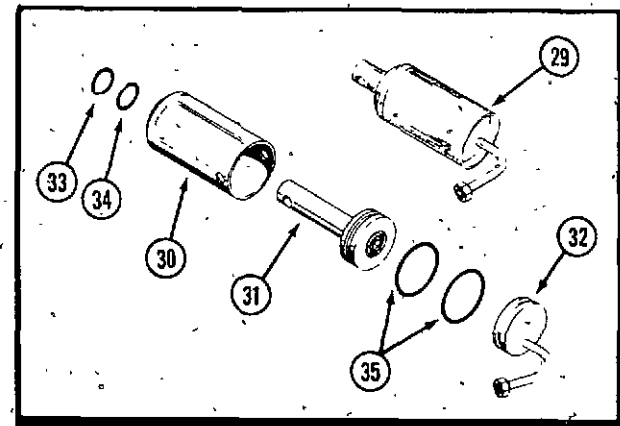
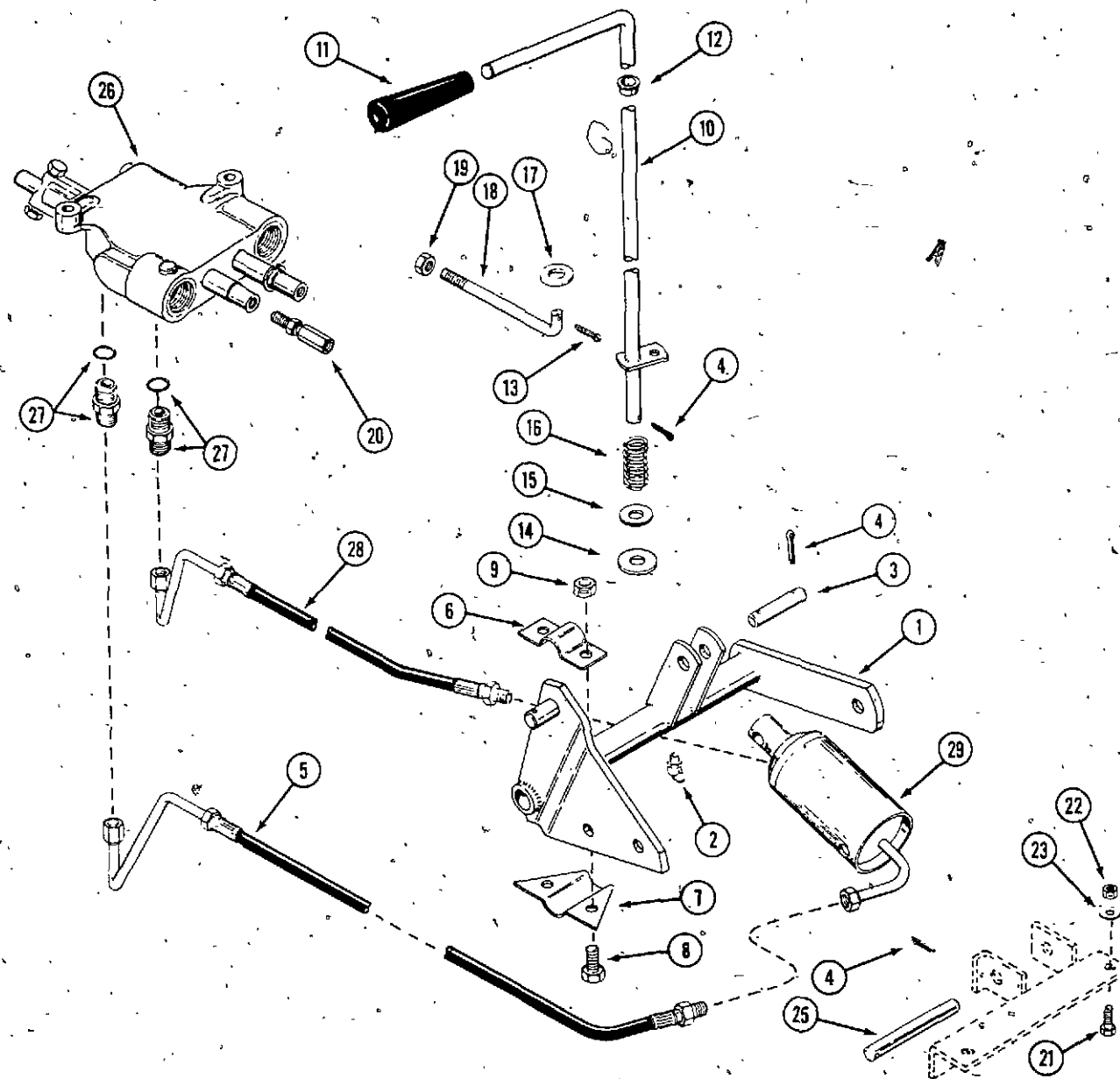
DRAWBAR AND TOW HITCH

1	C 13360	DRAWBAR	1
2	192- 23	LOCKWASHER - 1/2" ZP	2
3	113- 424	BOLT - 1/2" x 1" N.C. hex ZP	2



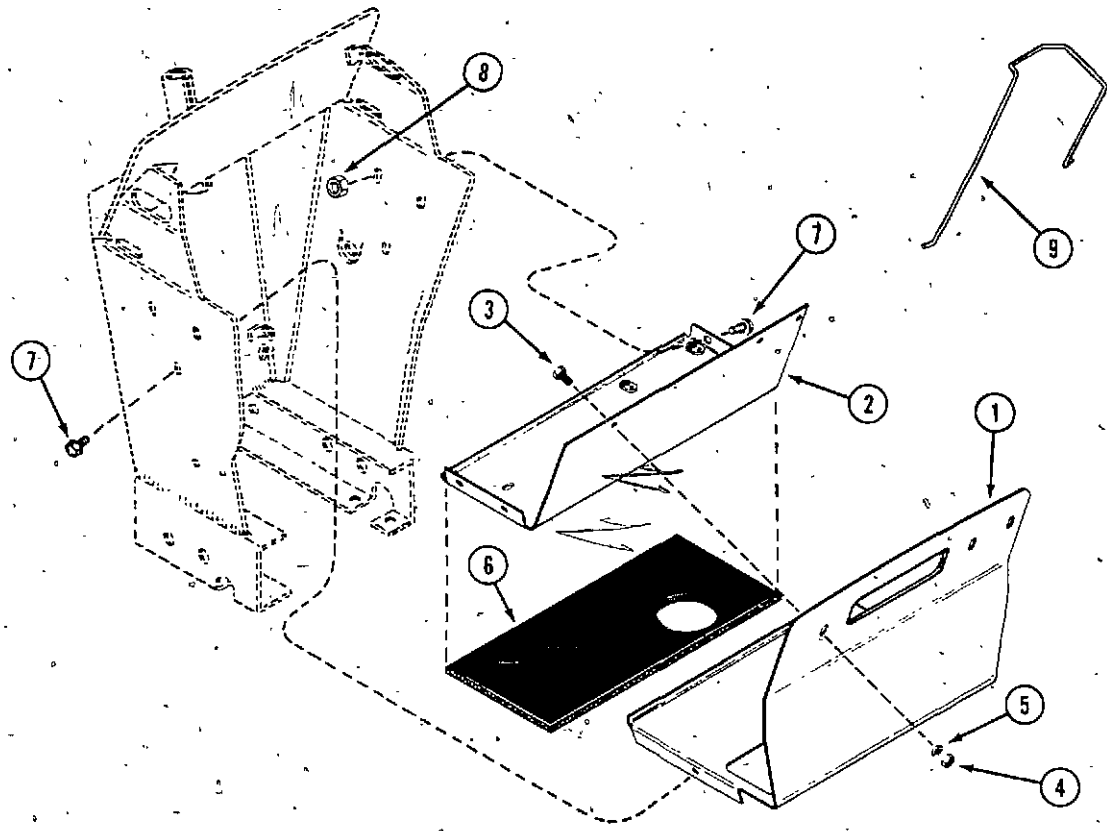
TRANSMISSION AND FINAL DRIVE

REF.	PART NO.	DESCRIPTION	REQ'D
	C 24843	CASE ASSEMBLY - transmission (used S/N 9755072 and after)	1
1	NSS	CASE - transmission (used prior to S/N 9755072)(order C24843 assembly and C24802 rod)	1
1	NSS	CASE - transmission (used S/N 9755072 and after)(order C24843 assembly)	1
2	C 12713	BEARING - flanged	2
3	C 16744	BEARING - flanged (used prior to S/N 9755072)	2
3	C 24804	BEARING - flanged (used S/N 9755072 and after)	2
4	C 24803	SEAL - shaft (used S/N 9755072 and after)	3
4	D 31945	SEAL - shaft (used prior to S/N 9755072)	3
5	C 13241	BEARING - sleeve	1
6	C 13385	BEARING - sleeve	1
7	C 13266	SEAL - shift rod	1
8	F 7232	BEARING - roller (used S/N 9755072 and after)	1
8	C 13211	BEARING - roller (used prior to S/N 9755072)	1
9	C 12723	CAP - shift rod	1
10	221- 4	PLUG - filler and drain 1/2"	2
11	138- 319	PIN - roll-3/16" x 1-1/2"	1
12	C 22638	SHAFT - axle, short R.H.	1
13	126- 128	KEY - Woodruff, brake idler	1
14	C 22637	SHAFT - axle, long L.H.	1
15	B 52144	RING - retainer, axle	2
16	C 13196	GASKET - transmission cover	1
17	C 13197	COVER - transmission	1
18	A 50096	BREATHER - transmission	1
19	192- 19	LOCKWASHER - 1/4"	6
20	113- 1	BOLT - 1/4" x 1/2" N.C. hex	6
21	C 12725	FORK - shift	1
22	C 16339	ROD - gear shift(used prior to S/N 9755072)	1
22	C 24802	ROD - gear shift(used S/N 9755072 and after)	1
23	C 14168	RING - retaining	2
24	C 14644	GEAR - cluster input	1
25	C 12551	GEAR - high 41 tooth	1
26	C 12552	GEAR - low 55 tooth	1
27	NSS	DIFFERENTIAL CASE-(use C25177 differential assembly)	1
28	C 25258	BRAKE DRUM - (also use C25254)	1
	C 24192	KIT - pinion and side gear	1
29	NSS	GEAR - differential pinion	2
30	NSS	GEAR - differential	2
31	C 12559	WASHER - pinion thrust	2
32	C 12560	PIN - differential cross	1
33	R 17820	PIN - differential cross-lock	1
34	28- 680	SCREW - 3/8" x 5" N.F. hex cap	4
35	131- 1232	NUT - lock 3/8" N.F. hex	4
36	C 12718	WASHER - differential	2
37	C 14223	WASHER - spacer	1
38	C 25254	GEAR - brake idler (also use C25258)	1
39	C 14222	RING - retainer, brake idler	1
40	113- 424	BOLT - 1/2" - 13 x 1" hex	3
40	166- 86	BOLT - 1/2" - 13 x 1-1/4" flange	1
41	192- 23	LOCKWASHER - 1/2"	4



HYDRAULIC LIFT

REF.	PART NO.	DESCRIPTION	REQ'D
1	C 19661	CROSS SHAFT ASSEMBLY	1
2	219- 404	FITTING - lube	1
3	C 18251	PIN - cylinder to lever	1
4	132- 310	PIN - cotter 1/8" x 1"	5
5	C 17734	HOSE - long	1
6	C 17249	BRACKET - mounting top	2
7	C 17250	BRACKET - mounting, bottom	2
8	13- 614	BOLT - 3/8" x 7/8" N.C. hex	4
9	131- 1181	NUT - 3/8" N.C. hex	4
10	C 16163	LEVER - lift control	1
11	A 37247	KNOB - control lever	1
12	C 12093	BUSHING - lift lever	1
13	132- 320	PIN - cotter 3/32" x 3/4"	1
14	195- 533	WASHER - 1/2"	1
15	C 21518	WASHER - nylon	1
16	C 17612	SPRING - control lever	1
17	195- 521	WASHER - 5/16"	1
18	C 18742	ROD - control	1
19	129- 122	NUT - 5/16" N.F. hex	1
20	C 19025	BALL JOINT	1
21	113- 207	BOLT - 3/8" x 1" N.C. hex	2
22	131- 1181	NUT - lock 3/8" N.C. hex	2
23	195- 104	WASHER - 3/8" x 1-1/8" O.D.	2
25	C 18888	PIN - cylinder foot	1
26	C 21496	VALVE - hydraulic, two spool	1
27	218- 5056	FITTING - valve (includes 218-5004 "O" ring)	2
28	C 17224	HOSE - short	1
29	NSS	CYLINDER - lift (use C19475)	1
30	C 16133	BODY - cylinder	1
31	C 19104	ROD AND PISTON ASSEMBLY	1
32	C 17732	FOOT - cylinder	1
33	C 14970	SEAL	1
34	A 7623	"O" RING	1
35	A 30971	"O" RING	2
	C 13106	COVER - lube fitting	1

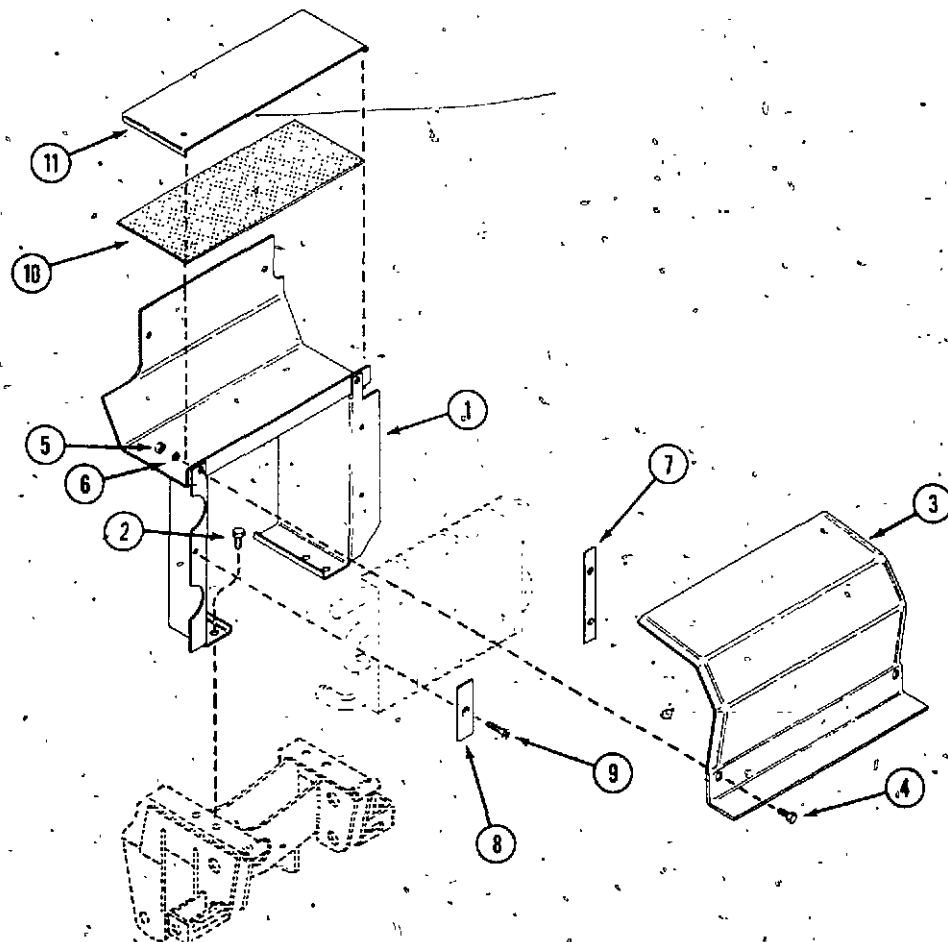


BATTERY MOUNT AND HYDRAULIC RESERVOIR MOUNT

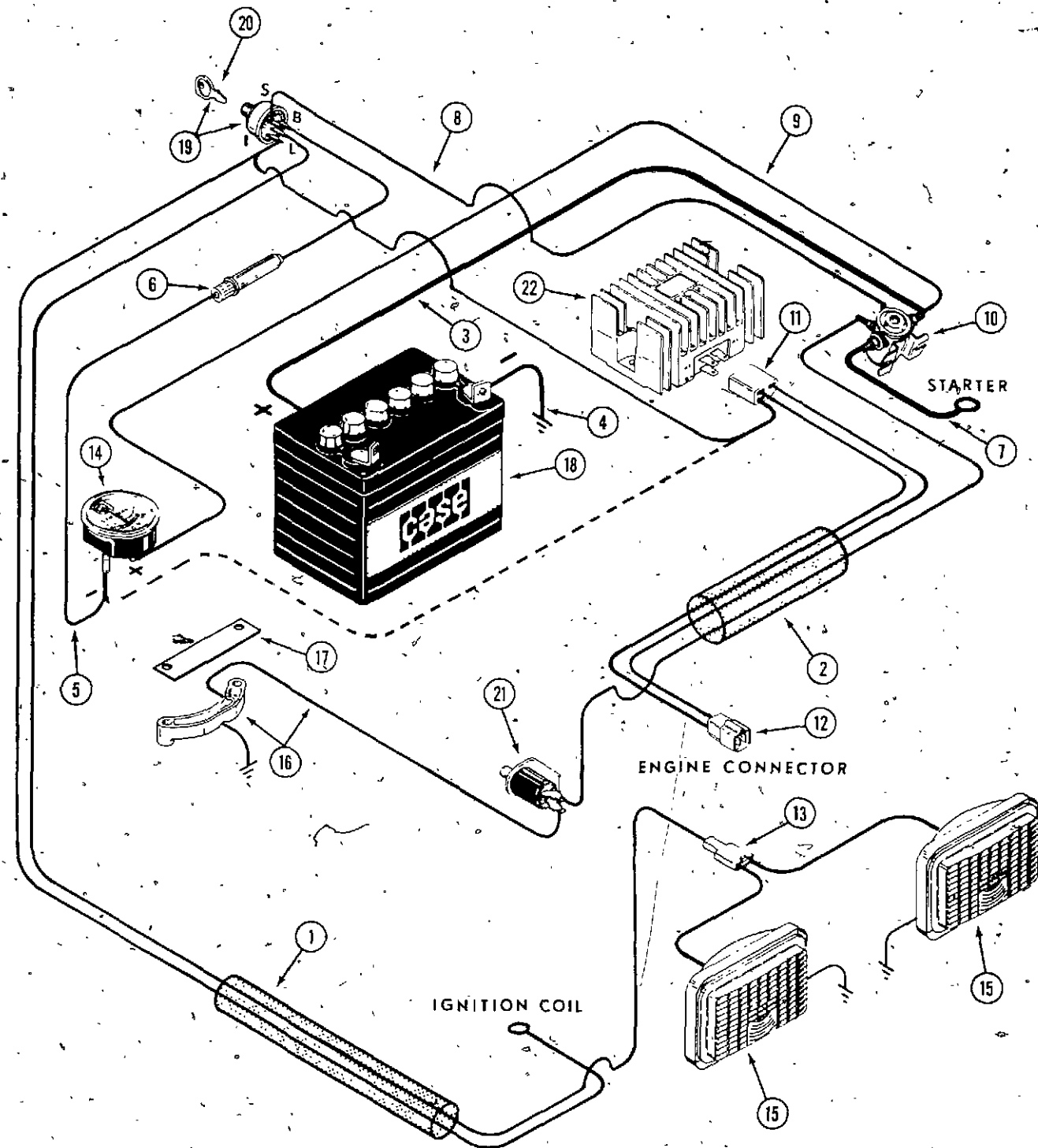
REF.	PART NO.	DESCRIPTION	REQ'D
1	C 23577	SUPPORT - hydraulic reservoir	1
2	C 23578	TRAY - battery	1
3	113- 1	BOLT - 1/4" - 20 x 1/2" hex	3
4	129- 101	NUT - 1/4" - 20 hex	3
5	192- 19	LOCKWASHER - 1/4"	3
6	C 22896	PAD - rubber	1
7	121- 106	SCREW - 5/16" x 1/2" Whizlock	6
8	129- 102	NUT - 5/16" N.C. hex	4
9	C 16239	STRAP - battery hold down	1

HEAT EXCHANGER MOUNTS AND MUFFLER SHIELDS

REF.	PART NO.	DESCRIPTION	REQ'D
1	C 23482	SUPPORT - heat exchanger	1
2	113- 118	BOLT - 5/16" x 5/8"	4
3	C 22972	SHIELD - heat, muffler	1
4	113- 1	BOLT - 1/4" - 20 x 1/2" hex	2
5	129- 101	NUT - 1/4" - 20 hex	2
6	192- 19	LOCKWASHER - 1/4"	2
7	C 14246	BRACKET - heat exchanger L.H.	1
8	C 22790	BRACKET - heat exchanger R.H.	1
9	187- 1252	SCREW - 1/4" x 1-1/2" flat head Phillips	3
10	C 23558	PAD - insulation	1
11	C 23559	RETAINER - insulation	1

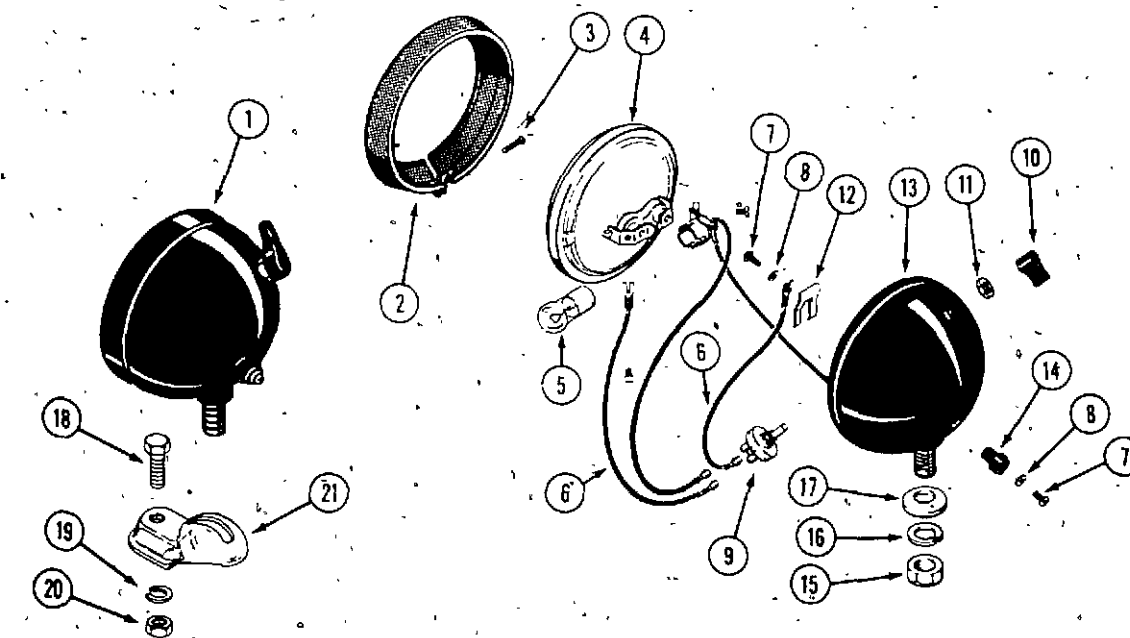
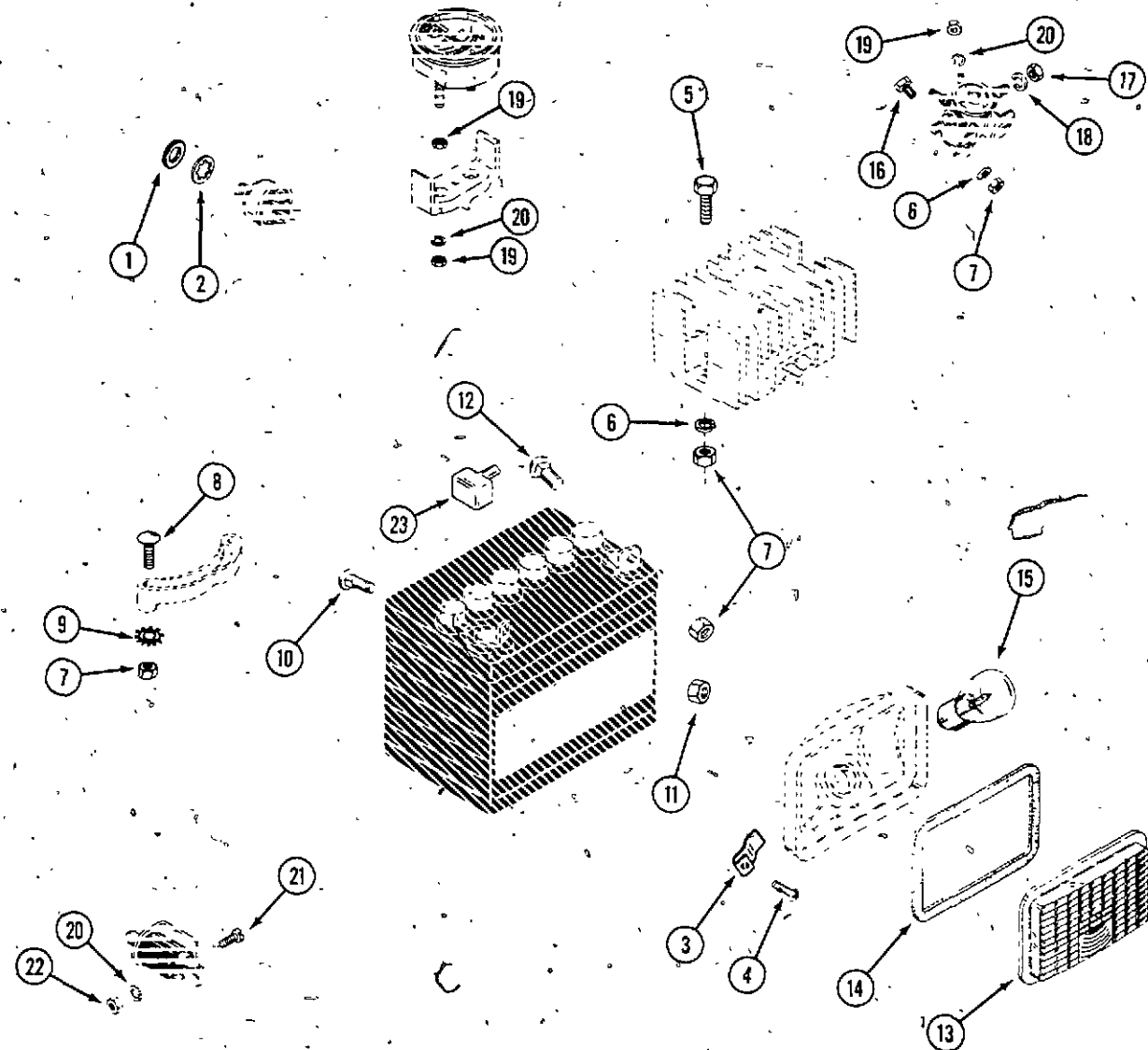


ELECTRICAL SYSTEM



REF.	PART NO.	DESCRIPTION	REQ'D
1*	C 24716	HARNESS - wire	1
2	C 23586	HARNESS - wire	1
3	C 14565	CABLE - battery "positive" to solenoid (red 10 - 1/2")	1
4	C 14566	CABLE - battery "negative" to ground (black 12")	1
5*	C 24717	WIRE ASSEMBLY - ammeter "negative" to switch "B" (includes fuse and fuse holder)	1
6*	223- 31	FUSE - 30 amp	1
7	C 19232	WIRE - solenoid to starter (black 18")	1
8	C 23583	WIRE - solenoid to ignition switch "S" (yellow 13")	1
9	C 23584	WIRE - ammeter "positive" to solenoid (black 15")	1
10	C 14553	SOLENOID - start	1
11	C 19378	CONNECTOR - rectifier, 3 contact	1
12	C 19379	CONNECTOR - engine, 2 contact	1
13	C 14537	CONNECTOR - headlamp	1
14	C 18389	AMMETER - 30 amp	1
15	C 22571	HEADLAMP ASSEMBLY - 12 volt	2
16	C 23002	SWITCH ASSEMBLY - neutral start (includes wire)	1
17	C 21989	INSULATOR - neutral start	1
18	C 18197	BATTERY - 12 volt	1
19	C 23010	SWITCH ASSEMBLY - ignition (does not include nut)	1
20	A 24509	KEY - ignition	1
21	C 22765	SWITCH - PTO	1
22	C 21945	RECTIFIER - regulator	1

*use to modify early production as shown in illustration



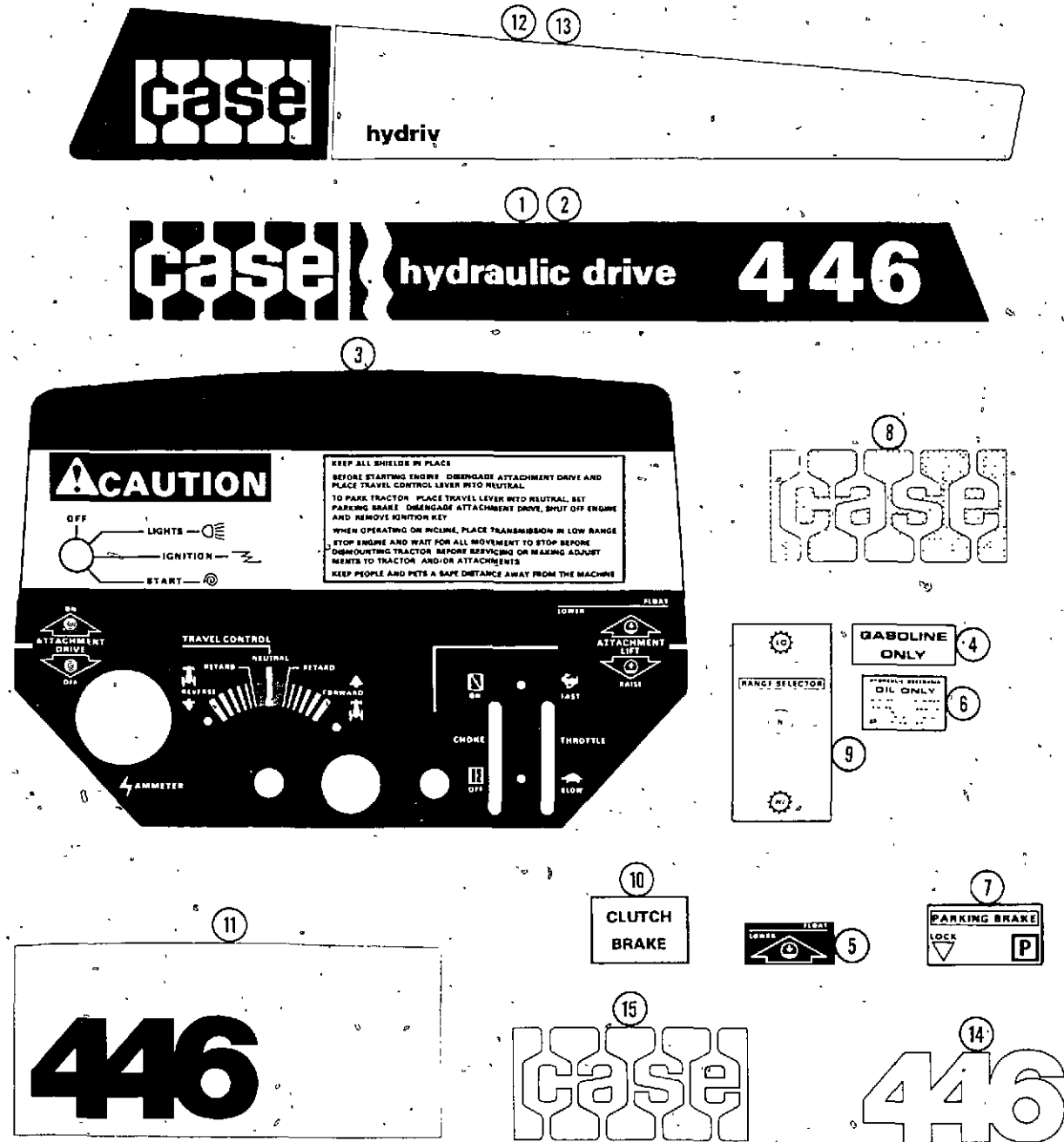
ELECTRICAL SYSTEM HARDWARE

REF.	PART NO.	DESCRIPTION	REQ'D
1	C 23330	NUT - switch	1
2	C 23012	LOCKWASHER - switch	1
3	131- 629	NUT - speed type "U"	4
4	187- 1047	SCREW - #8 x 1/2" self tapping Phillips	4
5	113- 1	BOLT - 1/4" - 20 x 1/2" hex	2
6	192- 19	LOCKWASHER - 1/4"	4
7	129- 101	NUT - 1/4" - 20 hex	7
8	111- 131	BOLT - 1/4" - 20 x 1-1/8" round head, square neck	2
9	193- 57	LOCKWASHER - 1/4" external tooth	2
10	111- 202	BOLT - 5/16" x 3/4" N.C. round head, square neck	1
11	129- 102	NUT - 5/16" hex	1
12	111- 108	BOLT - 1/4" x 3/4" round head, square neck	1
13	C 22571	HEADLAMP ASSEMBLY - 12 volt	2
14	C 22573	LENS - headlamp	1
15	C 14304	GASKET - headlamp	2
16	C 14305	BULB - headlamp, 12 volt	1
17	113- 1	BOLT - 1/4" - 20 x 1/2" hex	2
18	129- 122	NUT - 5/16" N.F. hex	2
19	192- 20	LOCKWASHER - 5/16"	2
20	129- 27	NUT - #10 hex	6
21	192- 18	LOCKWASHER - #10	6
22	182- 528	SCREW - #10 - 32 x 1/2" pan head	2
23	129- 37	NUT - #10 - 32 hex	2
	C 24069	COVER - terminal	1
	C 19521	CLIP - wire holder	1

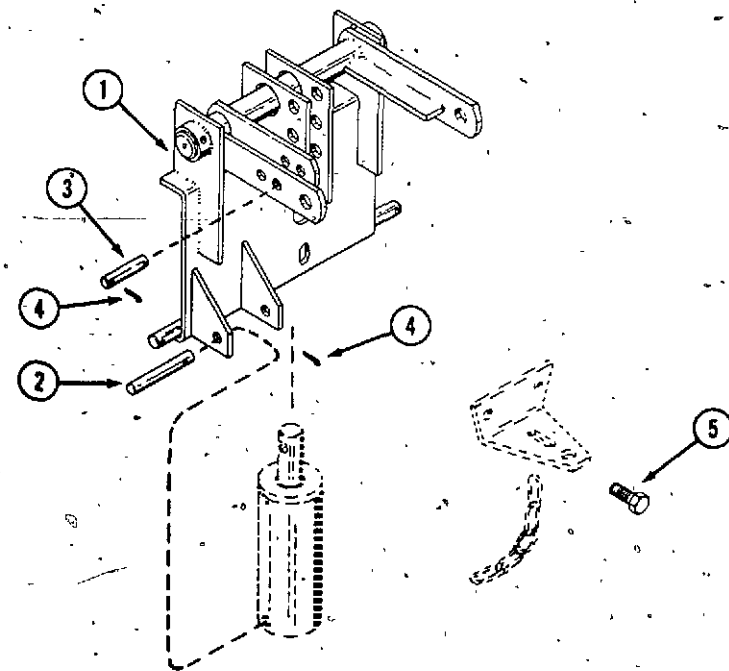
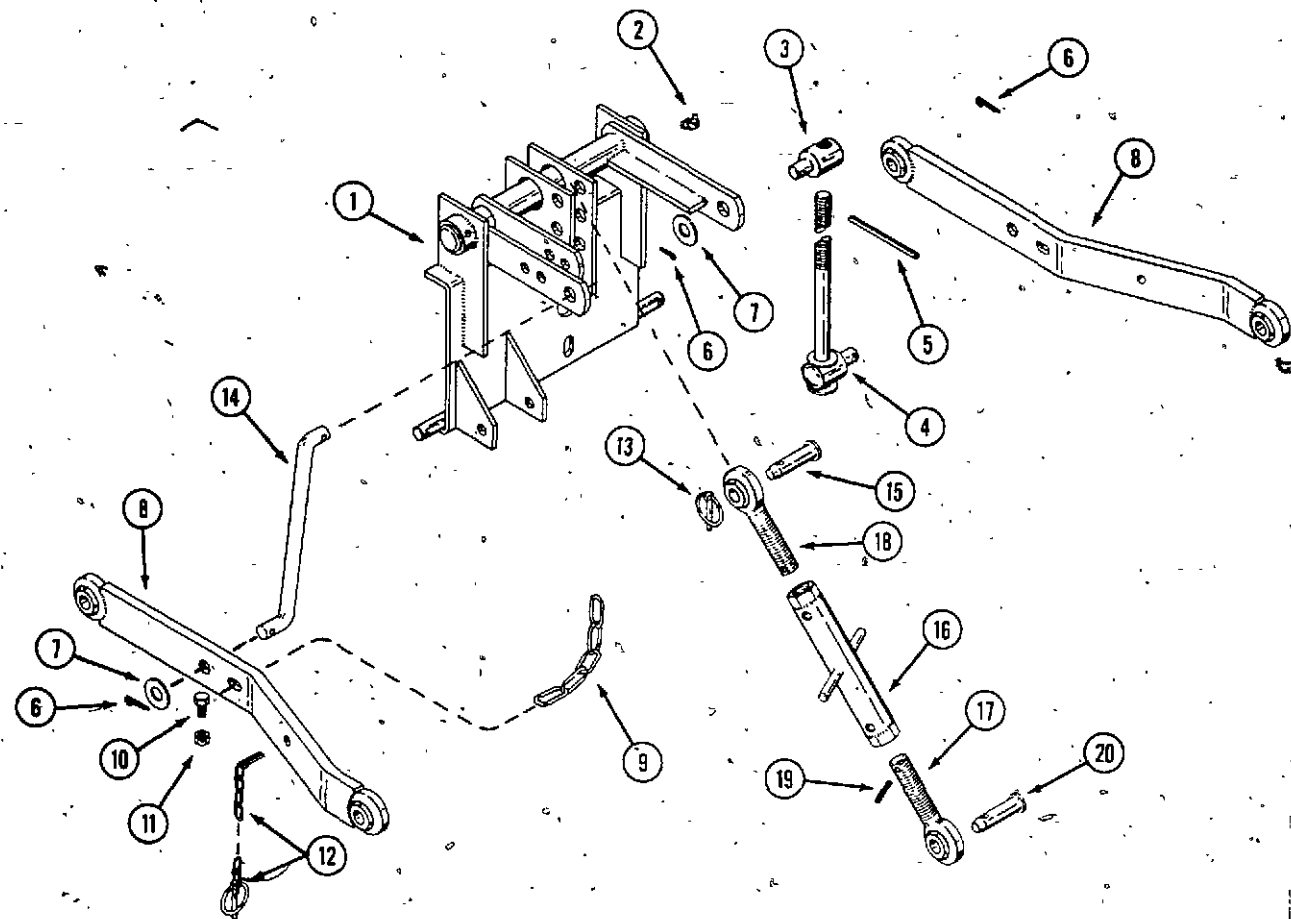
TAIL LAMP (OPTIONAL)

1	NSS	LAMP ASSEMBLY - flood and tail (order D70115)	1
2	B 50255	MOLDING - lamp retaining	1
3	10934	SCREW - molding	1
4	A 40855	LAMP - sealed unit	1
5	B 50223	BULB - red 15 C.P. 12 volt	1
6	B 50273	WIRE - switch	2
7	173- 73	SCREW - wire	2
8	193- 4	WASHER - 1/4" lock	2
9	NSS	SWITCH (see kit below)	1
10	NSS	KNOB - switch (see kit below)	1
11	A 39888	NUT - switch	1
12	10927	SPRING - terminal	1
13	NSS	BODY	1
14	B 50293	TERMINAL - wire	1
15	129- 105	NUT - 1/2" N.C. hex	1
16	192- 23	WASHER - 1/2" lock	1
17	10923	WASHER - bearing	1
18	113- 209	BOLT - 3/8" x 1-1/2" N.C. hex, zinc plated	1
19	192- 21	LOCKWASHER - 3/8" zinc plated	1
20	129- 103	NUT - 3/8" N.C. hex, zinc plated	1
21	A 34046	BRACKET - mounting, tail lamp	1
	A 43182	Kit - switch (includes knob)	1

DECALS



REF.	PART NO.	DESCRIPTION	REQ'D
1	321- 3778	DECAL - hood L.H. (used prior to S/N 9730384) shown	1
2	321- 2500	DECAL - hood R.H. (used prior to S/N 9730384)	1
3	321- 3585	DECAL - instrument panel	1
4	321- 18	DECAL - gasoline	1
5	321- 2658	DECAL - float	1
6	C 23209	DECAL - hydraulic reservoir	1
7	321- 2110	DECAL - parking brake	1
8	321- 1423	DECAL - "CASE" (used prior to S/N 9730384)	1
9	321- 1788	DECAL - shift range	1
10	321- 3909	DECAL - clutch, brake	1
11	321- 4166	DECAL - hood top (used S/N 9730384 and after)	1
12	321- 4155	DECAL - hood R.H. (used S/N 9730384 and after) shown	1
13	321- 4156	DECAL - hood L.H. (used S/N 9730384 and after)	1
14	321- 4153	DECAL - fender, "446" (used S/N 9730384 and after)	1
15	321- 2677	DECAL - fender, "CASE" (used S/N 9730384 and after)	1

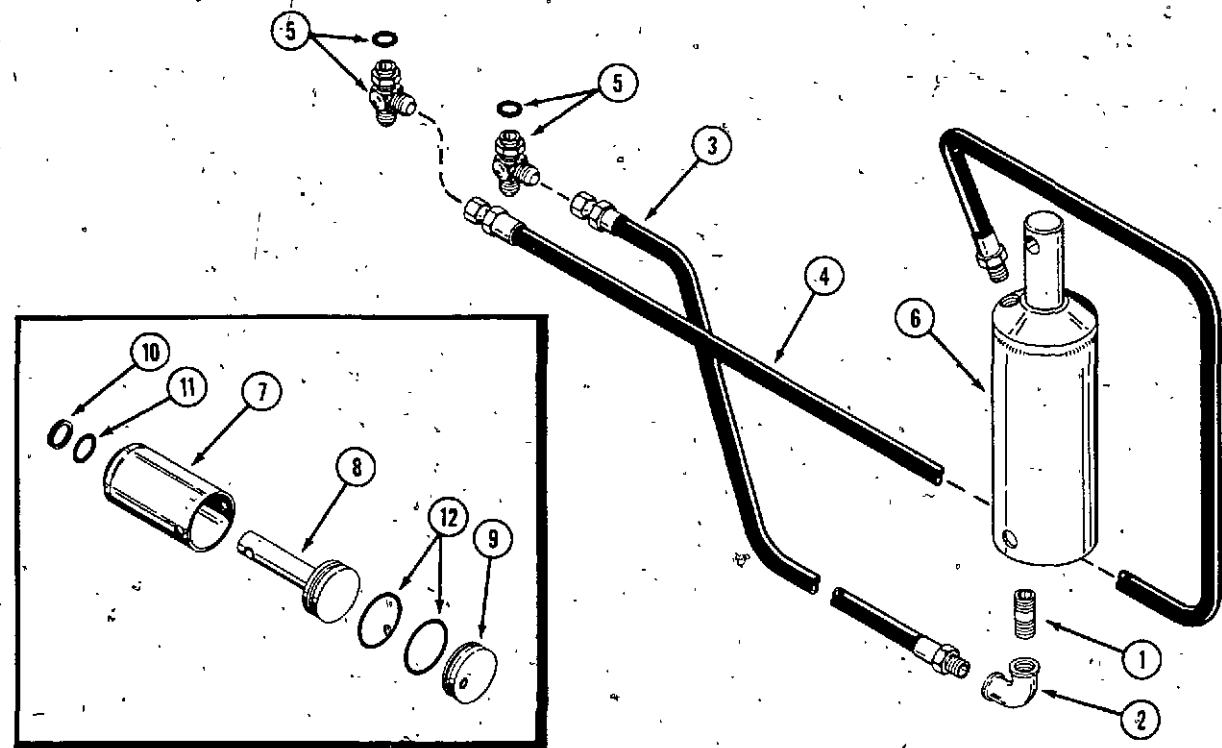


**H26 THREE POINT HITCH
FRAME, LIFT RODS AND ARMS**

REF.	PART NO.	DESCRIPTION	REQ'D
1	C 19740	HITCH PLATE ASSEMBLY	1
2	219- 405	FITTING - lube	2
3	C 14722	NUT - lift rod	1
4	C 14724	ROD ASSEMBLY - R.H. lift.	1
5	138- 308	PIN - roll 1/4" x 3"	1
6	132- 91	PIN - cotter 3/16" x 1"	6
7	195- 541	WASHER - plain 5/8"	4
8	C 14715	ARM - lift	2
9	C 14991	CHAIN - stay 19 links	1
10	113- 118	BOLT - 5/16" x 5/8" N.C. hex, zinc plated	2
11	131- 176	NUT - lock 5/16" N.C. hex	2
12	B 52118	PIN - klik	2
13	A 30338	PIN - klik	3
14	C 14725	ROD - lift L.H.	1
15	C 14717	PIN - clevis	1
	C 14712	LINK ASSEMBLY	1
16	C 14703	CENTER TUBE ASSEMBLY	1
17	C 14709	BALL END ASSEMBLY R.H. thread	1
18	C 14710	BALL END ASSEMBLY L.H. thread	1
19	138- 59	PIN - roll 1/8" x 7/8"	2
20	C 16128	PIN - clevis 5/8" x 3"	1

CYLINDER AND DRAWBAR MOUNTING

1	C 19740	HITCH PLATE ASSEMBLY	1
2	C 14975	PIN - lower cylinder mounting	1
3	C 14976	PIN - upper cylinder mounting	1
4	132- 310	PIN - cotter 1/8" x 1"	3
5	113- 417	BOLT - 1/2" x 1-1/4" N.C., hex, zinc plated	2

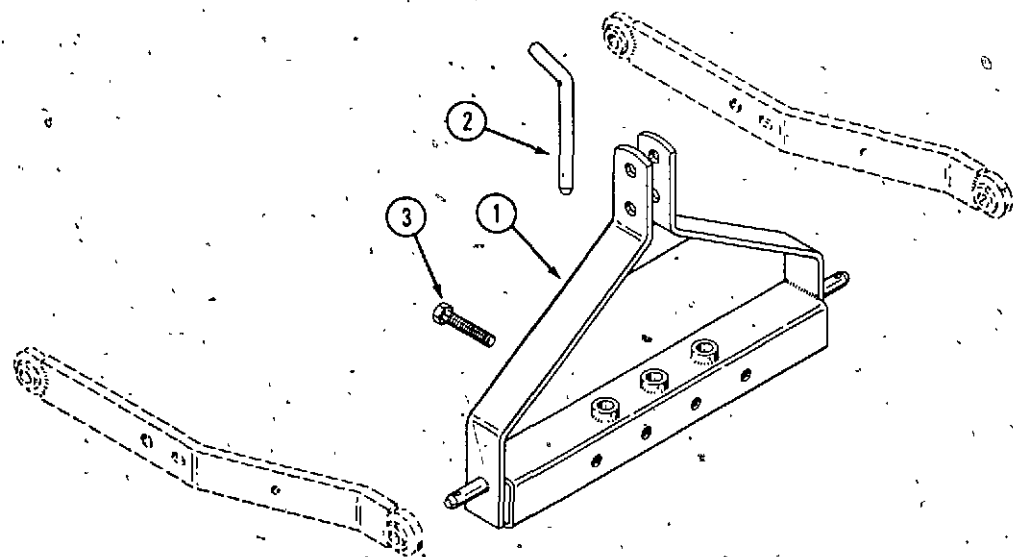


**MODEL H26 THREE POINT HITCH AND MODEL F27 HITCH ADAPTER
HYDRAULIC CONNECTIONS AND COMPONENTS**

REF.	PART NO.	DESCRIPTION	REQ'D
1	221- 1134	NIPPLE - 1/4" x 1-1/2"	1
2	221- 1375	ELBOW - 90°	1
3	C 17188	HOSE - hydraulic short	1
4	C 17189	HOSE - hydraulic long	1
5	218- 5291	FITTING - tee (includes 218-5004 "O" ring)	2
6	NSS	CYLINDER ASSEMBLY - (use C19480 and C19481)	1
7	C 15768	BODY - cylinder	1
8	C 19469	ROD AND PISTON ASSEMBLY	1
9	C 14692	FOOT - cylinder	1
10	C 19470	SEAL - wiper	1
11	A 7623	"O" RING	1
12	A 30971	"O" RING	2

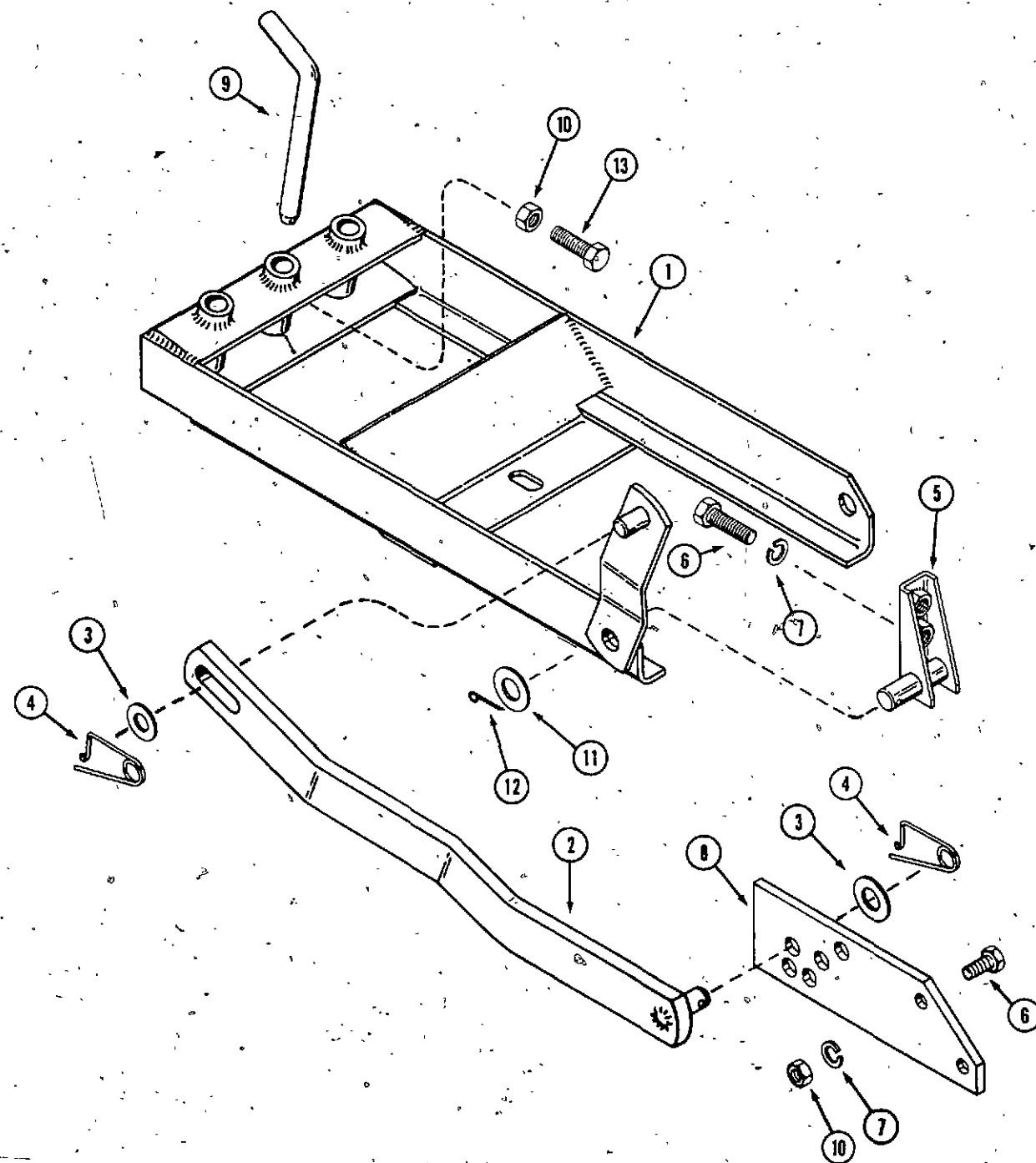
MODEL F27 HITCH ADAPTER

1	C 14872	BRACKET - hitch adapter	1
2	C 14568	PIN - drawbar	1
3	113- 425	BOLT - 1/2" x 3" N.C. hex, zinc plated	4

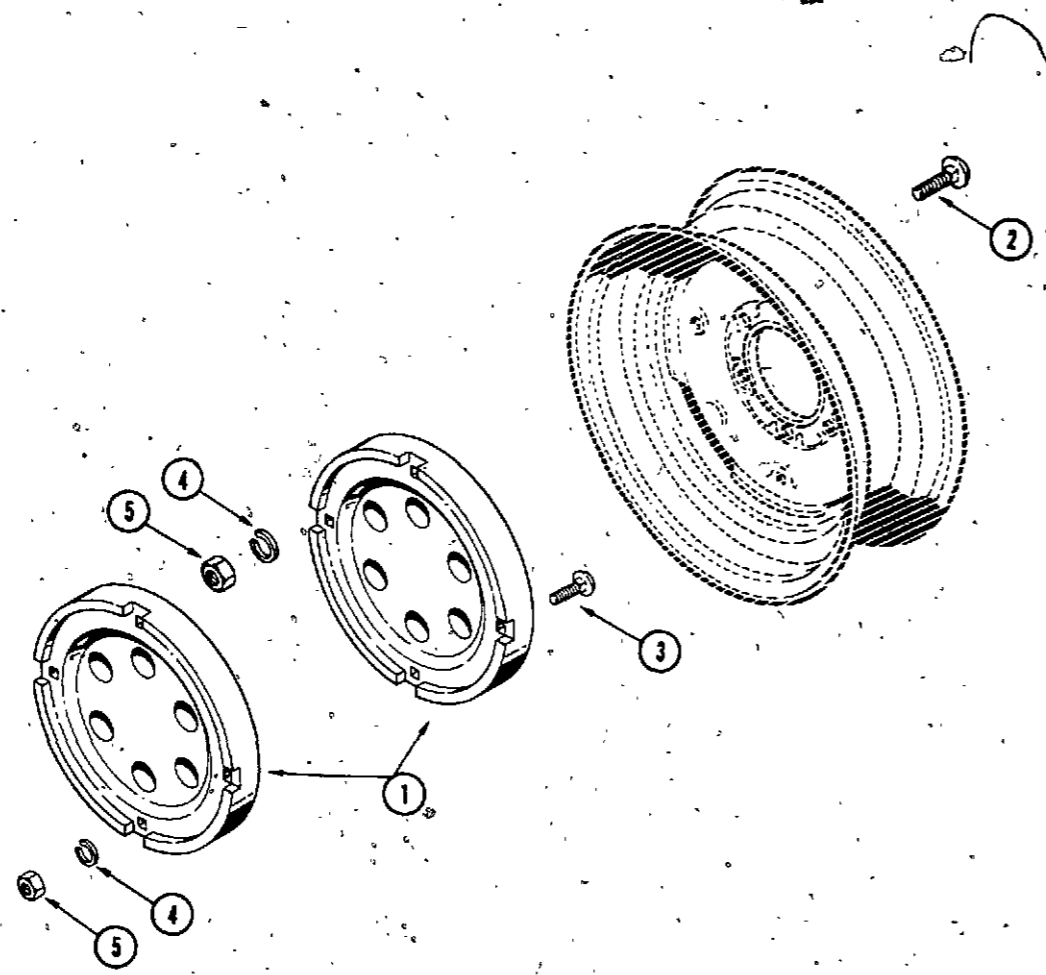


CASE MODEL 446 COMPACT TRACTOR

J24 SLEEVE HITCH



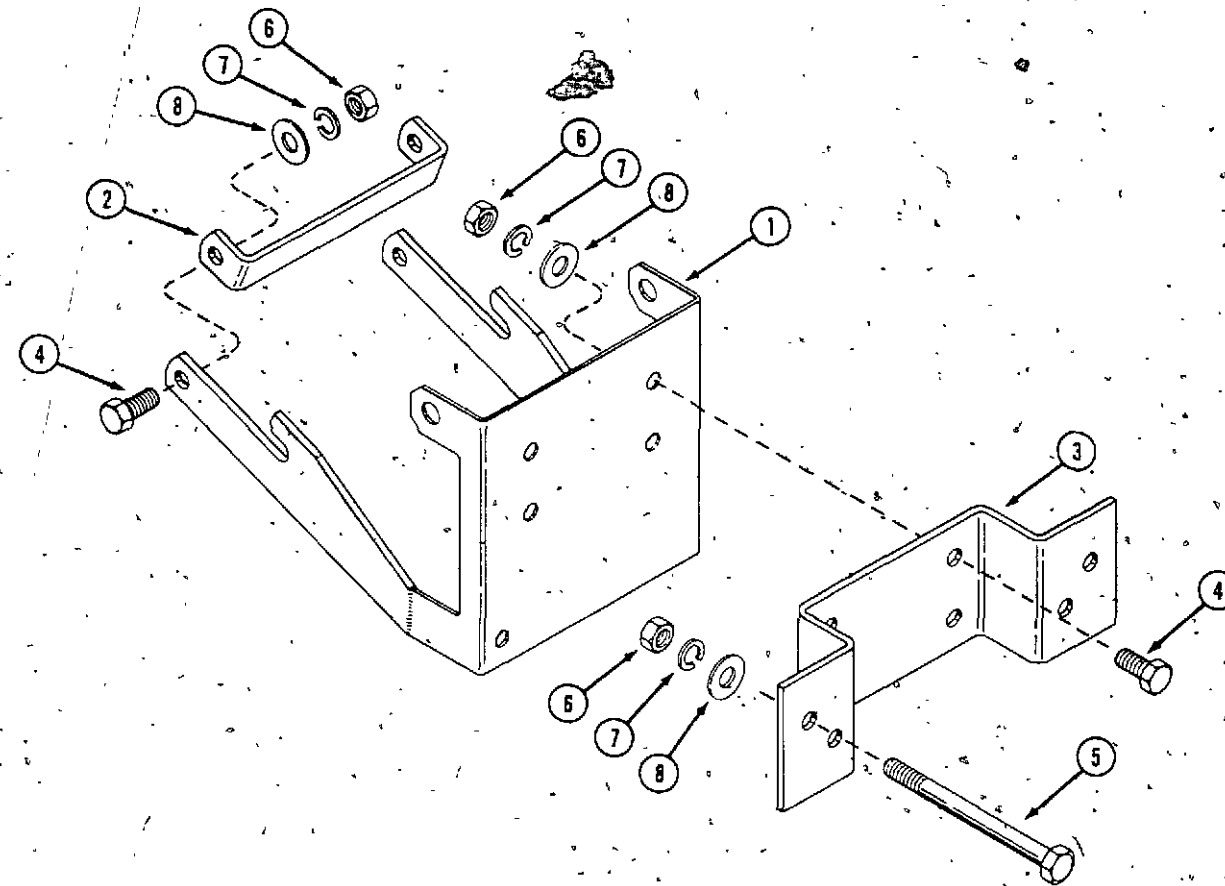
REF.	PART NO.	DESCRIPTION	REQ'D
1	C 22218	HITCH FRAME ASSEMBLY	1
2	C 14457	ARM - lift	1
3	195- 541	WASHER - plain 21/32"	2
4	C 10898	PIN - safety	2
5	C 14459	BRACKET - hitch mounting R.H.	1
5	C 14460	BRACKET - hitch mounting L.H.	1
6	113- 410	BOLT - 1/2" x 1-1/2" N.C. hex, zinc plated.	6
7	192- 23	LOCKWASHER - 1/2" zinc plated	6
8	NSS	PLATE - lift lever (use C25382)	1
9	C 14568	PIN - drawbar	1
10	129- 105	NUT - 1/2" N.C. hex, zinc plated	4
11	195- 545	WASHER - plain 3/4" zinc plated	2
12	132- 306	PIN - cotter 3/16" x 1-3/4"	2
13	113- 476	BOLT - 1/2" x 2-3/4" N.C. hex, zinc plated	2



D10 WHEEL WEIGHTS

REF.	PART NO.	DESCRIPTION	REQ'D
1	NSS	WEIGHT - wheel 15" and 16" (Order as Machinery item)	4
2	111- 530	BOLT - 1/2" x 2-1/2" round head, square neck, N.C., zinc plated	4
3	111- 531	BOLT - 1/2" x 2-3/4" round head, square neck, N.C., zinc plated	4
4	92- 8	LOCKWASHER - 1/2" zinc plated	8
5	129- 105	NUT - 1/2" N.C. hex.	8

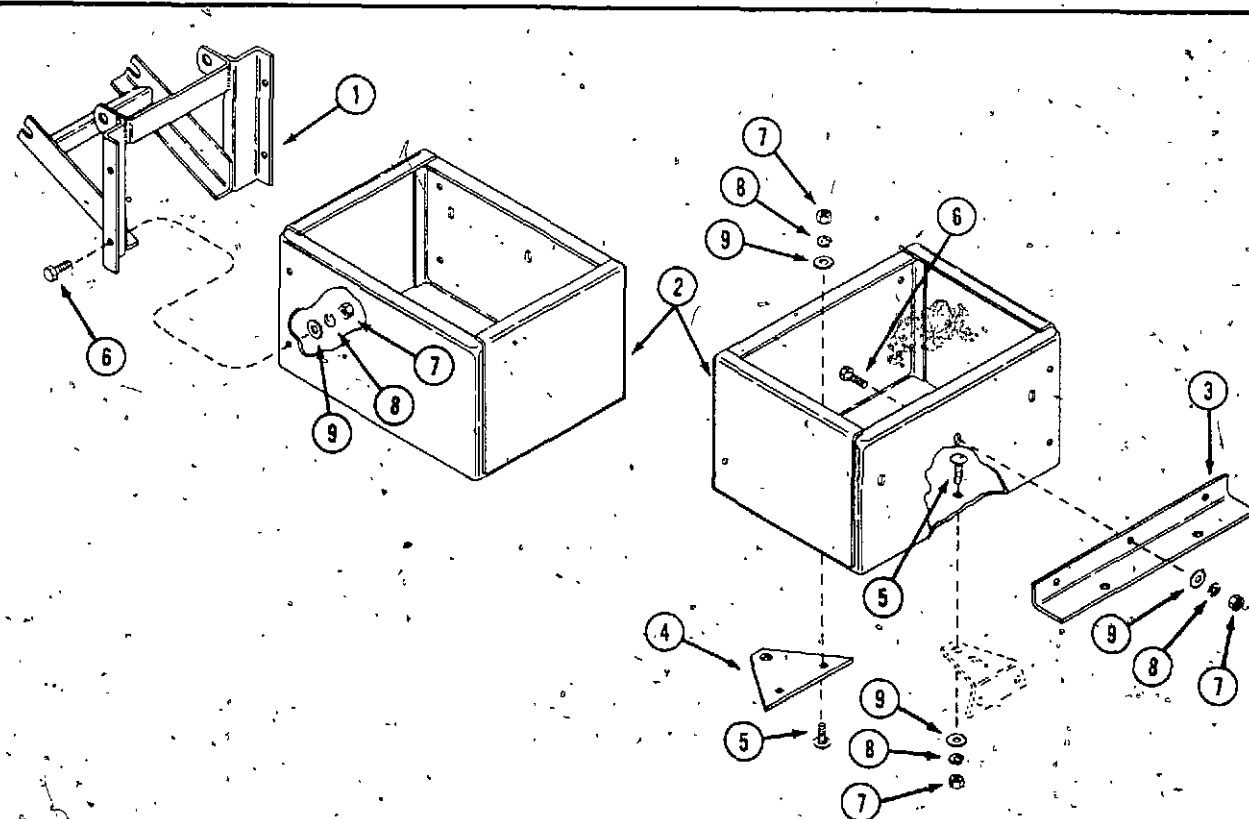
MODEL H18 FRONT END WEIGHT BRACKETS



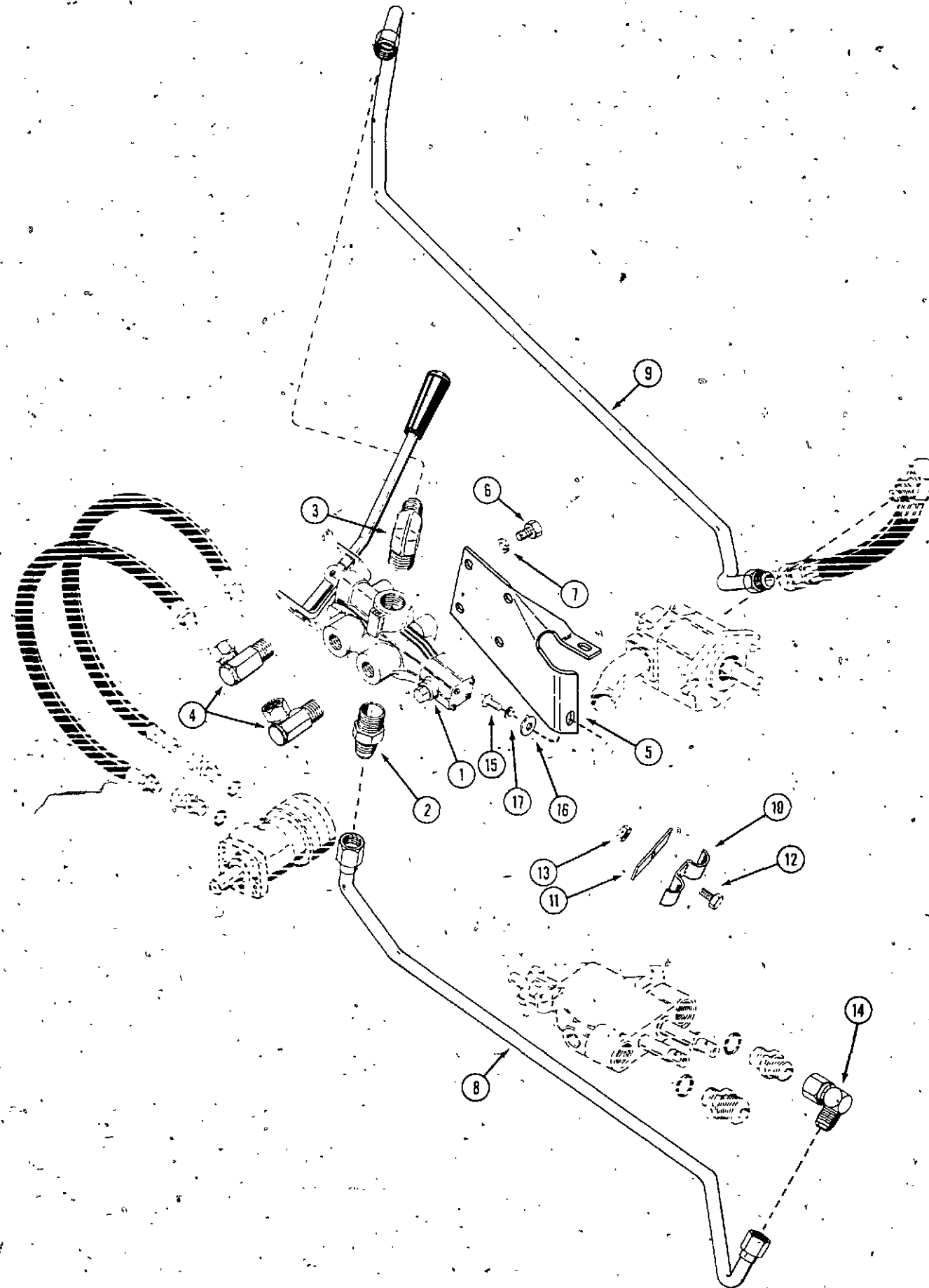
REF.	PART NO.	DESCRIPTION	REQ'D
1	C 16581	BRACKET - mounting	1
2	C 17161	BRACE - rear	1
3	C 17162	BRACKET - weight mounting	1
4	113- 417	BOLT - 1/2" x 1-1/2" N.C. hex, zinc plated	6
5	113- 443	BOLT - 1/2" x 6-1/2" N.C. hex	2
6	25- 108	NUT - 1/2" N.C. hex, zinc plated	8
7	192- 23	LOCKWASHER - 1/2"	8
8	195- 533	WASHER - 1/2" zinc plated	8

MODEL H13 WEIGHT BOX

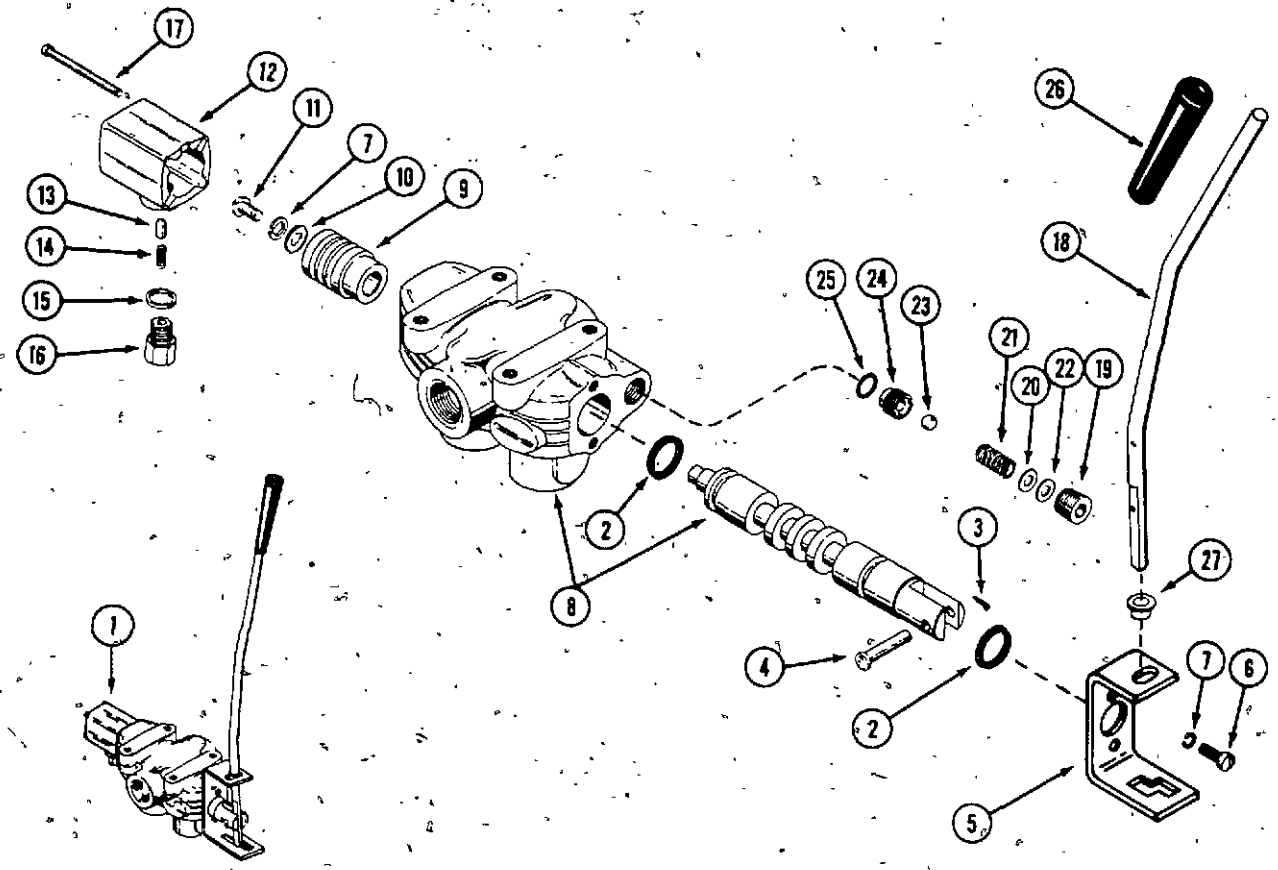
REF.	PART NO.	DESCRIPTION	REQ'D
1	C 17859	FRAME - weight box	1
2	C 17863	BOX - weight	1
3	C 17860	SUPPORT - weight box	1
4	C 17636	PLATE - hitch	1
5	111- 317	BOLT - 3/8" x 1" round head, square neck	3
6	113- 207	BOLT - 3/8" x 1" N.C. hex	4
7	129- 103	NUT - 3/8" N.C. hex	7
8	192- 21	LOCKWASHER - 3/8"	7
9	195- 525	WASHER - 3/8"	7



J-17 HYDRAULIC PTO KIT



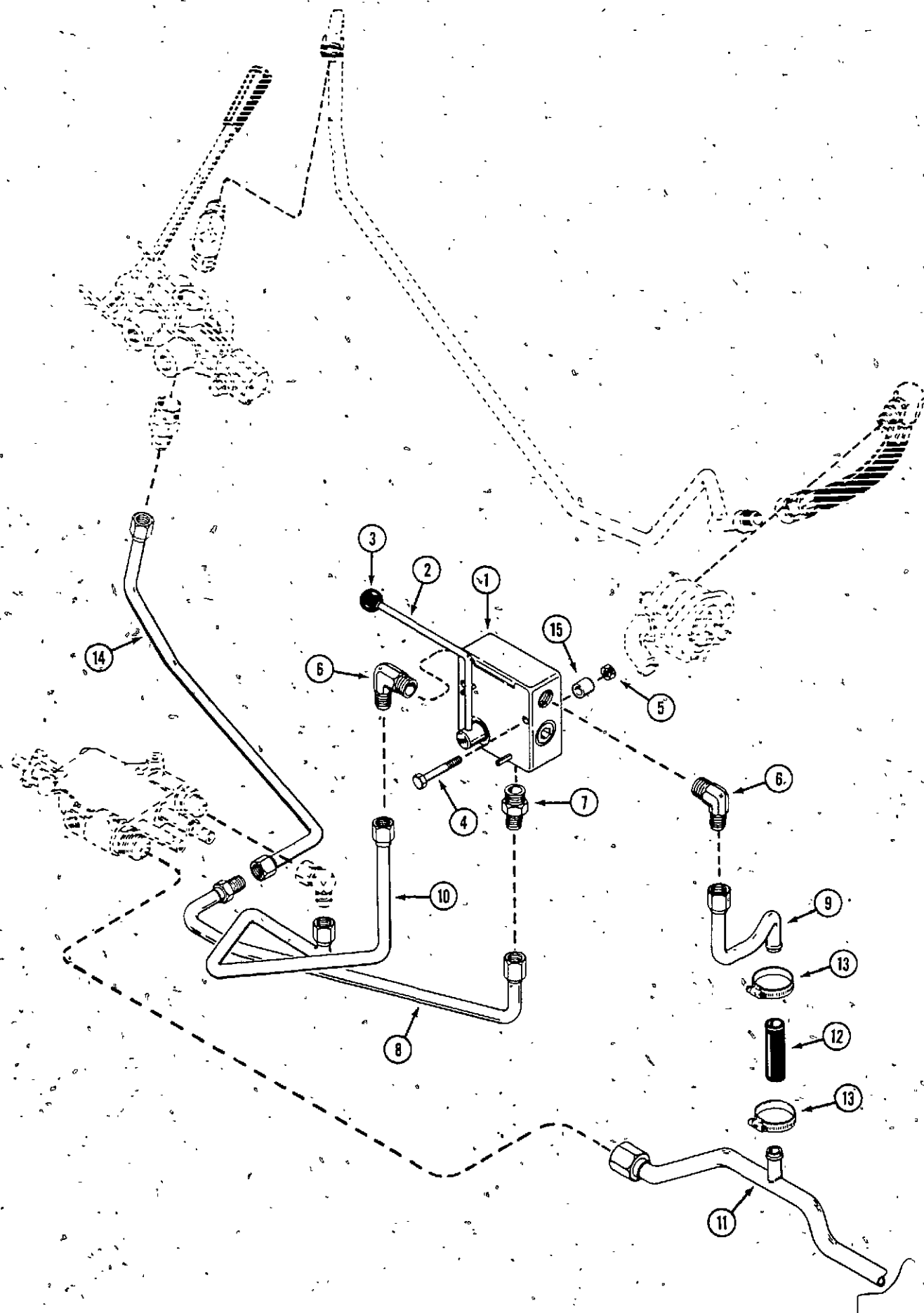
REF.	PART NO.	DESCRIPTION	REQ'D
1	C 18281	VALVE - PTO control	1
2	218- 457	FITTING - straight 3/4" NPT x 5/8" tube	1
3	218- 494	FITTING - elbow 90°, 3/4" NPT x 5/8" tube	1
4	218- 927	FITTING - elbow - 90°, 1/2" NPT x 1/2" female NPSM swivel	2
5	C 23337	BRACKET - valve mounting	1
6	113- 206	BOLT - 3/8" x 3/4" N.C. hex	4
7	192- 21	LOCKWASHER - 3/8"	4
8	C 23888	TUBE - PTO valve to travel control valve	1
9	C 23962	TUBE - pump to PTO valve	1
10	C 15389	CLAMP - double, tubing (early production)	1
11	C 19424	BAR - clamp (early production)	1
12	113- 102	BOLT - 5/16" x 3/4" N.C. hex (early production)	1
13	129- 102	NUT - lock 5/16" N.C. hex (early production)	1
14	218- 5232	FITTING - 90° swivel elbow 37° x 37° flare 3/4" NPT x 5/8" tube	1
15	113- 103	BOLT - 5/16" x 1" N.C. hex (fender mounting)	2
16	195- 521	WASHER - 5/16" (fender mounting)	2
17	192- 20	LOCKWASHER - 5/16" (fender mounting)	2



J-17 HYDRAULIC PTO VALVE

REF.	PART NO.	DESCRIPTION	REQ'D
1	C 18281	VALVE - control	1
2	C 11891	SEAL - U-cup	2
3	132- 5	PIN - cotter 1/16" x 1/2"	1
4	36627	PIN - handle	1
5	C 19422	BRACKET - handle	1
6	71- 410	SCREW - 1/4" x 5/8" N.C. fillister head	2
7	92- 4	LOCKWASHER - 1/4"	3
8	NSS	BODY AND SPOOL ASSEMBLY (Order C18281)	1
9	C 11895	ADAPTER - spool	1
10	95- 4	WASHER - plain 1/4"	1
11	75- 48	SCREW - 1/4" x 1/2" rd. hd. machine	1
12	C 11893	BONNET - detent	1
13	C 11901	PIN - detent	1
14	C 11892	SPRING - detent	1
15	C 11886	WASHER - detent spring	1
16	C 11887	CAP - detent	1
17	169- 108	SCREW - bonnet #8-32 x 2-1/4" fillister head	4
18	C 19423	LEVER - valve	1
19	221- 842	PLUG - relief 3/8" NPT	1
20	D 39712	SHIM - .010" thick	UAR
21	T 40189	SPRING - relief	1
22	A 55894	SHIM - .020" thick	UAR
23	211- 11	BALL - relief 3/8"	1
24	C 18417	SEAT - relief	1
25	A 27891	"O" RING - relief seat	1
26	A 37247	KNOB - hand throttle	1
27	C 12127	BUSHING - nylon	1

MODEL L-19 FLOW CONTROL VALVE KIT



REF.	PART NO.	DESCRIPTION	REQ'D
1	C 23618	VALVE - flow control	1
2	C 18720	LEVER - valve	1
3	A 61683	KNOB - lever	1
4	113- 12	BOLT - 1/4" x 2-1/2" NC hex	2
5	131- 1115	NUT - lock 1/4" NC hex	2
6	218- 485	FITTING - elbow 90° 1/2" NPT	2
7	218- 445	FITTING - straight 1/2" NPT	1
8	C 23612	TUBE - flow control valve to tube	1
9	C 23407	TUBE - bypass to return line	1
10	C 23600	TUBE - valve to tractor valve	1
11	C 19405	TUBE - heat exchanger	1
12	C 18721	HOSE - return	1
13	214- 6	CLAMP - hose	2
14	C 23879	TUBE - PTO valve to tube	1
15	C 21592	SPACER	2
	C 18719	DECAL - valve, "slow- fast"	1

NUMERICAL INDEX

NUMERICAL INDEX

PART NO.	PAGE NO.	REF. NO.	PART NO.	PAGE NO.	REF. NO.	PART NO.	PAGE NO.	REF. NO.	PART NO.	PAGE NO.	REF. NO.	PART NO.	PAGE NO.	REF. NO.	PART NO.	PAGE NO.	REF. NO.						
C	20320	15	17	C	20430	7	8	C	22261	9B	7	C	23310	9	12	C	24433	37	3	D	39712	71	20
C	20322	15	19	C	20432	7	10	C	22262	9	29	C	23311	9	15	C	24438	37	1	D	58188	43	11
C	20323	15	20	C	20433	7	11	C	22262	9B	29	C	23312	9	15	C	24665	7		D	58189	43	14
C	20325	15	33	C	20434	7	12	C	22263	9	30	C	23313	9	15	C	24666	7		D	59700	41	12
C	20329	15	26	C	20437	7	15	C	22263	9B	30	C	23314	9	15	C	24703	21	1	D	60857	41	13
C	20330	15	27	C	20438	7	16	C	22264	9	31	C	23315	9	15	C	24716	53	1	F	7232	47	8
C	20331	15	28	C	20439	7	17	C	22264	9B	31	C	23316	9	15	C	24717	53	5	F	59014	27	14
C	20333	17	9	C	20440	7	18	C	22278	33	5	C	23318	11	1	C	24731	41		O	2815N	27	16
C	20334	17	10	C	20441	7	19	C	22316	37	19	C	23320	15	11	C	24734	41	13	O	2815N	27B	6
C	20335	17	11	C	20442	7	20	C	22500	9	26	C	23321	15	21	C	24741	27B	2	R	13338	9	24
C	20336	17	13	C	20443	7	21	C	22500	9B	26	C	23322	19	6	C	24783	27B		R	13338	9B	24
C	20337	17		C	20445	7	23	C	22568	33	19	C	23323	19	9	C	24802	47	22	R	17820	47	33
C	20339	19	2	C	20446	7	24	C	22571	53	15	C	23326	39	19	C	24803	47	4	T	25070	9	23
C	20341	19	3	C	20447	7	25	C	22571	55		C	23330	55	1	C	24804	47	3	T	25070	9B	23
C	20343	19	4	C	20448	7	26	C	22573	55	13	C	23337	69	5	C	24819	41	3	T	33565	39	5
C	20345	19	11	C	20450	7	28	C	22618	11	5	C	23392	27	3	C	24843	47		T	40189	71	21
C	20345	19	11	C	20451	7		C	22619	11	36	C	23392	27B	3	C	24903	39	20				
C	20346	19	5	C	20452	7		C	22620	11	36	C	23407	71B	9	C	24926	5	2				
C	20347	19	12	C	20455	43	15	C	22621	11	36	C	23482	51	1	C	24927	5	28				
C	20347	19	12	C	20456	43	2	C	22622	11	36	C	23527	29	5	C	24929	5	30				
C	20349	19	19	C	20457	43	3	C	22631	15	1	C	23558	51	10	C	24931	9B	12				
C	20353	19	8	C	20460	43	4	C	22632	15	3	C	23559	51	11	C	24932	9B	12				
C	20353	19	13	C	20461	43	5	C	22633	15	16	C	23566	21	9	C	24933	9B	12				
C	20355	13		C	20462	43	6	C	22637	47	14	C	23566	39	1	C	24934	9B	12				
C	20359	17	1	C	20468	21	13	C	22638	47	12	C	23573	29	4	C	24935	9B	12				
C	20360	17	2	C	20470	11	40	C	22671	27	9	C	23577	51	1	C	24936	9B	12				
C	20361	17	3	C	20471	13	40	C	22671	27B	9	C	23578	51	2	C	24937	9B	15				
C	20362	17	18	C	20492	5	29	C	22725	21	3	C	23580	21	10	C	24938	9B	15				
C	20363	17	20	C	20574	11	31	C	22765	53	21	C	23581	21	9	C	24939	9B	15				
C	20364	17	19	C	20574	15	29	C	22769	39	12	C	23583	53	8	C	24940	9B	15				
C	20366	19	22	C	21496	39	28	C	22790	51	8	C	23584	53	9	C	24941	9B	15				
C	20369	17	4	C	21496	45		C	22808	39	15	C	23586	53	2	C	24942	9B	15				
C	20370	17	5	C	21496	49	26	C	22896	51	6	C	23600	71B	10	C	24943	9B	5				
C	20371	17	6	C	21504	45		C	22902	39	14	C	23612	71B	8	C	24945	11	1				
C	20372	17	8	C	21505	45	15	C	22921	25	3	C	23618	71B	1	C	24947	11	19				
C	20374	17	14	C	21506	45	22	C	22947	39	18	C	23624	27B	16	C	24951	17	18				
C	20375	17	12	C	21507	45	7	C	22969	21	2	C	23625	27B	18	C	24952	17	19				
C	20376	17	13	C	21508	45	24	C	22970	21	7	C	23627	27B	15	C	24953	17	20				
C	20377	13	50	C	21509	45	23	C	22972	51	3	C	23630	27B	17	C	24954	19	17				
C	20378	13		C	21510	45	25	C	22992	33	13	C	23686	21	12	C	24956	19	22				
C	20387	5	1	C	21510	45	25	C	22998	25	2	C	23740	27	6	C	24957	19	16				
C	20389	5	3	C	21511	45		C	23002	53	16	C	23740	27B	10	C	24958	15	12				
C	20390	5	4	C	21515	29	2	C	23004	25	20	C	23853	19		C	24968	29	1				
C	20391	5	5	C	21518	41	5	C	23010	53	19	C	23854	19	3	C	25022	37	13				
C	20393	5	17	C	21518	49	15	C	23012	55	2	C	23855	19	6	C	25100	19	10				
C	20396	5	27	C	21526	33	18	C	23033	27	12	C	23856	19	9	C	25209	39	6				
C	20397	5	25	C	21526	33	18	C	23033	27B	12	C	23879	71B	14	C	25209	43	16				
C	20398	5	24	C	21527	33	17	C	23189	39	24	C	23888	69	8	C	25224	13					
C	20399	5	22	C	21529	33	21	C	23209	57	6	C	23962	69	9	C	25225	13					
C	20401	5	11	C	21568	11	19	C	23245	27	10	C	24069	55	23	C	25226	13					
C	20405	5	23	C	21592	71B	15	C	23245	27B	11	C	24096	37	16	C	25227	19	24				
C	20406	5	13	C	21596	27	11	C	23300	5	12	C	24098	35	18	C	25254	47	38				
C	20407	5	20	C	21945	19	21	C	23304	9	10	C	24137	29	3	C	25258	47	28				
C	20411	5	14	C	21945	53	22	C	23304	9B	10	C	24192	47		C	25336	21	6				
C	20412	5	16	C	21989	53	17	C	23305	9	12	C	24296	21	8	C	25337	21	7				
C	20412	13	45	C	22023	29	6	C	23306	9	12	C	24308	19	20	C	25338	19	25				
C	20427	7	5	C	22218	63	1	C	23307	9	12	C	24325	9B	28	C	25489	21	1				
C	20428	7	6	C	22260	9	3	C	23308	9	12	C	24326	9B	3	C	25490	21	2				
C	20429	7	7	C	22261	9	7	C	23309	9	12	C	24334	43		D	31945	47	4				

HARDWARE CODE NUMBERS

13-	48	5	18
13-	68	13	49
13-	416	15	25
13-	420	5	9
13-	424	43	13
13-	428	11	38
13-	512	15	30
13-	514	29	18
13-	516	17	23
13-	528	15	31
13-	532	5	6
13-	536	5	6
13-	536	15	32
13-	614	49	8
13-	620	11	4
13-	640	15	23
13-	764	9	22
13-	764	9B	22
14-	616	15	18
25-	104	5	19
25-	108	67	6
28-	680	47	34
41-	26	11	2
71-	410	71	6
75-	48	71	11
83-	55	43	20
92-	3	19	18
92-	4	5	10
92-	4	15	24
92-	4	17	8
92-	4	17	16
92-	4	19	14
92-	4	71	7
92-	5	5	8
92-	5	17	24
92-	6	11	12
92-	6	15	22
92-	7	9	21
92-	7	9B	21

